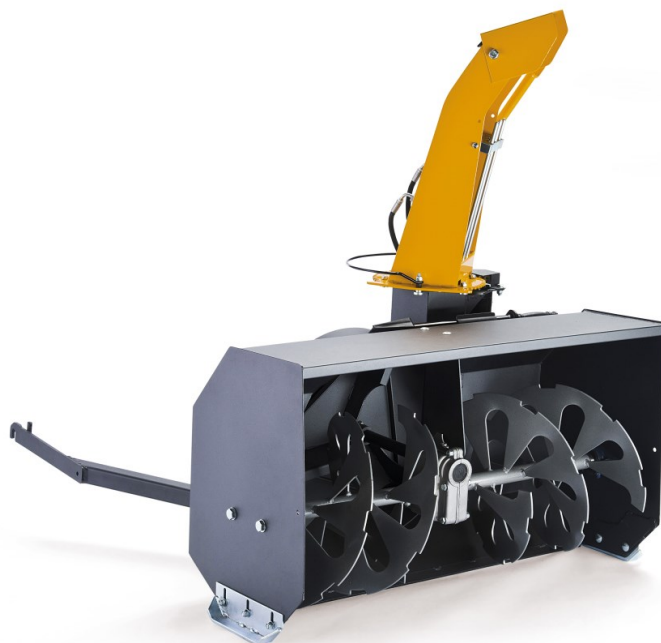


STIGA

Snow thrower 2-stage Hydraulic (2019)

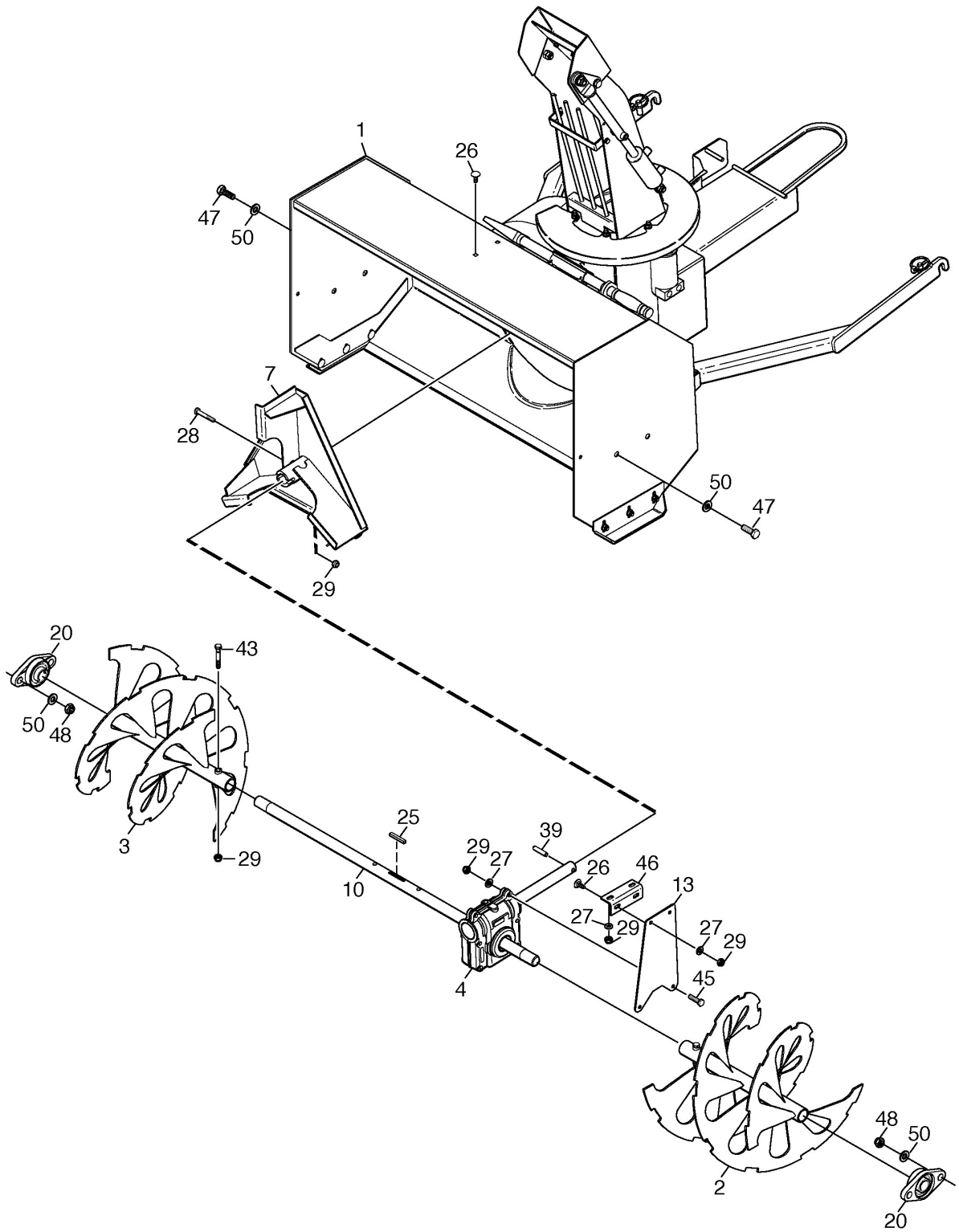
13-3930-11



Spare parts list Reservdelar Repuestos Ersatzteile Pièces détachées Reserve onderdelen Catalogo ricambi

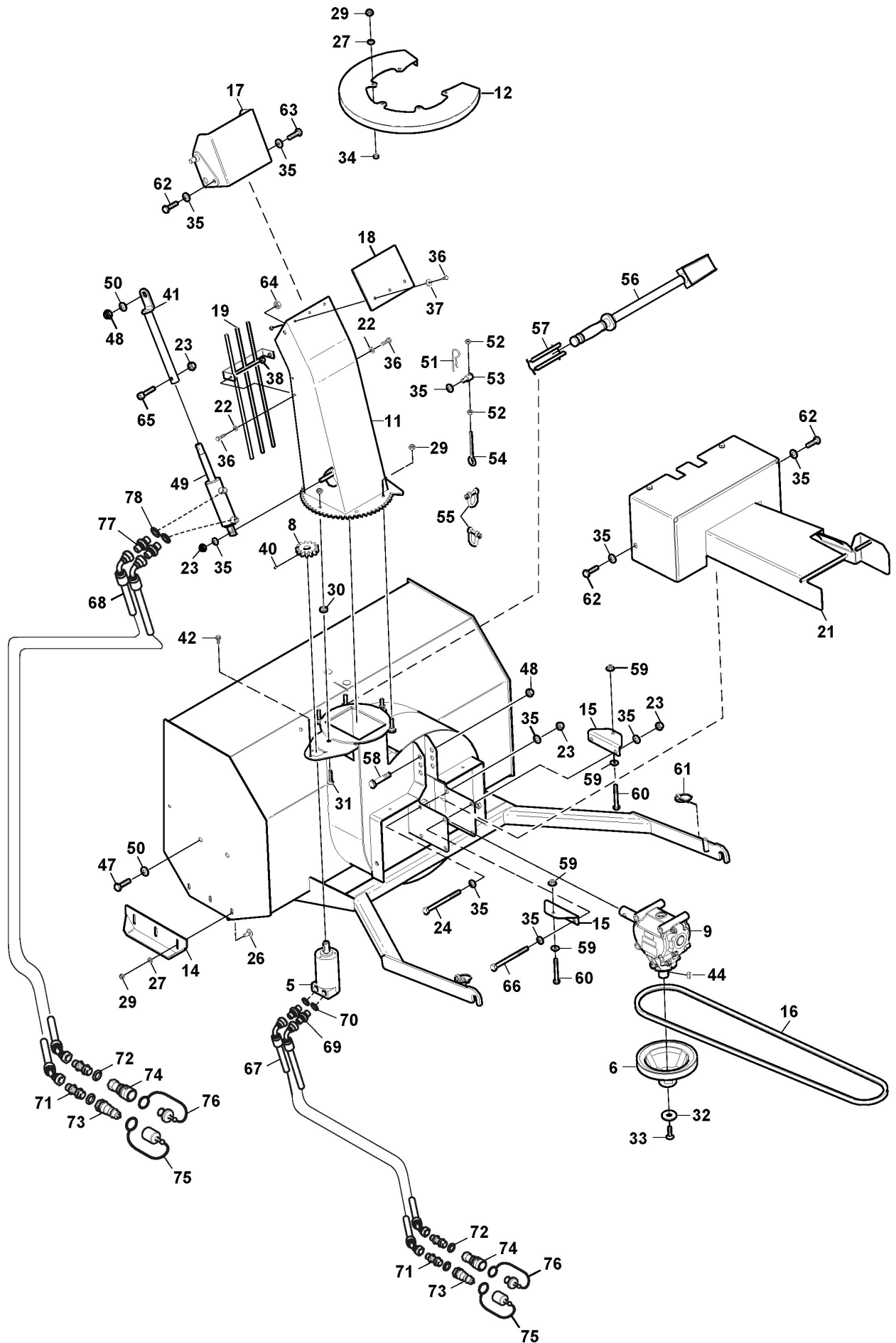
- Use ST. S.p.A. Genuine Spare Parts specified in the parts list for repair and/or replacement.
- The contents described in the parts list may change due to improvement.
- The drawings of the spare parts are only indicative And might Not represent the part in question exactly.
- The indications "right" - "left" - "front" - "rear" refer to the position of the operator when using the machine.
- When placing orders of parts for repair And/Or replacement, make sure that the illustrated parts list Is the one applying to the machine's year of manufacture, as shown on the identification plate attached to the machine.

All rights reserved. No part Of this material may be reproduced Or transmitted, in any form Or by any means, electronic Or mechanical, including photocopying, recording Or by any information storage And retrieval system, without permission in writing from ST. S.p.A.



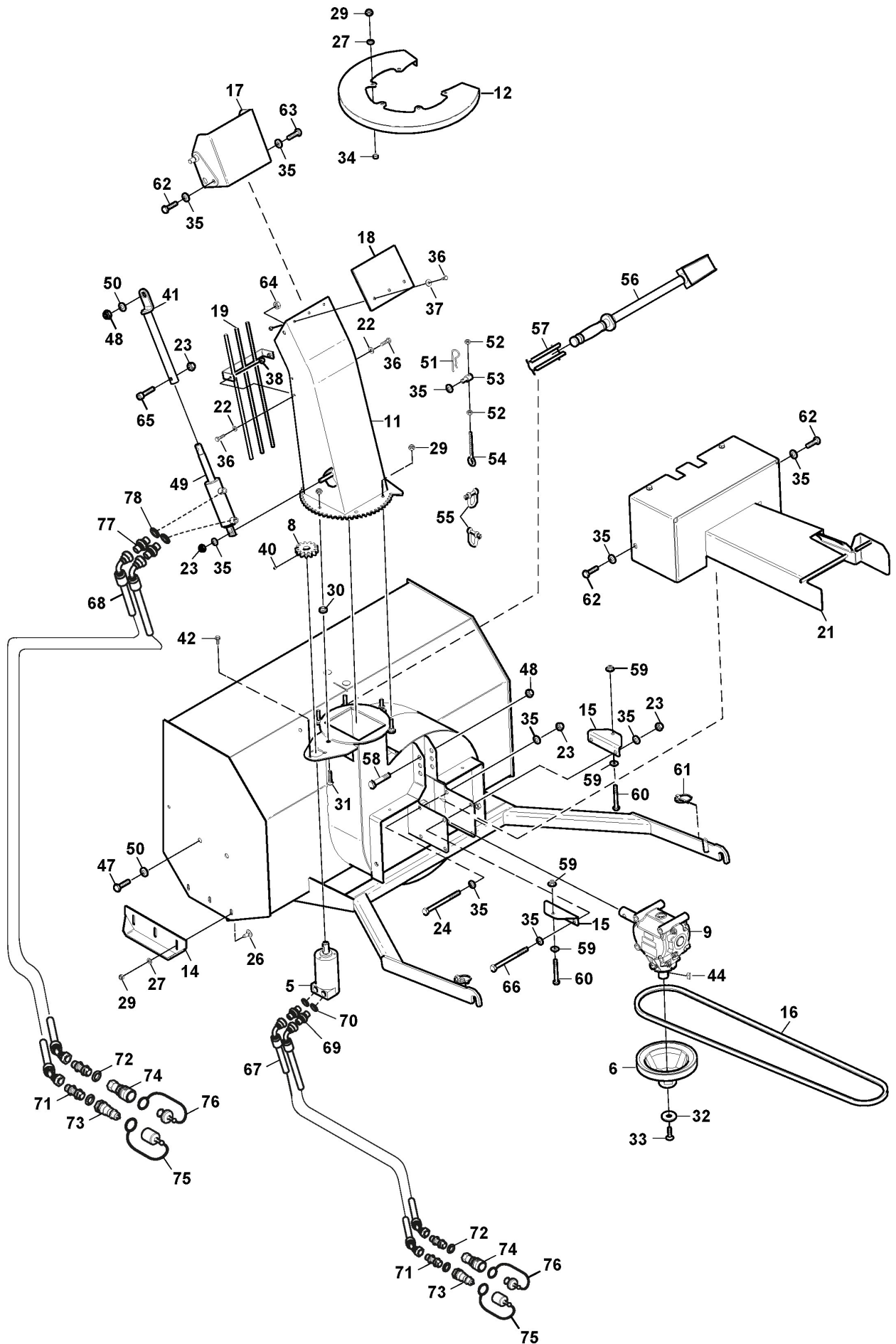
SnowThrower

Ref.nr.	Antal	Komponentkode	Beskrivelse	Noter	From	Op til
1	1	1319-2340-01	Frame			
2	1	1319-2341-01	Auger-Lh			
3	1	1319-2342-01	Auger-Rh			
4	1	1319-1968-01	Spiral Gearbox 5:1			
7	1	1319-2343-01	Impeller			
10	1	1319-1958-01	Axel			
13	1	1319-2346-01	Mower support			
20	2	1319-1970-01	Flange Bearing			
25	1	1319-1967-01	Key			
26	10	9898-0820-16	Screw			
27	17	9699-0028-02	Washer			
28	1	9997-0850-16	Screw			
29	21	9747-0831-02	Lock Nut			
39	1	1319-1881-01	Spring Pin			
40	1	1319-1853-01	Screw			
43	2	1319-1963-01	Screw			
45	2	9997-0835-16	Screw			
46	1	1319-1955-01	Support			
47	4	9997-1245-12	Screw	Standard screw M12X45		
48	6	9747-1231-02	Nut			
50	9	9699-0037-02	Washer			



SnowThrower

Ref.nr.	Antal	Komponentkode	Beskrivelse	Noter	From	Op til
5	1	1319-2129-01	Hydraulic Motor			
6	1	1319-1924-01	Pulley			
8	1	1319-2125-01	Gear Wheel			
9	1	1319-1953-01	Gearbox 3,25:1			
11	1	1319-2344-01	Ejection chute			
12	1	1319-2345-01	Guard			
14	2	1319-1503-01	Skid Plate			
15	2	1319-2347-01	Mower deflector			
16	1	1134-9147-01	V-Belt	4WD models; Service code for Belt: 9585-0197-01		
16	1	9585-0197-01	V-Belt	Replaced by Service Code: 1134-9147-01		
17	1	1319-2348-01	Chute			
18	1	1319-1524-01	Rubber			
19	1	1319-1893-01	Discharge Guard			
21	1	1319-2349-01	Belt			
22	2	9699-0025-02	Washer			
23	6	9747-1031-02	Lock Nut			
24	2	9997-1012-02	Screw			
27	17	9699-0028-02	Washer			
29	21	9747-0831-02	Lock Nut			
30	5	1319-1966-01	Collar			
31	5	112691115/0	Screw			
32	1	1319-1879-01	Washer			
33	1	1319-1883-01	Screw			
34	5	1319-1701-01	Collar Steel		From	
34	5	1319-2350-01	Spacer		21-March-2019	To 31-March-2019
35	14	9699-0035-02	Washer			
36	5	112791200/1	Screw			
37	3	9699-0085-02	Washer			
38	5	9747-0631-02	Lock Nut			
41	1	1319-2351-01	Tube			
42	3	112791213/1	Screw			
44	1	1319-1884-01	Key			
49	1	1137-0071-01	Hydraulic Cylinder			
50	9	9699-0037-02	Washer			
51	1	9598-0003-02	Spring Pin			
52	2	9799-0831-02	Nut			
53	1	1134-0576-02	Pin			
54	1	9405-0031-00	Eye-Bolt			
55	1	1134-2629-01	Lift Link			
56	1	1319-2085-01	Cleaning Stick			
57	1	1319-2086-01	Bracket			
58	1	112692695/0	Screw			
59	4	112293201/0	Nut			
60	2	9997-0870-16	Screw			
61	3	1319-2319-01	Pin	Standard pin 4.5 x 39		
62	3	9997-1030-16	Screw			
63	1	9997-1025-16	Screw			



SnowThrower

Ref.nr.	Antal	Komponentkode	Beskrivelse	Noter	From	Op til
64	2	9747-1031-02	Lock Nut			
65	1	1319-2352-01	Screw			
66	2	1319-1882-01	Screw			
67	2	118890129/0	Hydraulic Tube 1/4"	1/4" - L 550		
68	1	118890130/0	Hydraulic Tube 1/4"	1/4" - L 850		
69	2	1319-2201-01	Adaptor 1/4-3/8			
70	2	1319-2196-01	Seal 3/8			
71	2	112375001/0	Tube Connection			
72	2	1134-4948-01	Washer			
73	2	1134-6042-01	Quick Coupling-Male			
74	2	1134-7172-01	Quick Connector-Female 1/4			
75	2	1134-7175-01	Plastic Cap			
76	2	1134-7173-01	Plastic Plug			
77	2	1134-4824-01	Adapter			
78	2	118890131/0	Seal 1/8"			
79	1	118890132/0	Hydraulic Tube 1/4"	1/4" - L 980		