

# STIGA

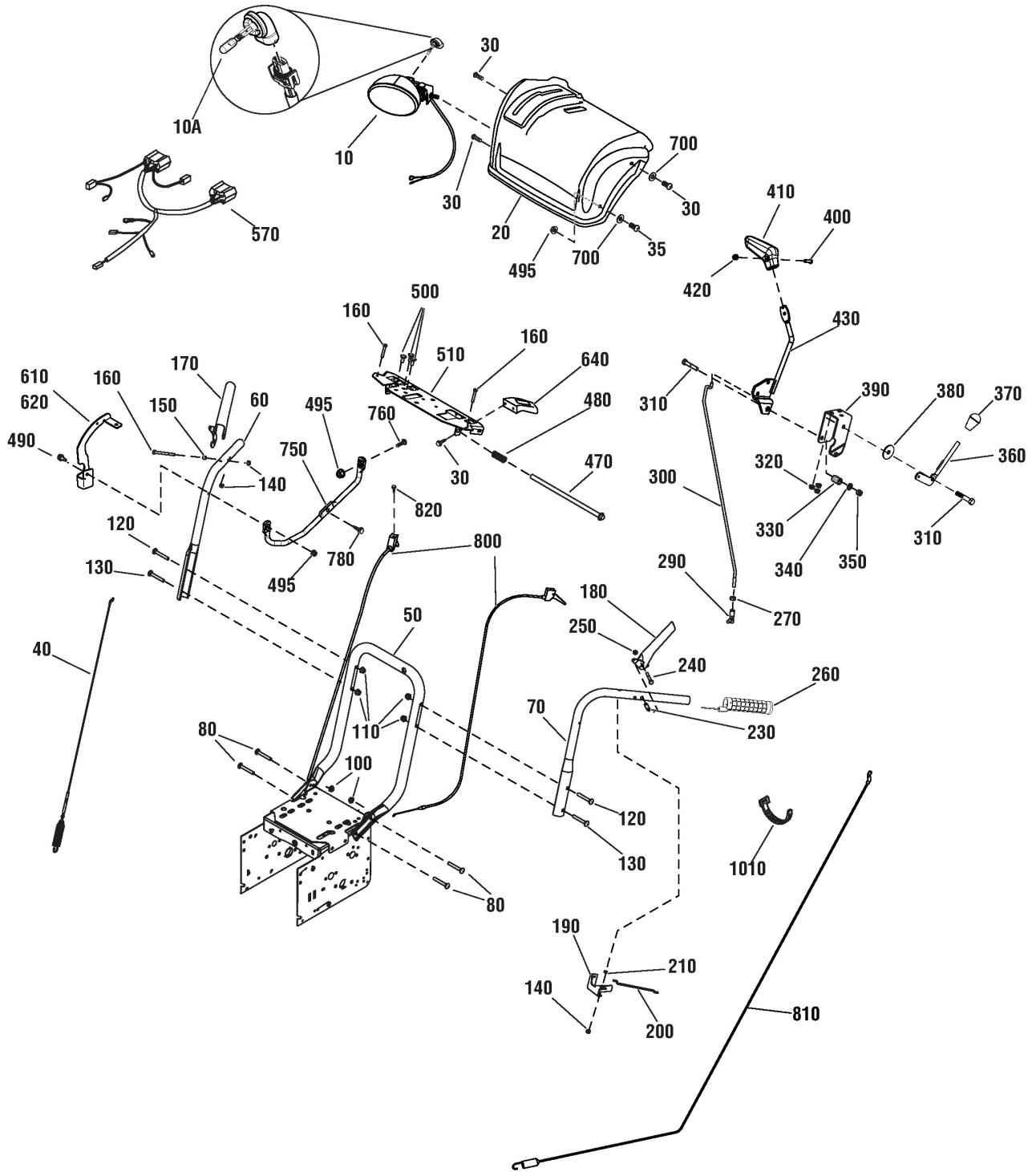
## SNOW FLAKE (2013)

18-2829-32

### Spare parts list Reservdelar Repuestos Ersatzteile Pièces détachées Reserve onderdelen Catalogo ricambi

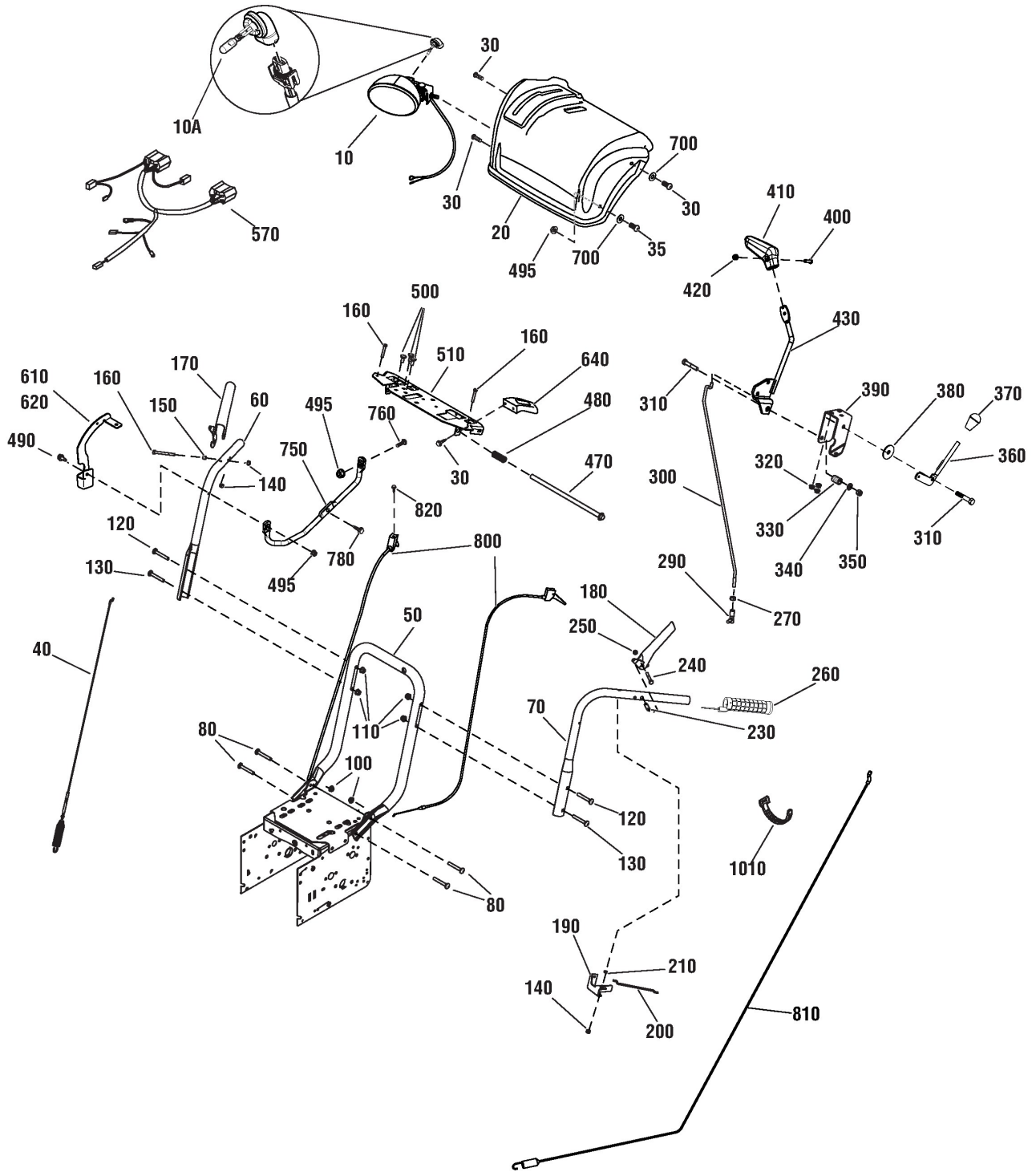
- Use ST. S.p.A. Genuine Spare Parts specified in the parts list for repair and/or replacement.
- The contents described in the parts list may change due to improvement.
- The drawings of the spare parts are only indicative And might Not represent the part in question exactly.
- The indications "right" - "left" - "front" - "rear" refer to the position of the operator when using the machine.
- When placing orders of parts for repair And/Or replacement, make sure that the illustrated parts list Is the one applying to the machine's year of manufacture, as shown on the identification plate attached to the machine.

All rights reserved. No part Of this material may be reproduced Or transmitted, in any form Or by any means, electronic Or mechanical, including photocopying, recording Or by any information storage And retrieval system, without permission in writing from ST. S.p.A.



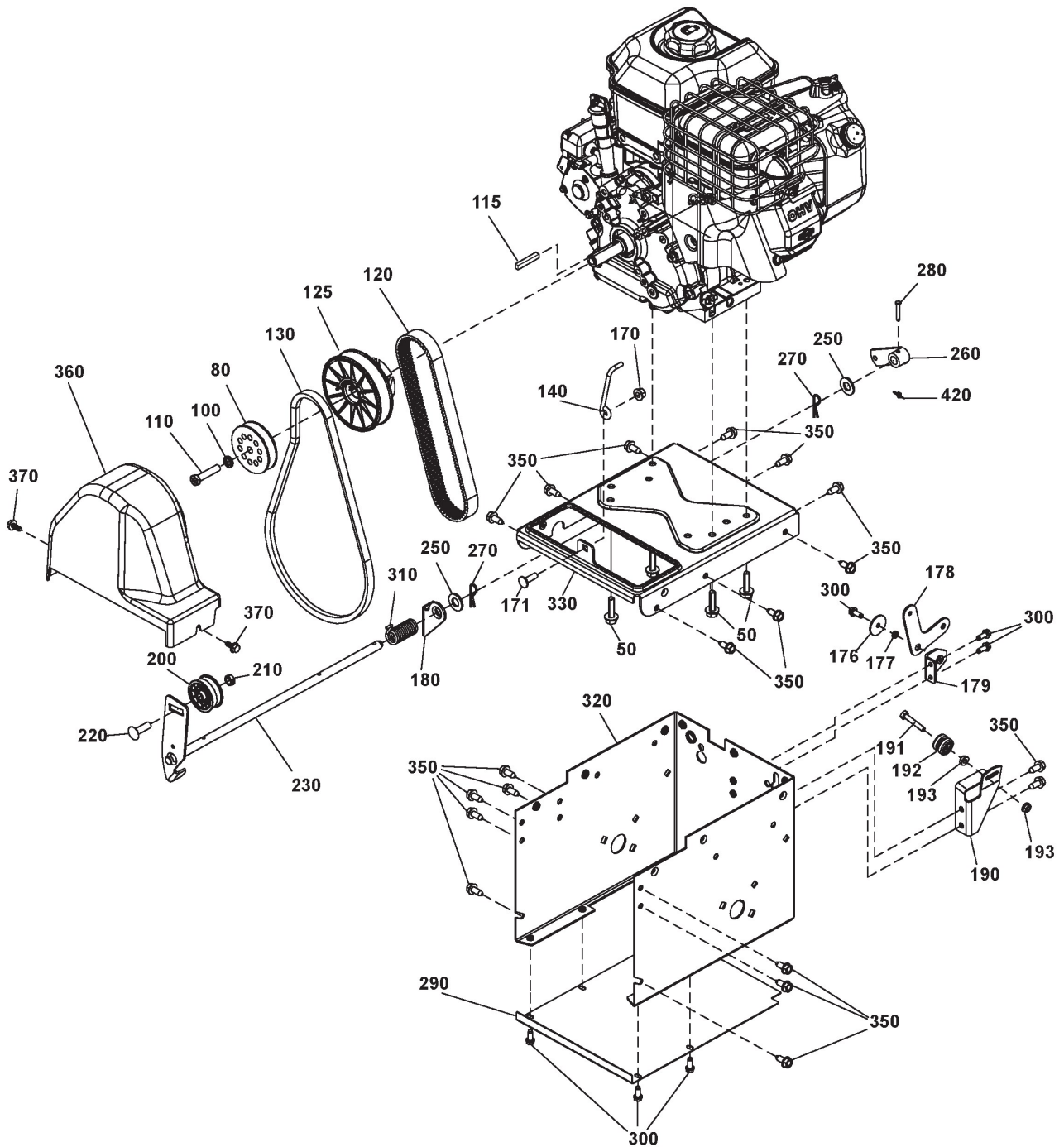
## Handle, controls

Ref.nr.	Antal	Komponentkode	Beskrivelse	Noter	From	Op til
10	1	1812-1909-01	Halogen lamp	12V - 27W (Type H27W/2)		
10	1	1812-2548-01	Headlight Assy			
20	1	1812-2628-01	Cover, Panel			
30	6	1812-2644-01	Screw			
35	1	1812-2265-01	Screw			
40	1	1812-2542-01	Cable, Auger Drive			
50	1	1812-2519-01	Handle Lower Part			
60	1	1812-2540-01	Upper Handle RH			
70	1	1812-2541-01	Upper Handle LH			
80	4	1812-2545-01	Bolt			
100	4	9795-3631-02	Nut			
110	6	9743-3621-32	Nut			
120	2	1812-2479-01	Carriage Bolt			
130	2	1812-2476-01	Carriage Bolt			
140	4	9743-3521-32	Nut			
150	2	1812-2148-01	Spacer			
160	4	9988-3545-12	Screw			
170	1	1812-2606-01	Lever, Clutch Rh			
180	1	1812-2605-01	Lever, Clutch Lh			
190	1	1812-2231-01	Bracket			
200	1	1812-2404-01	Hold Down Rod			
210	1	1812-2206-01	Spacer			
230	2	1812-2412-01	Spacer			
240	2	1812-2623-01	Shoulder bolt			
250	2	1812-2256-01	Nut			
260	2	1812-2351-01	Hand Grip			
270	1	9794-5131-02	Nut			
290	1	1812-2562-01	Ball Joint			
300	1	1812-2529-01	Rod, Speed Select			
310	2	9988-3751-12	Screw			
320	3	9727-3641-22	Nut			
330	2	1812-0304-01	Spring			
340	2	9699-0029-02	Washer			
350	2	9743-3721-32	Nut			
360	1	1812-2180-01	Chute Lever		From 01-Septem ber-2011	To 31-August- 2012
360	1	1812-2725-01	Lever, Deflector control			
370	1	1812-2182-01	Knob			
380	1	1812-2648-01	Spacer			
390	1	1812-2417-01	Controls Bracket			
400	1	1812-2481-01	Screw			
410	1	1812-2379-01	Knob			
420	2	1812-2256-01	Nut			
430	1	1812-2511-01	Speed Lever			
470	1	1812-2233-01	Rod		From 01-Septem ber-2012	To 31-August- 2013
470	1	1812-2718-01	Rod & Spring			
480	1	1812-2268-01	Spring			
490	2	9988-3545-12	Screw			
495	4	9743-3521-32	Nut			



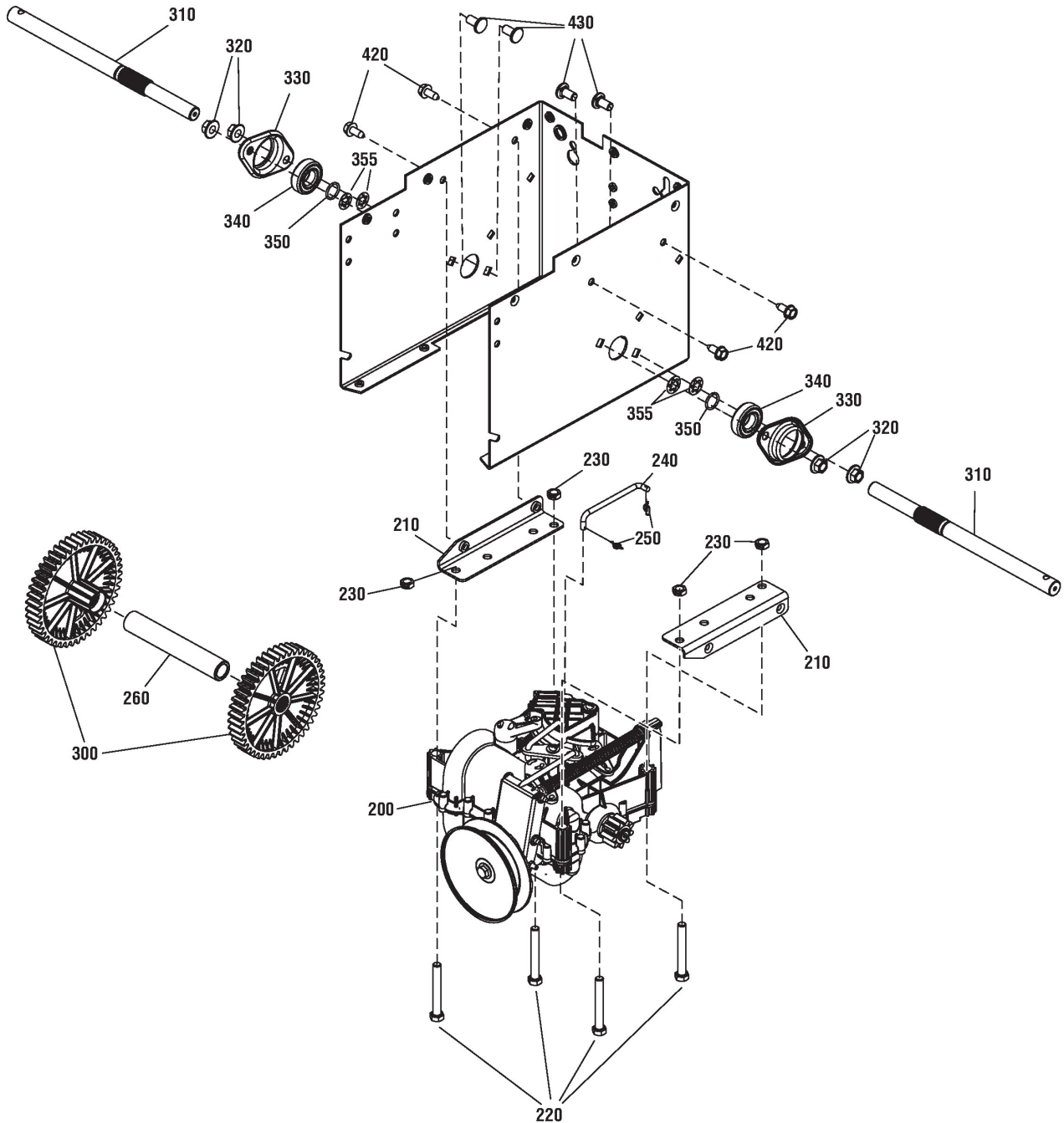
## Handle, controls

Ref.nr.	Antal	Komponentkode	Beskrivelse	Noter	From	Op til
500	3	9899-3625-16	Screw			
510	1	1812-2575-01	Support, Dashboard			
570	1	1812-2632-01	Wiring harness			
610	1	1812-2621-01	Bracket, Mounting Rh			
620	1	1812-2620-01	Bracket, Mounting Lh			
640	1	1812-2573-01	Pod-Rh, Chute Rotation			
700	3	9699-0026-02	Washer			
750	1	1812-2543-01	Brace, Shift			
760	1	1812-2486-01	Carriage Bolt			
780	1	1812-2474-01	Screw			
800	2	1812-2538-01	Cable, Steering Control			
810	1	1812-2539-01	Cable Rear Drive			
820	2	1812-2650-01	Screw			
1010	4	9579-0003-00	Cable Holder			



# Engine, belts

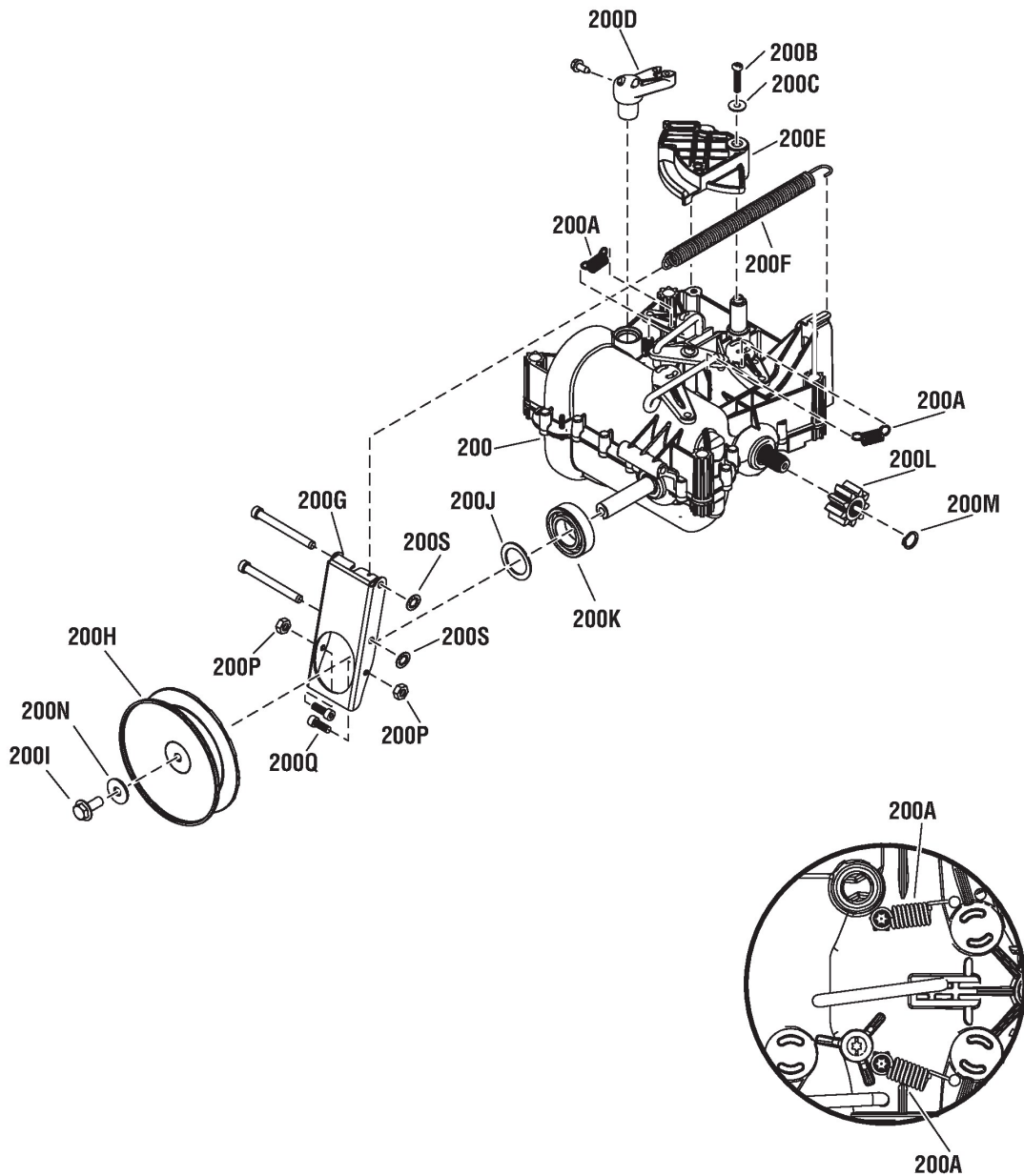
Ref.nr.	Antal	Komponentkode	Beskrivelse	Noter	From	Op til
50	4	9955-3732-12	Screw			
80	1	1812-2537-01	Pulley			
100	1	9683-0030-02	Washer	5/16"		
100	1	9683-0035-02	Washer	3/8"		
110	1	9987-5145-12	Screw	5/16-24 x 1-3/4"		
110	1	9987-5245-12	Screw	3/8-24 x 1-3/4"		
115	1	1812-2645-01	Key			
120	1	1812-2515-01	Belt			
125	1	1812-2507-01	Pulley			
130	1	1812-9020-01	Belt			
140	1	1812-2532-01	Belt Stop			
170	1	9795-3631-02	Nut			
171	1	9899-3625-16	Screw			
176	1	1812-2643-01	Washer			
177	1	1812-2206-01	Spacer			
178	1	1812-2527-01	Bell Crank			
179	1	1812-2526-01	Lower Bracket			
180	1	1812-2522-01	Support Bracket, Auger Idler			
190	1	1812-2530-01	Bracket			
191	1	9988-3538-12	Screw			
192	1	1812-1205-01	Spool			
193	2	9743-3521-32	Nut			
200	1	1812-2077-01	Tension Roller			
210	1	9743-3721-32	Nut			
220	1	9899-3732-16	Screw			
230	1	1812-2521-01	Auger idler			
250	2	9699-0038-02	Washer			
260	1	1812-2308-01	Control Arm			
270	2	1812-2490-01	Hair Pin			
280	1	1812-2407-01	Clevis Pin			
290	1	1812-2516-01	Panel, Bottom			
300	7	1812-2250-01	Screw			
310	1	1812-2531-01	Spring, Torsional			
320	1	1812-2514-01	Frame Box			
330	1	1812-2520-01	Engine mount plate		From 01-Septem ber 2011	To 31-August- 2012
330	1	1812-2737-01	Engine mount plate		From 01-Septem ber 2011	To 31-August- 2012
350	19	1812-2141-01	Screw			
360	1	1812-2622-01	Cover, Belt			
370	2	1812-2474-01	Screw		From 01-Septem ber 2011	To 31-August- 2012
370	2	1812-2748-01	Screw		From 01-Septem ber 2011	To 31-August- 2012
420	1	1812-2281-01	Cotter Pin			





## Drive

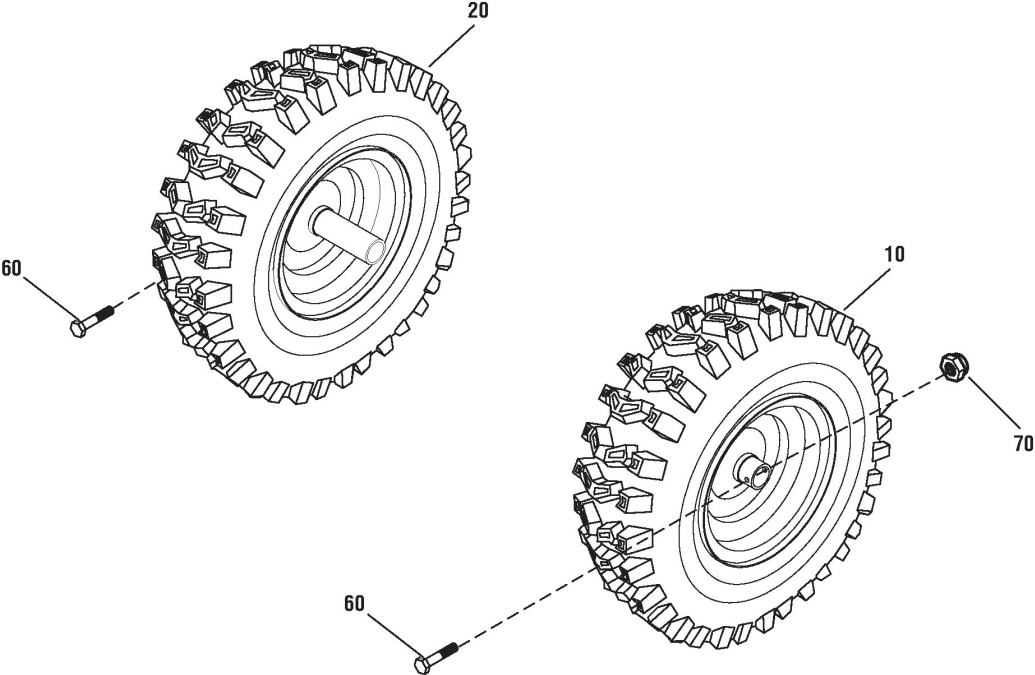
Ref.nr.	Antal	Komponentkode	Beskrivelse	Noter	From	Op til
200	1	1812-2508-01	Transmission Assy			
210	2	1812-2518-01	Bracket			
220	4	1812-2658-01	Screw			
230	4	9743-3721-32	Nut			
240	1	1812-2528-01	Rod, Speed Select			
250	2	1812-2281-01	Cotter Pin			
260	1	1812-2524-01	Support Tube			
300	2	1812-2525-01	Gear, Drive			
310	2	1812-2523-01	Axle			
320	4	1132-0695-01	Nut			
330	2	1812-2408-01	Bearing Retainer			
340	2	1812-1920-01	Ball Bearing			
350	2	1812-2546-01	Retaining ring			
355	4	1812-2647-01	Bolt			
420	4	1812-2141-01	Screw			
430	4	1812-2544-01	Bolt			



2777

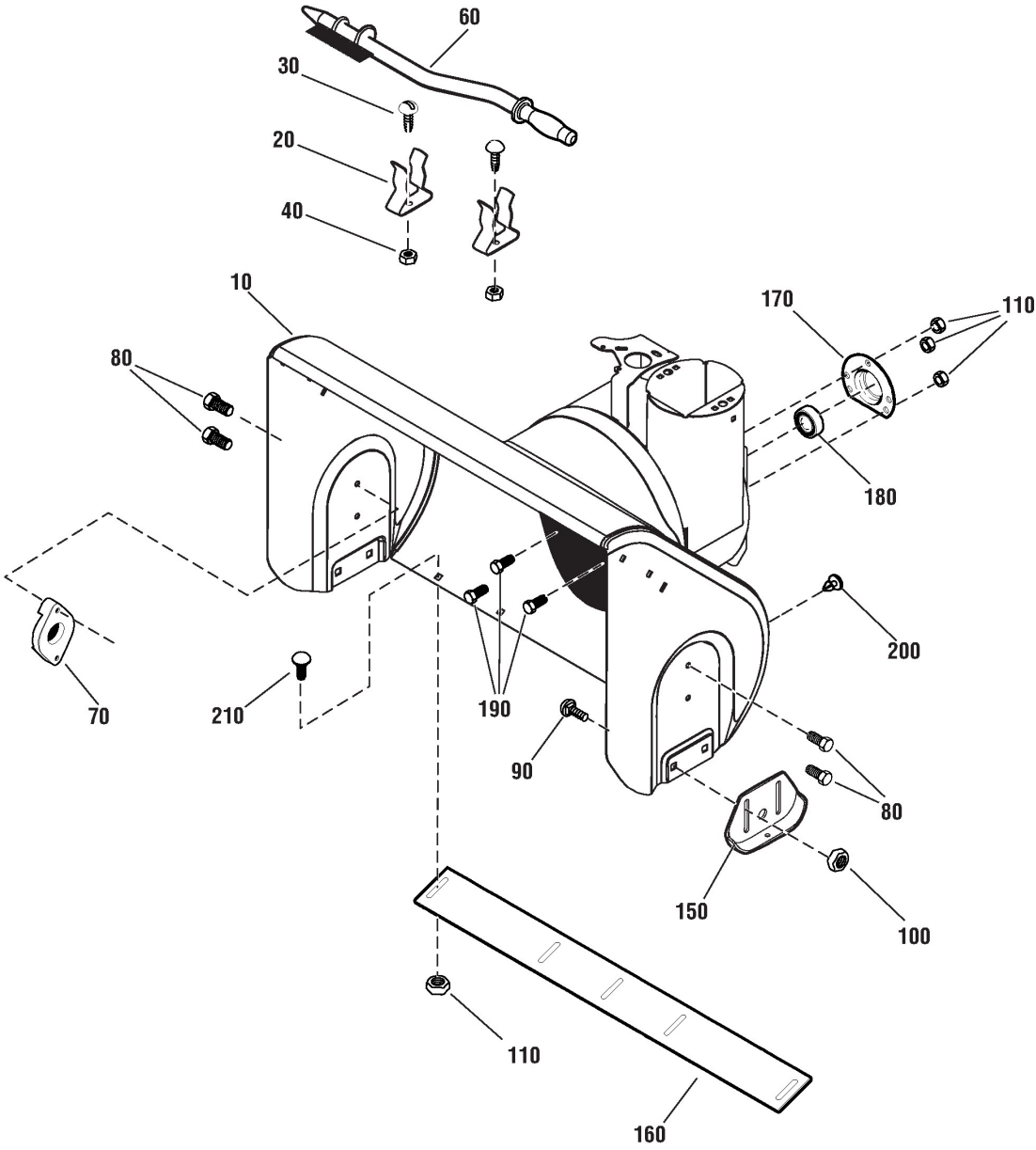
## Transmission unit

Ref.nr.	Antal	Komponentkode	Beskrivelse	Noter	From	Op til
200	1	1812-2508-01	Transmission Assy			
200I	1	1812-2580-01	Screw			
200N	1	1812-2581-01	Washer			
200H	1	1812-2582-01	Pulley			
200G	1	1812-2583-01	Shift arm			
200P	2	1812-2584-01	Nut			
200Q	2	1812-2585-01	Bolt			
200S	4	1812-2587-01	Starlock			
200J	1	1812-2588-01	Washer			
200K	1	1812-2589-01	Bearing			
200F	1	1812-2590-01	Spring			
200D	1	1812-2592-01	Lever			
200E	1	1812-2594-01	Cam, Control			
200B	1	1812-2595-01	Screw			
200A	2	1812-2596-01	Traction spring			
200	2	1812-2597-01	Retainer, Gear			
200L	2	1812-2598-01	Gear			
200C	1	2312150	Washer	(1812-2591-01)		



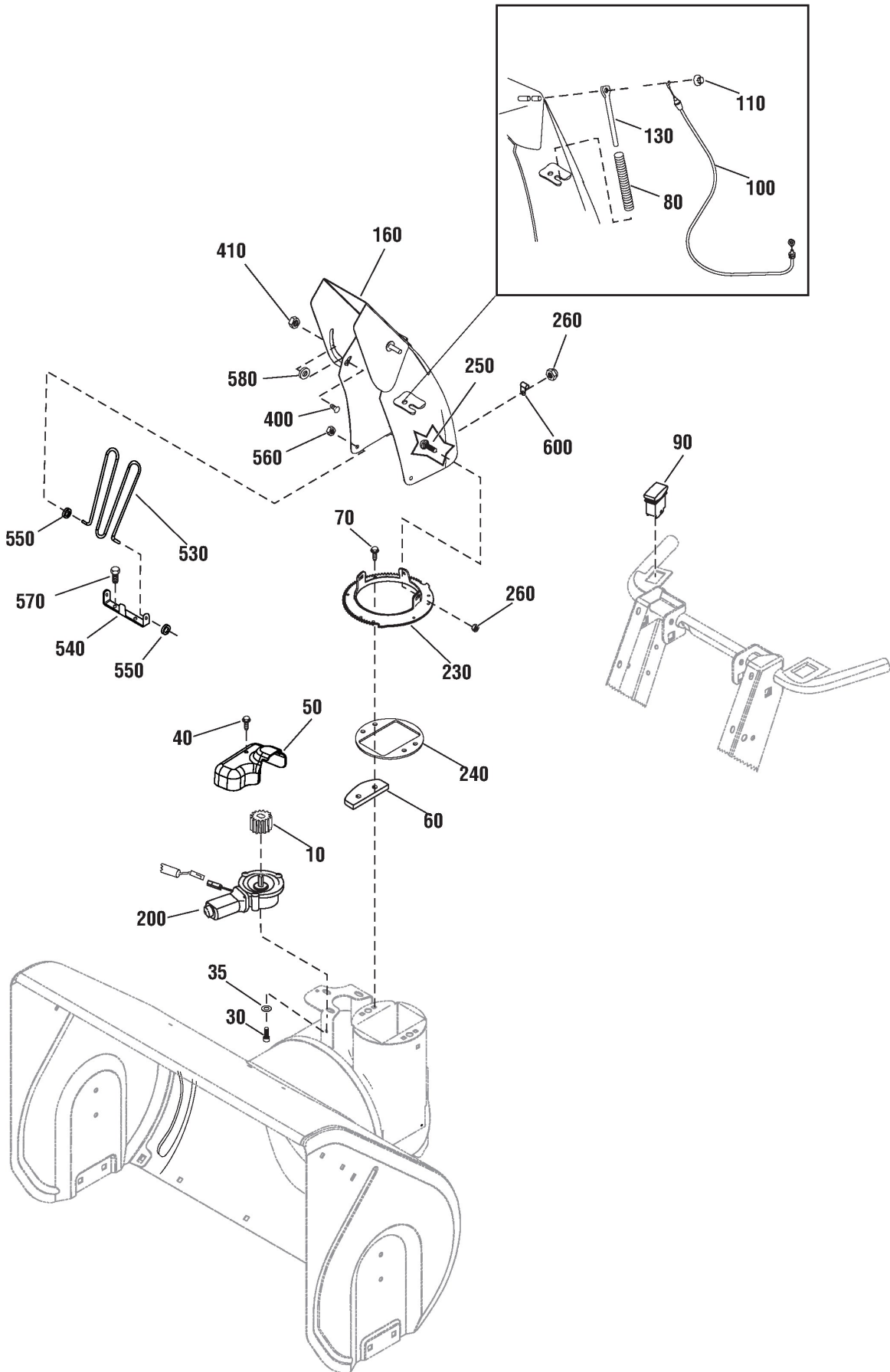
## Wheels

Ref.nr.	Antal	Komponentkode	Beskrivelse	Noter	From	Op til
10	1	1812-2633-01	Wheel & Tire Assy Lh			To
10	1	1812-3077-01	Wheel		From	31-August-2012
20	1	1812-2634-01	Wheel & Tire Assy Rh			To
20	1	1812-3078-01	Wheel		From	31-August-2012
60	2	9988-3545-12	Screw			
70	2	1812-1760-01	Nut			



## Auger housing

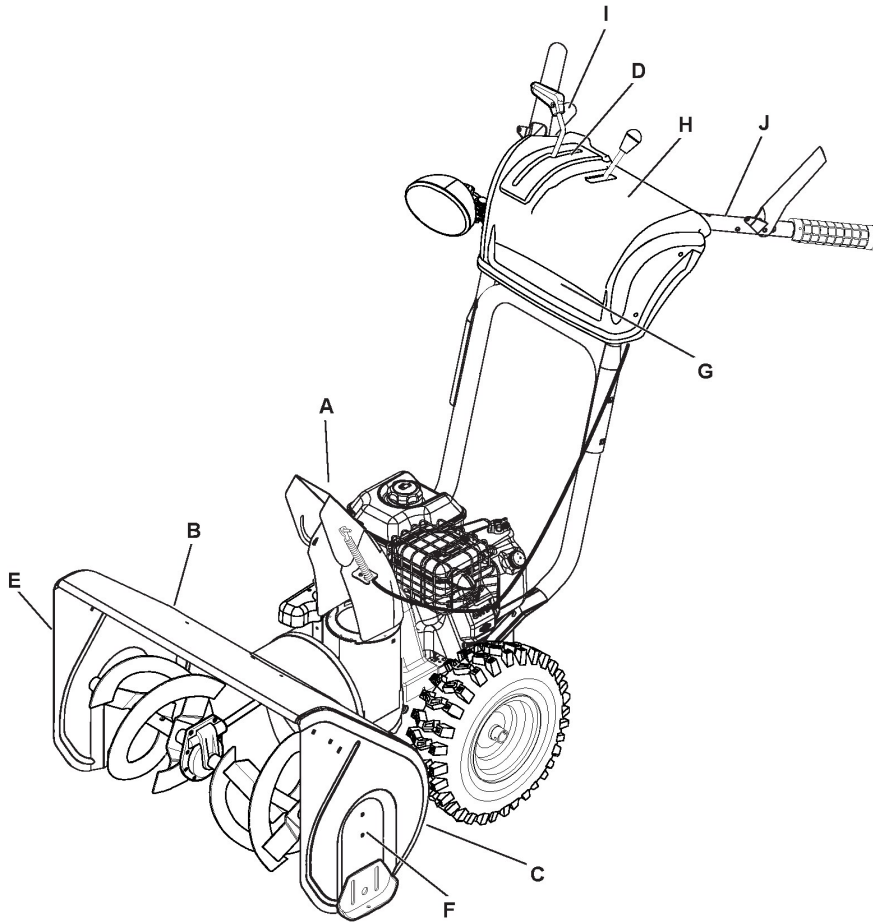
Ref.nr.	Antal	Komponentkode	Beskrivelse	Noter	From	Op til
10	1	1812-2547-01	Auger Housing	29" (74 cm)		To
10	1	1812-2720-01	Auger housing	29" (74 cm)	From	31-August-
10	1	1812-3127-01	Auger Hausing 29"	29" (74 cm)	From	2012
20	2	1812-2413-01	Spring Clamp		01-Septem	
30	2	1812-2480-01	Screw		ber-2013	
40	2	1812-2655-01	Nut			
60	1	1812-2400-01	Cleanout Brush			
70	2	1812-0347-01	Bearing			
80	4	1812-1833-01	Screw			
90	4	1812-2487-01	Carriage Bolt			
100	4	9743-3721-32	Nut			
110	7	9795-3631-02	Nut			
150	2	1812-2425-01	Height Adjust Skid		From	To
150	2	1812-2466-01	Skid Shoe		01-Septem	31-August-
160	1	1812-2436-01	Scraper Blade	29"	ber-2011	2012
170	1	1812-1690-01	Ball Bearing Retainer			
180	1	1812-2373-01	Ball Bearing			
190	3	9899-3622-16	Screw			
200	2	1812-1430-01	Plug			
210	4	1812-2485-01	Carriage Bolt			






# Chute


Ref.nr.	Antal	Komponentkode	Beskrivelse	Noter	From	Op til
10	1	1812-2375-01	Pinion			
30	3	1812-2741-01	Screw			
35	3	9699-0099-02	Washer			
40	1	1812-2474-01	Screw			
50	1	1812-2415-01	Cover			
60	3	1812-2280-01	Retainer			
70	6	1812-2257-01	Screw			
80	1	1812-2509-01	Spring			
90	1	1812-2533-01	Wire harness adaptor kit, chute rotation			
100	1	1812-2626-01	Cable, Deflector Control			
110	1	1812-2255-01	Nut			
130	1	1812-2510-01	Rod, Spring Guide			
160	1	1812-2535-01	Chute			
200	1	1812-2374-01	Motor, Spout Rotator		From	To
200	1	1812-2735-01	Motor-spout rotator		From	To
230	1	1812-2536-01	Gear, Chute		01-September-2012	31-August-2013
240	1	1812-2534-01	Adapter-chute ring			
250	4	1812-1831-01	Screw			
260	4	9795-3531-02	Nut			
400	1	9899-3625-16	Screw			
410	1	9743-3621-32	Nut			
530	1	1812-2381-01	Chute Guard			
540	1	1812-2416-01	Chute Guard Bracket			
550	2	1812-2426-01	Grommet			
560	2	1812-2478-01	Nut			
570	2	1812-2473-01	Screw			
580	1	1812-2278-01	Washer			
600	1	1812-2565-01	Cable clip			




1



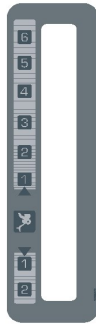
A



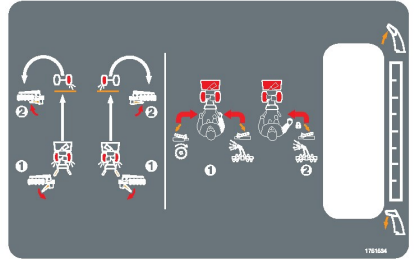
I




J




D




H




B




E



F



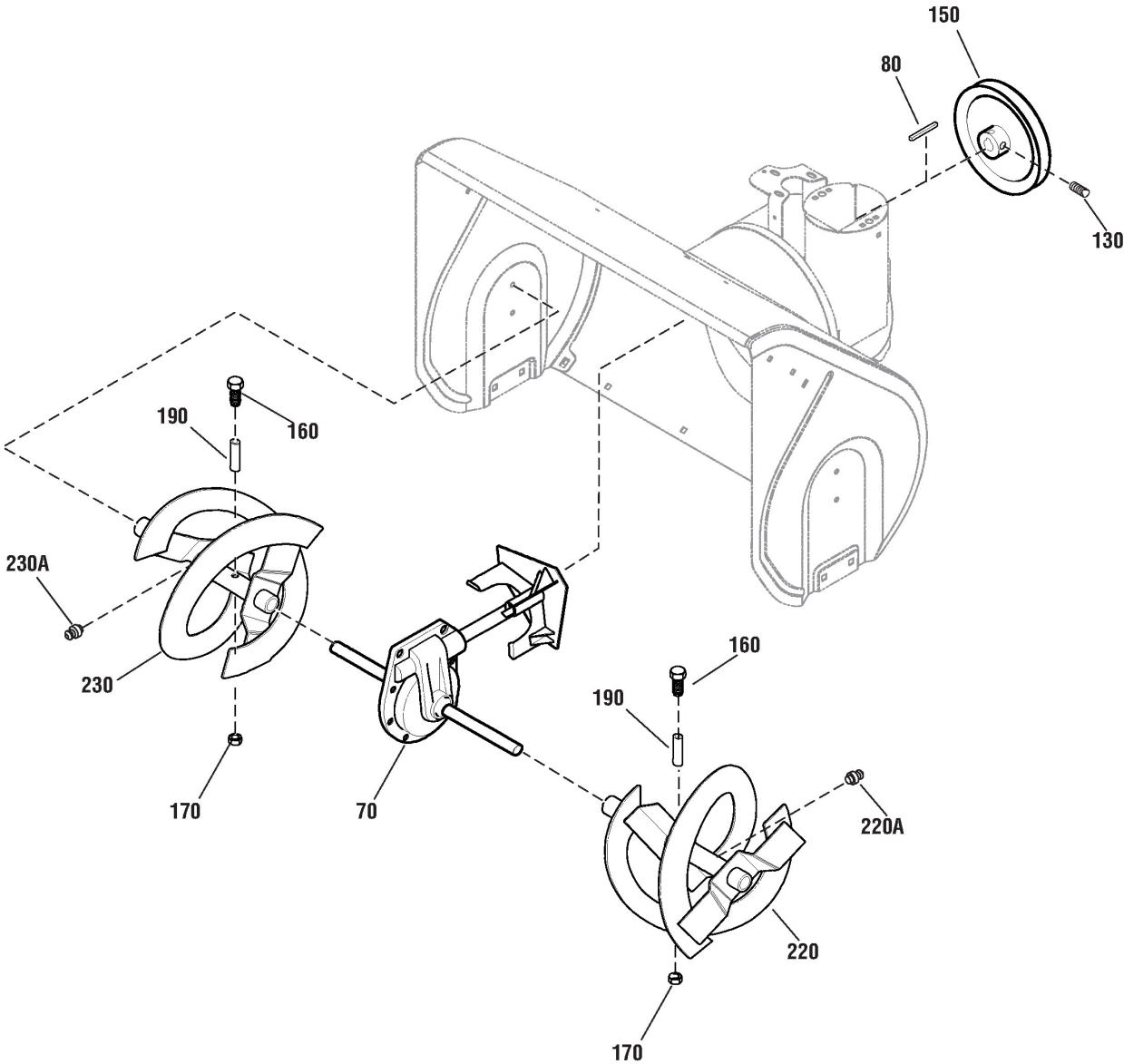
G



C

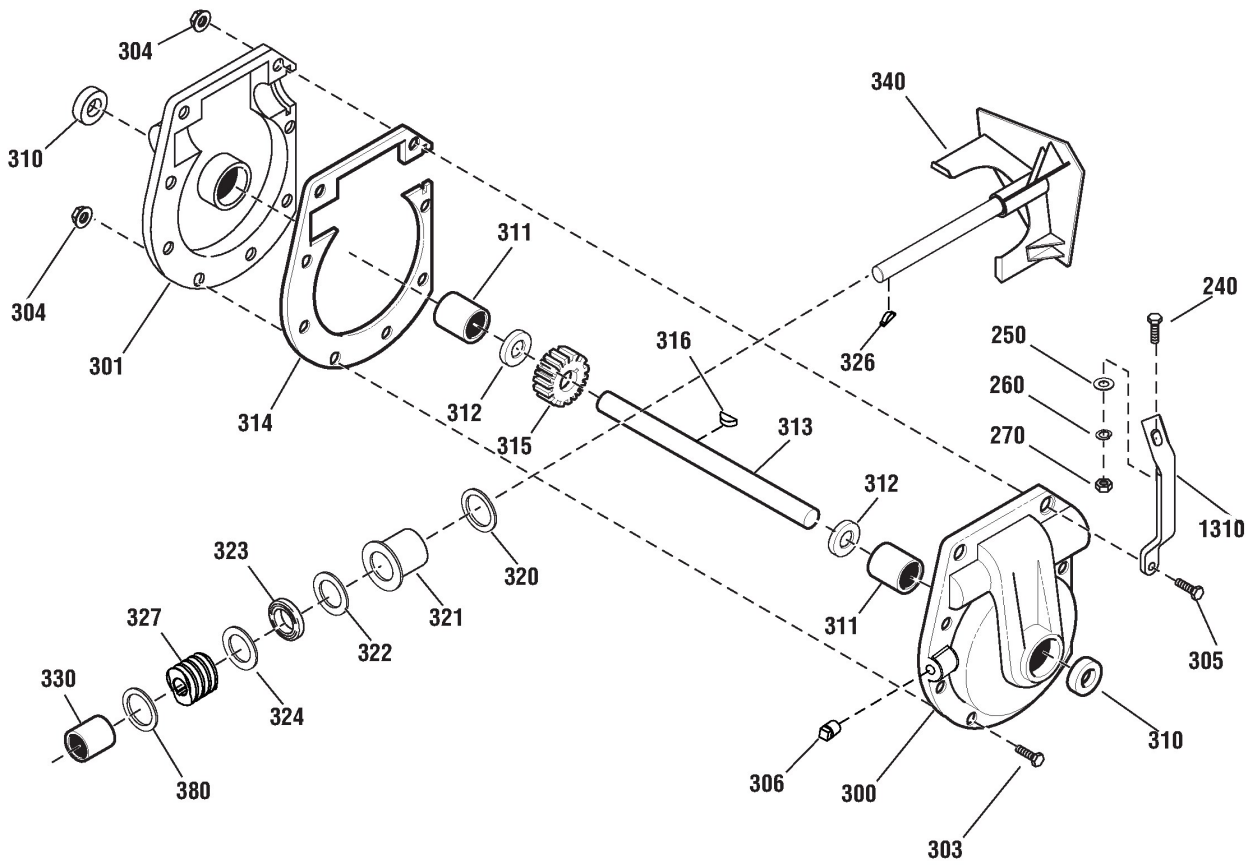
## Labels

Ref.nr.	Antal	Komponentkode	Beskrivelse	Noter	From	Op til
1	1	1812-2702-01	Label kit	Pos 40-230 incl.		



## Gear case, auger

Ref.nr.	Antal	Komponentkode	Beskrivelse	Noter	From	Op til
70	1	1812-2938-01	Gear case assy 29"	29"		
80	1	1812-1609-01	Key			
130	3	1812-2640-01	Screw			
150	1	1812-1854-01	Auger Pulley			
160	2	1812-9005-01	Shear Bolt Kit	Pos 170-190 incl.		
170	2	1812-0812-01	Nut	1/4"		
190	2	1812-0531-01	Spacer			
220	1	1812-2463-01	Auger-Lh	29"		
220A	1	1812-2491-01	Fitting Grease			
230	1	1812-2464-01	Auger-Rh	29"		
230A	1	1812-2491-01	Fitting Grease			



## Gear case

Ref.nr.	Antal	Komponentkode	Beskrivelse	Noter	From	Op til
300	1	1812-0227-01	Gear case LH			
301	1	1812-0228-01	Gear case RH			
303	7	9987-5125-16	Screw	L = 25 mm		
304	8	9743-5121-02	Nut			
305	1	9987-5145-12	Screw	L = 45 mm		
306	1	1812-0346-01	Oil Plug			
310	2	1812-0344-01	Ring			
311	2	1812-0343-01	Bearing			
312	2	1812-0345-01	Washer			
313	1	1812-1442-01	Auger Shaft	29"		
314	1	1812-0226-01	Gasket			
315	1	1812-2755-01	Worm gear			
316	1	1812-0409-01	Woodruff Key			
320	1	1812-0341-01	Ring			
321	1	1812-1259-01	Bearing Impeller Shaft			
322	1	1812-0857-01	Thrust Washer			
323	1	1812-0285-01	Needle Bearing			
324	2	1812-0857-01	Thrust Washer			
326	1	1812-0307-01	Key			
327	1	1812-0336-01	Gear			
330	1	1812-0297-01	Bearing			
340	1	1812-2756-01	Impeller			
380	1	1812-2757-01	Retaining ring			