

STIGA

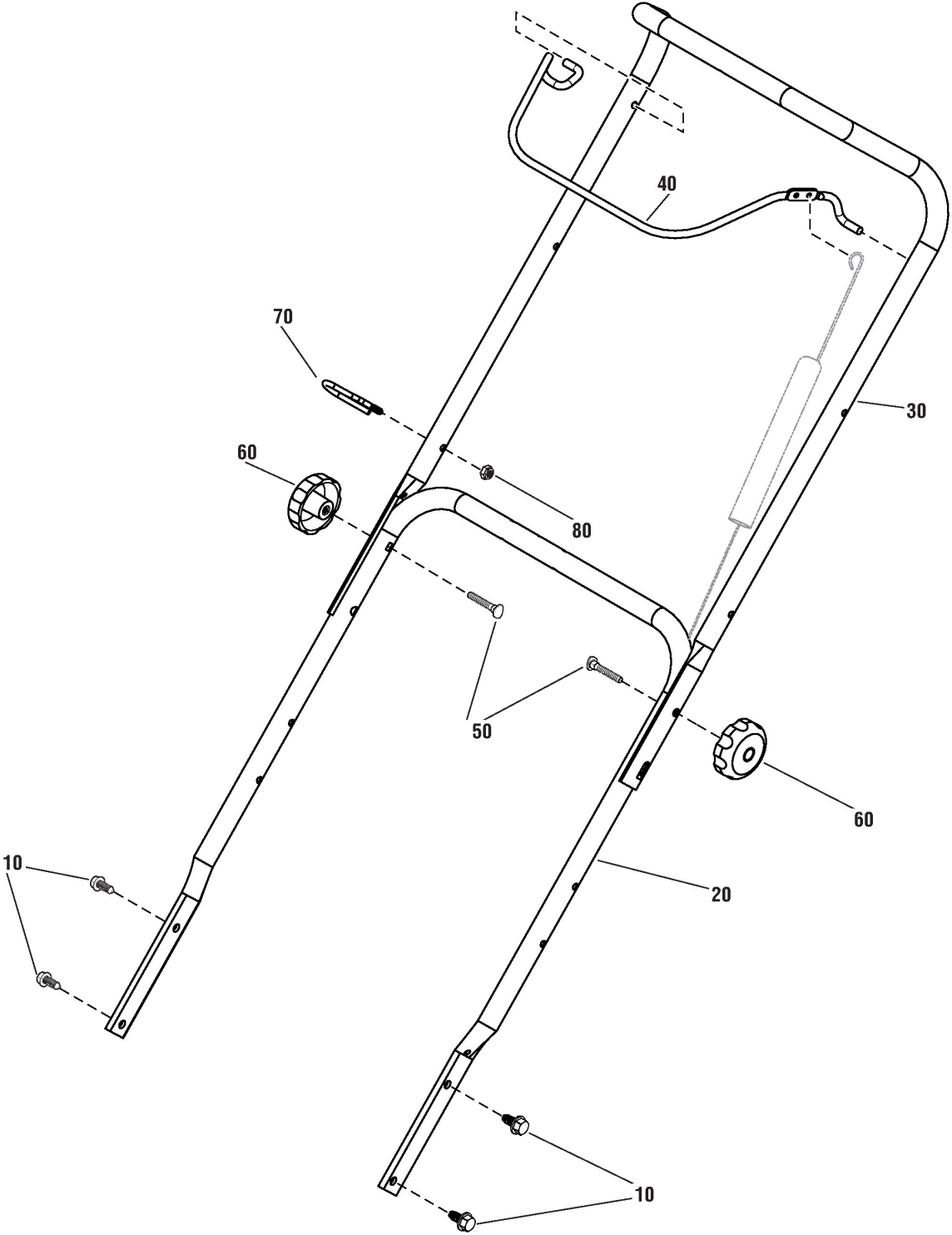
SNOW PRISMA BASIC (2019)

18-2815-31

Spare parts list **Reservdelar** **Repuestos** **Ersatzteile** **Pièces détachées** **Reserve onderdelen** **Catalogo ricambi**

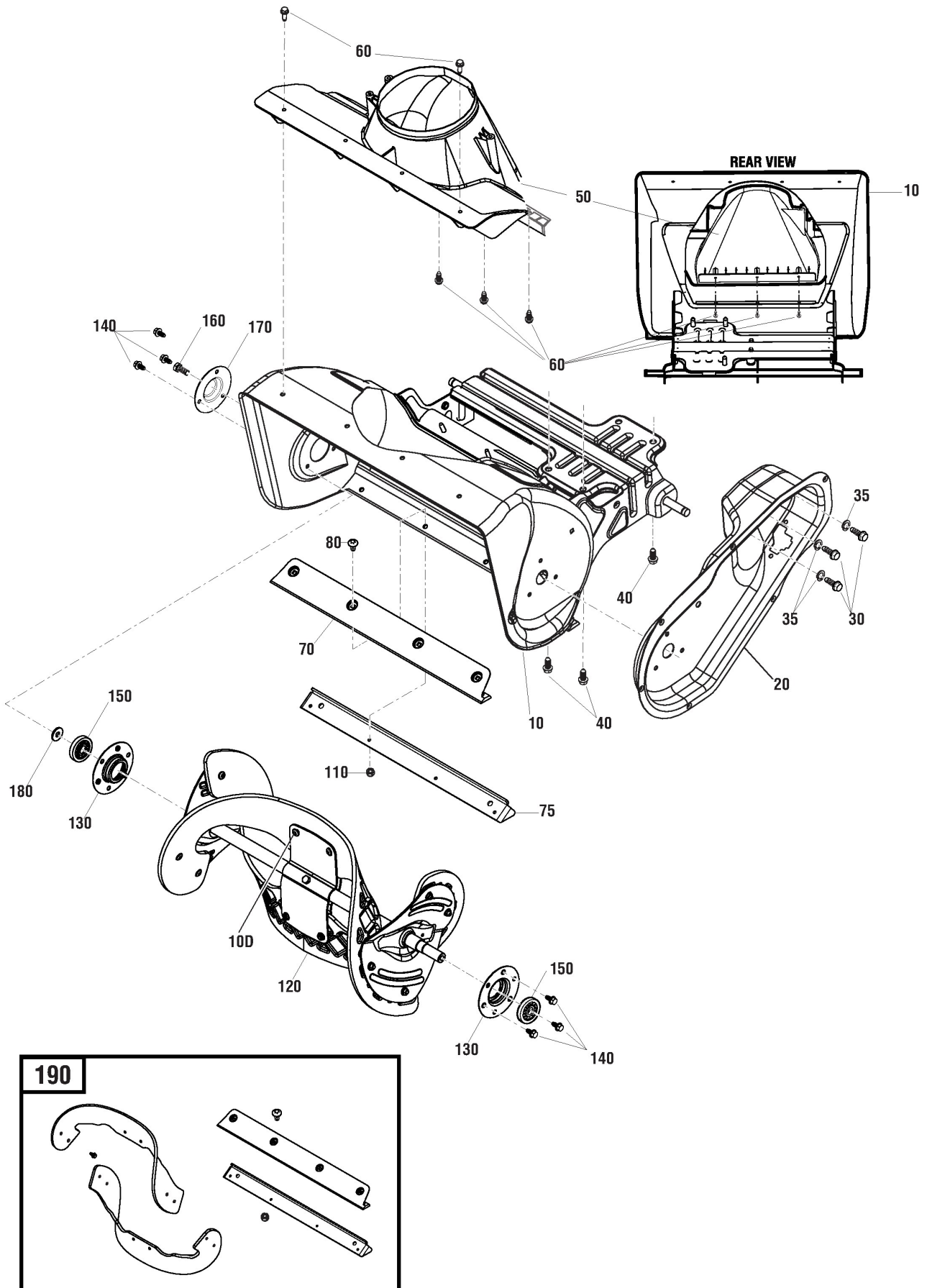
- Use ST. S.p.A. Genuine Spare Parts specified in the parts list for repair and/or replacement.
- The contents described in the parts list may change due to improvement.
- The drawings of the spare parts are only indicative And might Not represent the part in question exactly.
- The indications "right" - "left" - "front" - "rear" refer to the position of the operator when using the machine.
- When placing orders of parts for repair And/Or replacement, make sure that the illustrated parts list Is the one applying to the machine's year of manufacture, as shown on the identification plate attached to the machine.

All rights reserved. No part Of this material may be reproduced Or transmitted, in any form Or by any means, electronic Or mechanical, including photocopying, recording Or by any information storage And retrieval system, without permission in writing from ST. S.p.A.



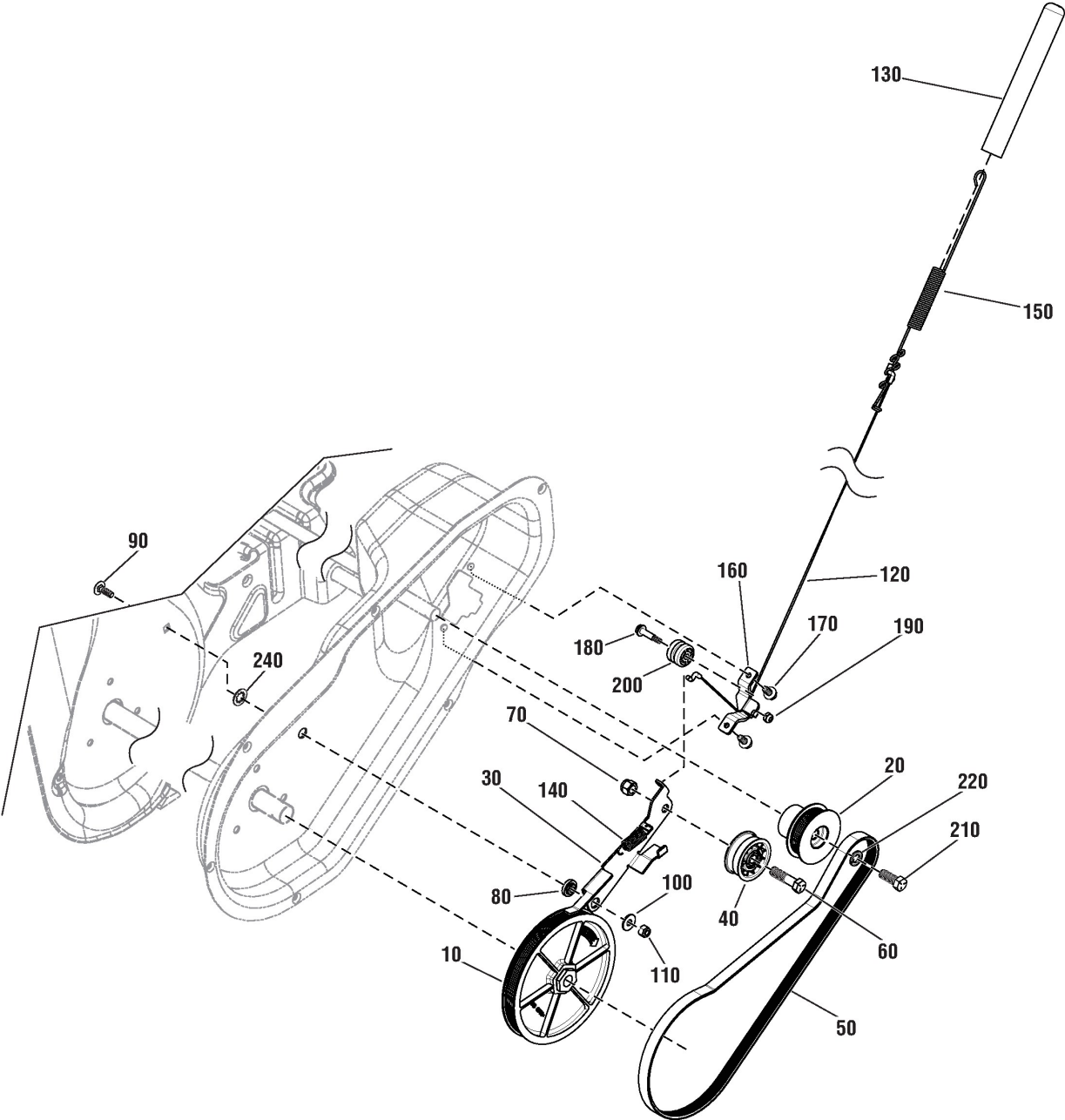
Controls

| Ref.nr. | Antal | Komponentkode | Beskrivelse | Noter | From | Op til |
|---------|-------|---------------|------------------|-------|------|--------|
| 10 | 4 | 1812-2641-01 | Screw | | | |
| 20 | 1 | 1812-2568-01 | Handlebar, Lower | | | |
| 30 | 1 | 1812-3069-01 | Handlebar, Upper | | | |
| 40 | 1 | 1812-2909-01 | Bail stop | | | |
| 50 | 1 | 1812-2653-01 | Carriage bolt | | | |
| 60 | 2 | 1812-3039-01 | Knob | | | |
| 70 | 2 | 1812-2572-01 | Guide, Rope | | | |
| 80 | 1 | 9743-3521-32 | Nut | | | |



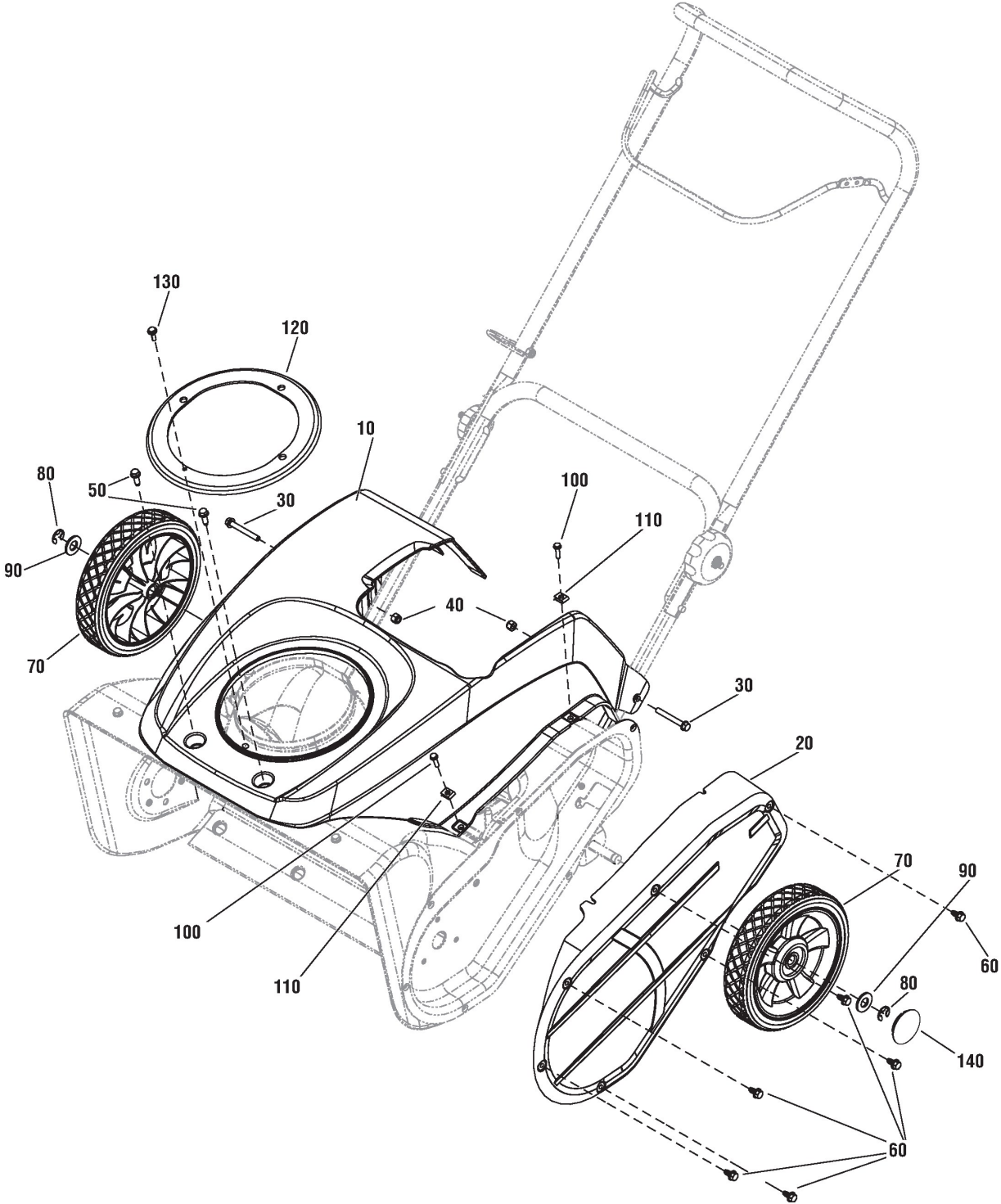
Frame

| Ref.nr. | Antal | Komponentkode | Beskrivelse | Noter | From | Op til |
|---------|-------|---------------|------------------|--------------------------------|------|--------|
| 10 | 1 | 1812-2558-01 | Frame Assy | | | |
| 10D | 12 | 1812-2652-01 | Screw | | | |
| 20 | 1 | 1812-2555-01 | Drive housing | | | |
| 30 | 3 | 9987-5119-16 | Screw | | | |
| 35 | 3 | 1812-2945-01 | Lock washer | | | |
| 40 | 3 | 9955-3732-12 | Screw | | | |
| 50 | 1 | 1812-2578-01 | Chimney | | | |
| 60 | 5 | 1812-2765-01 | Screw | | | |
| 70 | 1 | - | - | AVAILABLE ON SCRAPER BLADE KIT | | |
| 75 | 1 | 1812-2762-01 | Support | | | |
| 80 | 4 | 1812-3010-01 | Screw | | | |
| 110 | 4 | 1812-2939-01 | Nut | | | |
| 120 | 1 | 1812-2635-01 | Auger Assy | | | |
| 130 | 2 | 1812-2559-01 | Bearing retainer | | | |
| 140 | 6 | 1812-2619-01 | Screw | | | |
| 150 | 2 | 1812-2373-01 | Ball Bearing | | | |
| 160 | 1 | 9988-3619-16 | Screw | | | |
| 170 | 1 | 1812-2560-01 | Bearing cap | | | |
| 180 | 1 | - | - | FLAT WASHER 7/8 x 21/64 | | |
| 190 | 1 | 1812-2853-01 | Scraper Blade | | | |



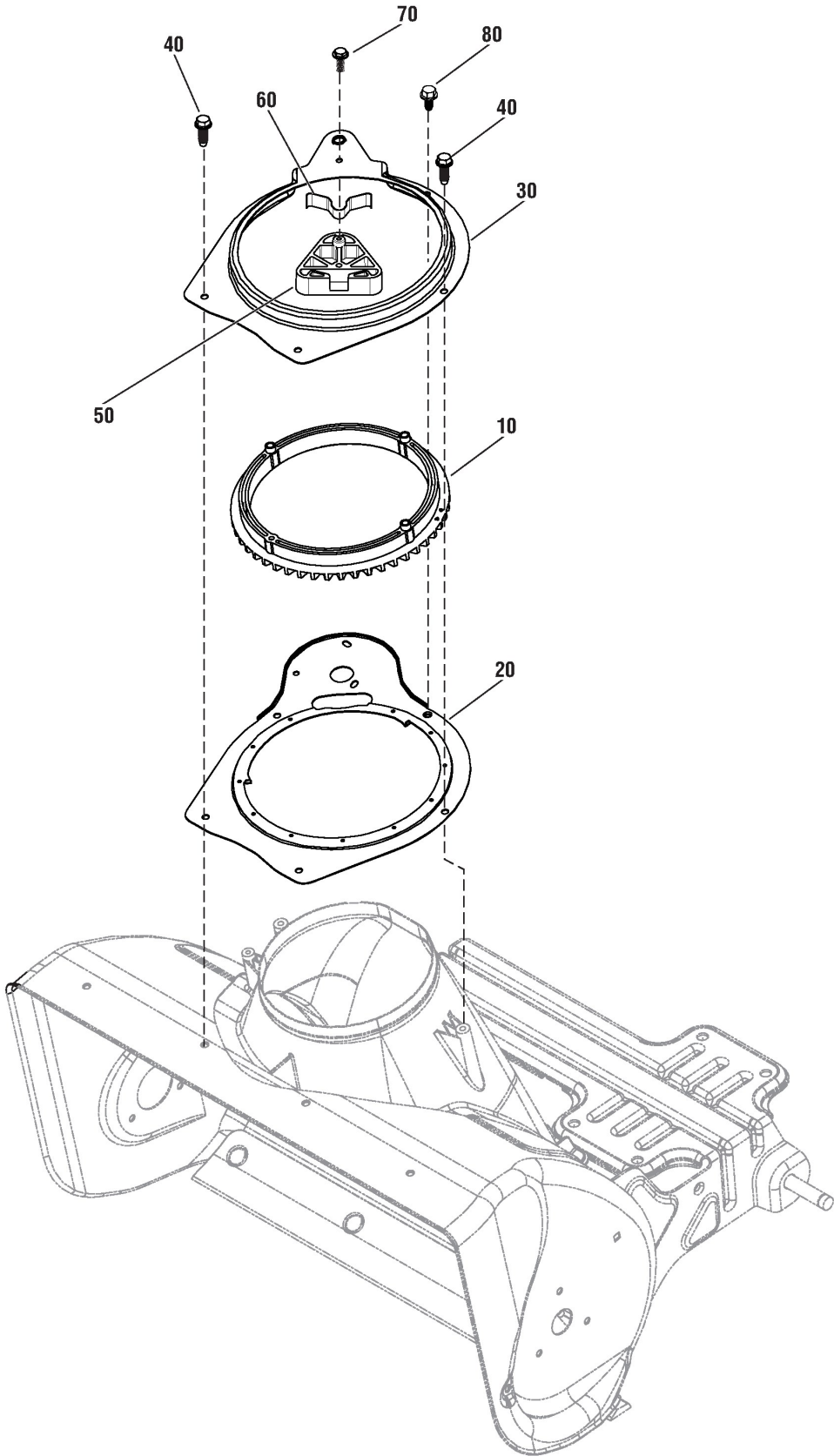
Belt transmission

| Ref.nr. | Antal | Komponentkode | Beskrivelse | Noter | From | Op til |
|---------|-------|---------------|----------------------|-----------------------------|---------------------------|----------------------|
| 10 | 1 | 1812-2602-01 | Pulley | | | |
| 20 | 1 | 1812-2557-01 | Pulley | | | |
| 30 | 1 | 1812-2577-01 | Idler drive arm | | | |
| 40 | 1 | 1812-2077-01 | Tension Roller | | | |
| 50 | 1 | 1812-2566-01 | Drive Belt | | | |
| 60 | 1 | 9988-3738-12 | Screw | | | |
| 70 | 1 | 9743-3721-32 | Nut | | | |
| 80 | 1 | 1812-2601-01 | Spacer | | | |
| 90 | 1 | 1812-2642-01 | Carriage bolt | | | |
| 100 | 1 | - | - | FLAT WASHER 281 X 3/4 x 1/2 | | |
| 110 | 1 | 9743-3521-32 | Nut | | | |
| 120 | 1 | 1812-2126-01 | Cable Rear Drive | | | |
| 130 | 1 | 1812-2608-01 | Spring | | | |
| 140 | 1 | 1812-2615-01 | Spring, Idler | | | |
| 150 | 1 | 1812-2616-01 | Spring, Extension | | | |
| 160 | 1 | 1812-2617-01 | Bracket, Cable Guide | | | |
| 170 | 2 | 1812-2619-01 | Screw | | | |
| 180 | 1 | 1812-2625-01 | Screw | | | To |
| 180 | 1 | 9988-3545-12 | Screw | | From 01-September-2016 | |
| 190 | 1 | 1812-2651-01 | Nut | | | |
| 200 | 1 | 1812-1205-01 | Spool | | | |
| 210 | 1 | 1812-2079-01 | Screw | | | |
| 220 | 1 | 9683-0035-02 | Washer | | | |
| 240 | 1 | 1812-2763-01 | Nut | | From 01-September-2012 | To 31-August-2013 |



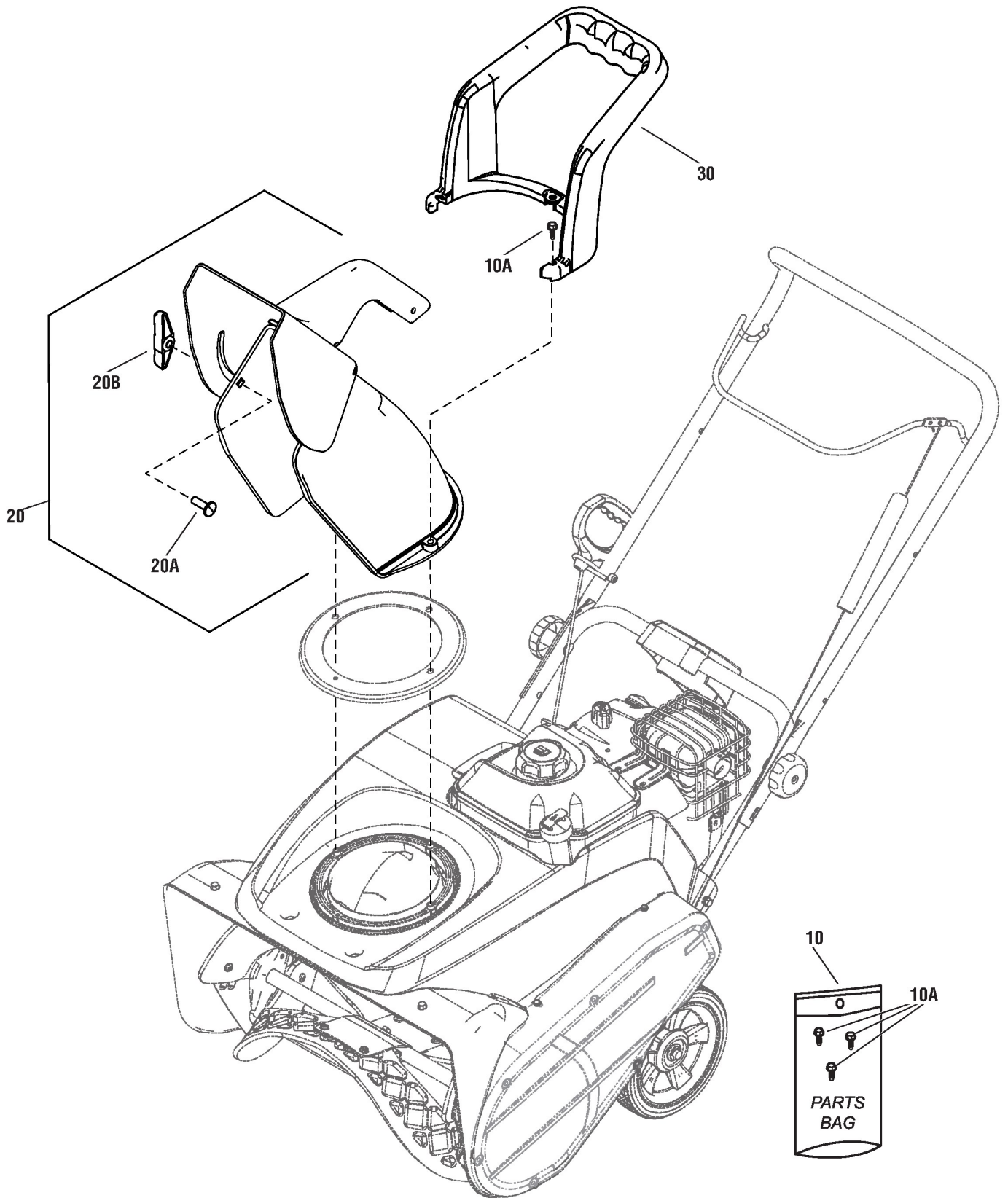
Covers, wheel

| Ref.nr. | Antal | Komponentkode | Beskrivelse | Noter | From | Op til |
|---------|-------|---------------|-------------------------|-------|------|--------|
| 10 | 1 | 1812-2754-01 | Cover-top, yellow | | | |
| 20 | 1 | 1812-2579-01 | Drive case cover, black | | | |
| 30 | 2 | 9988-3551-12 | Screw | | | |
| 40 | 2 | 9743-3521-32 | Nut | | | |
| 50 | 2 | 1812-2618-01 | Screw | | | |
| 60 | 6 | 1812-2619-01 | Screw | | | |
| 70 | 2 | 1812-2494-01 | Wheel | | | |
| 80 | 2 | 1812-2492-01 | E-ring | | | |
| 90 | 2 | 1812-2649-01 | Washer | | | |
| 100 | 2 | 1812-2627-01 | Screw | | | |
| 110 | 2 | 1812-2498-01 | Nut U-Style Speed | | | |
| 120 | 1 | 1812-2603-01 | Cover, Chute | | | |
| 130 | 1 | 1812-1394-01 | Screw | | | |
| 140 | 2 | 1812-2750-01 | Hub Cap | | | |



Chute rotation

| Ref.nr. | Antal | Komponentkode | Beskrivelse | Noter | From | Op til |
|---------|-------|---------------|----------------------|-------|------|--------|
| 10 | 1 | 1812-2556-01 | Chute Rotation Gear | | | |
| 20 | 1 | 1812-2570-01 | Chute Mounting Plate | | | |
| 30 | 1 | 1812-2571-01 | Chute Gear Retainer | | | |
| 40 | 2 | 1812-2618-01 | Screw | | | |
| 50 | 1 | 1812-2907-01 | Block | | | |
| 60 | 1 | 1812-2906-01 | Spring | | | |
| 70 | 1 | 1812-2257-01 | Screw | | | |
| 80 | 1 | 1812-2619-01 | Screw | | | |



Chute

| Ref.nr. | Antal | Komponentkode | Beskrivelse | Noter | From | Op til |
|---------|-------|---------------|----------------------|---------------|------|--------|
| 10 | 1 | 1812-2923-01 | Parts Bag, Manual | Incl. Pos 10A | | |
| 20 | 1 | 1812-2912-01 | Chute Assembly, Man. | Inlc. 20A-20B | | |
| 30 | 1 | 1812-2911-01 | Handle | | | |
| 999 | 1 | 1812-2361-01 | Wing Nut | | | |
| 999 | 3 | 1812-2749-01 | Screw | | | |
| 999 | 1 | 1812-2977-01 | Bolt | | | |