

STIGA

Autoclip 223 (2015)

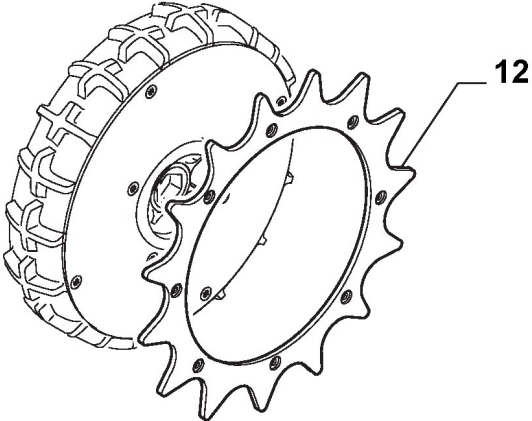
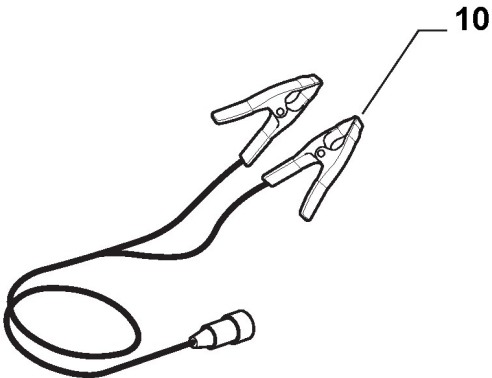
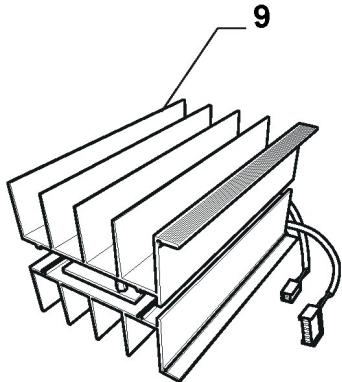
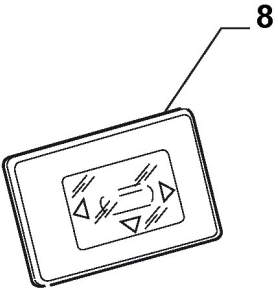
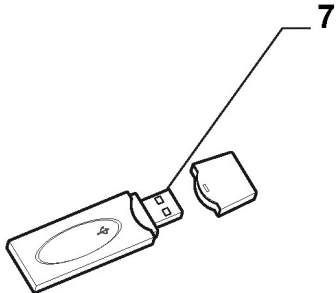
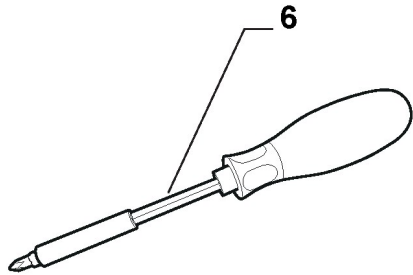
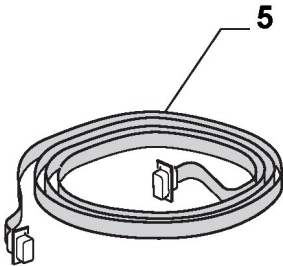
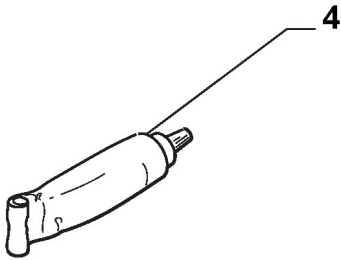
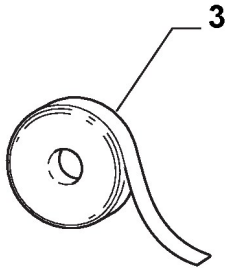
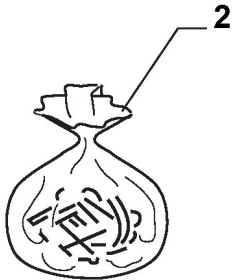
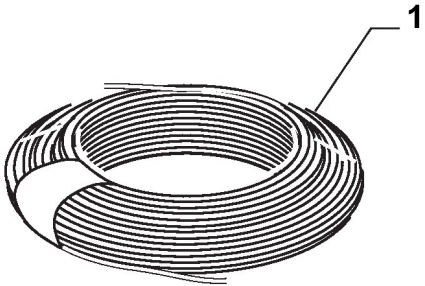
2R2002008/S15



Spare parts list Reservdelar Repuestos Ersatzteile Pièces détachées Reserve onderdelen Catalogo ricambi

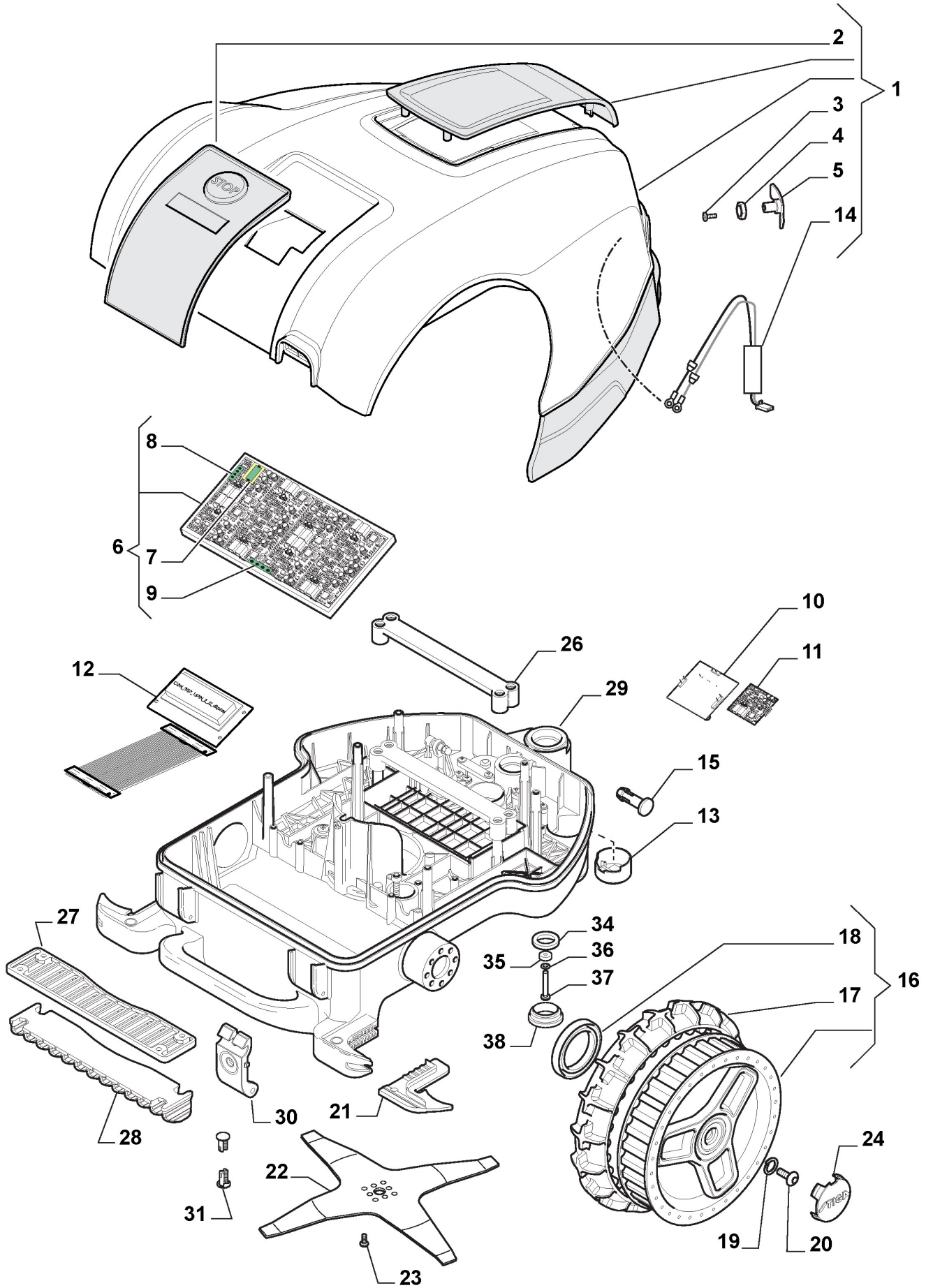
- Use ST. S.p.A. Genuine Spare Parts specified in the parts list for repair and/or replacement.
- The contents described in the parts list may change due to improvement.
- The drawings of the spare parts are only indicative And might Not represent the part in question exactly.
- The indications "right" - "left" - "front" - "rear" refer to the position of the operator when using the machine.
- When placing orders of parts for repair And/Or replacement, make sure that the illustrated parts list Is the one applying to the machine's year of manufacture, as shown on the identification plate attached to the machine.

All rights reserved. No part Of this material may be reproduced Or transmitted, in any form Or by any means, electronic Or mechanical, including photocopying, recording Or by any information storage And retrieval system, without permission in writing from ST. S.p.A.



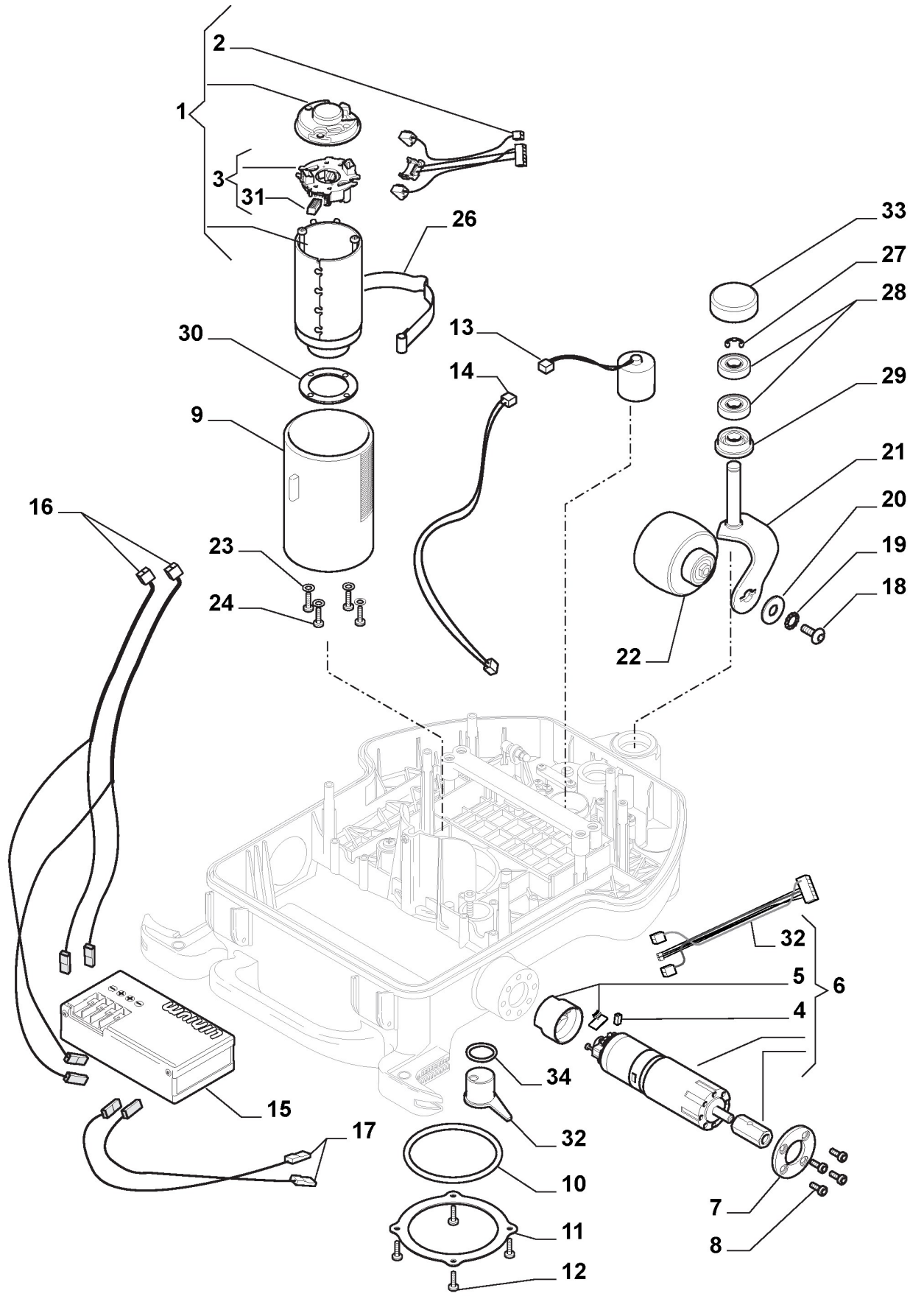
Accessories

Ref.nr.	Antal	Komponentkode	Beskrivelse	Noter	From	Op til
1	1	1126-9167-01	Cable	MT 100		
2	1	1126-9106-01	Nails	(200 Pcs)		
2	1	1126-9149-01	Nails	(100 Pcs)		
3	1	1126-9148-01	Tape			
4	1	1126-1177-01	Grease	200 Gr		
5	1	1126-9104-01	Programming Cable			
6	1	112600116/0	Screwdriver			
7	1	1126-9152-01	USB-Bluetooth converter	Stiga		
9	1	1126-1271-01	Battery Tray			
10	1	1126-1490-01	Winter Garaging Kit			
12	2	1126-9151-01	Wheel with Spikes			



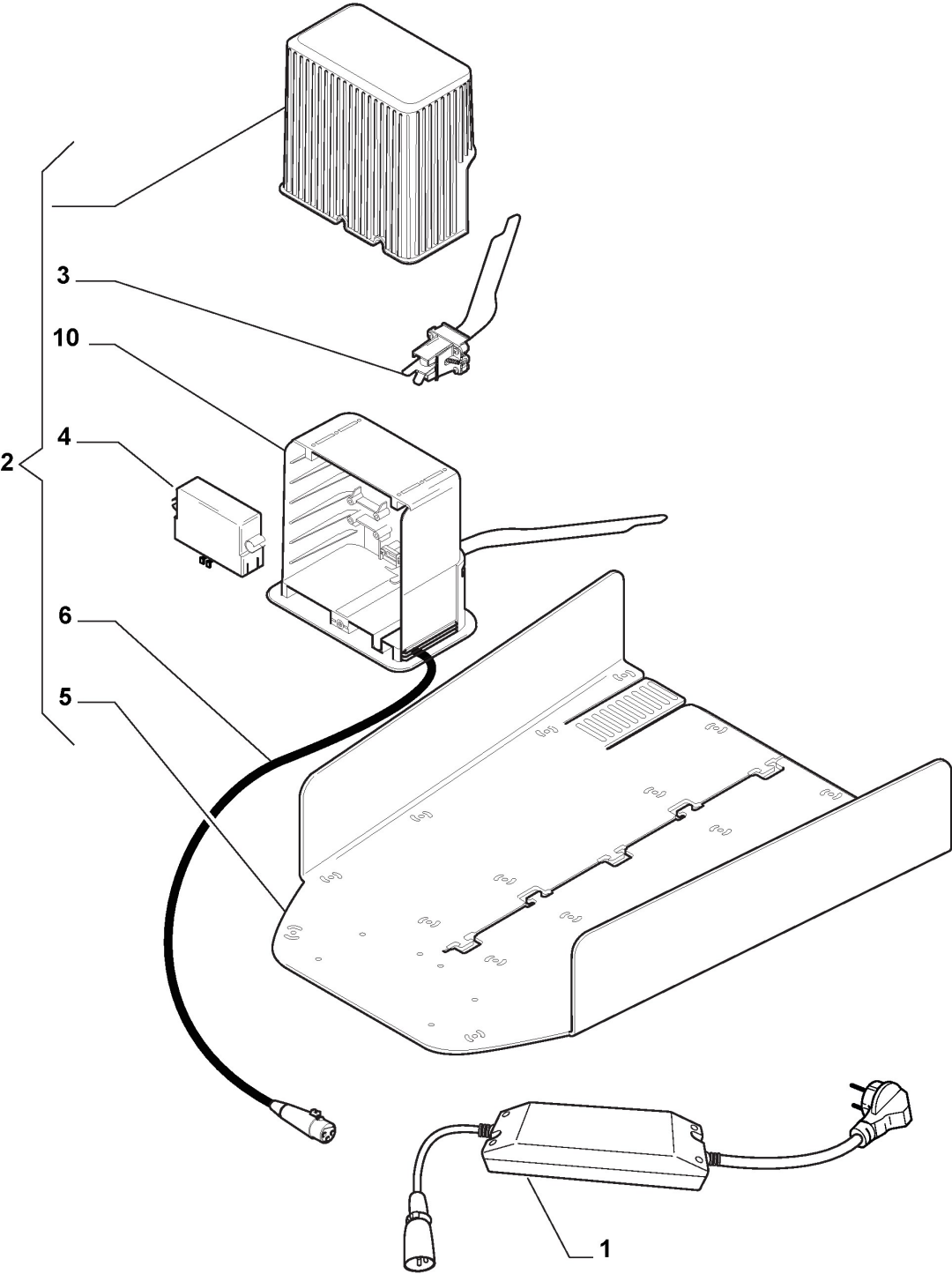
Wheels, Blade, Body Works

Ref.nr.	Antal	Komponentkode	Beskrivelse	Noter	From	Op til
1	1	112600102/0	Cap set	Autoclip 223		
2	1	1126-1441-01	Display			
3	6	1126-1450-01	Screw			
4	6	1126-1452-01	Washer			
5	2	1126-1437-01	Metal Contact			
6	1	112600143/0	Mother board	Autoclip 223		
7	1	1126-1155-01	Fuse Kit	F4 - 250V 630mAD		
8	1	1126-1156-01	Fuse Kit	F3 - 32V 30A		
9	1	1126-1053-01	Fuse Kit	F1 - 32V 1A		
10	1	1126-1072-01	Receiver			
11	1	1126-9156-02	Bluetooth receiver	(iOS + Android)		
12	1	1126-1442-01	Display			
13	1	1126-1432-01	Lift Board			
14	1	112600172/0	Recharging Wire			
15	2	1126-1439-01	Pivot			
16	2	1126-9168-01	Wheel			
17	2	1126-1212-01	Tire			
18	2	1126-1111-01	O-Ring			
19	2	1126-1292-01	Washer			
20	2	1126-1447-01	Screw			
21	2	1126-1434-01	Wheel Cleaning Spindle			
22	1	1126-9143-01	Blade			
23	4	1126-1118-01	Screw			
24	2	322110781/0	Hub Cap			
26	1	1126-1491-01	Battery Bracket			
27	1	112600110/0	Support			
28	1	112600109/0	Protection			
29	1	112600105/0	Body Work	Only plastic		
30	2	112600104/0	Button			
31	4	112600159/0	Clips			
34	2	112600186/0	Gasket			
35	2	112600187/0	Gasket			
36	2	112600188/0	Screw			
37	2	112600189/0	Washer			
38	2	112600182/0	Cap			



Motor, Transmission

Ref.nr.	Antal	Komponentkode	Beskrivelse	Noter	From	Op til
1	1	1126-1297-01	CUTTING MOTOR	Brush Robot		
2	1	1126-1153-01	Blade Encoder	Brush Robot		
3	2	1126-1028-01	Brush Kit	Brush Robot		
4	4	1126-1298-01	BRUSH	Brush Robot		
5	2	1126-1299-01	ENCODER	Brush Robot		
6	2	112600337/0	Wheel engine	Brush Robot		
7	2	1126-1301-02	Wheel Support			
8	8	1126-1449-01	Screw			
9	1	112600124/0	Motor Support			
10	1	112600128/0	Gasket			
11	1	1126-1436-01	Bracket			
12	4	1126-1046-01	Screw			
13	2	1126-1073-01	Coil			
14	2	1126-1456-01	Cable			
15	1	1126-9137-01	Battery	Lithium (25.9V - 2.5Ah)		
16	1	1126-1455-01	Battery Cable			
17	1	112600170/0	Cabling Battery-Battery			
18	1	1126-1283-01	Screw			
19	1	1126-1104-01	Washer			
20	1	1126-1105-01	Washer			
21	1	1126-1284-01	Wheel Shaft			
22	1	1126-1285-01	Wheel			
23	4	1126-1445-01	Washer			
24	4	1126-1446-01	Screw			
26	1	112600106/0	Elastic Plate			
27	1	1126-1281-01	CIRCLIP			
28	2	1126-1458-01	Bearing			
29	1	1126-1107-01	Cover			
30	1	1126-7010-01	Gasket			
31	2	1126-1459-01	Blade Brush	Brush Robot		
32	2	1126-1492-01	Harness	Brush Robot		
33	1	112600160/0	Cover			
34	1	112600129/0	Gasket			
35	1	1126-7011-01	Fixing plate			



Recharging Base

Ref.nr.	Antal	Komponentkode	Beskrivelse	Noter	From	Op til
1	1	1126-9166-01	Battery charger			
2	1	112600112/0	Recharging Base Cpl			
3	2	1126-1438-01	Recharging Plate			
4	1	112600113/0	Transmitter			
5	1	1126-1435-01	Base			
6	1	112600176/0	Recharging supply cable			
10	1	112600345/0	Support			