

# STIGA

## TWINCLIP 950 SQ AE (2021)

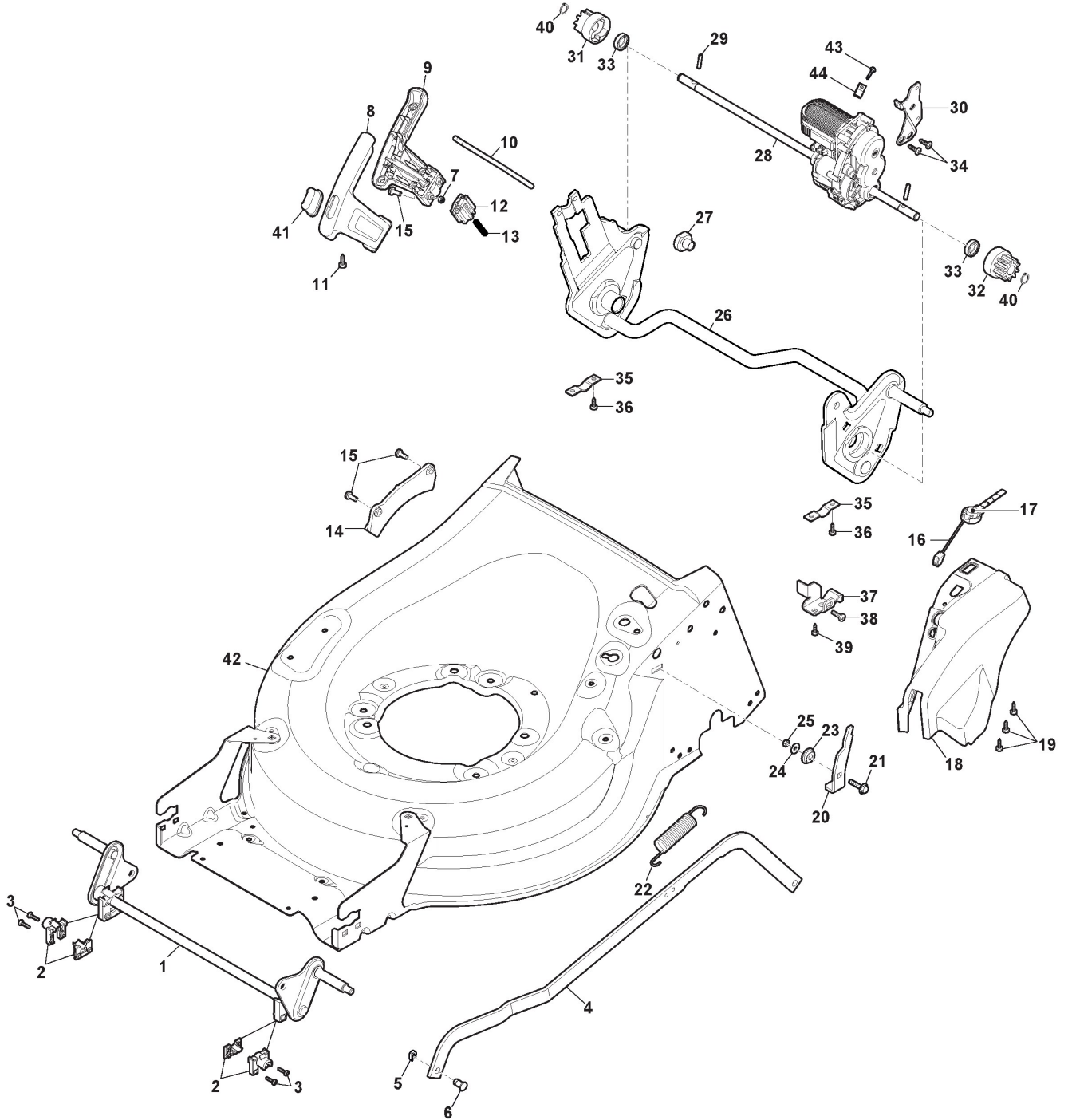
294513898/ST1



### Spare parts list Reservdelar Repuestos Ersatzteile Pièces détachées Reserve onderdelen Catalogo ricambi

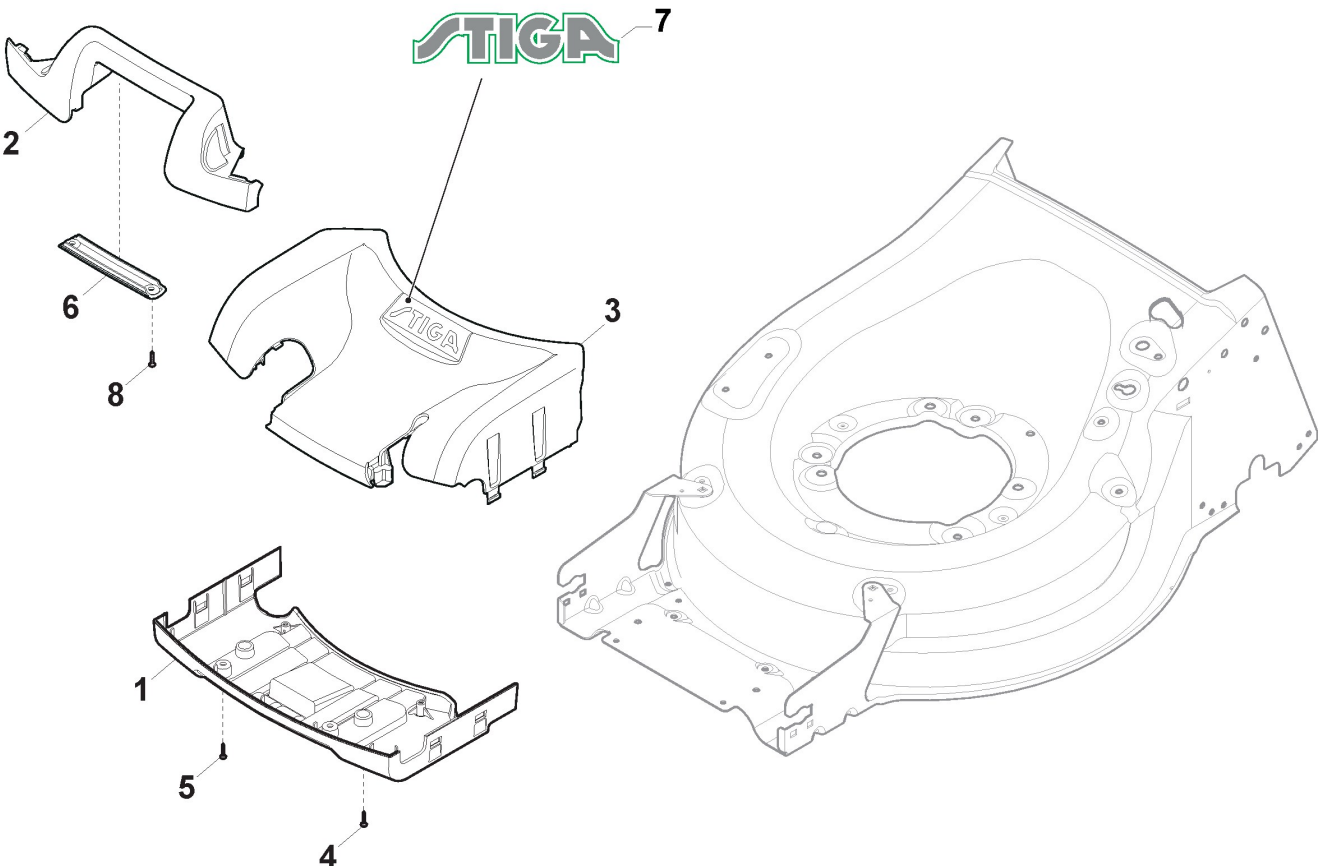
- Use ST. S.p.A. Genuine Spare Parts specified in the parts list for repair and/or replacement.
- The contents described in the parts list may change due to improvement.
- The drawings of the spare parts are only indicative And might Not represent the part in question exactly.
- The indications "right" - "left" - "front" - "rear" refer to the position of the operator when using the machine.
- When placing orders of parts for repair And/Or replacement, make sure that the illustrated parts list Is the one applying to the machine's year of manufacture, as shown on the identification plate attached to the machine.

All rights reserved. No part Of this material may be reproduced Or transmitted, in any form Or by any means, electronic Or mechanical, including photocopying, recording Or by any information storage And retrieval system, without permission in writing from ST. S.p.A.



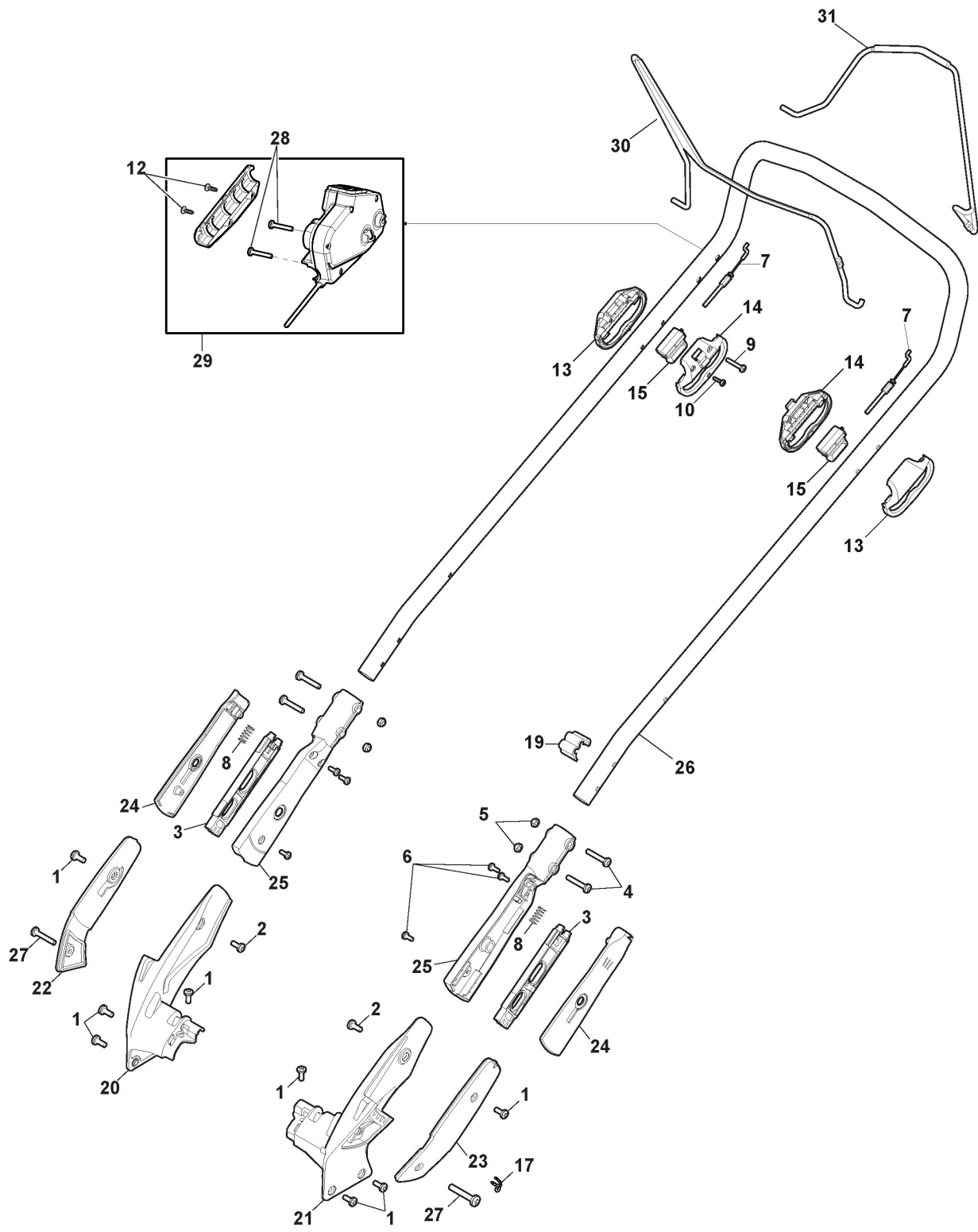
## Height Adjusting

Ref.nr.	Antal	Komponentkode	Beskrivelse	Noter	From	Op til
1	1	381302901/1	Front Wheel Axle			
2	2	322785305/1	Support			
3	4	112728697/0	Screw			
4	1	322869697/1	Adjustment Rod			
5	2	112436050/0	Plate			
6	2	122519823/0	Pin			
7	2	112154330/0	Nut			
8	1	322394534/0	Upper Handle	Black		
9	1	322394554/0	Lower Handle	Black and Yellow		
10	1	322869723/0	Rod			
11	4	112728697/0	Screw			
12	1	322109580/0	Slide			
13	1	122450484/0	Spring			
14	1	322735592/0	Sector, Height Adjustment			
15	4	112735654/0	Screw			
16	1	322602031/0	Position Plate			
17	1	322602027/0	Lens			
18	1	322055334/0	Deck, Adjustment			
19	3	112728699/0	Screw			
20	1	322778475/0	Bracket			
21	1	112815270/0	Screw			
22	1	122450480/0	Spring			
23	1	122517873/0	Pin			
24	1	112523040/0	Washer			
25	1	112154510/0	Nut			
26	1	381302939/1	Rear Wheel Axle			To
26	1	381302939/2	Rear Wheel Axle		From 01-January- 2021	01-01-2021
27	2	322038407/0	Brass			
28	1	181003135/0	Gear Box			
29	2	122753000/0	Pin			
30	1	322778527/0	Bracket			
31	1	122570110/1	Pinion Right	Metal		
31	1	322570138/0	Right Pinion	Plastic		
32	1	122570120/1	Pinion Left	Metal		
32	1	322570139/0	Left Pinion	Plastic		
33	2	119216035/0	Bearing			
34	2	112728697/0	Screw			
35	2	322545147/0	Plate			
36	4	112735654/0	Screw			
37	1	322778489/0	Plate			
38	1	112735664/0	Screw			
39	1	112735654/0	Screw			
40	4	112608600/0	Seeger			
41	1	322602029/0	Button			
42	1	381004854/0	Grey Deck	Side Discharge		
43	1	112728210/0	Screw			
44	1	118390023/0	Wire Clip			



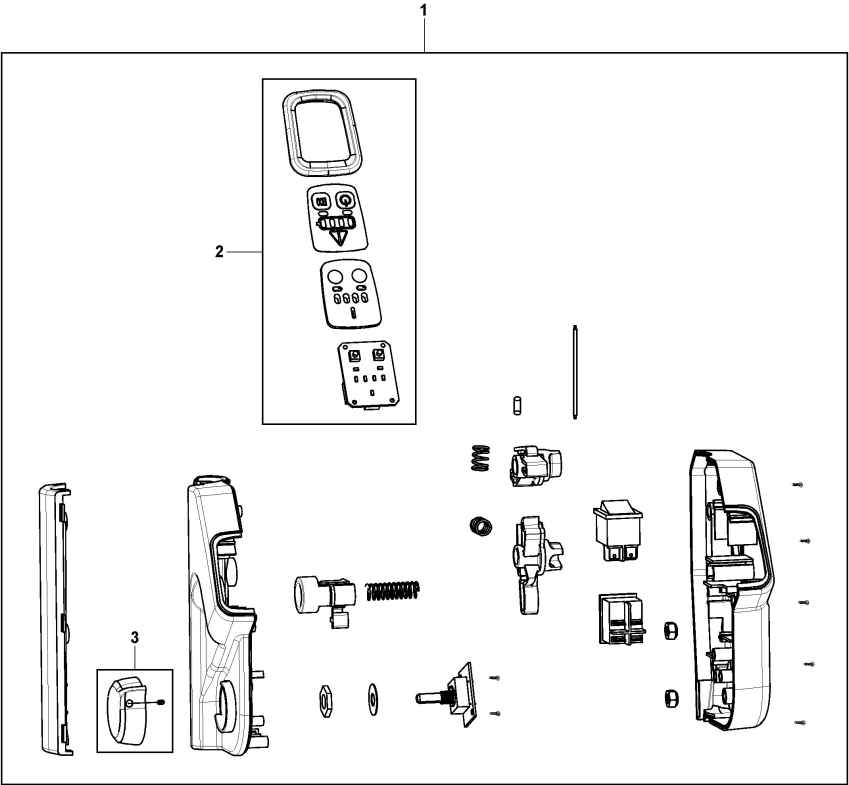
# Mask

Ref.nr.	Antal	Komponentkode	Beskrivelse	Noter	From	Op til
1	1	322500111/0	Front Combi			
2	1	381393703/0	Handle			
3	1	322226240/0	Mask, Grey			
4	2	112735654/0	Screw			
5	4	112728697/0	Screw			
6	1	322393756/0	Front Handle			
7	1	114367494/2	Label STIGA logo			
8	2	112728210/0	Screw			



# Handle

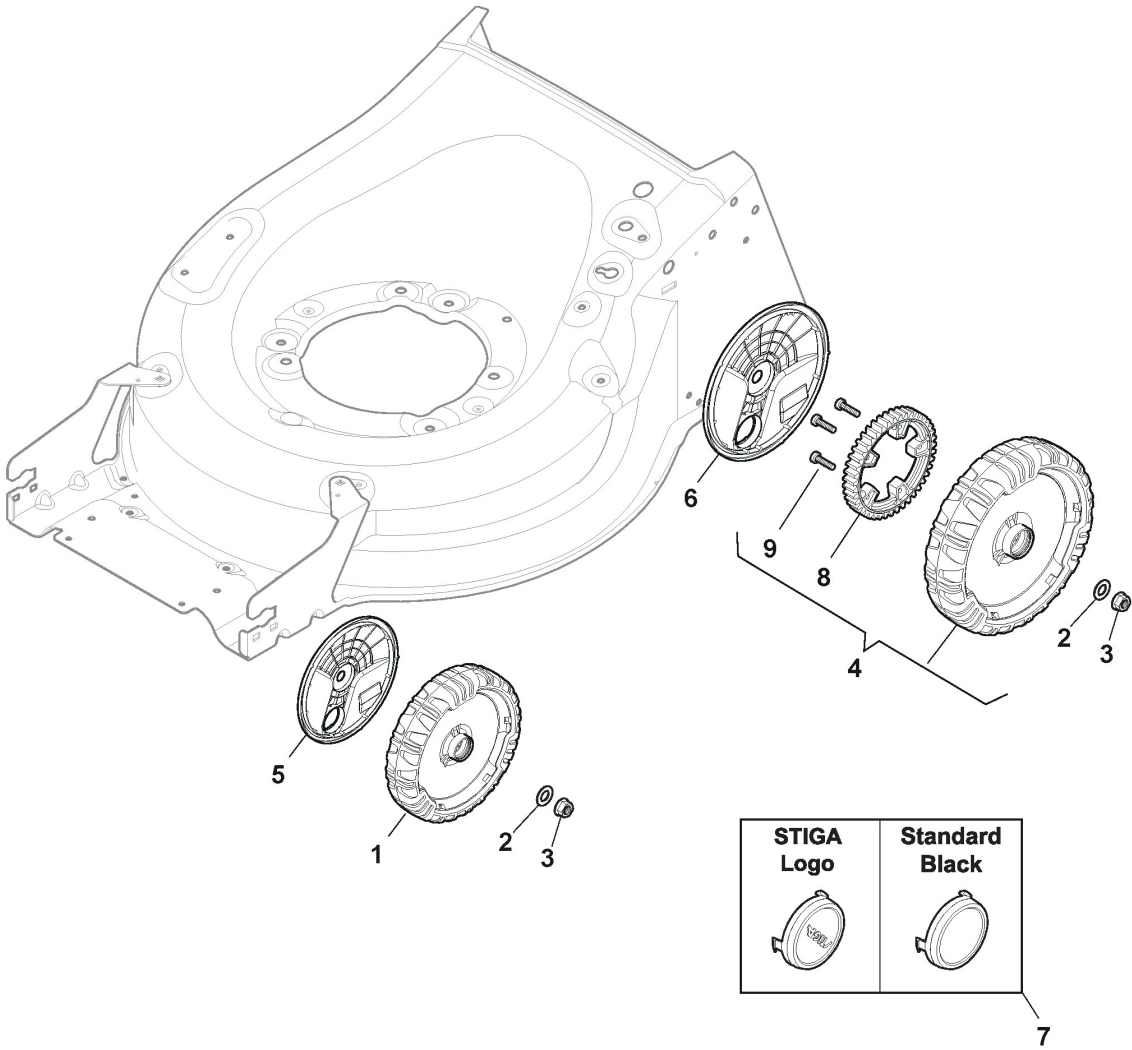
Ref.nr.	Antal	Komponentkode	Beskrivelse	Noter	From	Op til
1	9	112735664/0	Screw			
2	2	122517885/0	Pin			
3	2	322246106/0	Cursor			
4	4	112727799/0	Screw			
5	6	112154510/0	Nut			
6	1	112735651/0	Screw			
7	2	381030123/0	Cable Com. Cursor. Assy			
8	2	125430202/1	Spring			
9	2	112728705/0	Screw			
10	2	112728696/0	Screw			
12	2	112728706/0	Screw			
13	2	322722821/0	External Protection			
14	2	322722820/0	Internal Protection			
15	2	322394540/0	Lever, Yellow			
17	1	122430324/0	Guide Spring			
19	1	118390020/0	Conduit Clip			
20	1	381005219/1	Right Bracket			
21	1	381005221/1	Left Bracket			
22	1	381005239/0	Cover, Right			
23	1	381005241/0	Cover, Left			
24	2	381005245/0	Internal Guide			
25	2	381005243/0	External Guide			
26	1	381007682/0	Handle			
27	2	112735660/0	Screw			
28	2	112727799/0	Screw			
29	1	381600602/0	Dead Hand Switch - Battery			
30	1	181103522/0	OPC Lever			
31	1	181103523/0	Traction Lever, Black			





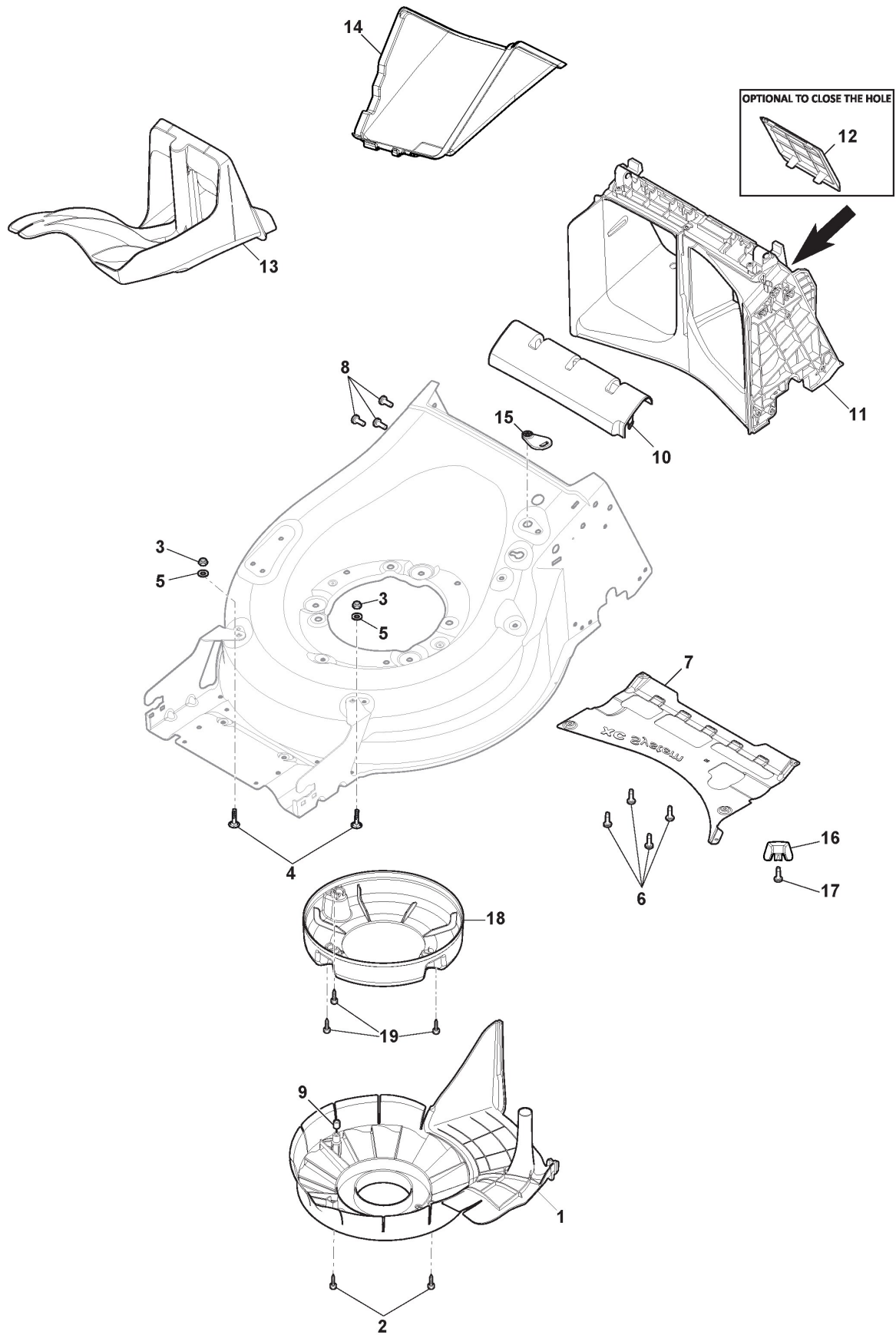
Dead Hand Switch

<b>Ref.nr.</b>	<b>Antal</b>	<b>Komponentkode</b>	<b>Beskrivelse</b>	<b>Noter</b>	<b>From</b>	<b>Op til</b>
1	1	381600602/0	Dead Hand Switch - Battery			
2	1	118811302/0	Control Panel Kit			
3	1	118811303/0	Knob			



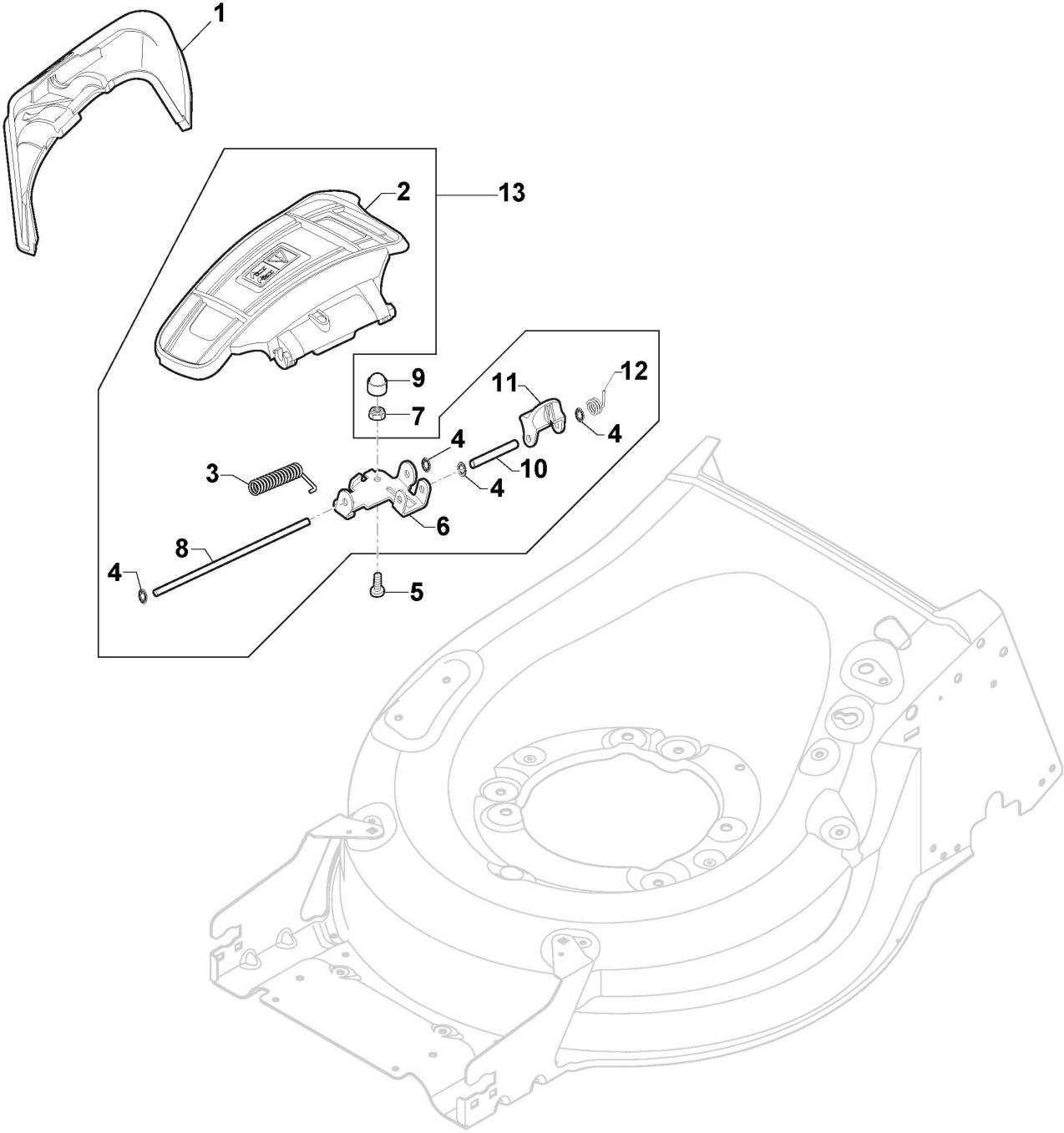
## Wheel and Hub Cap

Ref.nr.	Antal	Komponentkode	Beskrivelse	Noter	From	Op til
1	2	381007494/0	Wheel	Aluminium Wheel		
2	2	112521350/0	Washer			
3	2	112155000/0	Nut			
4	2	381007800/0	Wheel	Aluminium Wheel		
5	2	322600334/0	Protection, Wheel			
6	2	322600333/0	Protection, Wheel			
7	4	322110798/0	Hub Cap Grey	with STIGA Logo		
8	2	322120117/0	Wheels Crown Ø240 Wbh Cruiser			
9	6	112735645/0	Screw			



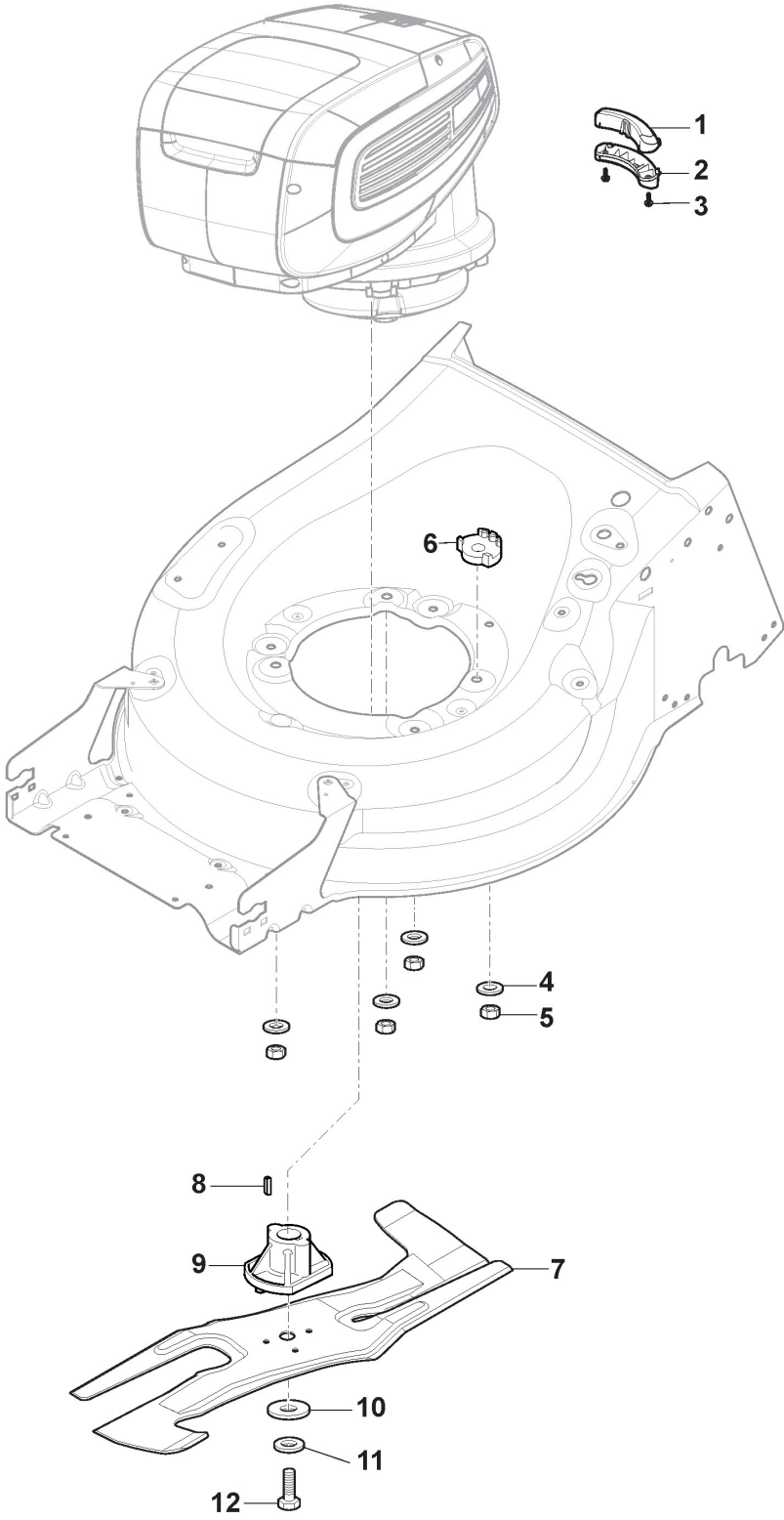
## Belt Guard

Ref.nr.	Antal	Komponentkode	Beskrivelse	Noter	From	Op til
1	1	322060270/2	Carter Mulching			To S/N
1	1	322060270/3	Carter Mulching		From S/N	19JA2WBH 023208
2	2	112735645/0	Screw			
3	2	112154510/0	Nut			
4	2	112815205/0	Screw			
5	2	112521330/0	Washer			
6	4	112735654/0	Screw			
7	1	322778493/0	Lower Case			
8	6	112735664/0	Screw			
9	2	122042073/0	Bush			
10	1	322109578/0	Stone-Guard Support, Grey	Grey NCS S8000-N		
11	1	381004825/0	Conveyor			
12	1	322600310/0	Rear door	Optional to close the hole		
13	1	322140247/0	Deflector			
14	1	322108319/0	Rear door			
15	1	322820087/0	Cap			
16	1	322943101/0	Screw			
17	1	112728706/0	Screw			
18		322055341/0	Conveyor			
19	3	112728697/0	Screw			



# Ejection-Guard

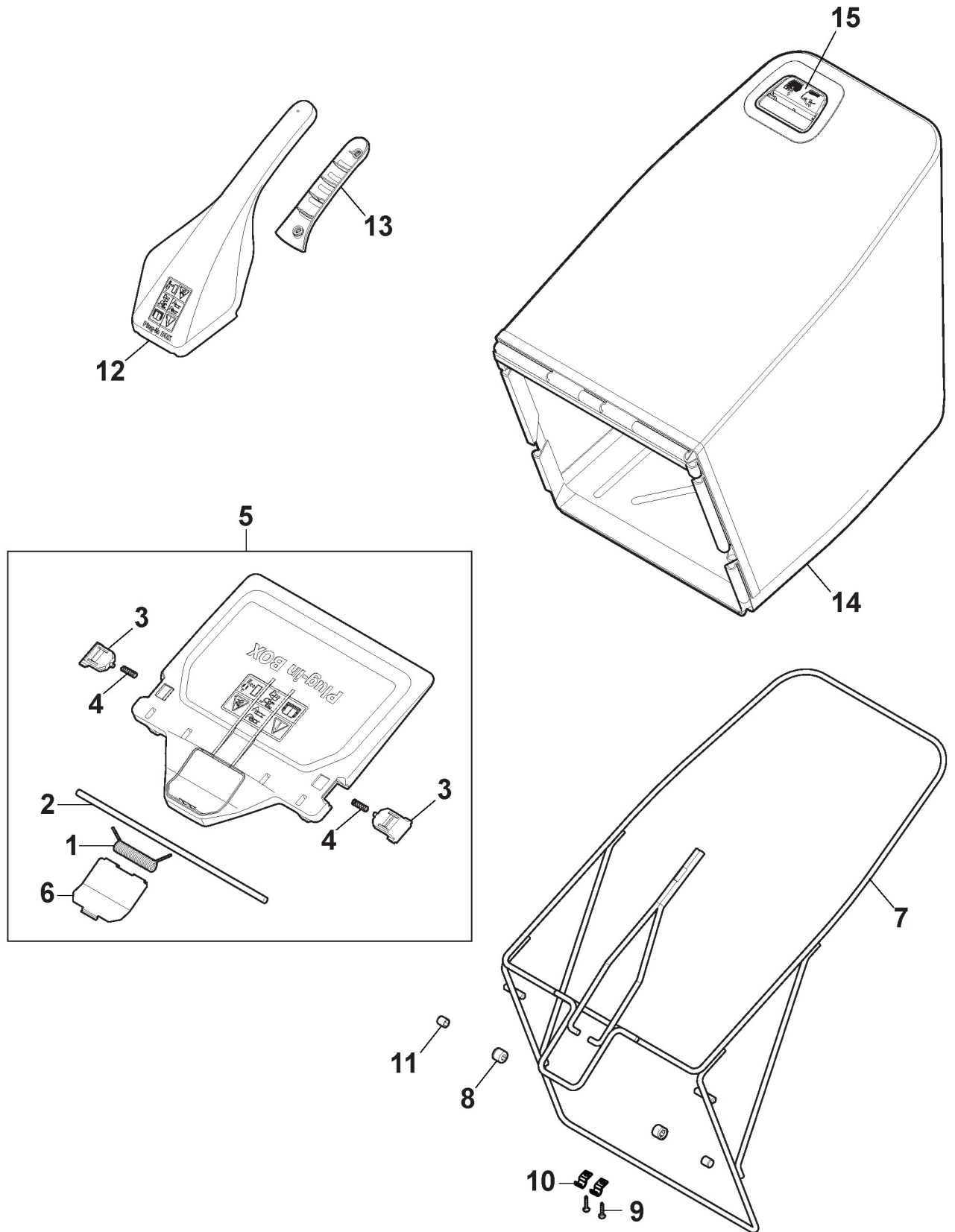
Ref.nr.	Antal	Komponentkode	Beskrivelse	Noter	From	Op til
1	1	322108315/0	Conveyor			
2	1	322600309/1	Stone Guard, Black	Black		To
2	1	322600309/2	Stone Guard, Black	Black	From 01-December-2018	To
3	1	122450456/0	Spring			
3	1	122450456/1	Spring		From 01-January-2019	
4	4	112604896/0	Crown Fastener			
5	2	112727803/0	Screw			
6	1	322806659/0	Fulcrum Pin			
7	2	112154510/0	Nut			
8	1	122517869/1	Pin			
9	2	118203853/0	Cap			
10	1	122517876/0	Pin			
11	1	322783013/0	Safety Button			
12	1	122450493/0	Spring			
13	1	381008162/0	Stone Guard Side Discharge Assy			To 31-December-2018
13	1	381008162/1	Stone Guard Side Discharge Assy		From 01-January-2019	





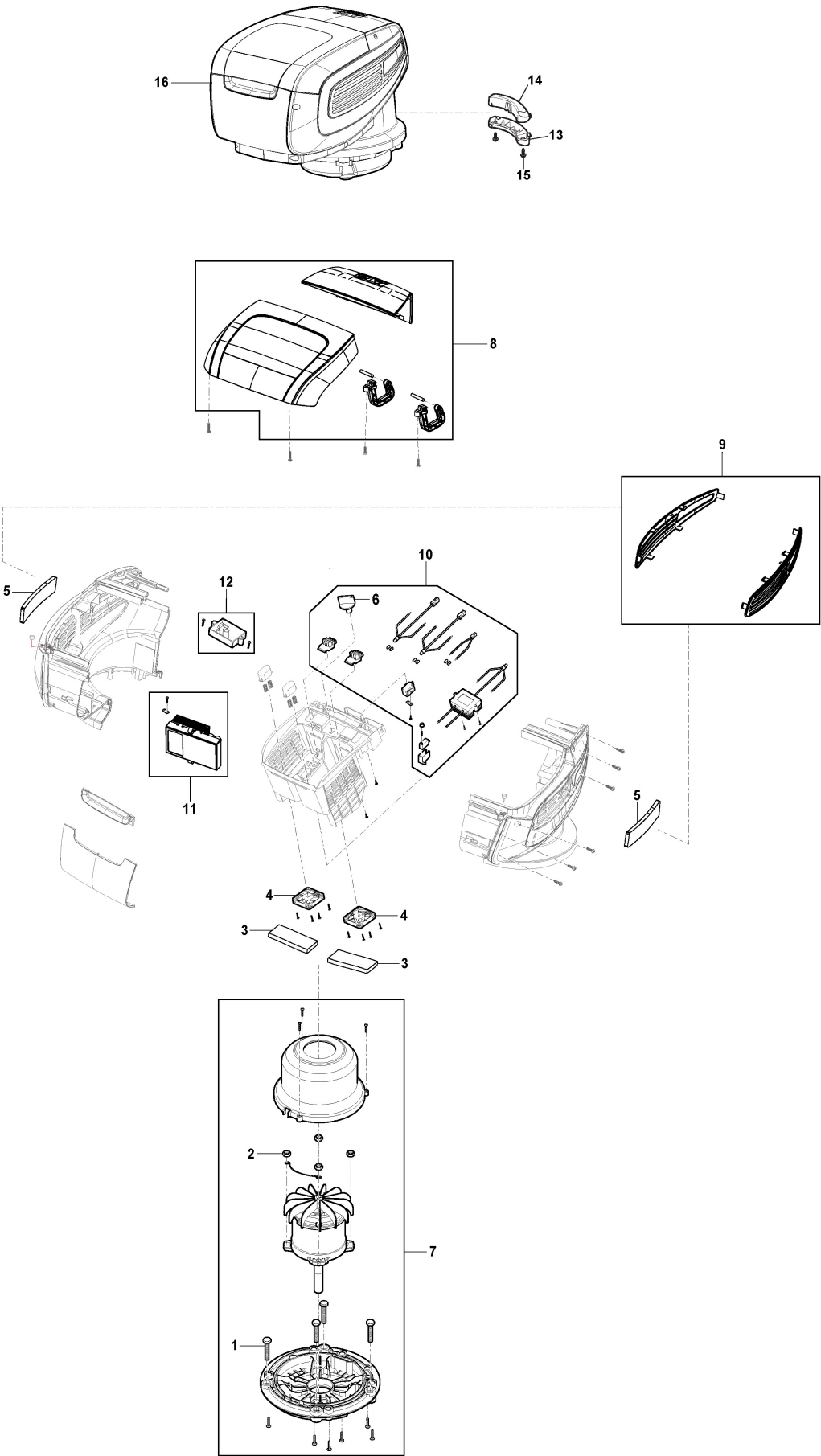
## Blade

Ref.nr.	Antal	Komponentkode	Beskrivelse	Noter	From	Op til
1	1	322722861/0	Upper Guard			
2	1	322722860/0	Lower Guard			
3	2	112728706/0	Screw			
4	4	112583500/0	Grower			
5	4	112293200/0	Nut			
6	1	322171009/0	Spacer			
7	1	1111-9256-02	Blade	181004415/0 with Stiga Pack		
7	1	181004415/0	Blade			
8	1	112139100/0	Key			
9	1	1111-9168-01	Blade Holder	122463012/4 with Stiga Pack		
9	1	122463012/4	Hub, Crankshaft Ø 22.2			
10	1	122160400/0	Elastic Disc			
11	1	112523080/0	Washer			
12	1	112735698/0	Screw			



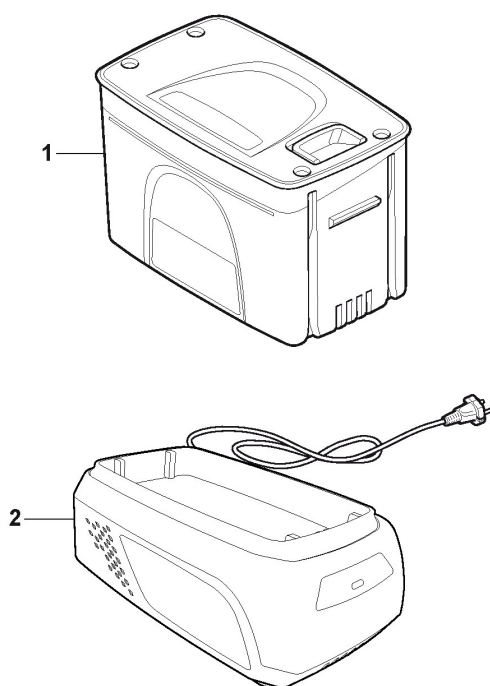
# Grass-Catcher

Ref.nr.	Antal	Komponentkode	Beskrivelse	Noter	From	Op til
1	1	122450485/0	Spring			
2	1	122517884/0	Pin			
3	2	322109579/0	Support			
4	2	122450482/0	Spring			
5	1	381008155/0	Stone Guard, Black			To
5	1	381008155/1	Stone Guard, Black		From	31-August-2016
6	1	322551678/0	Plate			
7	1	181006431/0	Textile Grasscatcher Frame			To
7	1	181006431/1	Textile Grasscatcher Frame		From	
8	2	322109582/0	Protection		01-September-2019	
9	4	112728713/0	Screw			
10	2	325774220/0	Bracket			
11	2	322109581/0	Protection			
12	1	322393753/0	Handle	Stiga Grey		
13	1	322394536/0	Lower Handgrip	Yellow		
14	1	181102378/0	Fabric Box	Black with STIGA Logo		
15	1	322486452/0	Indicator	Yellow		



# Electric Motor

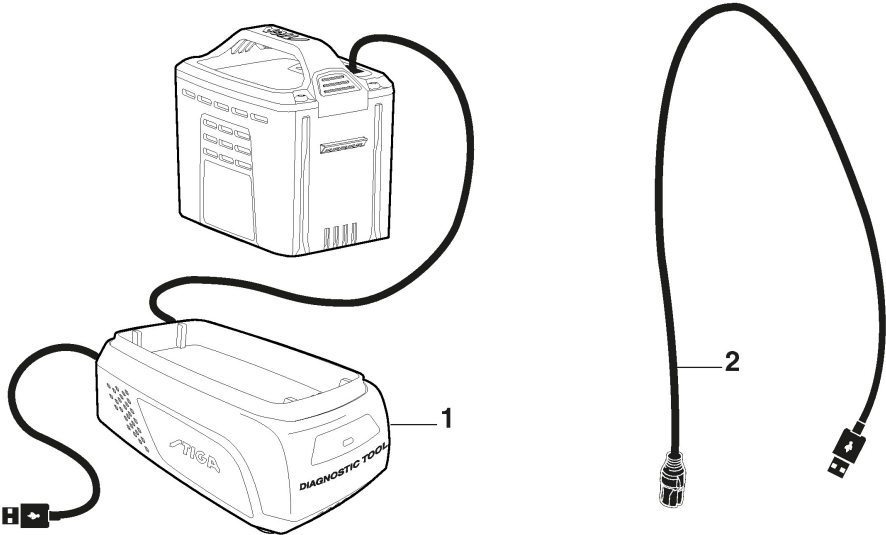
Ref.nr.	Antal	Komponentkode	Beskrivelse	Noter	From	Op til
1	4	112793600/0	Screw			
2	4	112154510/0	Nut			
3	2	118811245/0	Air Filter			
4	2	118811246/0	Fan			
5	2	118811248/0	Air Filter			
6	1	322076572/0	Safety Key			
7	1	118811288/0	Electric Motor Assy			
8	1	118811282/0	Battery Cover Kit			
9	1	118811289/0	Air Filter Cover Kit			
10	1	118811290/0	Power Supply Assy			
11	1	118811291/0	PCB Assy			
12	1	118811292/0	Traction Controller Assy			
13	1	322722860/0	Lower Guard			
14	1	322722861/0	Upper Guard			
15	2	112728706/0	Screw			
16	1	381270023/0	Complete Powerhead Assy			To
16	1	381270023/1	Complete Powerhead Assy		From 01-July-202 1	



Please Note: These images are for illustrative purposes only.  
For more info see descriptions.

## Battery

Ref.nr.	Antal	Komponentkode	Beskrivelse	Noter	From	Op til
1	1	277017008/ST1	E 475	48V - 7.5Ah		
2	1	277020008/ST1	EC 415 S			
2	1	277020208/ST1	EC 415 D			
2	1	277021008/ST1	EC 415 SU			
2	1	277021208/ST1	EC 415 DU			
2	1	277030008/ST1	EC 430 F			
2	1	277031008/ST1	EC 430 FU			





## Diagnostic Tool

Ref.nr.	Antal	Komponentkode	Beskrivelse	Noter	From	Op til
1	1	118810754/0	Diagnostic Tool 48V			
2	1	118811363/0	Cable			