

STIGA

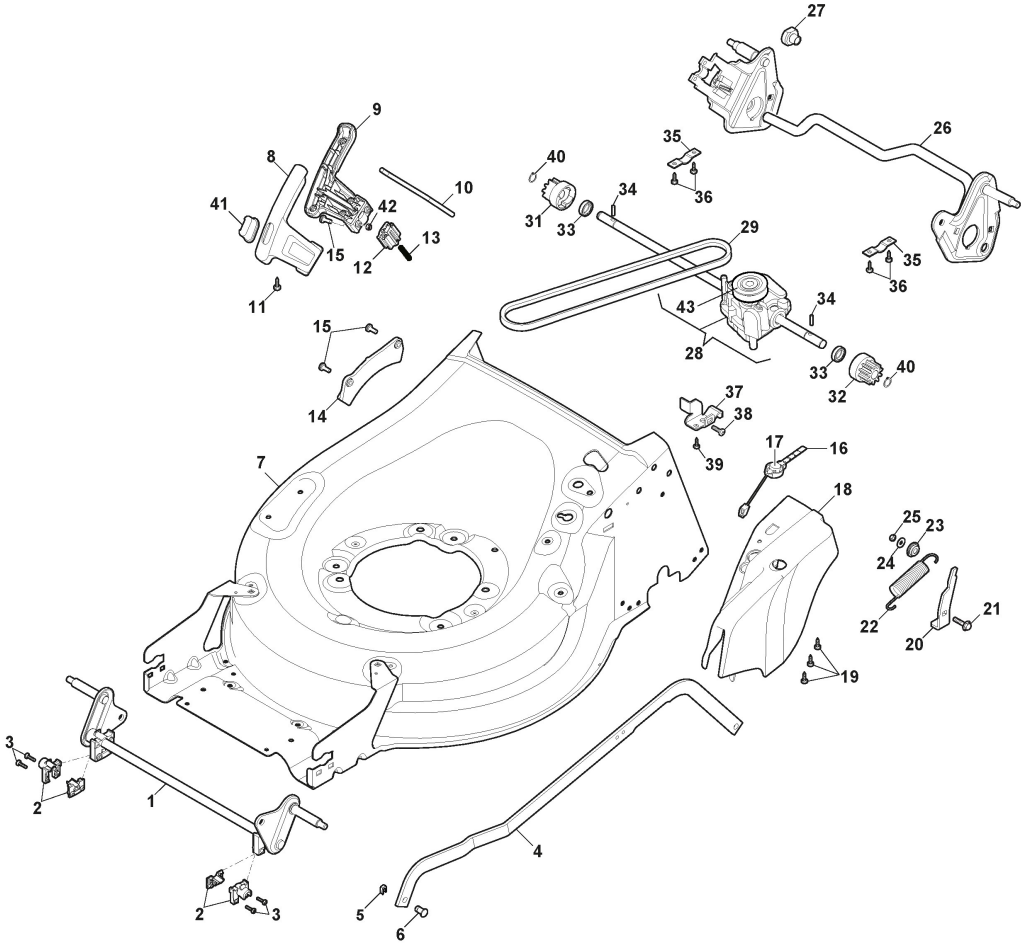
TWINCLIP 50 SVEQ B (2022)

294513528/ST2

Spare parts list **Reservdelar** **Repuestos** **Ersatzteile** **Pièces détachées** **Reserve onderdelen** **Catalogo ricambi**

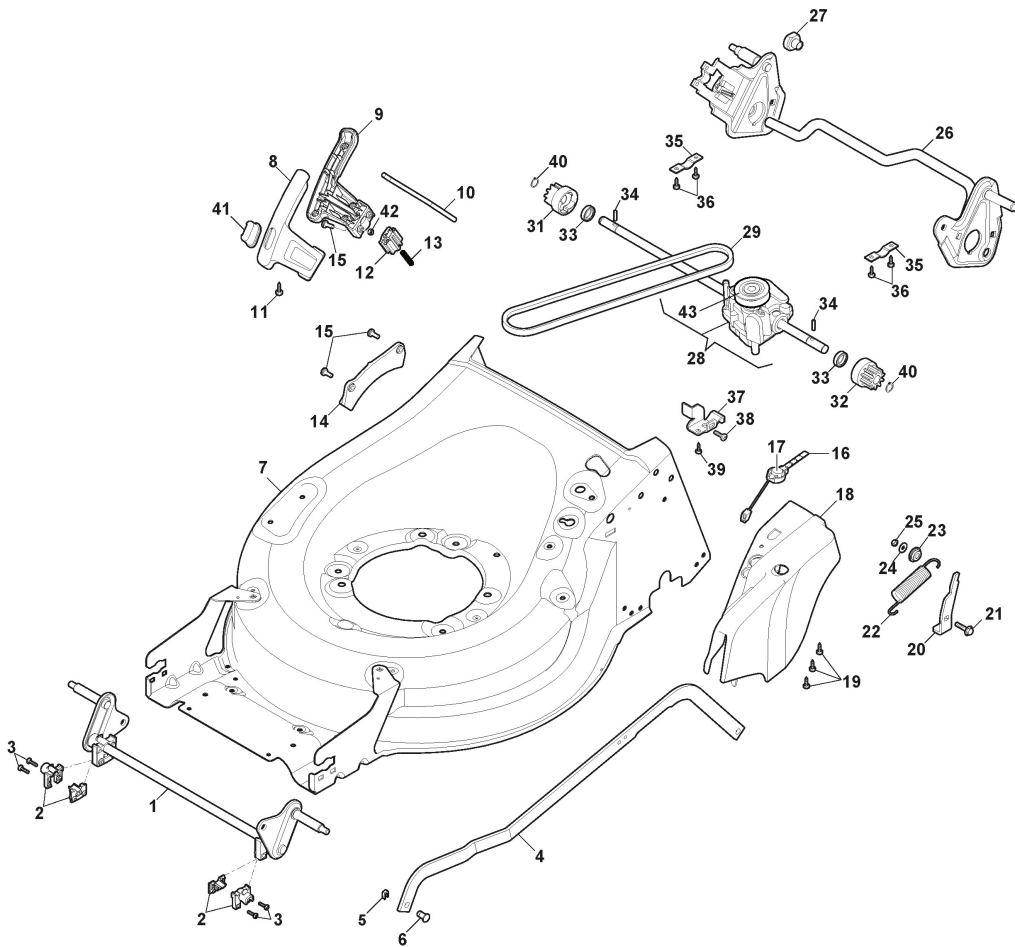
- Use ST. S.p.A. Genuine Spare Parts specified in the parts list for repair and/or replacement.
- The contents described in the parts list may change due to improvement.
- The drawings of the spare parts are only indicative And might Not represent the part in question exactly.
- The indications "right" - "left" - "front" - "rear" refer to the position of the operator when using the machine.
- When placing orders of parts for repair And/Or replacement, make sure that the illustrated parts list Is the one applying to the machine's year of manufacture, as shown on the identification plate attached to the machine.

All rights reserved. No part Of this material may be reproduced Or transmitted, in any form Or by any means, electronic Or mechanical, including photocopying, recording Or by any information storage And retrieval system, without permission in writing from ST. S.p.A.



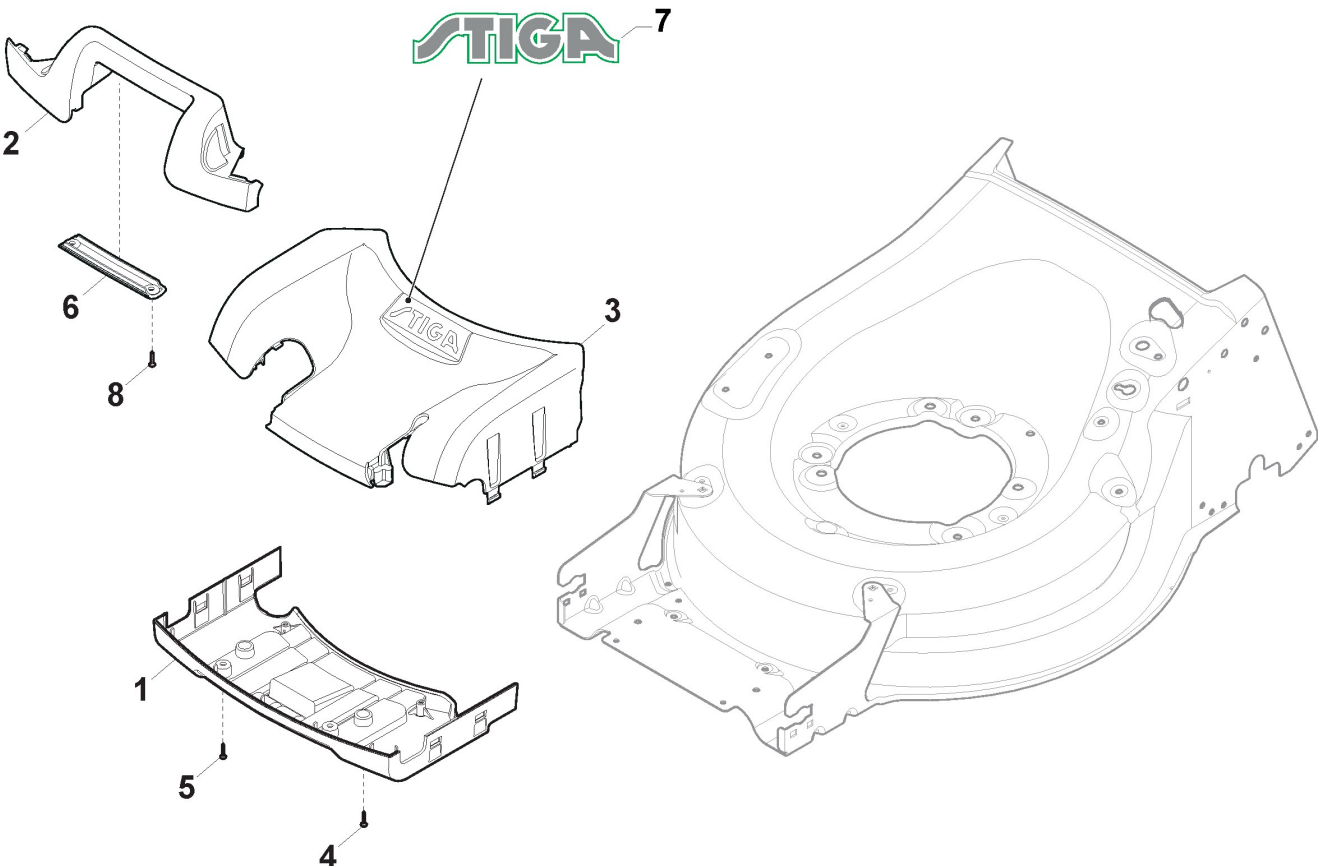
Deck And Height Adjusting

| Ref.nr. | Antal | Komponentkode | Beskrivelse | Noter | From | Op til |
|---------|-------|---------------|---------------------------|-------------------------------|----------------------|------------------------------|
| 1 | 1 | 381302901/0 | Axle, Front Wheels | | | To S/N 20CA2WB H016179 |
| 1 | 1 | 381302901/1 | Front Wheel Axle | | From S/N 20CA2WB | |
| 2 | 2 | 322785305/1 | Support | | | |
| 3 | 4 | 112728697/0 | Screw | | | |
| 4 | 1 | 322869697/0 | Adjustment Rod | | | To S/N 20CA2WB H010962 |
| 4 | 1 | 322869697/1 | Adjustment Rod | | From S/N 20CA2WB | |
| 5 | 2 | 112436050/0 | Plate | | | |
| 6 | 2 | 122519823/0 | Pin | | | |
| 7 | 1 | 381004836/0 | Grey Deck | Side Discharge | | To 31-August- 2018 |
| 7 | 1 | 381004854/0 | Grey Deck | Side Discharge | From 21-8-2018 | |
| 8 | 1 | 322394534/0 | Upper Handle | | | |
| 9 | 1 | 322394554/0 | Lower Handle | Black and Yellow | | |
| 10 | 1 | 322869723/0 | Rod | | | |
| 11 | 4 | 112728697/0 | Screw | | | |
| 12 | 1 | 322109580/0 | Slide | | | |
| 13 | 1 | 122450484/0 | Spring | | | |
| 14 | 1 | 322735592/0 | Sector, Height Adjustment | | | |
| 15 | 2 | 112735654/0 | Screw | | | |
| 16 | 1 | 322602031/0 | Position Plate | | | |
| 17 | 1 | 322602027/0 | Lens | | | |
| 18 | 1 | 322055334/0 | Deck, Adjustment | | | |
| 19 | 3 | 112728904/0 | Screw | | | |
| 20 | 1 | 322778475/0 | Bracket | | | |
| 21 | 1 | 112815270/0 | Screw | | | |
| 22 | 1 | 122450480/0 | Spring | | | |
| 23 | 1 | 122517873/0 | Pin | | | |
| 24 | 1 | 112523040/0 | Washer | | | |
| 25 | 1 | 112154510/0 | Nut | | | |
| 26 | 1 | 381302905/0 | Rear Wheel Axle | | | To S/N 20BA2WBH 093245 |
| 26 | 1 | 381302905/1 | Rear Wheel Axle | | From S/N 20BA2WBH | |
| 27 | 2 | 322038407/0 | Brass | | | |
| 28 | 1 | 181003119/0 | Gear Box | Pulley included | | |
| 29 | 1 | 1111-9264-01 | Belt | Stiga Packed into 135064393/0 | | |
| 29 | 1 | 135064393/0 | Belt | | | |
| 31 | 1 | 122570110/1 | Pinion Right | Metal | | |
| 31 | 1 | 322570138/0 | Right Pinion | Plastic | | |
| 32 | 1 | 122570120/1 | Pinion Left | Metal | | |
| 32 | 1 | 322570139/0 | Left Pinion | Plastic | | |
| 33 | 2 | 119216035/0 | Bearing | | | |
| 34 | 2 | 122753000/0 | Pin | | | |
| 35 | 2 | 322545147/0 | Plate | | | |
| 36 | 4 | 112735654/0 | Screw | | | |
| 37 | 1 | 322778491/0 | Plate | | | |
| 38 | 1 | 112735664/0 | Screw | | | |
| 39 | 1 | 112735654/0 | Screw | | | |
| 40 | 4 | 112608600/0 | Seeger | | | |
| 41 | 1 | 322602029/0 | Button | | | |
| 42 | 2 | 112154330/0 | Nut | | | |



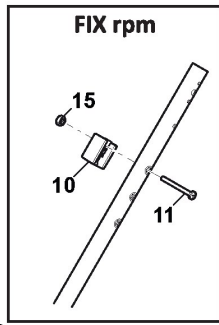
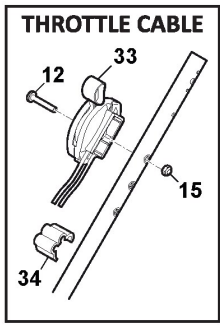
Deck And Height Adjusting

| Ref.nr. | Antal | Komponentkode | Beskrivelse | Noter | From | Op til |
|---------|-------|---------------|-------------|-------|------|--------|
| 43 | 1 | 118811482/0 | Pulley | | | |

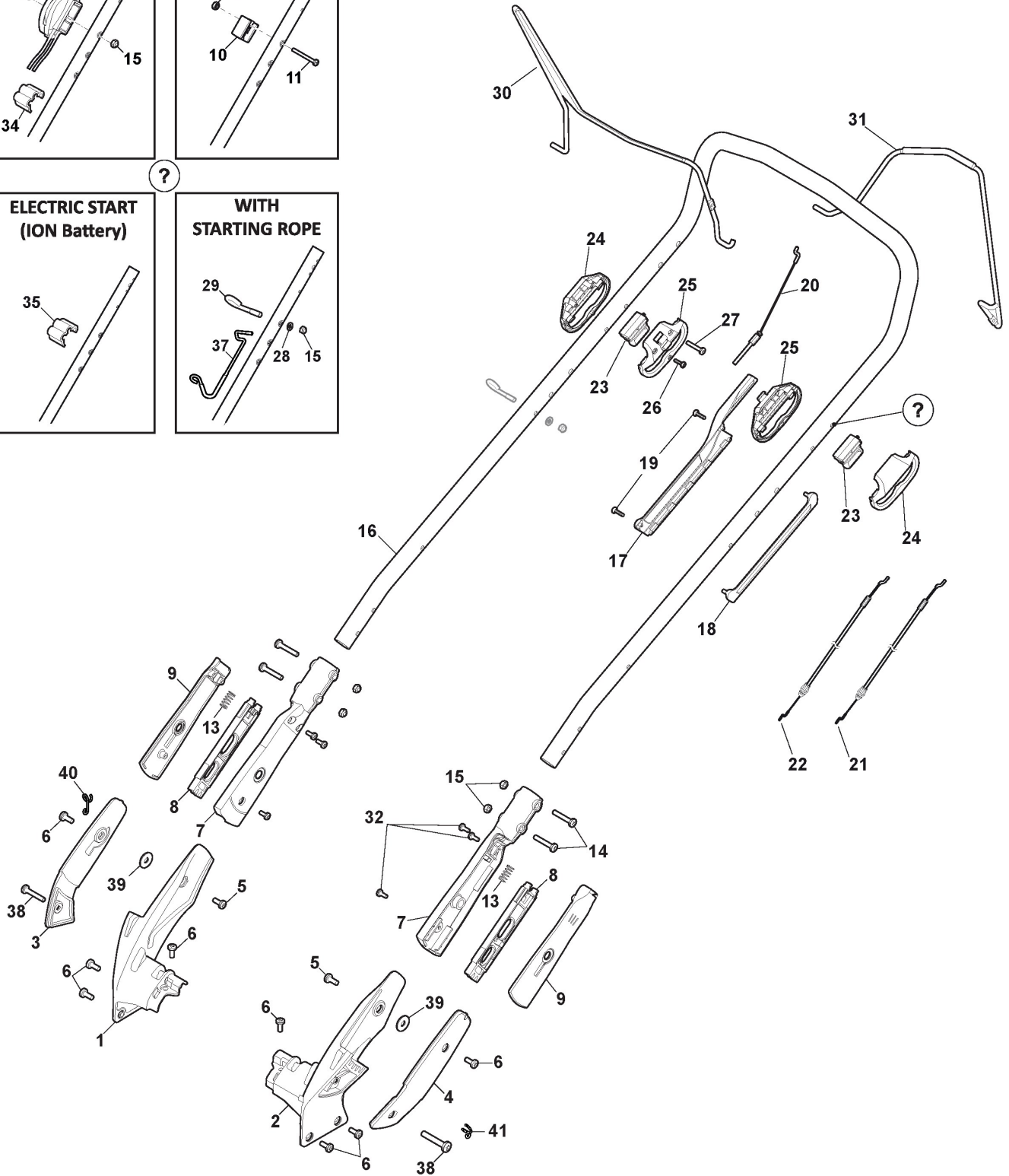
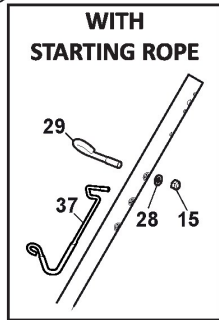
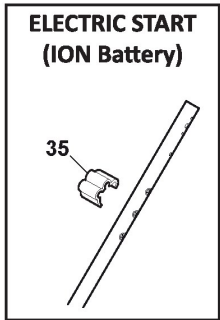


Mask

| Ref.nr. | Antal | Komponentkode | Beskrivelse | Noter | From | Op til |
|---------|-------|---------------|------------------|-------|------|--------|
| 1 | 1 | 322500111/0 | Front Combi | | | |
| 2 | 1 | 381393703/0 | Handle | | | |
| 3 | 1 | 322226240/0 | Mask, Grey | | | |
| 4 | 2 | 112735654/0 | Screw | | | |
| 5 | 4 | 112728697/0 | Screw | | | |
| 6 | 1 | 322393756/0 | Front Handle | | | |
| 7 | 1 | 114367494/2 | Label STIGA logo | | | |
| 8 | 2 | 112728210/0 | Screw | | | |

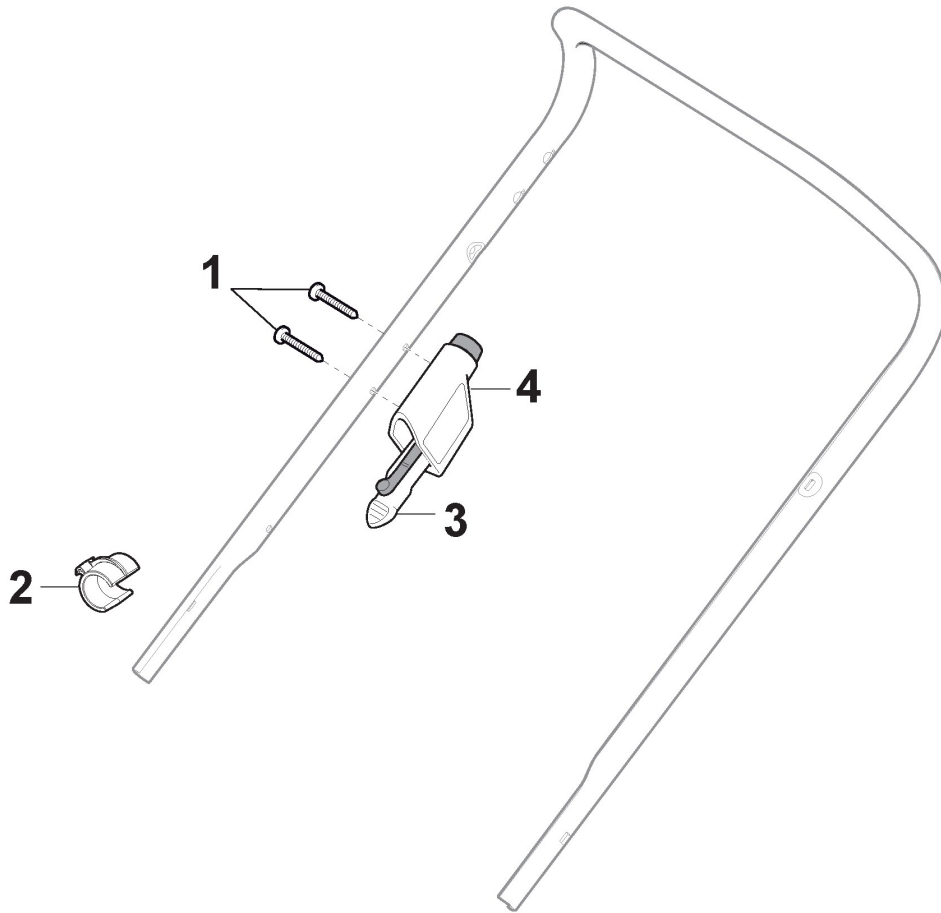


?

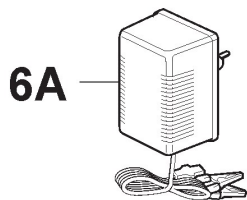


Handle, Upper Part

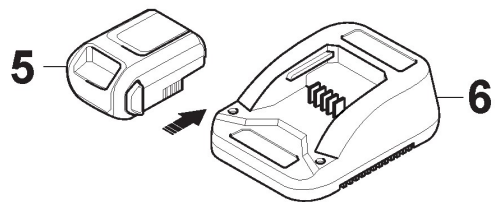
| Ref.nr. | Antal | Komponentkode | Beskrivelse | Noter | From | Op til |
|---------|-------|---------------|----------------------------|---|------|--------|
| 1 | 1 | 381005219/1 | Right Bracket | | | |
| 2 | 1 | 381005221/1 | Left Bracket | | | |
| 3 | 1 | 381005239/0 | Cover, Right | | | |
| 4 | 1 | 381005241/0 | Cover, Left | | | |
| 5 | 2 | 122517885/0 | Pin | | | |
| 6 | 9 | 112735664/0 | Screw | | | |
| 7 | 2 | 381005243/0 | External Guide | | | |
| 8 | 2 | 322246106/0 | Cursor | | | |
| 9 | 2 | 381005245/0 | Internal Guide | | | |
| 10 | 1 | 322551684/0 | Cable Holder ø25 | | | |
| 11 | 1 | 112727784/0 | Screw | for FIX rpm | | |
| 12 | 1 | 112727786/0 | Screw | for Throttle Cable | | |
| 13 | 2 | 125430202/1 | Spring | | | |
| 14 | 4 | 112727799/0 | Screw | | | |
| 15 | 6 | 112154510/0 | Nut | | | |
| 16 | 1 | 381007578/1 | Handle, Upper Part | | | |
| 17 | 1 | 322806650/0 | Support, Internal | | | |
| 18 | 1 | 322806651/0 | Support, External | | | |
| 19 | 2 | 112728713/0 | Screw | | | |
| 20 | 2 | 381030123/0 | Cable Com. Cursor. Assy | | | |
| 21 | 1 | 381030118/0 | Clutch Cable | | | |
| 22 | 1 | 181030087/0 | Cable, Thread Engine Brake | | | |
| 23 | 2 | 322394540/0 | Lever, Yellow | | | |
| 24 | 2 | 322722821/0 | External Protection | | | |
| 25 | 2 | 322722820/0 | Internal Protection | | | |
| 26 | 2 | 112728696/0 | Screw | | | |
| 27 | 2 | 112728705/0 | Screw | | | |
| 28 | 1 | 112521330/0 | Washer | | | |
| 29 | 1 | 122430313/0 | Guide Spring | For models without electric start | | |
| 30 | 1 | 181003437/0 | Lever, Engine Brake Black | | | |
| 31 | 1 | 181003438/1 | Drive Control Lever, Black | | | |
| 32 | 1 | 112735651/0 | Screw | | | |
| 33 | 1 | 181005541/0 | Throttle Cable | | | |
| 34 | 1 | 118390020/0 | Conduit Clip | | | |
| 35 | 1 | 118390020/0 | Conduit Clip | for electric start engine (ION Battery) | | |
| 37 | 1 | 122430318/0 | Guide Spring | For models without electric start | | |
| 38 | 2 | 112735660/0 | Screw | | | |
| 39 | 2 | 9694-0001-00 | Washer | | | |
| 40 | 1 | 122430323/0 | Spring | | | |
| 41 | 1 | 122430324/0 | Guide Spring | | | |



**BATTERY CHARGER FOR B&S 475-575-675-775 isi
WITH INTEGRATED BATTERY**

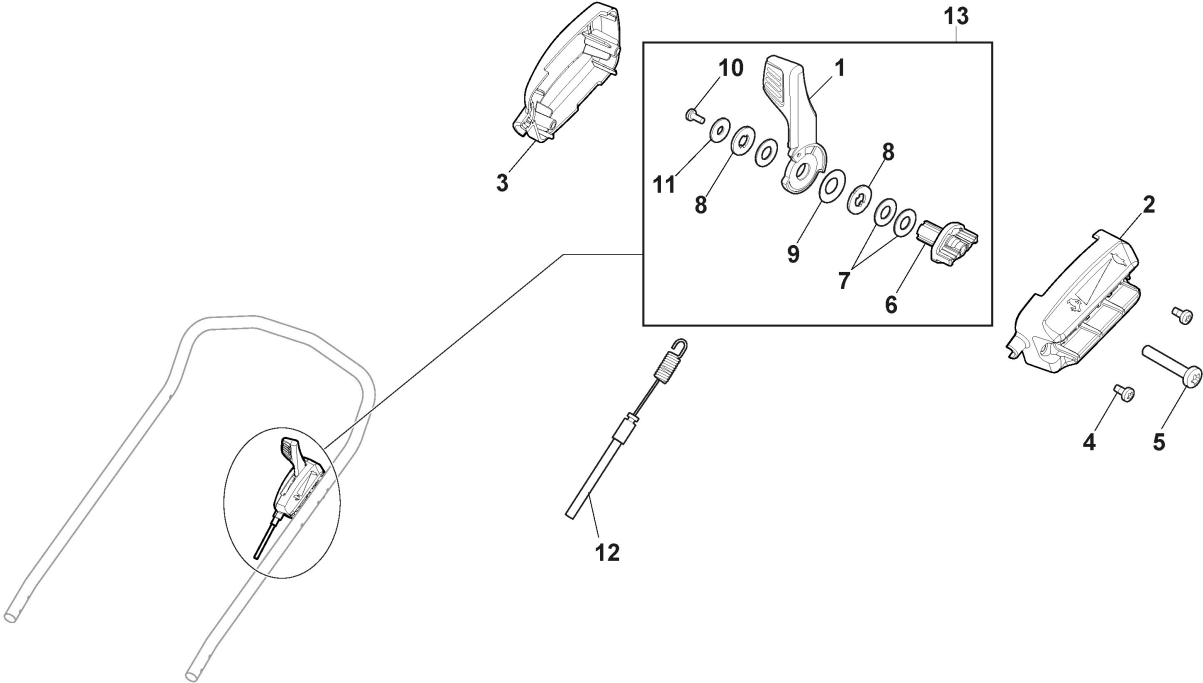


**BATTERY & BATTERY CHARGER FOR B&S 575-675-775 is
WITH REMOVABLE BATTERY**



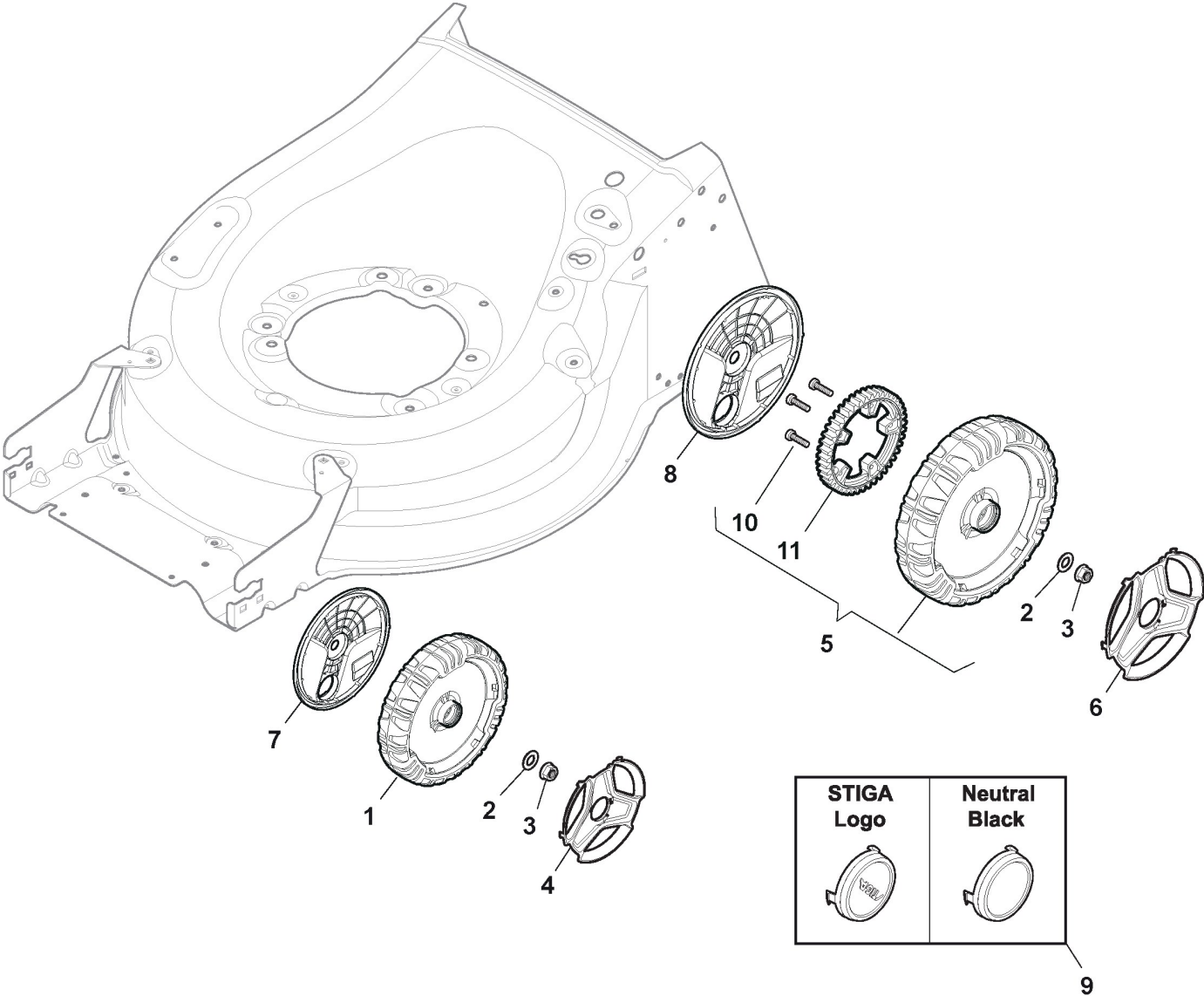
Electric Start Controls

| Ref.nr. | Antal | Komponentkode | Beskrivelse | Noter | From | Op til |
|---------|-------|---------------|-------------------------------|------------------------------|------|--------|
| 1 | 2 | 112728702/0 | Screw | | | |
| 2 | 1 | 133320022/0 | Fastpoint Clamp Art.0384.Aa01 | | | |
| 3 | 1 | 322076570/1 | Battery Safety Key | | | |
| 4 | 1 | 381600406/0 | Ignition Switch | L=1120 | | |
| 6A | 1 | 118204157/0 | Battery Charger | CE Plug - Integrated battery | | |



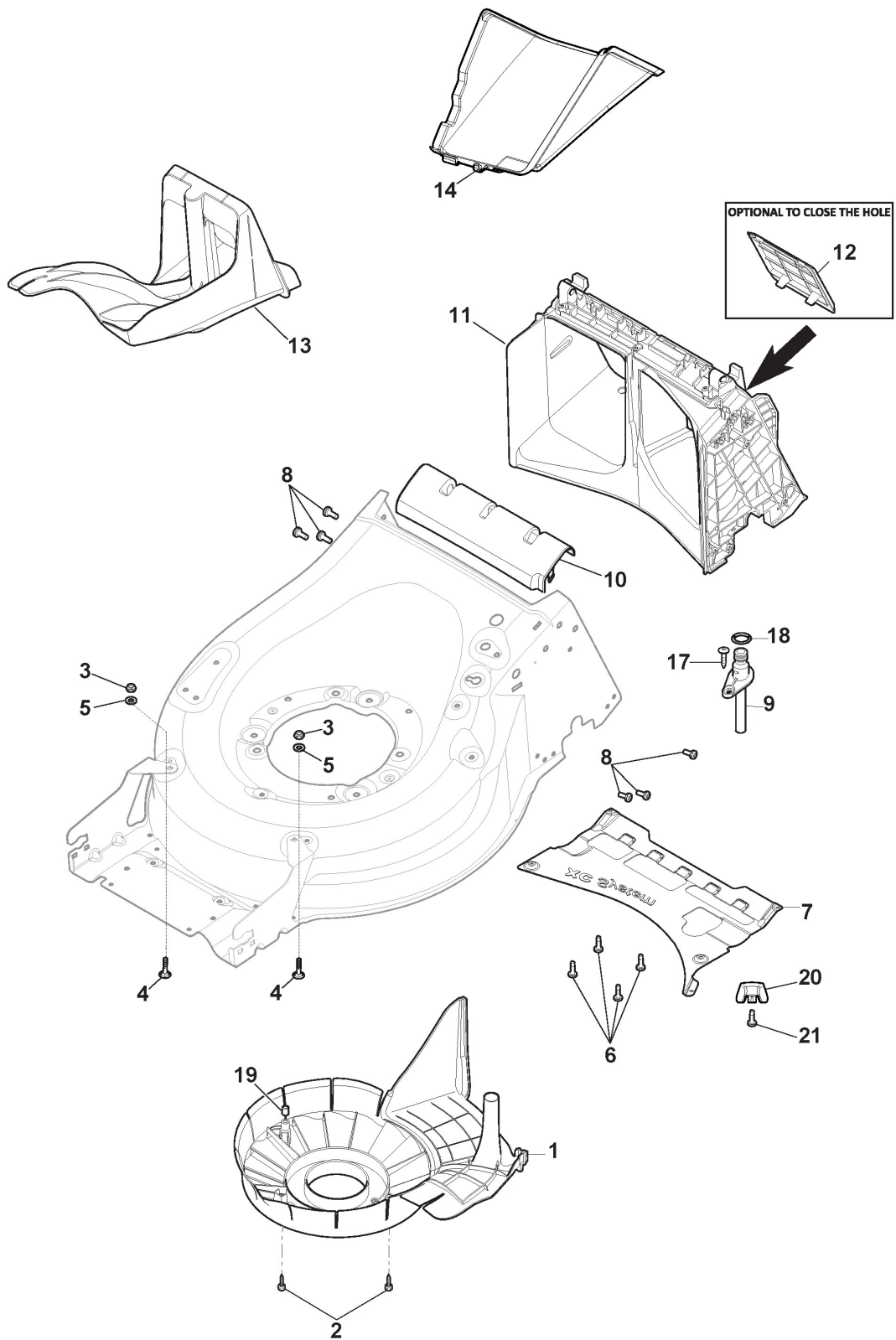
Control Speed Variator

| Ref.nr. | Antal | Komponentkode | Beskrivelse | Noter | From | Op til |
|---------|-------|---------------|-----------------------------------|------------|-----------------------|---------------------|
| 1 | 1 | 381007228/0 | Variator Lever Assy | Yellow | | To S/N SK7641681 |
| 1 | 1 | 381007228/1 | Variator Lever Assy | Yellow | From S/N 317211222 | |
| 2 | 1 | 322722832/0 | Starting Block Outer Half-Bearing | Stiga Grey | | |
| 3 | 1 | 322722831/0 | Starting Block Inner Half-Bearing | Stiga Grey | | |
| 4 | 2 | 112728706/0 | Screw | | | |
| 5 | 1 | 112735660/0 | Screw | | | |
| 6 | 1 | 322524358/0 | Pin | | | |
| 7 | 1 | 112508127/0 | Washer | | | |
| 8 | 2 | 322672157/0 | Washer | | | |
| 9 | 2 | 322672155/0 | Washer | | | |
| 10 | 1 | 112735662/1 | Screw | | | |
| 11 | 1 | 112523040/0 | Washer | | | |
| 12 | 1 | 381030119/0 | Variator Cable | | | |
| 13 | 1 | 381007820/0 | Variator Speed Lever Assy ,Yellow | Yellow | | |



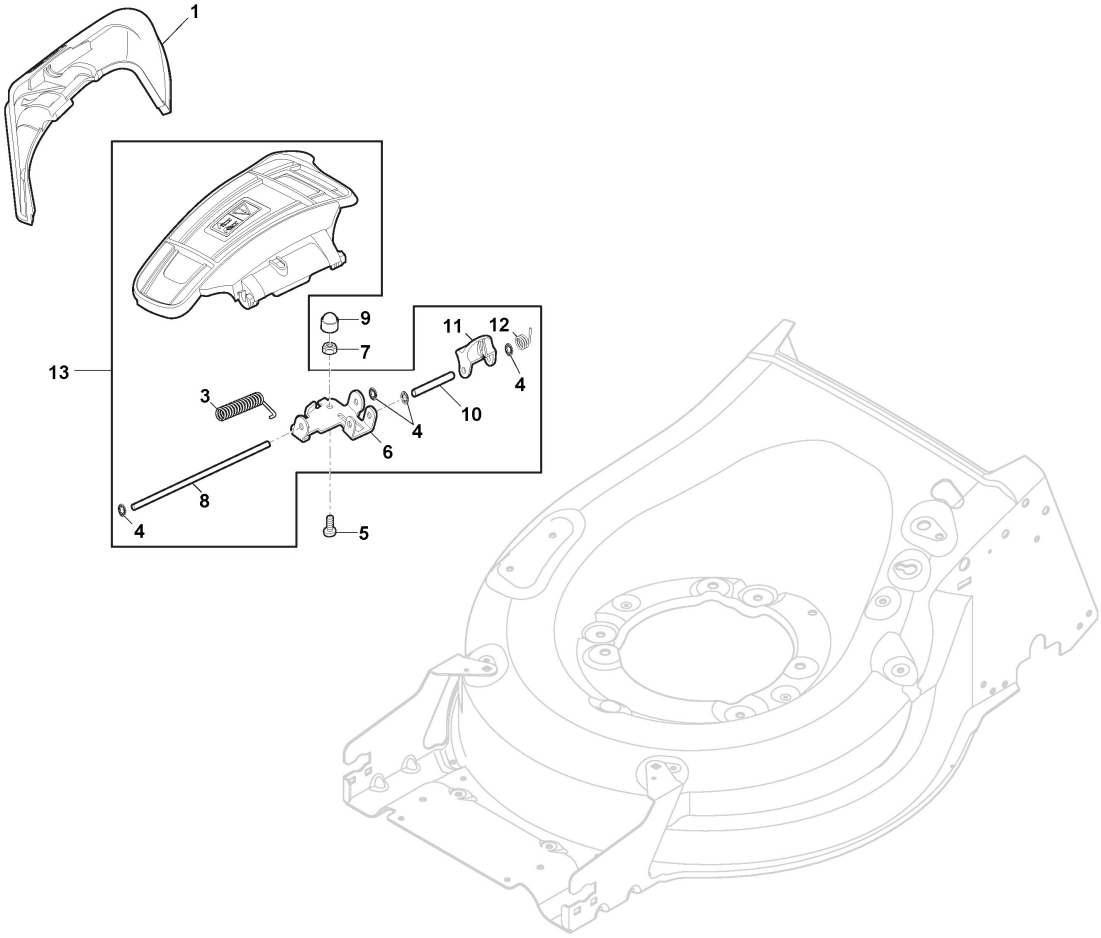
Wheel and Hub Cap

| Ref.nr. | Antal | Komponentkode | Beskrivelse | Noter | From | Op til |
|---------|-------|---------------|-------------------------------|-----------------|------|--------|
| 1 | 2 | 381007498/0 | Wheel | Plastic Wheel | | |
| 2 | 2 | 112521350/0 | Washer | | | |
| 3 | 2 | 112155000/0 | Nut | | | |
| 4 | 2 | 322110796/0 | Hub Cap Grey | Grey | | |
| 5 | 2 | 381007801/0 | Wheel | Plastic Wheel | | |
| 6 | 2 | 322110797/0 | Hub Cap Grey | Grey | | |
| 7 | 2 | 322600334/0 | Protection, Wheel | | | |
| 8 | 2 | 322600333/0 | Protection, Wheel | | | |
| 9 | 4 | 322110798/0 | Hub Cap Grey | with STIGA Logo | | |
| 10 | 6 | 112728706/0 | Screw | | | |
| 11 | 2 | 322120117/0 | Wheels Crown Ø240 Wbh Cruiser | | | |



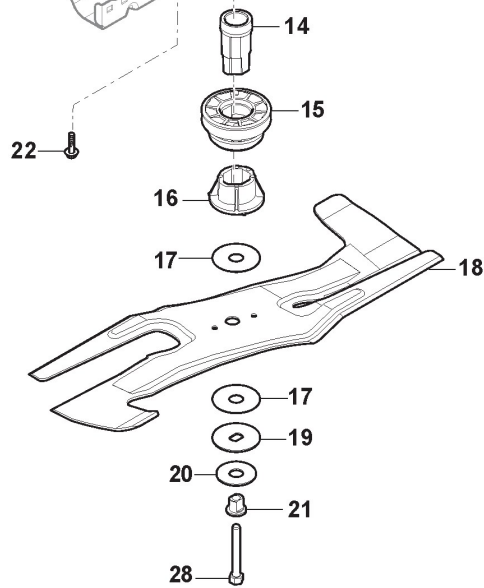
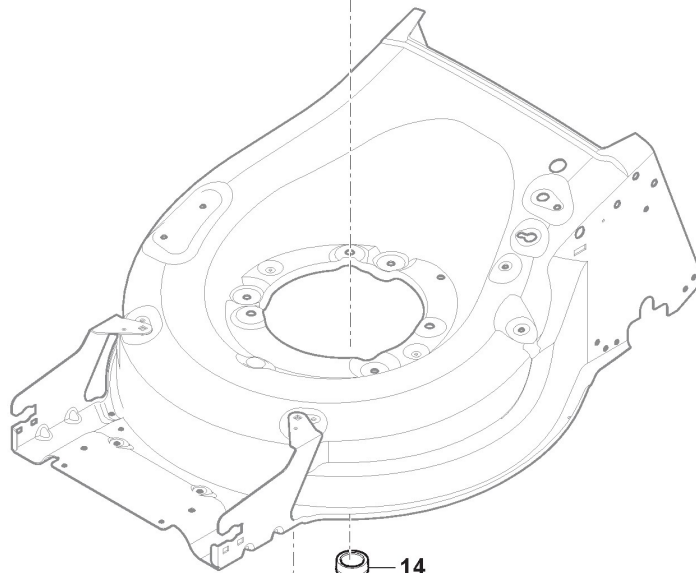
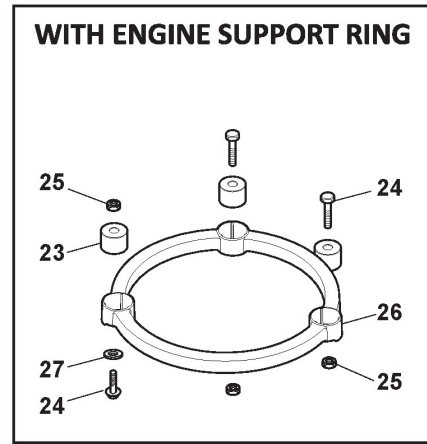
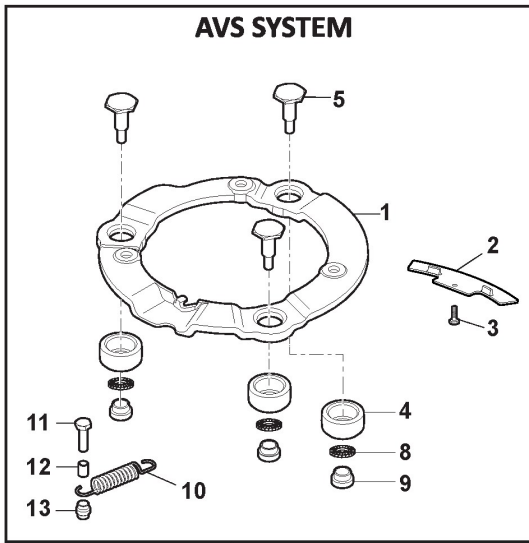
Belt Guard

| Ref.nr. | Antal | Komponentkode | Beskrivelse | Noter | From | Op til |
|---------|-------|---------------|---------------------------|------------------|--------------------------------|----------------------|
| 1 | 1 | 322060270/1 | Carter Mulching | | | To S/N |
| 1 | 1 | 322060270/2 | Carter Mulching | | From S/N 2162150000 | SK8143111 |
| 1 | 1 | 322060270/3 | Carter Mulching | | From S/N 19JA2WBH 023209 | To S/N 1014212111 |
| 2 | 1 | 112735645/0 | Screw | | | |
| 3 | 2 | 112154510/0 | Nut | | | |
| 4 | 2 | 112815205/0 | Screw | | | |
| 5 | 2 | 112521330/0 | Washer | | | |
| 6 | 4 | 112735654/0 | Screw | | | |
| 7 | 1 | 322778493/0 | Lower Case | | | |
| 8 | 6 | 112735664/0 | Screw | | | |
| 9 | 1 | 322034002/0 | Washing Connection | Black Plastic | | |
| 9 | 1 | 322034006/0 | Washing Connection | White Galvanized | | |
| 10 | 1 | 322109578/0 | Stone-Guard Support, Grey | Grey NCS S8000-N | | |
| 11 | 1 | 381004825/0 | Conveyor | | | |
| 12 | 1 | 322600310/0 | Rear door | | | |
| 13 | 1 | 322140247/0 | Deflector | | | |
| 14 | 1 | 322108319/0 | Rear door | | | |
| 17 | 1 | 112728697/0 | Screw | | | |
| 18 | 1 | 119035000/0 | Or Ring | | | |
| 19 | 2 | 122042073/0 | Bush | | | |
| 20 | 1 | 322943101/0 | Screw | | | |
| 21 | 1 | 112728706/0 | Screw | | | |



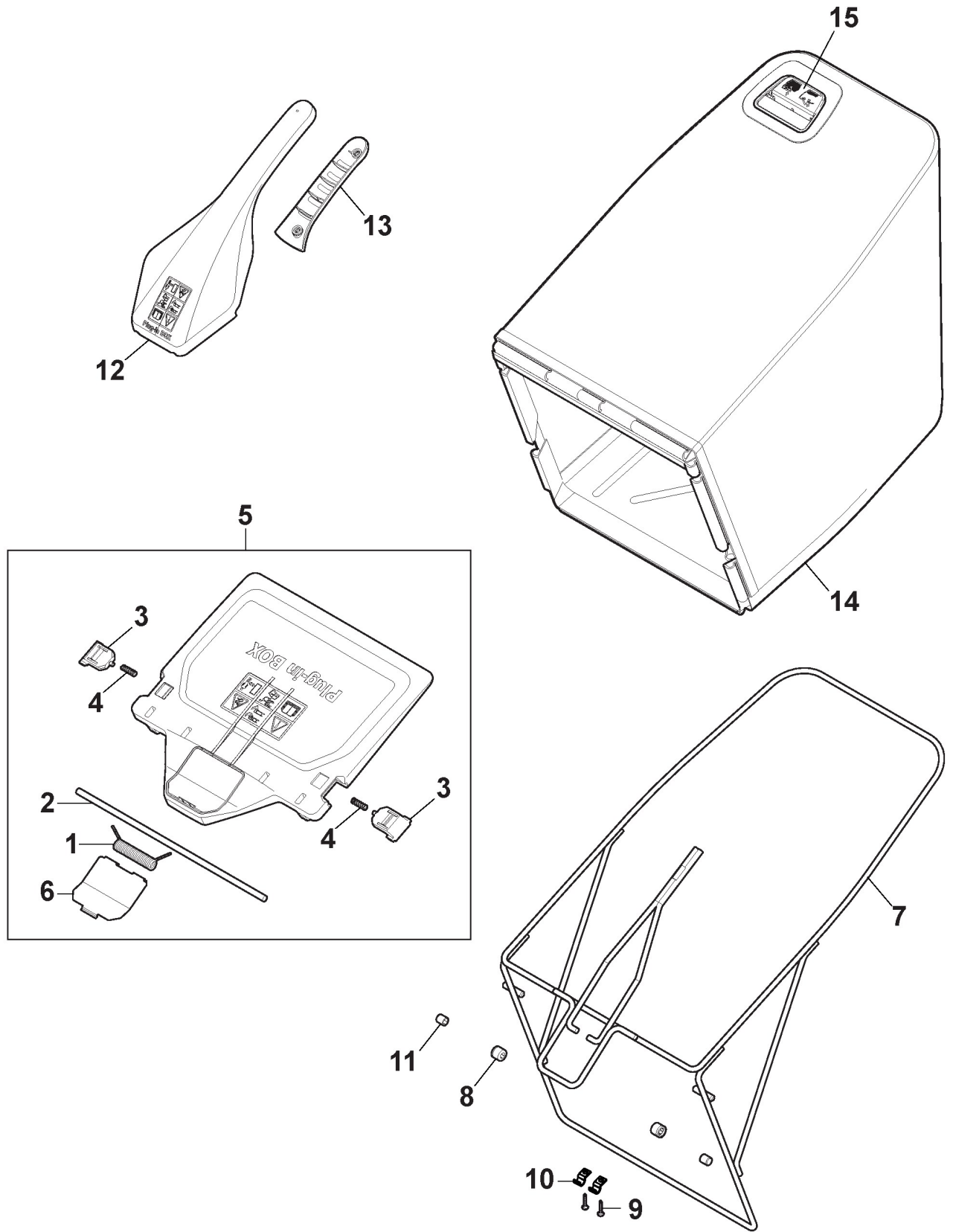
Ejection-Guard

| Ref.nr. | Antal | Komponentkode | Beskrivelse | Noter | From | Op til |
|---------|-------|---------------|---------------------------------|-------|------|--------|
| 1 | 1 | 322108315/0 | Conveyor | | | |
| 3 | 1 | 122450456/1 | Spring | | | |
| 4 | 4 | 112604896/0 | Crown Fastener | | | |
| 5 | 2 | 112727803/0 | Screw | | | |
| 6 | 1 | 322806659/0 | Fulcrum Pin | | | |
| 7 | 2 | 112154510/0 | Nut | | | |
| 8 | 1 | 122517869/1 | Pin | | | |
| 9 | 2 | 118203853/0 | Cap | | | |
| 10 | 1 | 122517876/0 | Pin | | | |
| 11 | 1 | 322783013/0 | Safety Button | | | |
| 12 | 1 | 122450493/0 | Spring | | | |
| 13 | 1 | 381008162/1 | Stone Guard Side Discharge Assy | | | |



Blade

| Ref.nr. | Antal | Komponentkode | Beskrivelse | Noter | From | Op til |
|---------|-------|---------------|-------------|-------------------------------|-------------------------------|--------|
| 1 | 1 | 381207230/0 | Flange | Yellow | | |
| 2 | 1 | 322551536/0 | Plate | | | |
| 3 | 1 | 112728210/0 | Screw | | | |
| 4 | 3 | 322250015/0 | Grommet | | | To |
| 4 | 3 | 322250015/1 | Grommet | | From 10-Decemb er-2020 | |
| 5 | 3 | 122519816/0 | Pin | | | |
| 8 | 3 | 112543002/0 | Washer | | | |
| 9 | 3 | 112155000/0 | Nut | | | |
| 10 | 1 | 122450439/0 | Spring | | | |
| 11 | 1 | 112791400/0 | Screw | | | |
| 12 | 1 | 122170846/0 | Spacer | | | |
| 13 | 1 | 112154510/0 | Nut | | | |
| 14 | 1 | 122785493/0 | Support | | | |
| 15 | 1 | 122601933/0 | Pulley | | | |
| 16 | 1 | 1111-9262-01 | Blade Hub | Stiga Packed into 122465656/0 | | |
| 16 | 1 | 122465656/0 | Blade Hub | | | |
| 17 | 2 | 322672110/1 | Washer | | | |
| 18 | 1 | 1111-9256-01 | Blade | Stiga Packed into 181004415/0 | | To |
| 18 | 1 | 1111-9256-02 | Blade | Stiga Packed into 181004415/0 | From 01-Septem ber-2018 | |
| 18 | 1 | 181004415/0 | Blade | | | |
| 19 | 1 | 322672105/0 | Washer | | | |
| 20 | 1 | 112508120/0 | Cup Spring | | | |
| 21 | 1 | 122041943/0 | Bush | | | |
| 22 | 3 | 112735108/1 | Screw | To fix the Engine | | |
| 23 | 3 | 122170835/0 | Spacer | | | |
| 24 | 3 | 112691700/0 | Screw | | | |
| 25 | 3 | 112154210/0 | Nut | | | |
| 26 | 1 | 322170964/0 | Protection | | | |
| 27 | 1 | 112521350/0 | Washer | | | |
| 28 | 1 | 112736820/0 | Screw | | | |



Grass-Catcher

| Ref.nr. | Antal | Komponentkode | Beskrivelse | Noter | From | Op til |
|---------|-------|---------------|----------------------------|-----------------------|-------------------|----------------|
| 1 | 1 | 122450485/0 | Spring | | | |
| 2 | 1 | 122517884/0 | Pin | | | |
| 3 | 2 | 322109579/0 | Support | | | |
| 4 | 2 | 122450482/0 | Spring | | | |
| 5 | 1 | 381008155/0 | Stone Guard, Black | | | To |
| 5 | 1 | 381008155/1 | Stone Guard, Black | | From | 31-August-2016 |
| 6 | 1 | 322551678/0 | Plate | | | |
| 7 | 1 | 181006431/0 | Textile Grasscatcher Frame | | | To |
| 7 | 1 | 181006431/1 | Textile Grasscatcher Frame | | From | |
| 8 | 2 | 322109582/0 | Protection | | 01-September-2019 | |
| 9 | 4 | 112728713/0 | Screw | | | |
| 10 | 2 | 325774220/0 | Bracket | | | |
| 11 | 2 | 322109581/0 | Protection | | | |
| 12 | 1 | 322393753/0 | Handle | Stiga Grey | | |
| 13 | 1 | 322394536/0 | Lower Handgrip | Yellow | | |
| 14 | 1 | 181102378/0 | Fabric Box | Black with STIGA Logo | | |
| 15 | 1 | 322486452/0 | Indicator | Yellow | | |