

STIGA

Twinclip 50 SQ B (2020)

294512828/ST1



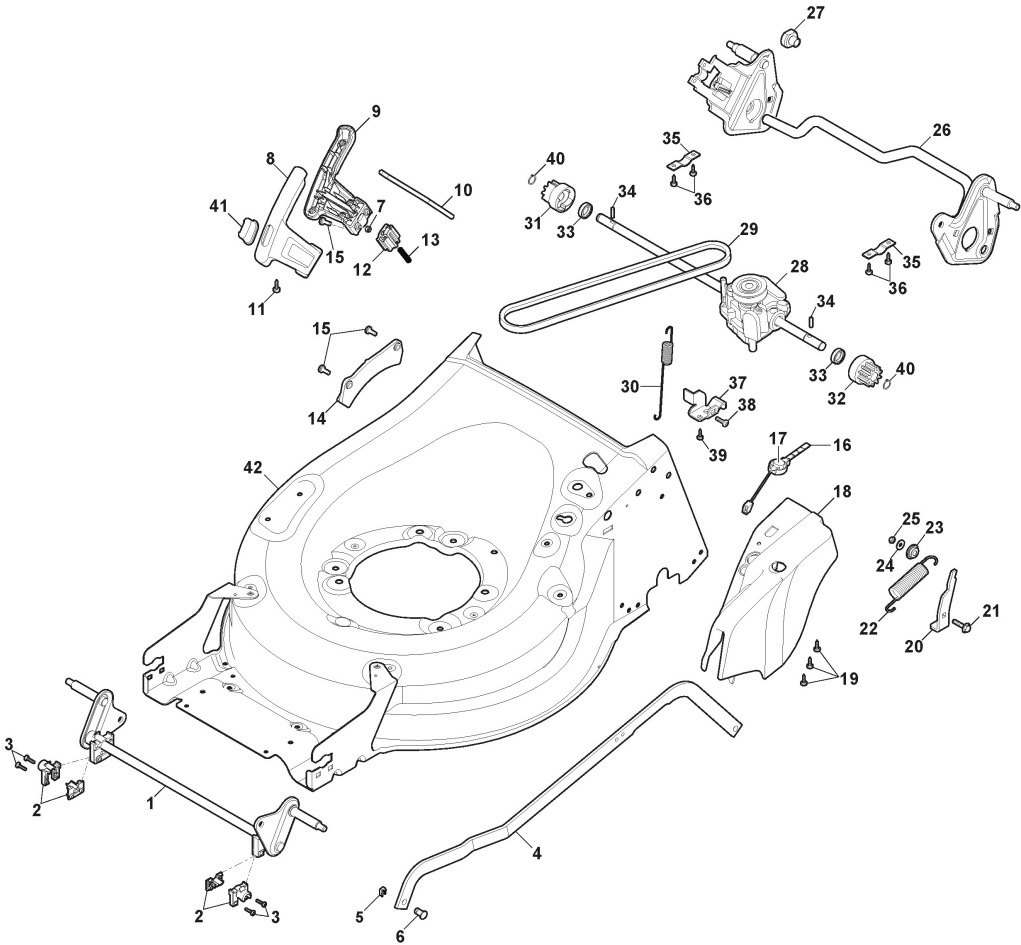
Spare parts list Reservdelar Repuestos Ersatzteile Pièces détachées Reserve onderdelen Catalogo ricambi

- Use ST. S.p.A. Genuine Spare Parts specified in the parts list for repair and/or replacement.
- The contents described in the parts list may change due to improvement.
- The drawings of the spare parts are only indicative And might Not represent the part in question exactly.
- The indications "right" - "left" - "front" - "rear" refer to the position of the operator when using the machine.
- When placing orders of parts for repair And/Or replacement, make sure that the illustrated parts list Is the one applying to the machine's year of manufacture, as shown on the identification plate attached to the machine.

All rights reserved. No part Of this material may be reproduced Or transmitted, in any form Or by any means, electronic Or mechanical, including photocopying, recording Or by any information storage And retrieval system, without permission in writing from ST. S.p.A.

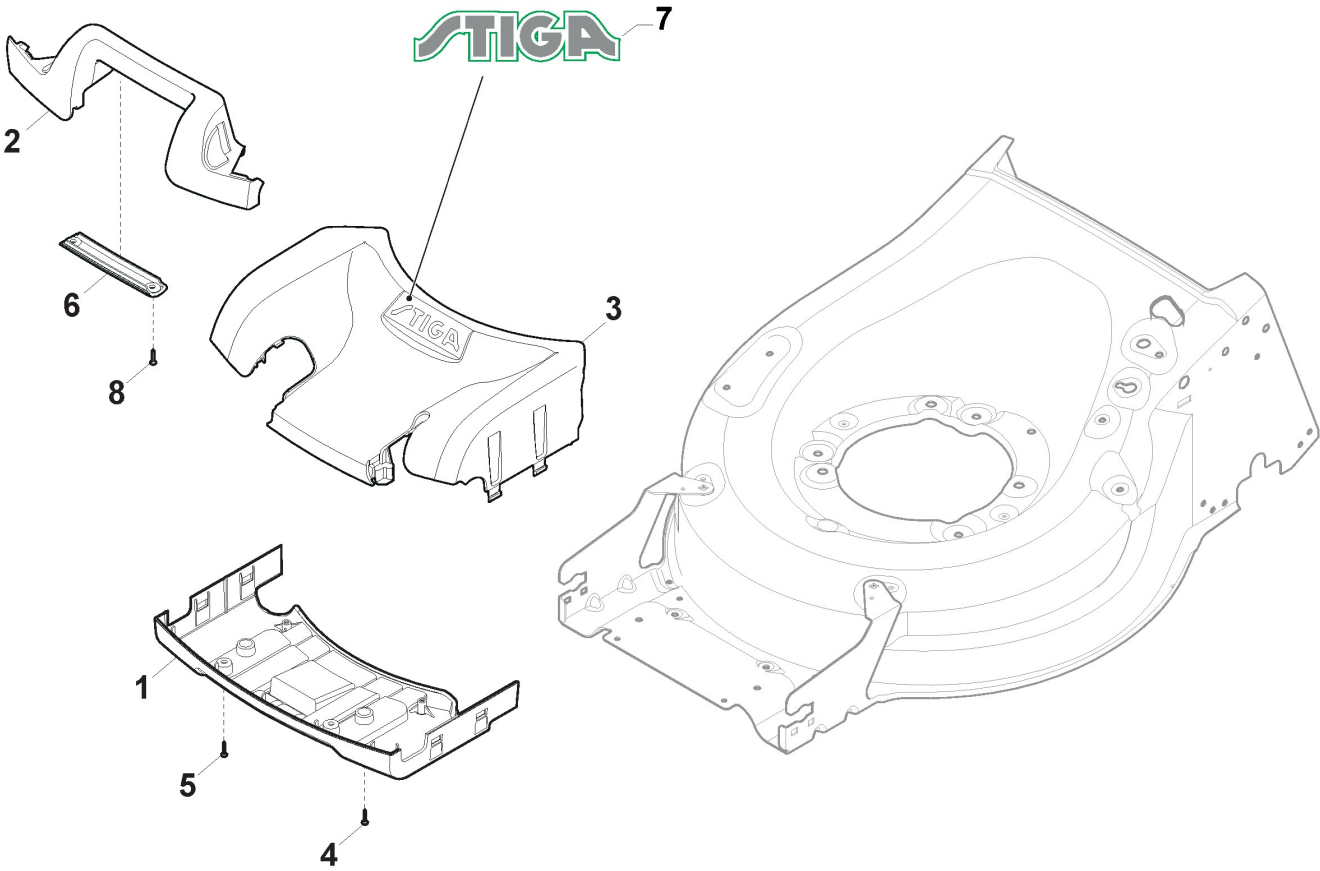
Deck And Height Adjusting

Ref.nr.	Antal	Komponentkode	Beskrivelse	Noter	From	Op til
1	1	381302901/0	Axle, Front Wheels			To S/N 20CA2WB H016179
1	1	381302901/1	Front Wheel Axle		From S/N 20CA2WB	
2	2	322785305/1	Support			
3	4	112728697/0	Screw			
4	1	322869697/0	Adjustment Rod			To S/N 20CA2WB H010962
4	1	322869697/1	Adjustment Rod		From S/N 20CA2WB	
5	2	112436050/0	Plate			
6	2	122519823/0	Pin			
7	2	112154330/0	Nut			
8	1	322394534/0	Upper Handle	Black		
9	1	322394554/0	Lower Handle	Black and Yellow		
10	1	322869723/0	Rod			
11	4	112728697/0	Screw			
12	1	322109580/0	Slide			
13	1	122450484/0	Spring			
14	1	322735592/0	Sector, Height Adjustment			
15	4	112735654/0	Screw			
16	1	322602031/0	Position Plate			
17	1	322602027/0	Lens			
18	1	322055334/0	Deck, Adjustment			
18	1	322055596/0	Deck, Adjustment			
19	3	112728699/0	Screw			
20	1	322778475/0	Bracket			
21	1	112815270/0	Screw			
22	1	122450480/0	Spring			
23	1	122517873/0	Pin			
24	1	112523040/0	Washer			
25	1	112154510/0	Nut			
26	1	381302905/0	Rear Wheel Axle			To S/N 20BA2WBH 093245
26	1	381302905/1	Rear Wheel Axle		From S/N 20BA2WBH	
27	2	322038407/0	Brass			
28	1	181003118/0	Gear Box			
29	1	1111-9252-01	Belt	Stiga Packed into 135063802/0		
29	1	135063802/0	Belt			
30	1	122450478/0	Spring			
31	1	122570110/1	Pinion Right	Metal		
31	1	322570138/0	Right Pinion	Plastic		
32	1	122570120/1	Pinion Left	Metal		
32	1	322570139/0	Left Pinion	Plastic		
33	2	119216035/0	Bearing			
34	2	122753000/0	Pin			
35	2	322545147/0	Plate			
36	4	112735654/0	Screw			
37	1	322778489/0	Plate			
38	1	112735664/0	Screw			
39	1	112735654/0	Screw			
40	4	112608600/0	Seeger			
41	1	322602029/0	Button			



Deck And Height Adjusting

Ref.nr.	Antal	Komponentkode	Beskrivelse	Noter	From	Op til
42	1	381004836/0	Grey Deck	Side Discharge		To
42	1	381004854/0	Grey Deck	Side Discharge	From 01-September-2018	31-August-2018



Mask

Ref.nr.	Antal	Komponentkode	Beskrivelse	Noter	From	Op til
1	1	322500111/0	Front Combi			
2	1	381393703/0	Handle			
3	1	322226240/0	Mask, Grey			
4	2	112735654/0	Screw			
5	4	112728697/0	Screw			
6	1	322393756/0	Front Handle			
7	1	114367494/2	Label STIGA logo			
8	2	112728210/0	Screw			

Handle

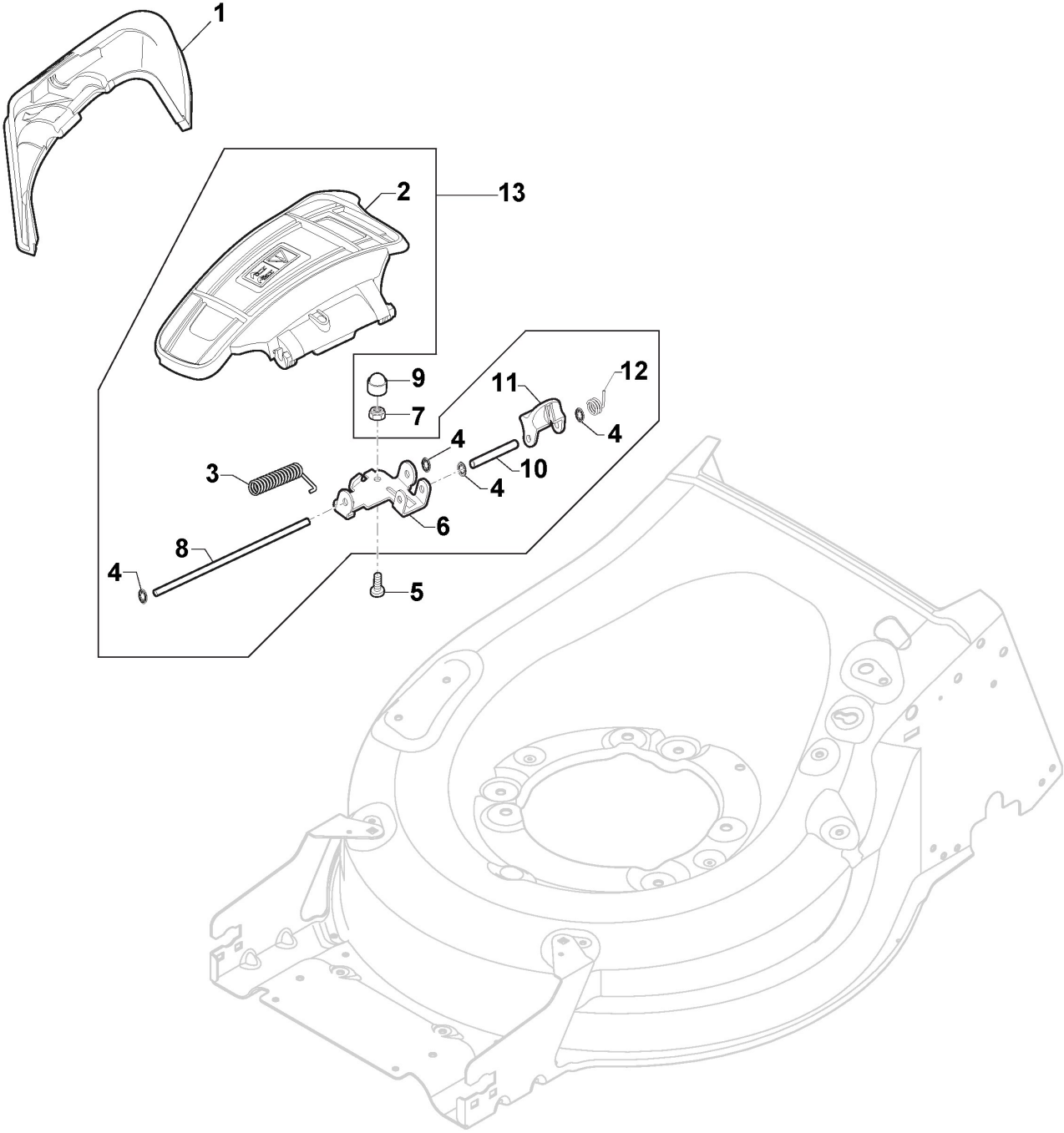
Ref.nr.	Antal	Komponentkode	Beskrivelse	Noter	From	Op til
1	1	381005219/0	Right Bracket			To 03-October-2016
1	1	381005219/1	Right Bracket		From 03-October-2016	
2	1	381005221/0	Left Bracket			To 03-October-2016
2	1	381005221/1	Left Bracket		From 03-October-2016	
3	1	381005223/0	Cover, Right			To 03-October-2016
3	1	381005239/0	Cover, Right		From 03-October-2016	
4	1	381005225/0	Cover, Left			To 03-October-2016
4	1	381005241/0	Cover, Left		From 03-October-2016	
5	2	122517885/0	Pin			
6	9	112735664/0	Screw			
7	2	381005227/0	Cursor Guide	OLD aluminium parts its necessary to supply new version and new version ../1 of handle		To 17-October-2016
7	2	381005243/0	External Guide		From 17-October-2016	
8	2	322246106/0	Cursor			
9	2	381005229/0	Cursor Guide	OLD aluminium parts its necessary to supply new version and new version ../1 of handle		To 17-October-2016
9	2	381005245/0	Internal Guide		From 17-October-2016	
10	1	322551639/0	Fixed Plate		From 17-October-2016	To S/N 20BA2WBH072916
10	1	322551684/0	Cable Holder ø25		From S/N 20BA2WBH072916	
11	1	112727784/0	Screw	for FIX rpm		
12	1	112727786/0	Screw	for Throttle Cable		
13	2	125430202/1	Spring			
14	4	112727799/0	Screw			
15	6	112154510/0	Nut			
16	1	381007578/0	Handle, Upper Part	OLD aluminium parts its necessary to supply new version and new version ../1 of handle		To 17-October-2016
16	1	381007578/1	Handle, Upper Part		From 17-October-2016	
17	1	322806650/0	Support, Internal			
18	1	322806651/0	Support, External			
19	2	112728713/0	Screw			
20	2	381030123/0	Cable Com. Cursor. Assy			
21	1	381030118/0	Clutch Cable			
22	1	181030087/0	Cable, Thread Engine Brake			
23	2	322394540/0	Lever, Yellow			
24	2	322722821/0	External Protection			
25	2	322722820/0	Internal Protection			
26	2	112728696/0	Screw			
27	2	112728705/0	Screw			
28	1	112521330/0	Washer			
29	1	122430313/0	Guide Spring	For models without electric start		
30	1	181003437/0	Lever, Engine Brake Black		From 25-March-2021	
30	1	181003490/0	Control Lever			To 25-March-2021
31	1	181003438/1	Drive Control Lever, Black		From 25-March-2021	
31	1	181003491/0	Drive Control Lever			To 25-March-2021
32	1	112735651/0	Screw			
33	1	181005541/0	Throttle Cable			
34	1	118390020/0	Conduit Clip			
35	1	118390020/0	Conduit Clip	for electric start engine (ION Battery)		

Handle

Ref.nr.	Antal	Komponentkode	Beskrivelse	Noter	From	Op til
37	1	122430318/0	Guide Spring	For models without electric start		
38	2	112735660/0	Screw			
39	2	122675110/0	Washer			To
39	2	9694-0001-00	Washer		From	03-October-
40	1	122430323/0	Spring		2016	
41	1	122430324/0	Guide Spring			

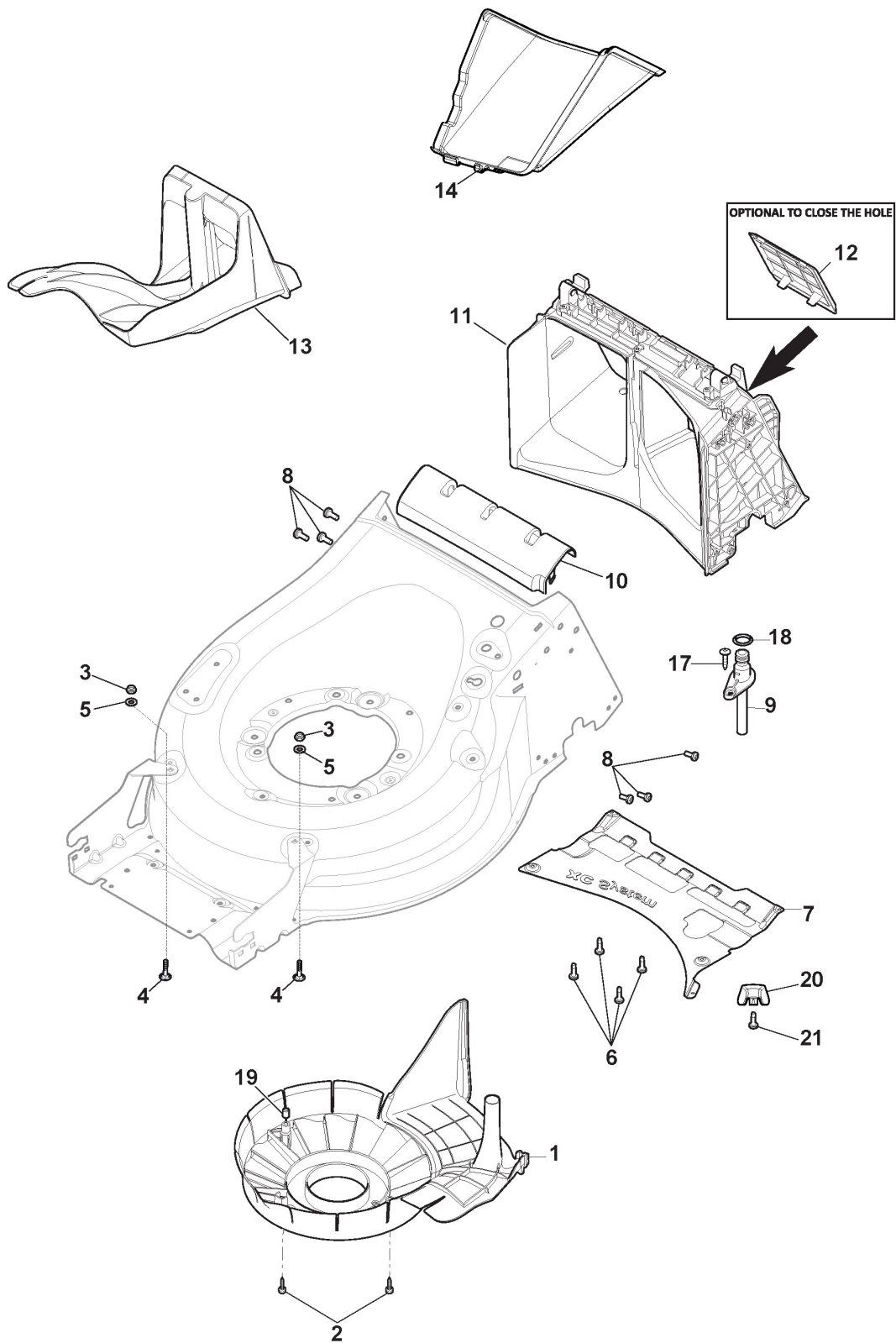
Wheel and Hub Cap

Ref.nr.	Antal	Komponentkode	Beskrivelse	Noter	From	Op til
1	2	381007498/0	Wheel	Plastic Wheel		
2	2	112521350/0	Washer			
3	2	112155000/0	Nut			
4	2	322110796/0	Hub Cap Grey	Grey		
5	2	381007801/0	Wheel	Plastic Wheel		
6	2	322110797/0	Hub Cap Grey	Grey		
7	2	322600334/0	Protection, Wheel			
8	2	322600333/0	Protection, Wheel			
9	4	322110798/0	Hub Cap Grey	with STIGA Logo		
10	6	112728706/0	Screw			
11	2	322120117/0	Wheels Crown Ø240 Wbh Cruiser			



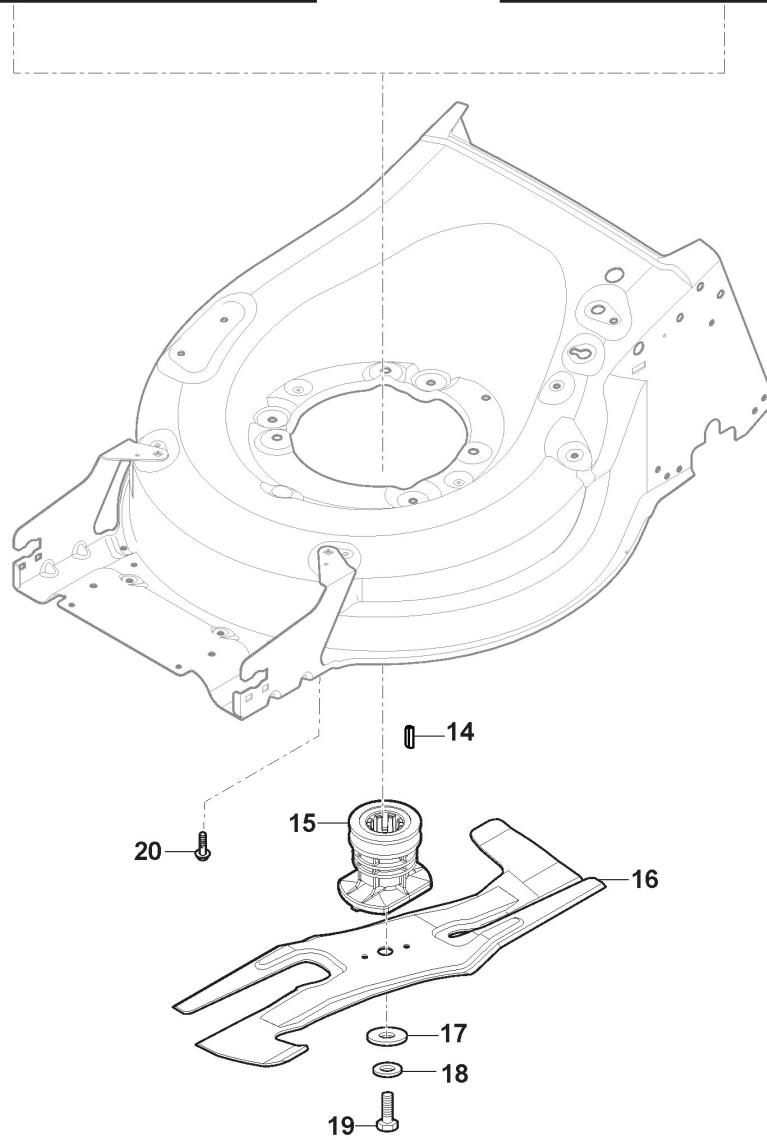
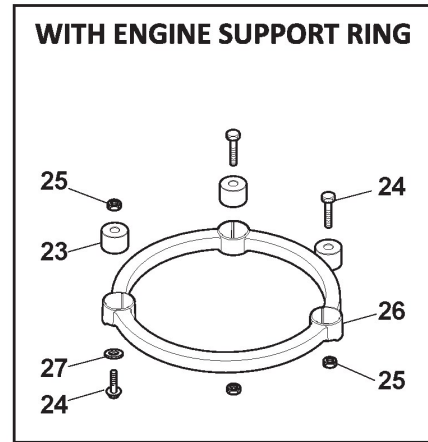
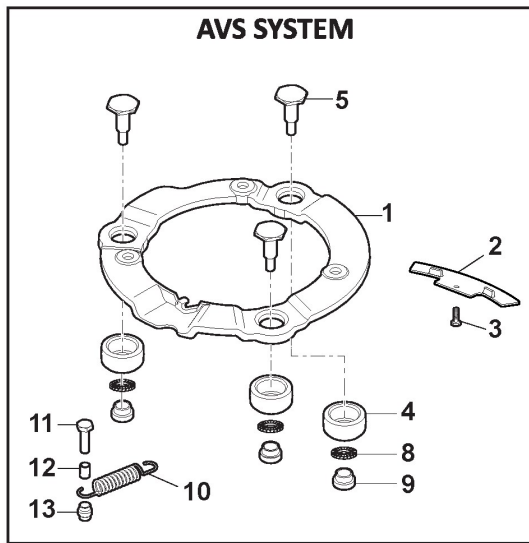
Ejection-Guard

Ref.nr.	Antal	Komponentkode	Beskrivelse	Noter	From	Op til
1	1	322108315/0	Conveyor			
2	1	322600309/1	Stone Guard, Black	Black		To
2	1	322600309/2	Stone Guard, Black	Black	From 01-December-2018	To
3	1	122450456/0	Spring			
3	1	122450456/1	Spring		From 01-January-2019	
4	4	112604896/0	Crown Fastener			
5	2	112727803/0	Screw			
6	1	322806659/0	Fulcrum Pin			
7	2	112154510/0	Nut			
8	1	122517869/1	Pin			
9	2	118203853/0	Cap			
10	1	122517876/0	Pin			
11	1	322783013/0	Safety Button			
12	1	122450493/0	Spring			
13	1	381008162/0	Stone Guard Side Discharge Assy			To 31-December-2018
13	1	381008162/1	Stone Guard Side Discharge Assy		From 01-January-2019	



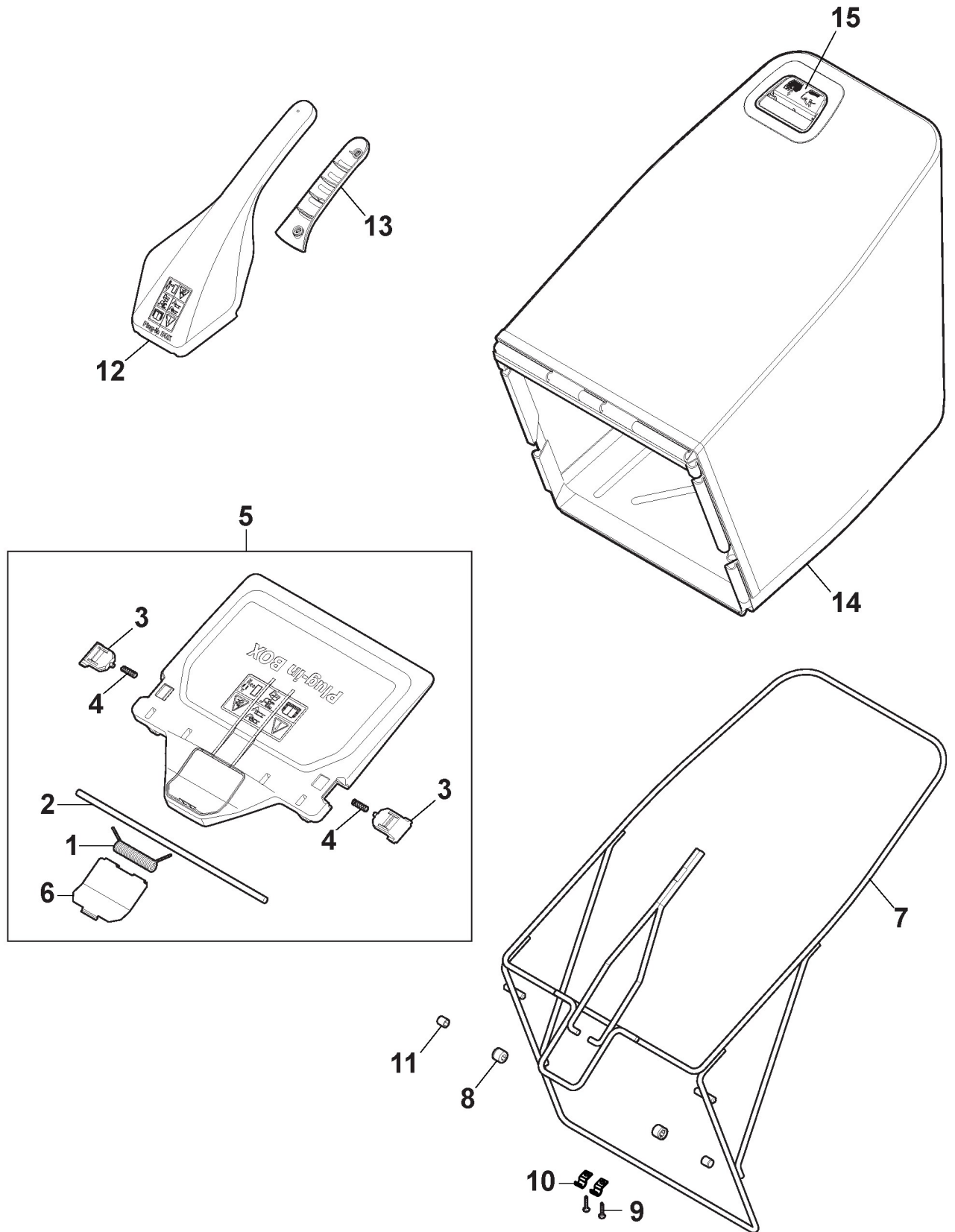
Belt Guard

Ref.nr.	Antal	Komponentkode	Beskrivelse	Noter	From	Op til
1	1	322060270/1	Carter Mulching			To S/N
1	1	322060270/2	Carter Mulching		From S/N	SK8143111
1	1	322060270/3	Carter Mulching		From S/N	To S/N
2	1	112735645/0	Screw		19JA2WBH	
3	2	112154510/0	Nut		023209	
4	2	112815205/0	Screw			
5	2	112521330/0	Washer			
6	4	112735654/0	Screw			
7	1	322778493/0	Lower Case			
8	6	112735664/0	Screw			
9	1	322034002/0	Washing Connection	Black Plastic		
9	1	322034006/0	Washing Connection	White Galvanized		
10	1	322109578/0	Stone-Guard Support, Grey	Grey NCS S8000-N		
11	1	381004825/0	Conveyor			
12	1	322600310/0	Rear door			
13	1	322140247/0	Deflector			
14	1	322108319/0	Rear door			
17	1	112728697/0	Screw			
18	1	119035000/0	Or Ring			
19	2	122042073/0	Bush			
20	1	322943101/0	Screw			
21	1	112728706/0	Screw			



Blade

Ref.nr.	Antal	Komponentkode	Beskrivelse	Noter	From	Op til
1	1	381207230/0	Flange	Yellow		
2	1	322551536/0	Plate			
3	1	112728210/0	Screw			
4	3	322250015/0	Grommet			To
4	3	322250015/1	Grommet		From 10-December-2020	
5	3	122519816/0	Pin			
8	3	112543002/0	Washer			
9	3	112155000/0	Nut			
10	1	122450439/0	Spring			
11	1	112791400/0	Screw			
12	1	122170846/0	Spacer			
13	1	112154510/0	Nut			
14	1	112139100/0	Key			
15	1	1111-9182-01	Blade Holder	Stiga Packed into 122465638/2		
15	1	122465638/1	Hub With Pulley, Crankshaft Ø 22.2			To 31-December-2018
15	1	122465638/2	Hub With Pulley, Crankshaft Ø 22.2		From 01-January-	
16	1	1111-9256-01	Blade	Stiga Packed into 181004415/0		To 31-August-2018
16	1	1111-9256-02	Blade	Stiga Packed into 181004415/0	From	
16	1	181004415/0	Blade			
17	1	112508125/0	Elastic Washer	Used only on the MP2 55 AVS ø25		To 31-December
17	1	112508128/0	Elastic Disc	Used only on the MP2 55 AVS ø25	From 01-January-2019	
17	1	122160400/0	Elastic Disc			
18	1	112523080/0	Washer			
19	1	112736815/0	Screw			
20	3	112735108/1	Screw			
23	3	122170835/0	Spacer			
24	3	112691700/0	Screw			
25	3	112154210/0	Nut			
26	1	322170964/0	Protection			
27	1	112521350/0	Washer			



Grass-Catcher

Ref.nr.	Antal	Komponentkode	Beskrivelse	Noter	From	Op til
1	1	122450485/0	Spring			
2	1	122517884/0	Pin			
3	2	322109579/0	Support			
4	2	122450482/0	Spring			
5	1	381008155/0	Stone Guard, Black			To
5	1	381008155/1	Stone Guard, Black		From	31-August-2016
6	1	322551678/0	Plate			
7	1	181006431/0	Textile Grasscatcher Frame			To
7	1	181006431/1	Textile Grasscatcher Frame		From	
8	2	322109582/0	Protection		01-September-2019	
9	4	112728713/0	Screw			
10	2	325774220/0	Bracket			
11	2	322109581/0	Protection			
12	1	322393753/0	Handle	Stiga Grey		
13	1	322394536/0	Lower Handgrip	Yellow		
14	1	181102378/0	Fabric Box	Black with STIGA Logo		
15	1	322486452/0	Indicator	Yellow		