

STIGA

TWINCLIP 50 S B (2018)

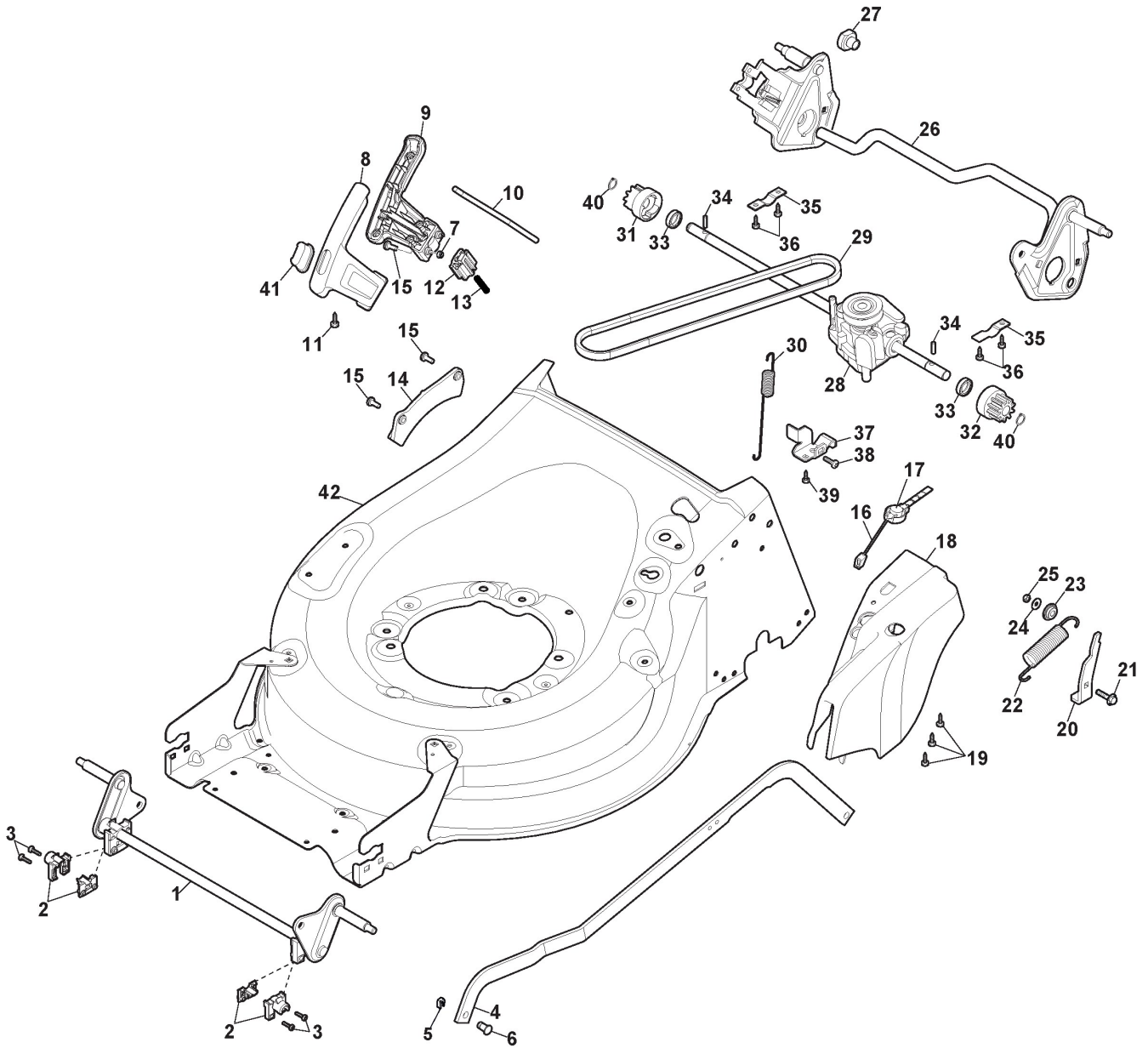
294512028/ST1

Spare parts list Reservdelar Repuestos Ersatzteile Pièces détachées Reserve onderdelen Catalogo ricambi



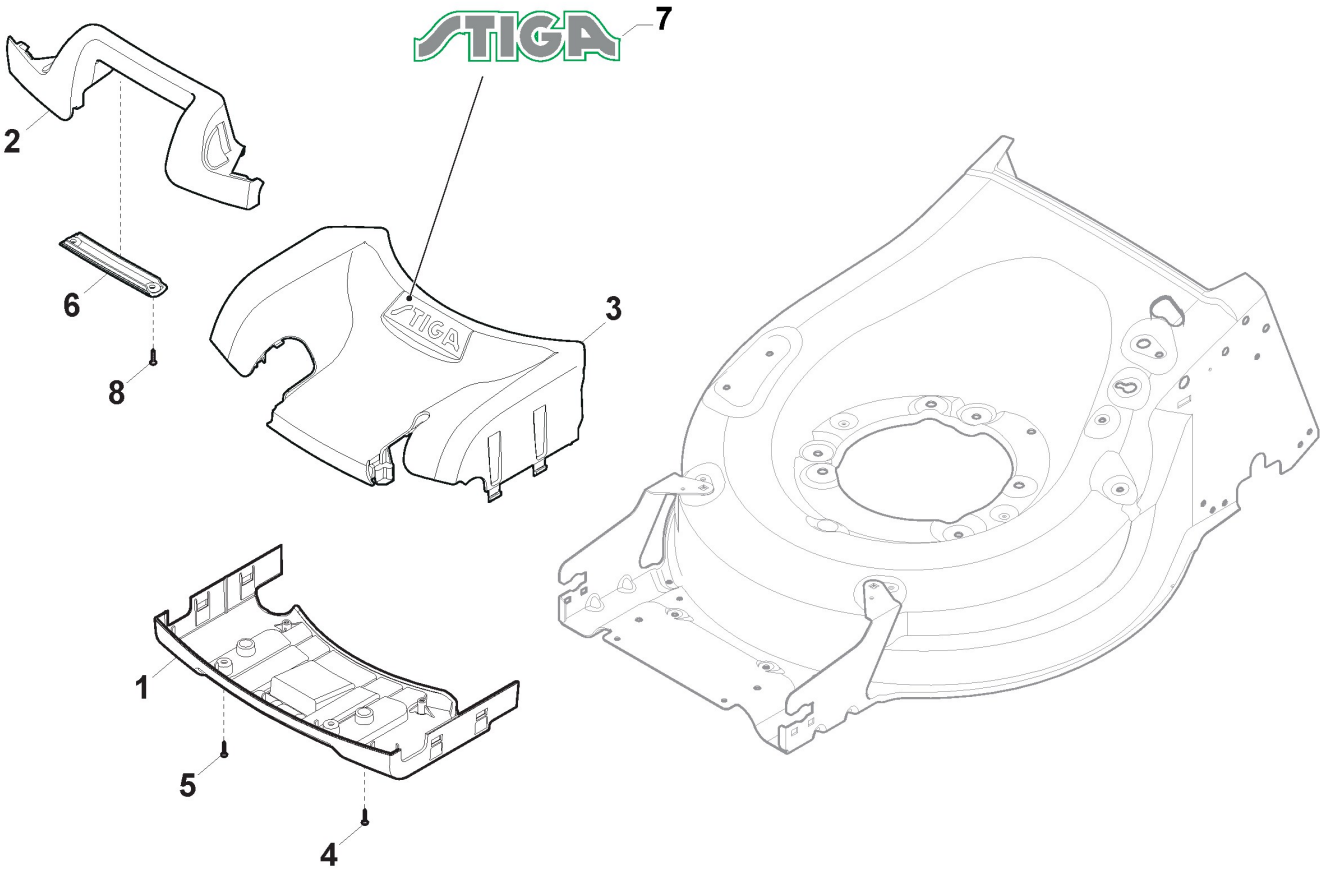
- Use ST. S.p.A. Genuine Spare Parts specified in the parts list for repair and/or replacement.
- The contents described in the parts list may change due to improvement.
- The drawings of the spare parts are only indicative And might Not represent the part in question exactly.
- The indications "right" - "left" - "front" - "rear" refer to the position of the operator when using the machine.
- When placing orders of parts for repair And/Or replacement, make sure that the illustrated parts list Is the one applying to the machine's year of manufacture, as shown on the identification plate attached to the machine.

All rights reserved. No part Of this material may be reproduced Or transmitted, in any form Or by any means, electronic Or mechanical, including photocopying, recording Or by any information storage And retrieval system, without permission in writing from ST. S.p.A.



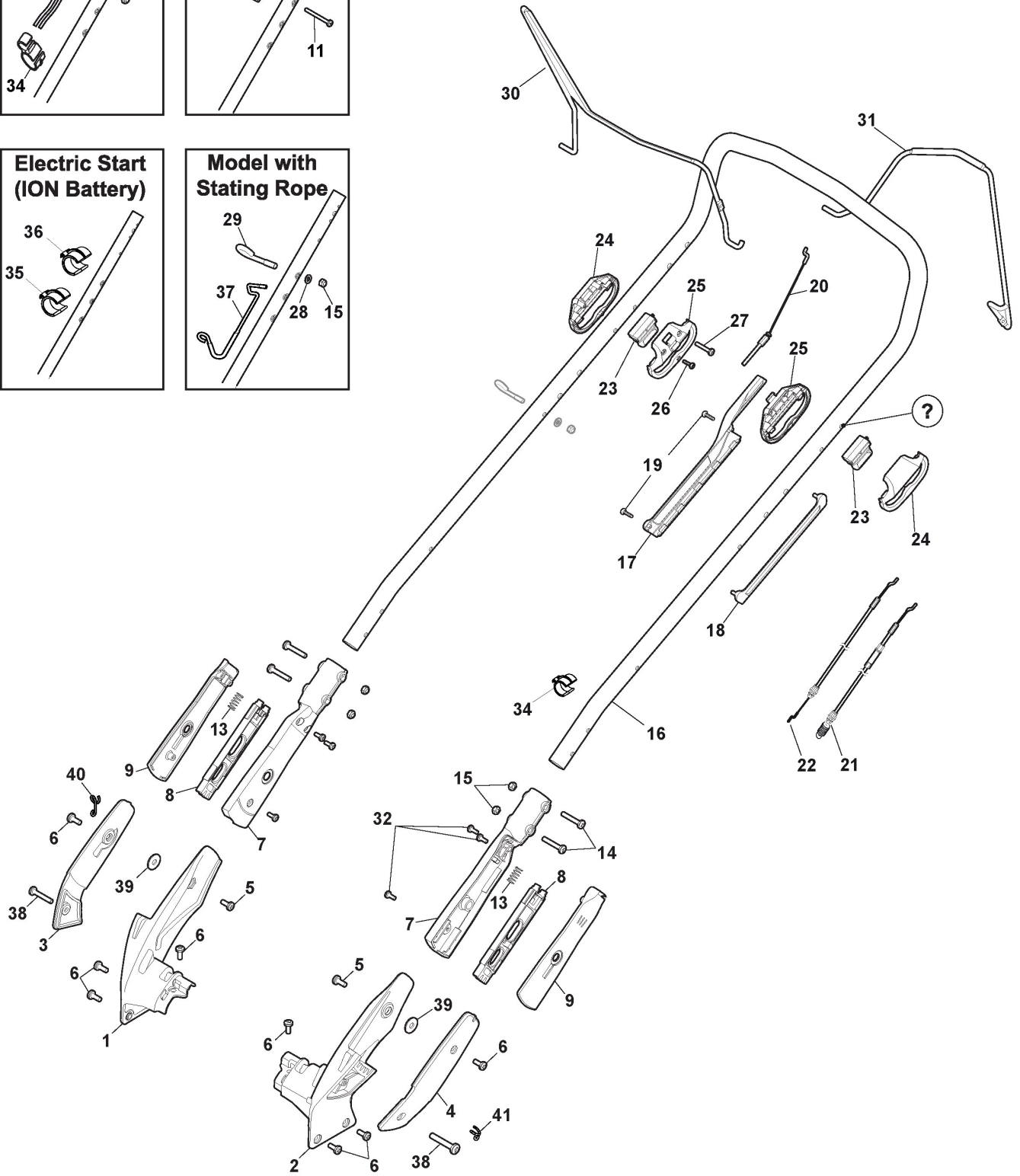
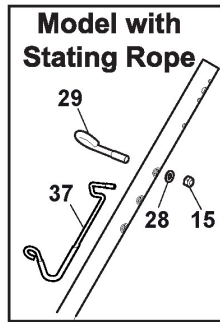
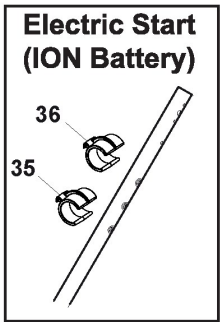
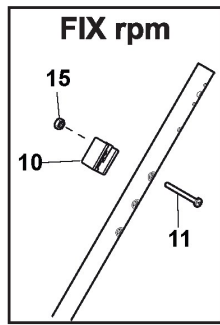
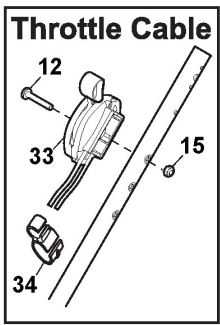
Deck And Height Adjusting

Ref.nr.	Antal	Komponentkode	Beskrivelse	Noter	From	Op til
1	1	381302901/0	Axle, Front Wheels			
2	2	322785305/1	Support			
3	4	112728697/0	Screw			
4	1	322869697/0	Adjustment Rod			
5	2	112436051/0	Plate			
6	2	122519823/0	Pin			
7	2	112154330/0	Nut			
8	1	322394534/0	Upper Handle	Black		
9	1	322394554/0	Lower Handle	Black and Yellow		
10	1	322869723/0	Rod			
11	4	112728697/0	Screw			
12	1	322109580/0	Slide			
13	1	122450484/0	Spring			
14	1	322735592/0	Sector, Height Adjustment			
15	4	112735654/0	Screw			
16	1	322602031/0	Position Plate			
17	1	322602027/0	Lens			
18	1	322055334/0	Deck, Adjustment			
19	3	112728699/0	Screw			
20	1	322778475/0	Bracket			
21	1	112815270/0	Screw			
22	1	122450480/0	Spring			
23	1	122517873/0	Pin			
24	1	112523040/0	Washer			
25	1	112154510/0	Nut			
26	1	381302905/0	Rear Wheel Axle			
27	2	322038407/0	Brass			
28	1	181003118/0	Gear Box			
29	1	1111-9252-01	Belt	with Stiga pack		
30	1	122450478/0	Spring			
31	1	122570110/1	Pinion Right			
32	1	122570120/1	Pinion Left			
33	2	119216035/0	Bearing			
34	2	122753000/0	Pin			
35	2	322545147/0	Plate			
36	4	112735654/0	Screw			
37	1	322778489/0	Plate			
38	1	112735664/0	Screw			
39	1	112735654/0	Screw			
40	4	112608600/0	Seeger			
41	1	322602029/0	Button			
42	1	381004838/0	Grey Deck	To 31-August-2018		
42	1	381004853/0	Grey Deck	From 01-September-2018		



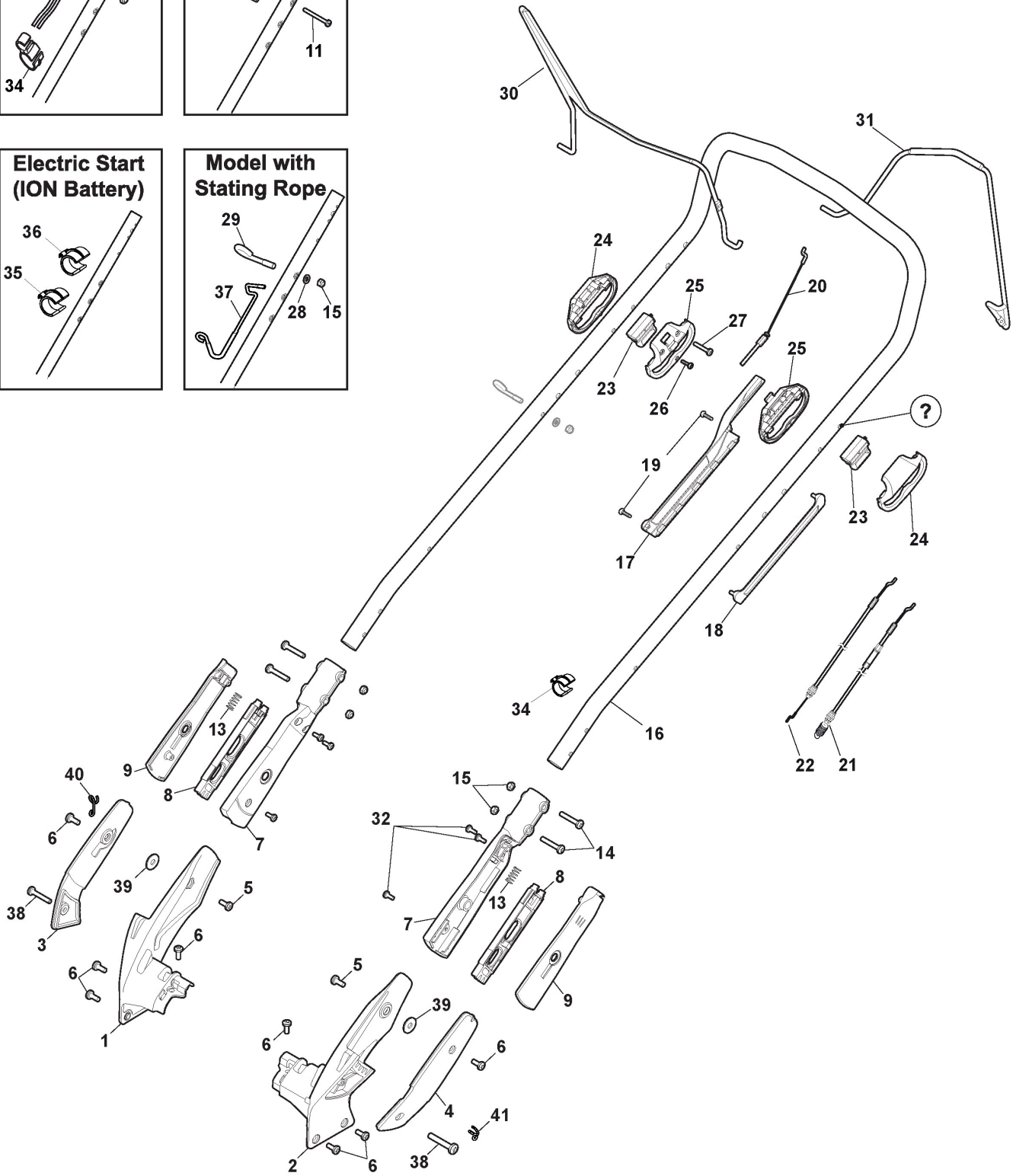
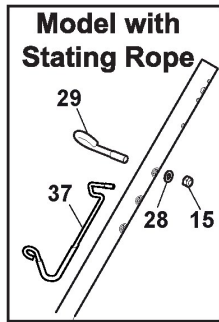
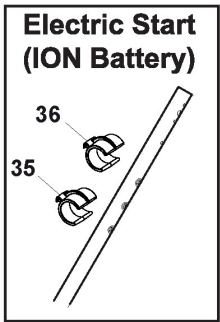
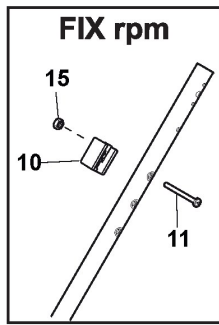
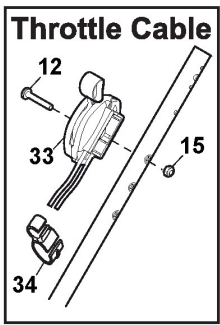
Mask

Ref.nr.	Antal	Komponentkode	Beskrivelse	Noter	From	Op til
1	1	322500111/0	Front Combi			
2	1	381393703/0	Handle			
3	1	322226240/0	Mask, Grey			
4	2	112735654/0	Screw			
5	4	112728697/0	Screw			
6	1	322393756/0	Front Handle			
7	1	114367494/2	Label STIGA logo			
8	2	112728210/0	Screw			



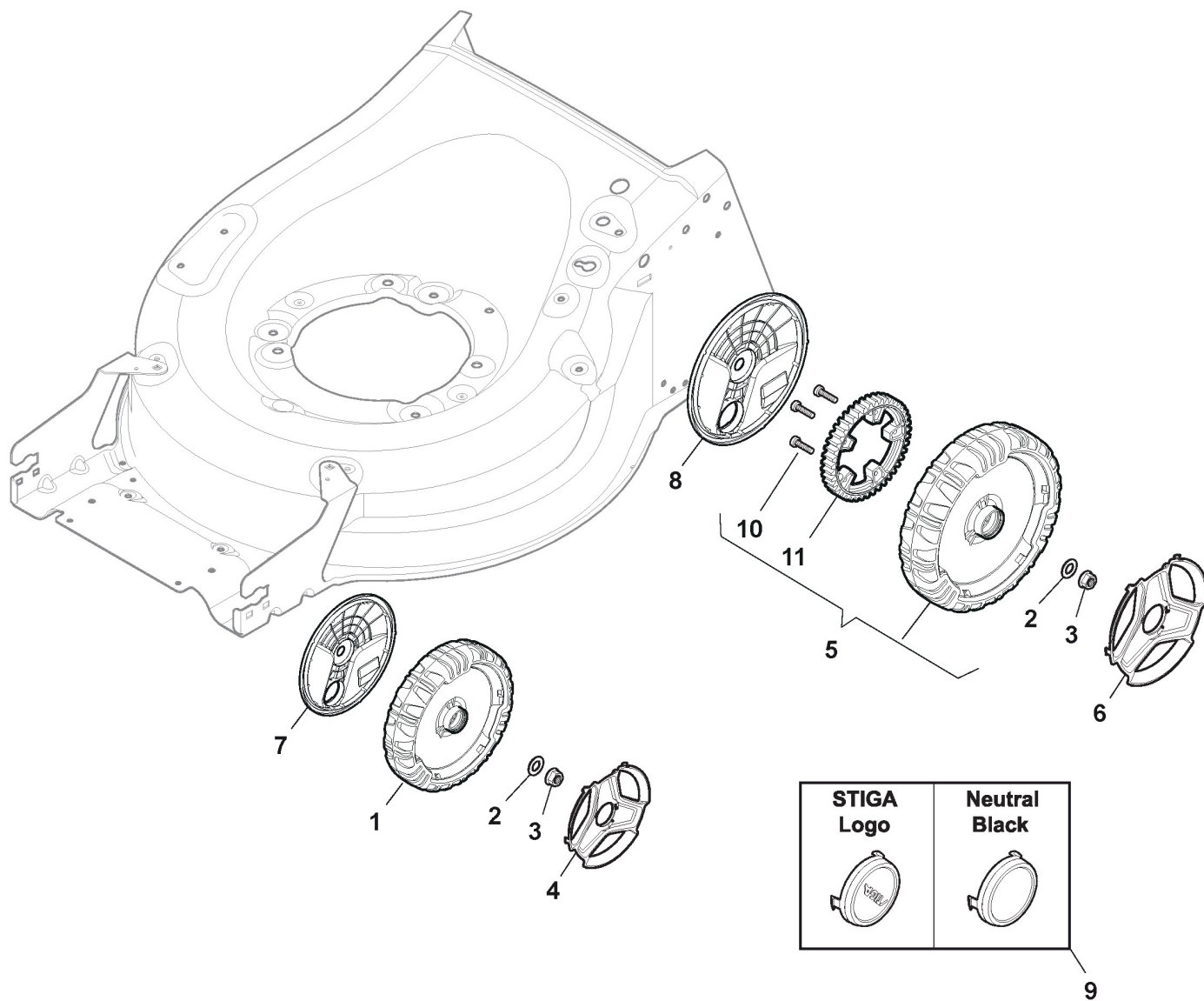
Chassis/Handle, Upper Part

Ref.nr.	Antal	Komponentkode	Beskrivelse	Noter	From	Op til
1	1	381005219/0	Right Bracket	To 03-october-2016		
1	1	381005219/1	Right Bracket	From 03-October-2016		
2	1	381005221/0	Left Bracket	To 03-october-2016		
2	1	381005221/1	Left Bracket	From 03-October-2016		
3	1	381005223/0	Cover, Right	To 03-october-2016		
3	1	381005239/0	Cover, Right	From 03-October-2016		
4	1	381005225/0	Cover, Left	To 03-october-2016		
4	1	381005241/0	Cover, Left	From 03-October-2016		
5	2	122517885/0	Pin			
6	9	112735664/0	Screw			
7	2	381005227/0	Cursor Guide	To 17-october-2016;OLD aluminium parts its necessary to supply new version and new version ../1 of handle		
7	2	381005243/0	External Guide	From 17-October-2016		
8	2	322246106/0	Cursor			
9	2	381005229/0	Cursor Guide	To 17-october-2016;OLD aluminium parts its necessary to supply new version and new version ../1 of handle		
9	2	381005245/0	Internal Guide	From 17-October-2016		
10	1	322551639/0	Fixed Plate			
11	1	112727784/0	Screw	for FIX rpm		
12	1	112727786/0	Screw	for Throttle Cable		
13	2	125430202/1	Spring			
14	4	112727799/0	Screw			
15	6	112154510/0	Nut			
16	1	381007578/0	Handle, Upper Part	To 17-october-2016;OLD aluminium parts its necessary to supply new version and new version ../1 of handle		
16	1	381007578/1	Handle, Upper Part	From 17-October-2016		
17	1	322806650/0	Support, Internal			
18	1	322806651/0	Support, External			
19	2	112728713/0	Screw			
20	2	381030123/0	Cable Com. Cursor. Assy			
21	1	381030118/0	Clutch Cable			
22	1	181030053/0	Cable, Thread Engine Brake	From 01-January-2019		
22	1	181030087/0	Cable, Thread Engine Brake	To 31-december-2018		
23	2	322394540/0	Lever, Yellow			
24	2	322722821/0	External Protection			
25	2	322722820/0	Internal Protection			
26	2	112728696/0	Screw			
27	2	112728705/0	Screw			
28	1	112521330/0	Washer			
29	1	122430313/0	Guide Spring	for models without electric start		
30	1	181003490/0	Control Lever			
31	1	181003491/0	Drive Control Lever			
32	1	112735651/0	Screw			
33	1	181005541/0	Throttle Cable			
34	1	118390020/0	Conduit Clip			
35	1	118390020/0	Conduit Clip	for electric start engine (ION Battery)		



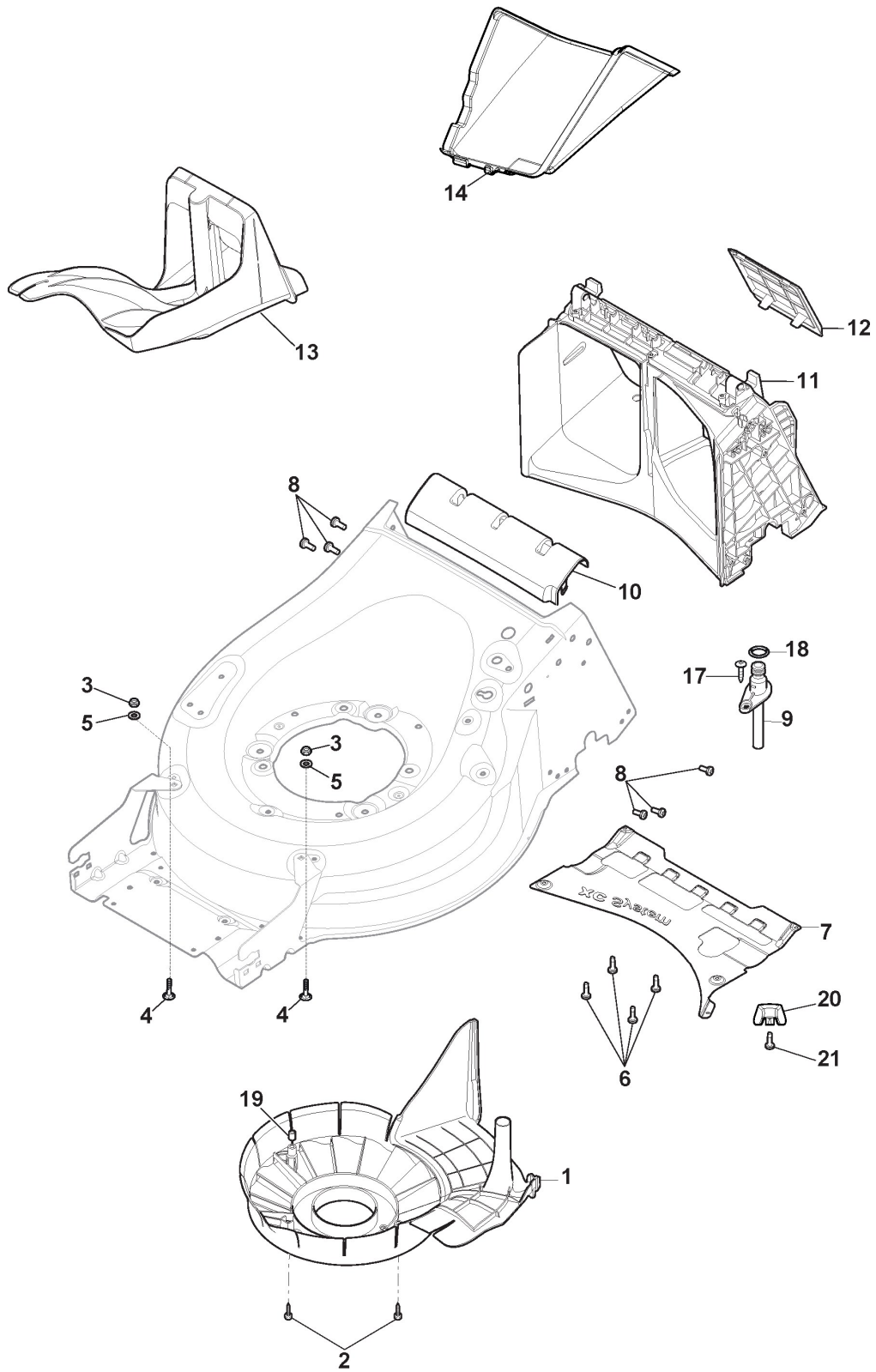
Chassis/Handle, Upper Part

Ref.nr.	Antal	Komponentkode	Beskrivelse	Noter	From	Op til
36	1	133320504/0	Fairlead	for electric start engine (ION Battery)		
37	1	122430318/0	Guide Spring	for models without electric start		
38	2	112735660/0	Screw			
39	2	122675110/0	Washer	To 03-october-2016		
39	2	9694-0001-00	Washer	From 03-October-2016		
40	1	122430323/0	Spring			
40	1	122430323/0	Spring			
41	1	122430324/0	Guide Spring			
41	1	122430324/0	Guide Spring			



Wheel and Hub Cap

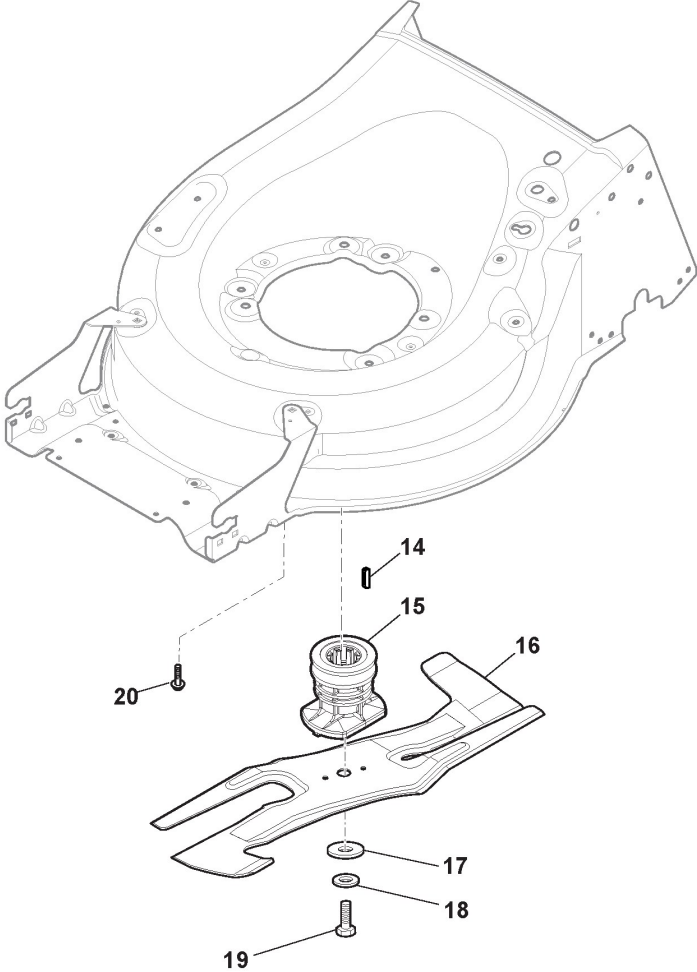
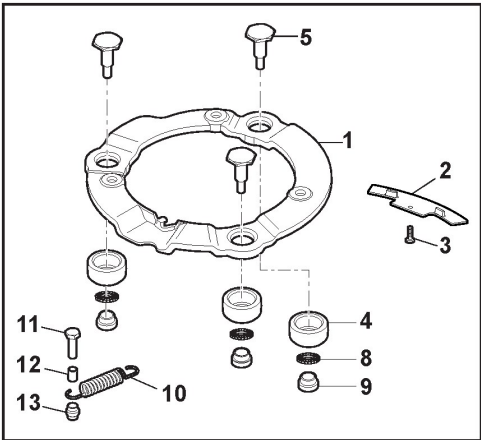
Ref.nr.	Antal	Komponentkode	Beskrivelse	Noter	From	Op til
1	2	381007498/0	Wheel	Plastic Wheel		
2	2	112521350/0	Washer			
3	2	112155000/0	Nut			
4	2	322110796/0	Hub Cap Grey	Grey		
5	2	381007801/0	Wheel	Plastic Wheel		
6	2	322110797/0	Hub Cap Grey	Grey		
7	2	322600334/0	Protection, Wheel			
8	2	322600333/0	Protection, Wheel			
9	4	322110798/0	Hub Cap Grey	with STIGA Logo		
10	6	112728691/0	Screw			
11	2	322120117/0	Wheels Crown Ø240 Wbh Cruiser			



Belt Guard

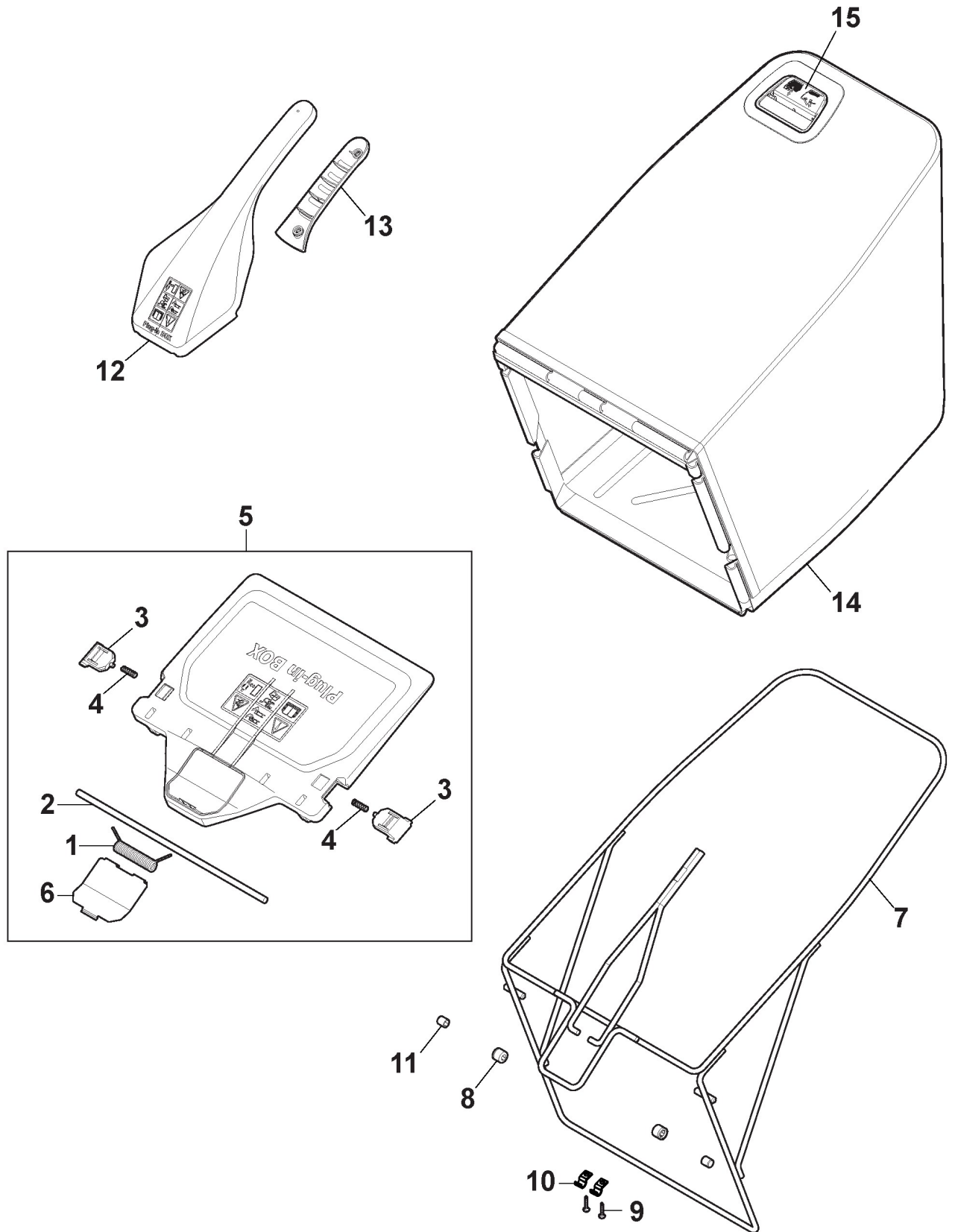
Ref.nr.	Antal	Komponentkode	Beskrivelse	Noter	From	Op til
1	1	322060270/1	Carter Mulching	To 31-August-2018		
1	1	322060270/2	Carter Mulching	From 01-September-2018		
2	1	112735645/0	Screw			
3	2	112154510/0	Nut			
4	2	112815205/0	Screw			
5	2	112521330/0	Washer			
6	4	112735654/0	Screw			
7	1	322778493/0	Lower Case			
8	6	112735664/0	Screw			
9	1	322034006/0	Washing Connection			
10	1	322109578/0	Stone-Guard Support, Grey	Grey NCS S8000-N		
11	1	381004825/0	Conveyor			
12	1	322600310/0	Rear door			
13	1	322140247/0	Deflector			
14	1	322108319/0	Rear door			
17	1	112728697/0	Screw			
18	1	119035000/0	Or Ring			
19	2	122042073/0	Bush			
20	1	322943101/0	Screw			
21	1	112728706/0	Screw			

AVS System



Blade

Ref.nr.	Antal	Komponentkode	Beskrivelse	Noter	From	Op til
1	1	381207230/0	Flange	Yellow		
2	1	322551536/0	Plate			
3	1	112728210/0	Screw			
4	3	322250015/0	Grommet			
5	3	122519816/0	Pin			
8	3	112543002/0	Washer			
9	3	112155000/0	Nut			
10	1	122450439/0	Spring			
11	1	112791400/0	Screw			
12	1	122170846/0	Spacer			
13	1	112154510/0	Nut			
14	1	112139100/0	Key			
15	1	1111-9182-01	Blade Holder	with STIGA pack		
16	1	1111-9256-01	Blade	with STIGA pack;To 31-August-2018		
16	1	1111-9256-02	Blade	with STIGA pack;From 01-september-2018		
17	1	112508125/0	Elastic Washer	Used only on the MP2 55 AVS D25;To 31-december-2018		
17	1	112508128/0	Elastic Disc	Used only on the MP2 55 AVS D25;From 01-january-2019		
17	1	122160400/0	Elastic Disc			
18	1	112523080/0	Washer			
19	1	112736815/0	Screw			
20	3	112735108/1	Screw			



Grass-Catcher

Ref.nr.	Antal	Komponentkode	Beskrivelse	Noter	From	Op til
1	1	122450485/0	Spring			
2	1	122517884/0	Pin			
3	2	322109579/0	Support			
4	2	122450482/0	Spring			
5	1	381008155/0	Stone Guard, Black	To 31-August-2016		
5	1	381008155/1	Stone Guard, Black	From 01-September-2016		
6	1	322551678/0	Plate			
7	1	181006431/0	Textile Grasscatcher Frame	To 31-August-2019		
7	1	181006431/1	Textile Grasscatcher Frame	From 01-September-2019		
8	2	322109582/0	Protection			
9	4	112728713/0	Screw			
10	2	325774220/0	Bracket			
11	2	322109581/0	Protection			
12	1	322393753/0	Handle			
13	1	322394536/0	Lower Handgrip	Yellow		
14	1	181102378/0	Fabric Box	Stiga Logo		
15	1	322486452/0	Indicator	Yellow		