

STIGA

TWINCLIP 50 SV H (2017)

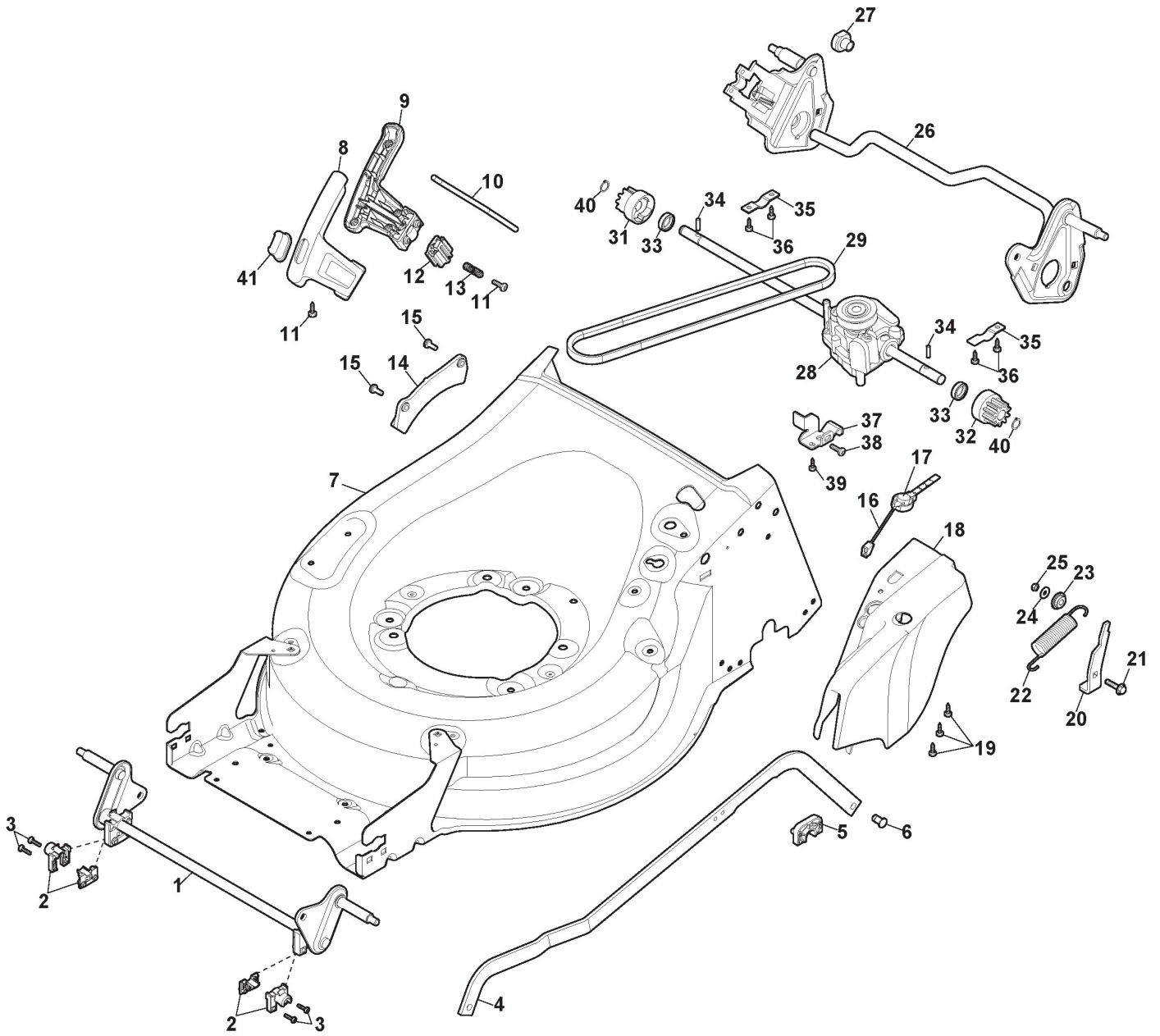
294513038/S16

Spare parts list Reservdelar Repuestos Ersatzteile Pièces détachées Reserve onderdelen Catalogo ricambi



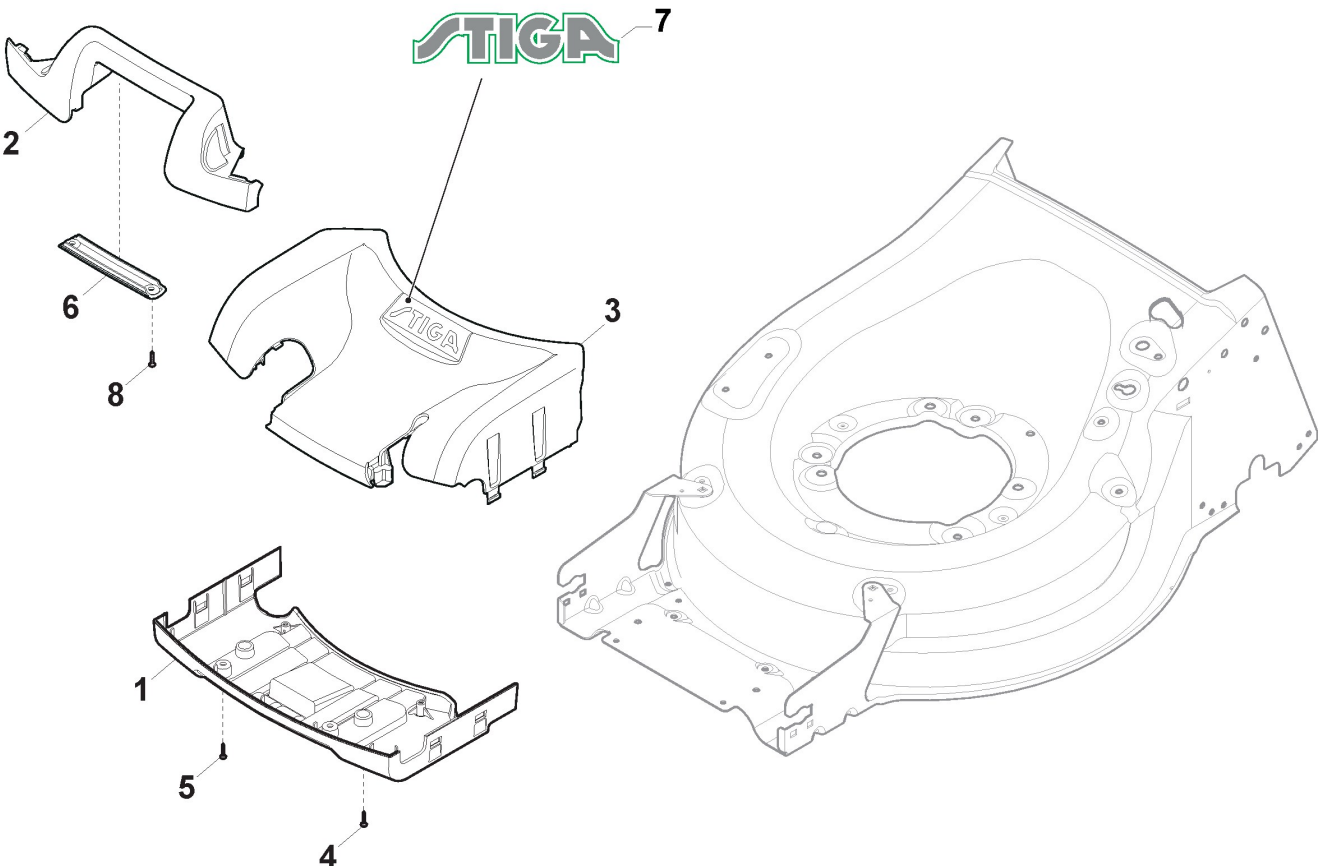
- Use ST. S.p.A. Genuine Spare Parts specified in the parts list for repair and/or replacement.
- The contents described in the parts list may change due to improvement.
- The drawings of the spare parts are only indicative And might Not represent the part in question exactly.
- The indications "right" - "left" - "front" - "rear" refer to the position of the operator when using the machine.
- When placing orders of parts for repair And/Or replacement, make sure that the illustrated parts list Is the one applying to the machine's year of manufacture, as shown on the identification plate attached to the machine.

All rights reserved. No part Of this material may be reproduced Or transmitted, in any form Or by any means, electronic Or mechanical, including photocopying, recording Or by any information storage And retrieval system, without permission in writing from ST. S.p.A.



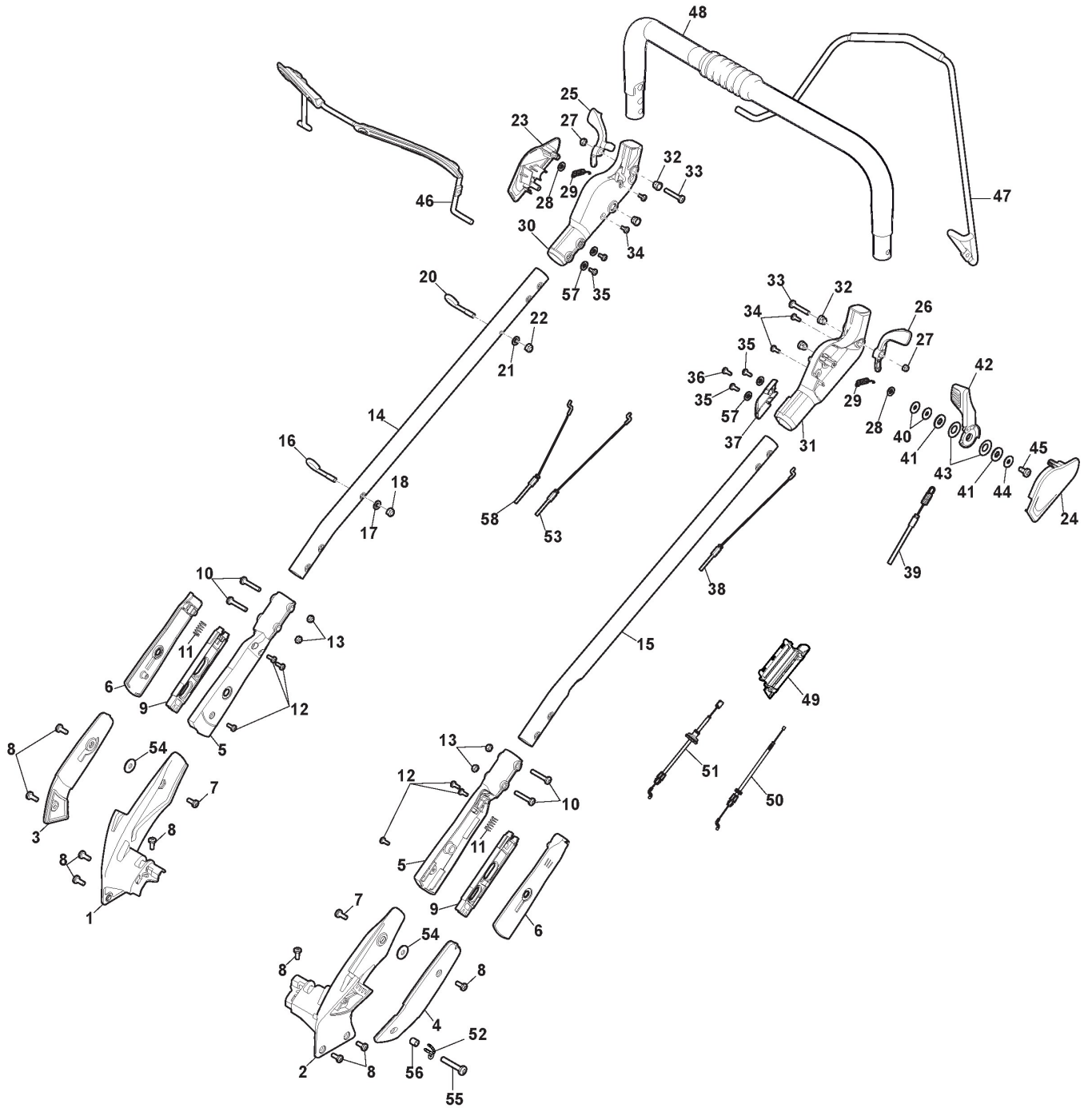
Deck And Height Adjusting

Ref.nr.	Antal	Komponentkode	Beskrivelse	Noter	From	Op til
1	1	381302901/0	Axle, Front Wheels			
2	2	322785305/1	Support			
3	4	112728697/0	Screw			
4	1	322869697/0	Adjustment Rod			
5	2	112436051/0	Plate			
6	2	122519823/0	Pin			
7	1	381004838/0	Grey Deck			
8	1	322394534/0	Upper Handle	Black		
9	1	322394535/0	Lower Handle	Black and Yellow		
10	1	322869723/0	Rod			
11	6	112728697/0	Screw			
12	1	322109580/0	Slide			
13	1	122450484/0	Spring			
14	1	322735592/0	Sector, Height Adjustment			
15	2	112735654/0	Screw			
16	1	322602031/0	Position Plate			
17	1	322602027/0	Lens			
18	1	322055334/0	Deck, Adjustment			
19	3	112728699/0	Screw			
20	1	322778475/0	Bracket			
21	1	112815270/0	Screw			
22	1	122450480/0	Spring			
23	1	122517873/0	Pin			
24	1	112523040/0	Washer			
25	1	112154510/0	Nut			
26	1	381302905/0	Rear Wheel Axle			
27	2	322038407/0	Brass			
28	1	181003119/0	Gear Box			
29	1	135064393/0	Belt			
31	1	122570110/1	Pinion Right			
32	1	122570120/1	Pinion Left			
33	2	119216035/0	Bearing			
34	2	122753000/0	Pin			
35	2	322545147/0	Plate			
36	4	112735654/0	Screw	To 31-August-2017		
36	4	9943-0516-16	Screw	From 01-September-2017		
37	1	322778491/0	Plate			
38	1	112735664/0	Screw			
39	1	112735654/0	Screw	To 31-August-2017		
39	1	9943-0516-16	Screw	From 01-September-2017		
40	4	112608600/0	Seeger			
41	1	322602029/0	Button			



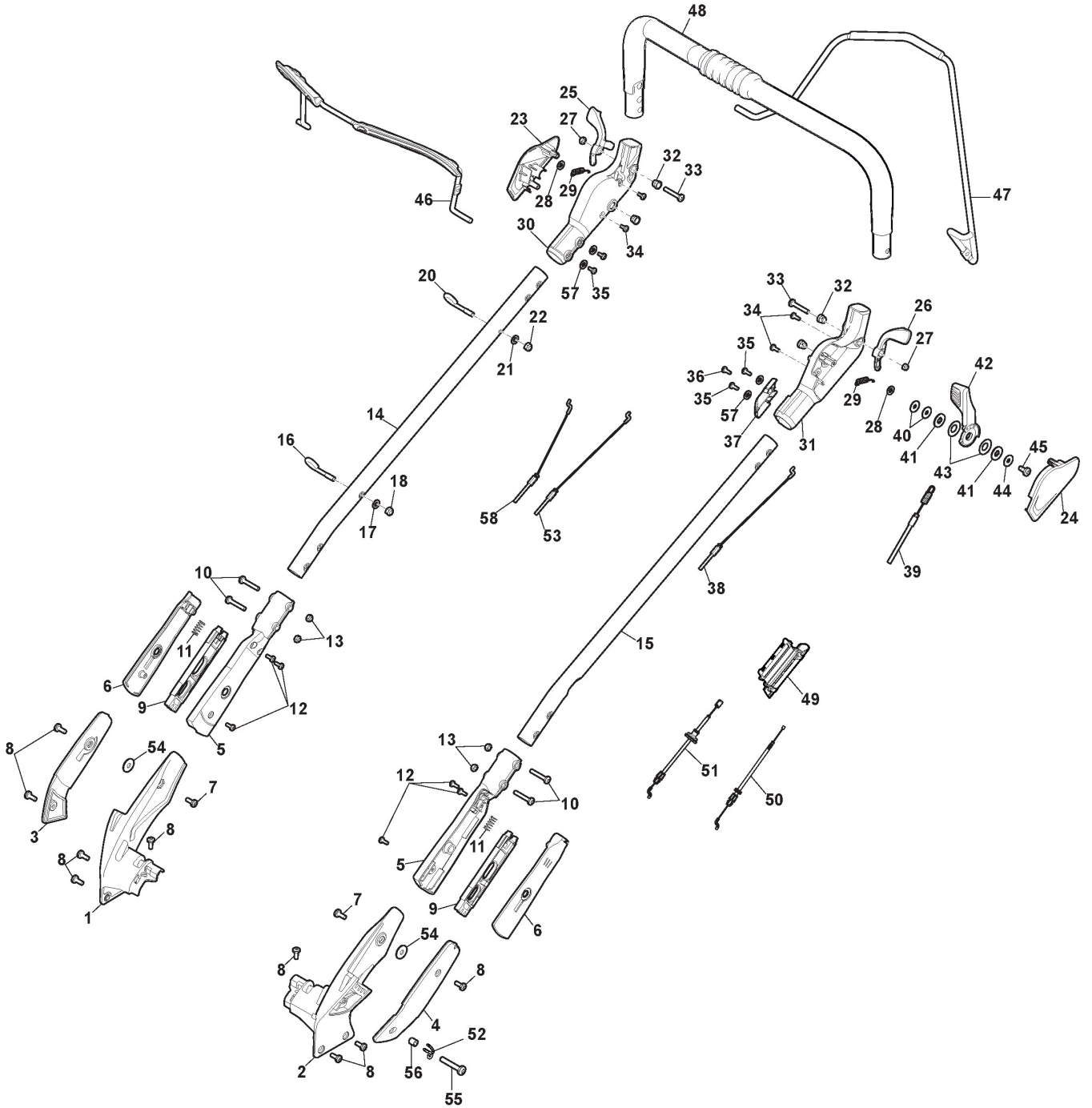
Mask

Ref.nr.	Antal	Komponentkode	Beskrivelse	Noter	From	Op til
1	1	322500111/0	Front Combi			
2	1	381393703/0	Handle			
3	1	322226240/0	Mask, Grey			
4	2	112735654/0	Screw			
5	4	112728697/0	Screw			
6	1	322393756/0	Front Handle			
7	1	114367494/2	Label STIGA logo			
8	2	112728210/0	Screw			



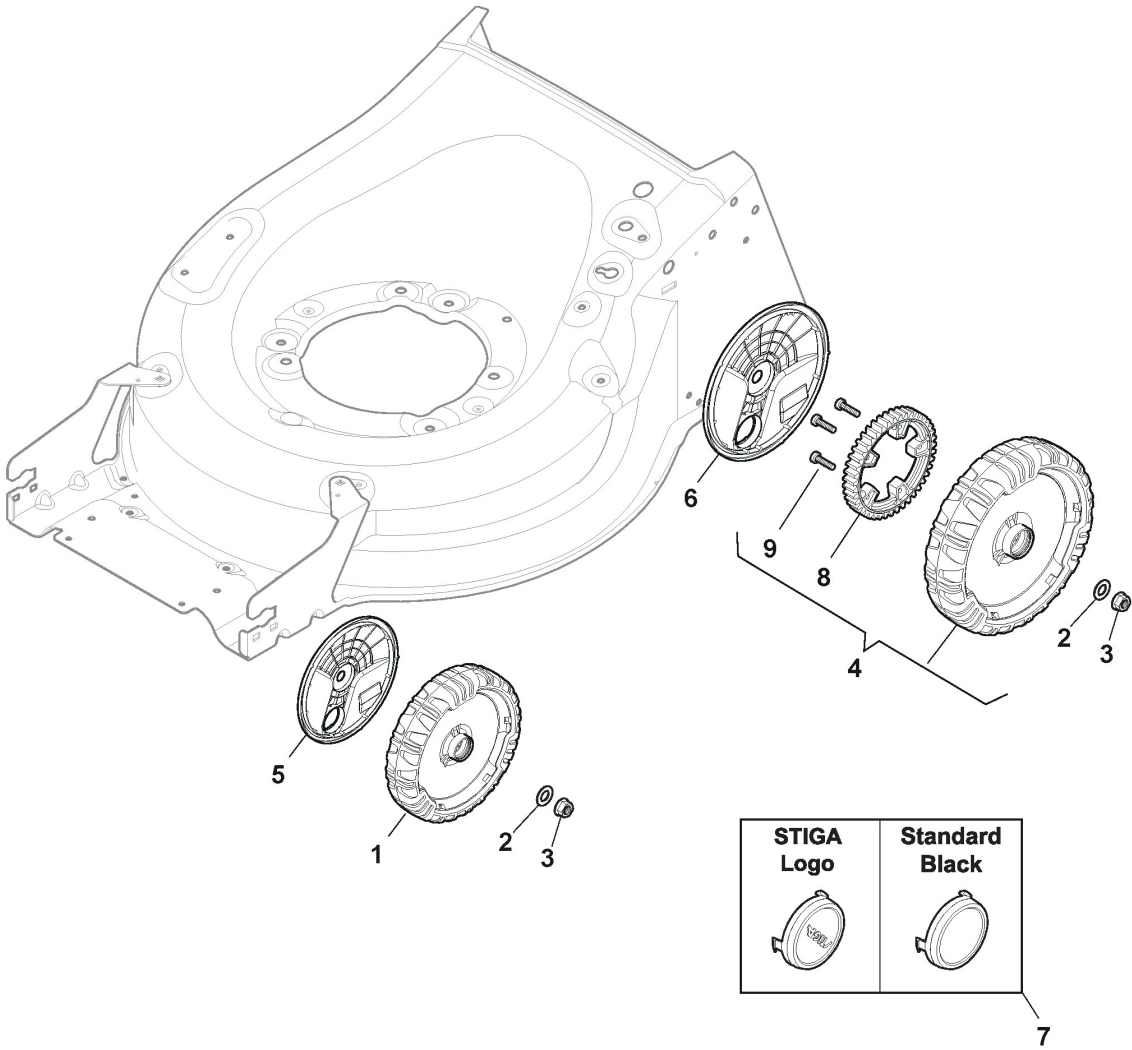
Chassis/Handle, Upper Part

Ref.nr.	Antal	Komponentkode	Beskrivelse	Noter	From	Op til
1	1	381005219/0	Right Bracket	To 03-october-2016		
1	1	381005219/1	Right Bracket	From 03-October-2016		
2	1	381005221/0	Left Bracket	To 03-october-2016		
2	1	381005221/1	Left Bracket	From 03-October-2016		
3	1	381005223/0	Cover, Right	To 03-october-2016		
3	1	381005239/0	Cover, Right	From 03-October-2016		
4	1	381005225/0	Cover, Left	To 03-october-2016		
4	1	381005241/0	Cover, Left	From 03-October-2016		
5	2	381005233/0	External Guide	To 17-october-2016		
5	2	381005247/0	External Guide	From 17-October-2016		
6	1	381005229/0	Cursor Guide	To 17-october-2016		
6	1	381005245/0	Internal Guide	From 17-October-2016		
7	2	122517885/0	Pin			
8	9	112735664/0	Screw			
9	2	322246106/0	Cursor			
10	4	112727783/0	Screw			
11	2	125430202/1	Spring			
12	6	112735651/0	Screw			
13	4	112154510/0	Nut			
14	1	381007579/0	Handle, Upper Part Right			
15	1	381007591/0	Handle, Upper Part Left			
16	1	122430318/0	Guide Spring			
17	1	112521330/0	Washer			
18	1	112154510/0	Nut			
20	1	122430314/0	Starting Rope Guide Spring			
21	1	112521330/0	Washer			
22	1	112154510/0	Nut			
23	1	381004848/0	Starting Block Inner Half-Bearing			
24	1	381004849/0	Starting Block Outer Half-Bearing			
25	1	322722823/0	Right Lever			
26	1	322722822/0	Left Lever			
27	2	112154510/0	Nut			
28	2	112604897/0	Elastic Washer			
29	2	122450490/0	Spring			
30	1	381007580/0	Right Joint			
31	1	381007581/0	Left Joint			
32	4	322041967/1	Bushing			
33	2	112728721/0	Screw			
34	4	112735651/0	Screw			
35	4	112735664/0	Screw			
36	1	112735651/0	Screw			
37	1	322557108/0	Plate			
38	1	381030120/0	Cable Com. Cursor. Assy			
39	1	381030122/0	Variator Cable, Upper			
40	2	112508127/0	Washer			
41	2	322672157/0	Washer			
42	2	381007228/0	Variator Lever Assy	Yellow;To 31-August-2018		



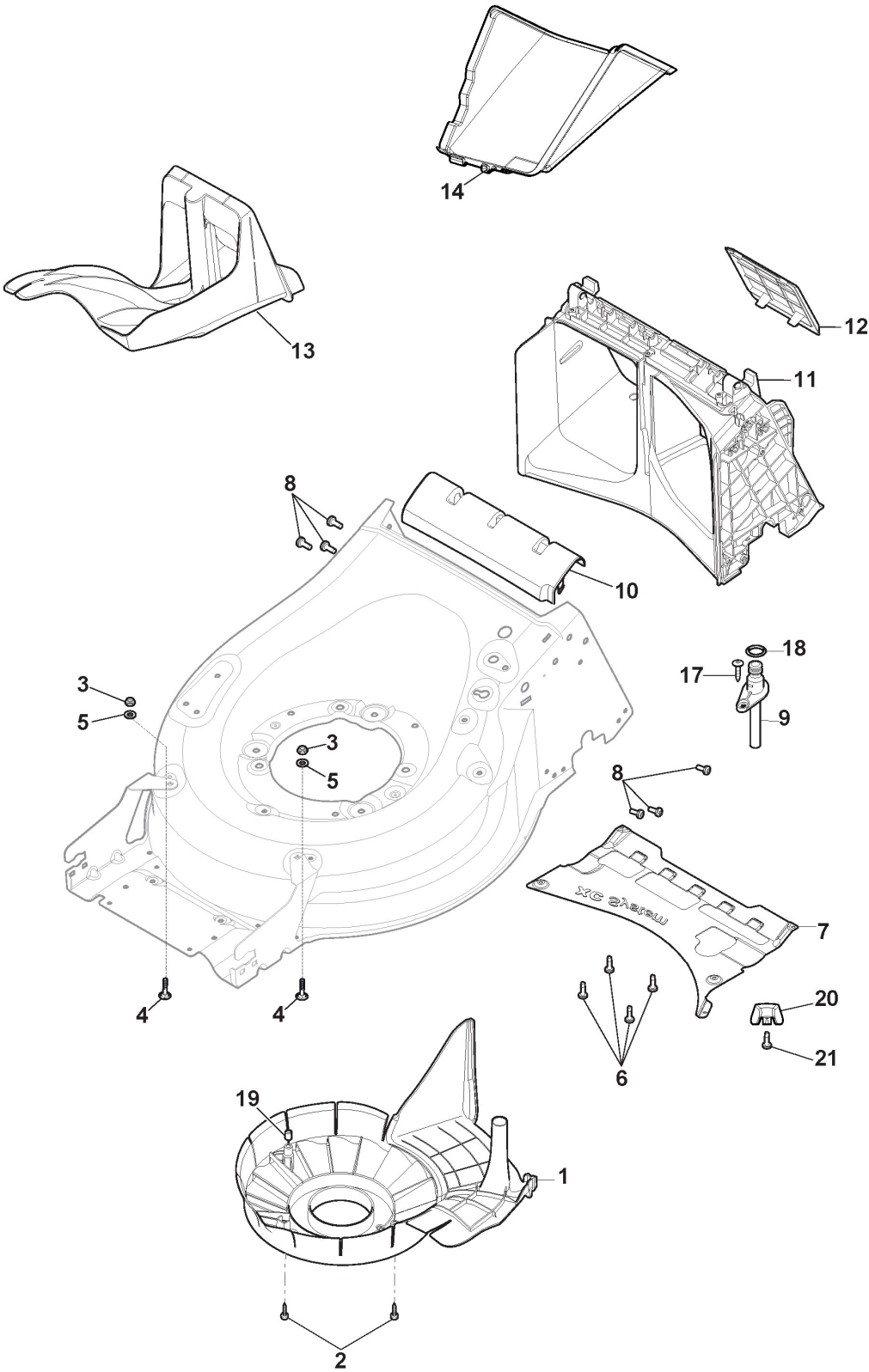
Chassis/Handle, Upper Part

Ref.nr.	Antal	Komponentkode	Beskrivelse	Noter	From	Op til
42	2	381007228/1	Variator Lever Assy	Yellow;From 01-September-2018		
43	2	322672155/0	Washer			
44	1	112523040/0	Washer			
45	1	112735651/0	Screw			
46	1	381003472/1	Lever, Engine Brake			
47	1	381003349/0	Lever, Driving			
48	1	381007590/0	Upper Handle With Grip			
49	1	322246112/0	Upper Cable Joint			
50	1	381030126/0	Variator Cable, Lower			
51	1	381030106/0	Clutch Cable, Lower	To 01-November-2016		
51	1	381030130/0	Clutch Cable, Lower	From 01-November-2016		
52	1	122430324/0	Guide Spring			
53	1	381030127/0	Clutch Cable, Upper			
54	2	122675110/0	Washer	To 31-August-2017		
54	1	9694-0001-00	Washer	From 01-September-2017		
55	1	112735660/0	Screw			
56	1	122170610/0	Spacer			
57	4	112543001/0	Washer			
58	1	181030128/0	Cable, Thread Engine Brake			



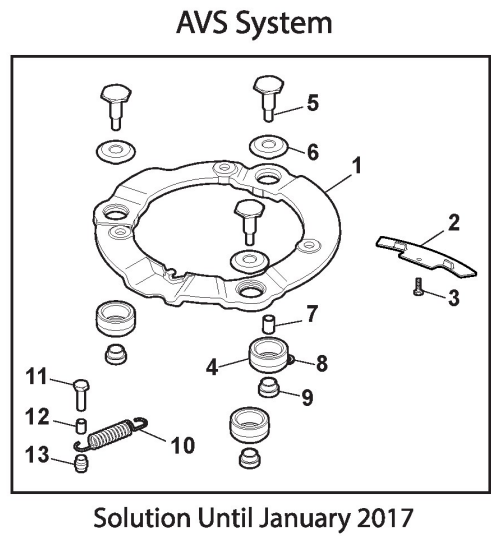
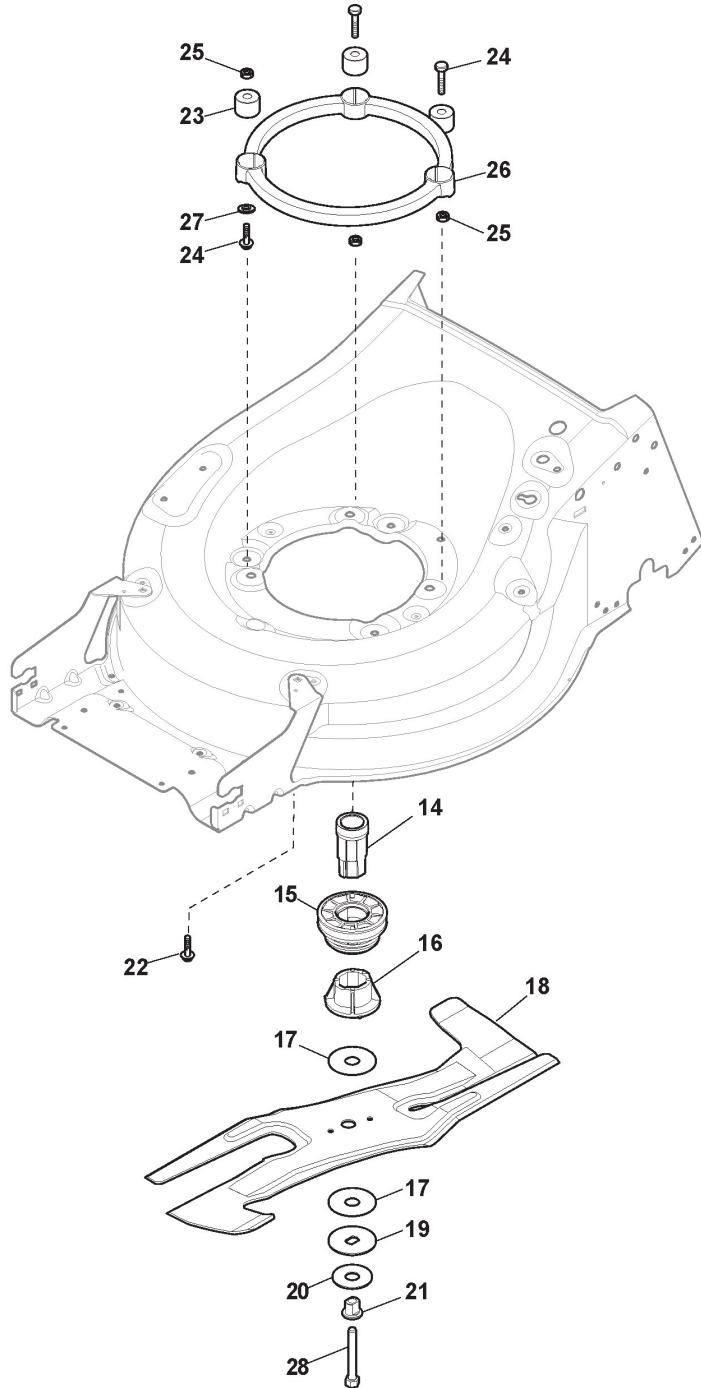
Wheel and Hub Cap

Ref.nr.	Antal	Komponentkode	Beskrivelse	Noter	From	Op til
1	2	381007494/0	Wheel	Aluminium Wheel		
2	2	112521350/0	Washer			
3	2	112155000/0	Nut			
4	2	381007800/0	Wheel	Aluminium Wheel		
5	2	322600334/0	Protection, Wheel			
6	2	322600333/0	Protection, Wheel			
7	4	322110798/0	Hub Cap Grey	with STIGA Logo		
8	2	322120117/0	Wheels Crown Ø240 Wbh Cruiser			
9	6	112735645/0	Screw			



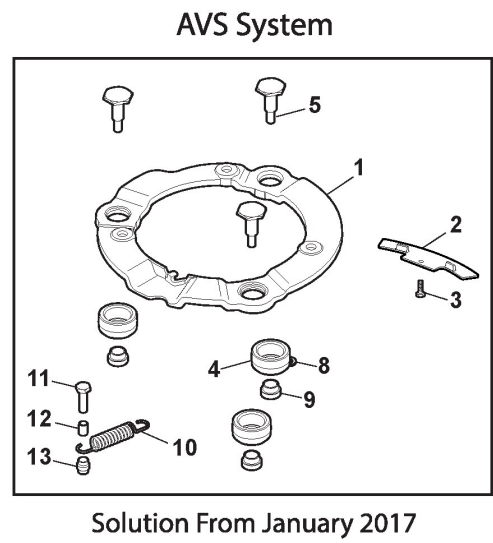
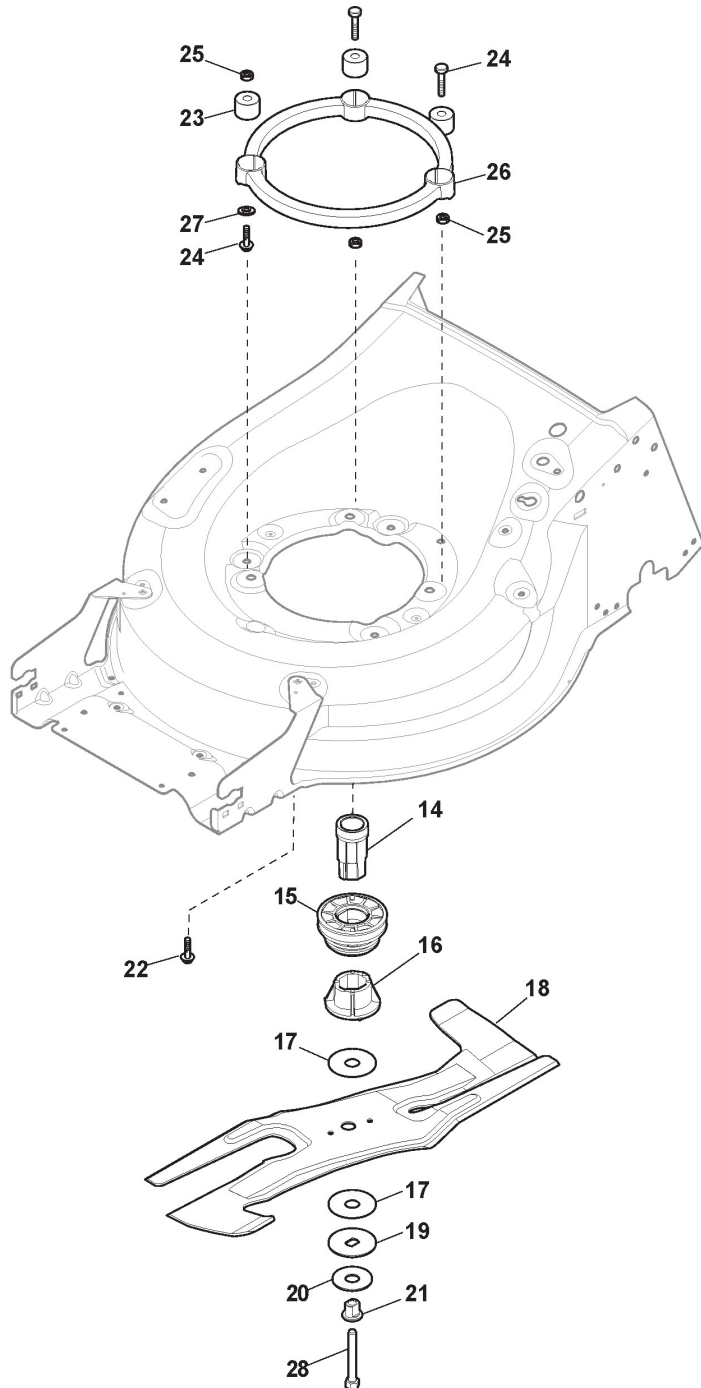
Belt Guard

Ref.nr.	Antal	Komponentkode	Beskrivelse	Noter	From	Op til
1	1	322060270/1	Carter Mulching	To S/N SK8143111		
1	1	322060270/2	Carter Mulching	From S/N SK8153833 To S/N 19JA2WBH023208		
1	1	322060270/3	Carter Mulching	From S/N 19JA2WBH023209		
2	1	112735645/0	Screw			
3	2	112154510/0	Nut			
4	2	112815205/0	Screw			
5	2	112521330/0	Washer			
6	4	112735654/0	Screw			
7	1	322778493/0	Lower Case			
8	6	112735664/0	Screw			
9	1	322034006/0	Washing Connection			
10	1	322109578/0	Stone-Guard Support, Grey	Grey NCS S8000-N		
11	1	381004825/0	Conveyor			
12	1	322600310/0	Rear door			
13	1	322140247/0	Deflector			
14	1	322108319/0	Rear door			
17	1	112728697/0	Screw			
18	1	119035000/0	Or Ring			
19	2	122042073/0	Bush			
20	1	322943101/0	Screw			
21	1	112728706/0	Screw			



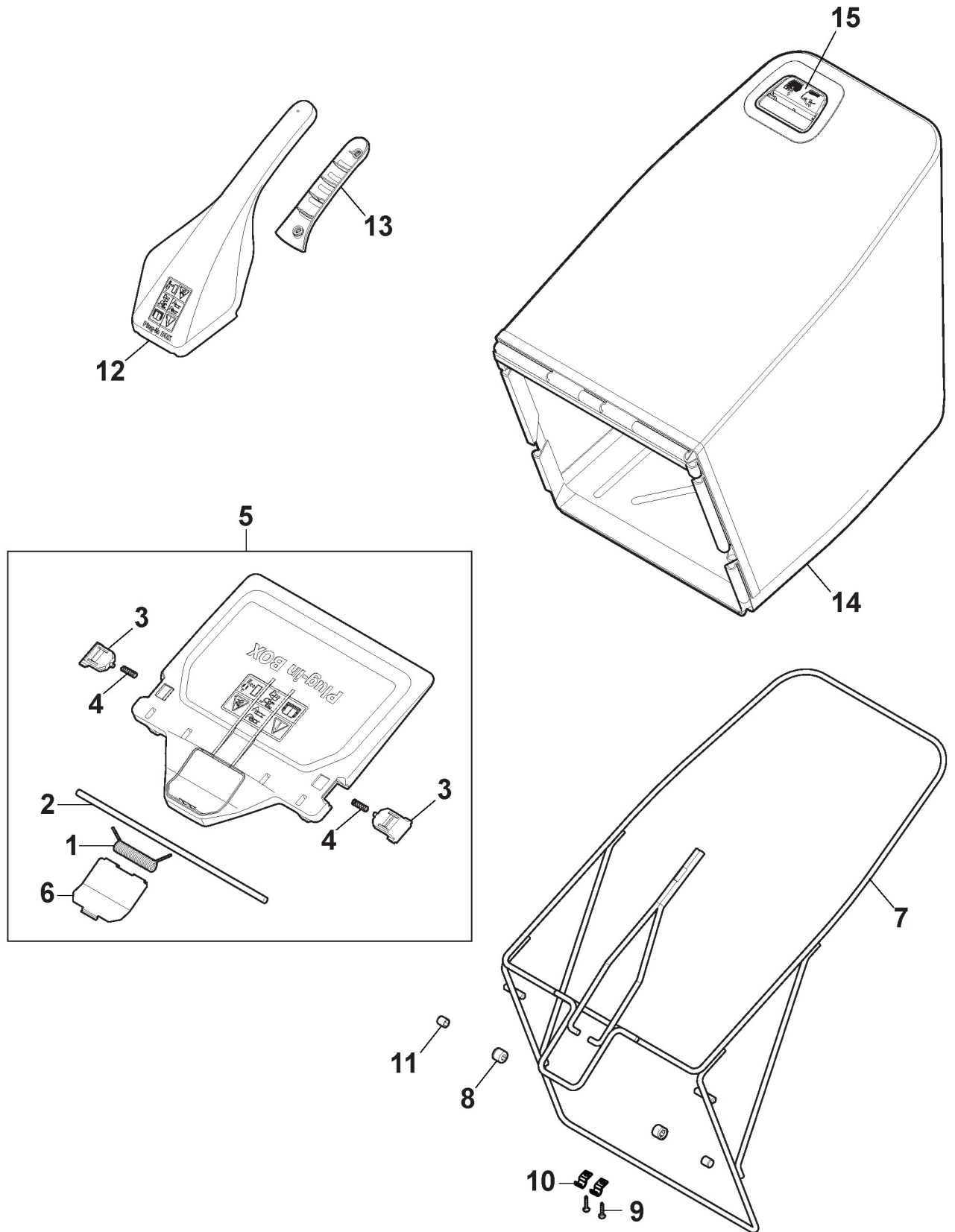
Blade

Ref.nr.	Antal	Komponentkode	Beskrivelse	Noter	From	Op til
1	1	381207230/0	Flange	Yellow		
2	1	322551536/0	Plate			
3	1	112728210/0	Screw			
4	3	322250014/0	Rubber			
5	3	122519816/0	Pin			
6	3	322672201/0	Washer			
7	3	122170850/0	Distance Flangia Avs X Rsb Diamond			
8	3	112543002/0	Washer			
9	3	112155000/0	Nut			
10	1	122450439/0	Spring			
11	1	112791400/0	Screw			
12	1	122170846/0	Spacer			
13	1	112154510/0	Nut			
14	1	122785494/0	Support			
15	1	122601933/0	Pulley			
16	1	122465656/0	Blade Hub			
17	2	322672110/1	Washer			
18	1	1111-9256-01	Blade	Stiga Packed into 181004415/0		
19	1	322672105/0	Washer			
20	1	112508120/0	Cup Spring			
21	1	122041943/0	Bush			
22	3	112735108/1	Screw	To fix the Engine		
23	3	122170835/0	Spacer			
24	3	112691700/0	Screw			
25	3	112154210/0	Nut			
26	1	322170964/0	Protection			
27	1	112521350/0	Washer			
28	1	112736820/0	Screw			



Blade

Ref.nr.	Antal	Komponentkode	Beskrivelse	Noter	From	Op til
1	1	381207230/0	Flange	Yellow		
2	1	322551536/0	Plate			
3	1	112728210/0	Screw			
4	3	322250015/0	Grommet			
5	3	122519816/0	Pin			
8	3	112543002/0	Washer			
9	3	112155000/0	Nut			
10	1	122450439/0	Spring			
11	1	112791400/0	Screw			
12	1	122170846/0	Spacer			
13	1	112154510/0	Nut			
14	1	122785494/0	Support			
15	1	122601933/0	Pulley			
16	1	122465656/0	Blade Hub			
17	2	322672110/1	Washer			
18	1	1111-9256-01	Blade	Stiga Packed into 181004415/0		
19	1	322672105/0	Washer			
20	1	112508120/0	Cup Spring			
21	1	122041943/0	Bush			
22	3	112735108/1	Screw	To fix the Engine		
23	3	122170835/0	Spacer			
24	3	112691700/0	Screw			
25	3	112154210/0	Nut			
26	1	322170964/0	Protection			
27	1	112521350/0	Washer			
28	1	112736820/0	Screw			



Grass-Catcher

Ref.nr.	Antal	Komponentkode	Beskrivelse	Noter	From	Op til
1	1	122450485/0	Spring			
2	1	122517884/0	Pin			
3	2	322109579/0	Support			
4	2	122450482/0	Spring			
5	1	381008155/0	Stone Guard, Black	To 31-August-2016		
5	1	381008155/1	Stone Guard, Black	From 01-September-2016		
6	1	322551678/0	Plate			
7	1	181006431/0	Textile Grasscatcher Frame	To 31-August-2019		
7	1	181006431/1	Textile Grasscatcher Frame	From 01-September-2019		
8	2	322109582/0	Protection			
9	4	112728713/0	Screw			
10	2	325774220/0	Bracket			
11	2	322109581/0	Protection			
12	1	322393753/0	Handle	Stiga Grey		
13	1	322394536/0	Lower Handgrip	Yellow		
14	1	181102378/0	Fabric Box	Black with Stiga Logo		
15	1	322486452/0	Indicator	Yellow		