

STIGA

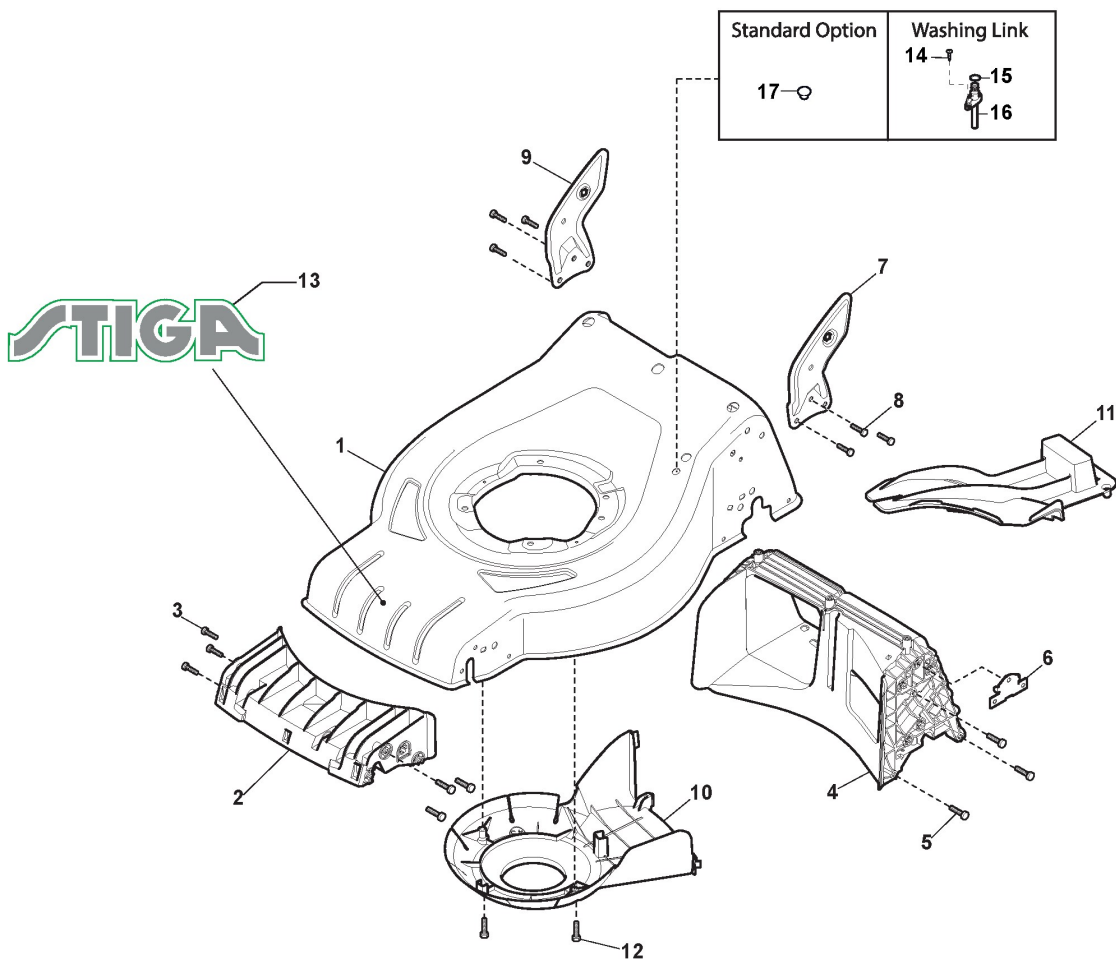
COMBI 48 SE B (2018)

295486528/STX

Spare parts list **Reservdelar** **Repuestos** **Ersatzteile** **Pièces détachées** **Reserve onderdelen** **Catalogo ricambi**

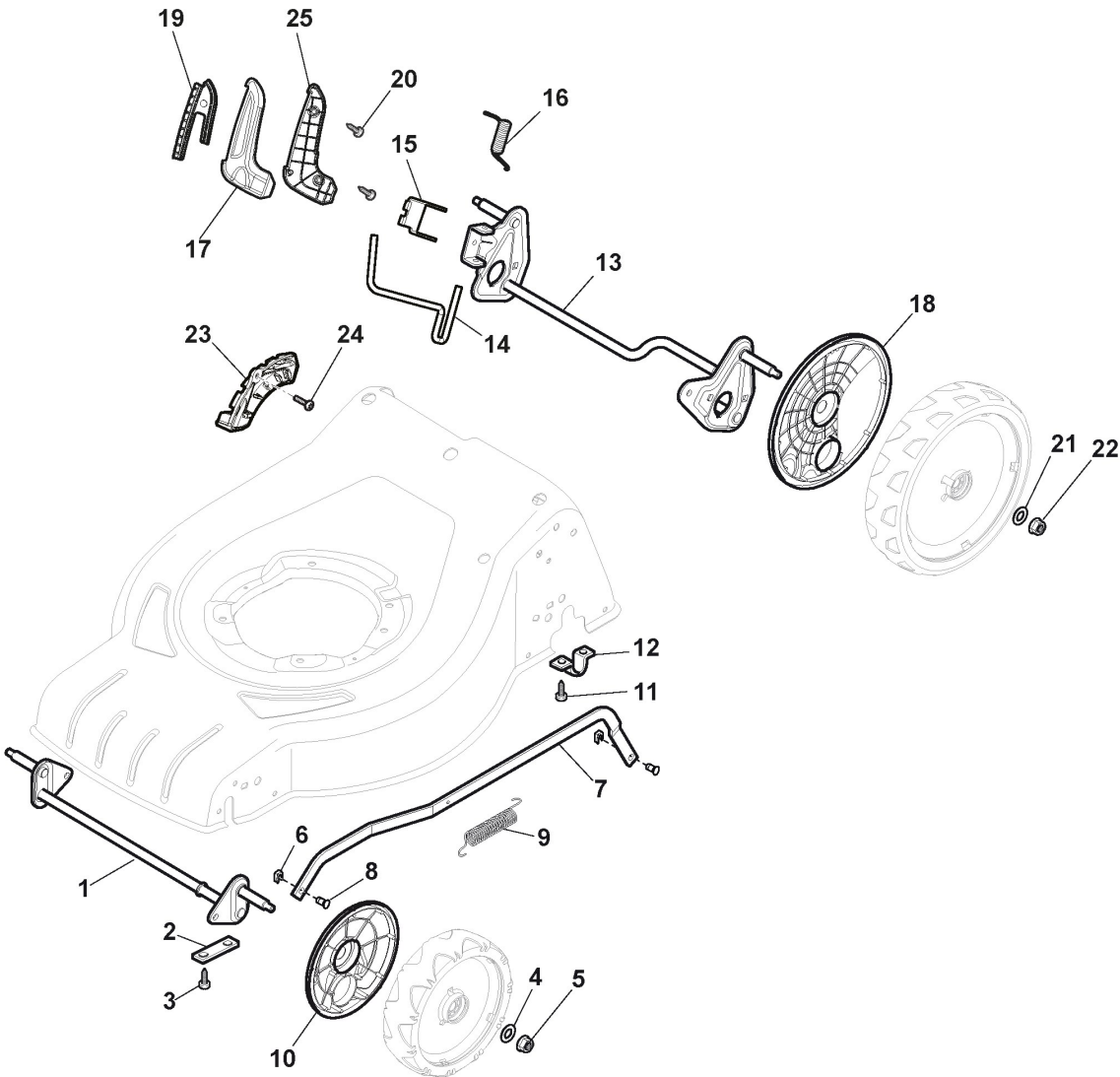
- Use ST. S.p.A. Genuine Spare Parts specified in the parts list for repair and/or replacement.
- The contents described in the parts list may change due to improvement.
- The drawings of the spare parts are only indicative And might Not represent the part in question exactly.
- The indications "right" - "left" - "front" - "rear" refer to the position of the operator when using the machine.
- When placing orders of parts for repair And/Or replacement, make sure that the illustrated parts list Is the one applying to the machine's year of manufacture, as shown on the identification plate attached to the machine.

All rights reserved. No part Of this material may be reproduced Or transmitted, in any form Or by any means, electronic Or mechanical, including photocopying, recording Or by any information storage And retrieval system, without permission in writing from ST. S.p.A.



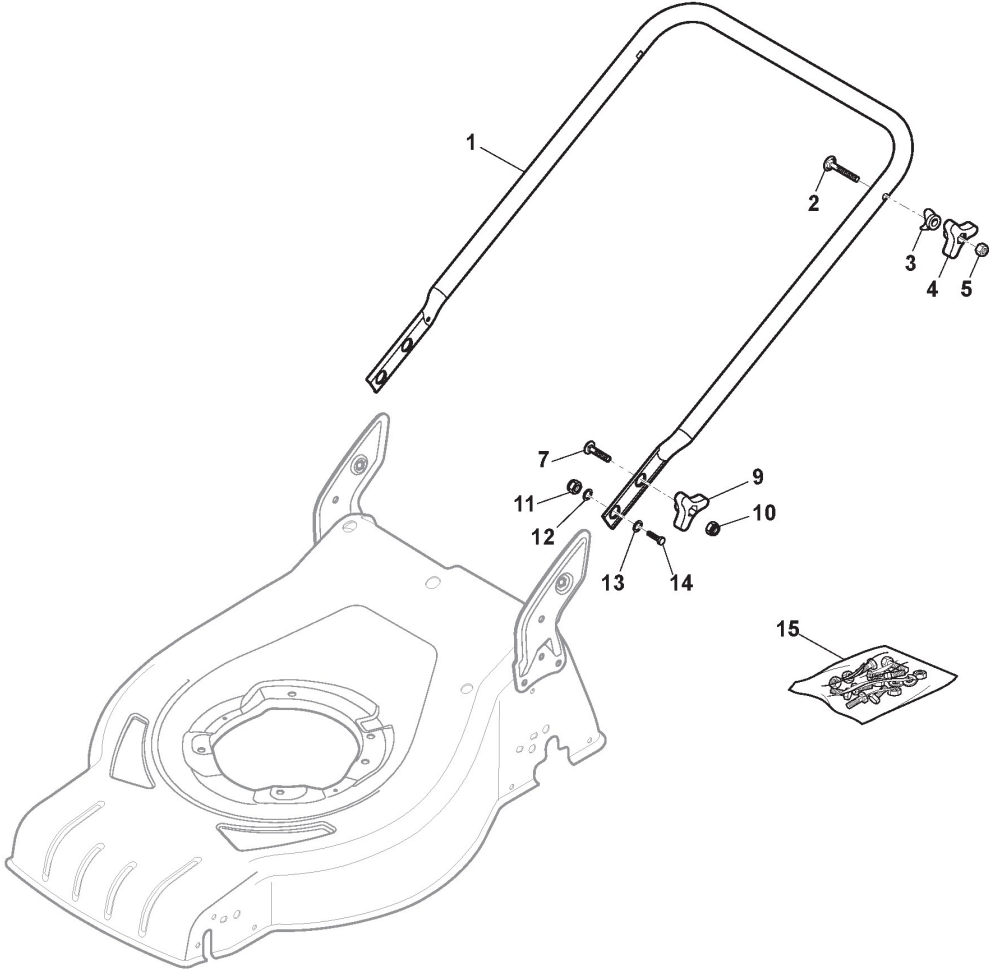
Deck

Ref.nr.	Antal	Komponentkode	Beskrivelse	Noter	From	Op til
1	1	381004933/0	Grey Deck			
2	1	322108301/2	Front Conveyor Assy			
3	6	112728699/0	Screw			
4	1	322108302/0	Rear Conveyor Assy	To 31-August-2017		
4	1	322108392/0	Rear Conveyor Assy	From 01-September-2017		
5	6	112728699/0	Screw			
6	2	322545213/0	Plate			
7	1	381005179/0	Bracket			
8	6	112727801/0	Screw			
9	1	381005177/0	Bracket			
10	1	322060242/1	Belt Protection	To 31-August-2018		
10	1	322060242/2	Belt Protection	From 01-September-2018		
11	1	322140239/1	Mulching Deflector			
12	2	112728531/0	Screw			
13	1	114367494/2	Label STIGA logo			
14	1	112728450/0	Screw			
15	1	119035000/0	Or Ring			
16	1	322034002/0	Washing Connection			
17	1	322820077/1	Cap			



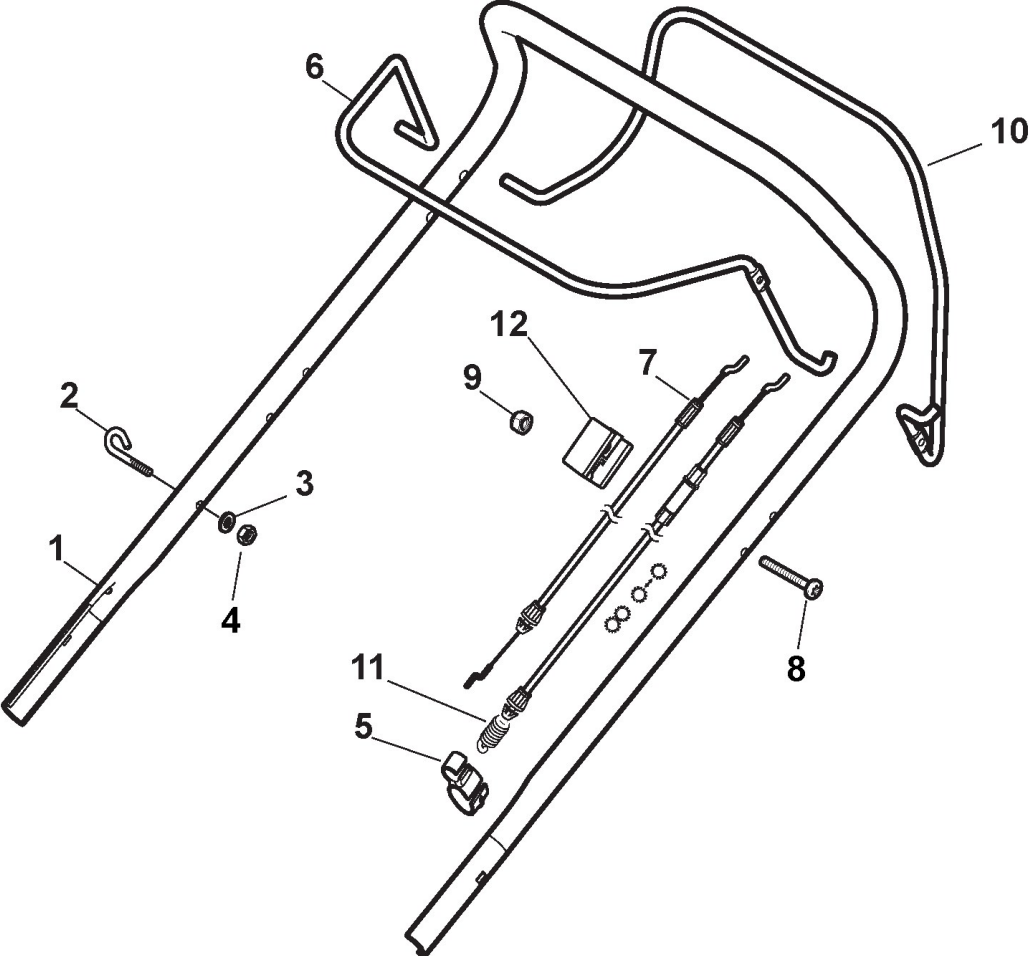
Height Adjusting

Ref.nr.	Antal	Komponentkode	Beskrivelse	Noter	From	Op til
1	1	381302821/0	Front Wheel Axle			
2	2	322545142/0	Plate			
3	4	112728698/0	Screw			
4	2	112521350/0	Washer			
5	2	112155000/0	Nut			
6	2	112436051/0	Plate			
7	1	322869673/0	Rod, Height Adjustment			
7	1	322869683/0	Rod, Height Adjustment	Specific for B&S 500 E Series		
8	2	122519820/0	Pin			
9	1	122446193/0	Spring			
10	2	322600247/0	Protection, Wheel			
11	4	112728698/0	Screw			
12	2	322545152/0	Plate			
13	1	381302817/0	Rear Wheel Axle			
14	1	322321553/0	Pin			
15	1	322557179/0	Plate			
16	1	122446198/0	Spring	To 31-August-2018		
16	1	122446198/1	Spring	From 01-September-2018		
17	1	322394552/0	Handle	Grey NCS S8000-N		
18	2	322600205/1	Protection, Wheel			
19	1	322394551/0	Handgrip	Black		
20	2	112728696/0	Screw			
21	2	112521350/0	Washer			
22	2	112155000/0	Nut			
23	1	322735606/0	Sector, Height Adjustment			
24	2	112728697/0	Screw			
25	1	322394560/0	Handle, Lower Part	Grey NCS S8000-N		



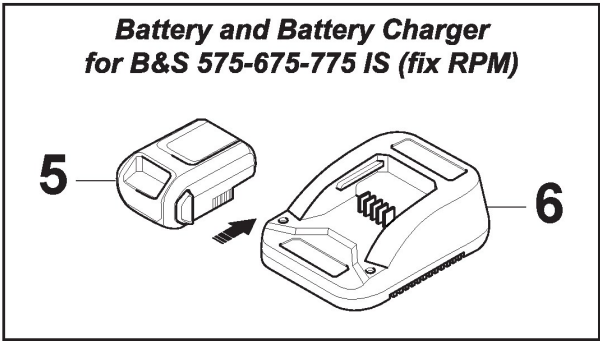
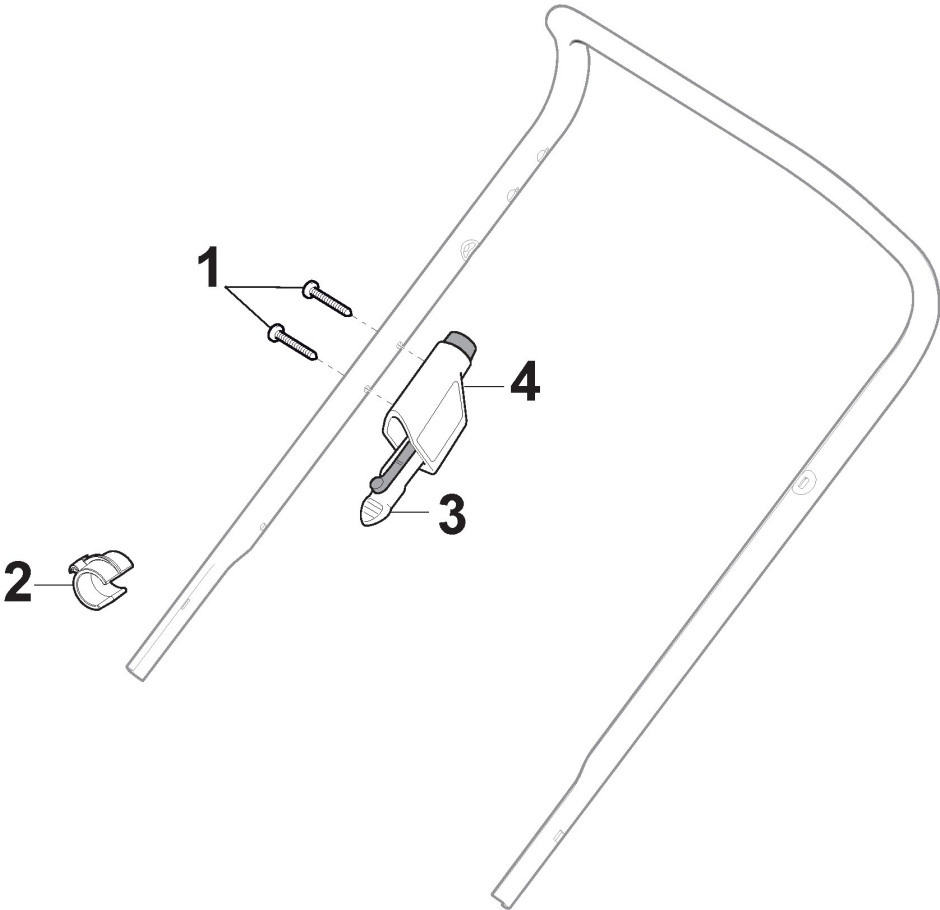
Handle, Lower Part

Ref.nr.	Antal	Komponentkode	Beskrivelse	Noter	From	Op til
1	1	381007537/0	Handle, Lower Part Yellow	Yellow		
2	2	112819110/0	Screw			
3	2	122671651/0	Washer			
4	2	122399900/0	Knob	Black		
5	2	112293200/0	Nut			
7	2	112818900/0	Screw			
9	2	122399900/0	Knob	Black		
10	2	112293200/0	Nut			
11	2	112155000/0	Nut			
12	2	112521350/0	Washer			
13	2	112369500/0	Elastic Washer			
14	2	112760605/0	Screw			
15	1	381008691/0	Outfit, Screws	Black		



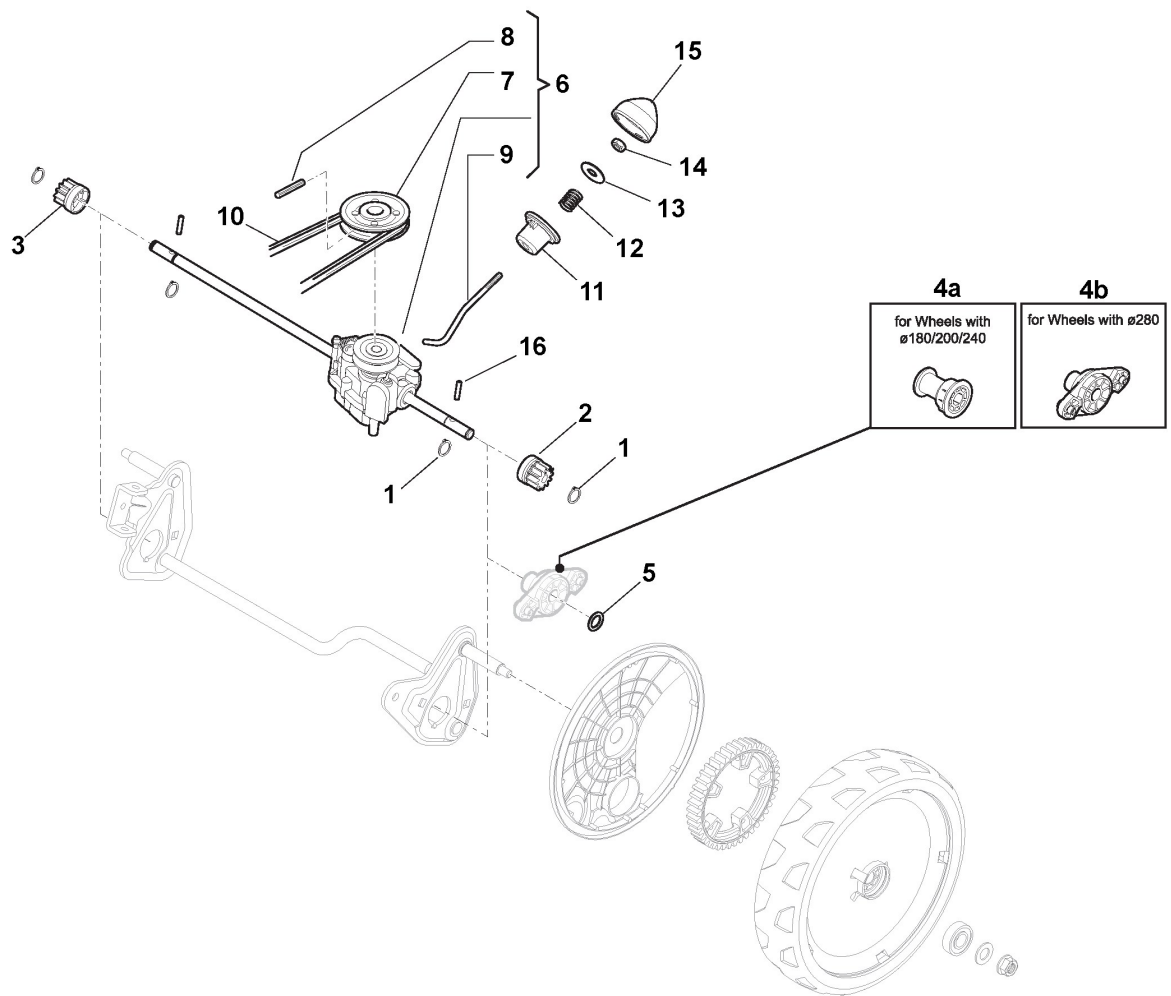
Handle, Upper Part

Ref.nr.	Antal	Komponentkode	Beskrivelse	Noter	From	Op til
1	1	381007601/0	Handle, Upper Part	Yellow with Sponge;To 31-August-2017		
1	1	381007601/1	Handle, Upper Part	Yellow with Sponge;From 01-September-2017 To 31-August-2018		
1	1	381007601/2	Handle, Yellow Upper Part	Yellow with Sponge;From 01-september-2018		
2	1	122430313/0	Guide Spring			
3	1	112521330/0	Washer			
4	1	112154510/0	Nut			
5	1	118390020/0	Conduit Clip			
6	1	181003363/0	Lever, Engine Brake Black	Black;To 31-August-2010		
6	1	181003363/1	Lever, Engine Brake Black	Black;From 01-september-2010		
7	1	181030056/0	Cable, Thread Engine Brake			
8	1	112727783/0	Screw			
9	1	112154510/0	Nut			
10	1	181003364/0	Drive Control Lever	Black		
11	1	381030051/0	Cable Rear Drive			
12	1	322551640/0	Plate			



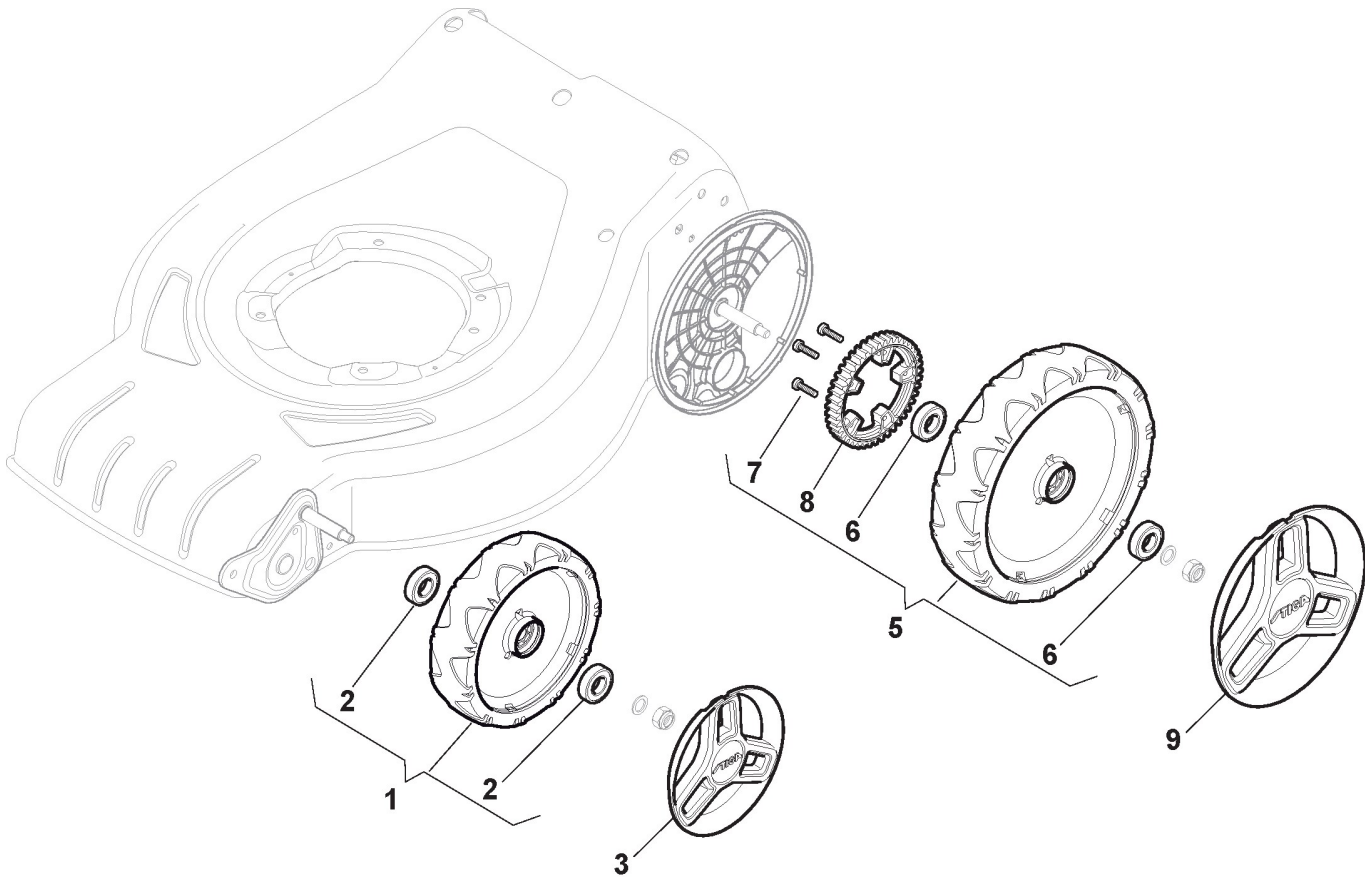
Electric Start Controls

Ref.nr.	Antal	Komponentkode	Beskrivelse	Noter	From	Op til
1	2	112728702/0	Screw			
2	1	133320022/0	Fastpoint Clamp Art.0384.Aa01			
3	1	322076570/1	Battery Safety Key			
4	1	381600401/1	Switch			
5	1	118120061/0	Battery	To 31-december-2018		
5	1	118120063/0	Battery	From 01-January-2019		
6	1	118204136/0	Battery Charger	CE plug;To 31-August-2017		
6	1	118204136/1	Battery Charger	CE plug;From 01-september-2017		
6	1	118204137/0	Battery Charger	UK plug;To 31-August-2017		
6	1	118204137/1	Battery Charger	UK plug;From 01-september-2017		



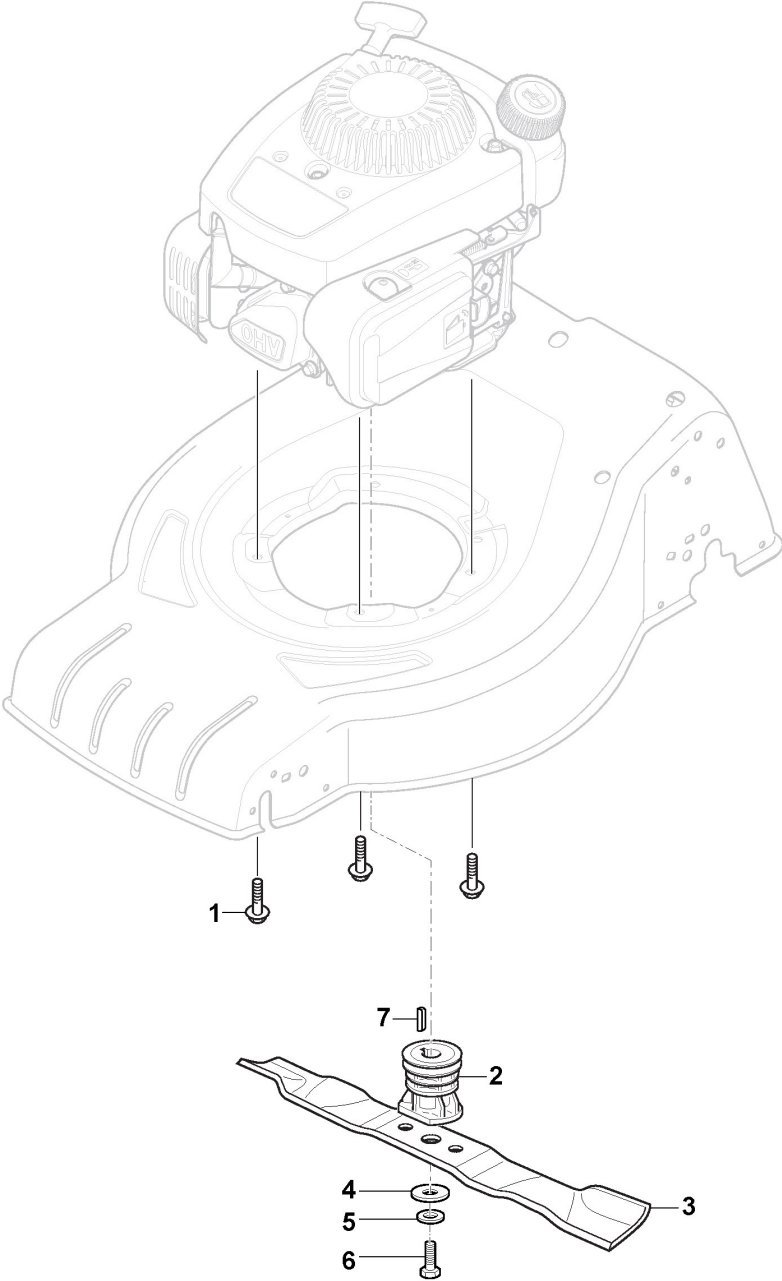
Transmission

Ref.nr.	Antal	Komponentkode	Beskrivelse	Noter	From	Op til
1	4	112608600/0	Seeger			
2	1	122570120/1	Pinion Left			
3	1	122570110/1	Pinion Right			
4a	2	322042066/0	Bushing	For wheels ø180/200/240		
5	2	112521371/0	Washer			
6	1	181003092/0	Gear Box			
7	1	122601904/0	Pulley	To 31-August-2013		
7	1	122601909/0	Pulley	From 01-September-2013		
8	1	112645705/0	Elastic Pin	ø5X32		
9	1	122033283/0	Adjustment Rod			
10	1	1111-9123-01	Drive Belt	with Stiga Pack		
11	1	122041957/1	Bushing			
12	1	122450063/0	Spring			
13	1	322680009/0	Washer			
14	1	112154510/0	Nut			
15	1	122110230/0	Hub Cover			
16	2	122753000/0	Pin			



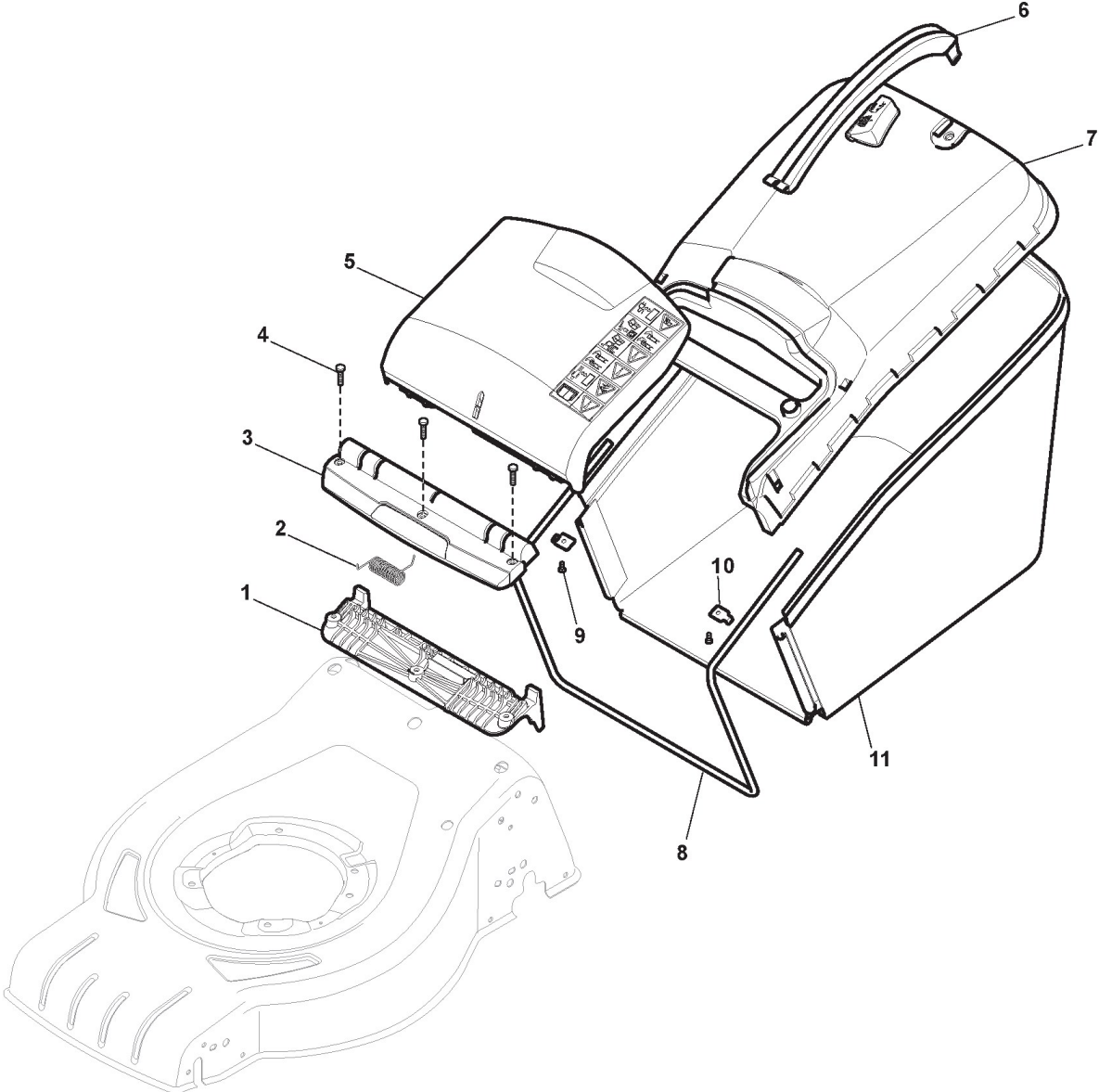
Wheels and Hub Caps

Ref.nr.	Antal	Komponentkode	Beskrivelse	Noter	From	Op til
1	2	381007455/1	Wheel - Short Hub			
2	4	119216035/0	Bearing			
3	2	322110744/0	Hub Cap Grey			
5	2	381007467/1	Wheel			
6	4	119216035/0	Bearing			
7	6	112728706/0	Screw			
8	2	322120117/0	Wheels Crown Ø240 Wbh Cruiser			
9	2	322110745/0	Hub Cap Grey			



Blade

Ref.nr.	Antal	Komponentkode	Beskrivelse	Noter	From	Op til
1	3	112735108/1	Screw			
2	1	1111-9120-01	Blade Holder	with STIGA pack		
3	1	1111-9278-01	Mulching Blade (STIGA Pack)	with STIGA pack;To 31-August-2018		
3	1	1111-9278-02	Mulching Blade	with STIGA pack;From 01-september-2018		
4	1	122160400/0	Elastic Disc	To 31-March-2018		
4	1	322680021/0	Washer	From 01-April-2018		
5	1	112508125/0	Elastic Washer	From 01-April-2018 To 31-December-2018		
5	1	112508128/0	Elastic Disc	From 01-January-2019		
5	1	112523080/0	Washer	To 31-March-2018		
6	1	112735698/0	Screw			
7	1	112139100/0	Key			



Grass-Catcher

Ref.nr.	Antal	Komponentkode	Beskrivelse	Noter	From	Op til
1	1	322785331/0	Black Stone Guard Support			
2	1	122450464/0	Spring			
3	1	322109556/0	Stone Guard Supp. Cover Yellow	Yellow		
4	3	112728699/0	Screw			
5	1	322600214/1	Stone Guard, Yellow	Yellow		
5	1	322600216/1	Stone Guard, Grey	Grey		
6	1	322393646/0	Handle, Yellow	Yellow;To 31-August-2013		
6	1	322393715/0	Handle, Grey	Grey NCSS-N;From 01-septembr-2013		
7	1	381486016/0A	Grass-Box, Upper Part Yellow	Yellow;To 31-August-2016		
7	1	381486029/0	Grass-Box, Upper Part Grey	Stiga Grey		
8	1	122608561/0	Grasscatcher Lower Stiffening Cruiser			
9	2	112728692/0	Screw			
10	2	322545159/0	Plate			
11	1	181102331/0	Box, Fabric	Black with STIGA Logo		