

# STIGA

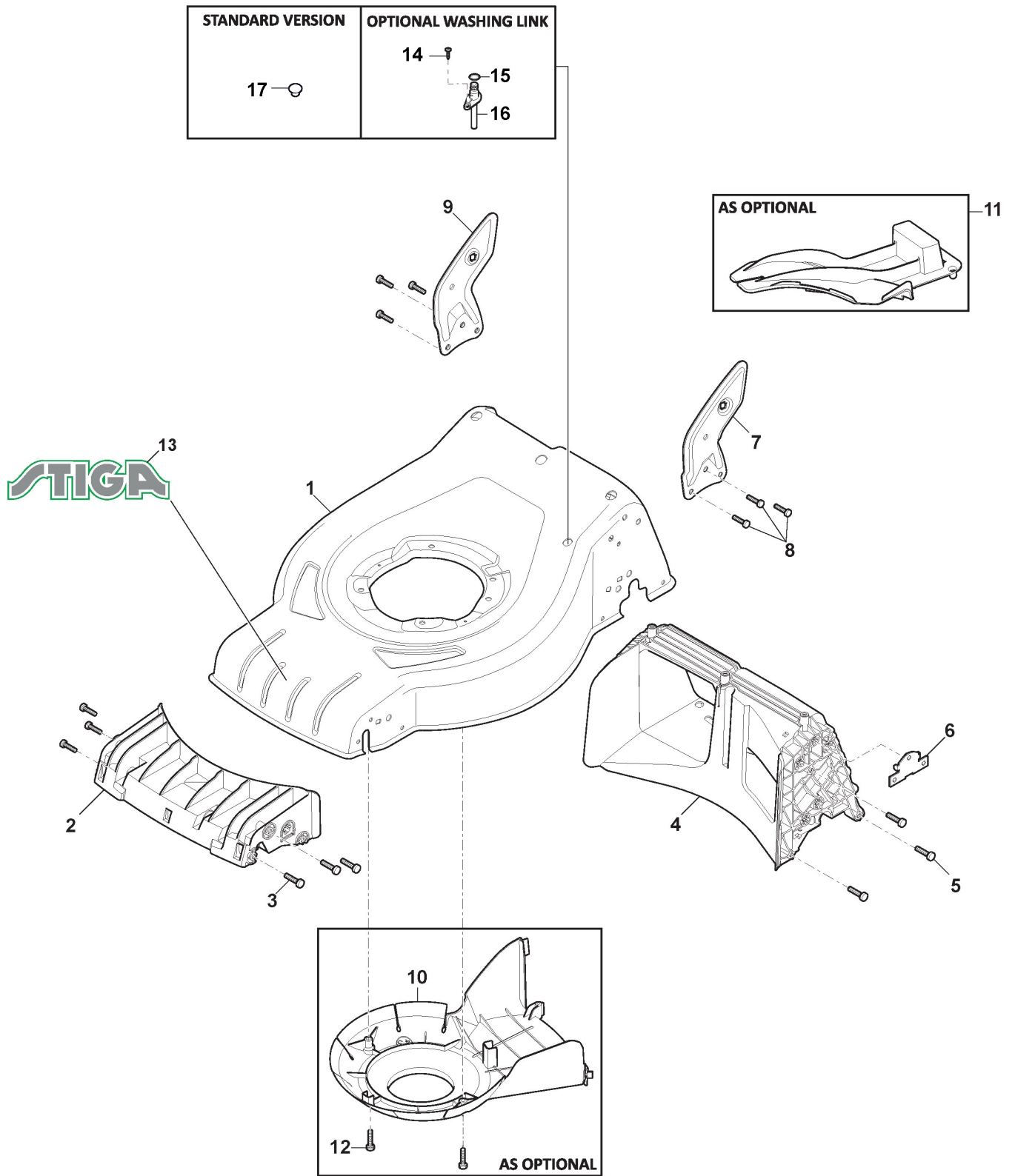
## COMBI 48 SE B (2019)

295486528/STX

### **Spare parts list** **Reservdelar** **Repuestos** **Ersatzteile** **Pièces détachées** **Reserve onderdelen** **Catalogo ricambi**

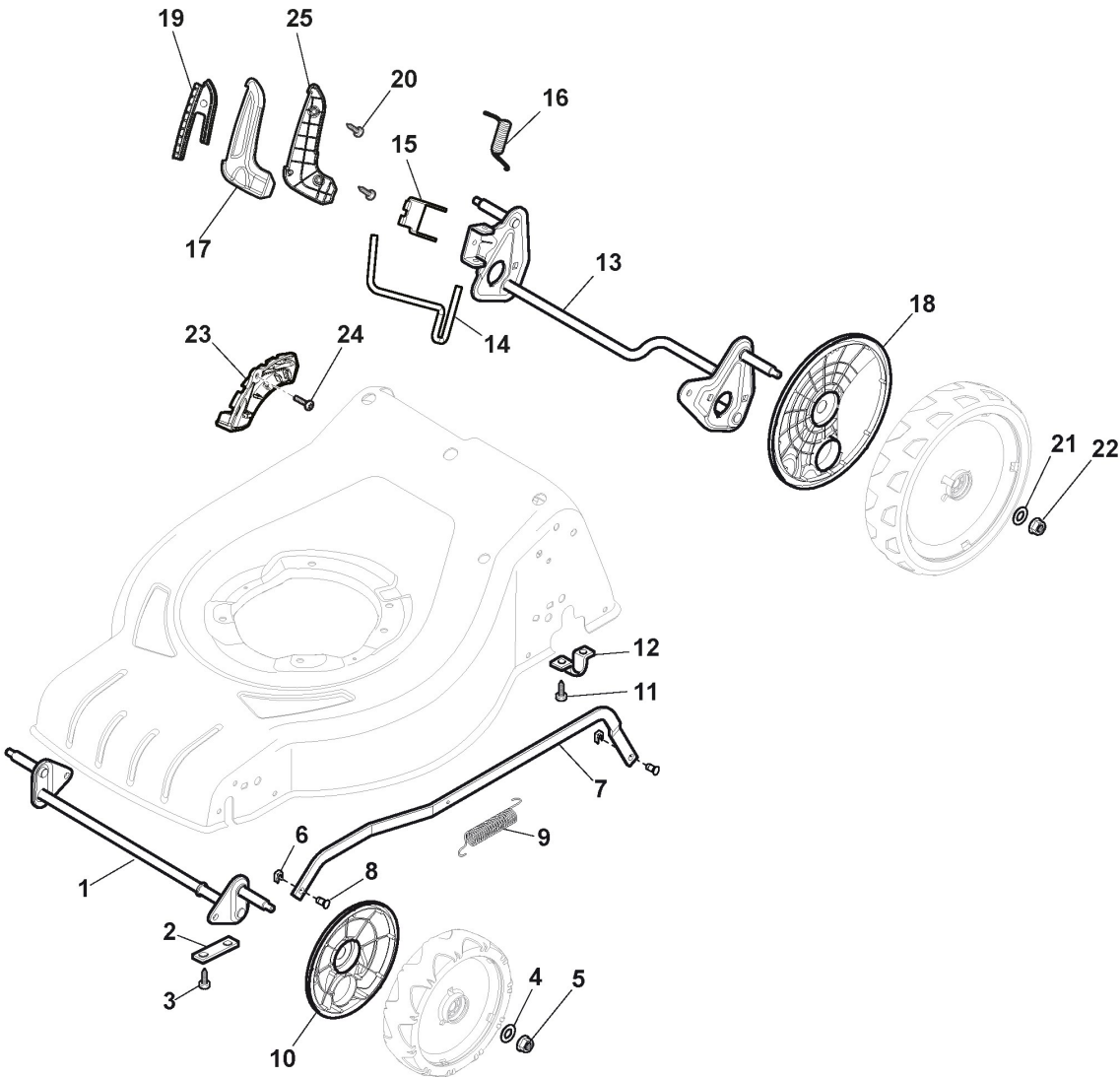
- Use ST. S.p.A. Genuine Spare Parts specified in the parts list for repair and/or replacement.
- The contents described in the parts list may change due to improvement.
- The drawings of the spare parts are only indicative And might Not represent the part in question exactly.
- The indications "right" - "left" - "front" - "rear" refer to the position of the operator when using the machine.
- When placing orders of parts for repair And/Or replacement, make sure that the illustrated parts list Is the one applying to the machine's year of manufacture, as shown on the identification plate attached to the machine.

All rights reserved. No part Of this material may be reproduced Or transmitted, in any form Or by any means, electronic Or mechanical, including photocopying, recording Or by any information storage And retrieval system, without permission in writing from ST. S.p.A.



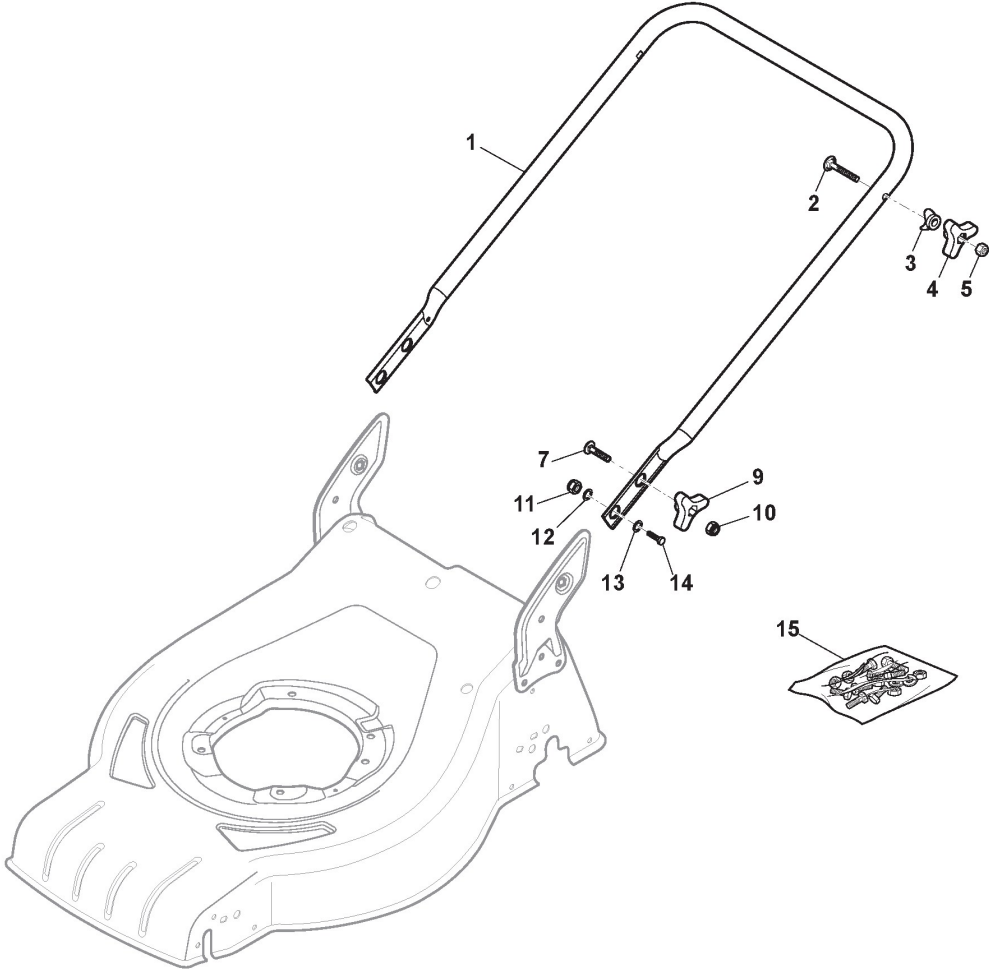
## Deck

Ref.nr.	Antal	Komponentkode	Beskrivelse	Noter	From	Op til
1	1	381004933/0	Grey Deck			
2	1	322108301/2	Front Conveyor Assy			
3	6	112728699/0	Screw			
4	1	322108302/0	Rear Conveyor Assy			To
4	1	322108392/0	Rear Conveyor Assy		From 01-September-2017	
5	6	112728699/0	Screw			
6	2	322545213/0	Plate			
7	1	381005179/0	Bracket			
8	6	112727801/0	Screw			
9	1	381005177/0	Bracket			
10	1	322060242/1	Belt Protection	As Optional		To
10	1	322060242/2	Belt Protection	As Optional	From	31-August-2018
11	1	322140239/1	Mulching Deflector	As Optional		
12	2	112728531/0	Screw	As Optional		
13	1	114367494/2	Label STIGA logo			
14	1	112728450/0	Screw			
15	1	119035000/0	Or Ring			
16	1	322034002/0	Washing Connection			
17	1	322820077/1	Cap			



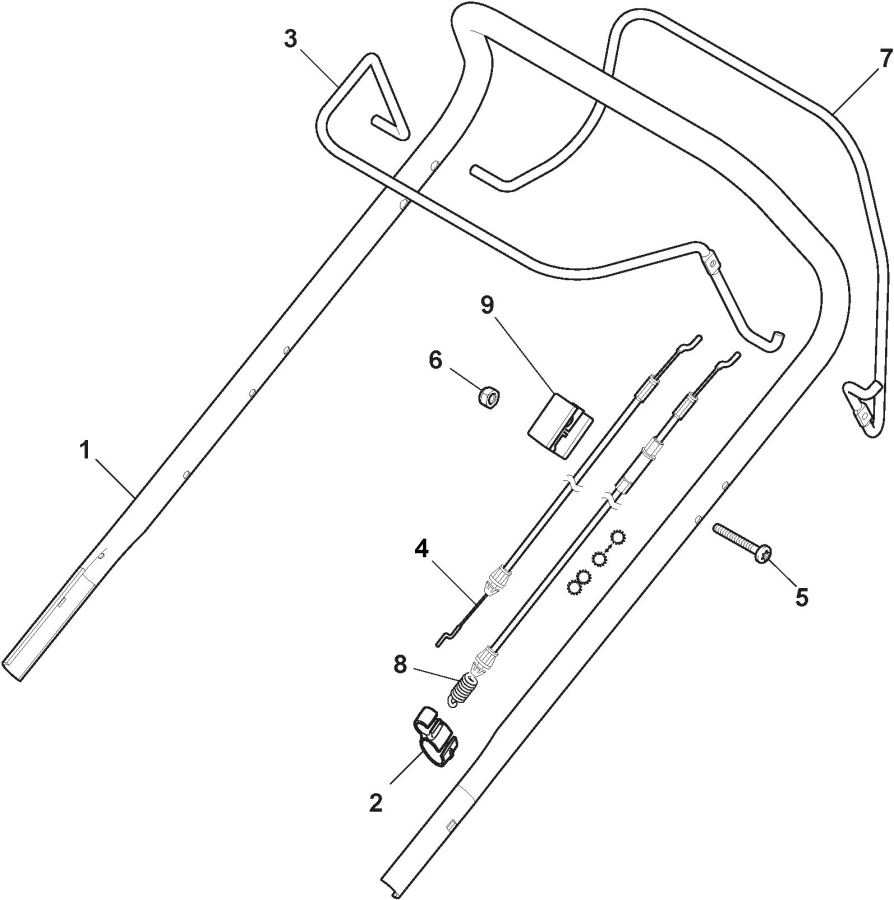
## Height Adjusting

Ref.nr.	Antal	Komponentkode	Beskrivelse	Noter	From	Op til
1	1	381302821/0	Front Wheel Axle			To S/N 20BA2WBH 054315
1	1	381302821/1	Front Wheel Axle		From S/N 20BA2WBH 070583	
2	2	322545142/0	Plate			
3	4	112728698/0	Screw			
4	2	112521350/0	Washer			
5	2	112155000/0	Nut			
6	2	112436051/0	Plate			
7	1	322869673/0	Rod, Height Adjustment			To S/N 20BA2WBH 061216
7	1	322869673/1	Rod, Height Adjustment		From S/N 20BA2WBH 070583	
8	2	122519820/0	Pin			
9	1	122446193/0	Spring			
10	2	322600247/0	Protection, Wheel	As Optional		
11	4	112728698/0	Screw			
12	2	322545152/0	Plate			
13	1	381302817/0	Rear Wheel Axle			To S/N 20BA2WBH 061216
13	1	381302817/1	Rear Wheel Axle		From S/N 20BA2WBH 070583	
14	1	322321553/0	Pin			
15	1	322557179/0	Plate			
16	1	122446198/0	Spring			To S/N SK8142514
16	1	122446198/1	Spring		From S/N SK8142514	
17	1	322394552/0	Handle	Grey NCS S8000-N		
18	2	322600205/1	Protection, Wheel			
19	1	322394551/0	Handgrip	Black		
20	2	112728696/0	Screw			
21	2	112521350/0	Washer			
22	2	112155000/0	Nut			
23	1	322735606/0	Sector, Height Adjustment			
24	2	112728697/0	Screw			
25	1	322394560/0	Handle, Lower Part	Grey NCS S8000-N		



## Handle, Lower Part

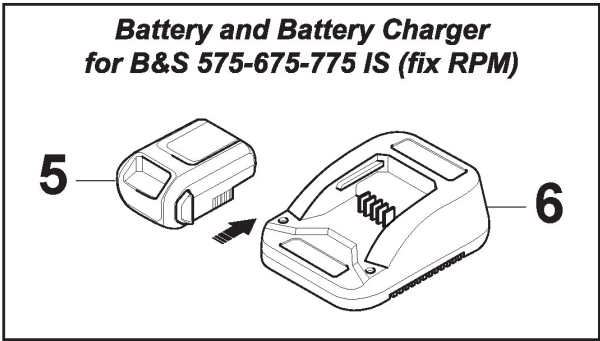
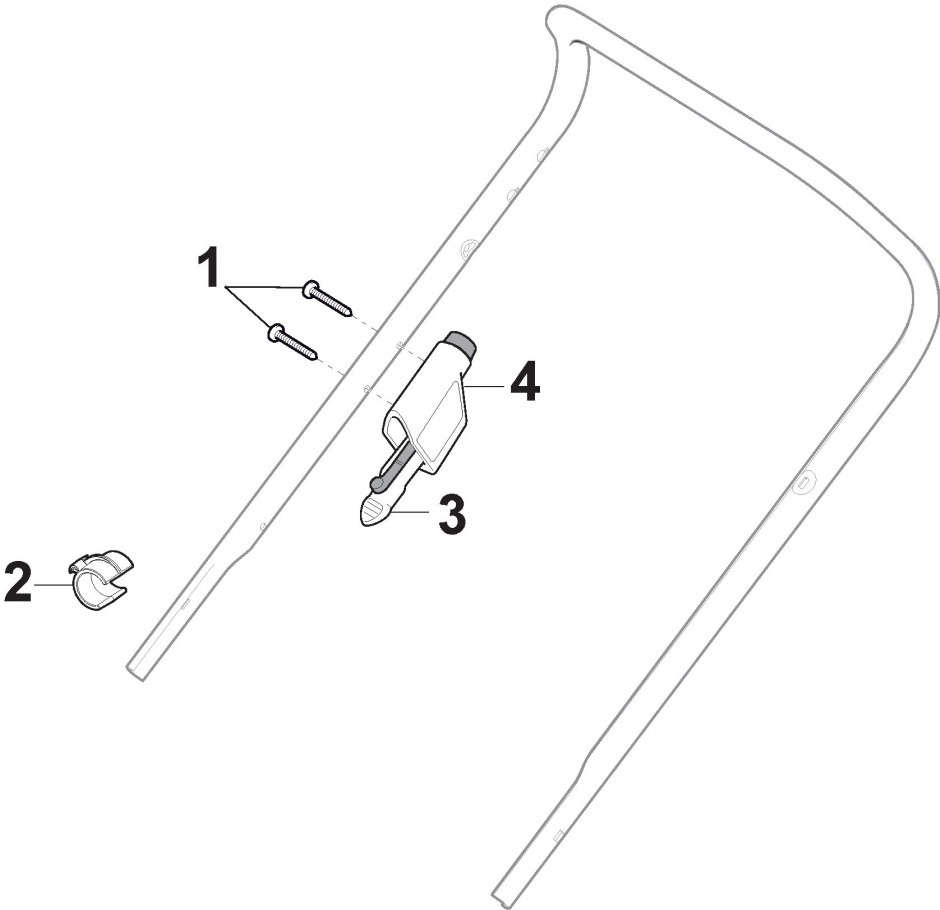
Ref.nr.	Antal	Komponentkode	Beskrivelse	Noter	From	Op til
1	1	381007537/0	Handle, Lower Part Yellow	Yellow		
2	2	112819110/0	Screw			
3	2	122671651/0	Washer			
4	2	122399900/0	Knob	Black		
5	2	112293200/0	Nut			
7	2	112818900/0	Screw			
9	2	122399900/0	Knob	Black		
10	2	112293200/0	Nut			
11	2	112155000/0	Nut			
12	2	112521350/0	Washer			
13	2	112369500/0	Elastic Washer			
14	2	112760605/0	Screw			
15	1	381008691/0	Outfit, Screws	Black		





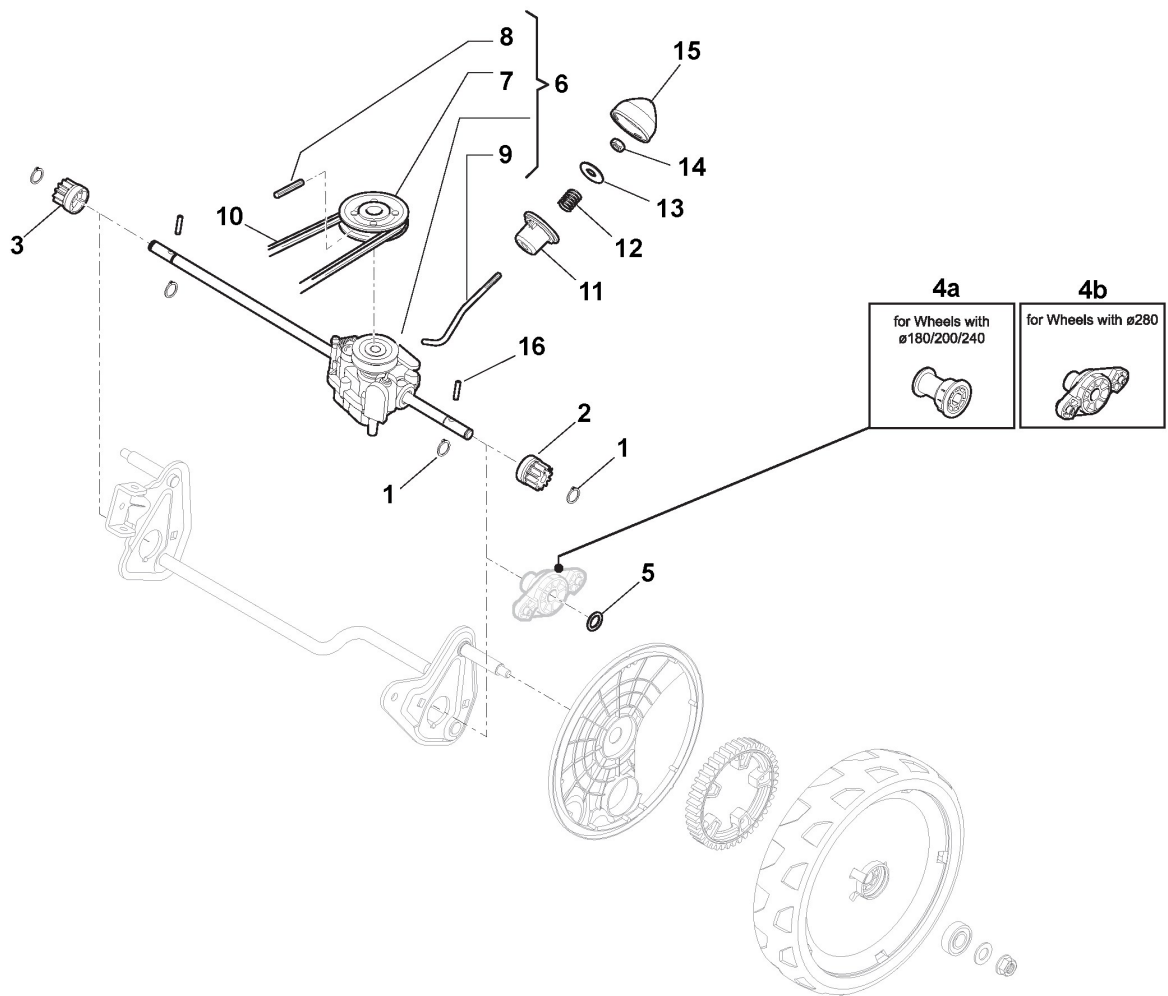
## Handle, Upper Part

Ref.nr.	Antal	Komponentkode	Beskrivelse	Noter	From	Op til
1	1	381007601/2	Handle, Yellow Upper Part	Yellow with Sponge		
2	1	118390020/0	Conduit Clip			
3	1	181003363/1	Lever, Engine Brake Black	Black		
4	1	181030056/0	Cable, Thread Engine Brake			
5	1	112727783/0	Screw			
6	1	112154510/0	Nut			
7	1	181003364/0	Drive Control Lever	Black		
8	1	381030051/0	Cable Rear Drive			
9	1	322551640/0	Plate			
9	1	322551685/0	Cable Holder ø22		From S/N 20AA2WBH 066504	To S/N 20AA2WBH 066503



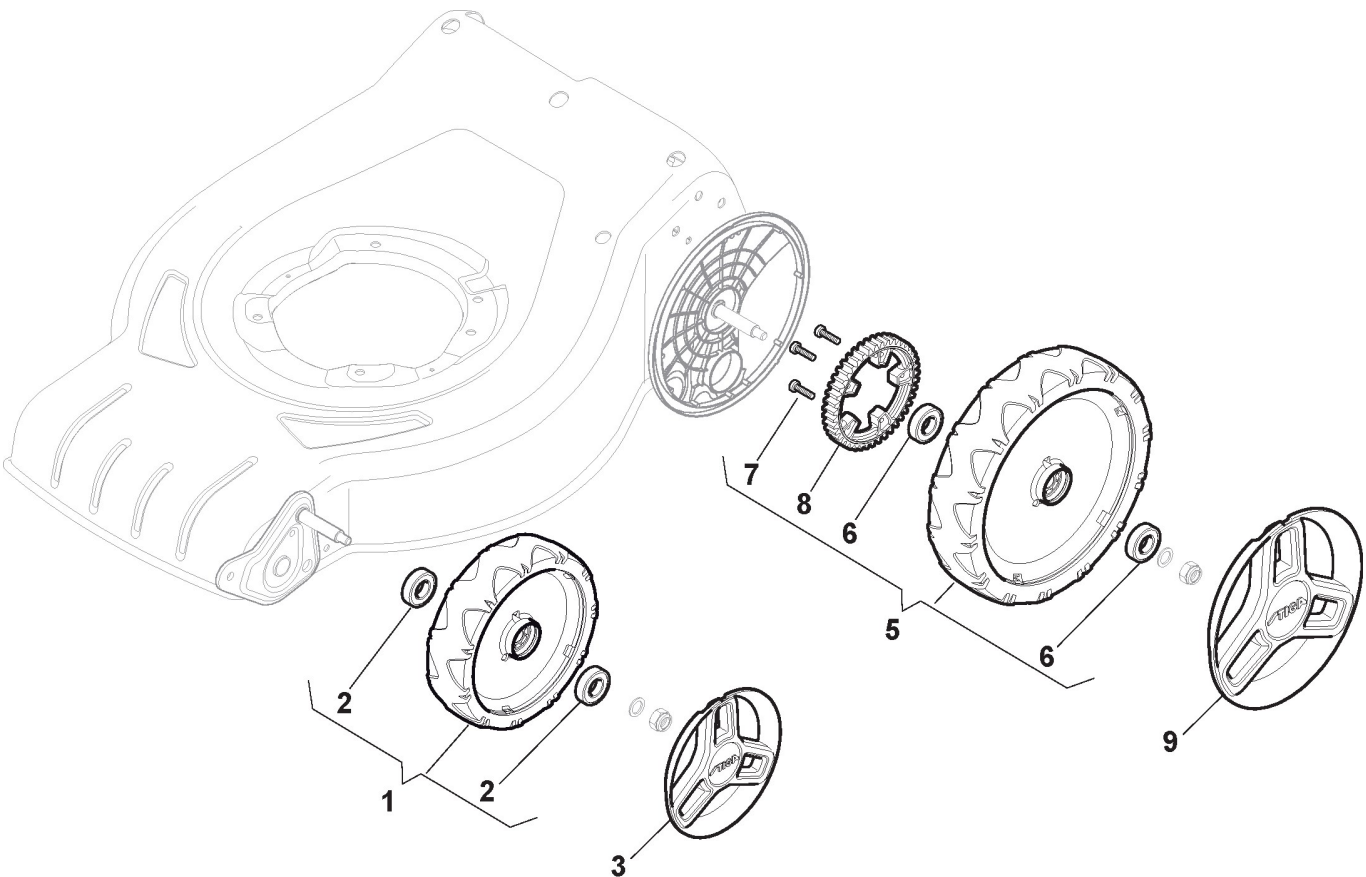
## Electric Start Controls

Ref.nr.	Antal	Komponentkode	Beskrivelse	Noter	From	Op til
1	2	112728702/0	Screw			
2	1	133320022/0	Fastpoint Clamp Art.0384.Aa01			
3	1	322076570/1	Battery Safety Key			
4	1	381600401/1	Switch			
5	1	118120061/0	Battery			To 31-Decemb er-2018
5	1	118120063/0	Battery		From 01-Septem ber-2017	
6	1	118204136/0	Battery Charger	CE Plug		To 31-August- 2017
6	1	118204136/1	Battery Charger	CE Plug	From 01-Septem ber-2017	
6	1	118204137/0	Battery Charger	BS plug		To 31-August- 2017
6	1	118204137/1	Battery Charger	BS Plug	From 01-Septem ber-2017	



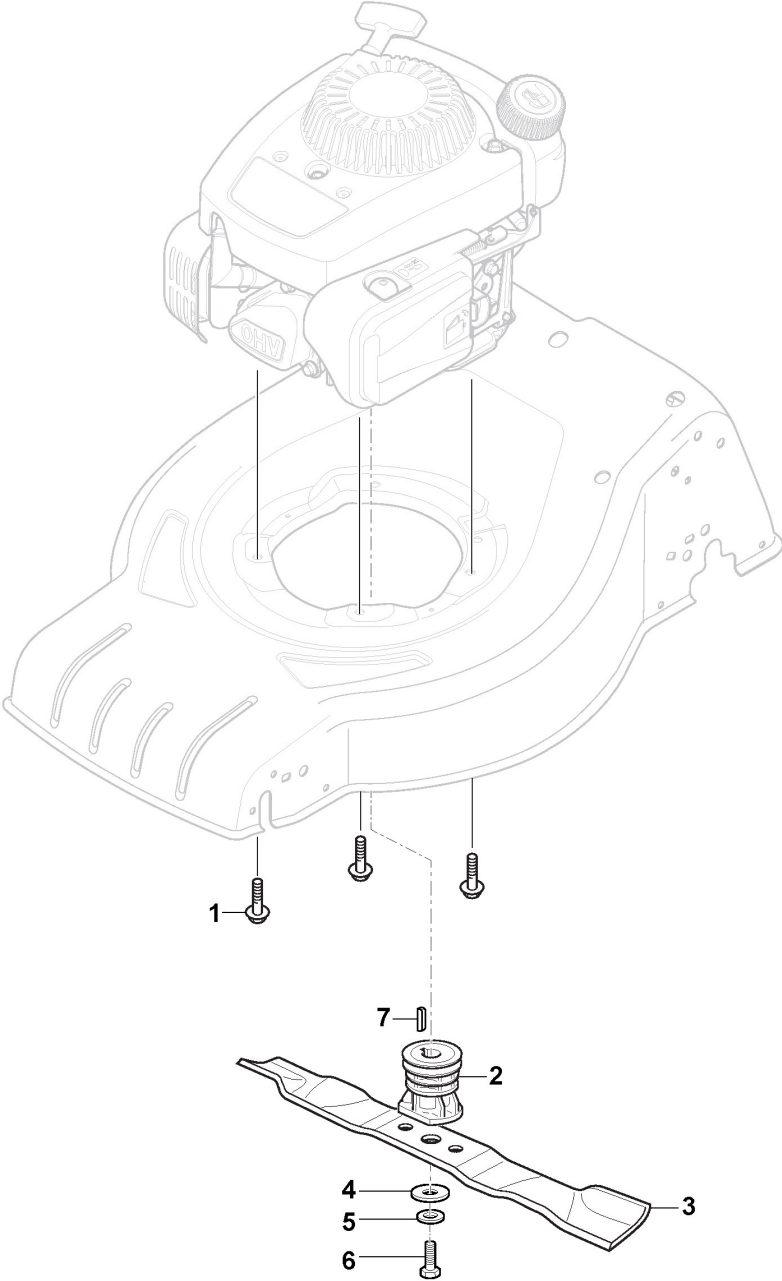
## Transmission

Ref.nr.	Antal	Komponentkode	Beskrivelse	Noter	From	Op til
1	4	112608600/0	Seeger			
2	1	122570120/1	Pinion Left			
3	1	122570110/1	Pinion Right			
4a	2	322042066/0	Bushing	For wheels ø180/200/240		
5	2	112521371/0	Washer			
6	1	181003092/0	Gear Box			
7	1	122601904/0	Pulley			
7	1	122601909/0	Pulley		From	To 31-August- 2013
8	1	112645705/0	Elastic Pin	ø5X32		
9	1	122033283/0	Adjustment Rod			
10	1	1111-9123-01	Drive Belt	Stiga Packed into 135063800/0		
10	1	135063800/0	Trapezoidal Belt			
11	1	122041957/1	Bushing			
12	1	122450063/0	Spring			
13	1	322680009/0	Washer			
14	1	112154510/0	Nut			
15	1	122110230/0	Hub Cover			
16	2	122753000/0	Pin			



## Wheels and Hub Caps

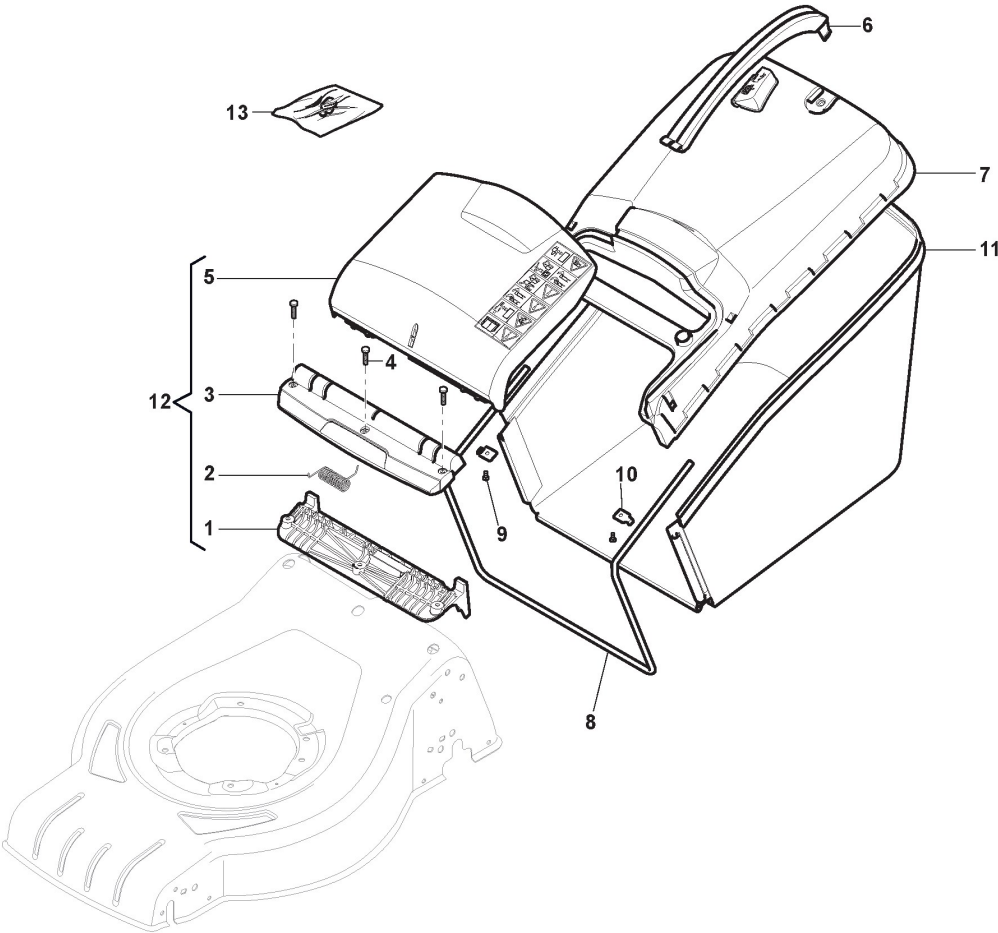
Ref.nr.	Antal	Komponentkode	Beskrivelse	Noter	From	Op til
1	2	381007455/1	Wheel - Short Hub			
2	4	119216035/0	Bearing			
3	2	322110744/0	Hub Cap Grey			
5	2	381007467/1	Wheel			
6	4	119216035/0	Bearing			
7	6	112728706/0	Screw			
8	2	322120117/0	Wheels Crown Ø240 Wbh Cruiser			
9	2	322110745/0	Hub Cap Grey			





## Blade

Ref.nr.	Antal	Komponentkode	Beskrivelse	Noter	From	Op til
1	3	112735108/1	Screw			
2	1	1111-9120-01	Blade Holder	Stiga Packed into 122465607/4		
2	1	122465607/4	Hub With Pulley, Crankshaft Ø 22.2			
3	1	1111-9278-01	Mulching Blade (STIGA Pack)	Stiga Packed into 181004460/0		To
3	1	1111-9278-02	Mulching Blade	Stiga Packed into 181004460/0	From	
3	1	181004460/0	Blade		01-September-2018	
4	1	322680021/0	Washer			To
4	1	322680021/1	Washer		From	31-August-2019
5	1	112508128/0	Elastic Disc			
6	1	112735698/0	Screw			
7	1	112139100/0	Key			



# Grass-Catcher

Ref.nr.	Antal	Komponentkode	Beskrivelse	Noter	From	Op til
1	1	322785331/0	Black Stone Guard Support			
2	1	122450464/0	Spring			
3	1	322109556/0	Stone Guard Supp. Cover Yellow	Yellow		
3	1	322109557/0	Stone Guard Supp. Cover Grey	Grey		
4	3	112728699/0	Screw			
5	1	322600214/1	Stone Guard, Yellow	Yellow		
5	1	322600216/1	Stone Guard, Grey	Grey		
8	1	122608561/0	Grasscatcher Lower Stiffening Cruiser			To 31-August-
8	1	122608561/1	Lower Stiffening		From 01-September-2019	
9	2	112728692/0	Screw			
10	2	322545159/0	Plate			
11	1	181102331/0	Box, Fabric	Black with STIGA Logo		
12	1	381008164/0	Stone Guard Assy, Yellow	Yellow		
12	1	381008166/0	Stone Guard Assy, Grey	Grey		
13	1	381008735/0	Outfit, Plastic Pin	Only Plastic Pin - Plastic Pin is also available on the screw pocket		