

STIGA

COLLECTOR 46 S (2017)

299274648/S14

Spare parts list Reservdelar Repuestos Ersatzteile Pièces détachées Reserve onderdelen Catalogo ricambi

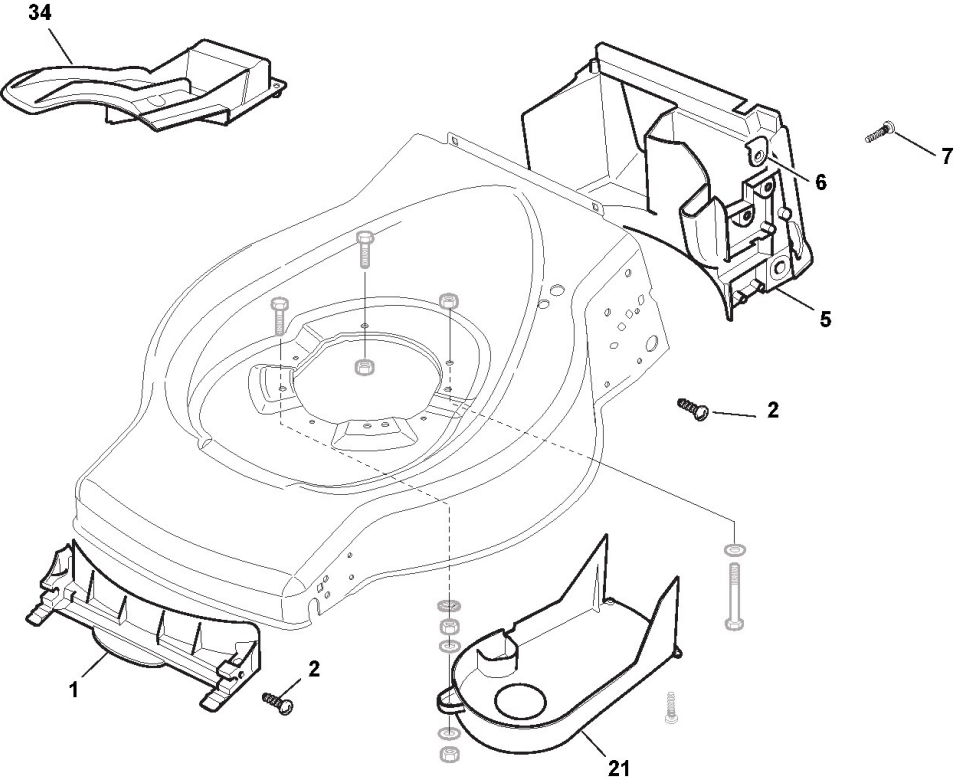


- Use ST. S.p.A. Genuine Spare Parts specified in the parts list for repair and/or replacement.
- The contents described in the parts list may change due to improvement.
- The drawings of the spare parts are only indicative And might Not represent the part in question exactly.
- The indications "right" - "left" - "front" - "rear" refer to the position of the operator when using the machine.
- When placing orders of parts for repair And/Or replacement, make sure that the illustrated parts list Is the one applying to the machine's year of manufacture, as shown on the identification plate attached to the machine.

All rights reserved. No part Of this material may be reproduced Or transmitted, in any form Or by any means, electronic Or mechanical, including photocopying, recording Or by any information storage And retrieval system, without permission in writing from ST. S.p.A.

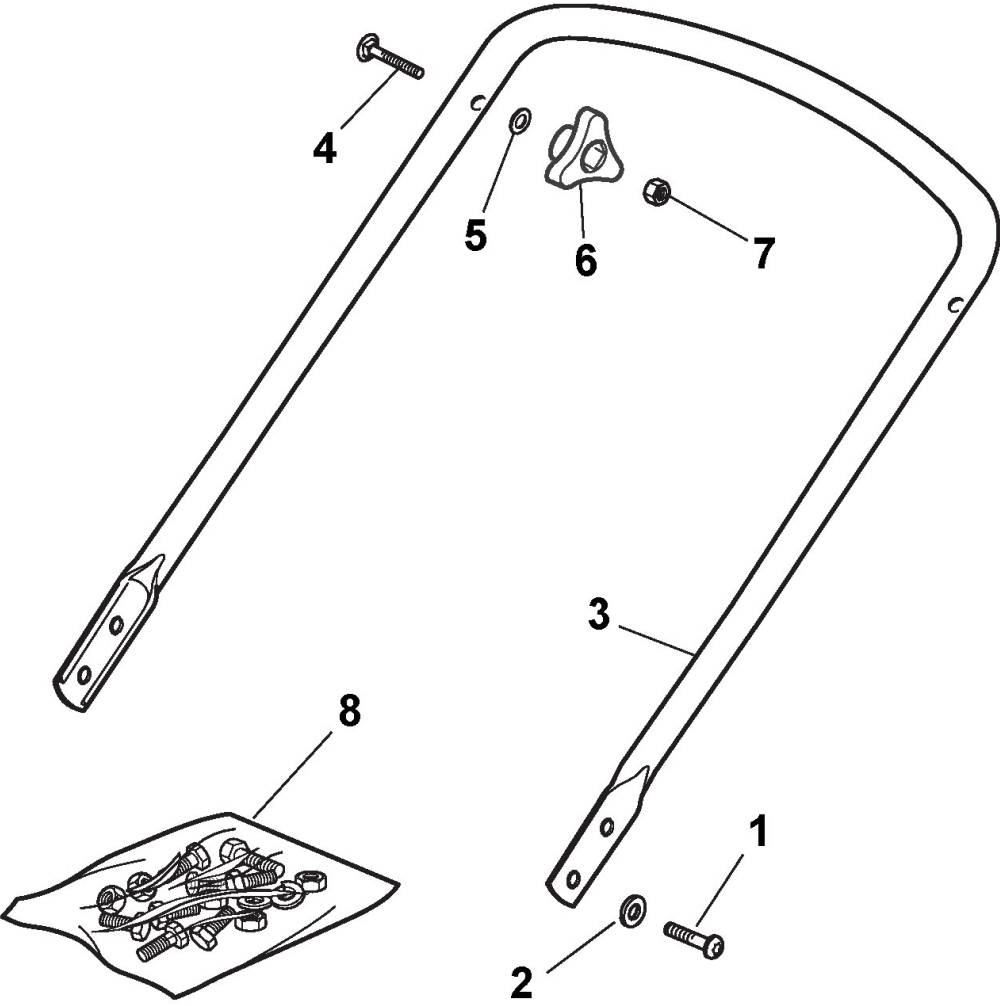
Deck And Height Adjusting

| Ref.nr. | Antal | Komponentkode | Beskrivelse | Noter | From | Op til |
|---------|-------|---------------|--------------------------|------------------------|------|--------|
| 1 | 1 | 381004745/0 | Grey Deck | From 01-September-2013 | | |
| 2 | 2 | 122131750/0 | Nut | | | |
| 3 | 1 | 381000153/0 | Front Wheel Axle | | | |
| 4 | 2 | 112760600/0 | Screw | To 31-August-2018 | | |
| 4 | 2 | 112760600/1 | Screw | From 01-September-2018 | | |
| 5 | 2 | 112155000/0 | Nut | | | |
| 6 | 2 | 322600095/0 | Protection, Wheel | | | |
| 7 | 1 | 122671653/0 | Washer | To 31-August-2006 | | |
| 7 | 2 | 325670011/0 | Antifriction Washer | From 01-September-2006 | | |
| 12 | 1 | 122033317/0 | Adjustment Rod | | | |
| 13 | 1 | 122033365/0 | Rear Wheel Axle | To 31-August-2006 | | |
| 13 | 2 | 381000159/0 | Rear Wheel Axle | From 01-September-2006 | | |
| 14 | 2 | 122753001/0 | Pin | | | |
| 16 | 2 | 322600106/0 | Protection, Wheel | To 31-August-2004 | | |
| 16 | 2 | 322600106/1 | Protection, Wheel | From 01-September-2004 | | |
| 17 | 1 | 381003303/0 | Lever, Height Adjustment | | | |
| 18 | 2 | 112728689/0 | Screw | | | |
| 19 | 4 | 122122202/0 | Bearing | | | |
| 22 | 1 | 122446186/0 | Spring | Only for 534 Models | | |



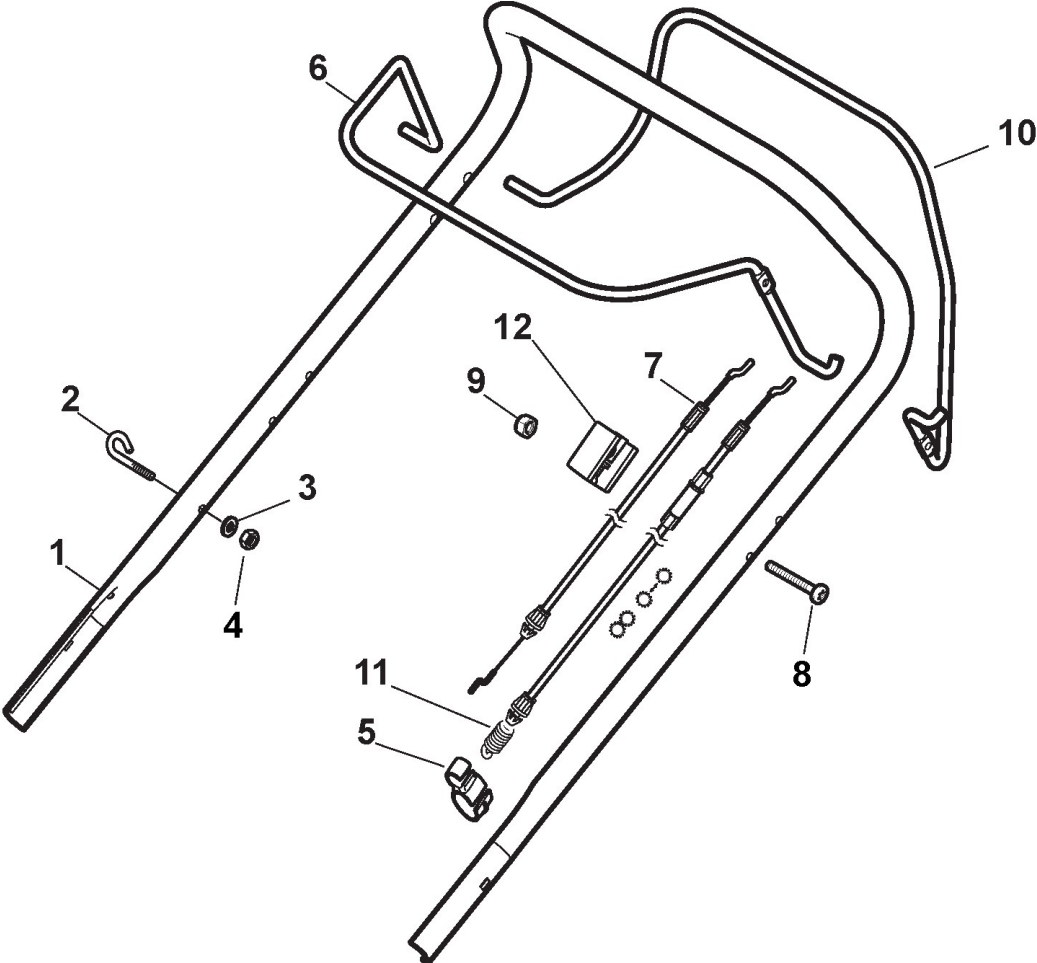
Front Conveyor Assy

| Ref.nr. | Antal | Komponentkode | Beskrivelse | Noter | From | Op til |
|---------|-------|---------------|---------------------|-------|------|--------|
| 1 | 1 | 322108271/0 | Front Conveyor Assy | | | |
| 2 | 6 | 112728686/0 | Screw | | | |
| 5 | 1 | 322108272/2 | Rear Conveyor Assy | | | |
| 6 | 4 | 322545189/0 | Plate | | | |
| 7 | 2 | 112728686/0 | Screw | | | |
| 21 | 1 | 322060212/0 | Protection, Belt | | | |
| 34 | 1 | 322140226/0 | Deflector | | | |



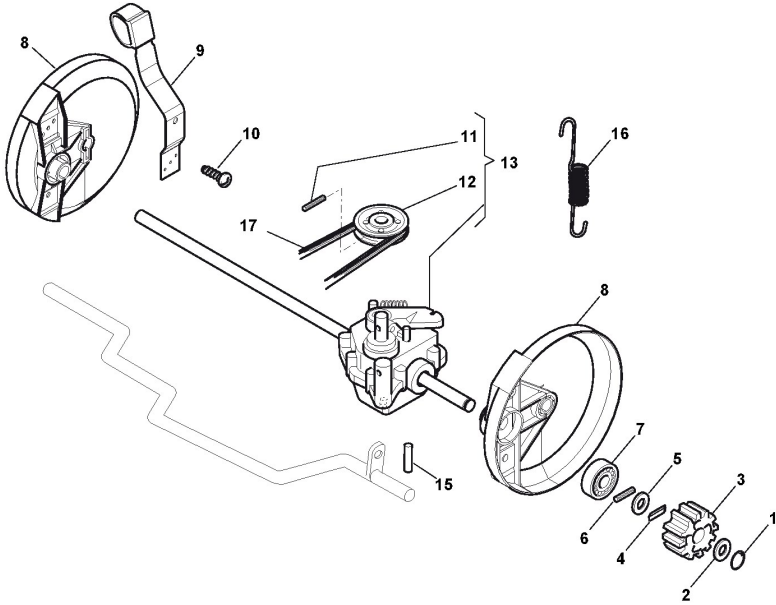
Handle, Lower Part

| Ref.nr. | Antal | Komponentkode | Beskrivelse | Noter | From | Op til |
|---------|-------|---------------|---------------------------|------------------------|------|--------|
| 1 | 4 | 112760605/0 | Screw | | | |
| 2 | 4 | 112521350/0 | Washer | | | |
| 3 | 1 | 381007544/0 | Handle, Lower Part Yellow | Yellow | | |
| 4 | 1 | 112819120/0 | Screw | To 31-August-2017 | | |
| 4 | 1 | 112819121/0 | Screw | From 01-September-2017 | | |
| 5 | 2 | 122671651/0 | Washer | | | |
| 6 | 2 | 122399900/0 | Knob | Black | | |
| 7 | 2 | 112293200/0 | Nut | | | |
| 8 | 1 | 381008696/0 | Outfit, Screws | | | |



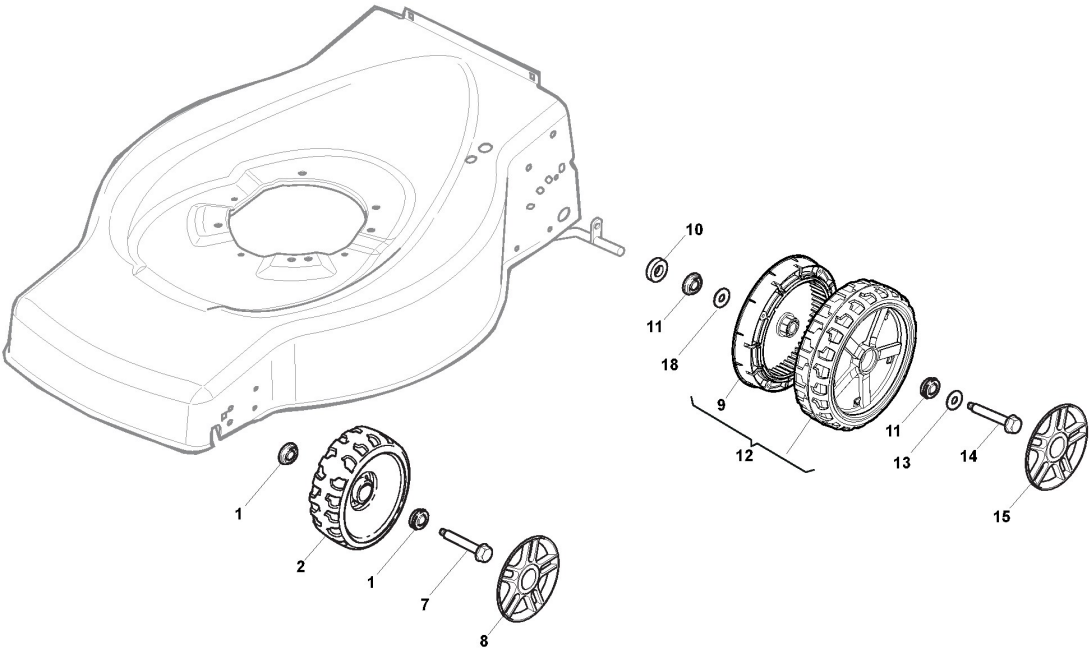
Handle, Upper Part

| Ref.nr. | Antal | Komponentkode | Beskrivelse | Noter | From | Op til |
|---------|-------|---------------|----------------------------|---|------|--------|
| 1 | 1 | 381006753/0 | Handle, Upper Part Yellow | Yellow without Sponge;From 01-September-2013 To 31-August-2017 | | |
| 1 | 1 | 381006753/1 | Handle, Upper Part Yellow | Yellow without Sponge;From 01-september-2017 | | |
| 2 | 1 | 122430313/0 | Guide Spring | | | |
| 3 | 1 | 112521330/0 | Washer | | | |
| 4 | 1 | 112154510/0 | Nut | | | |
| 5 | 1 | 118390020/0 | Conduit Clip | | | |
| 6 | 1 | 181003363/0 | Lever, Engine Brake Black | Black;To 31-August-2011 | | |
| 6 | 1 | 181003363/1 | Lever, Engine Brake Black | Black;From 01-september-2011 | | |
| 7 | 1 | 181030054/0 | Cable, Thread Engine Brake | | | |
| 7 | 1 | 181030087/0 | Cable, Thread Engine Brake | | | |
| 8 | 1 | 112727783/0 | Screw | | | |
| 9 | 1 | 112154510/0 | Nut | | | |
| 10 | 1 | 181003364/0 | Drive Control Lever | Black | | |
| 11 | 1 | 381030082/0 | Cable Rear Drive | | | |
| 12 | 1 | 322551640/0 | Plate | | | |



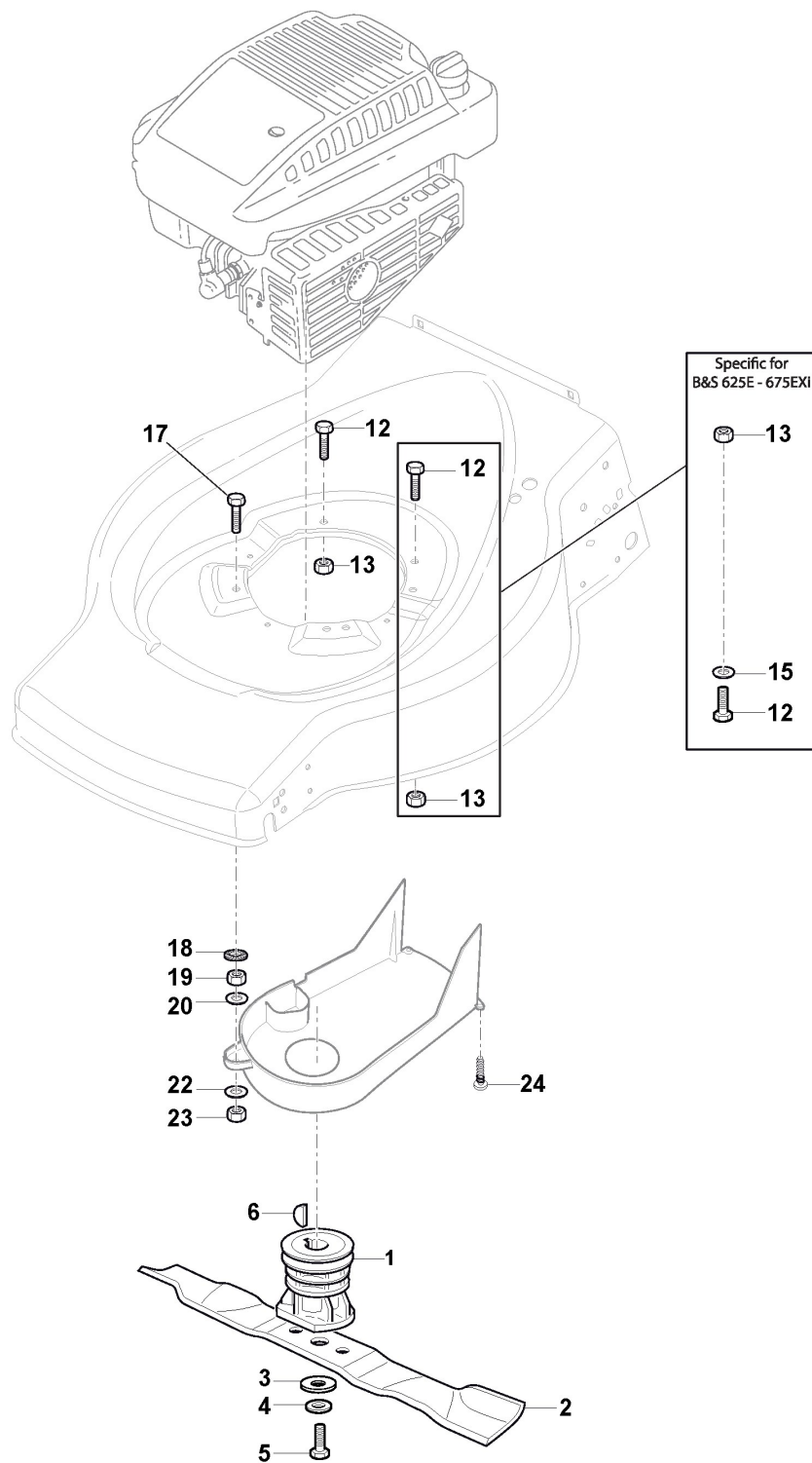
Transmission

| Ref.nr. | Antal | Komponentkode | Beskrivelse | Noter | From | Op til |
|---------|-------|---------------|--------------------------|--|------|--------|
| 1 | 2 | 112608520/0 | Seeger | | | |
| 2 | 2 | 322160520/0 | Dust Cover Disc | | | |
| 3 | 2 | 122570125/0 | Pinion | | | |
| 4 | 2 | 122076645/0 | Key | | | |
| 5 | 2 | 322160520/0 | Dust Cover Disc | | | |
| 6 | 2 | 112622620/0 | Pin | | | |
| 7 | 2 | 122122202/0 | Bearing | | | |
| 8 | 2 | 322600106/1 | Protection, Wheel | | | |
| 9 | 1 | 381003303/0 | Lever, Height Adjustment | | | |
| 10 | 2 | 112728689/0 | Screw | | | |
| 11 | 1 | 112713801/0 | Dowel | | | |
| 12 | 1 | 122601909/0 | Pulley | | | |
| 13 | 1 | 181003078/0 | Gear Box F.R. | To 31-August-2006 | | |
| 13 | 1 | 181003093/1 | Gear Box | From 01-September-2008 | | |
| 13 | 1 | 81003093/0 | Gear Box | From 01-September-2006 To 31-August-2008 | | |
| 15 | 2 | 122753001/0 | Pin | | | |
| 16 | 1 | 122450432/0 | Spring | To 31-August-2007 | | |
| 16 | 1 | 122450438/0 | Spring | From 01-September-2007 | | |
| 17 | 1 | 135063170/0 | Trapezoidal Belt | From 01-September-2006 To 31-August-2007 | | |
| 17 | 1 | 135063750/0 | Belt | From 01-September-2007 | | |



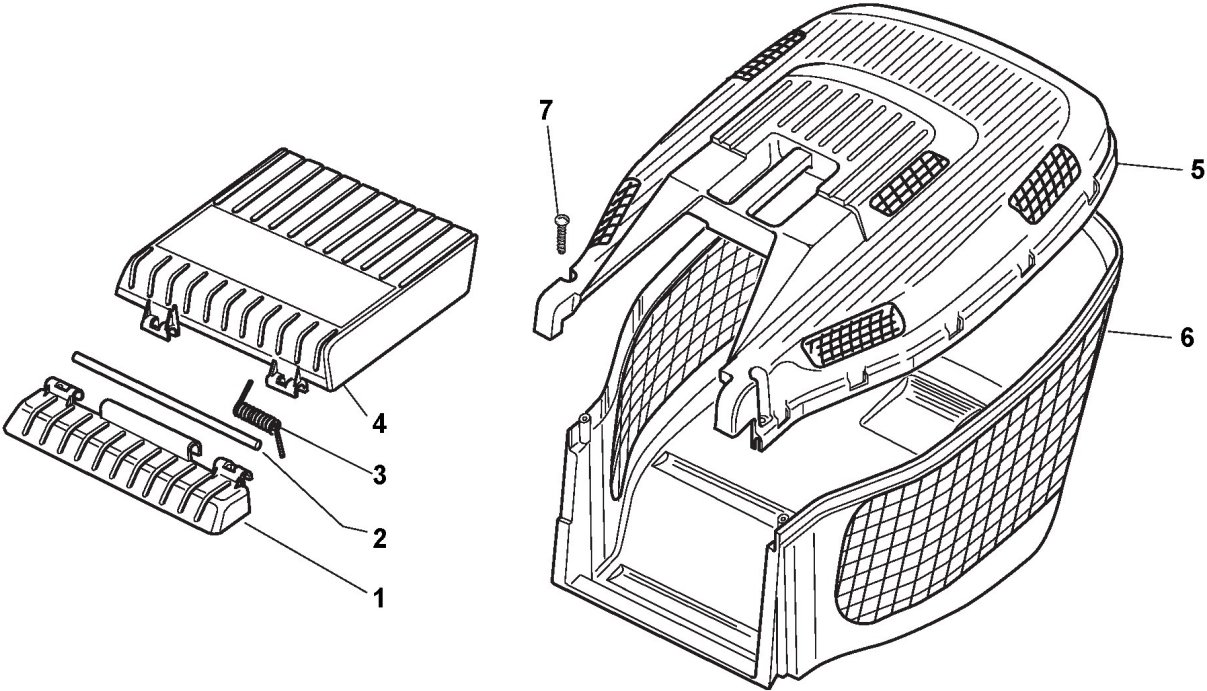
Wheels and Hub Caps

| Ref.nr. | Antal | Komponentkode | Beskrivelse | Noter | From | Op til |
|---------|-------|---------------|--------------|---|------|--------|
| 1 | 4 | 122122200/0 | Bearing | | | |
| 2 | 2 | 322686091/1 | Wheel | From 01-September-2006 | | |
| 2 | 2 | 381007346/0 | Wheel | To 31-August-2006 | | |
| 7 | 2 | 122524321/0 | Pin | To 31-August-2006 | | |
| 7 | 2 | 122524341/0 | Pin | From 01-September-2006 | | |
| 8 | 2 | 322110491/0 | Hub Cap Grey | Grey | | |
| 9 | 2 | 322120109/0 | Wheels Crown | | | |
| 10 | 2 | 112521370/0 | Washer | To 31-August-2006 | | |
| 10 | 2 | 322170622/0 | Spacer | From 01-September-2006 | | |
| 11 | 4 | 122122200/0 | Bearing | | | |
| 12 | 2 | 322686093/0 | Wheel | From 01-September-2006 To 31-August-2016 | | |
| 12 | 2 | 381007355/0 | Wheel | To 31-August-2006 | | |
| 12 | 2 | 381007468/0 | Wheel Ø 190 | From 01-September-2016 | | |
| 13 | 2 | 112523050/0 | Washer | | | |
| 14 | 2 | 112735599/0 | Screw | | | |
| 15 | 2 | 322110492/0 | Hub Cap Grey | Grey | | |
| 18 | 4 | 122675100/0 | Washer | | | |



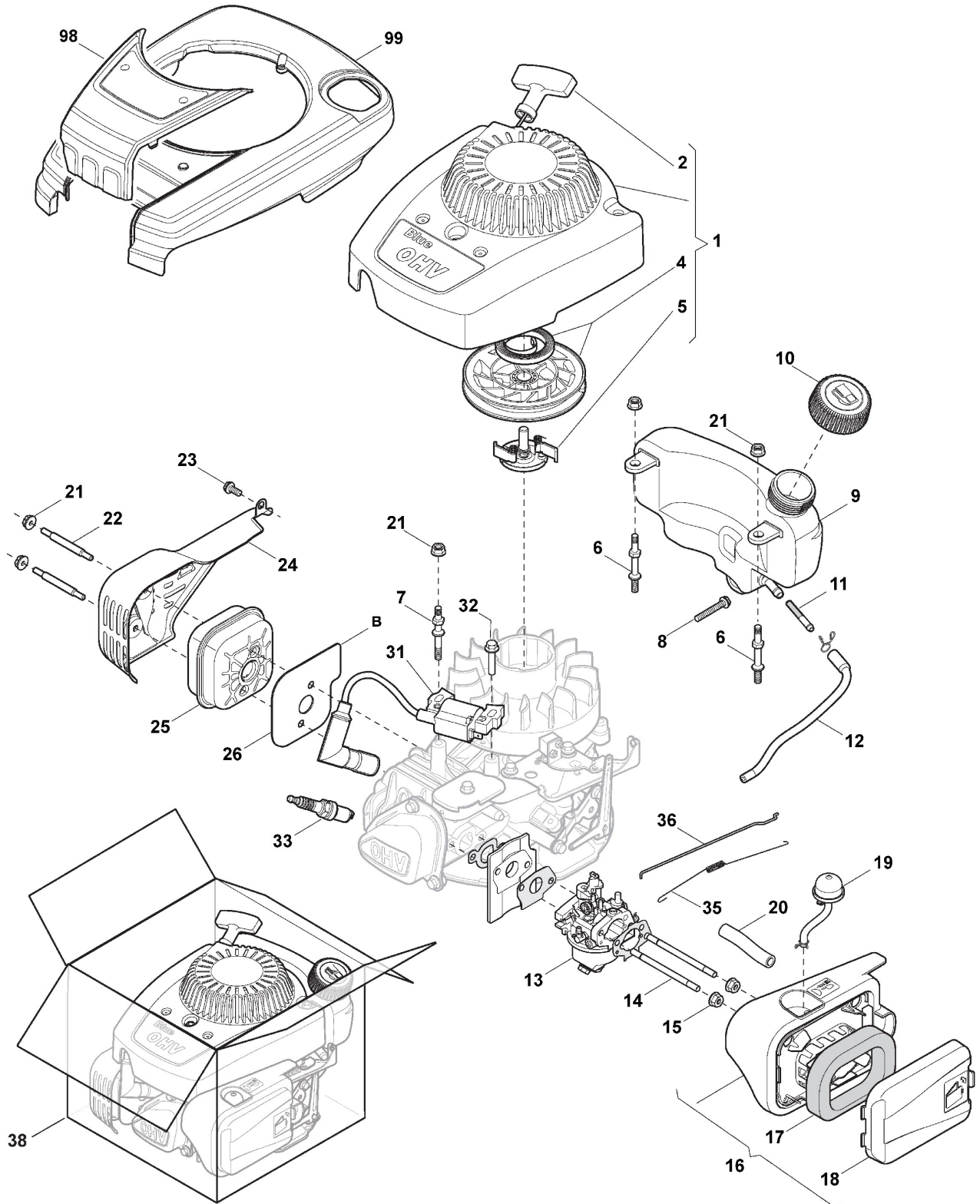
Blade

| Ref.nr. | Antal | Komponentkode | Beskrivelse | Noter | From | Op til |
|---------|-------|---------------|---------------------|-----------------|------|--------|
| 1 | 1 | 1111-9120-01 | Blade Holder | with STIGA pack | | |
| 2 | 1 | 1111-9143-01 | Blade | with STIGA pack | | |
| 3 | 1 | 122160400/0 | Elastic Disc | | | |
| 4 | 1 | 112523080/0 | Washer | | | |
| 5 | 1 | 112735698/0 | Screw | | | |
| 6 | 1 | 112139100/0 | Key | | | |
| 12 | 2 | 112691100/0 | Screw | | | |
| 13 | 3 | 112154210/0 | Nut | | | |
| 15 | 1 | 112521350/0 | Washer | | | |
| 17 | 1 | 112691100/0 | Screw | | | |
| 18 | 1 | 112543002/0 | Washer | | | |
| 19 | 1 | 112293200/0 | Nut | | | |
| 20 | 1 | 122671651/0 | Washer | | | |
| 22 | 1 | 325670011/0 | Antifriction Washer | | | |
| 23 | 1 | 112155000/0 | Nut | | | |
| 24 | 2 | 112728686/0 | Screw | | | |



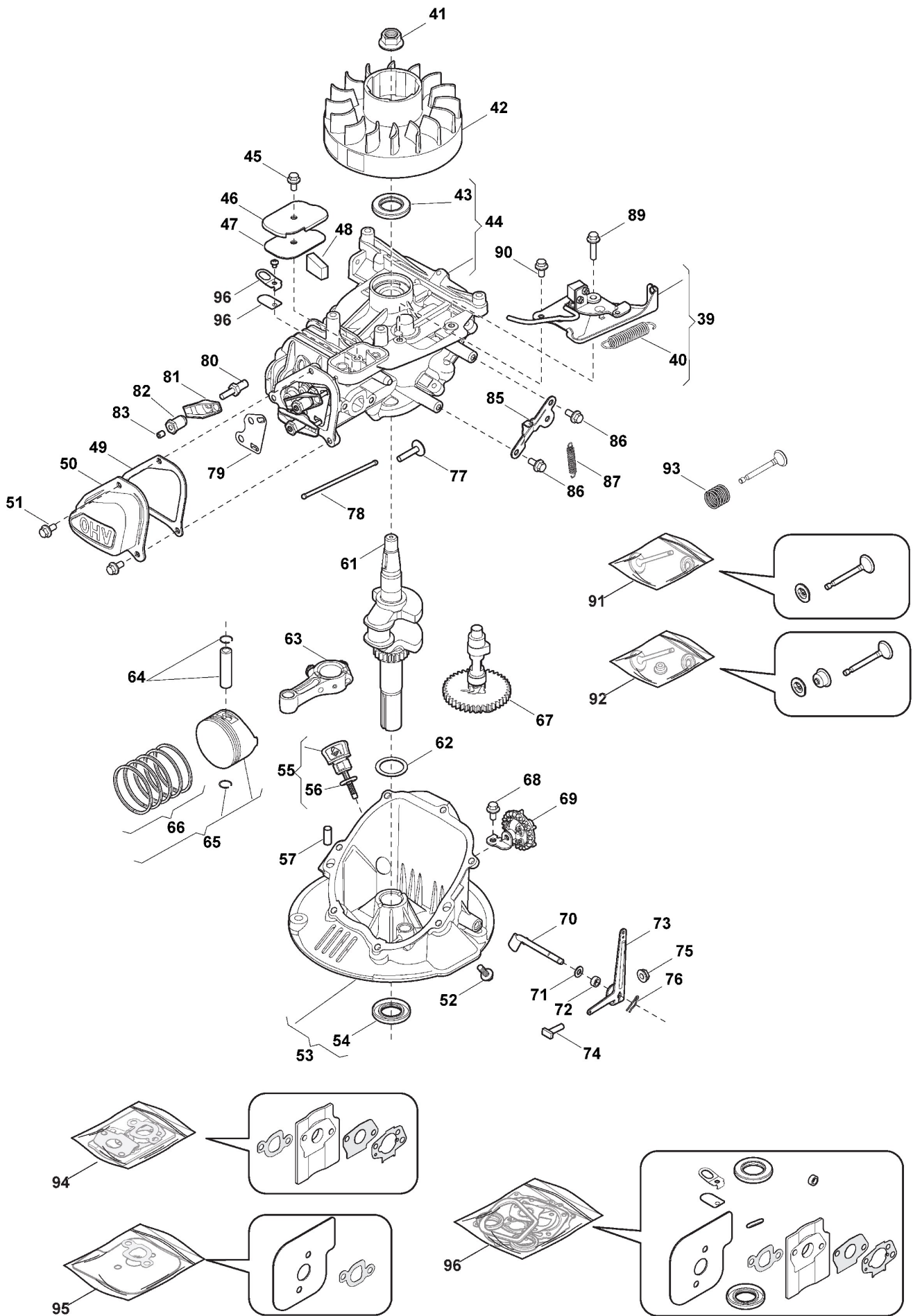
Grass-Catcher

| Ref.nr. | Antal | Komponentkode | Beskrivelse | Noter | From | Op til |
|---------|-------|---------------|-------------------------------|-------------------------------|------|--------|
| 1 | 1 | 322785140/0 | Stone Guard Support Yellow | Yellow;To 31-August-2007 | | |
| 1 | 1 | 322785140/1 | Stone Guard Support Yellow | Yellow;From 01-september-2007 | | |
| 2 | 1 | 122517858/0 | Pin | | | |
| 3 | 1 | 122450431/0 | Spring | | | |
| 4 | 1 | 322600100/2 | Stone-Guard | Yellow | | |
| 5 | 1 | 322486122/0 | Grasscatcher Upper Part Black | Black | | |
| 5 | 1 | 322486400/0 | Stone Guard Support | Stiga Grey | | |
| 6 | 1 | 322486128/0 | Grassbox Lower Part | Black | | |
| 6 | 1 | 322486401/0 | Grassbox Lower Part | Stiga Grey | | |
| 7 | 2 | 112728686/0 | Screw | | | |



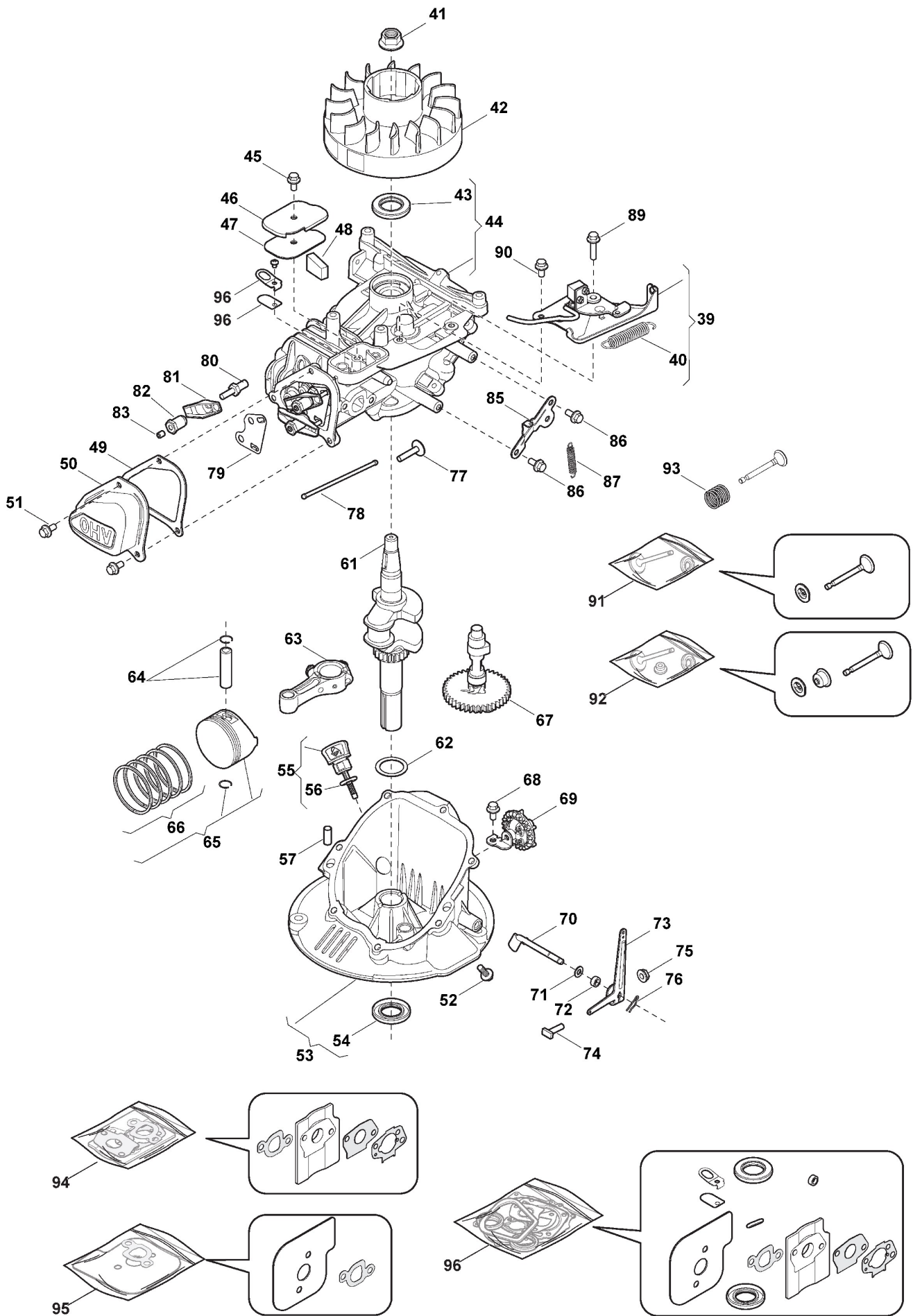
Engine - Carburettor, Tank

| Ref.nr. | Antal | Komponentkode | Beskrivelse | Noter | From | Op til |
|---------|-------|---------------|-------------------------------|-------------------------------------|------|--------|
| 1 | 1 | 118550693/0 | Starter Assy Cover | | | |
| 2 | 1 | 118550694/0 | Starter Handle | | | |
| 4 | 1 | 118550695/0 | Starter Pulley | | | |
| 5 | 1 | 118550696/0 | Starter Pawl Set | | | |
| 6 | 2 | 118550713/0 | Screw | | | |
| 7 | 1 | 118550714/0 | Screw | | | |
| 8 | 1 | 112689515/0 | Screw | | | |
| 9 | 1 | 118550712/0 | Fuel Tank | | | |
| 10 | 1 | 118550711/0 | Fuel Cap | | | |
| 11 | 1 | 118550715/0 | Fuel Filter | | | |
| 12 | 1 | 118550716/0 | Fuel Pipe | | | |
| 13 | 1 | 118550697/0 | Carburetor | | | |
| 14 | 2 | 118550706/0 | Screw | | | |
| 15 | 2 | 112292102/0 | Nut | | | |
| 16 | 1 | 118550702/0 | Air Cleaner Assy | | | |
| 17 | 1 | 118550704/0 | Air Filter | | | |
| 18 | 1 | 118550703/0 | Air Cleaner Cover | | | |
| 19 | 1 | 118550698/0 | Air Purge Pump | | | |
| 20 | 1 | 118550705/0 | Breather Fule Pipe | | | |
| 21 | 3 | 112292102/0 | Nut | | | |
| 21 | 2 | 112292102/0 | Nut | | | |
| 22 | 2 | 118550710/0 | Screw | | | |
| 23 | 1 | 112735699/0 | Screw | | | |
| 24 | 1 | 118550709/0 | Muffler Guard | | | |
| 25 | 1 | 118550708/0 | Muffler | | | |
| 26 | 1 | 118550707/0 | Muffler Gasket | | | |
| 31 | 1 | 118550719/0 | Electronic Coil | | | |
| 32 | 1 | 112792099/0 | Screw | | | |
| 33 | 1 | 118550658/0 | Spark Plug | | | |
| 35 | 1 | 118550720/0 | Spring | | | |
| 36 | 1 | 118550721/0 | Governor Link | | | |
| 38 | 1 | 118550732/0 | Engine Assembled | | | |
| 98 | 1 | 322055521/0 | Cover | additional parts not for all models | | |
| 99 | 1 | 322055518/0 | Hood, Yellow | additional parts not for all models | | |
| 99 | 1 | 381002079/0 | Black Cover Assy (pos. 98+99) | additional parts not for all models | | |



Engine - Piston, Crankshaft

| Ref.nr. | Antal | Komponentkode | Beskrivelse | Noter | From | Op til |
|---------|-------|---------------|-----------------------|-------|------|--------|
| 39 | 1 | 118550728/0 | Brake assy | | | |
| 40 | 1 | 118550727/0 | Spring | | | |
| 41 | 1 | 118550717/0 | Nut | | | |
| 42 | 1 | 118550718/0 | Flywheel Ass.Y | | | |
| 43 | 1 | 118550661/0 | Oil Seal | | | |
| 44 | 1 | 118550729/0 | Cylinder Head Assy | | | |
| 45 | 1 | 112735699/0 | Screw | | | |
| 46 | 1 | 118550659/0 | Cover | | | |
| 47 | 1 | 118550733/0 | Gasket, Breath Groove | | | |
| 48 | 1 | 118550660/0 | Oil Filter | | | |
| 49 | 1 | 118550680/0 | Gasket | | | |
| 50 | 1 | 118550681/0 | Cover Comp., Head | | | |
| 51 | 3 | 112735699/0 | Screw | | | |
| 52 | 7 | 112791500/0 | Screw | | | |
| 53 | 1 | 118550672/0 | Crankase Cover Assy | | | |
| 54 | 1 | 118550668/0 | Oil Seal | | | |
| 55 | 1 | 118550669/0 | Tank Cap | | | |
| 56 | 1 | 118550670/0 | Or Ring | | | |
| 57 | 2 | 118550664/0 | Pin | | | |
| 61 | 1 | 118550674/0 | Crankshaft | | | |
| 62 | 1 | 118550673/0 | Washer | | | |
| 63 | 1 | 118550675/0 | Connecting Rod Assy | | | |
| 64 | 1 | 118550678/0 | Circlip + Piston Pin | | | |
| 65 | 1 | 118550677/0 | Piston Assy | | | |
| 66 | 1 | 118550679/0 | Piston, Ring Set | | | |
| 67 | 1 | 118550682/0 | Camshaft assy | | | |
| 68 | 1 | 112735699/0 | Screw | | | |
| 69 | 1 | 118550662/0 | Speed Governor Assy | | | |
| 70 | 1 | 118550665/0 | Shaft, Governor Arm | | | |
| 71 | 1 | 118550666/0 | Washer | | | |
| 72 | 1 | 118550671/0 | Gasket | | | |
| 73 | 1 | 118550723/0 | Support Governor | | | |
| 74 | 1 | 118550726/0 | Screw | | | |
| 75 | 1 | 118550722/0 | Nut | | | |
| 76 | 1 | 118550667/0 | Cotter Pin | | | |
| 77 | 2 | 118550683/0 | Valve Lifter | | | |
| 78 | 2 | 118550684/0 | Push Rods | | | |
| 79 | 1 | 118550685/0 | Plate | | | |
| 80 | 2 | 118550686/0 | Screw | | | |
| 81 | 2 | 118550687/0 | Valve Arm | | | |
| 82 | 2 | 118550688/0 | Nut | | | |
| 83 | 2 | 118550689/0 | Nut | | | |
| 85 | 1 | 118550724/0 | Plate | | | |
| 86 | 2 | 112735699/0 | Screw | | | |
| 87 | 1 | 118550725/0 | Spring | | | |
| 89 | 1 | 112791500/0 | Screw | | | |
| 90 | 1 | 112735699/0 | Screw | | | |
| 91 | 2 | 118550692/0 | Exhaust Valve Assy | | | |



Engine - Piston, Crankshaft

| Ref.nr. | Antal | Komponentkode | Beskrivelse | Noter | From | Op til |
|---------|-------|---------------|--------------------------|-------|------|--------|
| 92 | 2 | 118550691/0 | Intake Valve Assy | | | |
| 93 | 2 | 118550690/0 | Spring | | | |
| 94 | 1 | 118550699/0 | Carburettor Gasket Set | | | |
| 95 | 1 | 118550731/0 | Cylinder Head Gasket Set | | | |
| 96 | 1 | 118550730/0 | Engine Gasket Set | | | |