

STIGA

COLLECTOR 43 (2014)

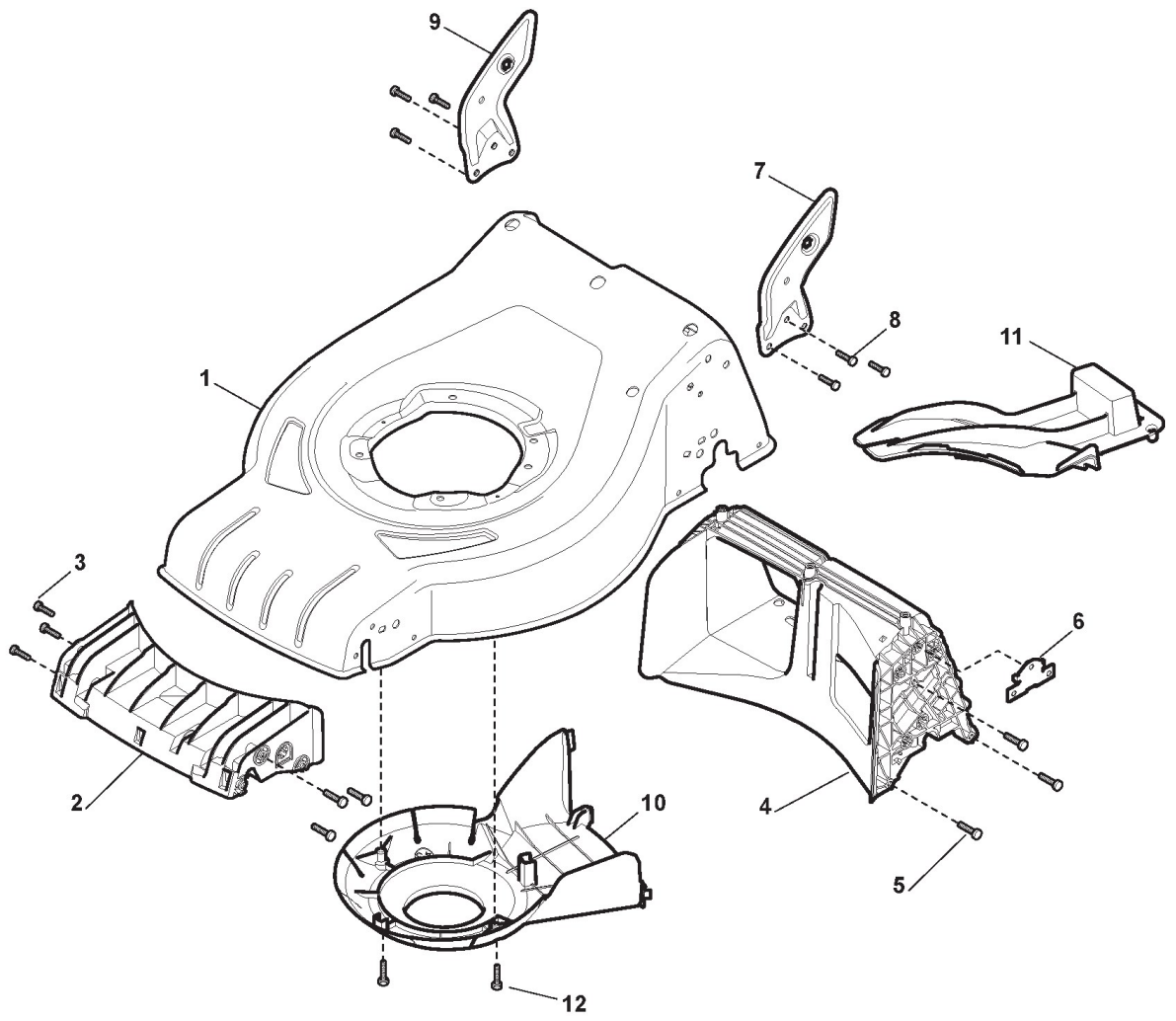
295431048/S14

Spare parts list
Reservdelar
Repuestos
Ersatzteile
Pièces détachées
Reserve onderdelen
Catalogo ricambi



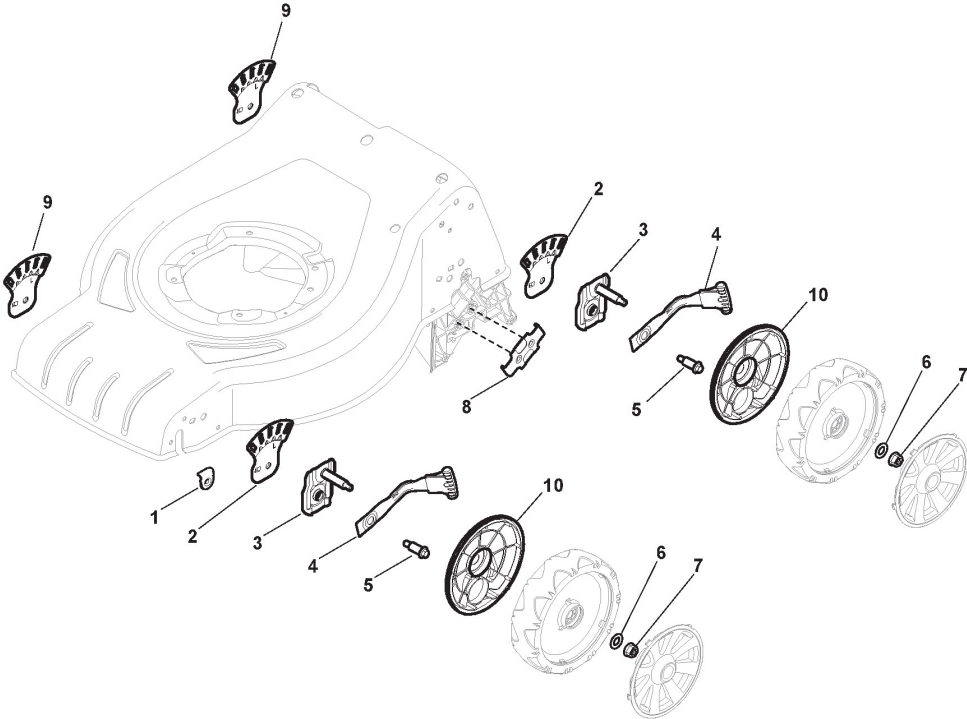
- Use ST. S.p.A. Genuine Spare Parts specified in the parts list for repair and/or replacement.
- The contents described in the parts list may change due to improvement.
- The drawings of the spare parts are only indicative And might Not represent the part in question exactly.
- The indications "right" - "left" - "front" - "rear" refer to the position of the operator when using the machine.
- When placing orders of parts for repair And/Or replacement, make sure that the illustrated parts list Is the one applying to the machine's year of manufacture, as shown on the identification plate attached to the machine.

All rights reserved. No part Of this material may be reproduced Or transmitted, in any form Or by any means, electronic Or mechanical, including photocopying, recording Or by any information storage And retrieval system, without permission in writing from ST. S.p.A.



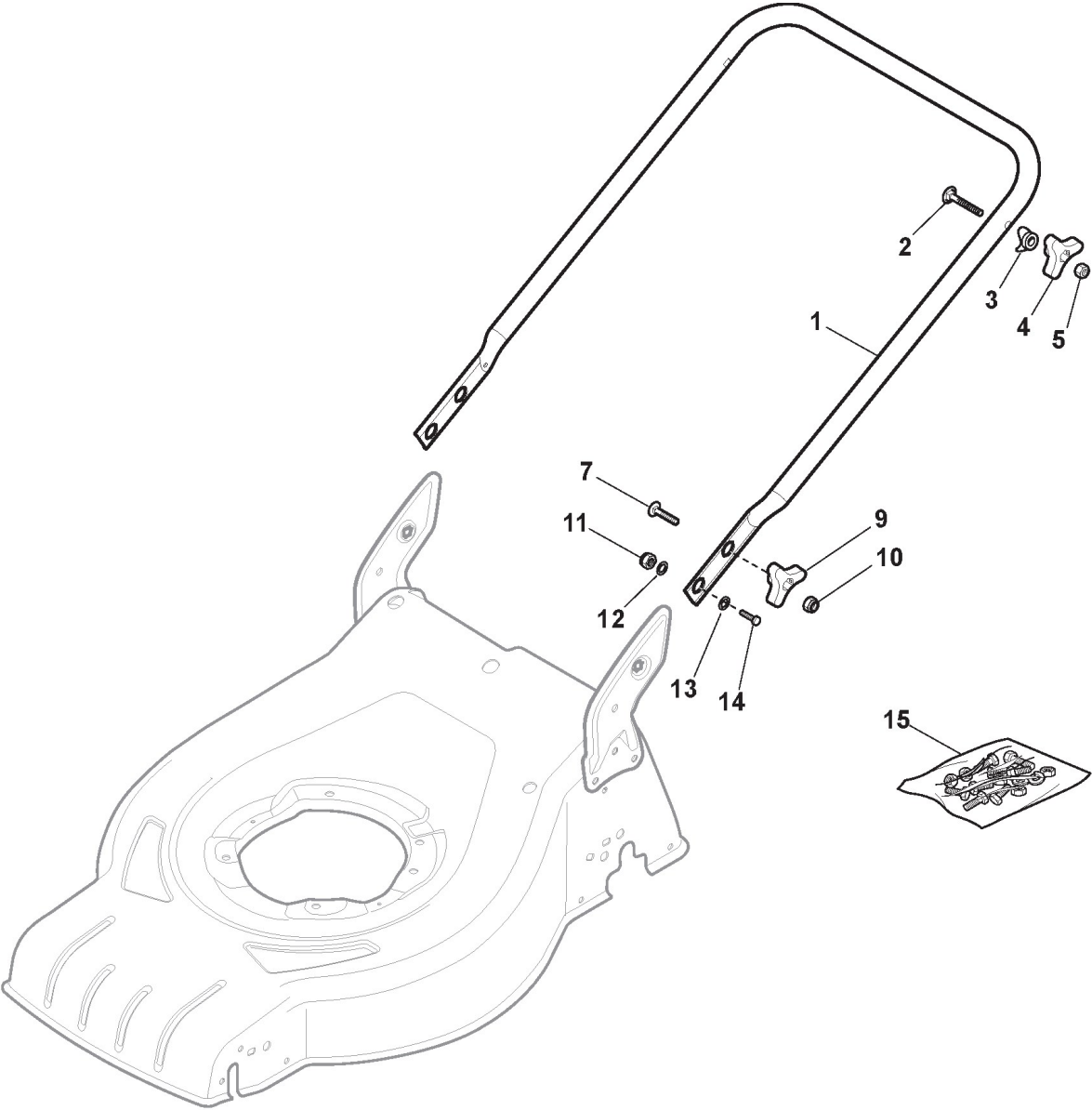
Deck

Ref.nr.	Antal	Komponentkode	Beskrivelse	Noter	From	Op til
1	1	381004728/0	Grey Deck			
2	1	322108300/0	Front Conveyor Assy	To 31-august-2014		
2	1	322108300/1	Front Conveyor Assy	From 01-september-2014		
3	6	112728699/0	Screw			
4	1	322108302/0	Rear Conveyor Assy			
5	6	112728699/0	Screw			
6	2	322545213/0	Plate			
7	1	381005139/0	Left Bracket			
8	6	112727801/0	Screw			
9	1	381005137/0	Right Bracket			
10	1	322060241/0	Belt Protection			
11	1	322140240/0	Mulching Deflector			
12	2	112728530/0	Screw			



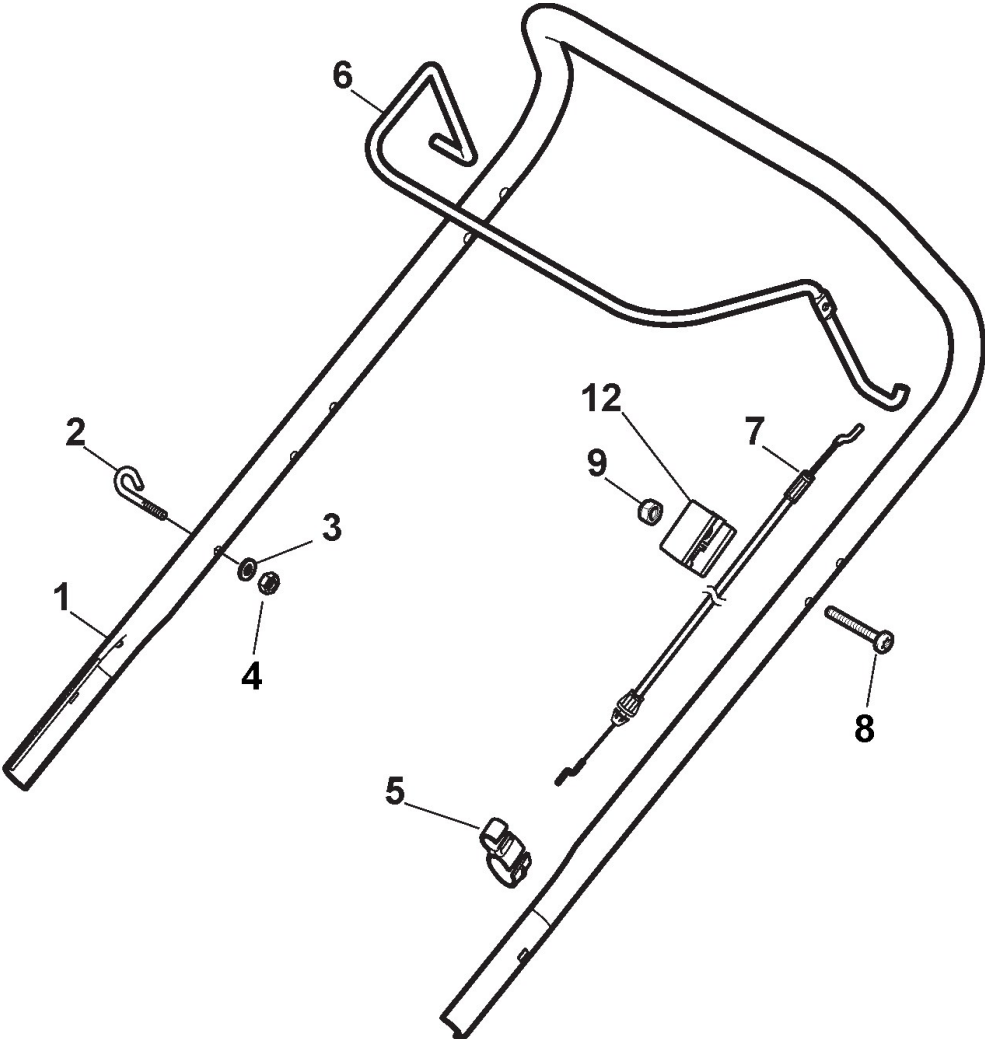
Height Adjusting

Ref.nr.	Antal	Komponentkode	Beskrivelse	Noter	From	Op til
1	2	322545189/0	Plate			
2	2	322735597/0	Sector, Height Adjustment Left	To 31-august-2011		
2	2	322735597/1	Sector, Height Adjustment	From 01-september-2011		
3	4	381005141/0	Wheel Support	To 31-august-2016		
3	4	381005159/0	Wheel Support	From 01-september-2016		
4	4	381003354/0	Lever, Height Adjustment			
5	4	122519811/0	Pin			
6	4	112521350/0	Washer			
7	4	112155000/0	Nut			
8	2	322545211/0	Plate			
9	2	322735595/0	Sector, Height Adjustment Right	To 31-august-2011		
9	2	322735595/1	Sector, Height Adjustment	From 01-september-2011		
10	4	322600247/0	Protection, Wheel	Optional		



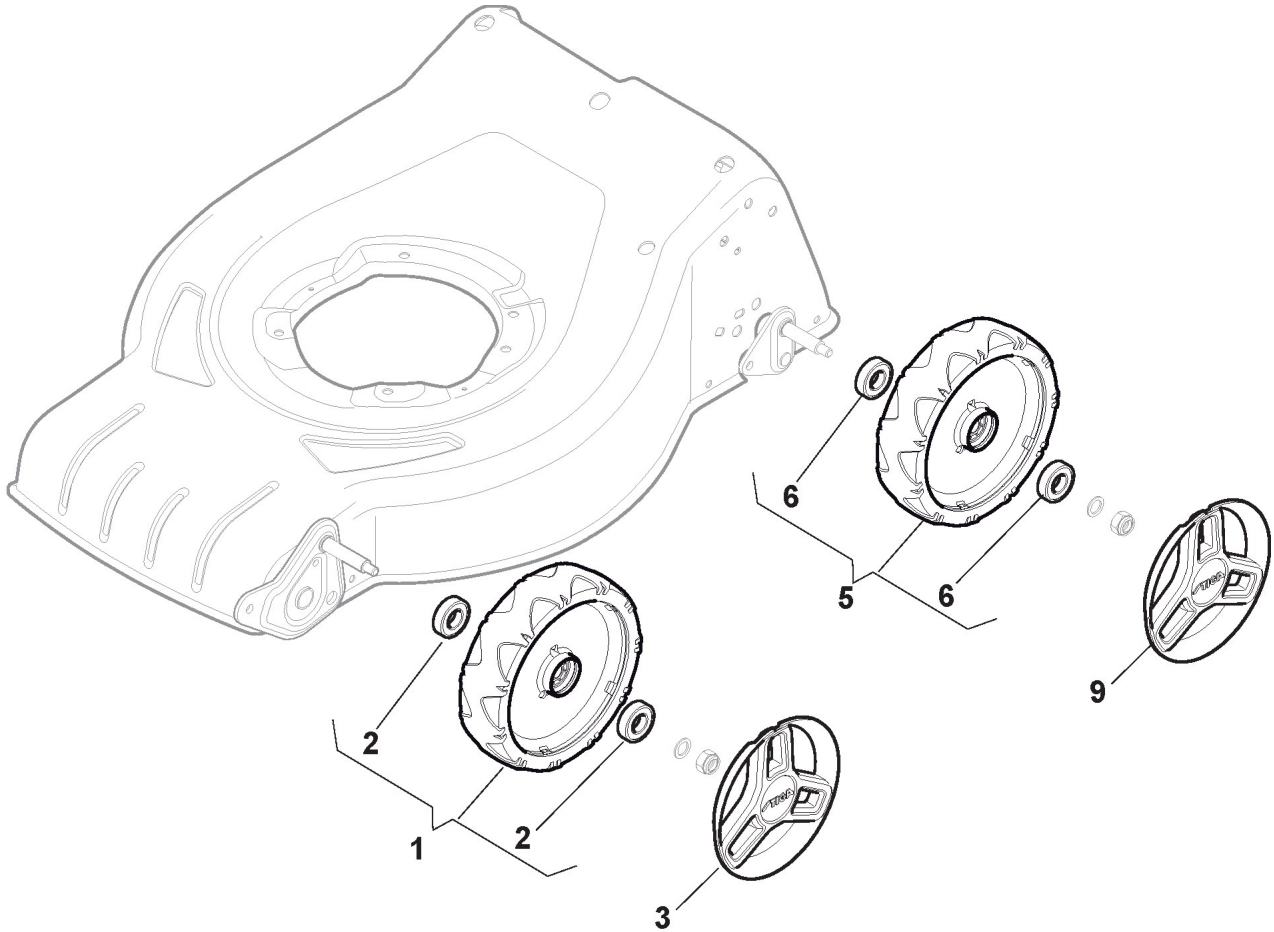
Handle, Lower Part

Ref.nr.	Antal	Komponentkode	Beskrivelse	Noter	From	Op til
1	1	381007537/0	Handle, Lower Part Yellow	Yellow		
2	2	112819110/0	Screw	From 01-september-2011		
2	2	112819120/0	Screw	To 31-august-2011		
3	2	122671651/0	Washer	From 01-september-2011		
3	2	122680006/1	Washer	To 31-august-2011		
4	2	122399900/0	Knob	Black		
5	2	112293200/0	Nut			
7	2	112818900/0	Screw			
9	2	122399900/0	Knob	Black		
10	2	112293200/0	Nut			
11	2	112155000/0	Nut			
12	2	112521350/0	Washer			
13	2	112369500/0	Elastic Washer			
14	2	112760605/0	Screw			
15	1	381008691/0	Outfit, Screws	Black		



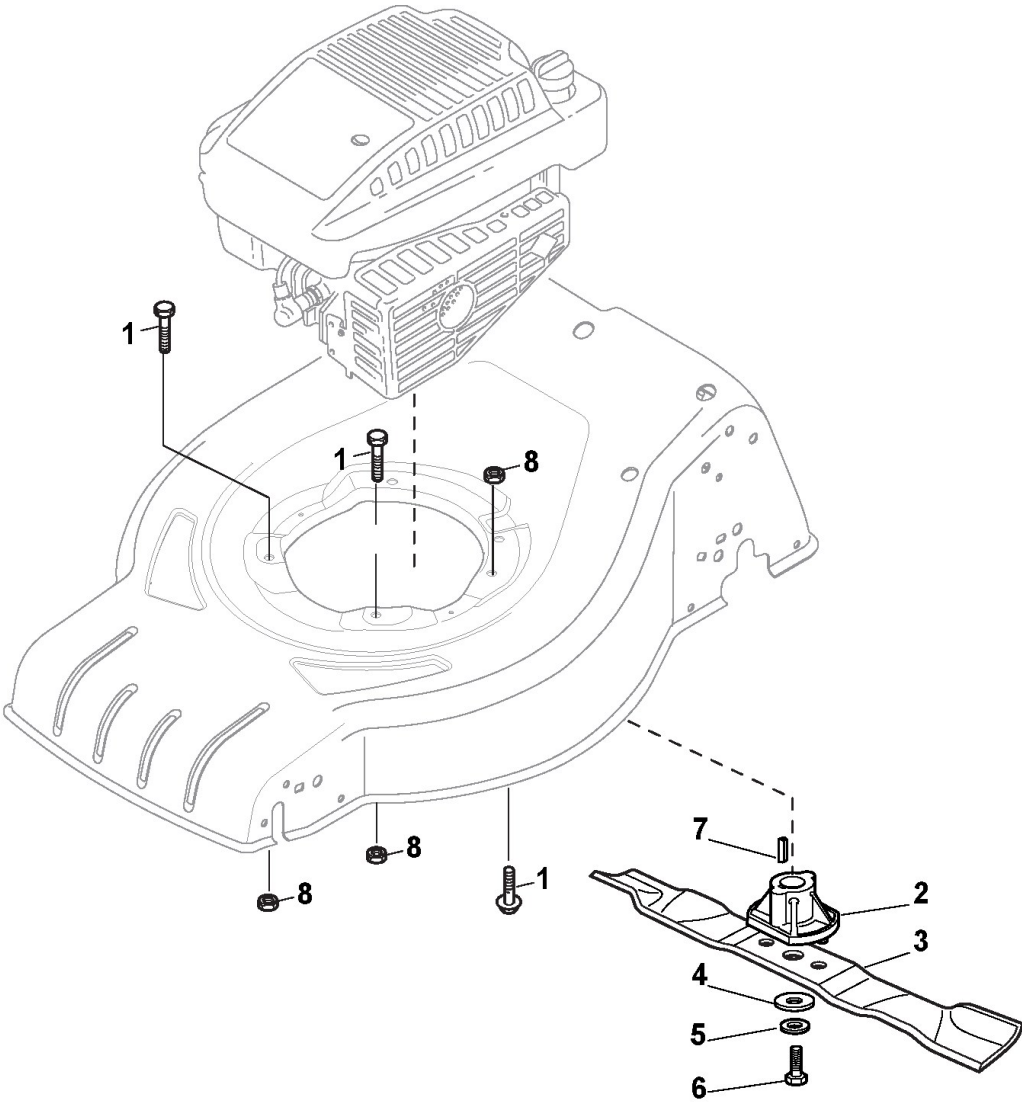
Handle, Upper Part

Ref.nr.	Antal	Komponentkode	Beskrivelse	Noter	From	Op til
1	1	381006753/0	Handle, Upper Part Yellow	Yellow without Sponge;From 01-september-2013 To 31-august-2017		
1	1	381006753/1	Handle, Upper Part Yellow	Yellow without Sponge;From 01-september-2017		
1	1	381006754/0	Handle, Upper Part Yellow	Yellow with Sponge;To 31-august-2017		
1	1	381006754/1	Handle, Upper Part Yellow	Yellow with Sponge;From 01-september-2017		
2	1	122430313/0	Guide Spring			
3	1	112521330/0	Washer			
4	1	112154510/0	Nut			
5	1	118390020/0	Conduit Clip			
6	1	181003363/0	Lever, Engine Brake Black	Black;To 31-august-2010		
6	1	181003363/1	Lever, Engine Brake Black	Black;From 01-september-2010		
7	1	181030056/0	Cable, Thread Engine Brake	ST. Engine		
8	1	112727783/0	Screw			
9	1	112154510/0	Nut			
12	1	322551640/0	Plate			



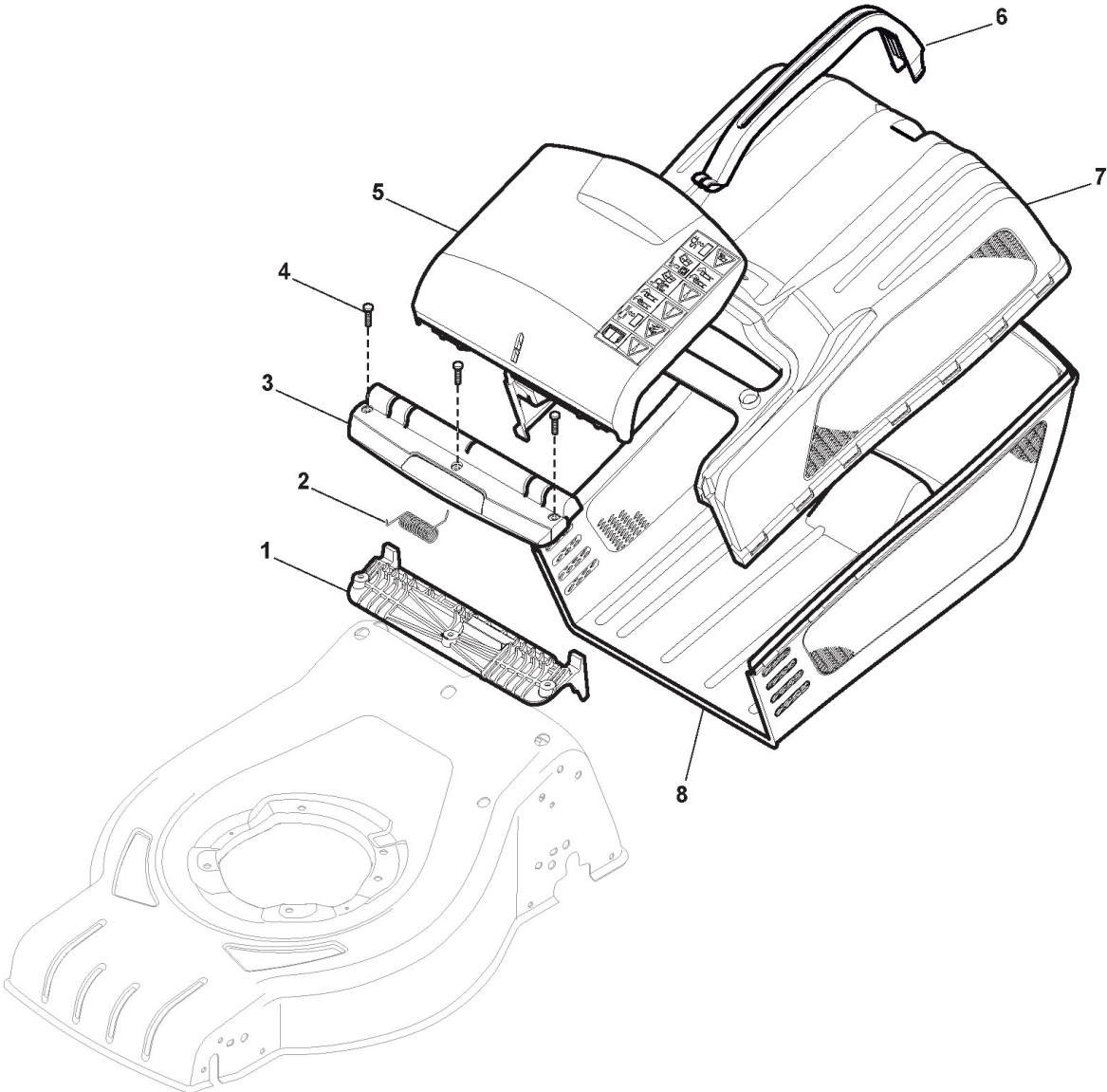
Wheels and Hub Caps

Ref.nr.	Antal	Komponentkode	Beskrivelse	Noter	From	Op til
1	2	381007450/1	Wheel - Long Hub	Long Hub		
1	2	381007455/1	Wheel - Short Hub	Short Hub		
2	4	119216035/0	Bearing			
3	2	322110744/0	Hub Cap Grey			
5	2	381007450/1	Wheel - Long Hub	Long Hub		
5	2	381007455/1	Wheel - Short Hub	Short Hub		
6	4	119216035/0	Bearing			
9	2	322110744/0	Hub Cap Grey			



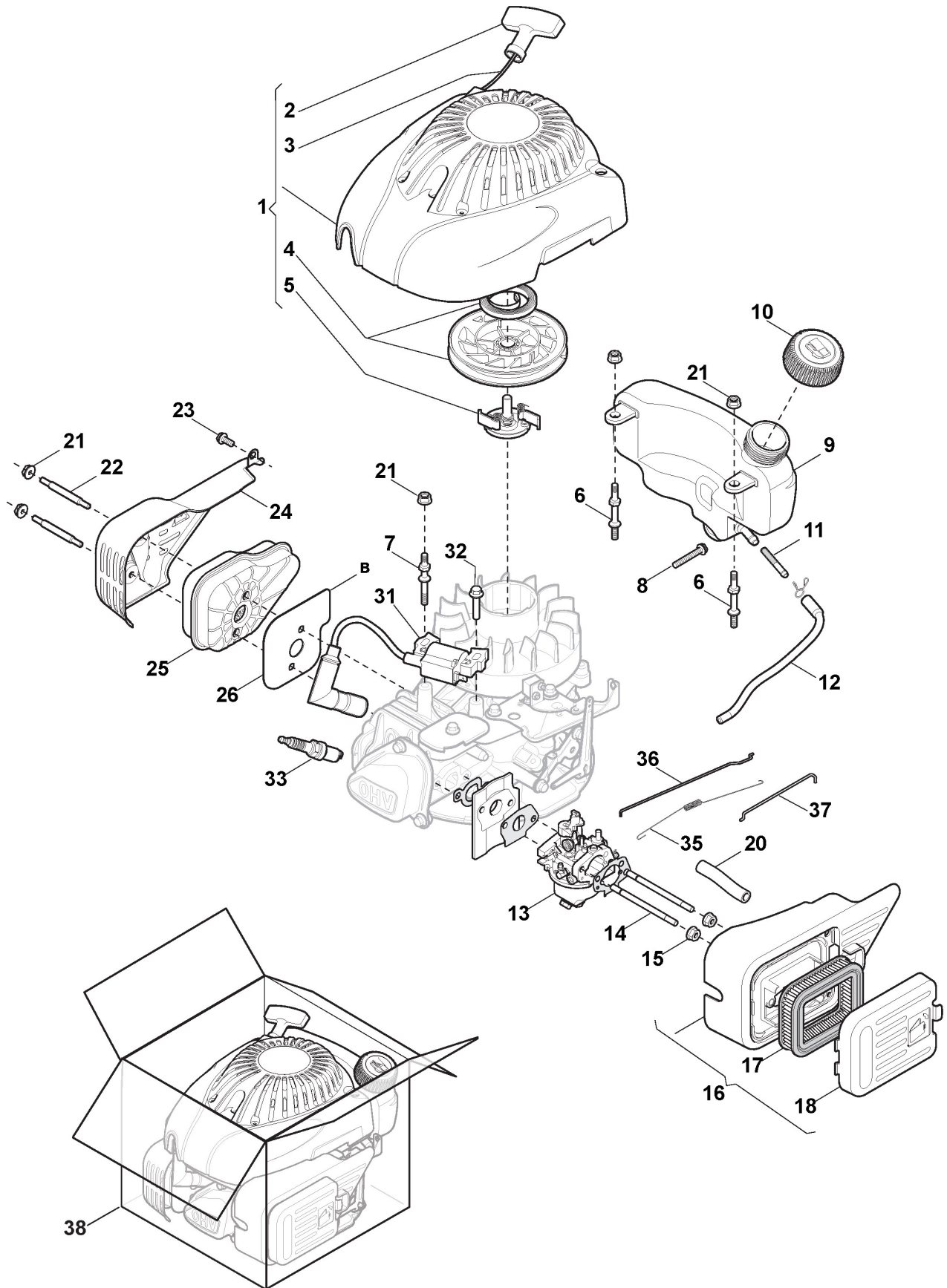
Blade

Ref.nr.	Antal	Komponentkode	Beskrivelse	Noter	From	Op til
1	3	112735109/2	Screw			
2	1	122463012/2	Hub, Crankshaft Ø 22.2			
3	1	181004341/3	Mulching Blade			
4	1	122160400/0	Elastic Disc			
5	1	112523080/0	Washer			
6	1	112735698/0	Screw			
7	1	112139100/0	Key			
8	3	112154210/0	Nut			



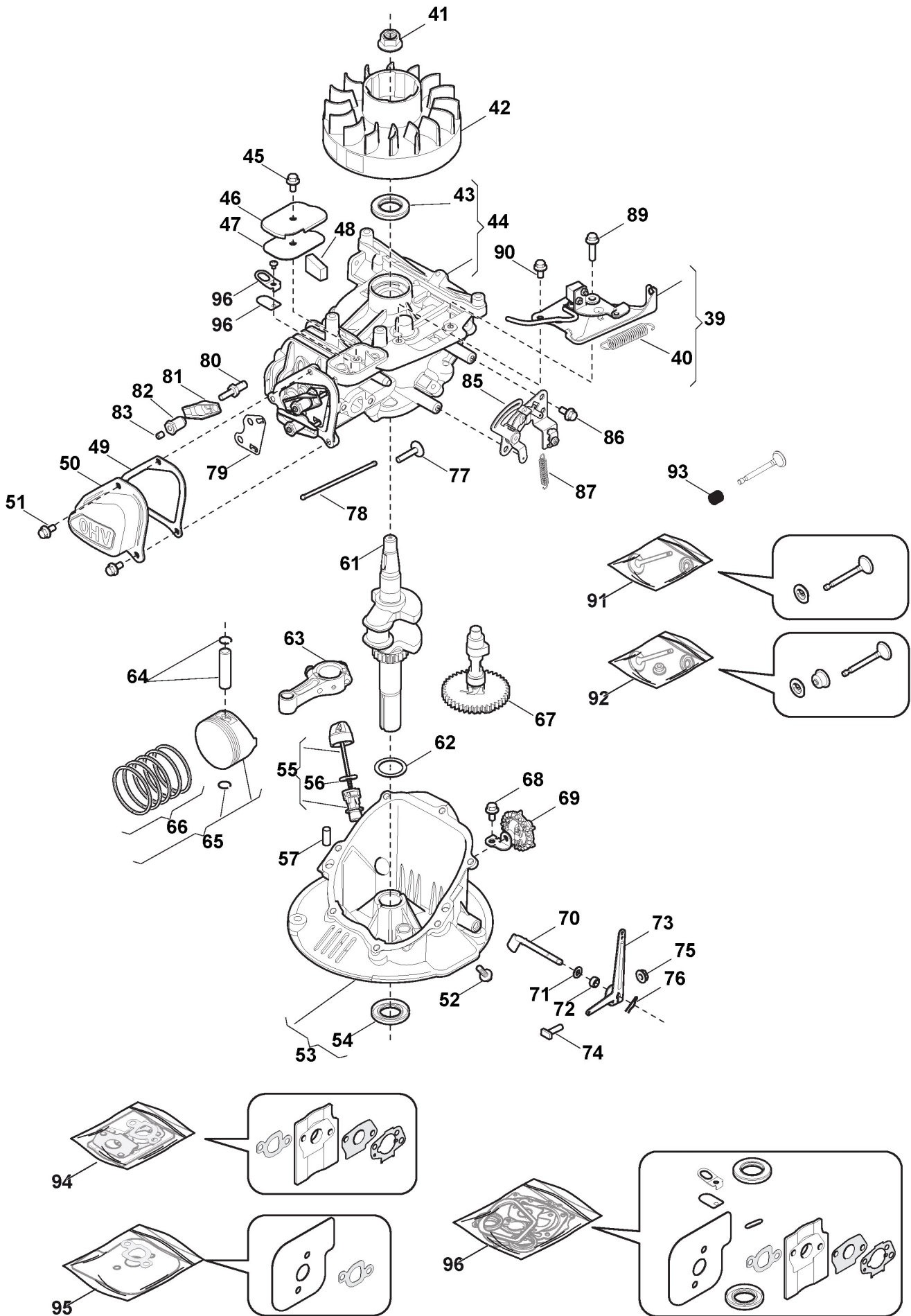
Grass-Catcher

Ref.nr.	Antal	Komponentkode	Beskrivelse	Noter	From	Op til
1	1	322785331/0	Black Stone Guard Support			
2	1	122450464/0	Spring			
3	1	322109556/0	Stone Guard Supp. Cover Yellow	Yellow		
4	3	112728699/0	Screw			
5	1	322600214/0	Stone Guard, Yellow	Yellow;To 31-august-2011		
5	1	322600214/1	Stone Guard, Yellow	Yellow;From 01-september-2011		
6	1	322393716/0	Handle, Grey	Grey NCSS-N		
7	1	322486387/0	Grassbox Upper Part, Grey	Grey NCSS-N		
8	1	322486388/0	Grassbox Lower Part, Grey	Grey NCSS-N		



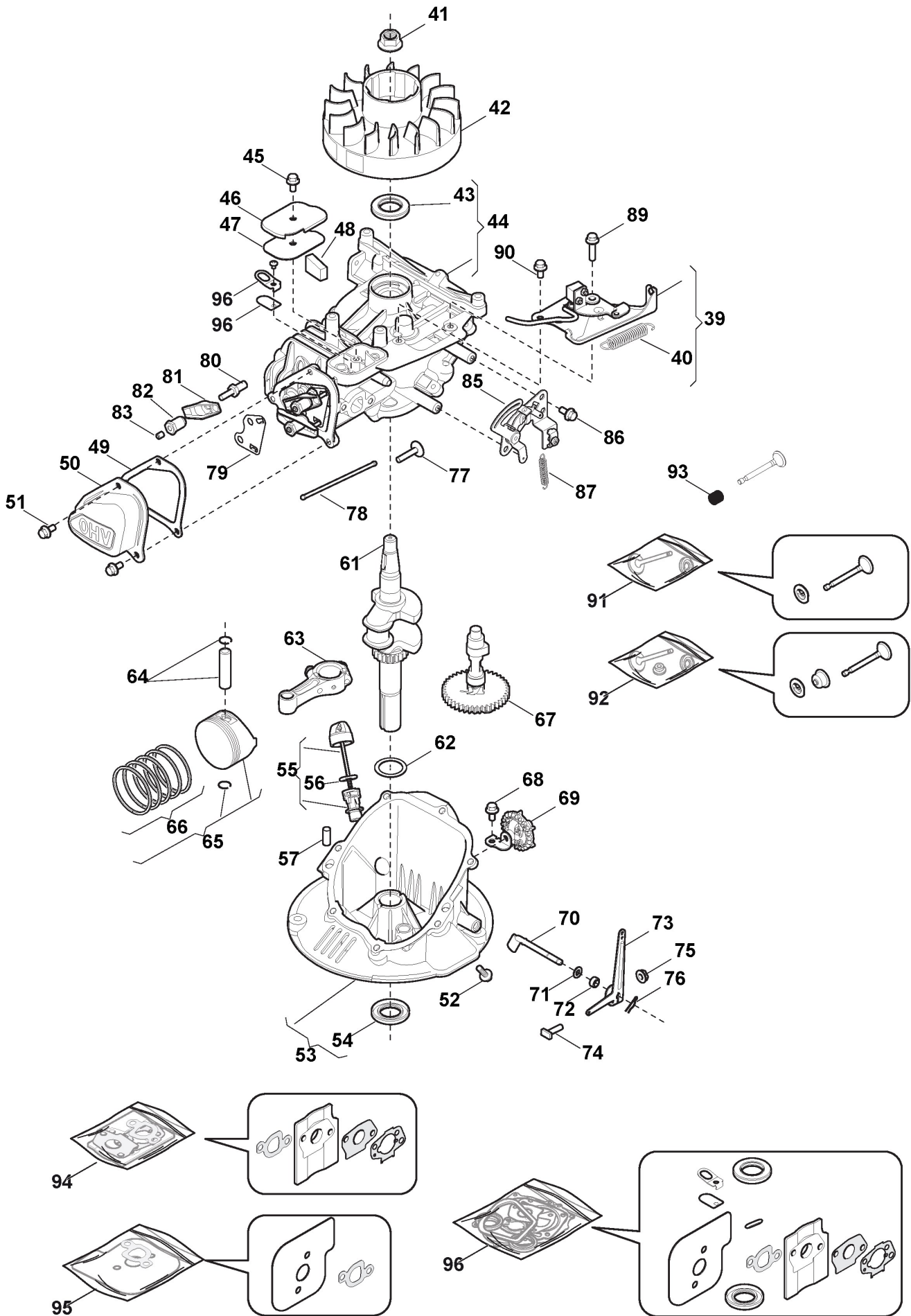
Engine - GGP RSC100

Ref.nr.	Antal	Komponentkode	Beskrivelse	Noter	From	Op til
1	1	118550750/0	Starter Assy			
2	1	118550768/0	Starter Handle			
3	1	118550766/0	Starting Rope			
4	1	118550695/0	Starter Pulley			
5	1	118550696/0	Starter Pawl Set			
6	2	118550713/0	Screw			
7	1	118550714/0	Screw			
8	1	112689515/0	Screw			
9	1	118550712/0	Fuel Tank			
10	1	118550747/0	Fuel Cap			
11	1	118550715/0	Fuel Filter			
12	1	118550716/0	Fuel Pipe			
13	1	118550753/0	Carburetor			
14	2	118550706/0	Screw			
15	2	112292102/0	Nut			
16	1	118550771/0	Air Cleaner Assy			
17	1	118550748/0	Air Filter			
18	1	118550772/0	Air Cleaner Cover			
20	1	118550705/0	Breather Fule Pipe			
21	4	112292102/0	Nut			
22	2	118550710/0	Screw			
23	1	112735699/0	Screw			
24	1	118550709/0	Muffler Guard			
25	1	118550749/0	Muffler			
26	1	118550707/0	Muffler Gasket			
31	1	118550719/0	Electronic Coil			
32	1	112792099/0	Screw			
33	1	118550658/0	Spark Plug			
35	1	118550720/0	Spring			
36	1	118550721/0	Governor Link			
37	1	118550751/0	Spring			
38	1	118550736/0	Engine Assembled			



Engine - GGP RSC100

Ref.nr.	Antal	Komponentkode	Beskrivelse	Noter	From	Op til
39	1	118550728/0	Brake assy			
40	1	118550727/0	Spring			
41	1	118550717/0	Nut			
42	1	118550718/0	Flywheel Ass.Y			
43	1	118550661/0	Oil Seal			
44	1	118550729/0	Cylinder Head Assy			
45	1	112735699/0	Screw			
46	1	118550659/0	Cover			
47	1	118550733/0	Gasket, Breath Groove			
48	1	118550660/0	Oil Filter			
49	1	118550680/0	Gasket			
50	1	118550681/0	Cover Comp., Head			
51	3	112735699/0	Screw			
52	7	112791500/0	Screw			
53	1	118550672/0	Crankase Cover Assy			
54	1	118550668/0	Oil Seal			
55	1	118550745/0	Tank Cap			
56	1	118550670/0	Or Ring			
57	2	118550664/0	Pin			
61	1	118550674/0	Crankshaft			
62	1	118550673/0	Washer			
63	1	118550675/0	Connecting Rod Assy			
64	1	118550678/0	Circlip + Piston Pin			
65	1	118550677/0	Piston Assy			
66	1	118550679/0	Piston, Ring Set			
67	1	118550682/0	Camshaft assy			
68	1	112735699/0	Screw			
69	1	118550662/0	Speed Governor Assy			
70	1	118550665/0	Shaft, Governor Arm			
71	1	118550666/0	Washer			
72	1	118550671/0	Gasket			
73	1	118550723/0	Support Governor			
74	1	118550726/0	Screw			
75	1	118550722/0	Nut			
76	1	118550667/0	Cotter Pin			
77	2	118550683/0	Valve Lifter			
78	2	118550684/0	Push Rods			
79	1	118550685/0	Plate			
80	2	118550686/0	Screw			
81	2	118550687/0	Valve Arm			
82	2	118550688/0	Nut			
83	2	118550689/0	Nut			
85	1	118550746/0	Remote Control Assy			
86	2	112735699/0	Screw			
87	1	118550752/0	Spring			
89	1	112791500/0	Screw			
90	1	112735699/0	Screw			
91	2	118550692/0	Exhaust Valve Assy			



Engine - GGP RSC100

Ref.nr.	Antal	Komponentkode	Beskrivelse	Noter	From	Op til
92	2	118550691/0	Intake Valve Assy			
93	2	118550690/0	Spring			
94	1	118550699/0	Carburettor Gasket Set			
95	1	118550731/0	Cylinder Head Gasket Set			
96	1	118550730/0	Engine Gasket Set			