

STIGA

SBL 327 V (2020)

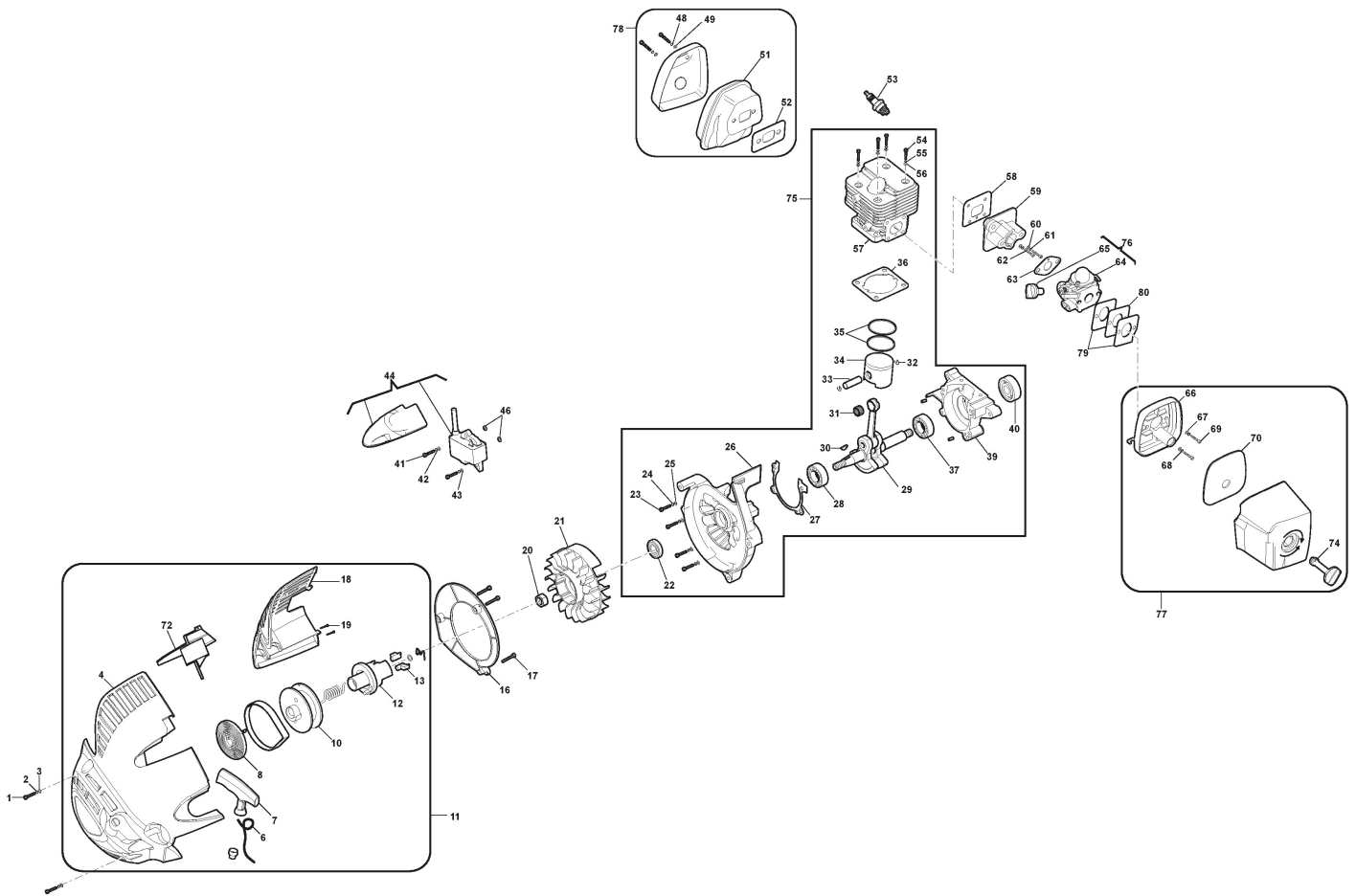
255127002/15



Spare parts list Reservdelar Repuestos Ersatzteile Pièces détachées Reserve onderdelen Catalogo ricambi

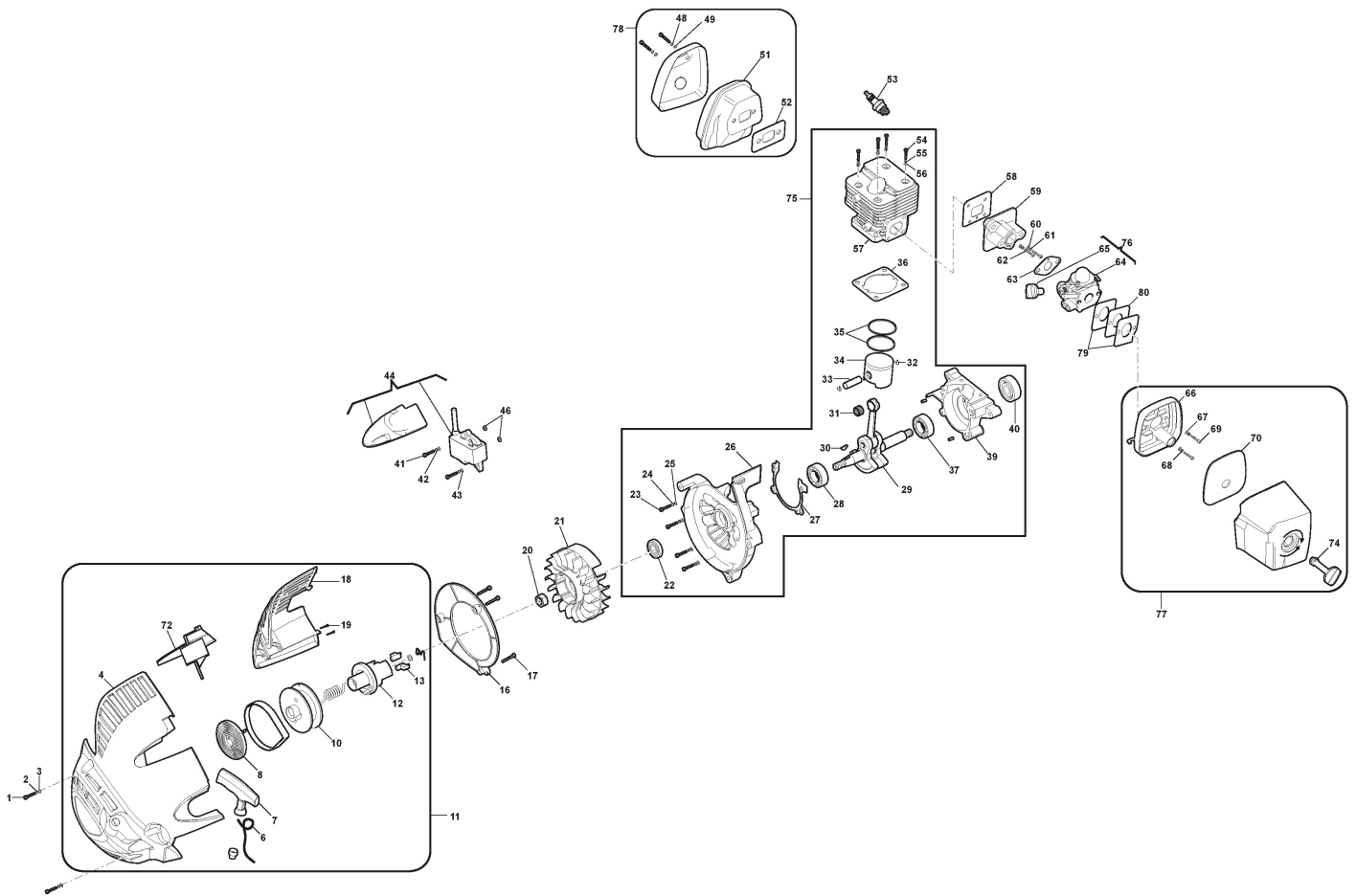
- Use ST. S.p.A. Genuine Spare Parts specified in the parts list for repair and/or replacement.
- The contents described in the parts list may change due to improvement.
- The drawings of the spare parts are only indicative And might Not represent the part in question exactly.
- The indications "right" - "left" - "front" - "rear" refer to the position of the operator when using the machine.
- When placing orders of parts for repair And/Or replacement, make sure that the illustrated parts list Is the one applying to the machine's year of manufacture, as shown on the identification plate attached to the machine.

All rights reserved. No part Of this material may be reproduced Or transmitted, in any form Or by any means, electronic Or mechanical, including photocopying, recording Or by any information storage And retrieval system, without permission in writing from ST. S.p.A.



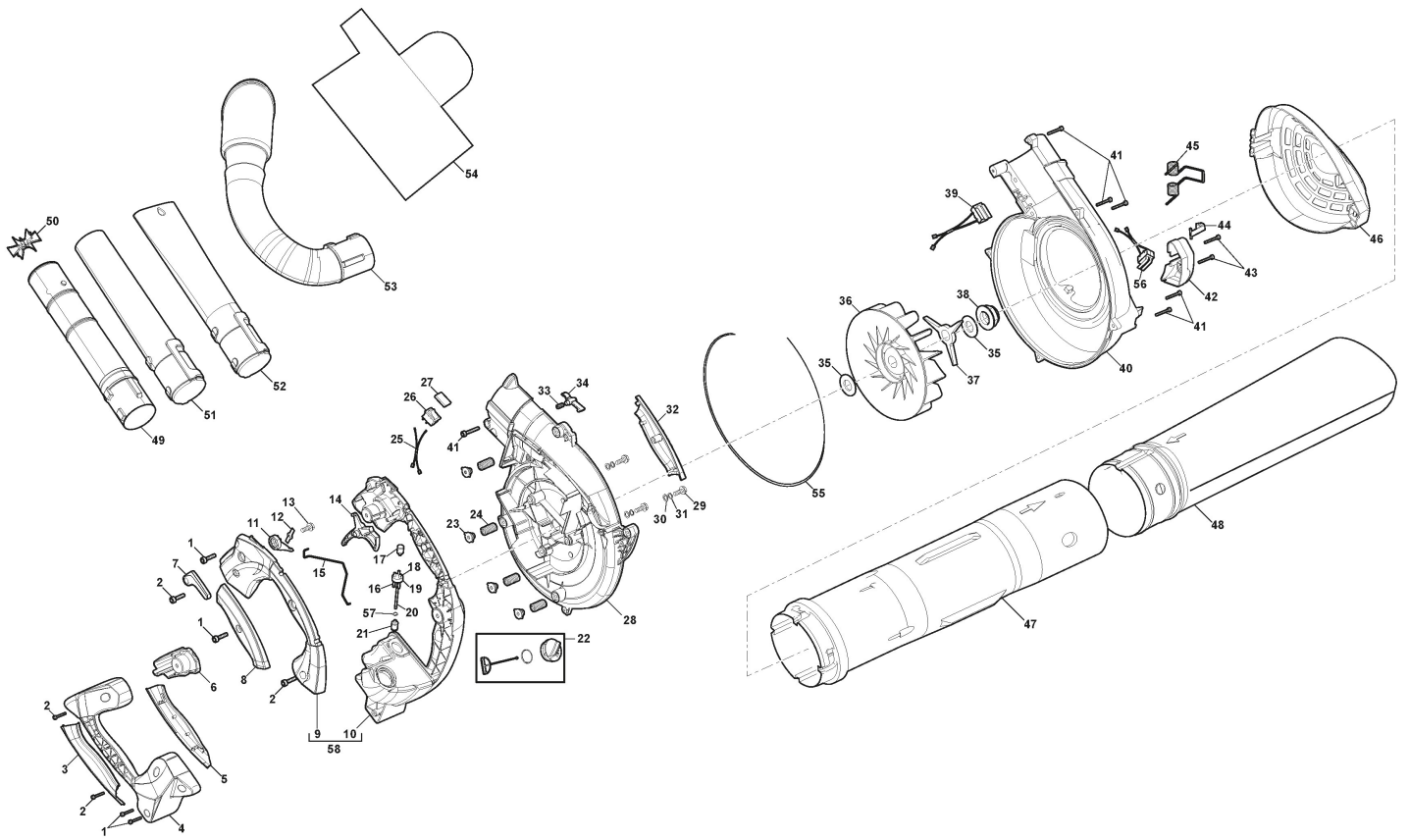
Engine

| Ref.nr. | Antal | Komponentkode | Beskrivelse | Noter | From | Op til |
|---------|-------|---------------|-----------------------|-------|------|--------|
| 1 | 3 | 2132550 | Screw | | | |
| 2 | 3 | 112581500/0 | Grower | | | |
| 3 | 3 | 112521320/0 | Washer | | | |
| 4 | 1 | 322055259/0 | Starter Cover, Yellow | | | |
| 6 | 1 | 123234005/0 | Starter Cord | | | |
| 7 | 1 | 118803135/0 | Starter Handle | | | |
| 8 | 1 | 118803058/0 | Starter Spring | | | |
| 10 | 1 | 118803060/0 | Starter Pulley | | | |
| 11 | 1 | 118803134/0 | Starter Assy, Yellow | | | |
| 12 | 1 | 118803061/0 | Gear | | | |
| 13 | 2 | 118803062/0 | Starter Pawl | | | |
| 16 | 1 | 118803063/0 | Deflector | | | |
| 17 | 3 | 112726389/0 | Screw | | | |
| 18 | 1 | 118803064/0 | Muffler Cover | | | |
| 19 | 2 | 112727810/0 | Screw | | | |
| 20 | 1 | 112154220/0 | Nut | | | |
| 21 | 1 | 118803065/0 | Flywheel | | | |
| 22 | 1 | 118550599/0 | Seal Ring | | | |
| 23 | 4 | 2132550 | Screw | | | |
| 24 | 4 | 112581500/0 | Grower | | | |
| 25 | 4 | 112521320/0 | Washer | | | |
| 26 | 1 | 118803066/0 | Crank Case | | | |
| 27 | 1 | 118803067/0 | Gasket | | | |
| 28 | 1 | 119216038/0 | Bearing | | | |
| 29 | 1 | 118803068/0 | Crankshaft | | | |
| 30 | 1 | 3151050 | Flywheel Key | | | |
| 31 | 1 | 118803069/0 | Bearing | | | |
| 32 | 2 | 123202006/0 | Circlip | | | |
| 33 | 1 | 118803070/0 | Piston Pin | | | |
| 34 | 1 | 118803071/0 | Piston | | | |
| 35 | 2 | 118803072/0 | Piston Ring | | | |
| 36 | 1 | 118803073/0 | Cylinder Gasket | | | |
| 37 | 1 | 119216038/0 | Bearing | | | |
| 39 | 1 | 118803075/0 | Crank Case | | | |
| 40 | 1 | 118550599/0 | Seal Ring | | | |
| 41 | 2 | 2132510 | Screw | | | |
| 42 | 2 | 112581200/0 | Grower | | | |
| 43 | 2 | 112523000/1 | Washer | | | |
| 44 | 1 | 118803076/0 | Electronic Coil | | | |
| 46 | 2 | 118804612/0 | Heat Insulation Pad | | | |
| 48 | 2 | 112581500/0 | Grower | | | |
| 49 | 2 | 112521320/0 | Washer | | | |
| 51 | 1 | 118803080/0 | Muffler | | | |
| 52 | 1 | 118803081/0 | Muffler Gasket | | | |
| 53 | 1 | 3210024 | Spark Plug | | | |
| 54 | 4 | 2132550 | Screw | | | |
| 55 | 4 | 112581500/0 | Grower | | | |
| 56 | 4 | 112521320/0 | Washer | | | |



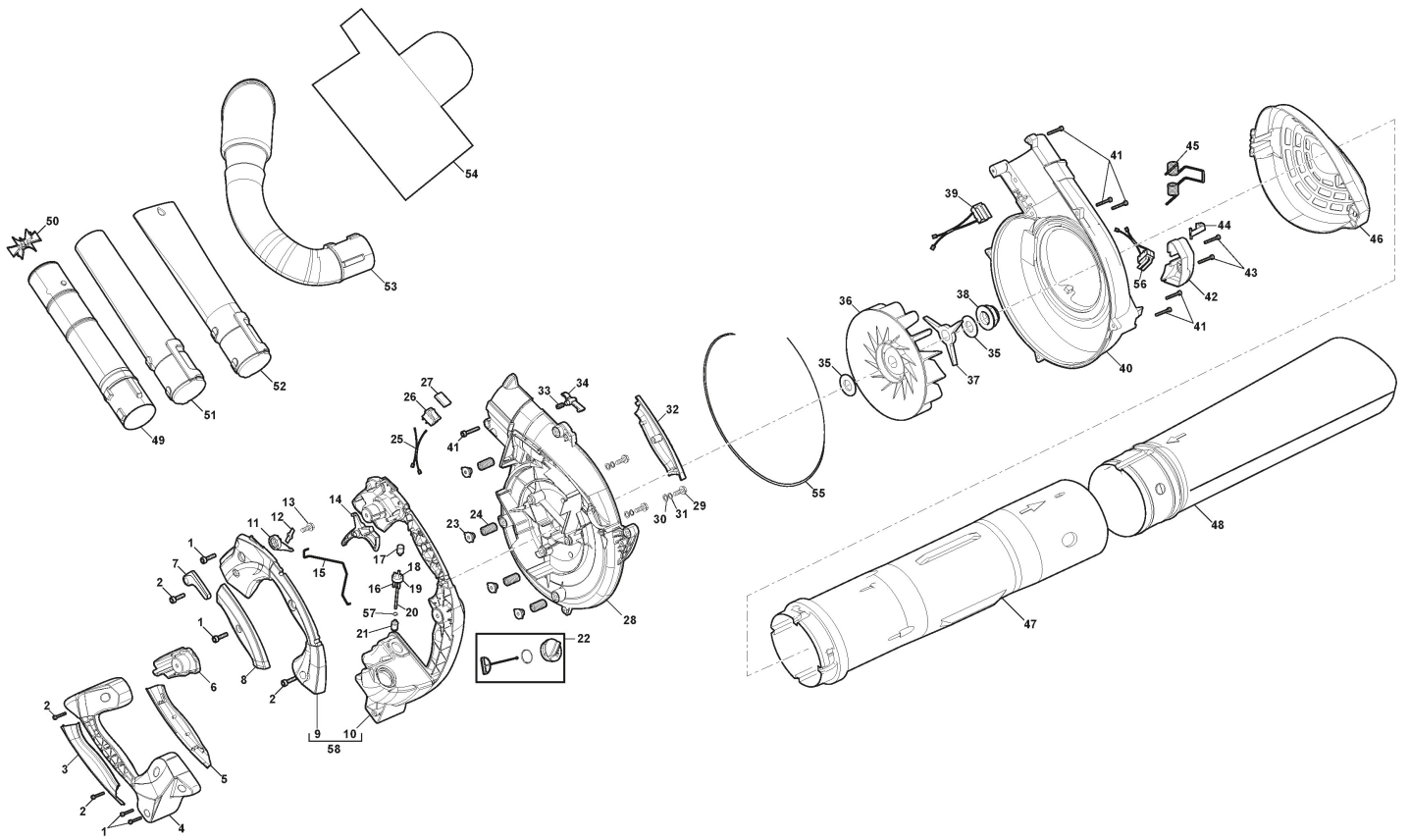
Engine

| Ref.nr. | Antal | Komponentkode | Beskrivelse | Noter | From | Op til |
|---------|-------|---------------|-------------------------|-------|--------------------------------|--------|
| 57 | 1 | 118803082/0 | Cylinder | | | |
| 58 | 1 | 118803083/0 | Gasket | | | |
| 59 | 1 | 118803084/0 | Intake Manifold | | | |
| 60 | 2 | 112521320/0 | Washer | | | |
| 61 | 2 | 112581500/0 | Grower | | | |
| 62 | 2 | 2132550 | Screw | | | |
| 63 | 1 | 118803085/0 | Carburettor Gasket | | | |
| 64 | 1 | 118803086/0 | Carburetor | | | |
| 65 | 1 | 118803087/0 | Knob | | | |
| 66 | 1 | 118803088/0 | Air box base | | | |
| 67 | 2 | 112521320/0 | Washer | | | |
| 68 | 2 | 112581500/0 | Grower | | | |
| 69 | 2 | 6981104 | Outfit, Screws | | | |
| 70 | 1 | 118803089/0 | Screw | | | |
| 72 | 1 | 118804611/0 | Rubber Pad | | | |
| 74 | 1 | 118803090/0 | Knob | Black | | |
| 75 | 1 | 118804968/0 | Engine Short Block Assy | | | |
| 76 | 1 | 118804969/0 | Carburetor Assy | | | |
| 77 | 1 | 118804970/0 | Air Filter Assy | | | |
| 78 | 1 | 118804971/0 | Muffler Assy | | | |
| 79 | 2 | 118805290/0 | Paper Gasket | | From S/N 20CC1BLO 000181 | |
| 80 | 1 | 118805291/0 | Metal gasket | | From S/N 20CC1BLO 000181 | |



Housing

| Ref.nr. | Antal | Komponentkode | Beskrivelse | Noter | From | Op til |
|---------|-------|---------------|--------------------------|-------|------|--------|
| 1 | 4 | 112728099/1 | Screw | | | |
| 2 | 4 | 112727795/0 | Screw | | | |
| 3 | 1 | 118803091/0 | Handle Cover | | | |
| 4 | 1 | 118803092/0 | Handle | | | |
| 5 | 1 | 118803093/0 | Handle Cover | | | |
| 6 | 1 | 118803094/0 | Support | | | |
| 7 | 1 | 118803095/0 | Knob | | | |
| 8 | 1 | 118803096/0 | Handle Cover, Left Part | | | |
| 9 | 1 | 118803097/0 | Left Handgrip | | | |
| 10 | 1 | 118803098/0 | Right Handgrip | | | |
| 11 | 1 | 118803099/0 | Lever | | | |
| 12 | 1 | 118803100/0 | Reed | | | |
| 13 | 1 | 112735404/0 | Screw | | | |
| 14 | 1 | 118803101/0 | Trigger | | | |
| 15 | 1 | 118803102/0 | Push Rod | | | |
| 16 | 1 | 118803103/0 | Tube | | | |
| 17 | 1 | 118803104/0 | Equalizer | | | |
| 18 | 1 | 118803105/0 | Oil return pipe | | | |
| 19 | 1 | 118803106/0 | Retainer | | | |
| 20 | 1 | 118803107/0 | Fuel Tube | | | |
| 21 | 1 | 118800199/0 | Fuel Filter | | | |
| 22 | 1 | 118800241/0 | Fuel Cap Assy | | | |
| 23 | 4 | 118803108/0 | Fixation Block | | | |
| 24 | 4 | 118803109/0 | Spring | | | |
| 25 | 1 | 118803110/0 | Cable | | | |
| 26 | 1 | 118803111/0 | Switch | | | |
| 27 | 1 | 118803112/0 | Cap | | | |
| 28 | 1 | 118803113/0 | Air Conveyor | | | |
| 29 | 3 | 2132550 | Screw | | | |
| 30 | 3 | 112521320/0 | Washer | | | |
| 31 | 3 | 112581500/0 | Grower | | | |
| 32 | 1 | 118803114/0 | Handle Cover, Right Part | | | |
| 33 | 1 | 118803115/0 | Spring | | | |
| 34 | 1 | 118803116/0 | Fixed link | | | |
| 35 | 2 | 118803117/0 | Washer | | | |
| 36 | 1 | 118803118/0 | Fan | | | |
| 37 | 1 | 118803119/0 | Blade | | | |
| 38 | 1 | 118803120/0 | Nut | | | |
| 39 | 1 | 118803121/0 | Reverse-switch | | | |
| 40 | 1 | 118803122/0 | Air Conveyor | | | |
| 41 | 6 | 112728099/1 | Screw | | | |
| 42 | 1 | 118803123/0 | Protection Cover | | | |
| 43 | 2 | 112726389/0 | Screw | | | |
| 44 | 1 | 118803124/0 | Lever | | | |
| 45 | 1 | 118803125/0 | Spring | | | |
| 46 | 1 | 322055260/0 | Fan Cover, Yellow | | | |
| 47 | 1 | 118803126/0 | Vacumm tube | | | |
| 48 | 1 | 118803127/0 | Vacumm tube | | | |



Housing

| Ref.nr. | Antal | Komponentkode | Beskrivelse | Noter | From | Op til |
|---------|-------|---------------|--------------------|-------|------|--------|
| 49 | 1 | 118803128/0 | First Blower Tube | | | |
| 50 | 1 | 118803129/0 | Shredder | | | |
| 51 | 1 | 118803130/0 | Third Blower Tube | | | |
| 52 | 1 | 118803131/0 | Second Blower Tube | | | |
| 53 | 1 | 118803132/0 | Tube Fittings Bag | | | |
| 54 | 1 | 118803133/0 | Bag | | | |
| 55 | 1 | 118804610/0 | Seal | | | |
| 56 | 1 | 118804609/0 | Switch | | | |
| 57 | 1 | 118804613/0 | Snap Ring | | | |
| 58 | 1 | 118803098/1 | Handle Cover Kit | | | |