

SBL 260 H (2011)



Documents

Engine

Housing

Technical information

Article number	255026002/10
Item Status	Available
Season	2009-2014
Average air volume	460 m ³ /min
Brand Code	Stiga
Displacement	25,4 cm ³
Engine net power	0,7 kW
Fuel tank capacity	0,6 L
Gross weight	0 kg
Maximum air speed	28 m/s
Product Name	SBL 260 H
Net weight	5 kg
SubCategory	Blowers Petrol
Type	Machine

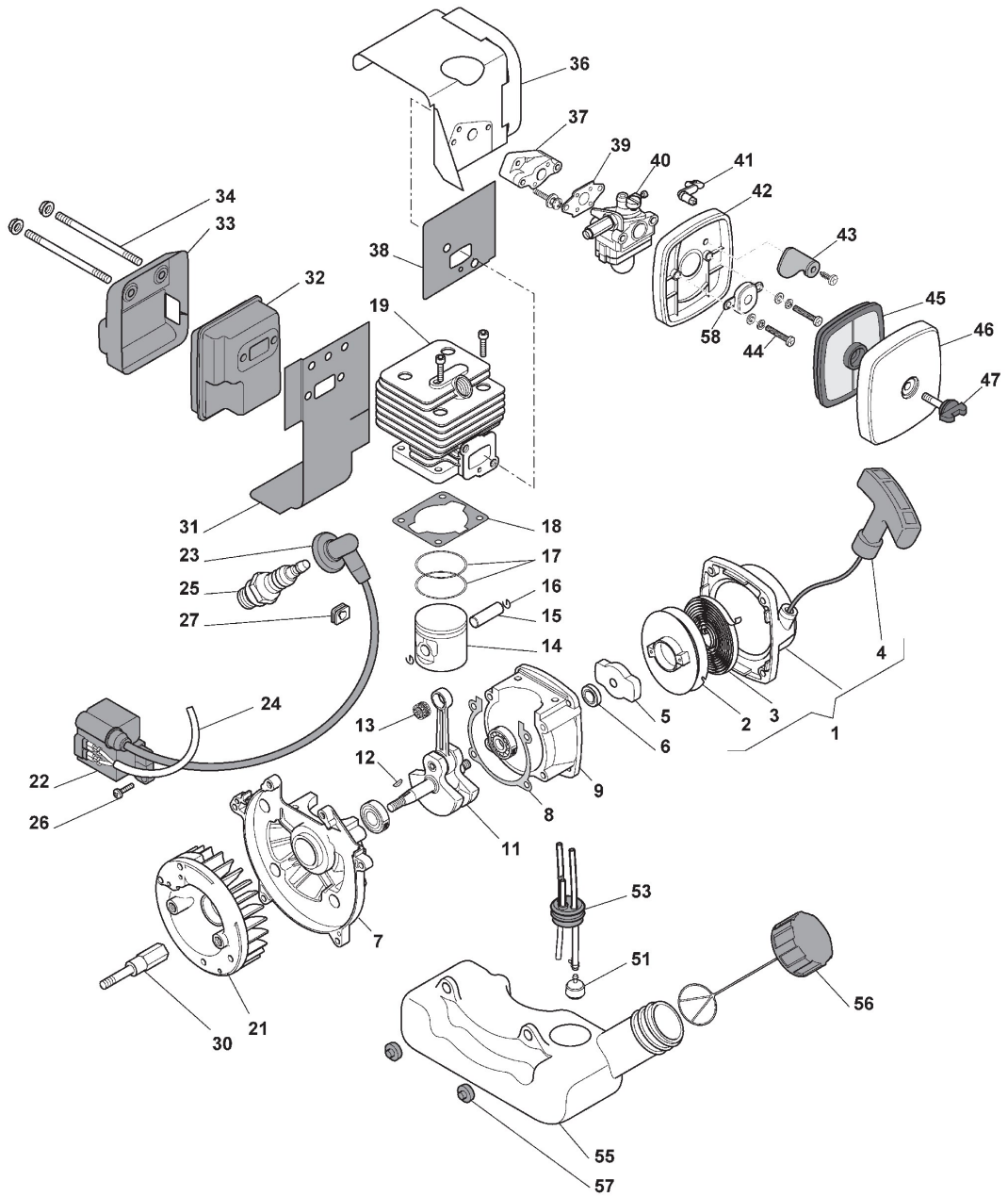


Illustration Engine

Reference	Qty	Item number	Description	Notes	From	Up to
1	1	183058031/0	Starter Assy			
2	1	123604006/0	Starter Pulley			
3	1	123430584/0	Spring			
4	1	123300012/0	Starter Handle			
5	1	183082002/0	Starter Cup Ass.Y			
6	2	119035159/0	Seal Ring			
7	1	123685025/0	Crank Case			
8	1	123280046/0	Crankcase Gasket			
9	1	123685024/0	Crank Case			
11	1	123020024/0	Crankshaft			
12	1	123072004/0	Flywheel Key			
13	1	123235006/0	Needle Bearing			
14	1	123590007/0	Piston			
15	1	123760005/0	Piston Pin			
16	2	123202005/0	Washer, Piston Pin			
17	2	123204009/0	Piston Ring			
18	1	123280044/0	Cylinder Base Gasket			
19	1	123071021/0	Cylinder			
21	1	123880010/0	Flywheel Ass.Y			
22	1	118801574/0	Electronic Coil			
23	1	123053004/0	Spark Plug Cover			
24	1	123065040/0	Earth Cable			
25	1	3210024	Spark Plug			
26	2	123878070/0	Screw			
27	1	123275023/0	Grommet			
30	1	123020029/0	Shaft			
31	1	123280057/0	Muffler Gasket			
32	1	183740016/0	Muffler			
33	1	123600068/0	Muffler Protection			
34	2	123878071/0	Screw			
36	1	123600069/0	Guard			
37	1	123073508/0	Intake Manifold			
38	1	123280058/0	Intake Manifold Gasket			
39	1	123280059/0	Intake Carburetor Gasket			
40	1	123054033/0	Carburetor			
41	1	123315090/0	Choke Lever			
42	1	123040003/0	Air Filter Holder			
43	1	123190001/0	Starter Valve			
44	2	123878072/0	Screw			
45	1	123220012/0	Air Filter			
46	1	123090031/0	Filter Cover			
47	1	123878073/0	Screw			
51	1	183520006/0	Intake Filter Assy			
53	1	123275021/0	Grommet			
55	1	123733004/0	Fuel Tank			
56	1	183790009/0	Cap Ass'Y, Fuel Tank			

Illustration Engine

Reference	Qty	Item number	Description	Notes	From	Up to
57	2	123280060/0	Rubber Gasket			
58	1	118802269/0	Flange			

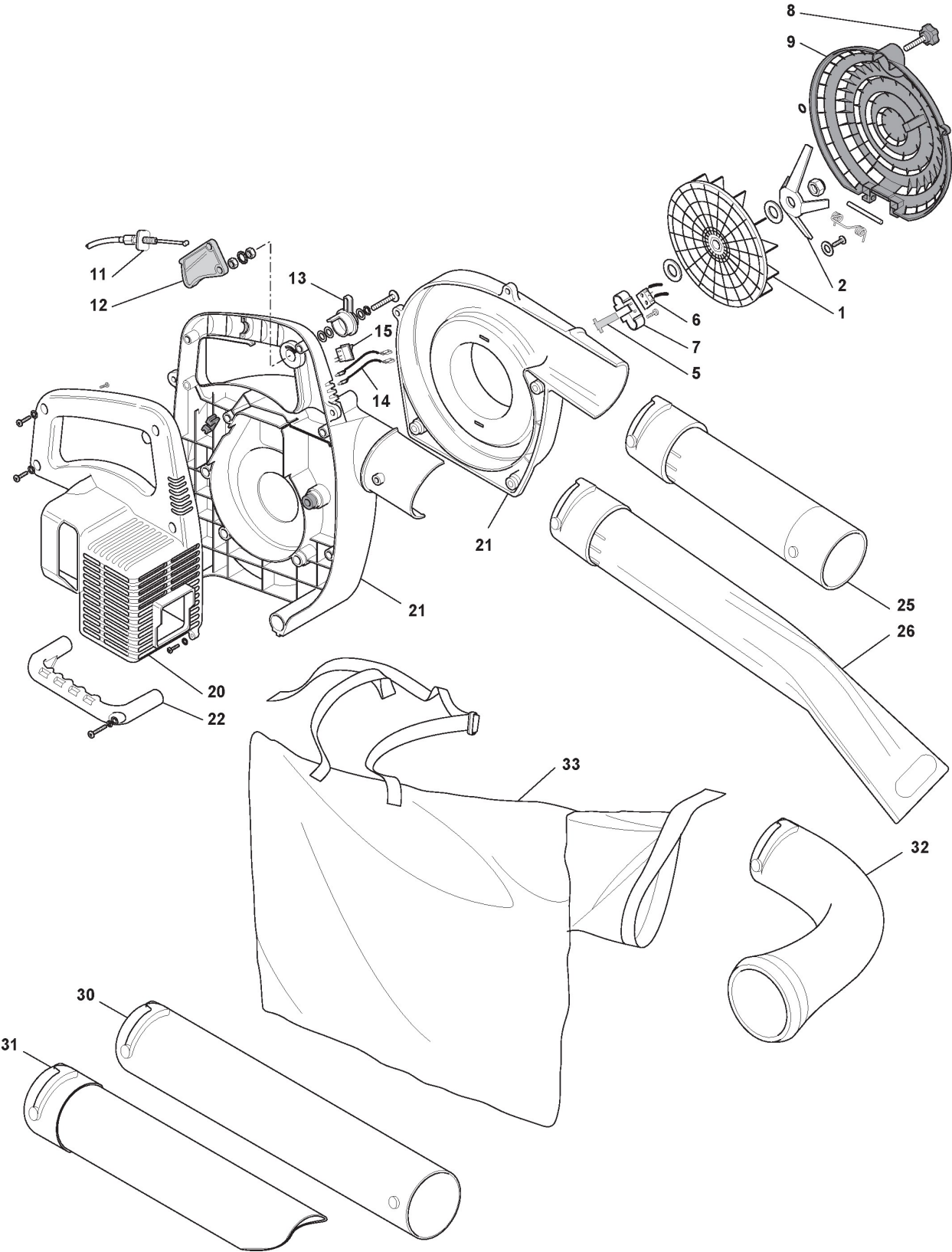


Illustration Housing

Reference	Qty	Item number	Description	Notes	From	Up to
1	1	123876002/0	Fan			
2	1	123305003/0	Comminute Board			
5	1	123606004/0	Stop Plate			
6	1	123303005/0	Switch			
7	1	123671500/0	Stop Plate			
8	1	123593506/0	Knob			
9	1	123109575/0	Fan Cover			
11	1	123065042/0	Throttle Cable			
12	1	123315091/0	Throttle Lever			
13	1	123315092/0	Throttle Lockout			
14	1	123065041/0	Stop Wire			
15	1	123303004/0	Switch			
20	1	123600070/0	Semi-Handgrips Yellow			
21	1	183107500/0	Air Conveyor Yellow			
22	1	123700064/0	Lower Handgrip			
25	1	123867016/0	First Blower Tube			
26	1	123867015/0	Second Blower Tube			
30	1	183869071/1	First Vacuum Tube			
31	1	118800595/0	Second Vacuum Tube			
32	1	123867017/0	Tube Fittings Bag			
33	1	123666000/0	Bag			