

STIGA

SMT 226 - 5 in 1 (2021)

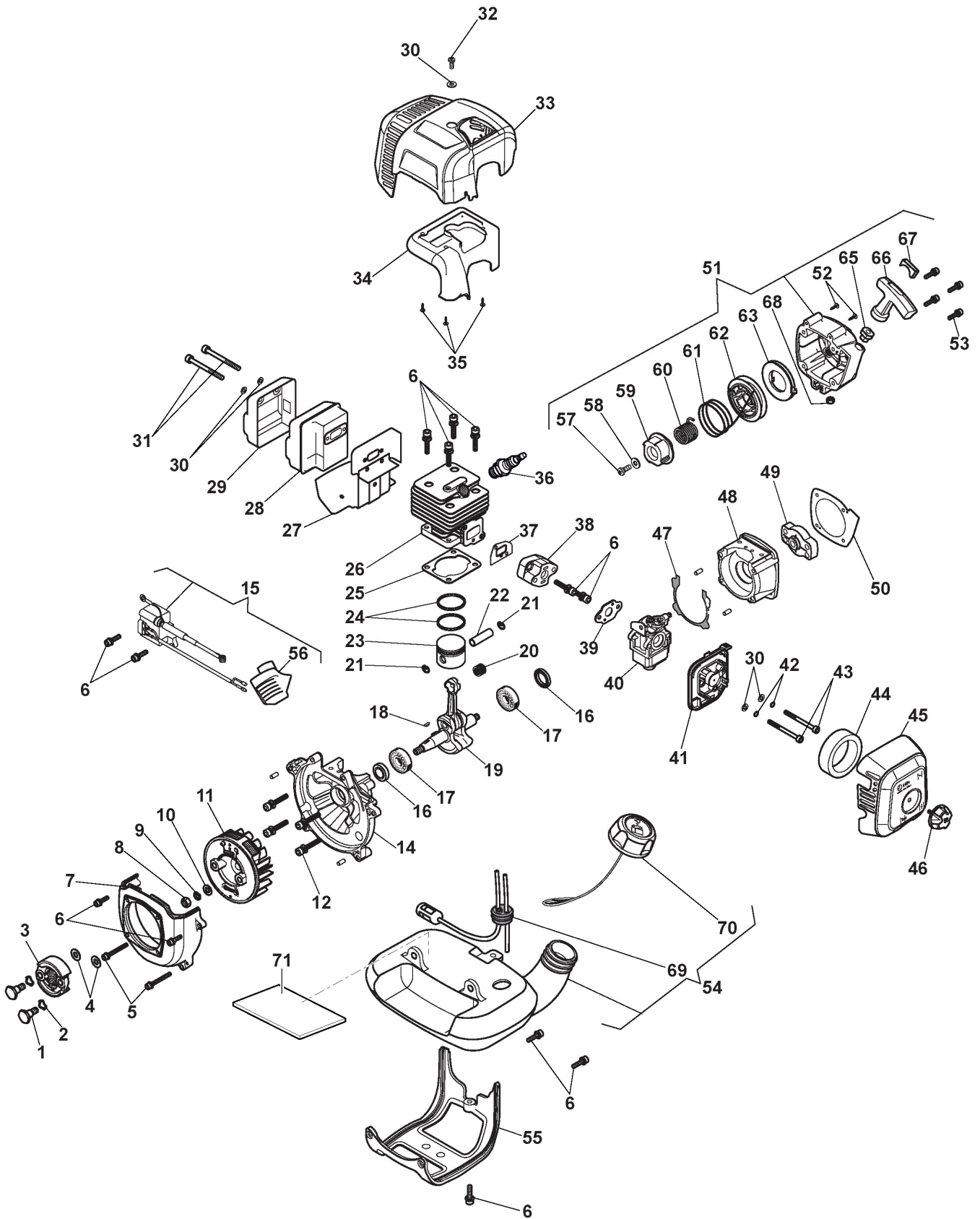
287130152/ST1



Spare parts list Reservdelar Repuestos Ersatzteile Pièces détachées Reserve onderdelen Catalogo ricambi

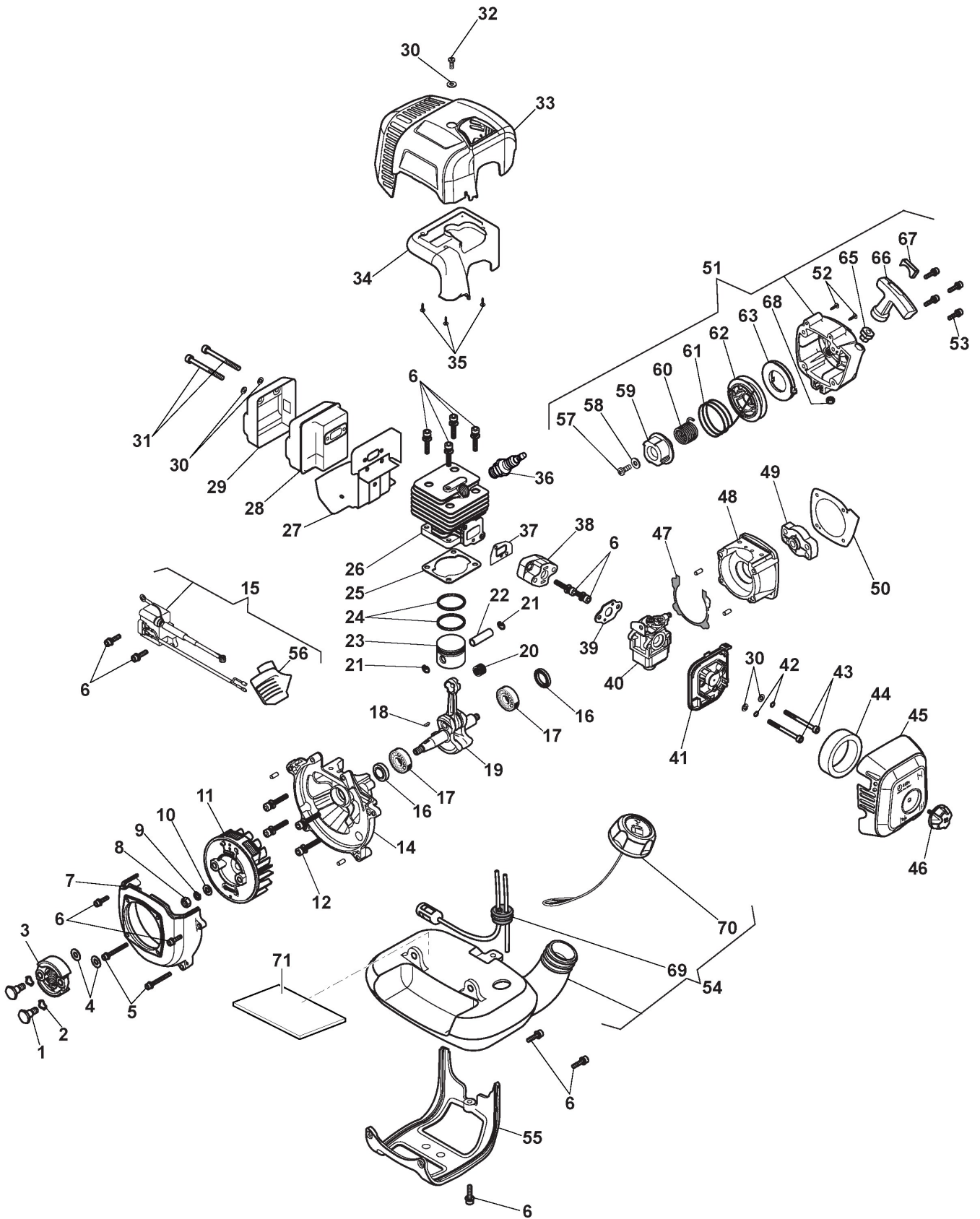
- Use ST. S.p.A. Genuine Spare Parts specified in the parts list for repair and/or replacement.
- The contents described in the parts list may change due to improvement.
- The drawings of the spare parts are only indicative And might Not represent the part in question exactly.
- The indications "right" - "left" - "front" - "rear" refer to the position of the operator when using the machine.
- When placing orders of parts for repair And/Or replacement, make sure that the illustrated parts list Is the one applying to the machine's year of manufacture, as shown on the identification plate attached to the machine.

All rights reserved. No part Of this material may be reproduced Or transmitted, in any form Or by any means, electronic Or mechanical, including photocopying, recording Or by any information storage And retrieval system, without permission in writing from ST. S.p.A.



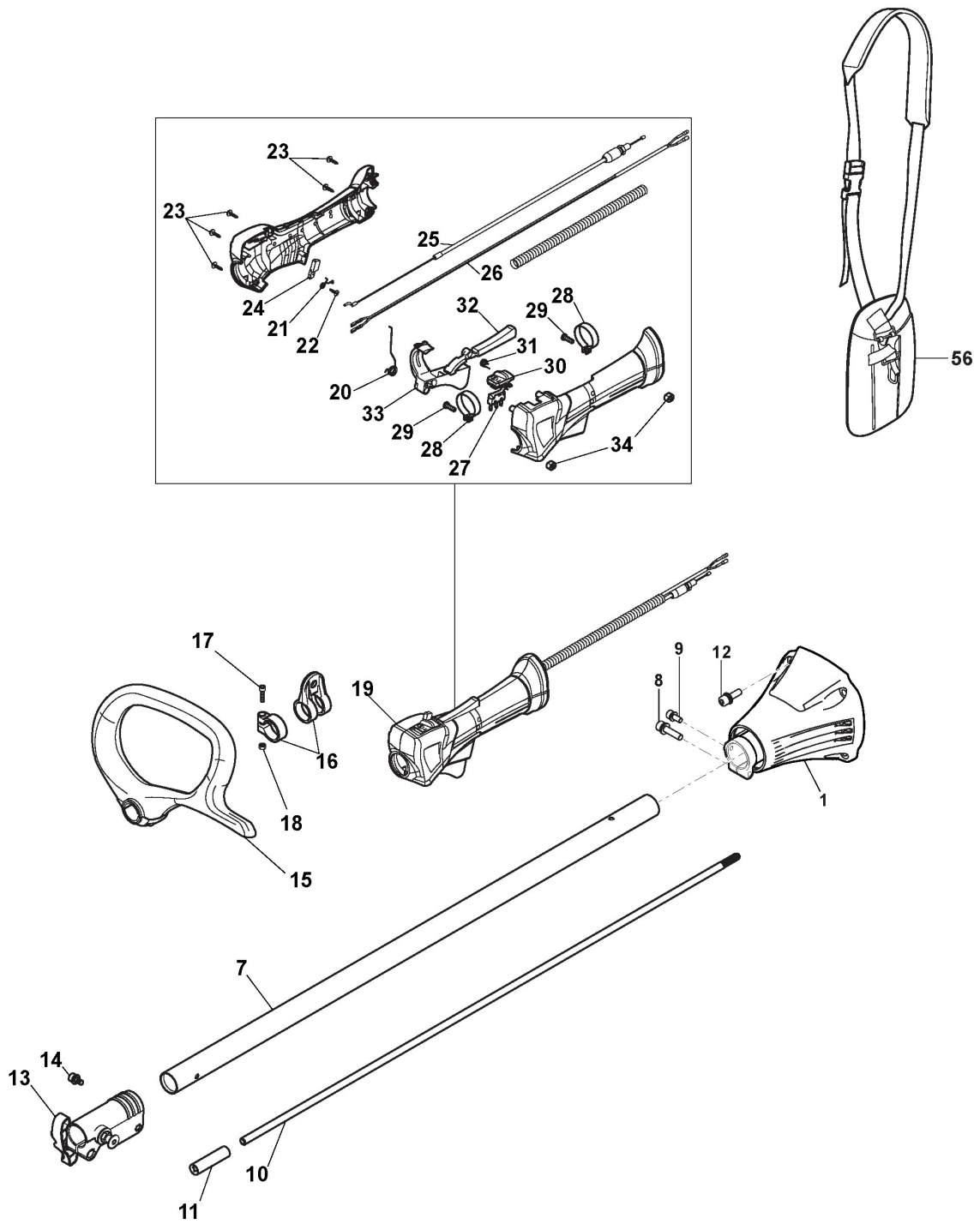
Engine

Ref.nr.	Antal	Komponentkode	Beskrivelse	Noter	From	Op til
1	2	118805051/0	Screw			
2	2	118804045/0	Washer			
3	1	118802113/0	Clutch Drive			
4	2	2312010	Flat washer			
5	2	2135120	Screw			
6	13	2135030	Screw			
7	1	118803161/0	Flywheel Cover			
8	1	112293200/0	Nut			
9	1	112583500/0	Grower			
10	1	6981128	Washer			
11	1	118802073/0	Flywheel			
12	4	2135050	Screw			
14	1	118802078/0	Crank Case			
15	1	118803162/0	Electronic Coil			
16	2	118801188/0	Seal Ring			
17	2	119216035/0	Bearing			
18	1	123072002/0	Flywheel Key			
19	1	118802066/0	Crankshaft			
20	1	118803164/0	Needle Bearing			
21	2	118802084/0	Circlip			
22	1	118802081/0	Piston Pin			
23	1	118802076/0	Piston			
24	2	118802077/0	Piston Ring			
25	1	118803165/0	Cylinder Gasket			
26	1	118802074/0	Cylinder			
27	1	118803166/0	Muffler Gasket			
28	1	118803167/0	Muffler			
29	1	118803168/0	Muffler Guard			
30	5	112521320/0	Washer			
31	2	2122210	Screw			
32	1	112727790/0	Screw			
33	1	322055254/0	Yellow Cylinder Cover			
34	1	118803169/0	Air Cleaner Cover			
35	3	1126-1049-01	Screw			
36	1	3210024	Spark Plug			
37	1	118803170/0	Gasket			
38	1	118802086/0	Intake Manifold			
39	1	118803171/0	Carburetor Gasket			
40	1	118803172/0	Carburetor			
41	1	118803173/0	Cover			
42	2	112581500/0	Grower			
43	2	2135250	Screw			
44	1	118801526/0	Air Filter			
45	1	322055255/0	Filter Cover Yellow			
46	1	118803174/0	Knob, Grey			
47	1	118803175/0	Crankcase Gasket			
48	1	118802079/0	Crank Case			
49	1	118802069/0	Starter Cup			



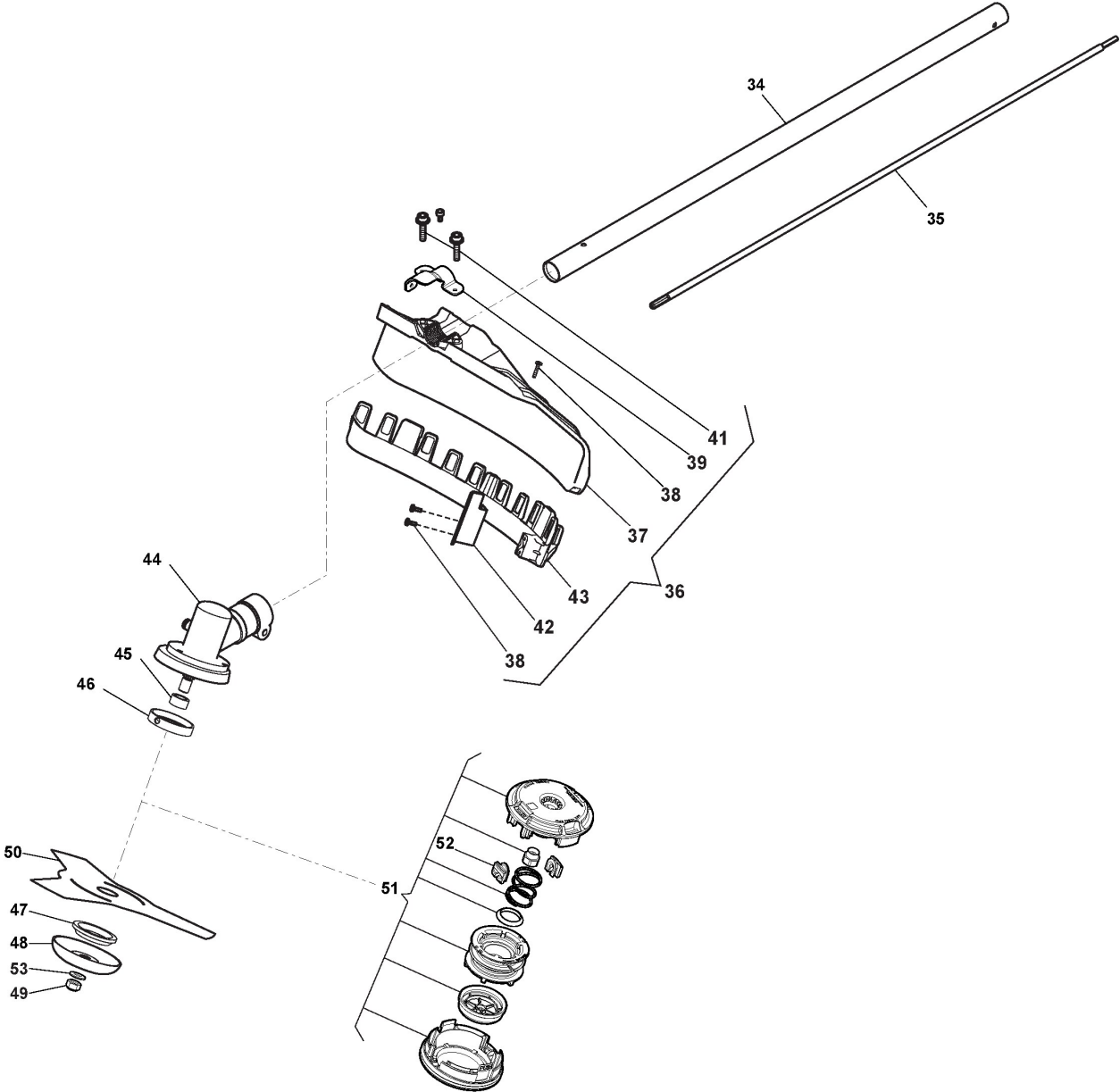
Engine

Ref.nr.	Antal	Komponentkode	Beskrivelse	Noter	From	Op til
50	1	118803176/0	Gasket			
51	1	118803177/0	Starter Assy Yellow			
52	2	112727810/0	Screw			
53	4	6981149	Screw			
54	1	118803189/0	Fuel Tank Assy			
55	1	118803191/0	Support			
56	1	118803163/0	Spark Plug Cap			
57	1	2135180	Screw			
58	1	2312150	Washer			
59	1	118803179/0	Cap			
60	1	118803180/0	Spring			
61	1	118803181/0	Starter Cord			
62	1	118803182/0	Starter Pulley			
63	1	118803183/0	Spring			
65	1	118803185/0	Rope Guide			
66	1	118803186/0	Starter Handle			
67	1	118803187/0	Yellow Starter Plate			
68	1	112291000/0	Nut			
69	1	118803190/0	Fuel Hose			
70	1	322735152/0	Oil Cap			
71	1	118805308/0	Heat Insulation Label			



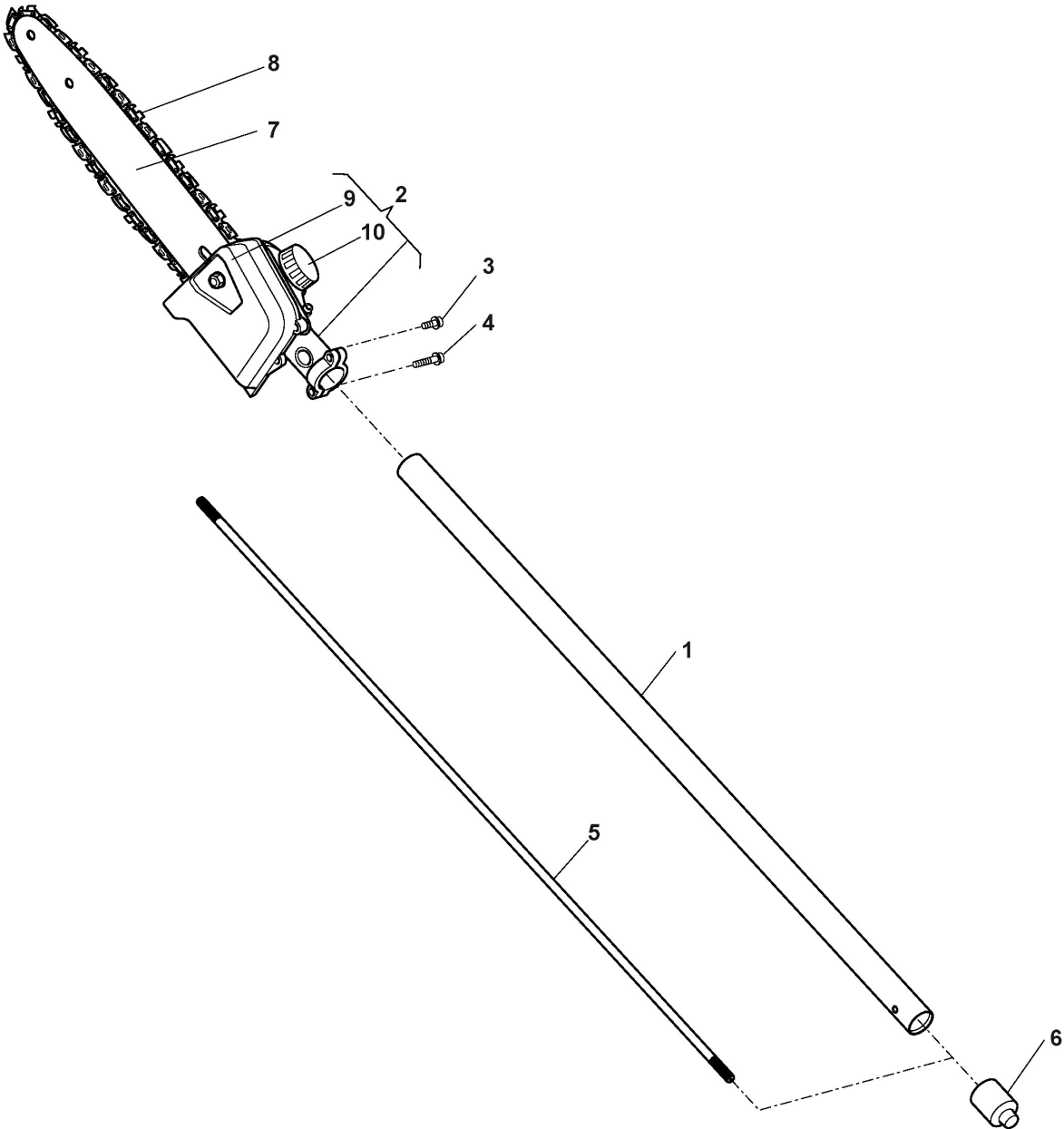
Transmission

Ref.nr.	Antal	Komponentkode	Beskrivelse	Noter	From	Op til
1	1	118804899/0	Transmission Support Assy			
7	1	118804900/0	Transmission Pipe Assy			
8	1	2135050	Screw			
9	1	2135180	Screw			
10	1	118803141/0	Pipe			
11	1	118803142/0	Shaft Connector			
12	4	2135150	Screw			
13	1	118802099/0	Connector Assy			
14	1	2135180	Screw			
15	1	118803955/0	Yellow Front Handgrip Assy			
16	1	118801182/0	Harness Support			
17	1	2135020	Screw			
18	1	112154330/0	Nut			
19	1	118803144/1	Handle Assy, Yellow			
20	1	118803151/0	Spring			
21	1	118803152/0	Spring			
22	1	2123060	Screw			
23	5	112727810/0	Screw			
24	1	118803153/0	Switch Part			
25	1	118803154/0	Throttle Cable			
26	1	118803155/0	Stop Wire			
27	1	118803145/0	Switch			
28	2	118803146/0	Clamp			
29	2	6981269	Screw			
30	1	118803147/0	Switch			
31	1	118803148/0	Spring			
32	1	118803149/0	Switch			
33	1	118803150/0	Throttle Lever, Yellow			
34	2	118804189/0	Threaded Insert			
56	1	118804016/0	Harness			



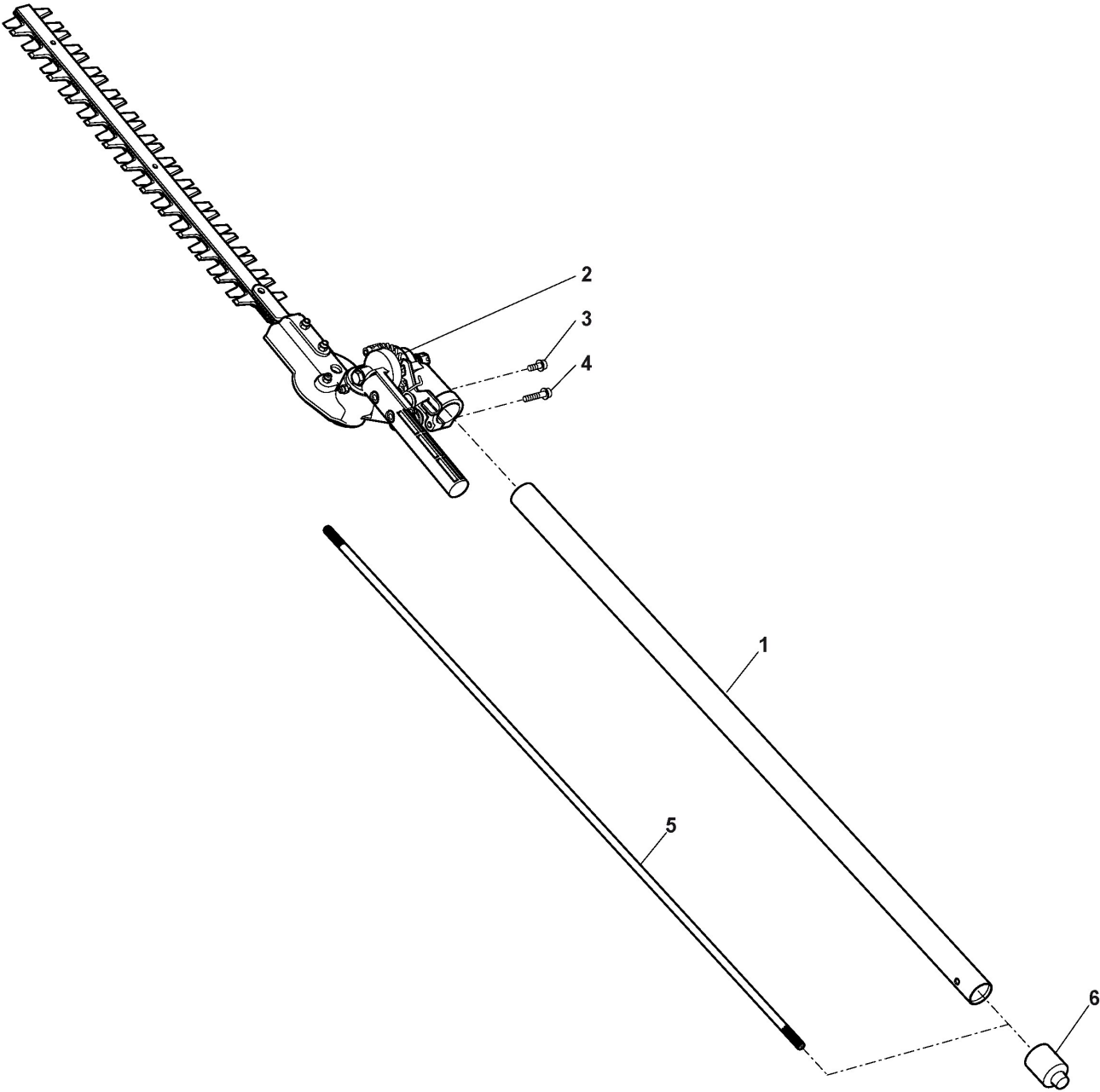
Brushcutter Part

Ref.nr.	Antal	Komponentkode	Beskrivelse	Noter	From	Op til
34	1	118803195/0	Transmission Pipe Assy			
35	1	118803197/0	Transmission Shaft Ass.Y			
36	1	118803198/0	Safety Cover Ass.Y			
37	1	118803199/0	Safety Cover, Grey			
38	3	2123050	Screw			
39	1	118803200/0	Plate			
41	2	112727799/0	Screw			
42	1	118803201/0	Line Cutter Blade			
43	1	118803202/0	Support			
44	1	118801184/0	Gear Case Assy			
45	1	118803203/0	Spacer			
46	1	118803204/0	Upper Ring Nut			
47	1	118803205/0	Lower Ring Nut			
48	1	118803206/0	Case Dust Cover			
49	1	2452090	Nut			
50	1	118801125/0	3 Teeth Disc			
51	1	1911-9226-01	Line Cutter Head			
52	1	118804890/0	Line Retainer			
53	1	112523080/0	Washer			



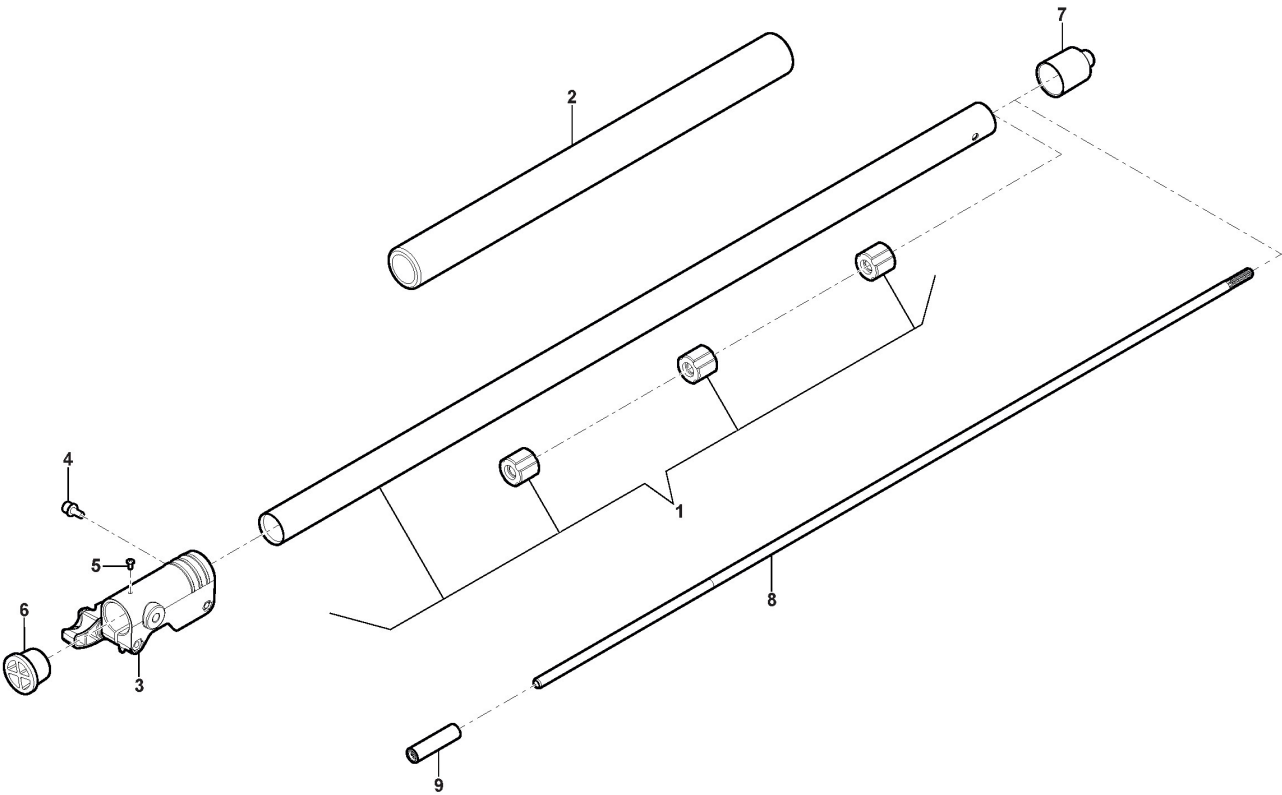
Pole Pruner

Ref.nr.	Antal	Komponentkode	Beskrivelse	Noter	From	Op til
1	1	118802883/0	Assy Transm. Tube			To
1	1	118802887/0	Assy Transm. Tube		From	28-Februar
2	1	118802884/0	Cutting Head			y-2019
3	1	112789000/0	Screw			
4	1	112789020/0	Screw			
5	1	118803197/0	Transmission Shaft Ass.Y			
6	1	118802886/0	Shaft blocker			
7	1	118801758/0	Guide Bar 10"-3/8"-0,050"			
8	1	118801742/0	Chain 10inch			
9	1	118805067/0	Chain Cover			
10	1	118805292/0	Oil Cap Assy			



Hedge Trimmer Attachment

Ref.nr.	Antal	Komponentkode	Beskrivelse	Noter	From	Op til
1	1	118802887/0	Assy Transm. Tube			
2	1	118802888/0	Cutting Head			
3	1	112789000/0	Screw			
4	1	112789020/0	Screw			
5	1	118803197/0	Transmission Shaft Ass.Y			
6	1	118802886/0	Shaft blocker			



Extension Shaft

Ref.nr.	Antal	Komponentkode	Beskrivelse	Noter	From	Op til
1	1	118804893/0	Transmission Pipe Assy			
2	1	118804894/0	Sponge Jacket			
3	1	118802099/0	Connector Assy		From	
3	1	118804895/0	Shaft Connector Assy		01-March-2	To
4	1	2135180	Screw		019	02-05-2019
5	1	118804896/0	Screw			
6	1	118804897/0	Shaft Block			
7	1	118802886/0	Shaft blocker			
8	1	118804898/0	Rigid Shaft			
9	1	118803142/0	Shaft Connector			