

STIGA

VILLA Combi 85 (2021)

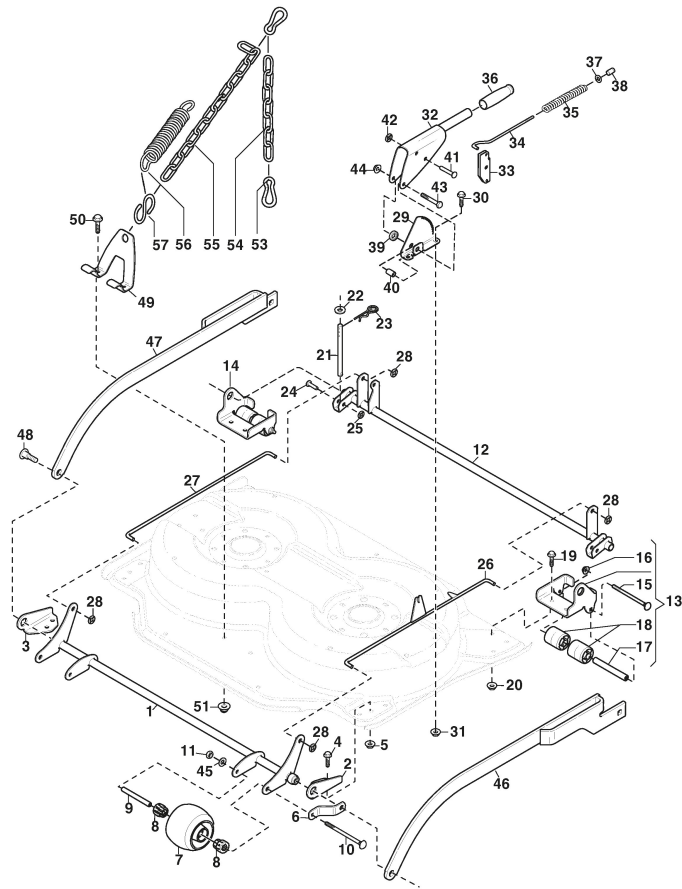
2D2708511/S16



Spare parts list Reservdelar Repuestos Ersatzteile Pièces détachées Reserve onderdelen Catalogo ricambi

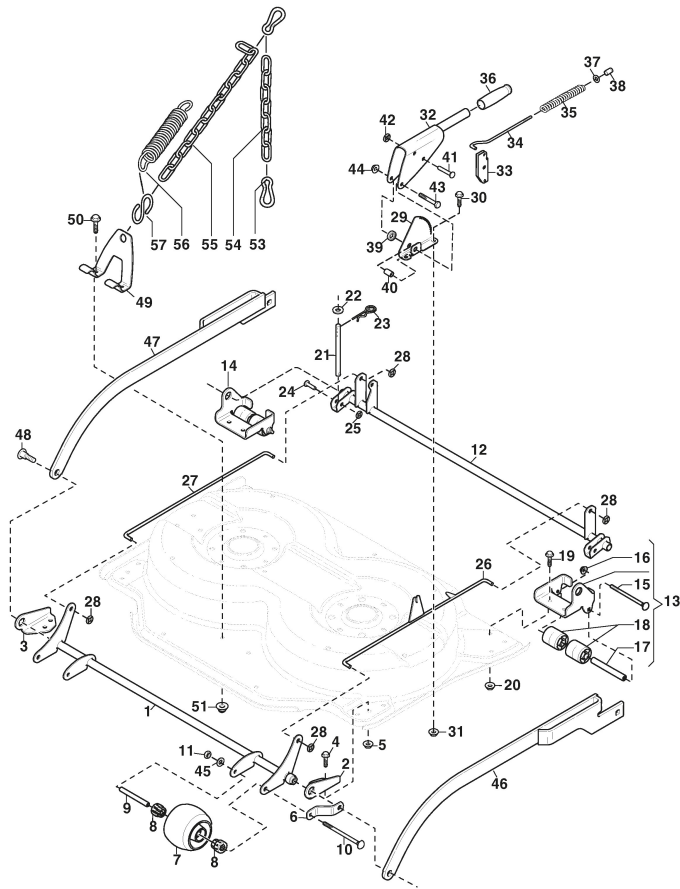
- Use ST. S.p.A. Genuine Spare Parts specified in the parts list for repair and/or replacement.
- The contents described in the parts list may change due to improvement.
- The drawings of the spare parts are only indicative And might Not represent the part in question exactly.
- The indications "right" - "left" - "front" - "rear" refer to the position of the operator when using the machine.
- When placing orders of parts for repair And/Or replacement, make sure that the illustrated parts list Is the one applying to the machine's year of manufacture, as shown on the identification plate attached to the machine.

All rights reserved. No part Of this material may be reproduced Or transmitted, in any form Or by any means, electronic Or mechanical, including photocopying, recording Or by any information storage And retrieval system, without permission in writing from ST. S.p.A.



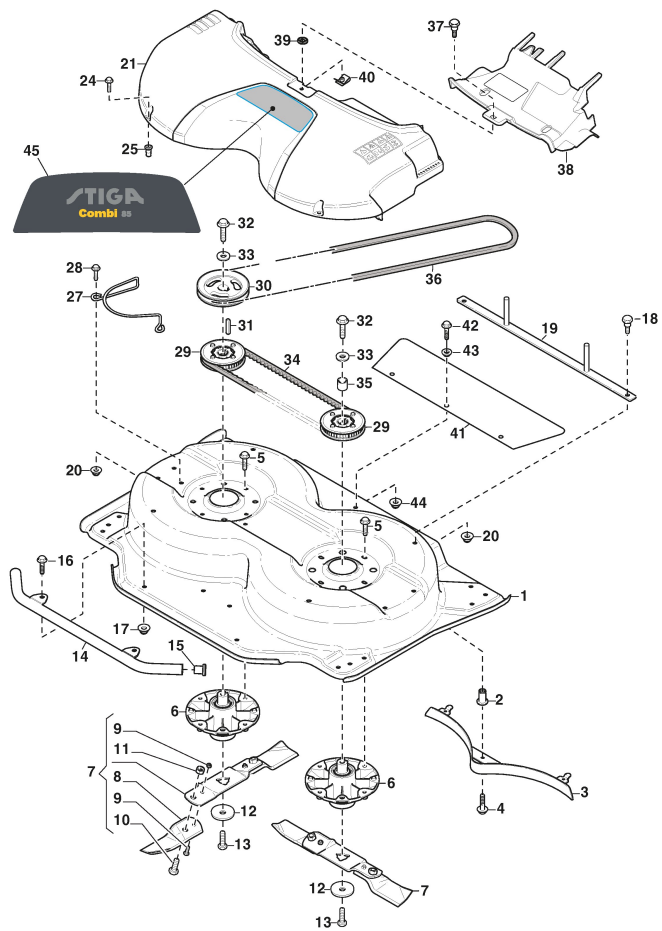
Controls

Ref.nr.	Antal	Komponentkode	Beskrivelse	Noter	From	Op til
1	1	1134-6275-01	Front Axle-Yellow			
2	1	1134-6214-01	Bracket Front-Lh (Yellow)			
3	1	1134-6214-02	Bracket Front-Rh (Yellow)			
4	4	112800815/0	Screw			
5	4	112154220/0	Nut			
6	2	387318275/0	Guide-Grey			
7	2	1134-4284-01	Wheel			
8	4	1134-4319-01	Bearing			
9	2	1134-4318-01	Wheel Axle			
10	2	9897-0813-02	Screw			
11	2	112155000/0	Nut			
12	1	1134-6197-01	Rear Axle-Yellow			
13	1	1134-6282-01	Roller-Lh W.Bracket			
14	1	1134-6282-02	Roller-Rh W.Bracket			
15	1	9897-0813-02	Screw			
16	1	112154220/0	Nut			
17	1	1134-4318-01	Wheel Axle			
18	1	1134-9126-01	Support Rollers	Kit with 2 pieces		
19	4	112800815/0	Screw			
20	4	112154220/0	Nut			
21	2	1134-6198-01	Stud			
22	2	9699-0104-02	Washer			
23	2	9598-2001-02	Spring Pin			
24	2	9646-0098-22	Rivet			
25	2	112604899/0	Crown Fastener			
26	1	387000309/0	Push Rod, Left			
27	1	1134-6246-03	Push Rod, Right			
28	4	112604903/0	Washer			
29	1	1137-0259-01	Height Adjust Quadrant			
30	2	112800815/0	Screw			
31	2	112154220/0	Nut			
32	1	387318273/0	Height Adjust Lever-Grey			
33	1	1134-6254-01	Catch Assy			
34	1	1134-5444-01	Push Rod			
35	1	1134-5445-01	Spring			
36	1	1134-5503-01	Handle			
37	1	9699-0087-02	Washer			
38	1	1134-3051-01	Locking Knob			
39	1	1134-6286-03	Spacer			
40	1	1134-1565-16	Spacer			
41	2	9646-0105-22	Rivet			
42	2	9672-0006-02	Lock washer			
43	1	112691400/0	Screw			
44	1	112155000/0	Nut			
45	2	9699-0028-02	Washer			
46	1	387106277/0	Cutting Deck Arm Assy Lh			
47	1	387106275/0	Cutting Deck Arm Assy Rh			
48	2	1134-6279-01	Shoulder Bolt			



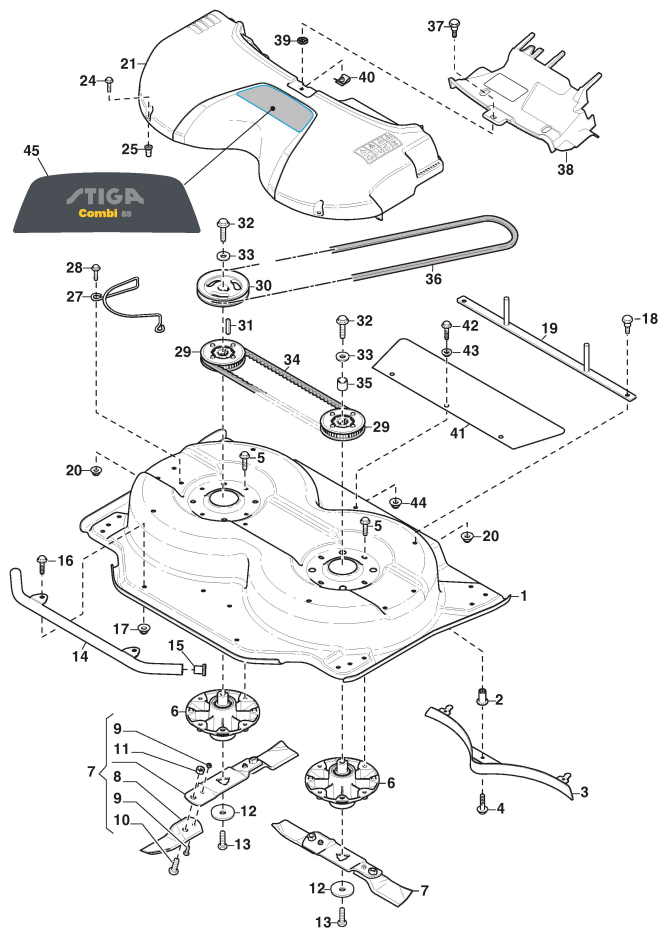
Controls

Ref.nr.	Antal	Komponentkode	Beskrivelse	Noter	From	Op til
49	1	387773535/1	Lift Bracket-Grey			
50	2	112800815/0	Screw			
51	2	112154220/0	Nut			
53	2	1134-5528-01	Snap Hook			
54	1	1134-6368-02	Chain	7 links		
55	1	1134-6368-03	Chain	12 links		
56	1	1134-5625-01	Spring			
57	1	1134-4623-01	S-Hook			



Transmission and Blades

Ref.nr.	Antal	Komponentkode	Beskrivelse	Noter	From	Op til
1	1	387561511/0	Cutting Deck			
2	3	1134-5595-01	Nut			
3	1	1134-6227-01	Mulching Plug 85C			
4	1	112800815/0	Screw			
5	8	9945-0825-16	Screw			
6	2	387203000/0	Shaft Flange Assy			
7	1	1134-9116-01	Blade Bar Assy (85C)	Kit with 2 pieces		
8	1	1134-9119-01	Blade Kit Assy	Kit with 2 blade tips		
9	1	1134-9054-01	Shear Bolt Kit			
10	2	1134-6311-01	Bolt	7/16" UNF		
11	2	1134-6312-01	Nut	7/16" UNF		
12	2	1134-6211-01	Washer			
13	2	112692395/2	Screw			
14	1	387869259/0	Front Guard Tube-Grey			
15	2	9403-0025-80	End Plug, Grey			
16	2	112800815/0	Screw			
17	2	112154220/0	Nut			
18	2	1134-0240-01	Shoulder screw			
19	1	387033103/0	Bracket			
20	4	112154220/0	Nut			
21	1	337060031/0	Belt cover			
24	2	9945-0825-16	Screw			
25	2	1134-5595-01	Nut			
27	1	1134-6429-01	Belt Guide			
28	2	9959-0820-16	Screw			
29	2	1134-6287-01	Toothed Pulley Assy			
30	1	1137-0010-01	Pulley	Ø = 154 mm		
31	1	9600-0168-01	Key			
32	2	112692395/2	Screw			
33	2	1134-5406-01	Washer			
34	1	1134-9182-01	Toothed Belt	Service code for Belt 9585-0161-01		
34	1	1134-9182-02	Forstærket Tandrem	Service code for Belt 135061511/0		
34	1	135061511/0	Toothed Belt	Replacing Service code 1134-9182-02		
34	1	35061511/0	Toothed Belt	Replacing Service code 1134-9182-02		
34	1	9585-0161-01	Toothed Belt	Replacing Service code 1134-9182-01		
35	1	1134-5400-04	Spacer			
36	1	1134-9109-01	Drive Belt	Service code for Belt 9585-0160-01		
36	1	9585-0160-01	Drive Belt	Replacing Service code 1134-9109-01		
37	1	1134-0240-00	Screw			
38	1	337600003/1	Belt cover			
39	1	9675-0016-02	Starlock			
40	1	1134-4620-02	Nut			
41	1	1134-6281-01	Rubber Guard			
42	3	112800815/0	Screw			
43	3	1134-4185-01	Flange Washer			



Transmission and Blades

Ref.nr.	Antal	Komponentkode	Beskrivelse	Noter	From	Op til
44	3	112154220/0	Nut			
45	1	114368546/1	Label Combi 85			