

# STIGA

## Cuttingdeck PARK 95 COMBI EL QF (2020)

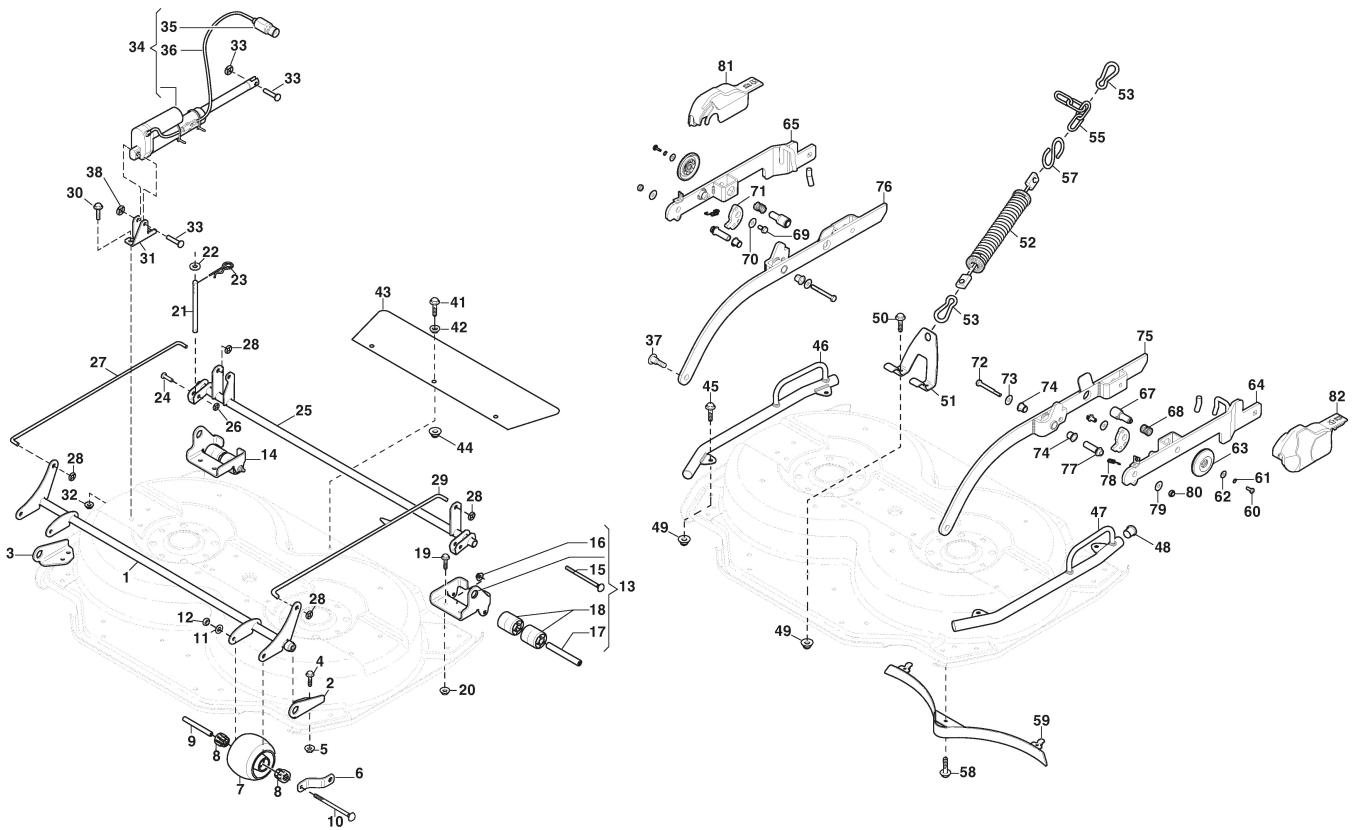
2D6209521/ST1



### Spare parts list Reservdelar Repuestos Ersatzteile Pièces détachées Reserve onderdelen Catalogo ricambi

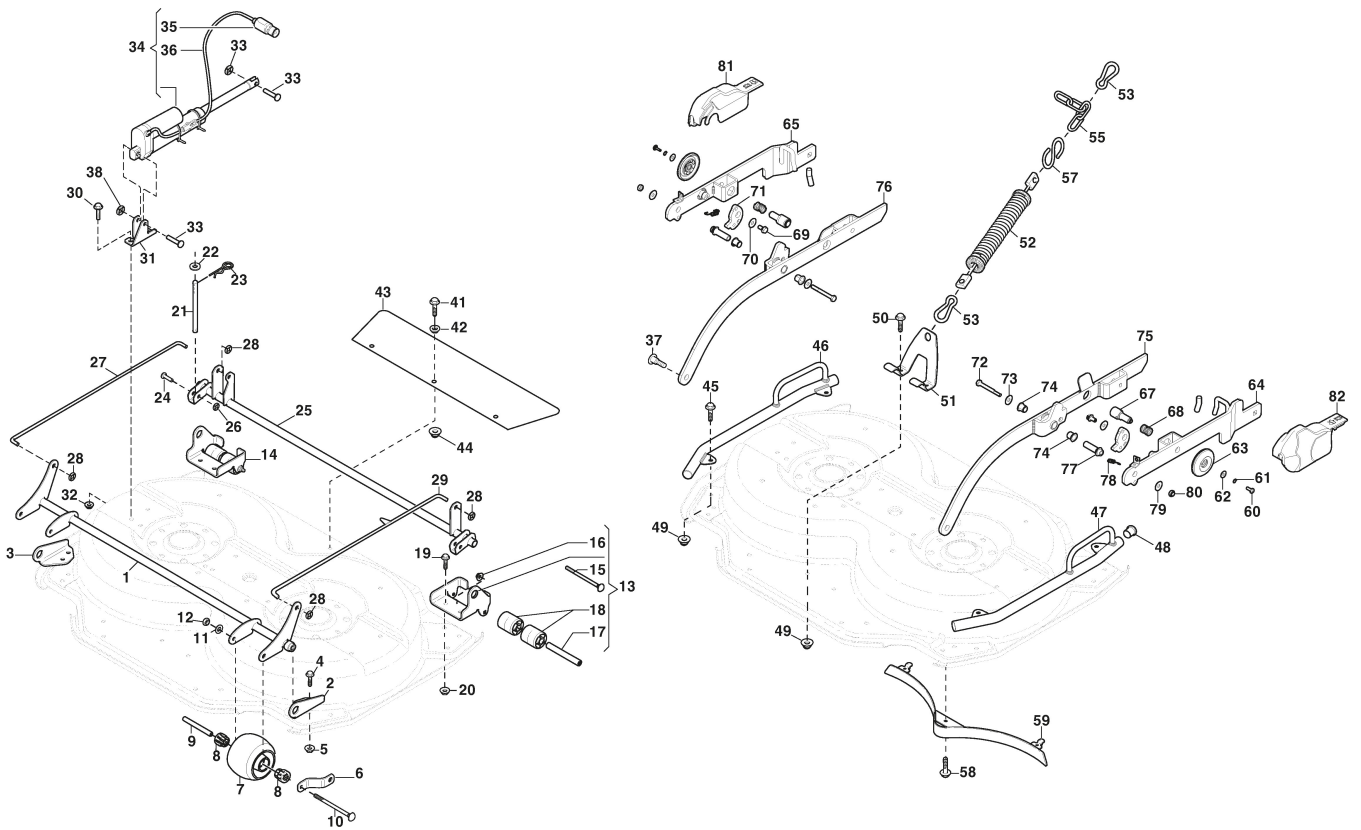
- Use ST. S.p.A. Genuine Spare Parts specified in the parts list for repair and/or replacement.
- The contents described in the parts list may change due to improvement.
- The drawings of the spare parts are only indicative And might Not represent the part in question exactly.
- The indications "right" - "left" - "front" - "rear" refer to the position of the operator when using the machine.
- When placing orders of parts for repair And/Or replacement, make sure that the illustrated parts list Is the one applying to the machine's year of manufacture, as shown on the identification plate attached to the machine.

All rights reserved. No part Of this material may be reproduced Or transmitted, in any form Or by any means, electronic Or mechanical, including photocopying, recording Or by any information storage And retrieval system, without permission in writing from ST. S.p.A.



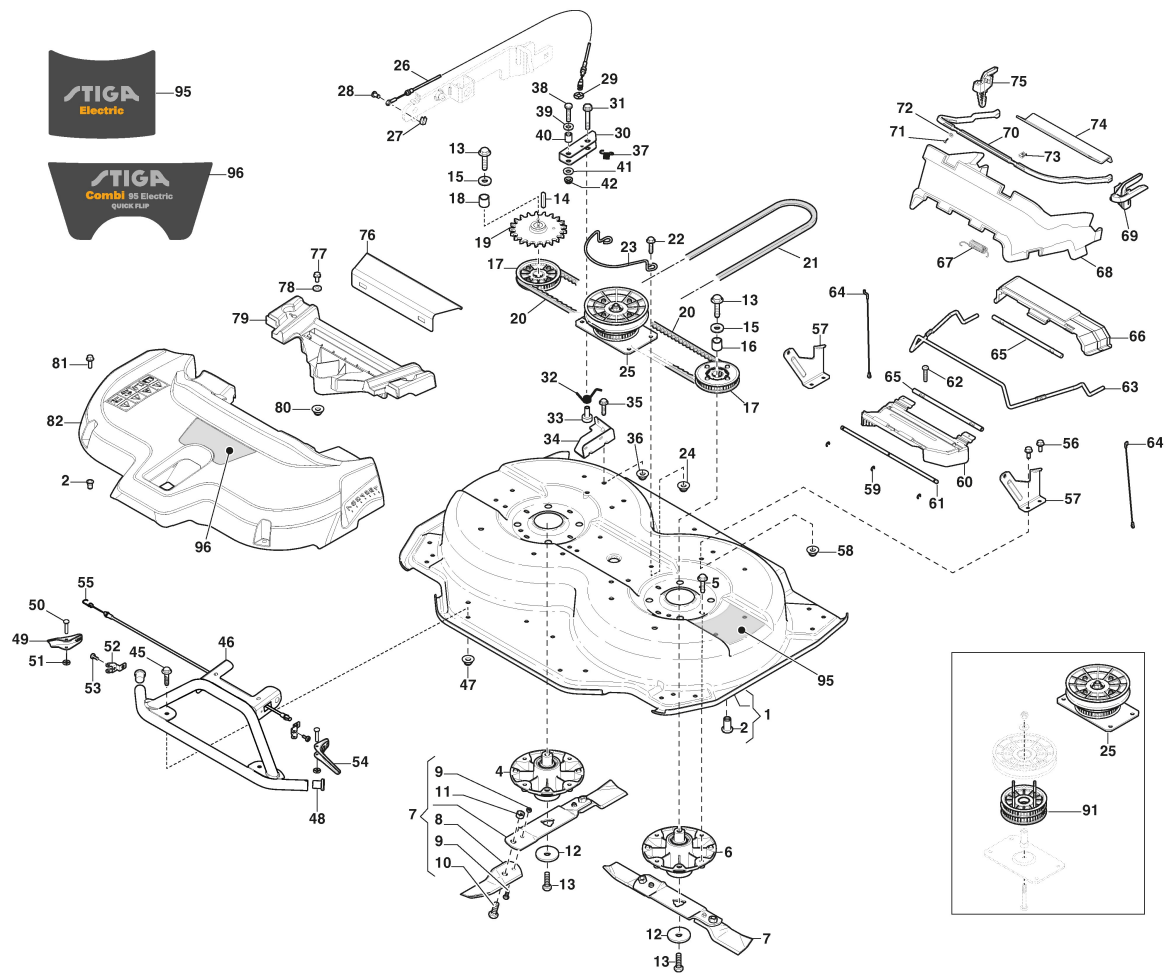
## Controls

Ref.nr.	Antal	Komponentkode	Beskrivelse	Noter	From	Op til
1	1	1134-6275-01	Front Axle-Yellow			
2	1	1134-6214-01	Bracket Front-Lh (Yellow)			
3	1	1134-6214-02	Bracket Front-Rh (Yellow)			
4	4	112800815/0	Screw			
5	4	112154220/0	Nut			
6	2	387318275/0	Guide-Grey			
7	2	1134-4284-01	Wheel			
8	4	1134-4319-01	Bearing			
9	2	1134-4318-01	Wheel Axle			
10	2	9897-0813-02	Screw			
11	2	9699-0028-02	Washer			
12	2	112155000/0	Nut			
13	1	1134-6282-01	Roller-Lh W.Bracket			
14	1	1134-6282-02	Roller-Rh W.Bracket			
15	2	9897-0813-02	Screw			
16	2	9739-0831-22	Nut			
17	2	1134-4318-01	Wheel Axle			
18	1	1134-9126-01	Support Rollers			
19	4	112800815/0	Screw			
20	4	112154220/0	Nut			
21	2	1134-6198-01	Stud			
22	2	9699-0104-02	Washer			
23	2	9598-2001-02	Spring Pin			
24	2	9646-0098-22	Rivet			
25	1	1134-6197-01	Rear Axle-Yellow			
26	2	112604899/0	Crown Fastener			
27	1	1134-6246-02	Push Rod, Right			
28	4	112604903/0	Washer			
29	1	387000315/0	Push Rod, Left		From S/N 19JA1FMC 000311	
30	2	112800815/0	Screw			
31	1	1134-6192-01	Bracket			
32	2	112154220/0	Nut			
33	2	9646-0098-22	Rivet			
34	1	118001004/1	Electric Lifter			
35	1	1134-6182-01	Male Terminal			
36	1	387149301/0	Cable			
37	2	1134-6279-01	Shoulder Bolt			
38	2	112604899/0	Crown Fastener			
41	3	112800815/0	Screw			
42	3	1134-4185-01	Flange Washer			
43	1	1134-6281-02	Rubber Guard			
44	3	112154220/0	Nut			
45	4	112800815/0	Screw			
46	1	387869537/0	Side Guard Tube-Grey 95C		From S/N 19JA1FMC	
47	1	387869539/0	Side Guard Tube-Grey 95C		From S/N 19JA1FMC 000311	
48	2	9403-0025-80	End Plug, Grey			
49	6	112154220/0	Nut			
50	2	112800815/0	Screw			



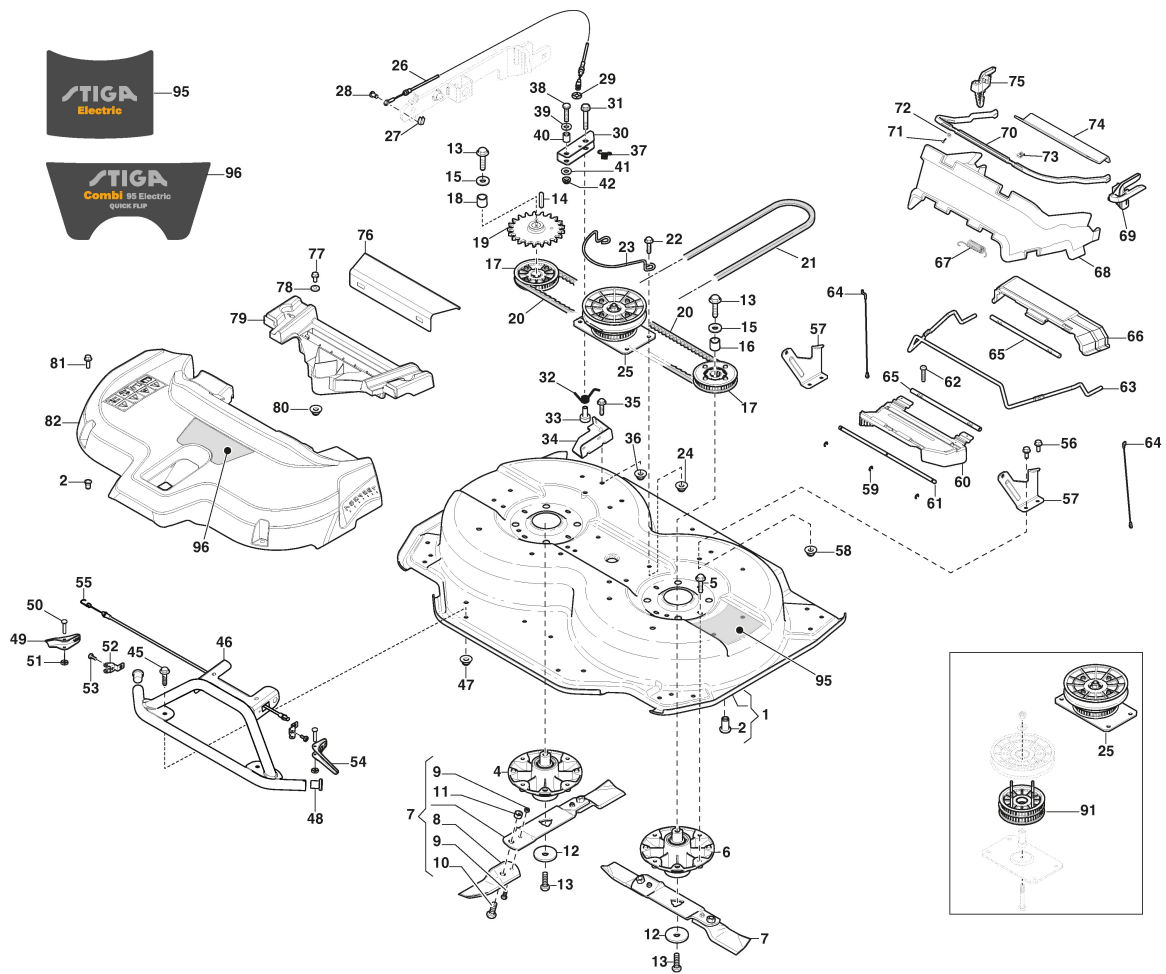
## Controls

Ref.nr.	Antal	Komponentkode	Beskrivelse	Noter	From	Op til
51	1	387773535/0	Lift Bracket-Grey			
52	1	387432006/0	Lift Spring Assy			
53	2	1134-5528-01	Snap Hook			
55	1	1134-6368-01	Chain			
57	1	1134-4623-01	S-Hook			
58	1	9959-0820-16	Screw			
59	1	1134-6229-01	Mulch Plug 95C			
60	2	112727802/0	Screw			
61	2	112582101/0	Grower			
62	2	112523040/0	Washer			
63	2	337394207/0	Knob			
64	1	387773573/0	Bracket		From S/N 19JA1FMC 000323	
65	1	387773571/0	Bracket		From S/N 19JA1FMC 000323	
67	2	137510306/0	Pin			
68	2	137430104/0	Spring			
69	2	112800815/0	Screw			
70	2	112523060/0	Washer			
71	2	337022757/0	Spike		From S/N 19JA1FMC 000311	
72	2	112691600/0	Screw			
73	2	112523060/0	Washer			
74	4	137038011/0	Bushing			
75	1	387106287/0	Cutting Deck Arm Assy Lh		From S/N 19JA1FMC 000311	
76	1	387106285/0	Cutting Deck Arm Assy Rh		From S/N 19JA1FMC 000311	
77	2	137510334/0	Pin		From S/N 19JA1FMC 000311	
78	2	137430113/0	Spring			
79	2	112523060/0	Washer			
80	2	112155000/0	Nut			
81	1	337600049/0	Guard		From S/N 19JA1FMC 000311	
82	1	337600050/0	Guard		From S/N 19JA1FMC 000311	



# Transmission and Blades

Ref.nr.	Antal	Komponentkode	Beskrivelse	Noter	From	Op til
1	1	387561501/1	Casing-Yellow 95C			
2	5	1134-5595-01	Nut			
4	1	387203001/0	Shaft Flange Assy			
5	8	9945-0825-16	Screw			
6	1	387203000/0	Shaft Flange Assy			
7	1	1134-9117-01	Blade Bar Assy (95C)			
8	1	1134-9119-01	Blade Kit Assy			
9	1	1134-9054-01	Shear Bolt Kit			
10	4	1134-6311-01	Bolt			
11	4	1134-6312-01	Nut			
12	2	1134-6211-01	Washer			
13	4	112692395/2	Screw			
14	1	9600-0171-01	Key			
15	2	1134-5406-01	Washer			
16	1	1134-5400-04	Spacer			
17	1	1134-9127-01	Toothed Belt Pulley			
18	1	1134-5400-05	Spacer		From S/N 19JA1FMC	
19	1	387178803/0	Brake Disc		From S/N 000911...	
20	2	1134-9198-02	Forstærket Tandrem			
21	1	1134-9147-01	V-Belt			
21	1	1134-9148-01	V-Belt			
21	1	9585-0197-01	V-Belt	Replaced by Service Code: 1134-9147-01		
21	1	9585-0198-01	V-Belt	Replaced by Service Code: 1134-9148-01		
22	4	9959-0820-16	Screw			
23	1	1134-6431-01	Belt Guide			
24	4	112154220/0	Nut			
25	1	387605029/0	Pulley			
26	1	187000216/0	Cable		From S/N 19JA1FMC	
27	1	112436050/0	Plate			
28	1	125510048/1	Pin			
29	1	112604896/0	Crown Fastener			
30	1	337315009/0	Brake Lever			
31	1	9960-0860-12	Screw			
32	1	137430111/0	Spring			
33	1	137510326/0	Pin			
34	1	337785043/1	Support			
35	1	9959-0820-16	Screw			
36	2	112155015/0	Nut			
37	1	137430112/1	Spring			
38	1	112691120/0	Screw			
39	1	112523060/0	Washer			
40	1	1134-1565-04	Spacer			
41	1	112523060/0	Washer			
42	1	112155015/0	Nut			
45	2	112800815/0	Screw			
46	1	387869279/0	Front Guard Tube-Grey		From S/N 19JA1FMC	
47	2	112154220/0	Nut			





# Transmission and Blades

Ref.nr.	Antal	Komponentkode	Beskrivelse	Noter	From	Op til
48	2	9403-0025-80	End Plug, Grey			
49	1	337315011/0	Lever			
50	2	112400031/0	Pin			
51	2	112604897/0	Elastic Washer			
52	2	337785055/0	Support			
53	2	9893-0616-16	Screw			
54	1	337315010/0	Lever			
55	2	187000215/0	Cable		From S/N 19JA1FMC 000299	
56	4	112800815/0	Screw			
57	2	387773577/0	Clamp		From S/N 19JA1FMC 000311	
58	4	112154220/0	Nut			
59	2	112000930/0	Benzing Ring			
60	1	337060046/0	Belt cover		From S/N 19JA1FMC 000311	
61	1	137294107/0	Belt Guide		From S/N 19JA1FMC 000311	
62	2	112728696/0	Screw			
63	1	137785059/0	Support			
64	2	187000220/0	Cable		From S/N 19JA1FMC 000311	
65	2	1137-1090-01	Pin			
66	1	337060032/0	Protection Cover			
67	2	137430118/0	Spring		From S/N 19JA1FMC 000311	
68	1	137798001/0	Fabric Guard			
69	1	337033021/0	Hook			
70	1	337785062/0	Support			
73	2	112437509/0	Plate			
74	1	387785239/0	Support Ass.Y		From S/N 19JA1FMC 000311	
75	1	337033020/0	Hook			
76	1	1134-6103-01	Wear Protection			
76	2	125943011/0	Screw			
77	2	112604899/0	Crown Fastener			
77	1	112800815/0	Screw			
78	1	1134-4185-01	Flange Washer			
79	1	337060045/0	Belt cover		From S/N 19JA1FMC 000311	
80	1	112154220/0	Nut			
81	4	9945-0825-16	Screw			
82	1	387106368/0	Belt cover		From S/N 19JA1FMC 000311	
91	1	387605027/0	Pulley			
95	1	114368564/1	Label Stiga Electric			
96	1	114371432/1	Label Combi 95 Electric		From S/N 20AA1FMC 000001	