

STIGA

Deck 100 Combi 3 EL (2016)

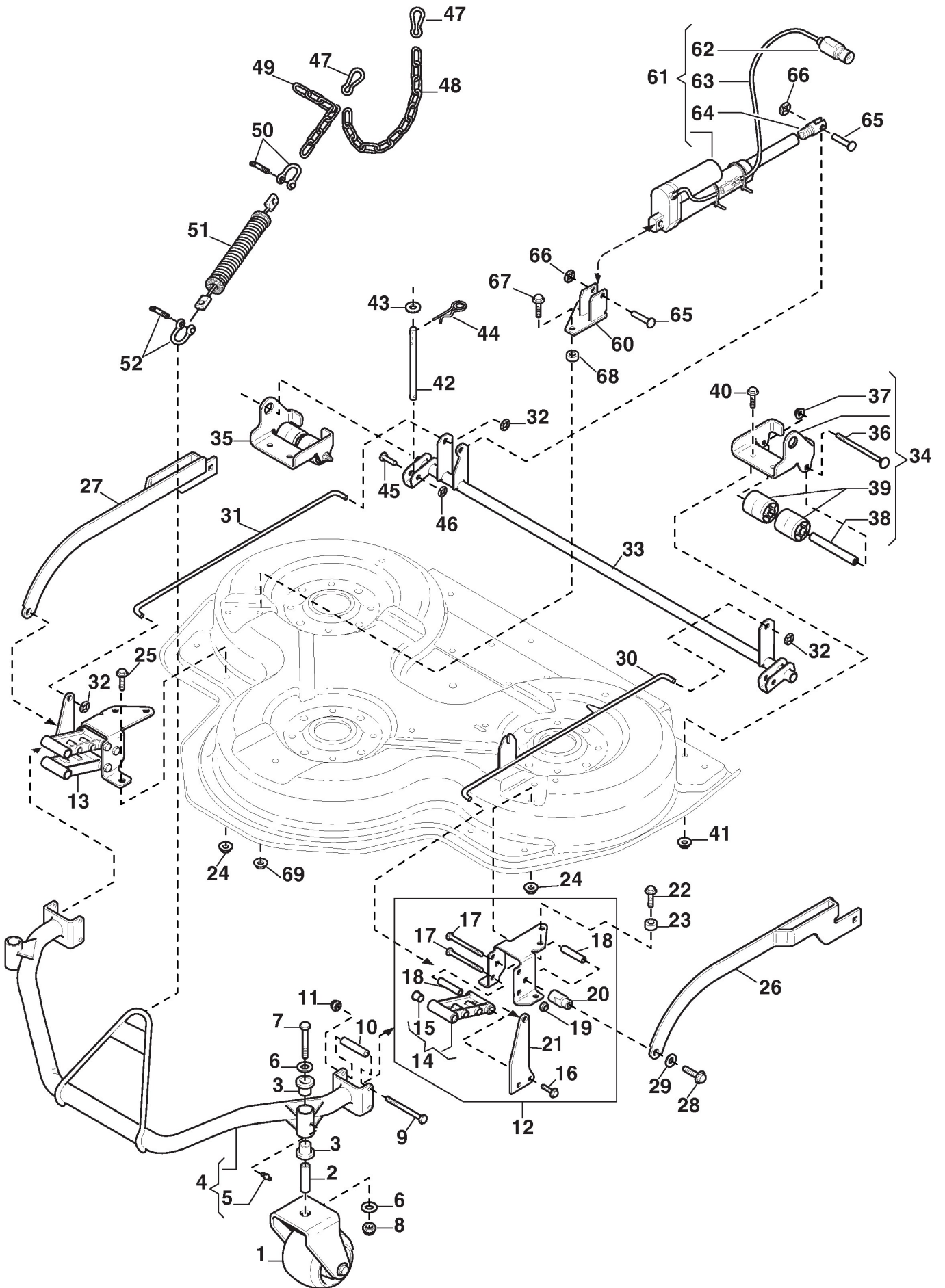
2D6210021/S16



Spare parts list Reservdelar Repuestos Ersatzteile Pièces détachées Reserve onderdelen Catalogo ricambi

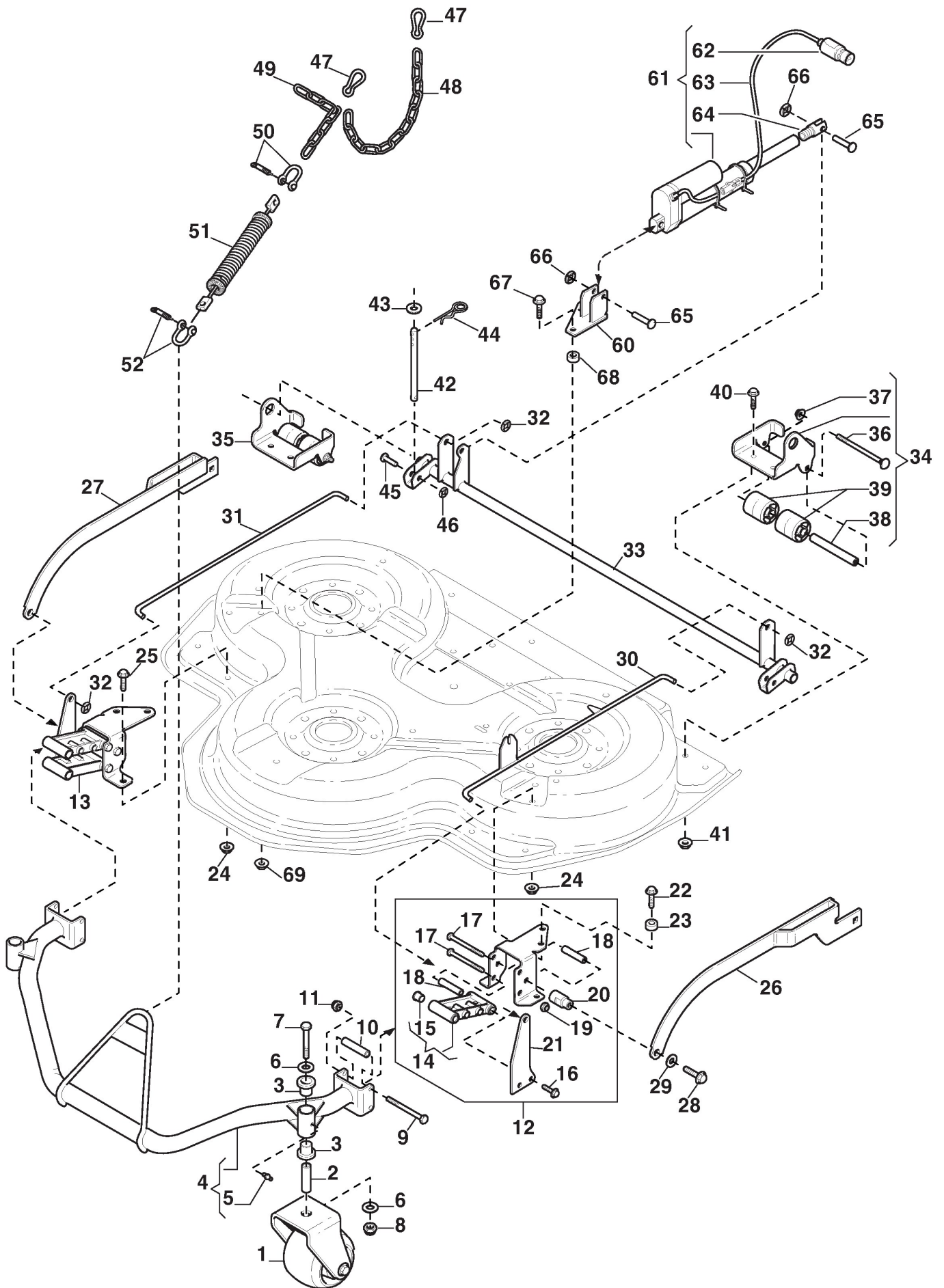
- Use ST. S.p.A. Genuine Spare Parts specified in the parts list for repair and/or replacement.
- The contents described in the parts list may change due to improvement.
- The drawings of the spare parts are only indicative And might Not represent the part in question exactly.
- The indications "right" - "left" - "front" - "rear" refer to the position of the operator when using the machine.
- When placing orders of parts for repair And/Or replacement, make sure that the illustrated parts list Is the one applying to the machine's year of manufacture, as shown on the identification plate attached to the machine.

All rights reserved. No part Of this material may be reproduced Or transmitted, in any form Or by any means, electronic Or mechanical, including photocopying, recording Or by any information storage And retrieval system, without permission in writing from ST. S.p.A.



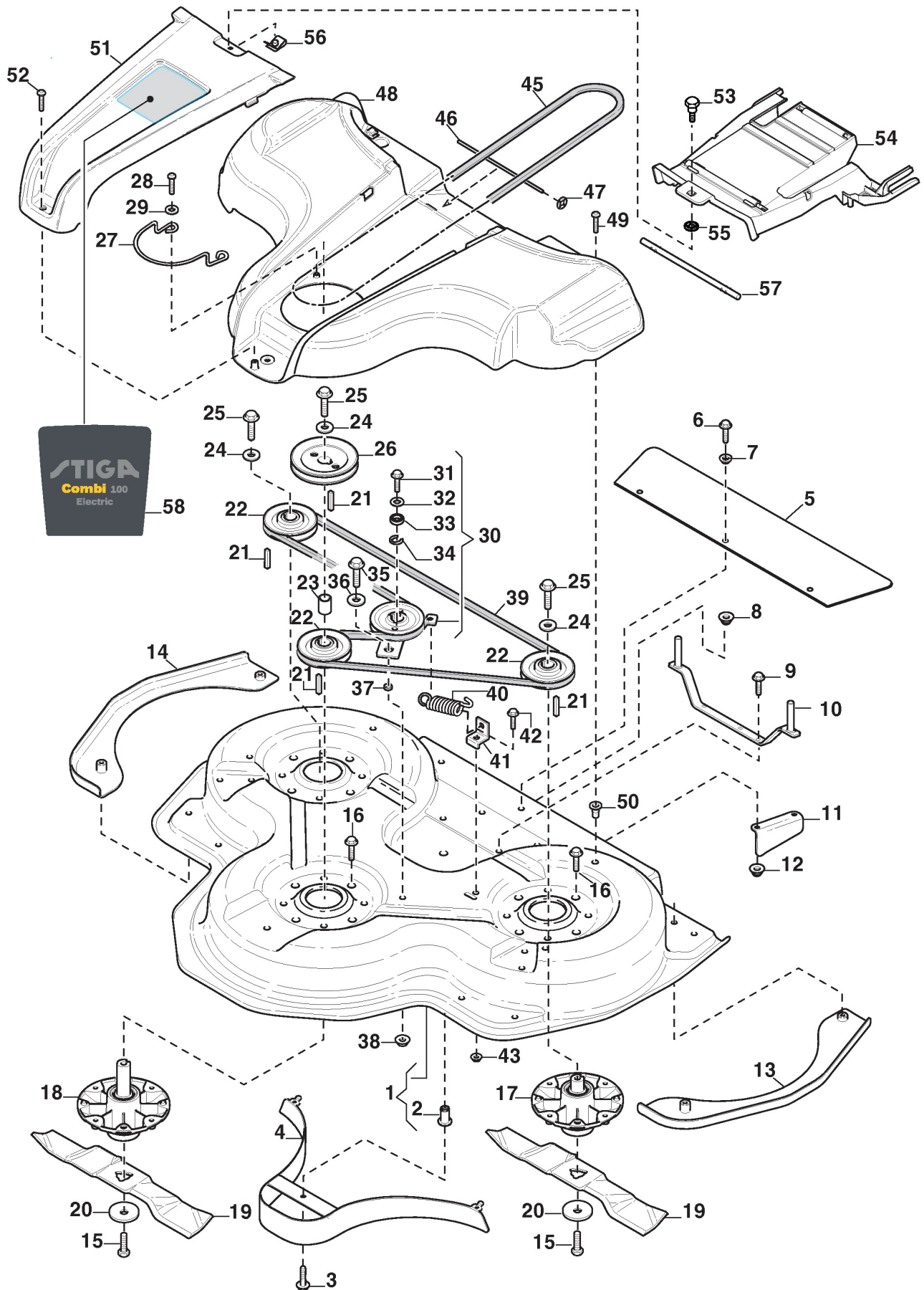
Controls

| Ref.nr. | Antal | Komponentkode | Beskrivelse | Noter | From | Op til |
|---------|-------|---------------|--------------------------|--------------------|------|--------|
| 1 | 2 | 1134-5884-01 | Pivot Wheel Assy | | | |
| 2 | 2 | 1134-5677-01 | Spacer | | | |
| 3 | 4 | 137038009/0 | Bushing | | | |
| 4 | 1 | 387869265/0 | Front Tube Assy | | | |
| 5 | 2 | 112379511/0 | Grease Dispenser | | | |
| 6 | 4 | 9699-0030-02 | Washer | | | |
| 7 | 2 | 9997-1090-12 | Screw | | | |
| 8 | 2 | 112156602/0 | Nut | | | |
| 9 | 4 | 9997-0880-16 | Screw | | | |
| 10 | 4 | 1137-0151-01 | Shaft | | | |
| 11 | 4 | 112155000/0 | Nut | | | |
| 12 | 1 | 387001015/0 | Linkage Assy L | Inkl. pos 14 - 21 | | |
| 13 | 1 | 387001013/0 | Linkage Assy R | Inkl. pos 14 - 21 | | |
| 14 | 2 | 1137-0199-01 | Slewing Bracket Assy | Inkl. pos 15 | | |
| 15 | 1 | 1134-9155-01 | Bushing | Sats 8 st/kit of 8 | | |
| 16 | 2 | 9997-0820-16 | Screw | | | |
| 17 | 3 | 9997-0880-16 | Screw | | | |
| 18 | 3 | 1137-0151-01 | Shaft | | | |
| 19 | 2 | 112155000/0 | Nut | | | |
| 20 | 1 | 1137-0154-01 | Spacer | | | |
| 21 | 1 | 1137-0200-01 | Pivot Plate | | | |
| 22 | 1 | 112691115/0 | Screw | | | |
| 23 | 1 | 1137-0155-01 | Spacer | | | |
| 24 | 8 | 112154220/0 | Nut | | | |
| 25 | 8 | 112800815/0 | Screw | | | |
| 26 | 1 | 387106265/0 | Cutting Deck Arm Assy Lh | | | |
| 27 | 1 | 387106263/0 | Cutting Deck Arm Assy Rh | | | |
| 28 | 2 | 112800815/0 | Screw | | | |
| 29 | 1 | 112523060/0 | Washer | | | |
| 30 | 1 | 1137-0162-01 | Push Rod | | | |
| 31 | 1 | 1137-0160-01 | Push Rod | | | |
| 32 | 4 | 112604903/0 | Washer | | | |
| 33 | 1 | 1134-6197-01 | Rear Axle-Yellow | | | |
| 34 | 1 | 1134-6282-01 | Roller-Lh W.Bracket | Inkl. pos 36 - 39 | | |
| 35 | 1 | 1134-6282-02 | Roller-Rh W.Bracket | Inkl. pos 36 - 39 | | |
| 36 | 1 | 9897-0813-02 | Screw | | | |
| 37 | 1 | 112154220/0 | Nut | | | |
| 38 | 1 | 1134-4318-01 | Wheel Axle | | | |
| 39 | 1 | 1134-9126-01 | Support Rollers | Sats 2 st/kit of 2 | | |
| 40 | 4 | 112800815/0 | Screw | | | |
| 41 | 4 | 112154220/0 | Nut | | | |
| 42 | 2 | 1134-6198-01 | Stud | | | |
| 43 | 2 | 9699-0104-02 | Washer | | | |
| 44 | 2 | 9598-2001-02 | Spring Pin | | | |
| 45 | 2 | 9646-0098-22 | Rivet | | | |
| 46 | 2 | 112604899/0 | Crown Fastener | | | |
| 47 | 2 | 1134-5528-01 | Snap Hook | | | |
| 48 | 1 | 1134-6368-03 | Chain | 12 links | | |



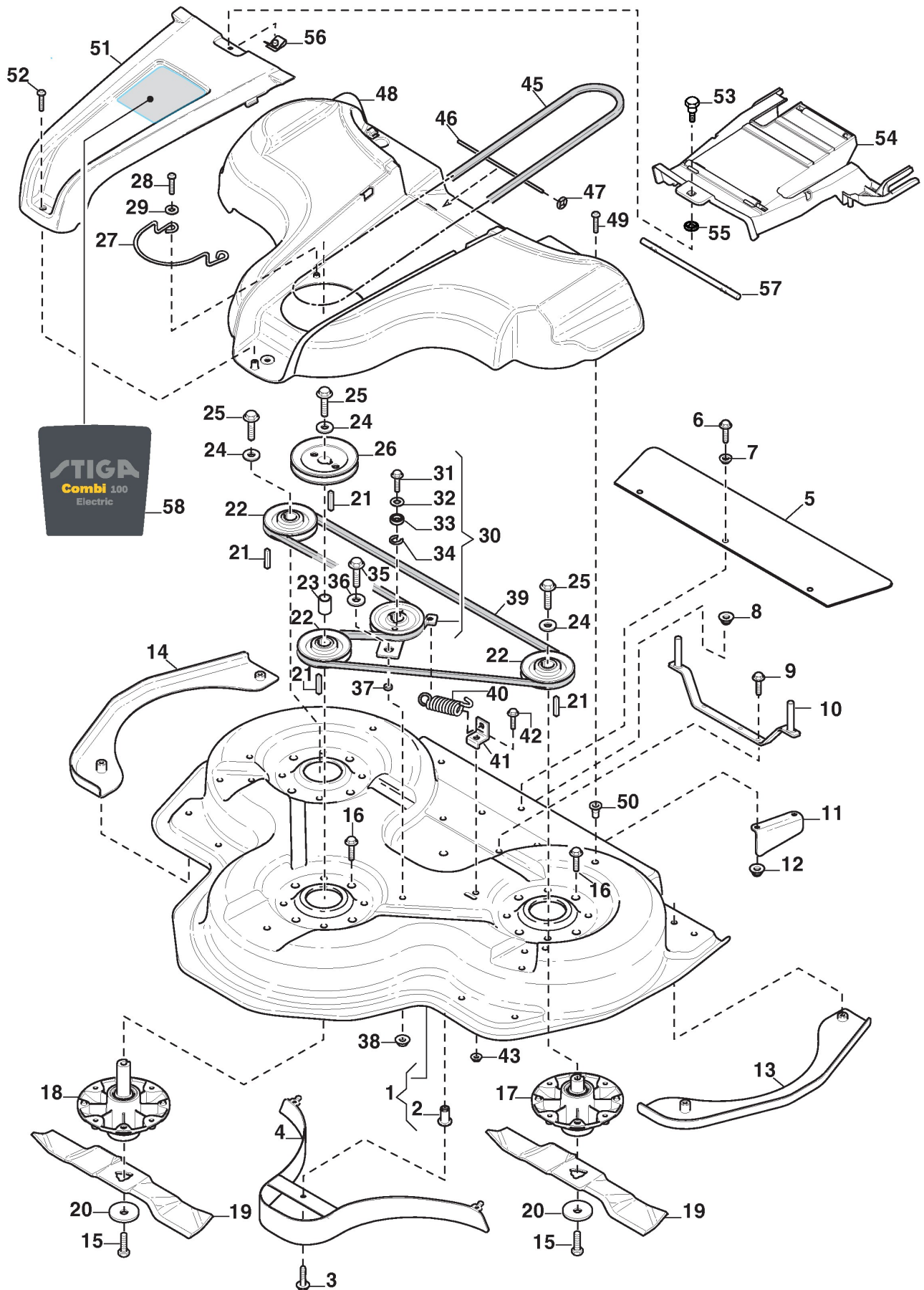
Controls

| Ref.nr. | Antal | Komponentkode | Beskrivelse | Noter | From | Op til |
|---------|-------|---------------|-----------------|------------|------|--------|
| 49 | 1 | 1134-6368-02 | Chain | 7 links | | |
| 50 | 1 | 1134-2629-01 | Lift Link | | | |
| 51 | 1 | 1134-6365-02 | Spring | | | |
| 52 | 1 | 1134-2629-01 | Lift Link | | | |
| 60 | 1 | 1137-0168-01 | Bracket Assy | | | |
| 61 | 1 | 1134-6417-01 | Electric Lifter | | | |
| 62 | 1 | 1134-6182-01 | Male Terminal | | | |
| 63 | 1 | 1134-6418-02 | Cable | L = 490 mm | | |
| 64 | 1 | 1134-6373-01 | Rod End | | | |
| 65 | 2 | 9646-0098-22 | Rivet | | | |
| 66 | 2 | 9675-0012-02 | Locking washer | | | |
| 67 | 1 | 112691115/0 | Screw | | | |
| 69 | 1 | 112154220/0 | Nut | | | |
| 69 | 1 | 1137-0155-01 | Spacer | | | |



Transmission and Blades

| Ref.nr. | Antal | Komponentkode | Beskrivelse | Noter | From | Op til |
|---------|-------|---------------|------------------------|--|------|--------|
| 1 | 1 | 1137-0140-01 | Cutting Deck | Inkl. pos 2 | | |
| 2 | 1 | 1134-5595-01 | Nut | | | |
| 3 | 1 | 9959-0820-16 | Screw | | | |
| 4 | 1 | 1137-0163-01 | Combi Plug Assy | | | |
| 5 | 1 | 1134-6281-03 | Rubber Guard | | | |
| 6 | 3 | 112800815/0 | Screw | | | |
| 7 | 3 | 1134-4185-01 | Flange Washer | | | |
| 8 | 3 | 112154220/0 | Nut | | | |
| 9 | 4 | 9945-0825-16 | Screw | | | |
| 10 | 1 | 1137-1084-01 | Bracket | | | |
| 11 | 2 | 1137-0244-01 | Guide Plate | | | |
| 12 | 4 | 112154220/0 | Nut | | | |
| 13 | 1 | 387603361/0 | Wear Protection Assy | | | |
| 14 | 1 | 387603359/0 | Wear Protection Assy | | | |
| 15 | 3 | 112692395/1 | Screw | | | |
| 16 | 12 | 9945-0825-16 | Screw | | | |
| 17 | 2 | 1134-5831-01 | Bearing Box Assy | | | |
| 18 | 1 | 1134-5831-02 | Bearing Box Assy | | | |
| 19 | 1 | 1134-9158-01 | Blade Kit (100 Combi3) | Sats 3 st/kit of 3 | | |
| 20 | 3 | 1134-6211-01 | Washer | | | |
| 21 | 4 | 9600-0171-01 | Key | | | |
| 22 | 3 | 1137-0015-01 | Pulley | | | |
| 23 | 1 | 1134-5400-03 | Spacer | | | |
| 24 | 3 | 1134-5406-01 | Washer | | | |
| 25 | 3 | 112692395/1 | Screw | | | |
| 26 | 1 | 1137-0016-01 | Pulley | D = 140 mm | | |
| 27 | 1 | 1137-0158-01 | Belt Guide | | | |
| 28 | 2 | 112728697/0 | Screw | | | |
| 29 | 2 | 9699-0087-02 | Washer | | | |
| 30 | 1 | 1134-7611-01 | Tension Roller Assy | Inkl. pos 31 - 34 | | |
| 31 | 1 | 9945-0816-16 | Screw | | | |
| 32 | 1 | 112523060/0 | Washer | | | |
| 33 | 1 | 9549-0061-01 | Bearing | | | |
| 34 | 1 | 9651-0035-04 | Circlip | | | |
| 35 | 1 | 112800815/0 | Screw | | | |
| 36 | 1 | 9699-0109-02 | Washer | | | |
| 37 | 1 | 1134-7618-01 | Spacer | | | |
| 38 | 1 | 112154220/0 | Nut | | | |
| 39 | 1 | 1134-9066-01 | V-Belt | (belt identification 9585-0125-01) | | |
| 39 | 1 | 9585-0125-01 | Drive Belt | Replaced by Service Code: 1134-9066-01 | | |
| 40 | 1 | 1134-0327-00 | Spring | | | |
| 41 | 1 | 1134-5415-01 | Spring | | | |
| 42 | 1 | 112800815/0 | Screw | | | |
| 43 | 1 | 112154220/0 | Nut | | | |
| 45 | 1 | 1134-9156-01 | V-Belt | 2WD models (belt identification 9585-0205-01) | | |
| 45 | 1 | 1134-9157-01 | V-Belt | 4WD models (belt identification 9585-0206-01) | | |



Transmission and Blades

| Ref.nr. | Antal | Komponentkode | Beskrivelse | Noter | From | Op til |
|---------|-------|---------------|--------------------------|---|------|--------|
| 45 | 1 | 9585-0205-01 | V-Belt | Replaced by Service Code: 1134-9156-01 | | |
| 45 | 1 | 9585-0206-01 | V-Belt | Replaced by Service Code: 1134-9157-01 | | |
| 46 | 1 | 1137-0171-01 | Rod | | | |
| 47 | 2 | 112604896/0 | Crown Fastener | | | |
| 48 | 1 | 337060023/0 | Belt cover | | | |
| 49 | 3 | 9945-0825-16 | Screw | | | |
| 50 | 3 | 1134-5595-01 | Nut | | | |
| 51 | 1 | 1137-0157-02 | Cover | | | |
| 52 | 1 | 112728697/0 | Screw | | | |
| 53 | 1 | 1134-0240-00 | Screw | | | |
| 54 | 1 | 337600002/0 | Belt cover | | | |
| 55 | 1 | 9675-0016-02 | Starlock | | | |
| 56 | 1 | 1134-4620-02 | Nut | | | |
| 57 | 1 | 1137-1090-01 | Pin | | | |
| 58 | 1 | 114368550/0 | Label Combi 100 Electric | | | |