

STIGA

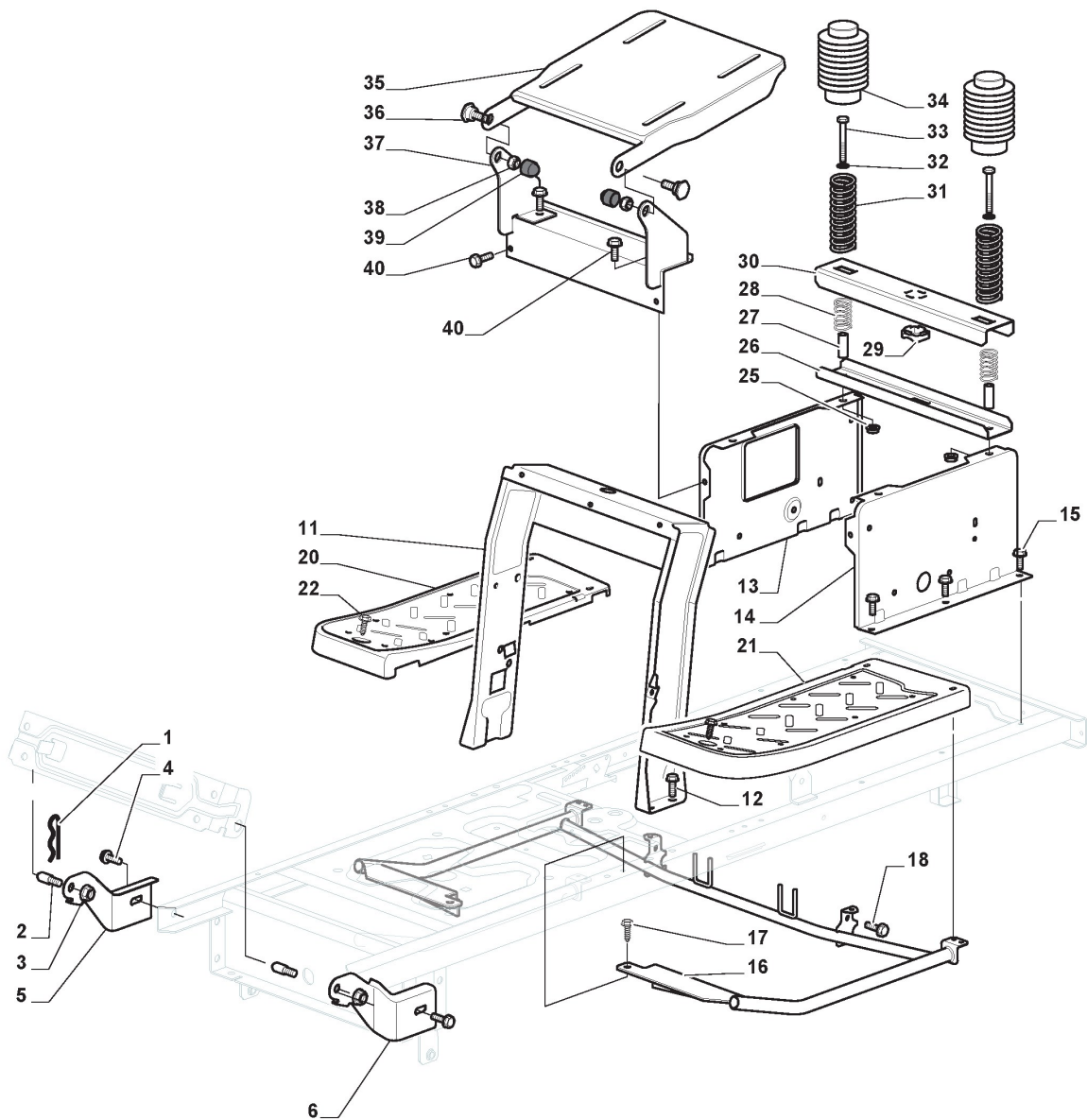
ESTATE GRAND TORNADO (2011)

2T1210381/11

Spare parts list **Reservdelar** **Repuestos** **Ersatzteile** **Pièces détachées** **Reserve onderdelen** **Catalogo ricambi**

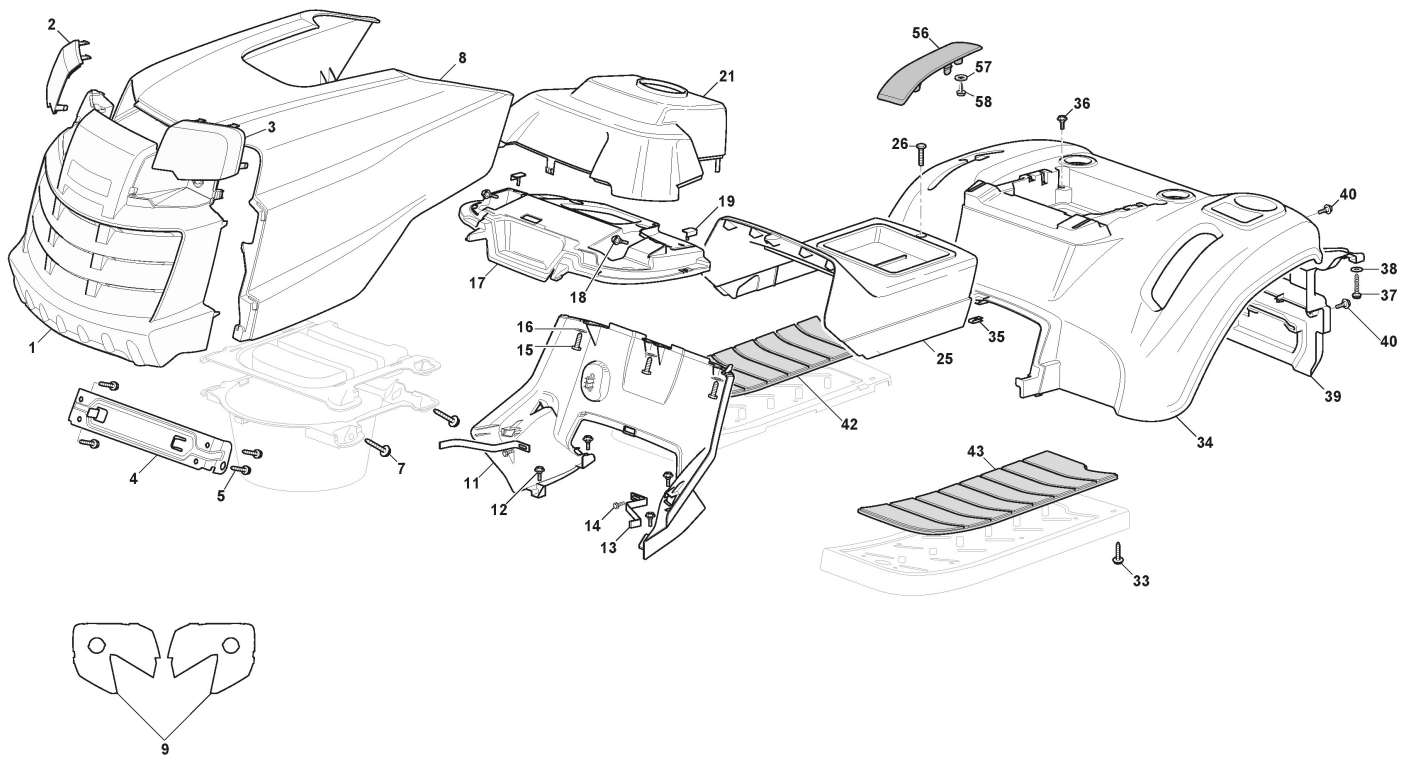
- Use ST. S.p.A. Genuine Spare Parts specified in the parts list for repair and/or replacement.
- The contents described in the parts list may change due to improvement.
- The drawings of the spare parts are only indicative And might Not represent the part in question exactly.
- The indications "right" - "left" - "front" - "rear" refer to the position of the operator when using the machine.
- When placing orders of parts for repair And/Or replacement, make sure that the illustrated parts list Is the one applying to the machine's year of manufacture, as shown on the identification plate attached to the machine.

All rights reserved. No part Of this material may be reproduced Or transmitted, in any form Or by any means, electronic Or mechanical, including photocopying, recording Or by any information storage And retrieval system, without permission in writing from ST. S.p.A.



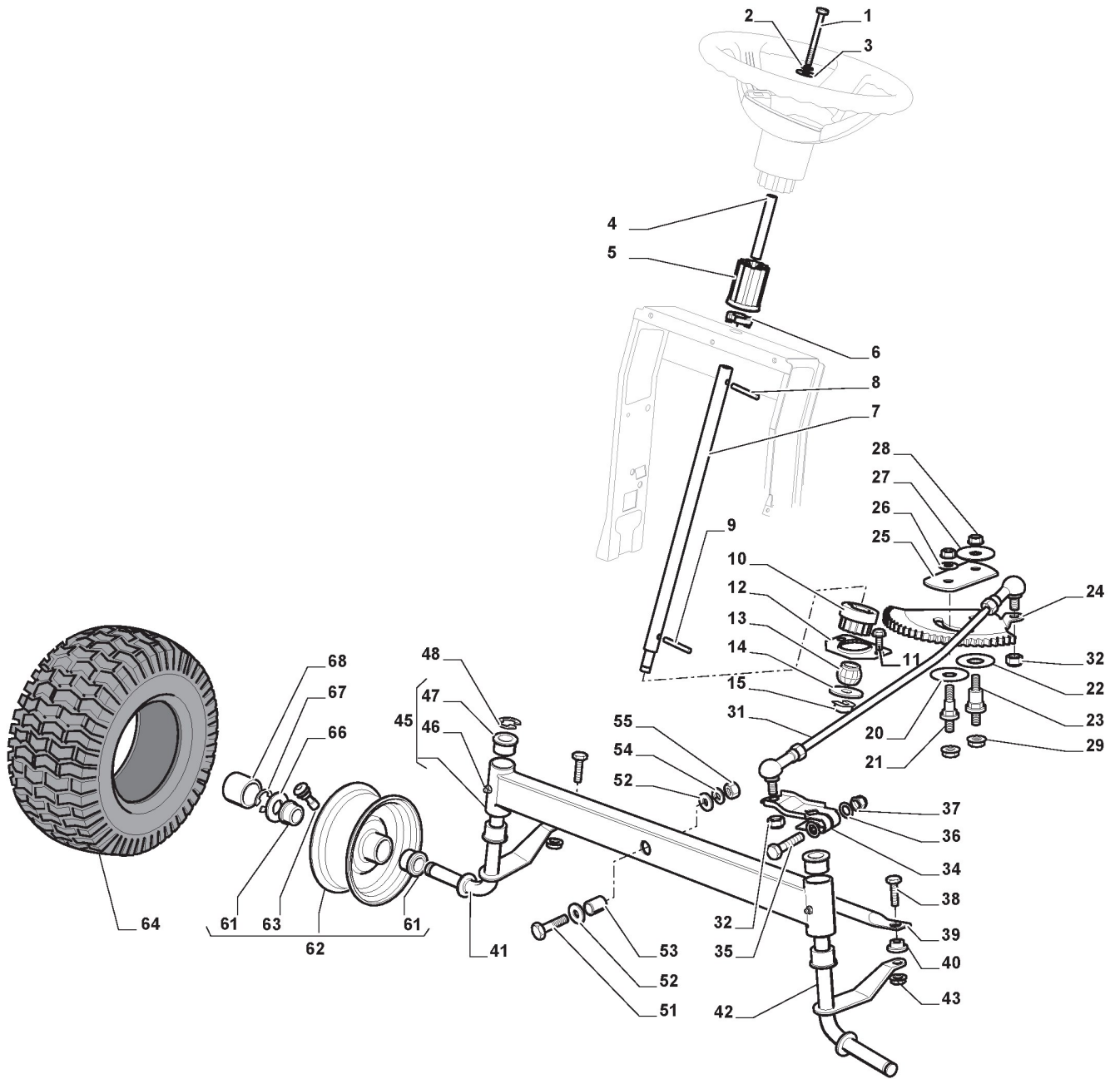
Chassis

| Ref.nr. | Antal | Komponentkode | Beskrivelse | Noter | From | Op til |
|---------|-------|---------------|-------------------------|-------|------|-------------------|
| 1 | 1 | 124487998/0 | Cotter Pin | | | |
| 2 | 2 | 125510079/0 | Pin | | | |
| 3 | 2 | 112154210/0 | Nut | | | |
| 4 | 2 | 112735599/0 | Screw | | | |
| 5 | 1 | 325547225/0 | Right Plate | | | |
| 6 | 1 | 325547227/0 | Left Plate | | | |
| 11 | 1 | 382785169/1 | Steering Column Support | | | |
| 12 | 4 | 125943009/0 | Screw | | | |
| 13 | 1 | 325785331/0 | Right Seat Support | | | To |
| 13 | 1 | 325785331/1 | Right Seat Support | | From | 31-August-2011 |
| 14 | 1 | 325785333/0 | Left Seat Support | | | To |
| 14 | 1 | 325785333/1 | Left Seat Support | | From | 31-August-2011 |
| 15 | 6 | 125943009/0 | Screw | | | |
| 16 | 1 | 382785179/0 | Footboard Support | | | |
| 17 | 2 | 125943009/0 | Screw | | | |
| 18 | 2 | 125943009/0 | Screw | | | |
| 20 | 1 | 325500041/1 | Right Footboard | | | |
| 21 | 1 | 325500043/1 | Left Footboard | | | |
| 22 | 2 | 112735599/0 | Screw | | | |
| 25 | 2 | 112293201/0 | Nut | | | |
| 26 | 1 | 325820109/0 | Seat Support | | | To |
| 26 | 1 | 325820109/1 | Seat Support | | From | 31-August-2011 |
| 27 | 2 | 125160048/0 | Spacer | | | |
| 28 | 2 | 125430263/0 | Spring | | | |
| 29 | 1 | 325060038/0 | Cam | | | |
| 30 | 1 | 325820105/0 | Support | | | To |
| 30 | 1 | 325820105/1 | Support | | From | 01-September-2011 |
| 31 | 2 | 125430264/0 | Spring | | | |
| 32 | 2 | 112521350/0 | Washer | | | |
| 33 | 2 | 112691400/0 | Screw | | | |
| 34 | 2 | 325122002/0 | Hood | | | |
| 35 | 1 | 382547061/0 | Plate | | | |
| 36 | 2 | 122524970/2 | Fulcrum Pin | | | |
| 37 | 1 | 382820151/0 | Seat Support | | | |
| 38 | 2 | 112155010/0 | Nut | | | |
| 39 | 2 | 118203854/0 | Cap | | | |
| 40 | 4 | 125943009/0 | Screw | | | |



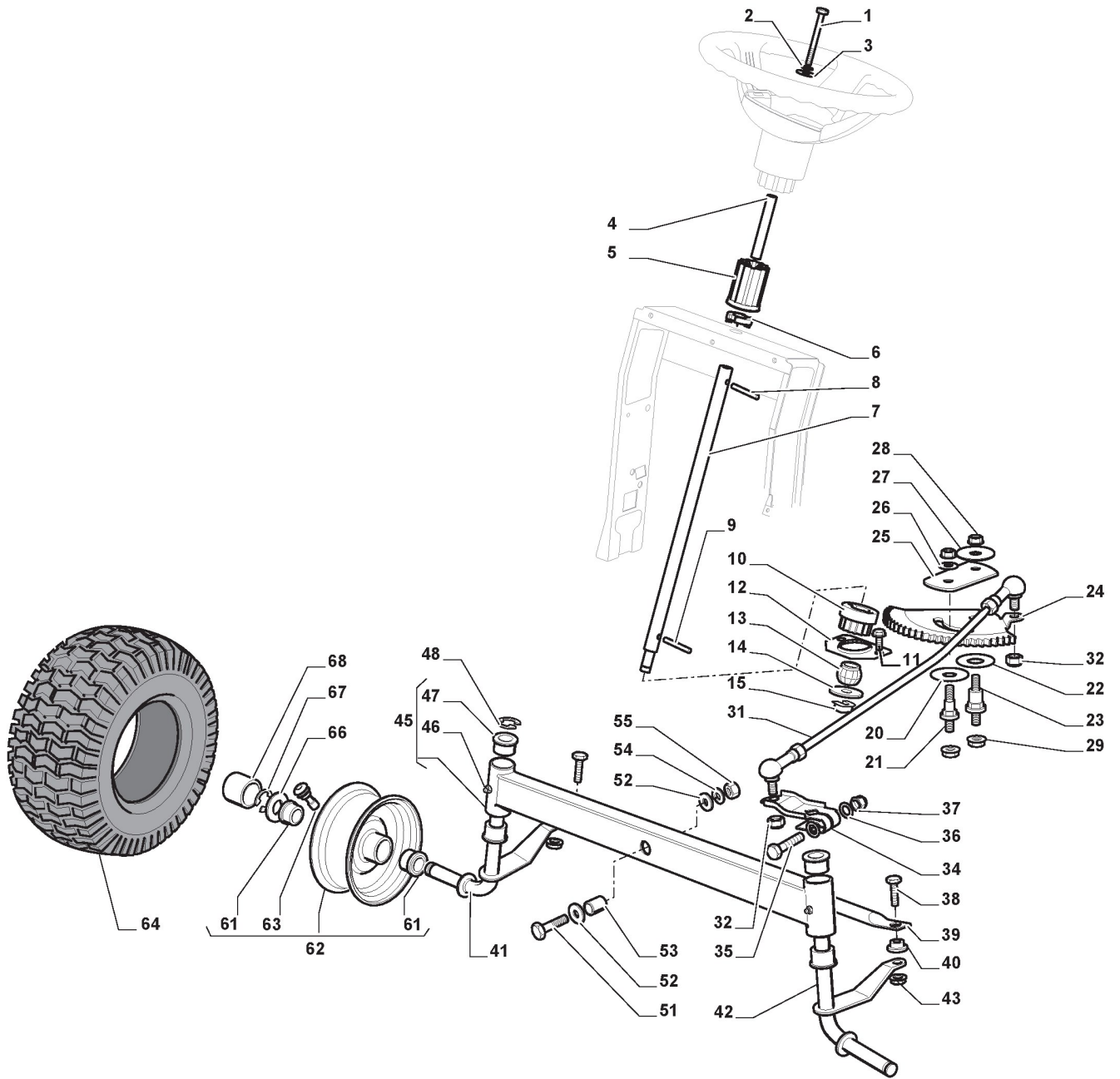
Body

| Ref.nr. | Antal | Komponentkode | Beskrivelse | Noter | From | Op til |
|---------|-------|---------------|-----------------------|---|-------------------|----------------|
| 1 | 1 | 325076914/0 | Hood, Front | Yellow | | |
| 1 | 1 | 325076922/0 | Hood, Front | Black | | |
| 2 | 1 | 325410903/0 | Right Grill | | | |
| 3 | 1 | 325410904/0 | Left Grill | | | |
| 4 | 1 | 325785365/0 | Engine Hood Support | | | |
| 5 | 4 | 112735403/0 | Screw | | | |
| 7 | 4 | 112728692/0 | Screw | | | |
| 8 | 1 | 325076912/0 | Engine Hood Yellow | Yellow | | To |
| 8 | 1 | 325076912/1 | Engine Hood Yellow | Yellow | From | |
| 8 | 1 | 325076913/0 | Engine Hood Black | Black | 01-September-2017 | |
| 9 | 1 | 114365477/0 | Light Reflected Label | | | To S/N |
| 9 | 1 | 114365477/1 | Light Reflected Label | | From S/N | 20GA3RON002229 |
| 11 | 1 | 325785298/0 | Dashboard Support | | | |
| 12 | 4 | 125943010/0 | Screw | | | |
| 13 | 2 | 325270325/0 | Guide | | | |
| 14 | 2 | 112735599/0 | Screw | | | |
| 15 | 3 | 112735406/0 | Screw | | | |
| 16 | 3 | 112523040/0 | Washer | | | |
| 17 | 1 | 325120202/1 | Dashboard | | | To |
| 17 | 1 | 325120209/0 | Dashboard | | From | 31-August-2011 |
| 17 | 1 | 325120259/0 | Dashboard | | From | To |
| 17 | 1 | 325120259/1 | Dashboard | | 01-September-2014 | 31-August-2015 |
| 17 | 1 | 325120259/2 | Dashboard | | From | |
| 18 | 2 | 125943010/0 | Screw | | 01-September-2017 | |
| 19 | 2 | 325260003/0 | Grommet | | | |
| 21 | 1 | 325120203/0 | Cover | | | |
| 25 | 1 | 325110396/1 | Central Cover, Yellow | Yellow | | To |
| 25 | 1 | 325110396/2 | Cover, Yellow | Yellow | From | 31-August-2017 |
| 25 | 1 | 325110397/1 | Black Central Cover | Black | | |
| 26 | 1 | 125943010/0 | Screw | | | |
| 33 | 4 | 112735406/0 | Screw | | | |
| 34 | 1 | 325110399/0 | Yellow Wheels Cover | Yellow | | To |
| 34 | 1 | 325110399/1 | Yellow Wheels Cover | Yellow | From | |
| 34 | 1 | 325110400/0 | Black Wheels Cover | Black | 01-September-2017 | |
| 35 | 1 | 112437506/0 | Plate | | | |
| 36 | 2 | 125943010/0 | Screw | | | |
| 37 | 2 | 112735406/0 | Screw | | | |
| 38 | 2 | 112523040/0 | Washer | | | |
| 39 | 1 | 325547208/1 | Plate | | | To |
| 39 | 1 | 325547208/2 | Plate | | From | 31-August-2013 |
| 40 | 2 | 125943010/0 | Screw | | | |
| 42 | 1 | 325110384/0 | Right Footboard Cover | As Optional - Not present on all assortment | | |
| 43 | 1 | 325110385/0 | Left Footboard Cover | As Optional - Not present on all assortment | | |
| 56 | 1 | 325207190/0 | Cover | Not needed for Gear Model | | |
| 57 | 4 | 112523050/0 | Washer | | | |
| 58 | 2 | 112735403/0 | Screw | | | |



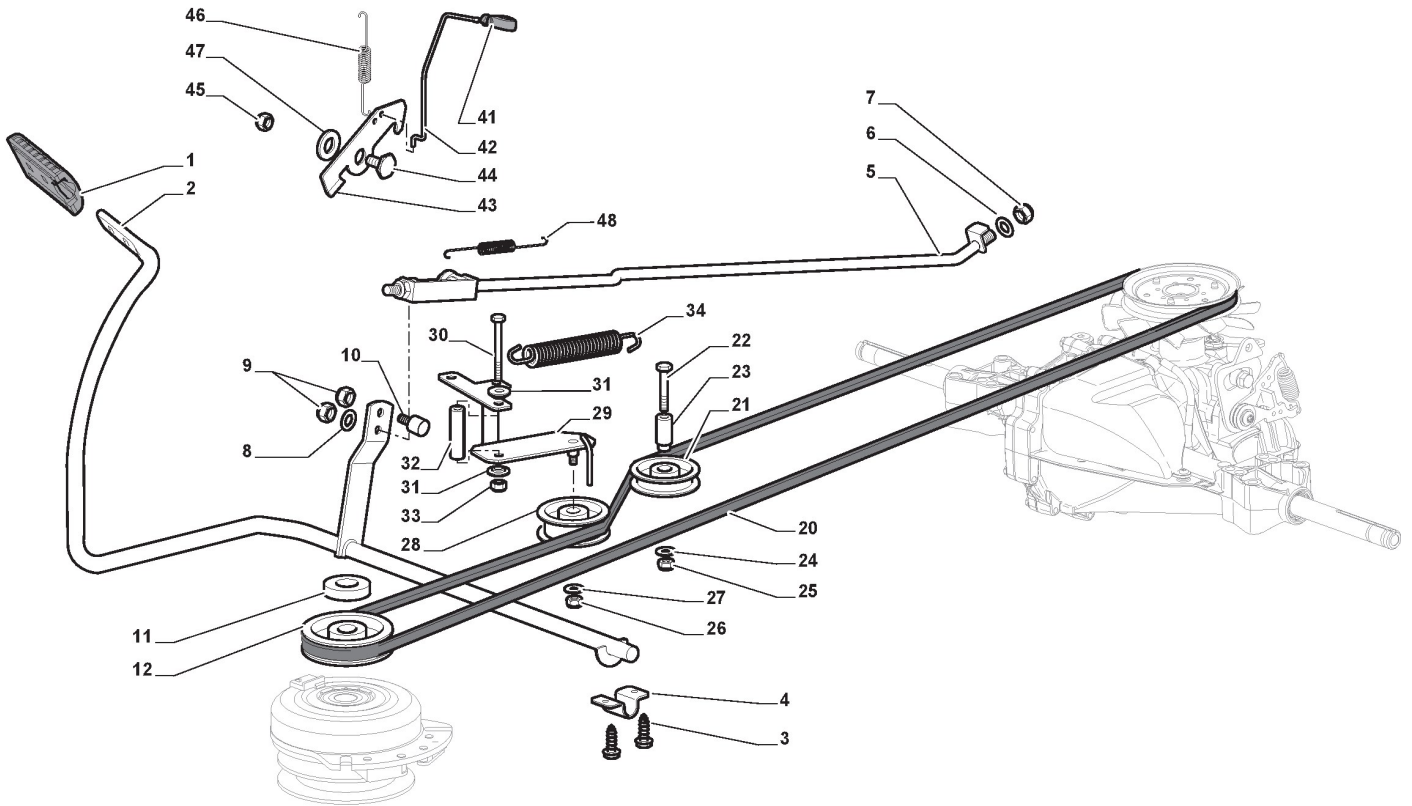
Steering

| Ref.nr. | Antal | Komponentkode | Beskrivelse | Noter | From | Op til |
|---------|-------|---------------|------------------------------------|-------|-----------|--------|
| 1 | 1 | 112692050/0 | Screw | | | |
| 2 | 1 | 112540260/0 | Washer | | | |
| 3 | 1 | 112523070/0 | Washer | | | |
| 4 | 1 | 125160047/0 | Spacer | | | |
| 5 | 1 | 325785318/0 | Support | | | |
| 6 | 1 | 325038008/0 | Bushing | | | |
| 7 | 1 | 125520007/0 | Steering Column | | | |
| 8 | 1 | 112620300/0 | Spring | | | |
| 9 | 1 | 112622650/0 | Dowel pin | | | |
| 10 | 1 | 125570003/0 | Pinion | | | |
| 11 | 2 | 127943051/0 | Screw | | | |
| 12 | 1 | 325785213/0 | Teering Joint Support | | | To |
| 12 | 1 | 325785213/1 | Support | | From | |
| 13 | 1 | 325743000/0 | Joint | | 01-Septem | |
| 14 | 1 | 112521370/0 | Washer | | ber-2010 | |
| 15 | 1 | 112436030/0 | Plate | | | |
| 20 | 1 | 322672151/0 | Antifriction Washer | | | |
| 21 | 1 | 125510104/0 | Pin | | | |
| 22 | 1 | 125670023/0 | Washer | | | |
| 23 | 1 | 125510109/0 | Pin | | | |
| 24 | 1 | 325735519/0 | Steering Sector | | | |
| 25 | 1 | 325547233/0 | Plate | | | |
| 26 | 1 | 112369500/0 | Elastic Washer | | | |
| 27 | 1 | 122160400/0 | Elastic Disc | | | |
| 28 | 2 | 112155010/0 | Nut | | | |
| 29 | 2 | 112154210/0 | Nut | | | |
| 31 | 1 | 382000566/0 | Steering Rod | | | |
| 32 | 2 | 112156602/0 | Nut | | | |
| 34 | 1 | 325318243/0 | Lever | | | |
| 35 | 1 | 112692390/0 | Screw | | | |
| 36 | 2 | 112521360/0 | Washer | | | |
| 37 | 1 | 112156602/0 | Nut | | | |
| 38 | 2 | 125510103/0 | Pin | | | |
| 39 | 1 | 325840029/0 | Tie Rod | | | |
| 40 | 2 | 325038007/0 | Bushing | | | |
| 41 | 1 | 382230373/0 | Right Stub Axle | | | |
| 42 | 1 | 382230375/0 | Left Stub Axle | | | |
| 43 | 2 | 112155000/0 | Nut | | | |
| 45 | 1 | 382034030/0 | Equalizer With Bush And Lubricator | | | |
| 46 | 2 | 112379511/0 | Grease Dispenser | | | |
| 47 | 4 | 125034002/1 | Bushing | | | |
| 48 | 1 | 112001010/0 | Benzing Ring | | | |
| 51 | 1 | 112692695/0 | Screw | | | |
| 52 | 2 | 112523100/0 | Washer | | | |
| 53 | 1 | 125160016/0 | Spacer | | | |
| 54 | 1 | 112587100/0 | Grower | | | |
| 55 | 1 | 112295300/0 | Nut | | | |
| 61 | 4 | 125122200/2 | Bearing | | | |



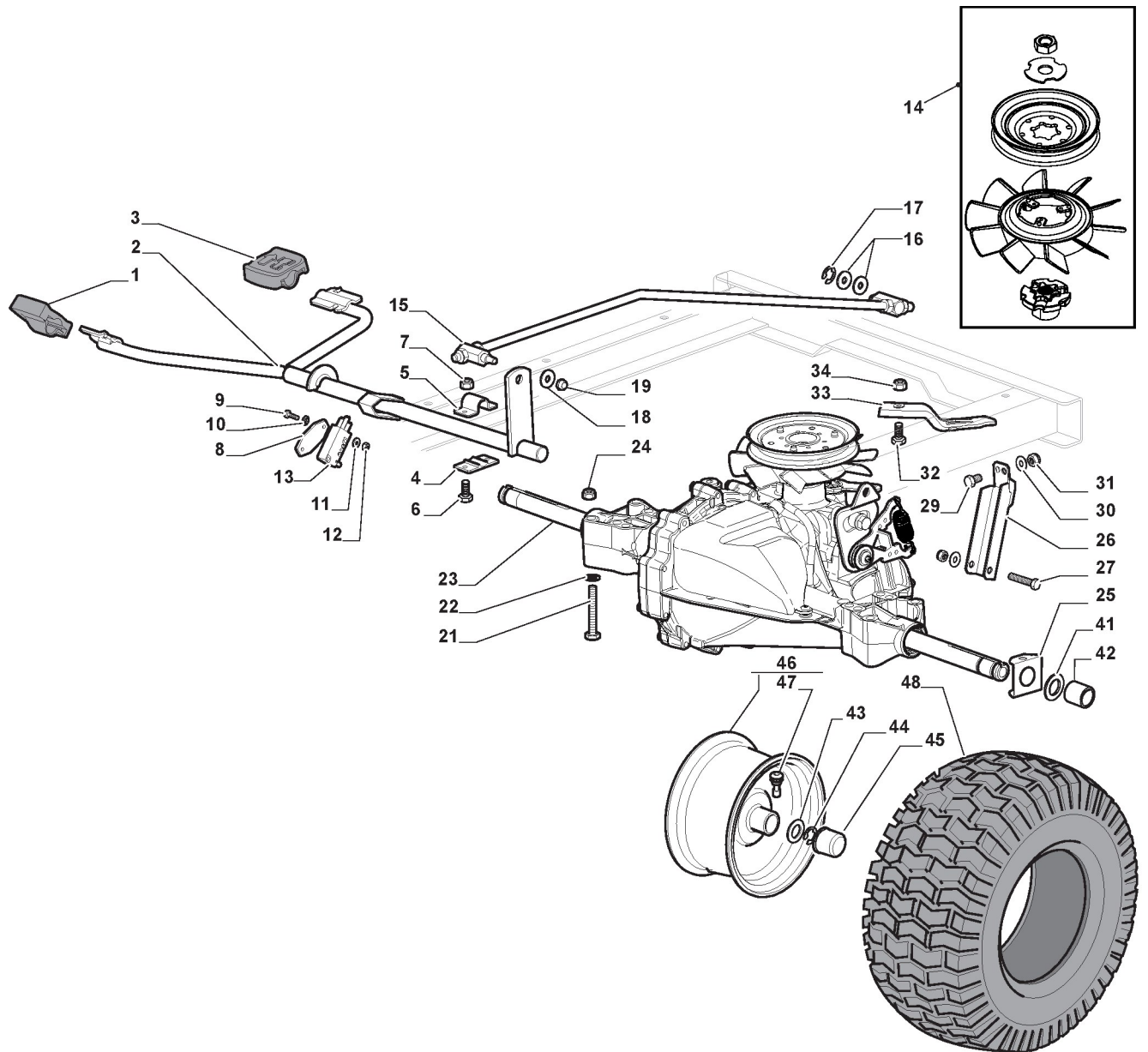
Steering

| Ref.nr. | Antal | Komponentkode | Beskrivelse | Noter | From | Op til |
|---------|-------|---------------|--------------|-------|------|--------|
| 62 | 2 | 182000598/0 | Rimm | | | |
| 63 | 2 | 125950000/0 | Valve | | | |
| 64 | 2 | 125590014/0 | Tyre | | | |
| 64 | 2 | 127590066/0 | Tyre | | | |
| 66 | 2 | 125670005/1 | Washer | | | |
| 67 | 2 | 112001010/0 | Benzing Ring | | | |
| 68 | 2 | 322110233/0 | Hub Cover | | | |



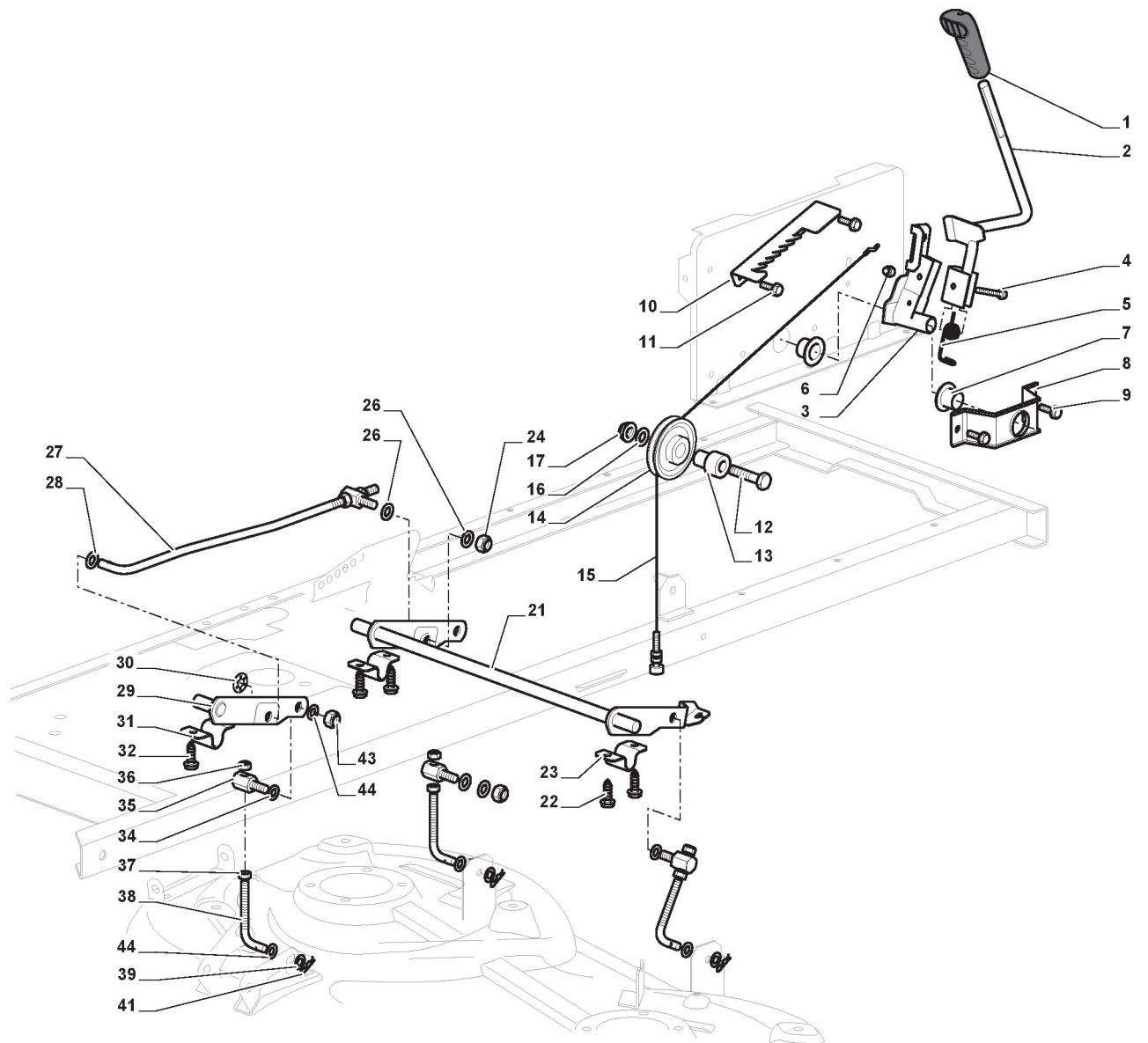
Brake And Gearbox Controls

| Ref.nr. | Antal | Komponentkode | Beskrivelse | Noter | From | Op til |
|---------|-------|---------------|---------------------|-------|--------------------------------|--------------------------|
| 1 | 1 | 325110409/0 | Clamp Cover | | | |
| 2 | 1 | 382000641/0 | Pedal | | | To S/N 19FA3RON |
| 2 | 1 | 382000641/1 | Pedal | | From S/N 19FA3RON 000275 | |
| 3 | 4 | 112735599/0 | Screw | | | |
| 4 | 2 | 325547231/0 | Plate | | | |
| 5 | 1 | 382000576/0 | Rod | | | |
| 6 | 1 | 112521360/0 | Washer | | | |
| 7 | 1 | 112156602/0 | Nut | | | |
| 8 | 1 | 325670011/0 | Antifriction Washer | | | |
| 9 | 2 | 112155000/0 | Nut | | | |
| 10 | 1 | 125510116/0 | Pin | | | To S/N 19DA3RON |
| 10 | 1 | 125510166/0 | Pin | | From S/N 19DA3RON | 003314 |
| 11 | 1 | 125160021/0 | Spacer | | | |
| 12 | 1 | 125601577/0 | Pulley | | | |
| 20 | 1 | 135062003/0 | Belt | | | To 31-August- 2015 |
| 20 | 1 | 135062003/1 | Belt | | From 01-Septem- ber-2016 | |
| 21 | 1 | 125601555/0 | Pulley | | | To 31-August- 2013 |
| 21 | 1 | 325601599/0 | Pulley | | From 01-Septem- ber-2016 | |
| 22 | 1 | 112691400/0 | Screw | | | |
| 23 | 1 | 125160051/0 | Spacer | | | To S/N 19LA3RON |
| 23 | 1 | 125160083/0 | Spacer | | S/N 00088194 | To S/N 19LA3RON |
| 23 | 1 | 125160107/0 | Spacer | | From S/N 19LA3RON | 001058 |
| 24 | 1 | 112523060/0 | Washer | | | |
| 25 | 1 | 112155000/0 | Nut | | | |
| 26 | 1 | 112155000/0 | Nut | | | |
| 27 | 1 | 112523060/0 | Washer | | | |
| 28 | 1 | 125601554/0 | Pulley | | | |
| 29 | 1 | 382318245/0 | Lever | | | |
| 30 | 1 | 112691600/0 | Screw | | | |
| 31 | 2 | 125038002/1 | Bushing | | | To 31-August- 2013 |
| 31 | 2 | 125038021/0 | Bushing | | From 01-Septem- ber-2016 | |
| 32 | 1 | 125160027/0 | Spacer | | | |
| 33 | 1 | 112155000/0 | Nut | | | |
| 34 | 1 | 125430262/0 | Spring | | | |
| 41 | 1 | 125394509/1 | Knob | | From 01-Septem- ber-2013 | To 31-August- 2013 |
| 41 | 1 | 325394534/0 | Knob | | | |
| 42 | 1 | 125033083/0 | Rod | | | To 31-August- 2013 |
| 42 | 1 | 125033113/0 | Rod | | From 01-Septem- ber-2016 | |
| 43 | 1 | 325253011/0 | Hook | | | To 31-August- 2013 |
| 43 | 1 | 325253011/1 | Hook | | From 01-Septem- ber-2016 | |
| 44 | 1 | 122524970/2 | Fulcrum Pin | | | To 31-August- 2014 |
| 44 | 1 | 122524970/3 | Pin | | From 01-Septem- ber-2016 | |
| 45 | 1 | 112155000/0 | Nut | | | |
| 46 | 1 | 125430213/0 | Spring | | | |
| 47 | 1 | 112523060/0 | Washer | | | |
| 48 | 1 | 125430269/1 | Spring | | | |



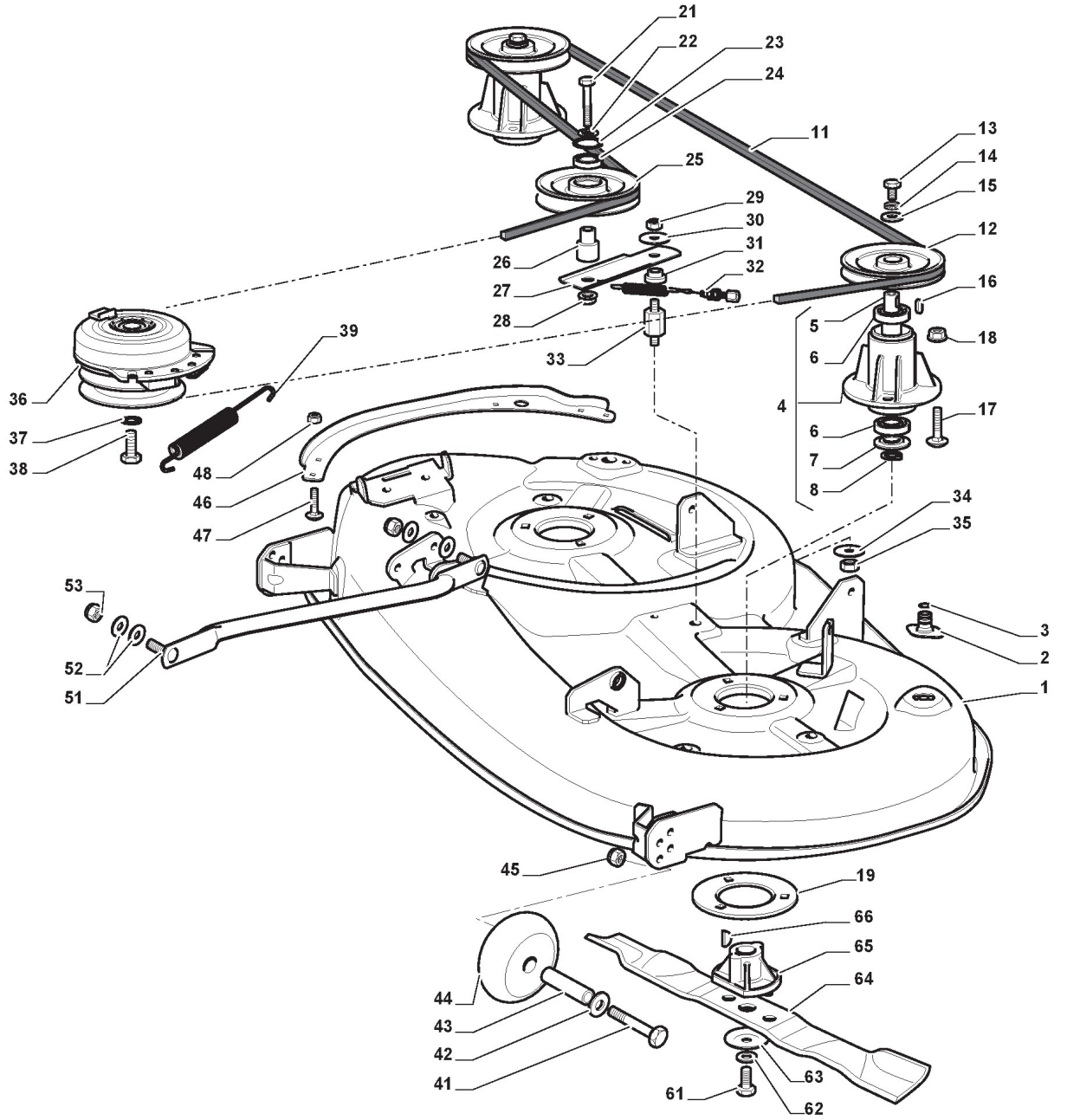
Transmission

| Ref.nr. | Antal | Komponentkode | Beskrivelse | Noter | From | Op til |
|---------|-------|---------------|---|----------------------|---------------------------|--------------------------|
| 1 | 1 | 325110274/0 | Clamp Cover Front | | | |
| 2 | 1 | 382000574/0 | Gear Control Axle | | | |
| 3 | 1 | 325110331/0 | Clamp Cover Rear | | | |
| 4 | 2 | 325785350/0 | Support | | | |
| 5 | 2 | 325547231/0 | Plate | | | |
| 6 | 4 | 112791213/1 | Screw | | | |
| 7 | 4 | 112154510/0 | Nut | | | |
| 8 | 1 | 327546019/0 | Neutral Switch Fixing Plate | | | |
| 9 | 2 | 112735602/0 | Screw | | | |
| 10 | 2 | 112540020/0 | Washer | | | |
| 11 | 2 | 112581100/0 | Grower | | | |
| 12 | 2 | 112290791/0 | Nut | | | |
| 13 | 1 | 119410609/0 | Microswitch | | | |
| 14 | 1 | 118802723/0 | Fan Kit | | | |
| 15 | 1 | 382000573/0 | Rod | | | To 31-August- 2011 |
| 15 | 1 | 382000573/1 | Rod | | From 01-September-2011 | |
| 16 | 2 | 325670011/0 | Antifriction Washer | | | |
| 17 | 1 | 112000955/0 | Benzing Ring | | | |
| 18 | 1 | 112523040/0 | Washer | | | |
| 19 | 1 | 112154510/0 | Nut | | | |
| 21 | 4 | 112691600/0 | Screw | | | |
| 22 | 4 | 112521350/0 | Washer | | | |
| 23 | 1 | 118400919/0 | Rear Axle (Hydro-Gear T2-Aded-2X3C-1Pa1) | | | To 31-August- 2010 |
| 23 | 1 | 118400919/1 | Rear Axle (Hydro-Gear T2-Adbf-2X3C-1Px1) | | From 01-September-2010 | To 31-August- 2011 |
| 23 | 1 | 118400919/2 | Rear Axle (Hydro-Gear T2-Adbf-2X3C-17X1) | | From 01-September-2011 | |
| 24 | 4 | 112155000/0 | Nut | | | |
| 25 | 2 | 325670026/0 | Washer | | | |
| 26 | 1 | 325785349/0 | Support | | | To 31-August- 2011 |
| 26 | 1 | 325785349/1 | Support | | From 01-September-2011 | |
| 27 | 1 | 112691700/0 | Screw | | | |
| 29 | 1 | 112792611/0 | Screw | | | |
| 30 | 2 | 112523060/0 | Washer | | | |
| 31 | 2 | 112155000/0 | Nut | | | |
| 32 | 1 | 112791213/1 | Screw | | | |
| 33 | 1 | 325318251/0 | Lever | | | |
| 34 | 1 | 112154510/0 | Nut | | | |
| 41 | 2 | 125670005/1 | Washer | | | |
| 42 | 2 | 125160055/0 | Spacer | | | To 31-August- 2011 |
| 42 | 2 | 125160058/0 | Spacer | | From 01-September-2011 | |
| 43 | 6 | 125670005/1 | Washer | | | |
| 44 | 2 | 112001010/0 | Benzing Ring | | | |
| 45 | 2 | 322110233/0 | Hub Cover | Standard Black Cover | | |
| 46 | 2 | 382000597/0 | Rimm | | | |
| 47 | 2 | 125950000/0 | Valve | | | |
| 48 | 2 | 125590015/0 | Tyre | | | |



Cutting Plate Lifting

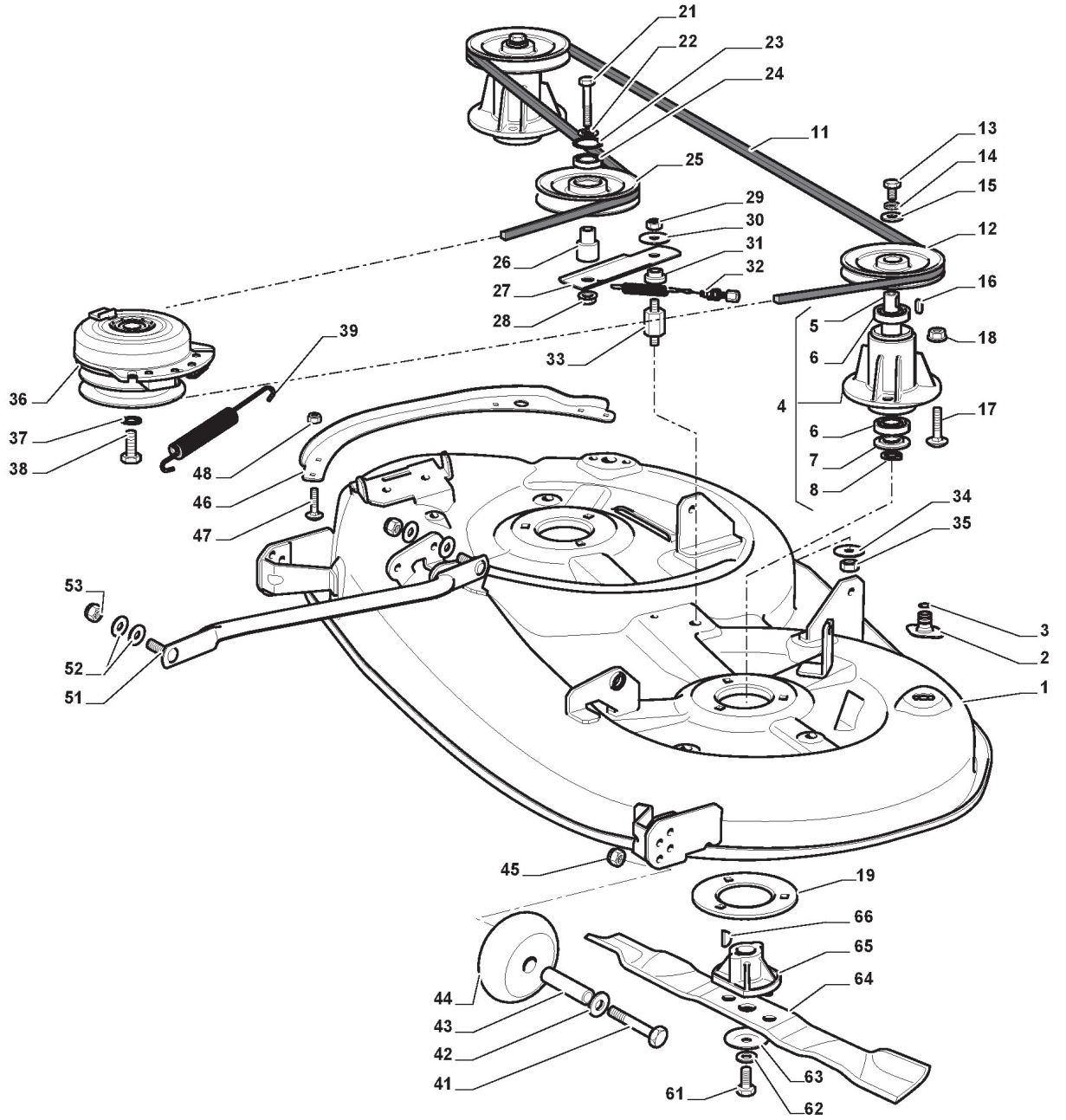
| Ref.nr. | Antal | Komponentkode | Beskrivelse | Noter | From | Op til |
|---------|-------|---------------|---------------------|--|-------------------|--------------------------|
| 1 | 1 | 325394533/0 | Knob | | | |
| 2 | 1 | 382318229/0 | Lever | | | |
| 3 | 1 | 382318231/0 | Axle | | | |
| 4 | 1 | 112674700/0 | Screw | | | |
| 5 | 1 | 125430261/0 | Spring | | | |
| 6 | 1 | 112154510/0 | Nut | | | |
| 7 | 2 | 325038006/0 | Bushing | | | |
| 8 | 1 | 325785297/0 | Support | | | |
| 9 | 2 | 125943009/0 | Screw | | | |
| 10 | 1 | 325735515/0 | Steering Sector | | | |
| 11 | 2 | 125943009/0 | Screw | | | |
| 12 | 1 | 112793701/0 | Screw | | | |
| 13 | 1 | 125040636/0 | Bushing | | | |
| 14 | 1 | 125601579/0 | Pulley | | | |
| 15 | 1 | 382004620/0 | Wire | | | |
| 16 | 1 | 112523060/0 | Washer | | | |
| 17 | 1 | 112293201/0 | Nut | | | |
| 21 | 1 | 382318239/0 | Axle | | | |
| 22 | 4 | 112735599/0 | Screw | | | |
| 23 | 2 | 325547231/0 | Plate | | | |
| 24 | 1 | 112155000/0 | Nut | | | |
| 26 | 2 | 325670011/0 | Antifriction Washer | | | |
| 27 | 1 | 382000569/0 | Connecting Rod | | | To 31-August- 2011 |
| 27 | 1 | 382000569/1 | Connecting Rod | for the replacement check Service Bulletin RO_043 | From 01-Septem | |
| 28 | 1 | 112521350/0 | Washer | | | |
| 29 | 1 | 382318237/0 | Axle | | | |
| 30 | 1 | 112604899/0 | Crown Fastener | | | |
| 31 | 1 | 325547231/0 | Plate | | | |
| 32 | 2 | 112735599/0 | Screw | | | |
| 34 | 3 | 325670008/1 | Washer | | | |
| 35 | 3 | 125510107/1 | Pin | | | |
| 36 | 3 | 112156602/0 | Nut | | | |
| 37 | 3 | 112295200/0 | Nut | | | |
| 38 | 3 | 125840012/0 | Tie Rod | | | |
| 39 | 3 | 112523060/0 | Washer | | | |
| 41 | 3 | 124487998/0 | Cotter Pin | | | |
| 43 | 3 | 112156602/0 | Nut | | | |
| 44 | 6 | 325670008/1 | Washer | | | |



Cutting Plate with Electromagnetic Clutch

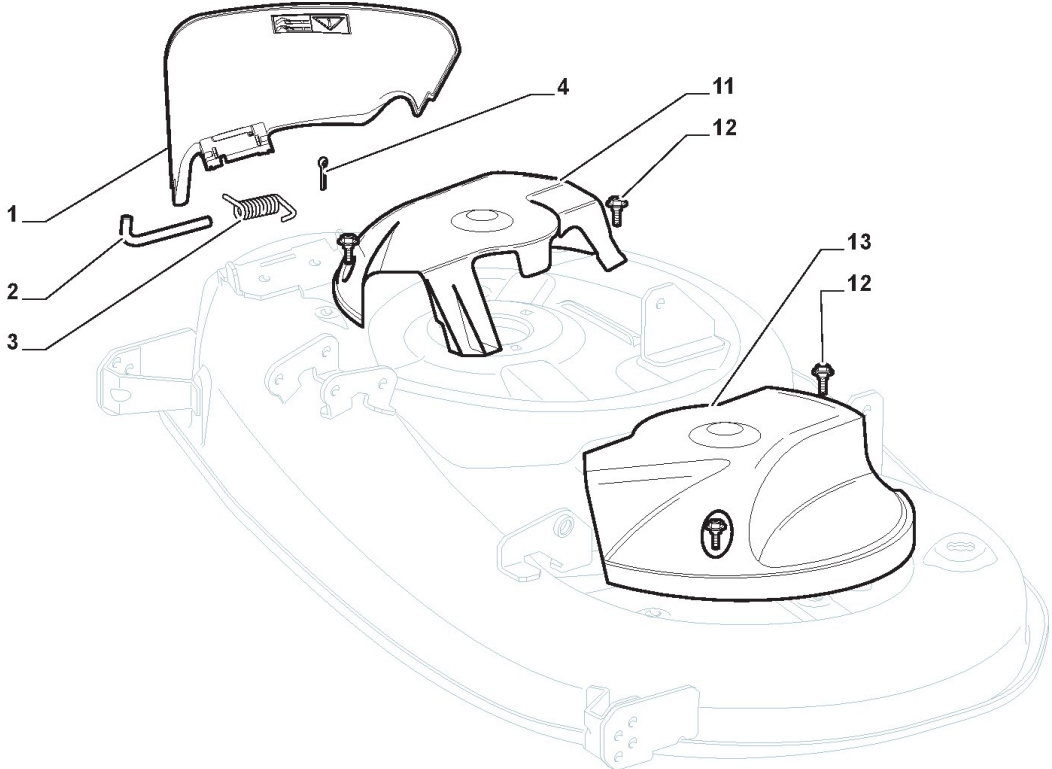
| Ref.nr. | Antal | Komponentkode | Beskrivelse | Noter | From | Op til |
|---------|-------|---------------|------------------------|-------|------------------------|-------------------|
| 1 | 1 | 382565069/0 | Cutting Plate Black | | | To 31-August-2014 |
| 1 | 1 | 382565069/2 | Cutting Plate Black | | From 01-September-2014 | |
| 2 | 2 | 325033086/0 | Water Hose Connection | | | |
| 3 | 2 | 119035000/0 | Or Ring | | | |
| 4 | 2 | 382207204/0 | Flange Assy | | | To 31-August-2015 |
| 4 | 2 | 382207204/1 | Flange Assy | | From 01-September-2015 | |
| 5 | 2 | 125020804/0 | Shaft | | | |
| 6 | 4 | 119216040/0 | Bearing | | From 01-September-2014 | To 31-August-2014 |
| 6 | 4 | 119216047/0 | Bearing | | | To 31-August-2014 |
| 7 | 2 | 325160501/0 | Dust Cover Disc | | | |
| 8 | 2 | 112609260/0 | Seeger | | | |
| 11 | 1 | 135061506/0 | Belt | | | |
| 12 | 2 | 125601571/0 | Pulley | | | |
| 13 | 2 | 112793102/0 | Screw | | | |
| 14 | 2 | 112540260/0 | Washer | | | |
| 15 | 2 | 125670007/0 | Washer | | | |
| 16 | 2 | 112139480/0 | Feather | | | |
| 17 | 6 | 112818700/0 | Screw | | | |
| 18 | 6 | 112154210/0 | Nut | | | |
| 19 | 2 | 325160505/0 | Disc | | | |
| 21 | 1 | 112691800/0 | Screw | | | |
| 22 | 1 | 112524010/0 | Washer | | | |
| 23 | 1 | 112610800/0 | Seeger | | | |
| 24 | 1 | 119216041/0 | Bearing | | From 01-September-2014 | To 31-August-2014 |
| 24 | 1 | 119216048/0 | Bearing | | | To 31-August-2014 |
| 25 | 1 | 125601586/0 | Pulley | | | |
| 26 | 1 | 125160056/0 | Spacer | | | |
| 27 | 1 | 325318255/0 | Lever | | | |
| 28 | 1 | 112293201/0 | Nut | | | |
| 29 | 1 | 112155020/0 | Nut | | | |
| 30 | 1 | 125670022/0 | Washer | | | |
| 31 | 1 | 125040635/0 | Bushing | | | |
| 32 | 1 | 382004619/0 | Wire | | | |
| 33 | 1 | 125160057/0 | Spacer | | | To 31-August-2014 |
| 33 | 1 | 125160057/1 | Spacer | | From 01-September-2014 | |
| 34 | 1 | 112523080/0 | Washer | | | |
| 35 | 1 | 112156602/0 | Nut | | | |
| 36 | 1 | 118399062/0 | Electromagnetic Clutch | | | |
| 37 | 1 | 112543000/0 | Washer | | | |
| 38 | 1 | 112737320/0 | Screw | | | |
| 39 | 1 | 122430216/0 | Tension Spring | | | To 31-August-2010 |
| 39 | 1 | 122430216/1 | Spring | | From 01-September-2010 | |
| 39 | 1 | 125430277/0 | Spring | | From 01-September-2011 | |
| 41 | 2 | 112692050/0 | Screw | | | |
| 42 | 2 | 112523060/0 | Washer | | | |
| 43 | 2 | 125510072/0 | Pin | | | |
| 44 | 2 | 182700001/0 | Levelling Small Wheel | | | |
| 45 | 2 | 112293201/0 | Nut | | | |

Cutting Plate with Electromagnetic Clutch



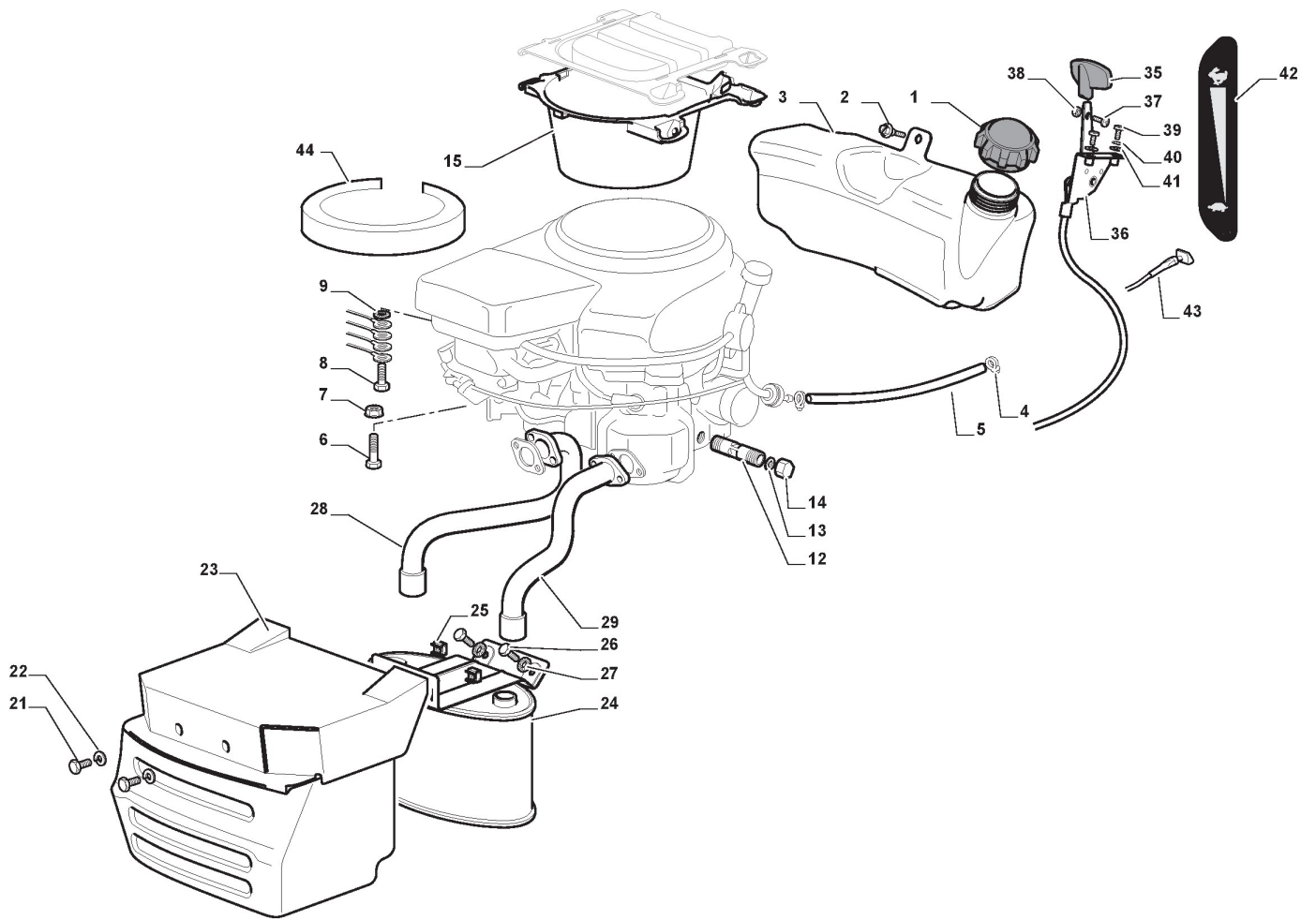
Cutting Plate with Electromagnetic Clutch

| Ref.nr. | Antal | Komponentkode | Beskrivelse | Noter | From | Op til |
|---------|-------|---------------|----------------------|-------|------|--------|
| 46 | 1 | 325547259/0 | Stiffening | | | |
| 47 | 5 | 112815200/0 | Screw | | | |
| 48 | 5 | 112154510/0 | Nut | | | |
| 51 | 2 | 382000565/0 | Equalizer Rod | | | |
| 52 | 8 | 325670008/1 | Washer | | | |
| 53 | 4 | 112156602/0 | Nut | | | |
| 61 | 2 | 112735694/0 | Screw | | | |
| 62 | 2 | 112523080/0 | Washer | | | |
| 63 | 2 | 122160400/0 | Elastic Disc | | | |
| 64 | 2 | 182004357/0 | Right Blade Mulching | | | |
| 65 | 2 | 125463200/0 | Blade Hub | | | |
| 66 | 2 | 112139100/0 | Key | | | |



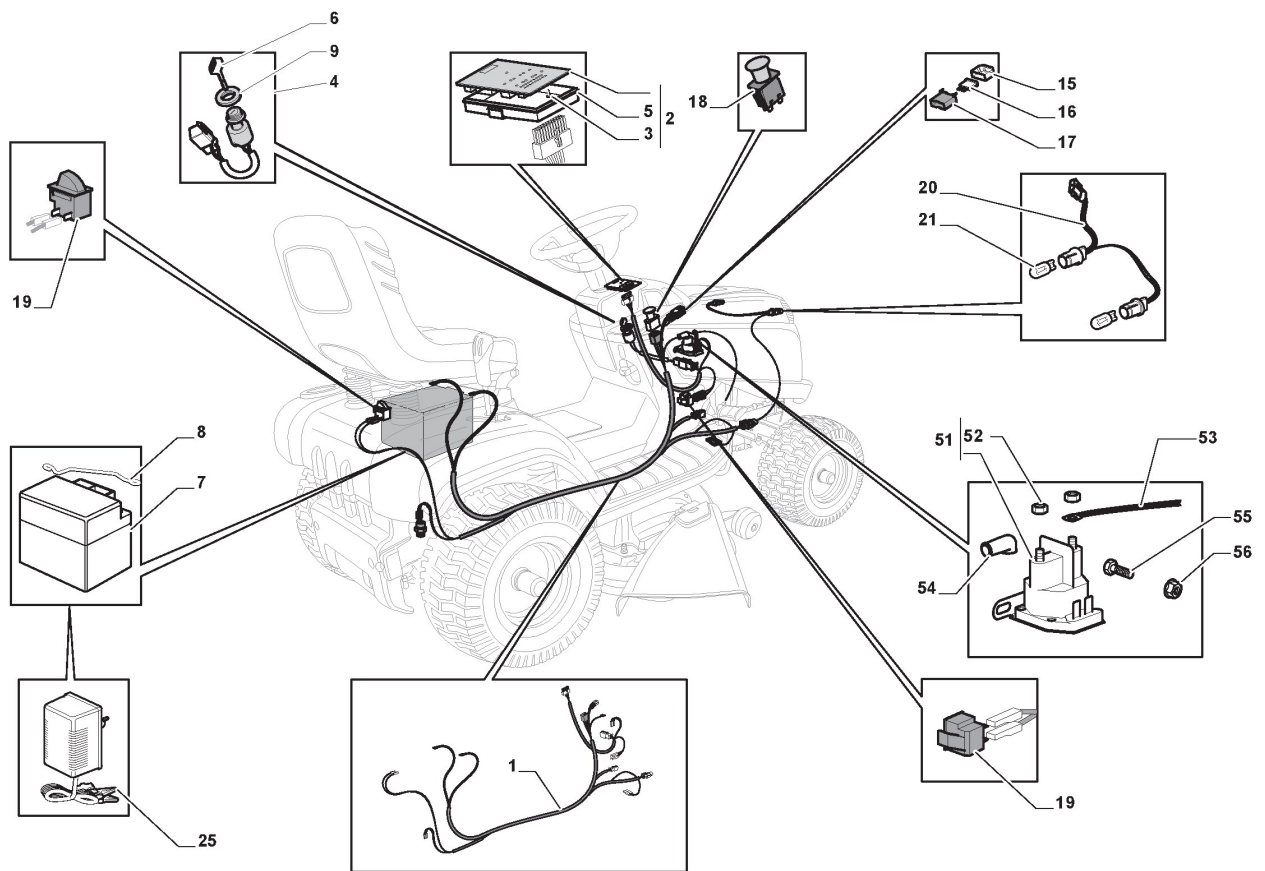
Guards

| Ref.nr. | Antal | Komponentkode | Beskrivelse | Noter | From | Op til |
|---------|-------|---------------|------------------------------|-------|------|----------------|
| 1 | 1 | 325600087/0 | Exit Protection | | | To |
| 1 | 1 | 325600087/1 | Exit Protection | | From | 31-August-2013 |
| 2 | 1 | 125510073/0 | Fulcrum Pin | | | |
| 3 | 1 | 125430242/1 | Spring | | | |
| 4 | 1 | 112141418/0 | Cotter Pin | | | |
| 11 | 1 | 325600088/0 | Right Belt Protection Carter | | | |
| 12 | 4 | 125943006/0 | Screw | | | |
| 13 | 1 | 325600089/0 | Left Belt Protection | | | |



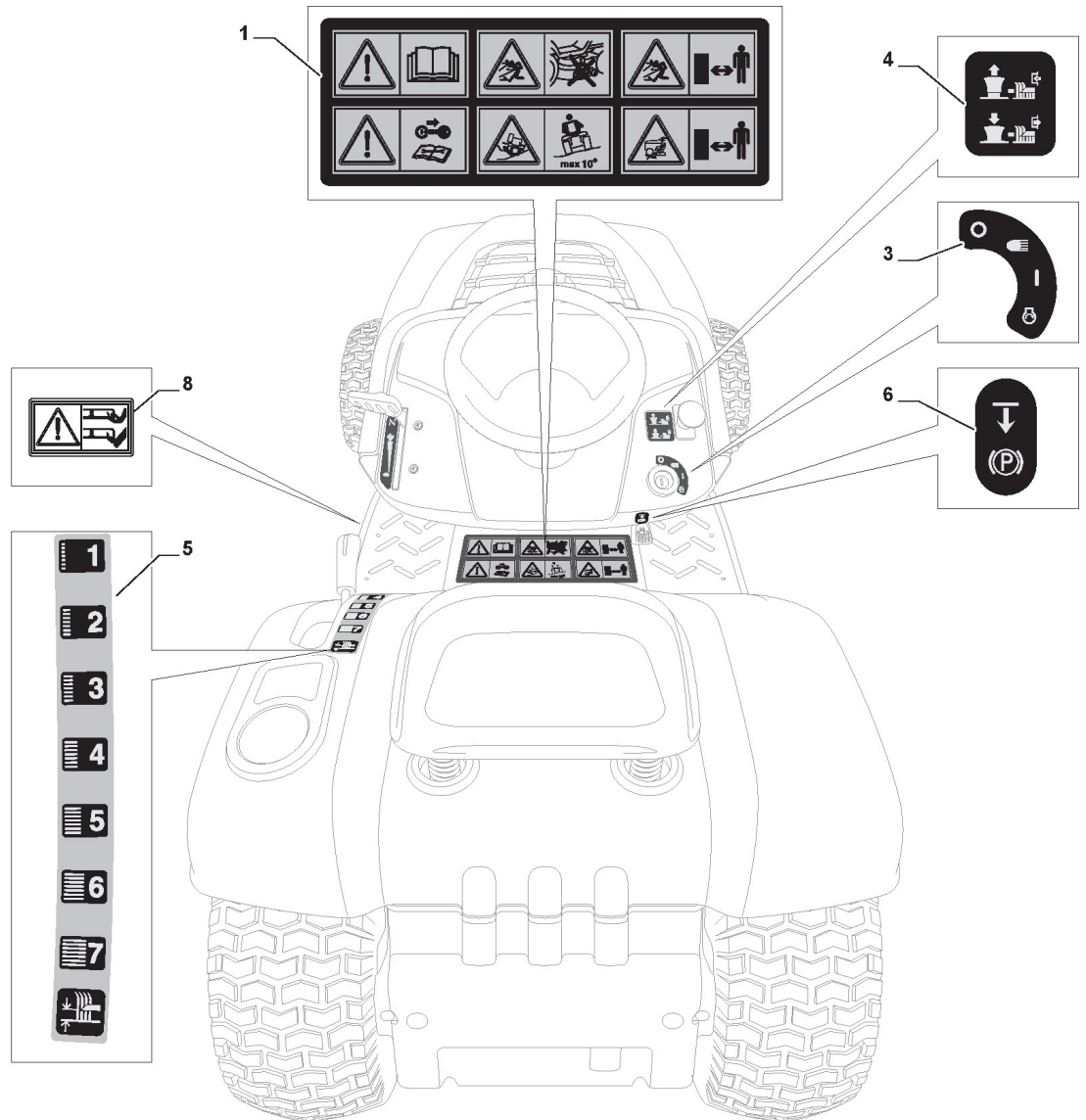
Engine - Honda

| Ref.nr. | Antal | Komponentkode | Beskrivelse | Noter | From | Op til |
|---------|-------|---------------|--------------------------|-------|-------------------|----------------|
| 1 | 1 | 125795001/1 | Cap | | | |
| 2 | 4 | 125943010/0 | Screw | | | |
| 3 | 1 | 325735126/0 | Fuel Tank | | | To |
| 3 | 1 | 325735126/1 | Tank | | From | 31-August-2017 |
| 4 | 2 | 118375051/1 | Fair Led | | | |
| 5 | 1 | 325869057/0 | Connecting Tube | | | |
| 6 | 4 | 112735108/1 | Screw | | | |
| 7 | 4 | 112154210/0 | Nut | | | |
| 8 | 1 | 112735120/0 | Screw | | From | |
| 8 | 1 | 112735124/0 | Screw | | 01-September-2018 | To |
| 8 | 1 | 112735599/0 | Screw | | | To |
| 9 | 1 | 112540260/0 | Washer | | | 31-August-2013 |
| 12 | 1 | 125598052/0 | Oil Discharge Extension | | | |
| 13 | 1 | 118401001/0 | Oil Seal | | | To |
| 13 | 1 | 118401001/1 | Oil Seal | | From | |
| 14 | 1 | 118737849/0 | Plug | | 01-September-2003 | |
| 15 | 1 | 325108045/0 | Conveyor | | | To |
| 15 | 1 | 325108045/1 | Conveyor | | From | 31-August-2010 |
| 21 | 2 | 112792611/0 | Screw | | | |
| 22 | 2 | 112540260/0 | Washer | | | |
| 23 | 1 | 382598049/0 | Muffler Protection | | | |
| 24 | 1 | 182750003/0 | Muffler Assy | | | |
| 25 | 2 | 112360425/0 | Nut | | | |
| 26 | 2 | 112792611/0 | Screw | | | |
| 27 | 2 | 112540260/0 | Washer | | | |
| 28 | 1 | 118738221/0 | Exhaust Tube Right | | | |
| 29 | 1 | 118738222/0 | Right Exhaust Connection | | | |
| 35 | 1 | 325394531/0 | Knob | | | |
| 36 | 1 | 182000217/0 | Accelerator | | | |
| 37 | 1 | 112726389/0 | Screw | | | |
| 38 | 1 | 112290800/0 | Nut | | | |
| 39 | 2 | 112726389/0 | Screw | | | |
| 40 | 2 | 112540020/0 | Washer | | | |
| 41 | 2 | 112521310/0 | Washer | | | |
| 42 | 1 | 114364617/0 | Label | | | |
| 43 | 1 | 125090006/0 | Choke Control | | | |
| 44 | 1 | 125730023/0 | Intake Separator | | | |



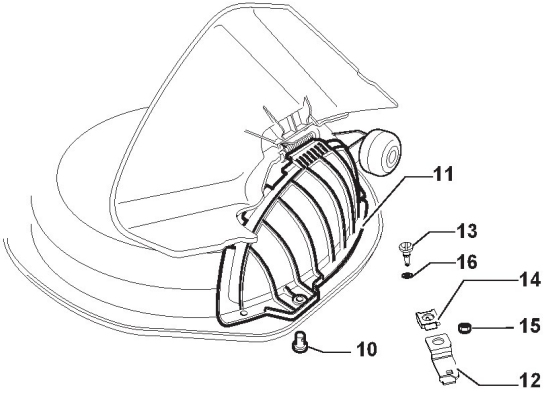
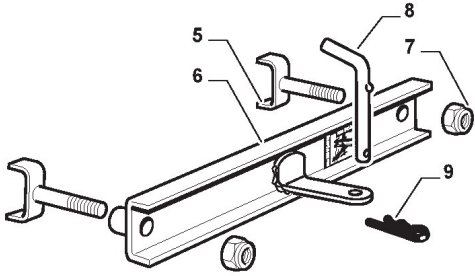
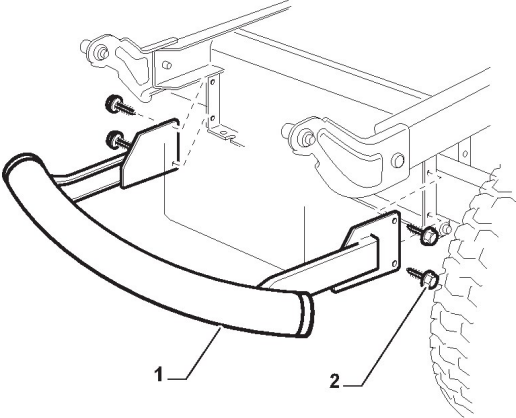
Electrical Parts

| Ref.nr. | Antal | Komponentkode | Beskrivelse | Noter | From | Op til |
|---------|-------|---------------|-----------------------------------|---|-------------------------------|--------------------------|
| 1 | 1 | 182040157/0 | Cables Ass.Y | (Specific for Models with Honda engine) | | To 31-August- 2014 |
| 1 | 1 | 182040158/0 | Cables Ass.Y | for Hydro Models) | | To 31-August- 2014 |
| 1 | 1 | 182040196/0 | Cables Ass.Y | (for Hydro Models) | From 01-Septem ber-2014 | |
| 1 | 1 | 182040197/0 | Cables Ass.Y | (Specific for Models with Honda engine) | From 01-Septem ber-2014 | |
| 2 | 1 | 382722429/0 | Electronic Card | | | To 31-August- 2014 |
| 2 | 1 | 382722443/0 | Electronic Card | | From 01-Septem ber-2014 | |
| 3 | 1 | 112735101/0 | Screw | | | |
| 4 | 1 | 118450075/0 | Starting Switch | | | To 31-August- 2014 |
| 4 | 1 | 118450075/1 | Starting Switch | | From 01-Septem ber-2014 | |
| 5 | 1 | 325600080/0 | Card Protection | | From 01-Septem ber-2014 | |
| 6 | 1 | 118210023/0 | Starting Key | | | |
| 7 | 1 | 118120002/1 | Battery | | | |
| 8 | 1 | 125430265/1 | Spring | | | |
| 9 | 1 | 118400863/0 | Screwed Ring | | | |
| 15 | 2 | 133215000/0 | Cover | | | |
| 16 | 1 | 133340036/0 | Fuse 25 A | | | |
| 16 | 1 | 133340040/0 | Fuse 10 A | | | |
| 17 | 2 | 133500007/0 | Fuse Carrier | | | |
| 18 | 1 | 118450074/0 | Clutch Switch | | | |
| 19 | 2 | 119410613/0 | Microswitch | | | |
| 21 | 2 | 118459100/0 | Lamp For Lights | | | |
| 25 | 1 | 182180090/0 | Battery Charger 12V 1A - CE Plugg | CE Plug | | |
| 51 | 1 | 118736112/0 | Solenoid | | | |
| 52 | 2 | 112361005/0 | Nut | | | |
| 53 | 1 | 125065002/0 | Cable | | | |
| 54 | 1 | 118564864/1 | Protection | | | |
| 55 | 1 | 112790781/0 | Screw | | | |
| 56 | 2 | 112154510/0 | Nut | | | |



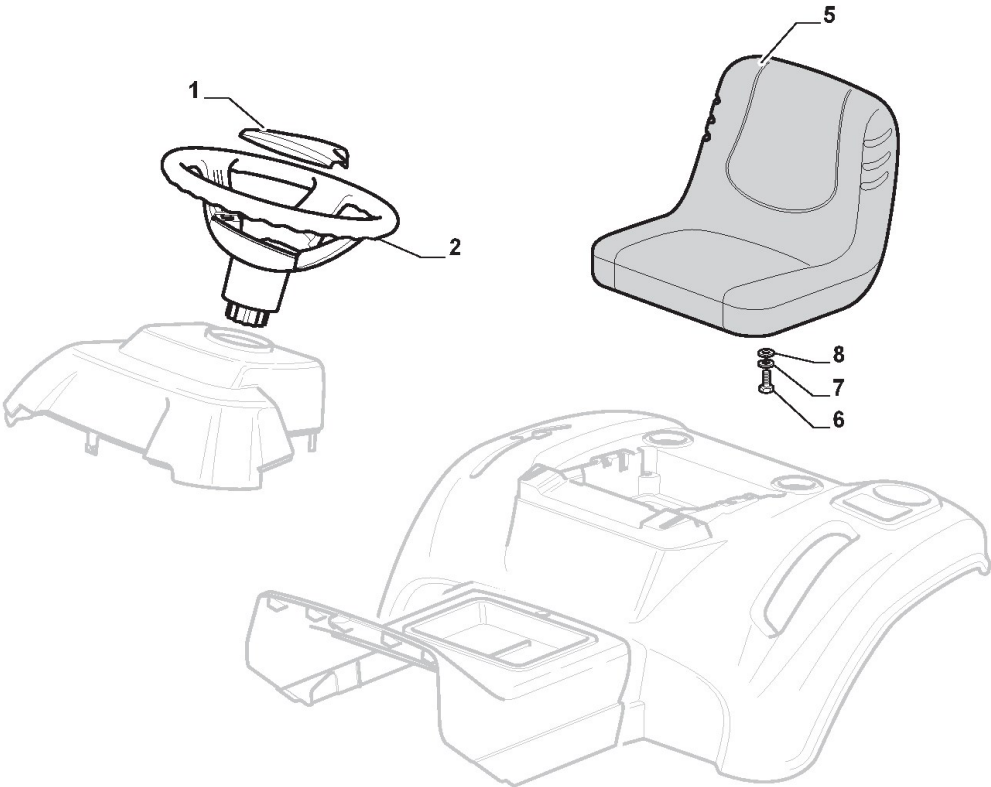
Labels

| Ref.nr. | Antal | Komponentkode | Beskrivelse | Noter | From | Op til |
|---------|-------|---------------|-------------|---------------------------|---------------------------|--------|
| 1 | 1 | 114362365/1 | Label | | | |
| 3 | 1 | 114363699/0 | Label | Only for Models with Lamp | | |
| 4 | 1 | 114361438/0 | Label | | | |
| 5 | 1 | 114363701/0 | Label | | | To |
| 5 | 1 | 114366142/0 | Label | | From 01-September-2014 | |
| 6 | 1 | 114363700/0 | Label | | | |
| 8 | 1 | 114356699/1 | Label | | | |



Optionals On Request

| Ref.nr. | Antal | Komponentkode | Beskrivelse | Noter | From | Op til |
|---------|-------|---------------|--------------------|-------|---------------------------|--------------------------|
| 1 | 1 | 382869038/0 | Muffler Protection | | | |
| 2 | 4 | 125943008/0 | Screw | | | |
| 5 | 2 | 382650211/0 | Stiffening | | | |
| 6 | 1 | 382033111/0 | Rod | | | |
| 7 | 2 | 112155000/0 | Nut | | | |
| 8 | 1 | 125510021/1 | Hitch Pin | | | |
| 9 | 1 | 124487999/0 | Spring Pin | | | |
| 10 | 2 | 112815205/0 | Screw | | | |
| 11 | 1 | 325140101/0 | Deflector | | | To 31-August- 2014 |
| 11 | 1 | 325140107/0 | Deflector | | From 01-September-2014 | To 31-August- 2014 |
| 12 | 1 | 125510111/0 | Pin | | | To 31-August- 2014 |
| 12 | 2 | 325785473/0 | Pin | | From 01-September-2015 | To 31-August- 2014 |
| 13 | 1 | 125580040/0 | Stake | | From 01-September-2015 | To 31-August- 2014 |
| 13 | 1 | 125580041/0 | Stake | | | To 31-August- 2014 |
| 14 | 1 | 112437507/0 | Rapid Fixing Plate | | | To 31-August- 2015 |
| 14 | 1 | 118737221/0 | Plate | | From 01-September-2015 | To 31-August- 2015 |
| 15 | 2 | 112154510/0 | Nut | | | |
| 16 | 1 | 112604899/0 | Crown Fastener | | | |



Seat & Steering Wheel

| Ref.nr. | Antal | Komponentkode | Beskrivelse | Noter | From | Op til |
|---------|-------|---------------|----------------------|-------|------|----------------|
| 1 | 1 | 325580504/0 | Steering Plate Cover | | | |
| 2 | 1 | 325961219/0 | Steering Wheel | | | |
| 5 | 1 | 125722463/0 | Seat | | | To |
| 5 | 1 | 125722483/0 | Seat | | From | 31-August-2017 |
| 6 | 4 | 112792611/0 | Screw | | | |
| 7 | 4 | 112540260/0 | Washer | | | |
| 8 | 4 | 112523060/0 | Washer | | | |