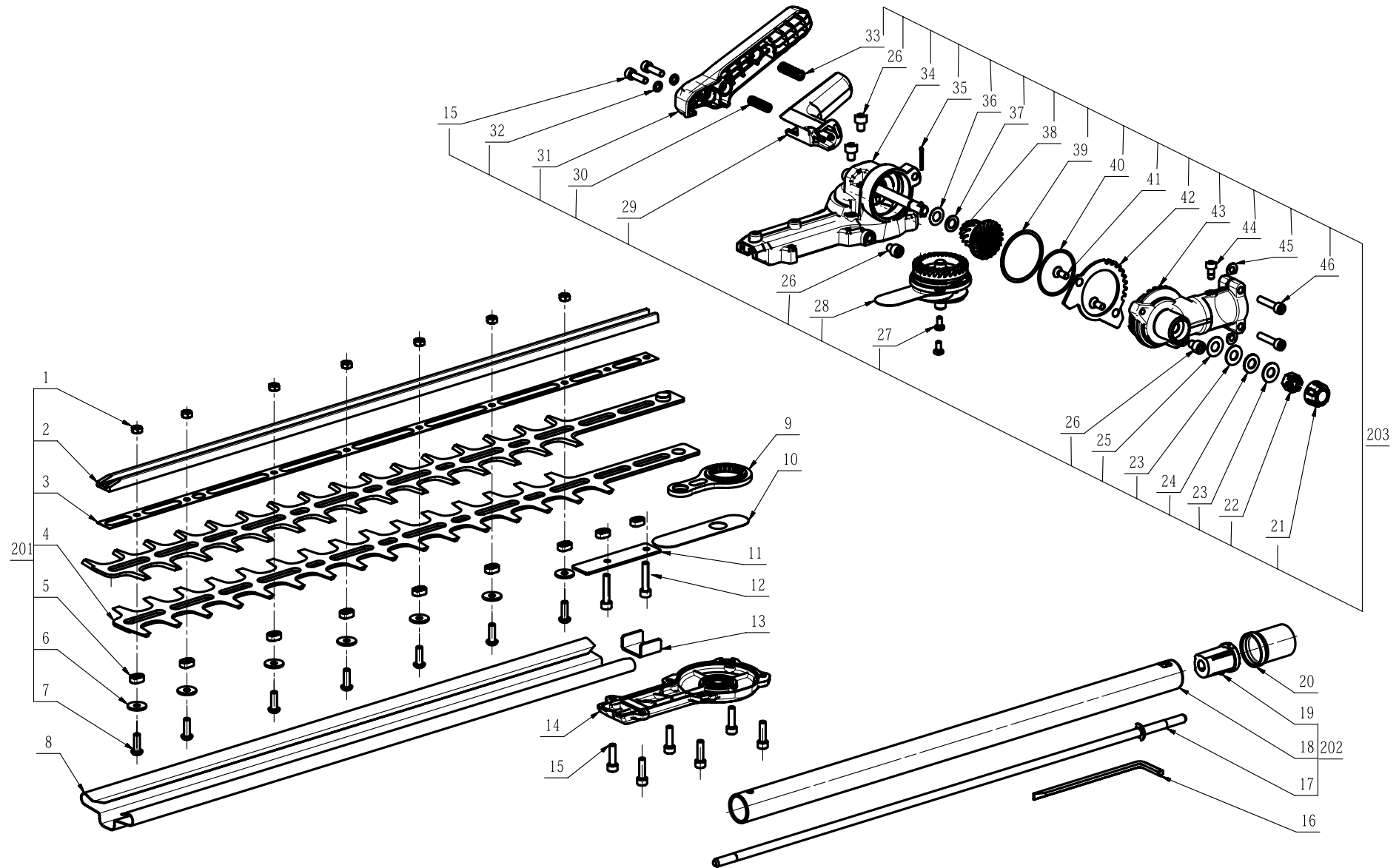




Product Description:Hedge Trimmer Attachment
Model Number:HTA2000S
Body Number:0760074001_S
Version: A
Issue Date: 2018/12/29





Repair Parts_Hedge Trimmer_4216(HTA2000S)

Index No.	Art. No.	Description	QTY in machine	Weight (g)	Size LxWxH (mm)	MPQ	Repairable or Not?	Standard Repair Time (min.)
1	5630007006	Prevailing Torque Hexagon Nut	7	1.05	M5	10	Y	2
2	3552609001	Clamp Support	1	135.16	604x18x7.5	1	Y	10
3	3706193001	Support Plate	1	23.56	604x16.8x0.5	1	Y	10
4	3706167001	Blade	2	276.1	632.3x61x2.3	1	Y	10
5	5650531001	Bush	9	2.42	12x8.5x4.8	1	Y	2
6	5650487001	Plain Washer	7	2.05	φ5.2xφ16x1.5	10	Y	2
7	5620543001	Hexagon Socket Screw	7	2.85	M5x15.5	10	Y	2
8	3128882001	Sheath	1	68	553x70.5x22.4	1	Y	2
9	2824890002	Link Assembly	1	43.35	82.5x44x6	1	Y	10
10	3700736001	Support Plate	1	8.24	98.5x25x0.5	1	Y	12
11	3705991001	Support Plate	1	19.5	82x21x1.5	1	Y	2
12	5620216005	Hexagon Socket Screw	2	5	M5x25	10	Y	3
13	3706098001	Upper Support Plate	1	11.5	26.2x22x12	1	Y	10
14	2824873002	Lower Housing ASSY	1	67.31	158x70.2x14	1	Y	6
15	5620446005	Hexagon Socket Screw	8	4.1	M5x18	10	Y	2
16	5680210001	Inner Hexagon Spanner	1	23.7	120x30.6x5.8	1	Y	0
17	2826178002	Shaft Assembly	1	151.84	φ14.5x517.7	1	Y	10
18	2826182002	Tube Assembly	1	198.63	φ25x480	1	Y	15
19	3128859001	Guiding Block	1	4.3	φ24.5x33	1	Y	3
20	3128734001	Sleeve	1	4.6	φ29x42	1	Y	1
21	3128682001	Cover	1	2.38	φ20.2x13.3	1	Y	1
22	5630300001	Hex Nut	1	6.18	15x13x9.8	10	Y	5
23	5650569001	Plain Washer	2	1.27	φ8.1xφ17x1	10	Y	5
24	3660652001	Disc Spring	1	0.85	φ16x1.25	10	Y	5
25	5650578001	Plain Washer	1	0.1	φ8.1xφ17x0.5	10	Y	5
26	5620546001	Hexagon Socket Screw	4	4.9	M6x8	10	Y	3
27	5620156007	Hexagon Socket Screw	2	1.33	M4x8	10	Y	1
28	2824875002	Bevel Gear ASSY	1	218	99X52X42.4	1	Y	20
29	3402841001	Release Button	1	30.65	70.6x26x55	1	Y	6
30	3660094001	Spring	1	0.84	φ7x23	10	Y	5
31	3402842001	Bevel Lever	1	49.15	146x61x27	1	Y	5
32	5650404001	Washer	2	0.25	φ5.3xφ8.5x1	10	Y	5
33	3660072002	Spring	1	0.71	φ8.1x26	10	Y	5
34	2824877002	Right Gear Case ASSY	1	190.2	170x70.2x63.4	1	Y	35
35	5670436001	Split Pin	1	0.5	2x16	1	Y	5
36	5650187001	Washer	1	0.35	φ8.1Xφ15X0.2	10	Y	5
37	5650570001	Plain Washer	1	0.7	φ8xφ13.5x1	10	Y	10
38	2824878002	Transmitting Gear ASSY	1	75	φ33x29.4	1	Y	10
39	5650571001	Plain Washer	1	1.06	φ40.5xφ45.5x0.5	10	Y	12
40	5690353001	O Ring	1	0.4	φ36.5x1.8	10	Y	10
41	5620074008	Screw	2	1.79	M5x12	10	Y	3
42	3706839001	Angle Support	1	13.37	φ67x2	1	Y	12
43	2824876002	Left Gear Case ASSY	1	135.5	105.5x57.5x47.5	1	Y	25
44	5620213003	Hexagon Socket Screw	1	3.4	M5x10	10	Y	3
45	5650598001	Washer	2	0.2	5.3x11x0.4	10	Y	2
46	5620216003	Hexagon Socket Screw	2	5	M5x25	10	Y	3
201	2824872002	Blade Set	1	669.3	650.5x61x18.2	1	N	15
202	2826183002	Connecting Tube ASSY	1	355.34	φ25x517.7	1	Y	10
203	2826624001	Gear Case ASSY	1	556	257x118x107	1	Y	10