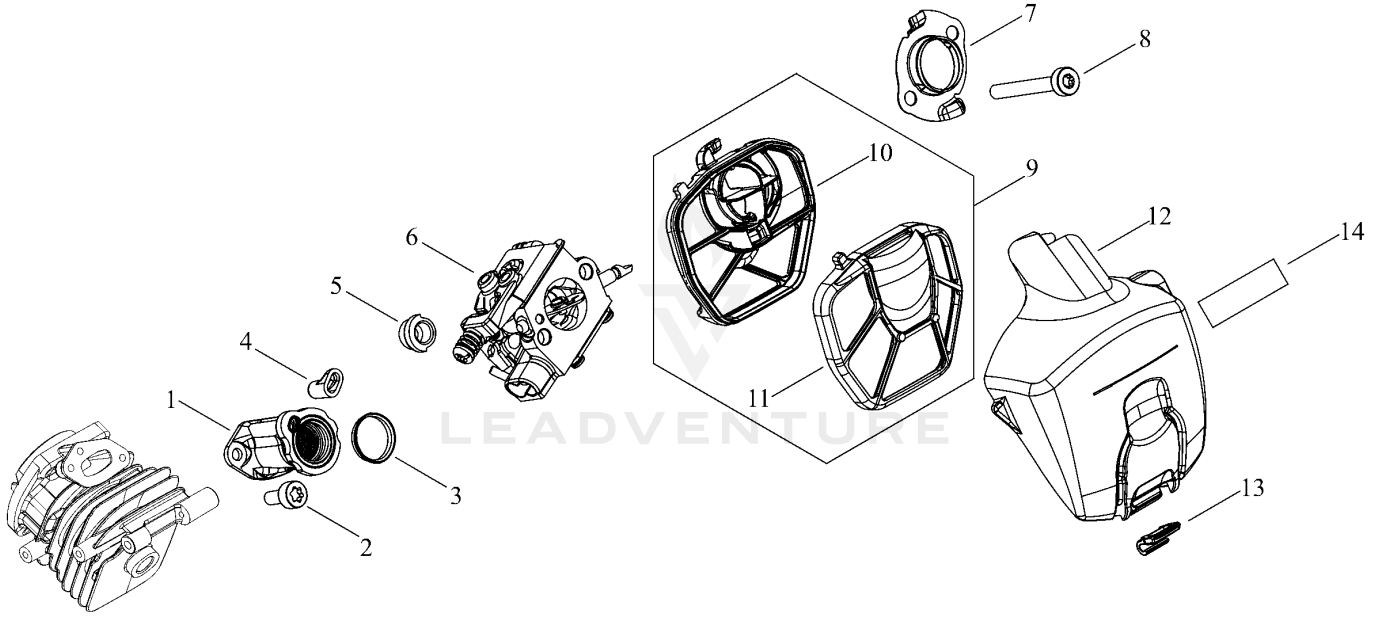


CS-2511TES_25R_23_23001001

TABLE OF CONTENTS

AIR CLEANER, CARBURETOR	3
ENGINE COVER	5
MAGNETO	8
CHAIN BRAKE	10
OPTION PARTS	13
HANDLE	15
ACCESSORIES	17
GUIDE BAR, CHAIN	19
CYLINDER, PISTON, CRANKSHAFT	21
MUFFLER	23
OILER	25
CARBURETOR	27
RECOIL STARTER	30

AIR CLEANER, CARBURETOR

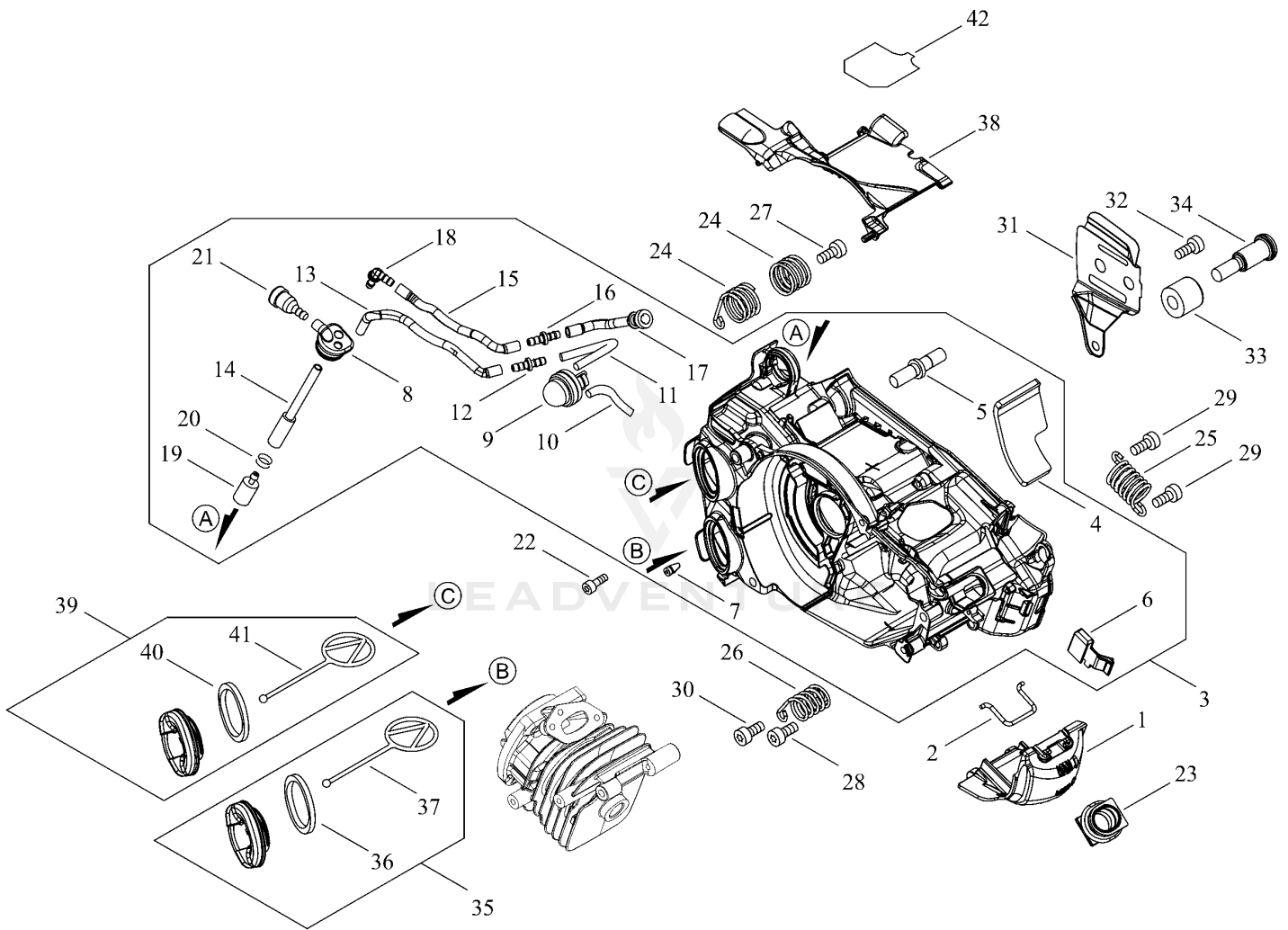


Rendered by LeadVenture, Inc.

AIR CLEANER, CARBURETOR

Ref Number	Part Number	Part Description	Context Notes	Quantity
1	A202-000290	BELLOWS, INTAKE		1
2	V804-000040	BOLT, TORX 4		2
3	V358-000220	COLLAR,14		1
4	V351-000030	COLLAR,3		1
5	V162-000770	PLUG		2
6	A021-004770	CARBURETOR,DIAPHRAGM		1
7	A204-000250	ELBOW, CARBURETOR		1
8	V805-000070	BOLT, TORX 5		2
9	A226-002140	ELEMENT, AIR FILTER		1
10	A226-002120	ELEMENT, AIR FILTER		1
11	A226-002130	ELEMENT, AIR FILTER		1
12	A232-001842	LID,CLEANER		1
13	A235-000410	KNOB,CLEANER LID		1
14	X503-014140	LABEL,MODEL		1

ENGINE COVER



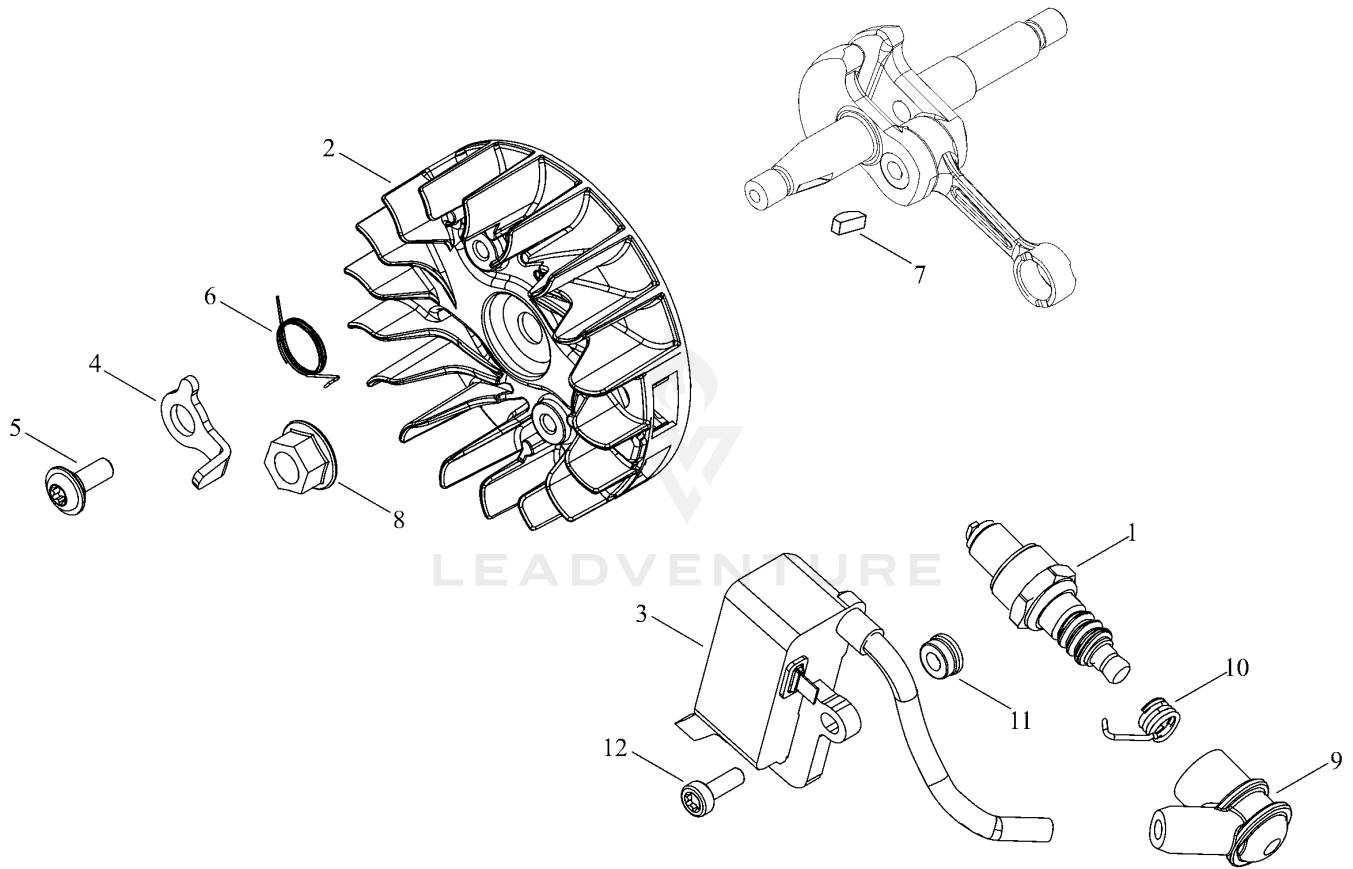
Rendered by LeadVenture, Inc.

ENGINE COVER

Ref Number	Part Number	Part Description	Context Notes	Quantity
1	A429-000200	COVER,CAP		1
2	C649-000440	HOOK		1
3	P100-004930	COVER ENGINE ASY		1
4	V341-000200	WASHER,SQUARE		1
5	V225-000262	BOLT,STUD 8		1
6	A219-000071	SHUTTER, AIR		1
7	436114-13930	VALVE, CHECK		1
8	V137-000140	GROMMET,FUEL		1
9	A035-000040	PUMP, FUEL		1
10	V470-002180	PIPE		1
11	V471-004870	PIPE		1
12	V186-000020	JOINT,PIPE		1
13	V471-003660	PIPE		1
14	V470-002210	PIPE		1
15	V471-003820	PIPE		1
16	V186-000510	JOINT,PIPE		1
17	V470-002190	PIPE		1
18	V186-000530	JOINT,PIPE		1
19	A369-000420	STRAINER, FUEL		1
20	V490-000500	CLIP		1
21	131300-56431	VENT ASSEMBLY, FUEL		1
22	V804-000100	BOLT, TORX 4		3
23	A239-000110	PIPE, INTAKE		1
24	V450-002050	SPRING,COMPRESSION		2
25	V450-002060	SPRING,COMPRESSION		1
26	V450-002070	SPRING,COMPRESSION		1
27	V804-000000	BOLT, TORX 4		1
28	V804-000000	BOLT, TORX 4		1
29	V804-000000	BOLT, TORX 4		2

Ref Number	Part Number	Part Description	Context Notes	Quantity
30	V804-000010	BOLT, TORX 4		1
31	C305-000511	PLATE, SPROCKET GUARD		1
32	V203-002280	BOLT, 5		1
33	C310-000140	CATCHER, CHAIN		1
34	V203-002260	BOLT, 5		1
35	A033-000390	OIL, CAP		1
36	V107-000180	GASKET, FUEL CAP		1
37	A365-000050	CONNECTOR, CAP		1
38	A127-000450	COVER, DUST		1
39	A033-000410	CAP, FUEL		1
40	V107-000180	GASKET, FUEL CAP		1
41	A365-000050	CONNECTOR, CAP		1
42	X505-010000	LABEL, CAUTION		1

MAGNETO

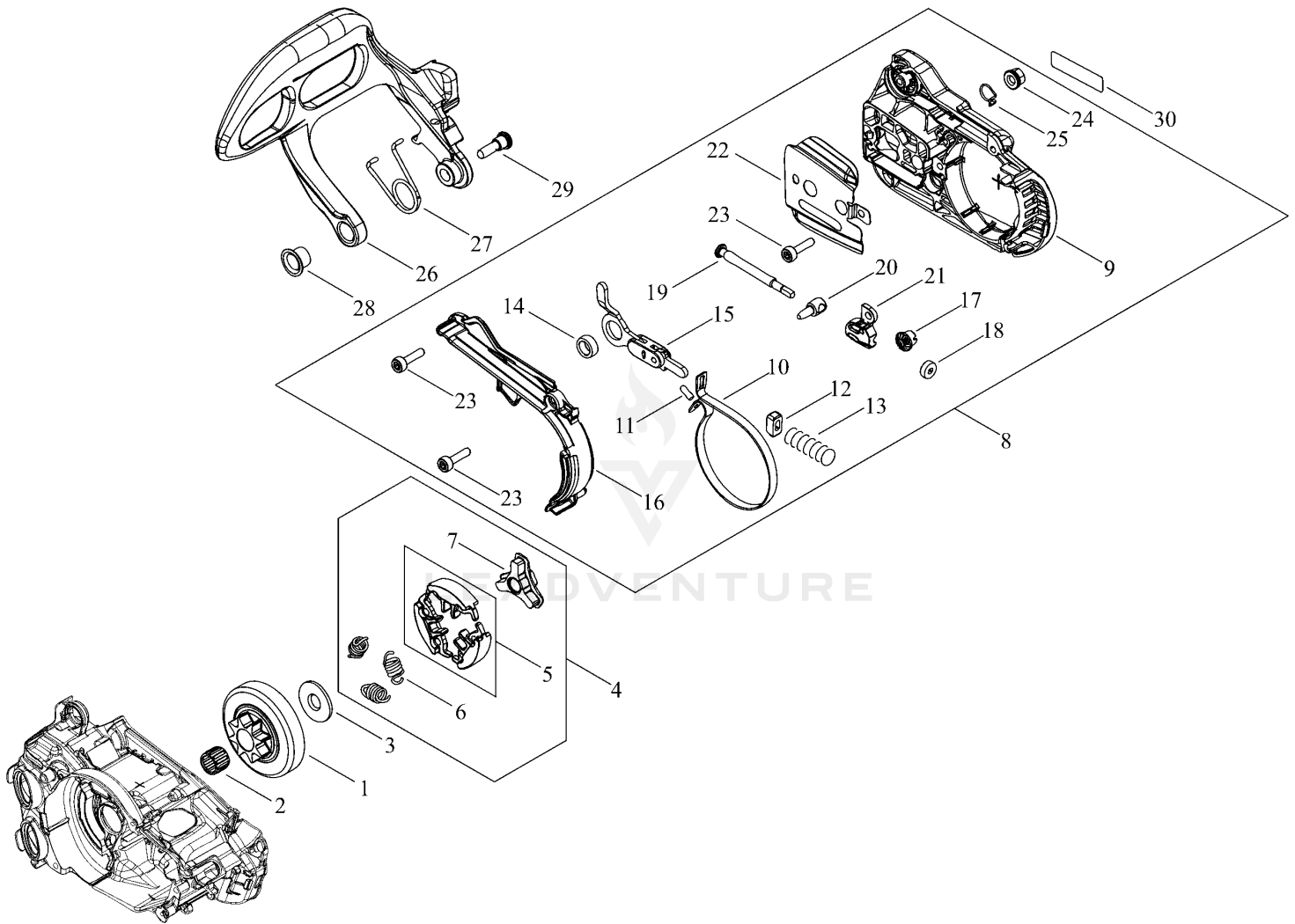


Rendered by LeadVenture, Inc.

MAGNETO

Ref Number	Part Number	Part Description	Context Notes	Quantity
1	A425-000060	SPARKPLUG		1
2	A409-001300	ROTOR, MAGNETO		1
3	P021-050161	COIL, IGNITION		1
4	A514-000300	PAWL		2
5	V203-002250	BOLT,5		2
6	V452-000030	SPRING,TORSION		2
7	100142-12330	KEY, WOODRUFF		1
8	V265-000140	NUT		1
9	A427-000190	CAP,SPARK PLUG		1
10	A426-000010	TERMINAL,SPARKPLUG		1
11	V352-000300	COLLAR,4		2
12	V804-000060	BOLT, TORX 4		2

CHAIN BRAKE



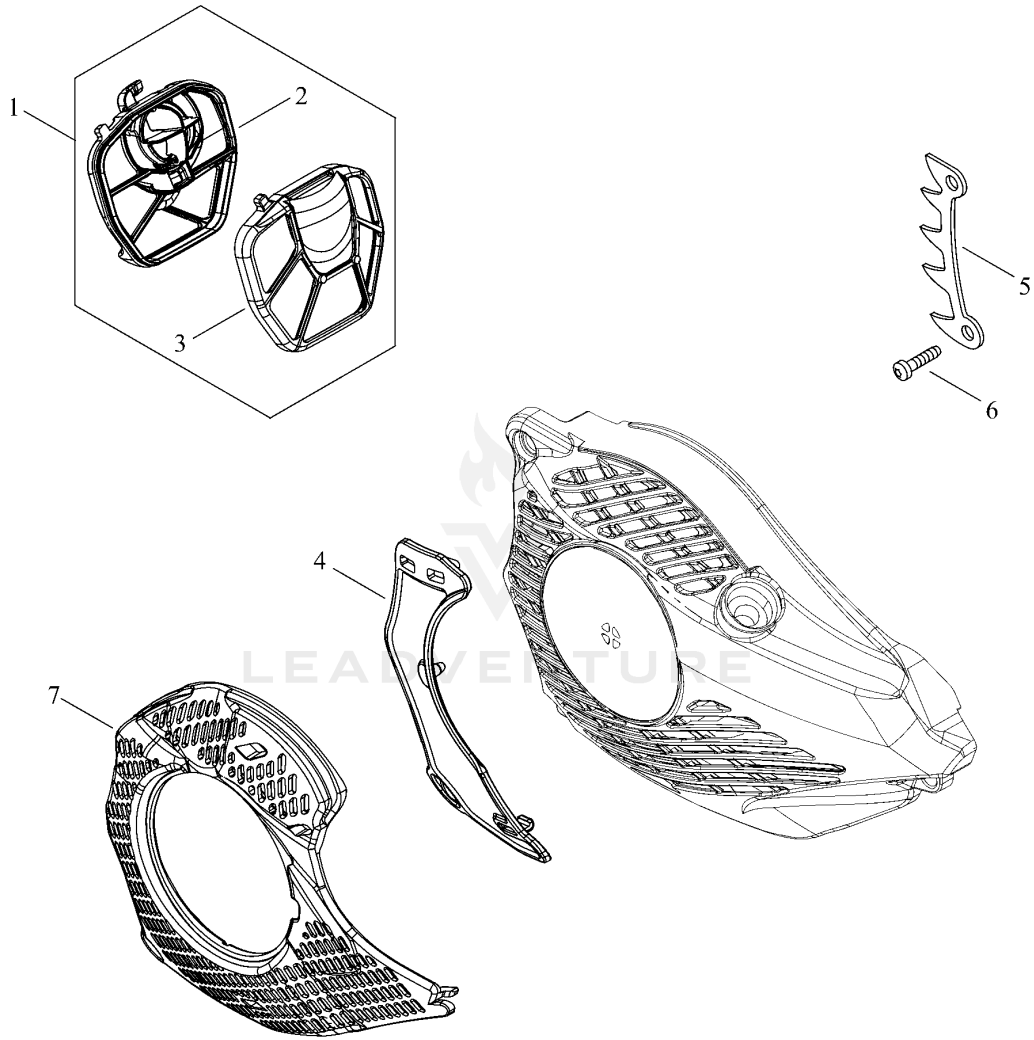
Rendered by LeadVenture, Inc.

CHAIN BRAKE

Ref Number	Part Number	Part Description	Context Notes	Quantity
1	A556-001720	DRUM, CLUTCH		1
2	V555-000190	BEARING,NEEDLE 10		1
3	A551-000170	PLATE, CLUTCH		1
4	A056-000830	CLUTCH ASY		1
5	P100-004180	CLUTCH SHOE SET		1
6	A566-000290	SPRING, CLUTCH		3
7	A552-000430	HUB, CLUTCH		1
8	P100-002170	GUARD, SPROCKET ASY		1
9	C300-001140	GUARD, SPROCKET		1
10	C328-000330	BAND, BRAKE		1
11	93050-30080	ROLLER		1
12	V376-000450	SPACER		1
13	V450-002080	SPRING,COMPRESSION		1
14	V355-000860	COLLAR,8		1
15	C334-000340	CONNECTOR, BRAKE		1
16	C345-000640	COVER,BRAKE		1
17	V651-001060	GEAR,BEVEL		1
18	V651-000011	GEAR,BEVEL		1
19	V203-000041	BOLT,5		1
20	C309-000110	TENSIONER,CHAIN		1
21	V355-000840	COLLAR,8		1
22	C305-000521	PLATE,SPROCKET GUARD		1
23	V804-000000	BOLT, TORX 4		3
24	V265-000550	NUT,8		1
25	C649-000420	HOOK		1
26	C320-000510	LEVER, BRAKE		1
27	V452-001660	SPRING,TORSION		1
28	V356-000780	COLLAR,10		1
29	V203-002270	BOLT,5		1

Ref Number	Part Number	Part Description	Context Notes	Quantity
30	X502-000340	LABEL,ECHO		1

OPTION PARTS

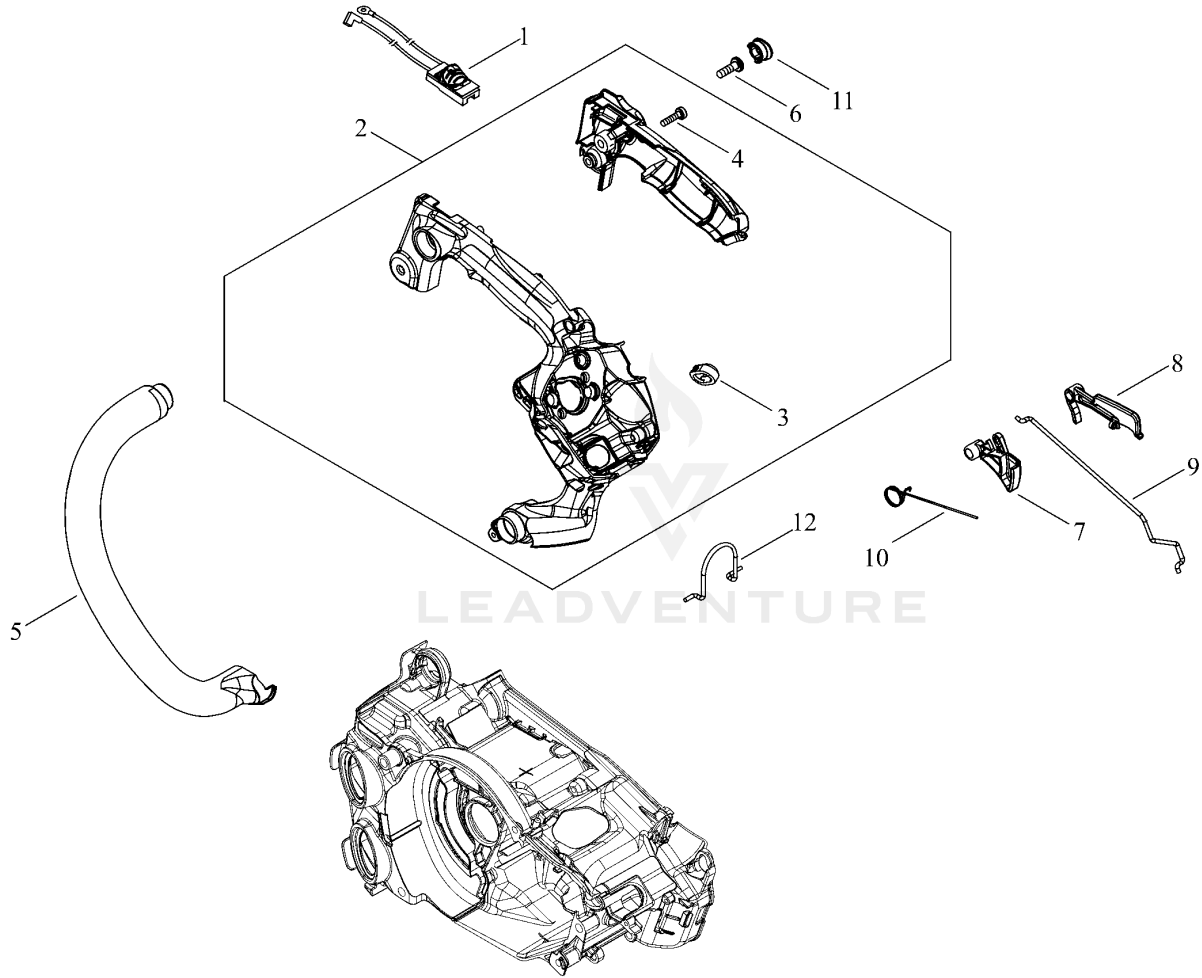


Rendered by LeadVenture, Inc.

OPTION PARTS

Ref Number	Part Number	Part Description	Context Notes	Quantity
1	A226-001991	ELEMENT, AIR FILTER		1
2	A226-001970	ELEMENT, AIR FILTER		1
3	A226-001981	ELEMENT, AIR FILTER		1
4	C418-000150	SHIELD, SNOW		1
5	C304-000000	SPIKE		1
6	V805-000240	BOLT, TORX 5		2
7	A127-000480	COVER,DUST		1

HANDLE

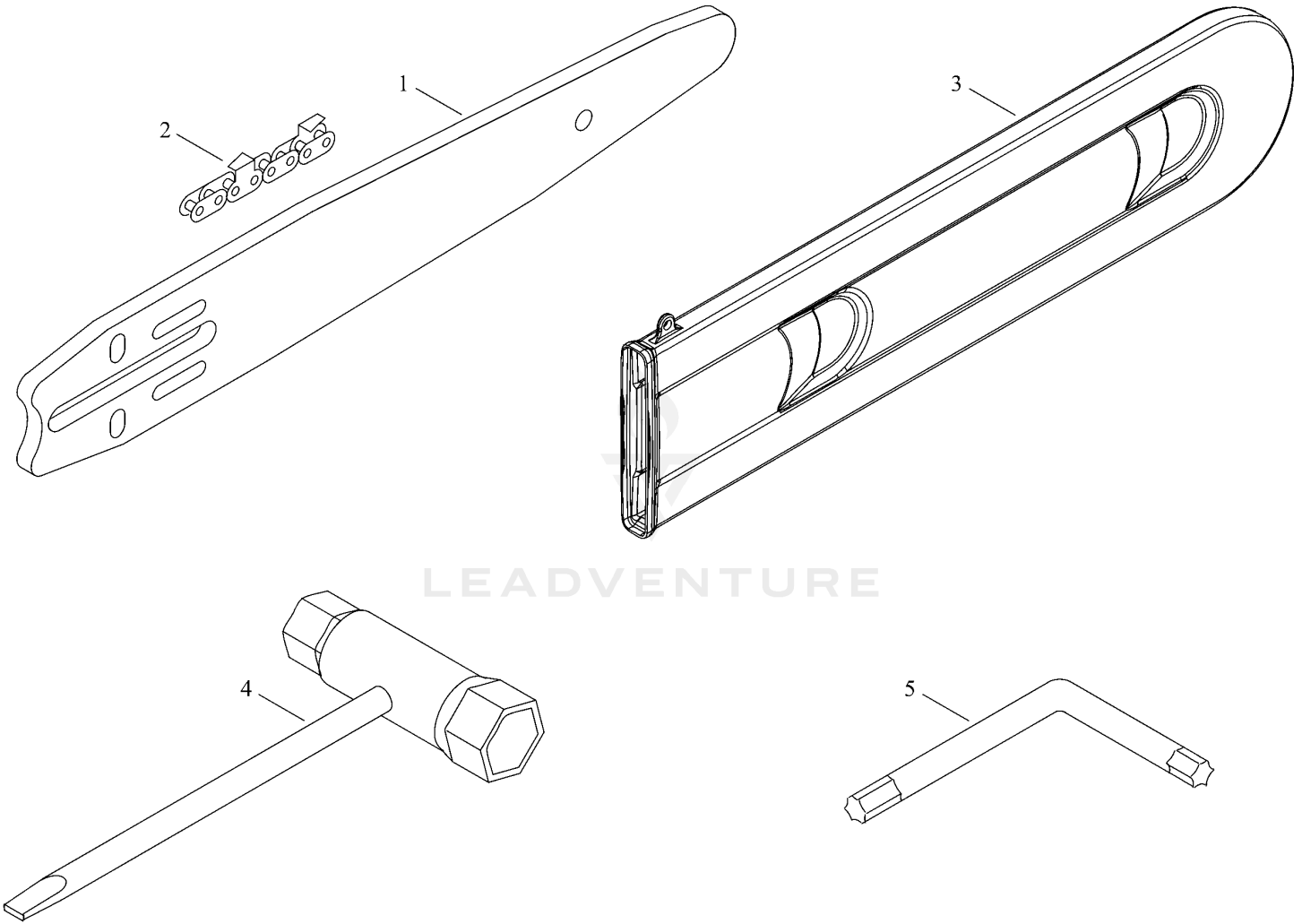


Rendered by LeadVenture, Inc.

HANDLE

Ref Number	Part Number	Part Description	Context Notes	Quantity
1	A440-002741	SWITCH,ON OFF		1
2	P100-002151	HANDLE SET, REAR		1
3	V131-000220	GROMMET,NEEDLE		1
4	V804-000010	BOLT, TORX 4		1
5	C400-001550	HANDLE, FRONT		1
6	V805-000000	BOLT, TORX 5		1
7	C450-000950	CONTROL, THROTTLE		1
8	C460-000590	LOCKOUT, THROTTLE		1
9	C454-000540	ROD, THROTTLE		1
10	V452-001650	SPRING,TORSION		1
11	V162-000760	PLUG		1
12	C646-000132	RING,HARNESS		1

ACCESSORIES





LEADVENTURE

Rendered by LeadVenture, Inc.

ACCESSORIES

Ref Number	Part Number	Part Description	Context Notes	Quantity
1	X121-000003	BAR,GUIDE 25		1
2	X221-000100	CHAIN,SAW		1
3	X490-000840	SCABBARD,CHAIN		1
4	X602-000160	PLUG WRENCH		1
5	X605-000190	TOOL,L WRENCH		1

GUIDE BAR, CHAIN

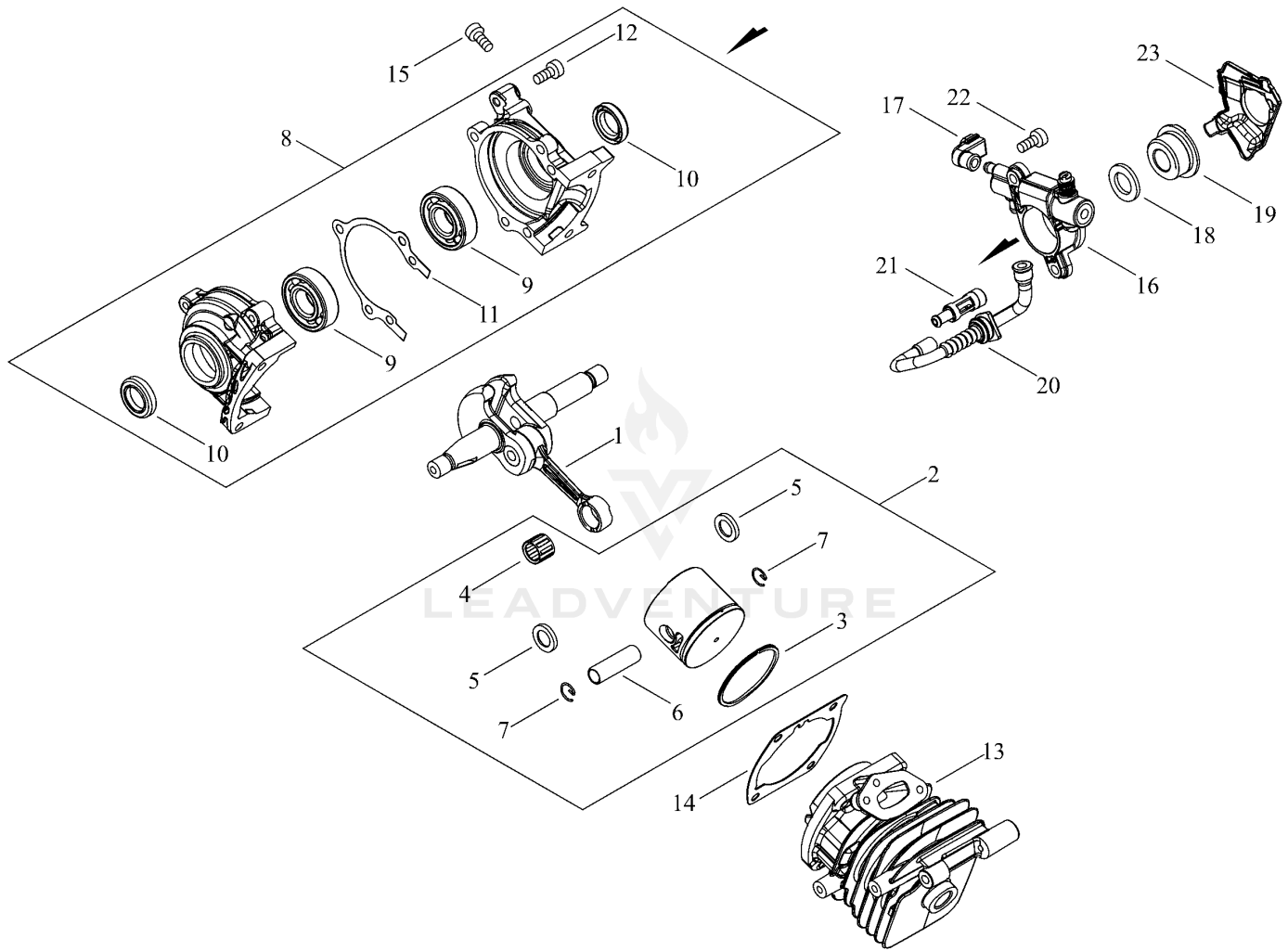
Pitch ピッチ (inch) (mm)	Gauge ゲージ (inch) (mm)	Length 長さ (cm)	Guide Bar ガイドバー		Saw Chain ソーチェン		Hard Nose ハード ノーズ 	Sprocket Nose スプロケット ノーズ 
			Key №	Type 形式	Key №	Type 形式		
3/8 9.53	0.050 1.27	20	A1	C20S91-35SA- ET	A2	91PX-35E		●
3/8 9.53	0.050 1.27	25	B1	C25S91-40SL- ET	B2	91PX-40E		●
3/8 9.53	0.050 1.27	30	C1	C30S91-47ML- EC	C2	91PX-47E		●

Rendered by LeadVenture, Inc.

GUIDE BAR, CHAIN

Ref Number	Part Number	Part Description	Context Notes	Quantity
A1	X120-000021	BAR,GUIDE 20		1
A2	X220-000020	CHAIN,SAW		1
B1	X121-000003	BAR,GUIDE 25		1
B2	X221-000100	CHAIN,SAW		1
C1	X122-000341	BAR,GUIDE 30		1
C2	X222-000140	CHAIN,SAW		1

CYLINDER, PISTON, CRANKSHAFT

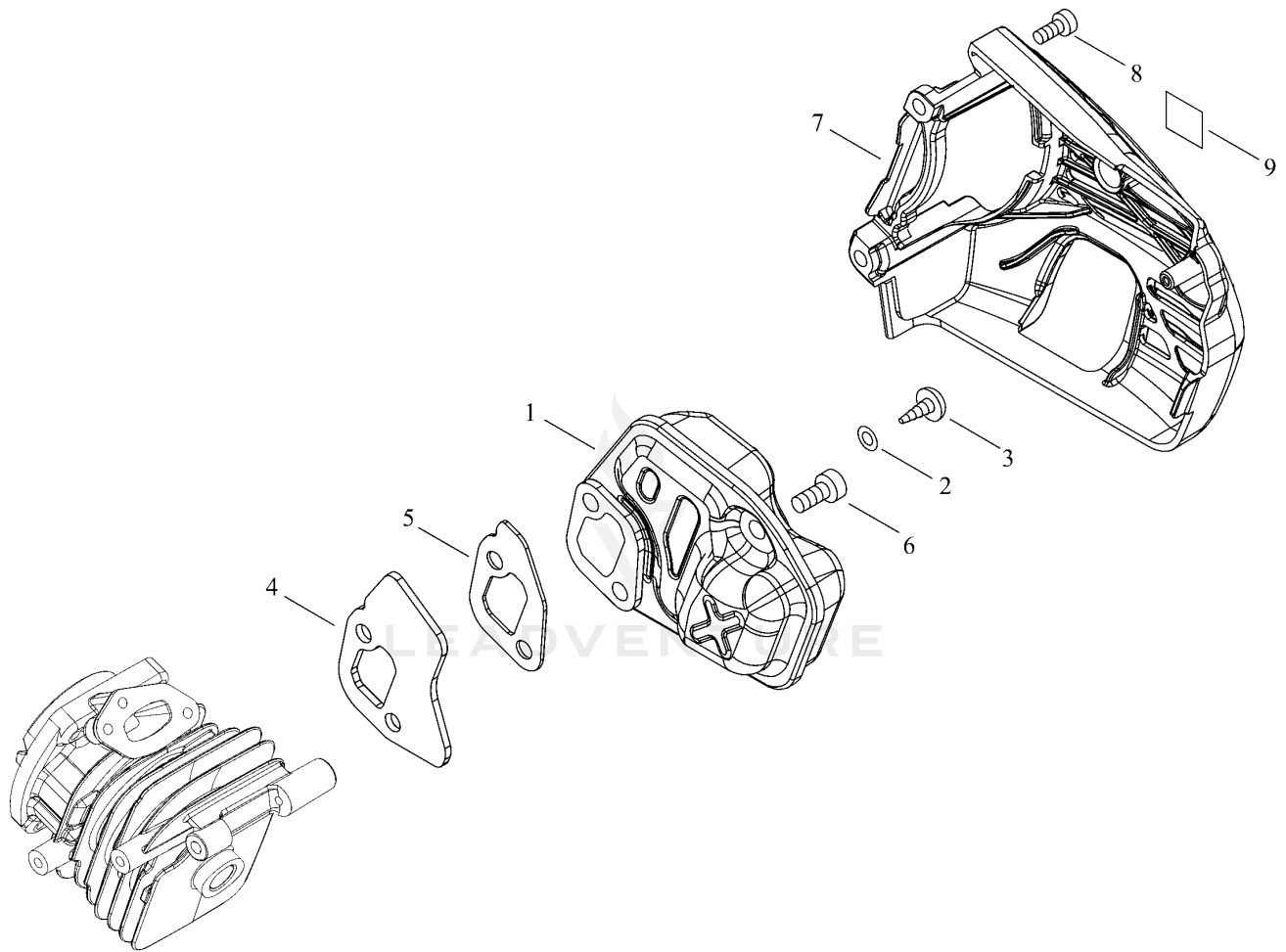


Rendered by LeadVenture, Inc.

CYLINDER, PISTON, CRANKSHAFT

Ref Number	Part Number	Part Description	Context Notes	Quantity
1	A011-001440	CRANKSHAFT,ASM		1
2	P021-050120	PISTON KIT		1
3	A101-000700	RING, PISTON		1
4	V553-000020	BEARING,NEEDLE 8		1
5	100014-55930	SPACER, PISTON PIN		2
6	V606-000020	PIN,ENG 8		1
7	100015-04630	CIRCLIP, PISTON PIN		2
8	P021-050130	CRANKCASE SET		1
9	900800-36001	BEARING, BALL		2
10	V505-000070	OIL SEAL		2
11	V102-000290	GASKET,CRANKCASE		1
12	V804-000100	BOLT, TORX 4		3
13	P021-051920	CYLINDER		1
14	V100-000830	GASKET,CYL		1
15	V804-000100	BOLT, TORX 4		4
16	C022-000211	AUTO-OILER ASSEMBLY		1
17	V470-002171	PIPE		1
18	V308-000030	WASHER,CIRCULAR 11		1
19	V652-000230	GEAR,WORM		1
20	V470-002200	PIPE		1
21	P021-050140	STRAINER, OIL ASY		1
22	V804-000050	BOLT, TORX 4		2
23	C236-000150	COVER,OILER		1

MUFFLER

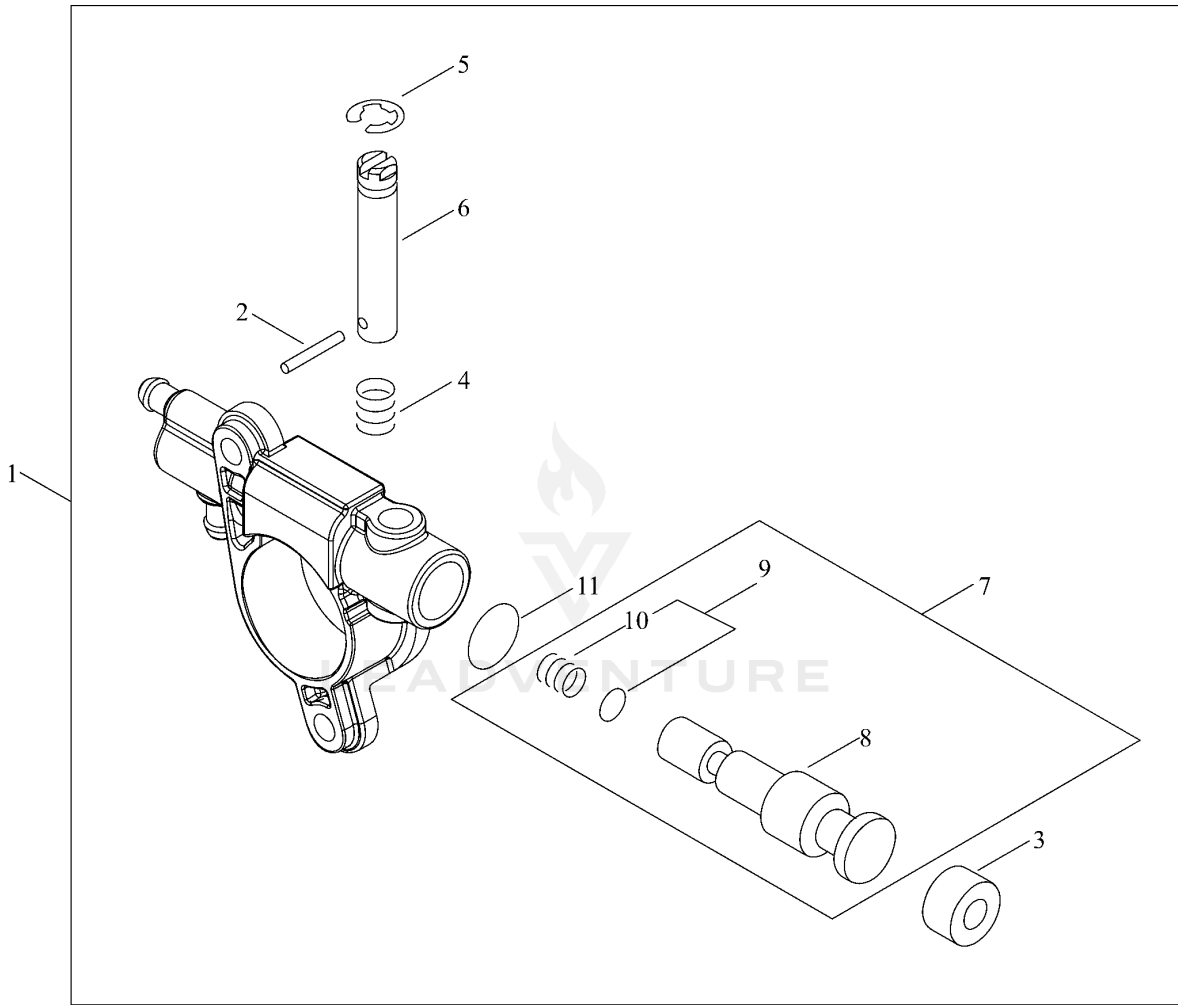


Rendered by LeadVenture, Inc.

MUFFLER

Ref Number	Part Number	Part Description	Context Notes	Quantity
1	A030-000851	MUFFLER ASY		1
2	900602-00004	WASHER		1
3	900216-04006	SCREW		1
4	A312-000090	PLATE, EXHUST		1
5	V104-002290	GASKET,EXHAUST		1
6	V805-000150	BOLT, TORX 5		3
7	A320-001160	COVER,MUFFLER		1
8	V804-000010	BOLT, TORX 4		2
9	X505-007710	LABEL,CAUTION		1

OILER

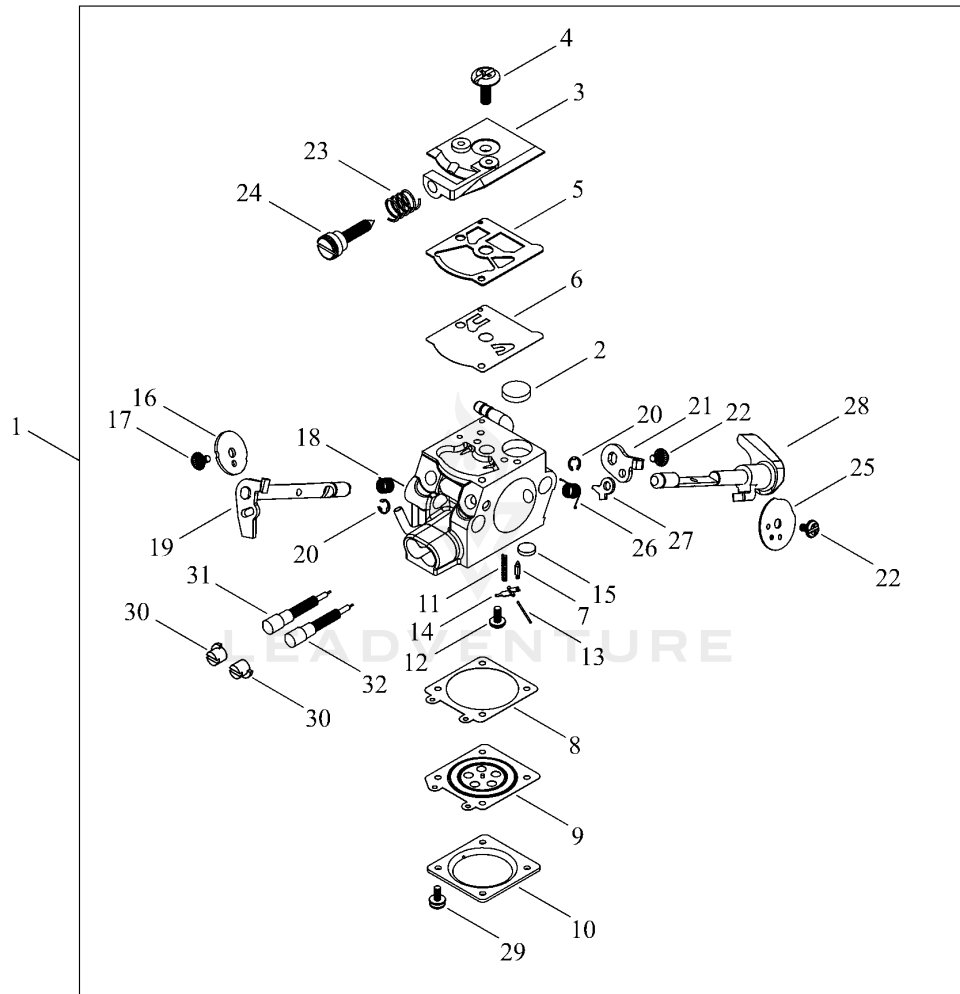


Rendered by LeadVenture, Inc.

OILER

Ref Number	Part Number	Part Description	Context Notes	Quantity
1	C022-000211	AUTO-OILER ASSEMBLY		1
2	P003-002180	PIN, SPRING		1
3	437062-38330	CAP, OIL PUMP		1
4	437015-37330	SPRING		1
5	123127-15030	RING		1
6	P003-005430	NEEDLE-ADJ		1
7	P200-000390	PLUNGER SHAFT KIT		1
8	P003-005990	SHAFT ASY-PLUNGER		1
9	P200-000490	SPRING WASHER KIT		1
10	P003-006000	SPRING		1
11	P003-005420	WASHER		1

CARBURETOR



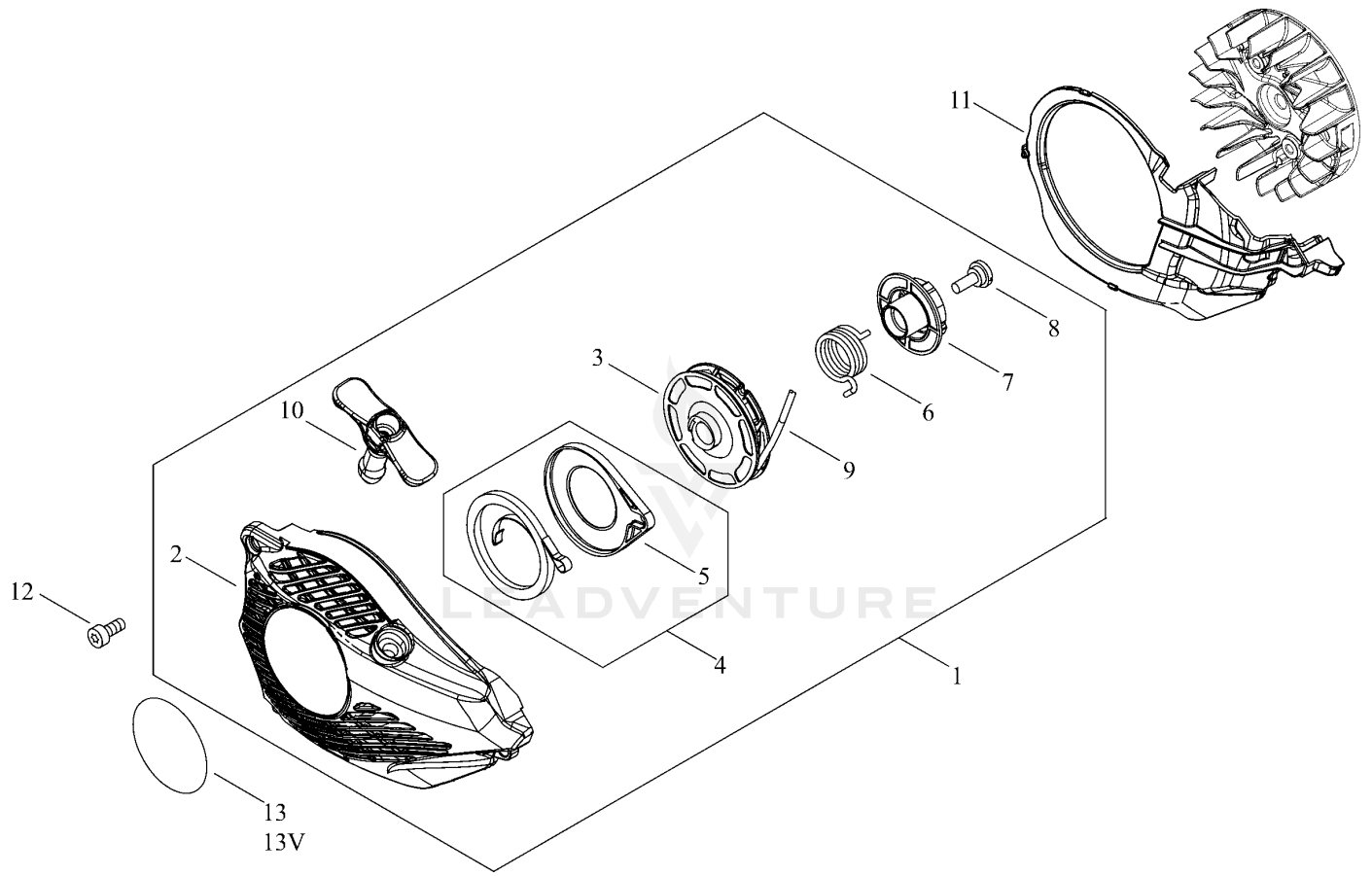
Rendered by LeadVenture, Inc.

CARBURETOR

Ref Number	Part Number	Part Description	Context Notes	Quantity
1	A021-004770	CARBURETOR,DIAPHRAGM		1
2	123126-10631	SCREEN, INLET		1
3	123124-02960	COVER, FUEL PUMP		1
4	123110-03930	SCREW, PUMP COVER		1
5	123125-15030	GASKET, FUEL PUMP		1
6	123112-15030	DIAPHRAGM, FUEL PUMP		1
7	123137-19830	VALVE, INLET NEEDLE		1
8	123140-27230	GASKET,M. DIAPHRAGM		1
9	P003-001850	DIAPHRAGM, METERING		1
10	123142-03930	COVER, M. DIAPHRAGM		1
11	123122-39830	SPRING, METER. LEVER		1
12	123139-03930	SCREW, M. LEVER PIN		1
13	123138-03930	PIN, METERING LEVER		1
14	123123-03930	LEVER, METERING		1
15	123146-10631	PLUG, WELCH		1
16	P003-005750	VALVE, THROTTLE		1
17	P003-002380	SCREW		1
18	123113-37530	SPRING, THROTTLE RTN		1
19	P003-001300	SHAFT, THROTTLE		1
20	123127-15030	RING		2
21	P003-000380	THROTTLE, LEVER		1
22	123114-38830	SCREW		2
23	123133-04260	SPRING, IDLE ADJUST		1
24	123134-04260	SCREW, IDLE ADJUST		1
25	P003-000410	VALVE CHOKE		1
26	P003-004780	SPRING		1
27	P003-001510	LEVER-FAST IDLE		1
28	P003-005760	SHAFT-CHOKE		1
29	123130-02960	SCREW		4

Ref Number	Part Number	Part Description	Context Notes	Quantity
30	P003-000010	LIMITER CAP		2
31	P003-004820	NEEDLE		1
32	123118-39231	NEEDLE, IDLE		1

RECOIL STARTER



Rendered by LeadVenture, Inc.

RECOIL STARTER

Ref Number	Part Number	Part Description	Context Notes	Quantity
1	A051-003132	STARTER,RECOIL ASY		1
2	P022-045300	CASE,STARTER ASY		1
3	P022-040050	DRUM		1
4	P022-040060	SPRING KIT, REWIND		1
5	P022-040070	SPRING CASE		1
6	P022-036670	SPRING,DAMPER		1
7	P022-040080	PLATE, CAM		1
8	177236-61830	SCREW		1
9	P022-040090	ROPE, STARTER		1
10	P022-048980	GRIP, STARTER		1
11	A172-003200	COVER,FAN		1
12	V804-000060	BOLT, TORX 4		3
13	X502-001030	LABEL,ECHO		1