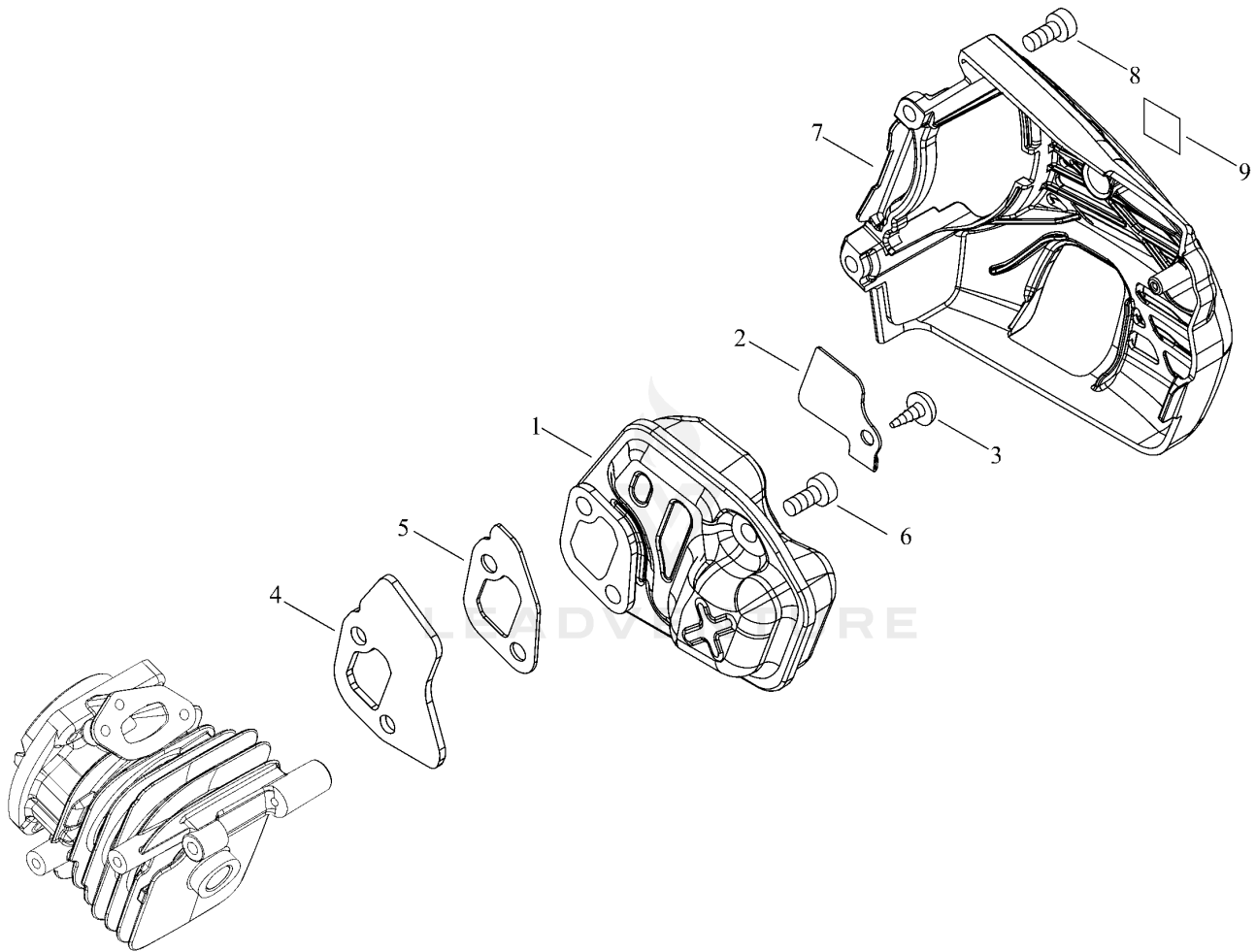


CS-2510TES_25C_37_37000001

TABLE OF CONTENTS

MUFFLER	3
CYLINDER, PISTON, CRANKSHAFT	5
ENGINE COVER	7
OPTION PARTS	10
OILER	12
AIR CLEANER, CARBURETOR	14
CHAIN BRAKE	16
MAGNETO	19
HANDLE	21
CARBURETOR	23
GUIDE BAR, CHAIN	26
RECOIL STARTER	28
ACCESSORIES	30

MUFFLER

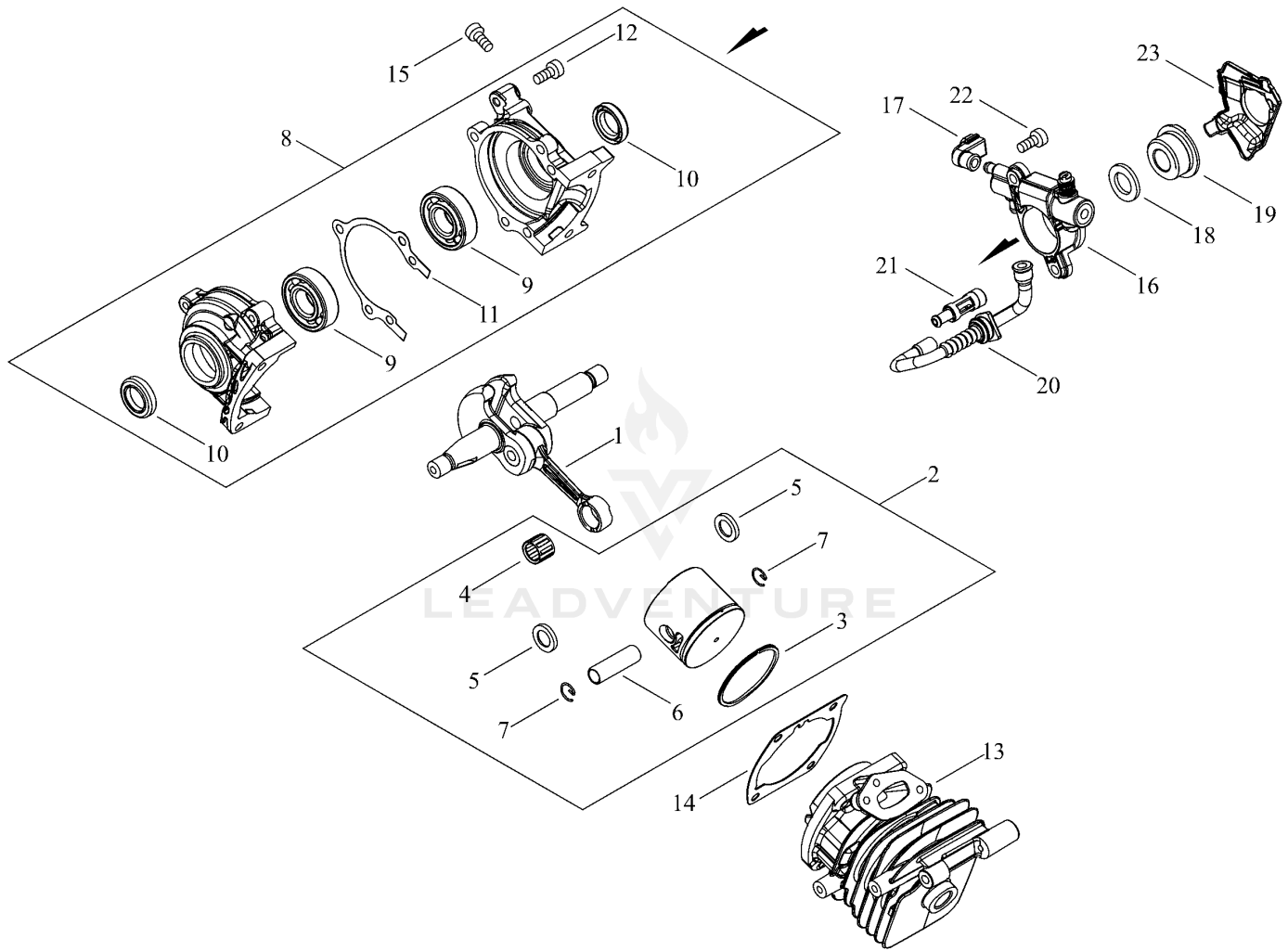


Rendered by LeadVenture, Inc.

MUFFLER

Ref Number	Part Number	Part Description	Context Notes	Quantity
1	A030-000840	MUFFLER ASY		1
2	A310-000490	SCREEN, ARRESTOR		1
3	V252-000970	SCREW,4		1
4	A312-000090	PLATE, EXHUST		1
5	V104-002290	GASKET,EXHAUST		1
6	V805-000150	BOLT, TORX 5		3
7	A320-001160	COVER,MUFFLER		1
8	V804-000000	BOLT, TORX 4		2
9	X505-007710	LABEL,CAUTION		1

CYLINDER, PISTON, CRANKSHAFT

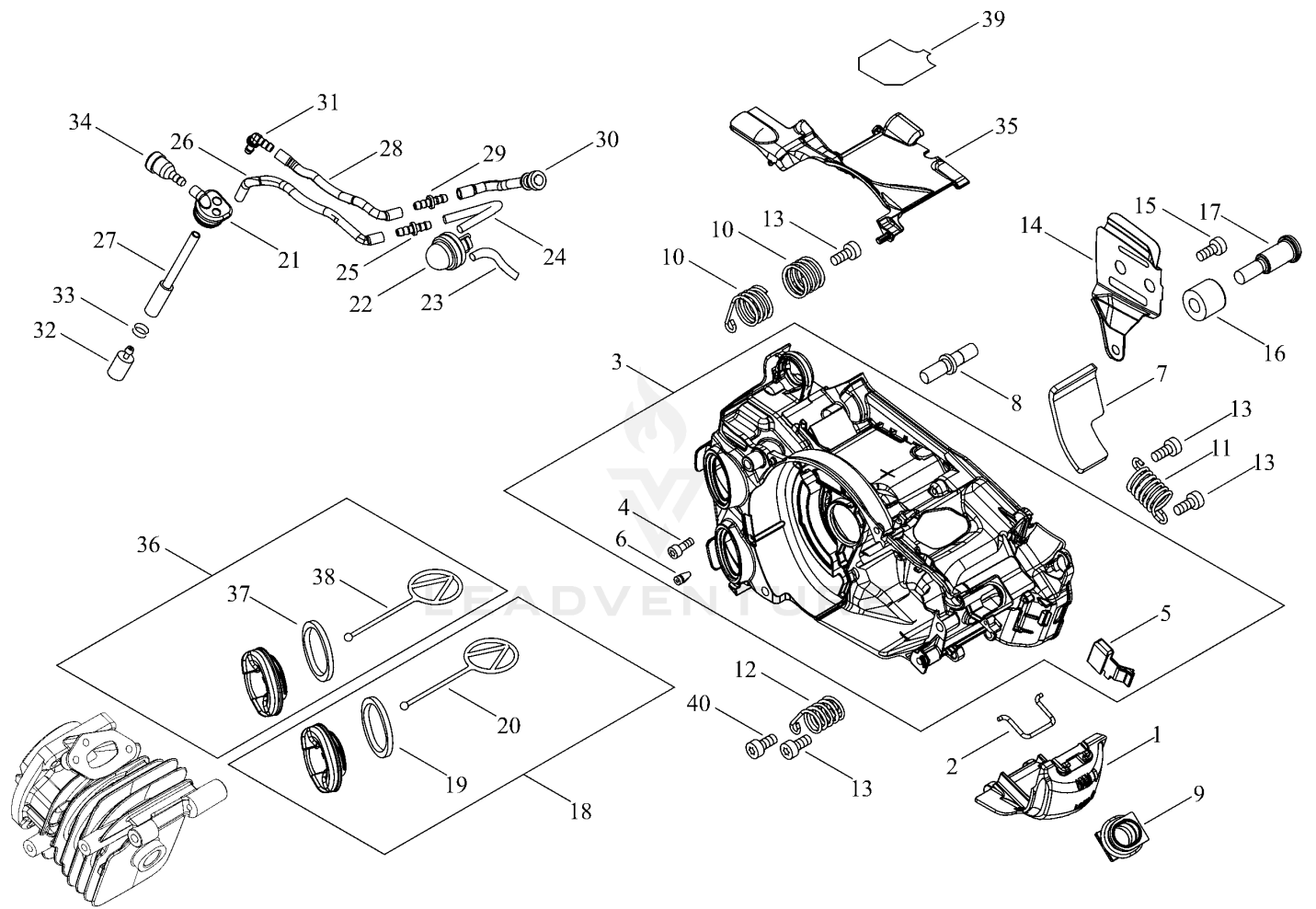


Rendered by LeadVenture, Inc.

CYLINDER, PISTON, CRANKSHAFT

Ref Number	Part Number	Part Description	Context Notes	Quantity
1	A011-001440	CRANKSHAFT,ASM		1
2	P021-050120	PISTON KIT		1
3	A101-000700	RING, PISTON		1
4	V553-000020	BEARING,NEEDLE 8		1
5	100014-55930	SPACER, PISTON PIN		2
6	V606-000020	PIN,ENG 8		1
7	100015-04630	CIRCLIP, PISTON PIN		2
8	P021-050130	CRANKCASE SET		1
9	900800-36001	BEARING, BALL		2
10	V505-000070	OIL SEAL		2
11	V102-000290	GASKET,CRANKCASE		1
12	V804-000100	BOLT, TORX 4		3
13	P021-050210	CYLINDER		1
14	V100-000830	GASKET,CYL		1
15	V804-000100	BOLT, TORX 4		4
16	C022-000211	AUTO-OILER ASSEMBLY		1
17	V470-002170	PIPE		1
18	V308-000030	WASHER,CIRCULAR 11		1
19	V652-000230	GEAR,WORM		1
20	V470-002200	PIPE		1
21	P021-050140	STRAINER, OIL ASY		1
22	V804-000050	BOLT, TORX 4		2
23	C236-000150	COVER,OILER		1

ENGINE COVER



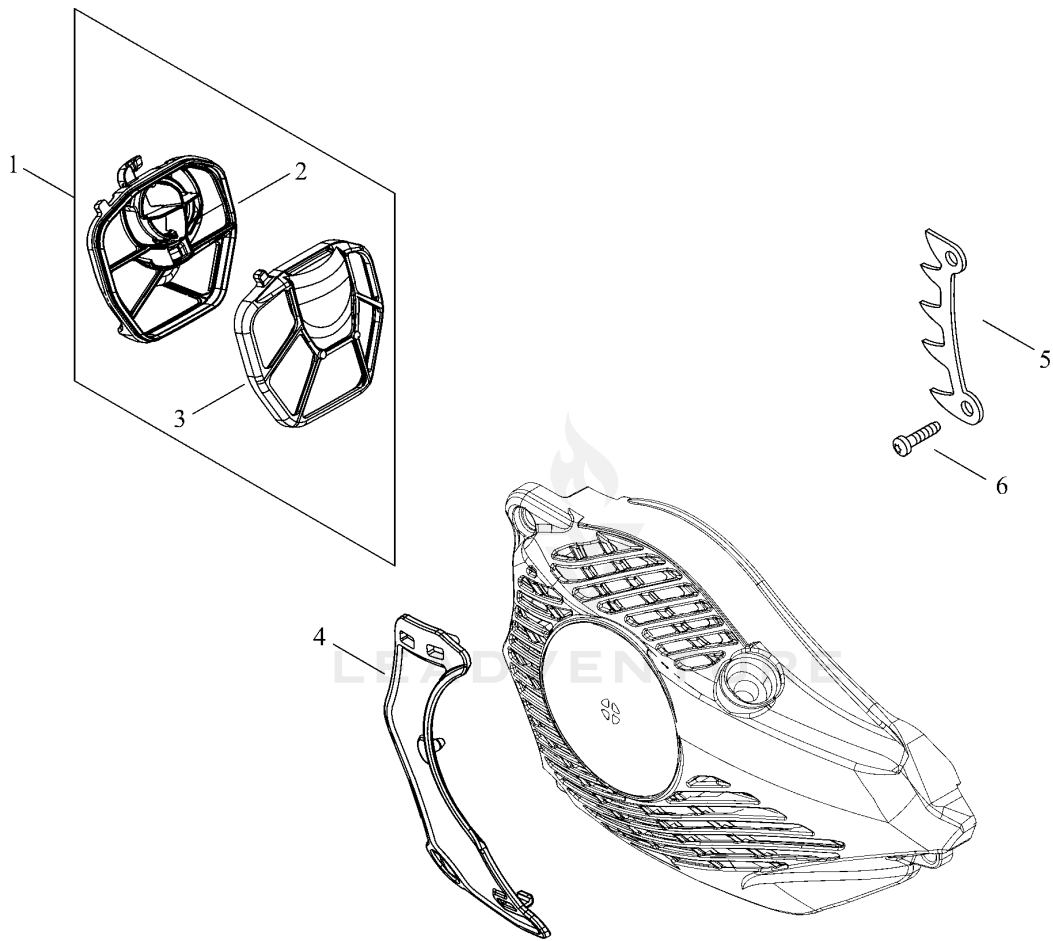
Rendered by LeadVenture, Inc.

ENGINE COVER

Ref Number	Part Number	Part Description	Context Notes	Quantity
1	A429-000200	COVER,CAP		1
2	C649-000440	HOOK		1
3	P021-050150	COVER ENGINE ASY		1
4	V804-000060	BOLT, TORX 4		3
5	A219-000070	SHUTTER, AIR		1
6	436114-13930	VALVE, CHECK		1
7	V341-000200	WASHER,SQUARE		1
8	V225-000262	BOLT,STUD 8		1
9	A239-000110	PIPE, INTAKE		1
10	V450-002050	SPRING,COMPRESSION		2
11	V450-002060	SPRING,COMPRESSION		1
12	V450-002070	SPRING,COMPRESSION		1
13	V804-000000	BOLT, TORX 4		4
14	C305-000490	PLATE,SPROCKET GUARD		1
15	V203-002280	BOLT,5		1
16	C310-000140	CATCHER, CHAIN		1
17	V203-002260	BOLT,5		1
18	A033-000390	OIL,CAP		1
19	V107-000090	GASKET		1
20	A365-000050	CONNECTOR,CAP		1
21	V137-000140	GROMMET,FUEL		1
22	123181-39130	PUMP, PRIMER		1
23	V470-002180	PIPE		1
24	V471-004870	PIPE		1
25	V186-000020	JOINT,PIPE		1
26	V471-003660	PIPE		1
27	V470-002210	PIPE		1
28	V471-003820	PIPE		1
29	V186-000510	JOINT,PIPE		1

Ref Number	Part Number	Part Description	Context Notes	Quantity
30	V470-002190	PIPE		1
31	V186-000530	JOINT,PIPE		1
32	A369-000420	STRAINER, FUEL		1
33	V490-000500	CLIP		1
34	131300-56431	VENT ASSEMBLY, FUEL		1
35	A127-000450	COVER,DUST		1
36	A033-000410	CAP,FUEL		1
37	V107-000090	GASKET		1
38	A365-000050	CONNECTOR,CAP		1
39	X505-008600	LABEL,CAUTION		1
40	V804-000010	BOLT, TORX 4		1

OPTION PARTS

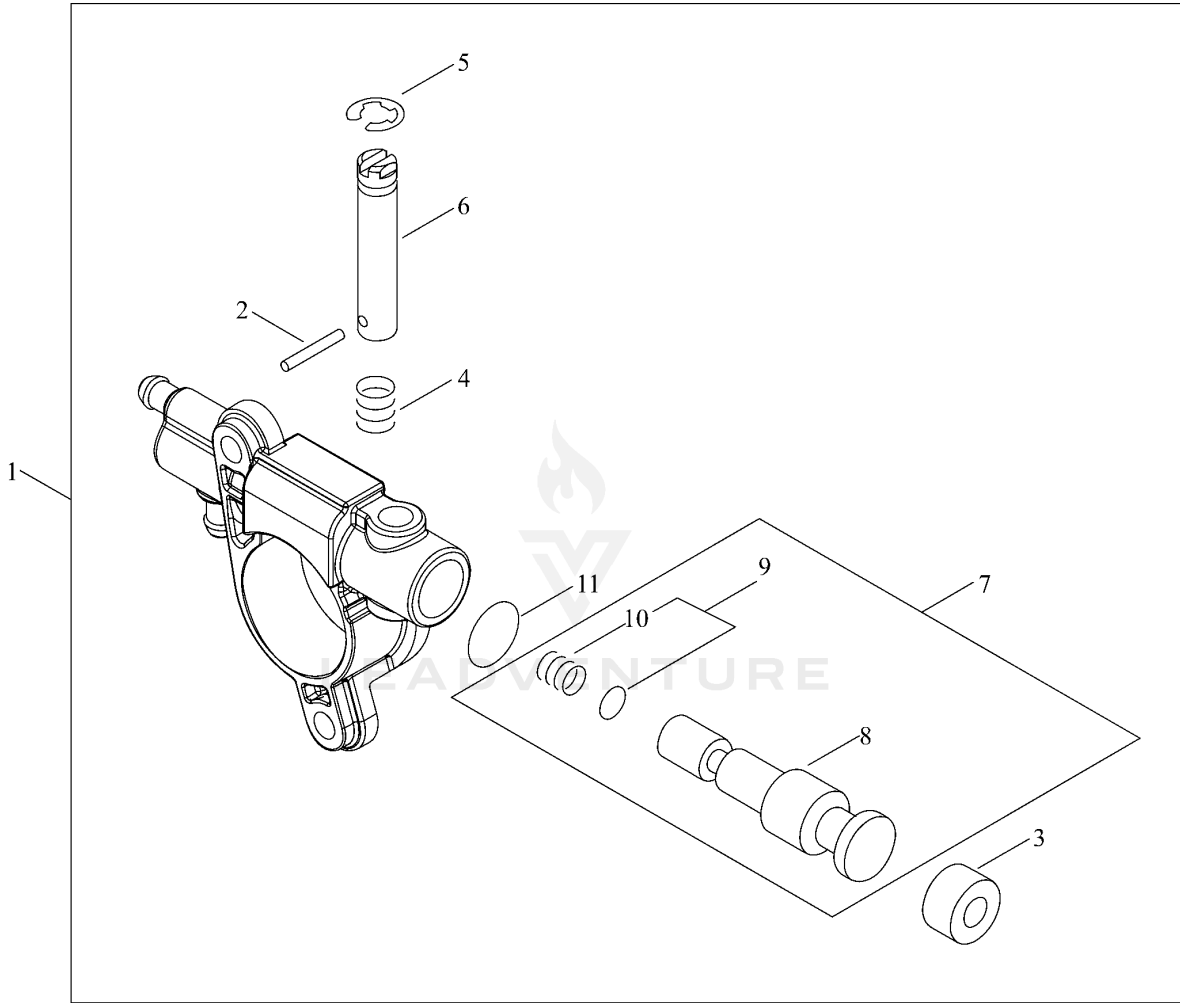


Rendered by LeadVenture, Inc.

OPTION PARTS

Ref Number	Part Number	Part Description	Context Notes	Quantity
1	A226-001990	ELEMENT, AIR FILTER		1
2	A226-001970	ELEMENT, AIR FILTER		1
3	A226-001980	ELEMENT, AIR FILTER		1
4	C418-000150	SHIELD, SNOW		1
5	C304-000000	SPIKE		1
6	V805-000240	BOLT, TORX 5		2

OILER

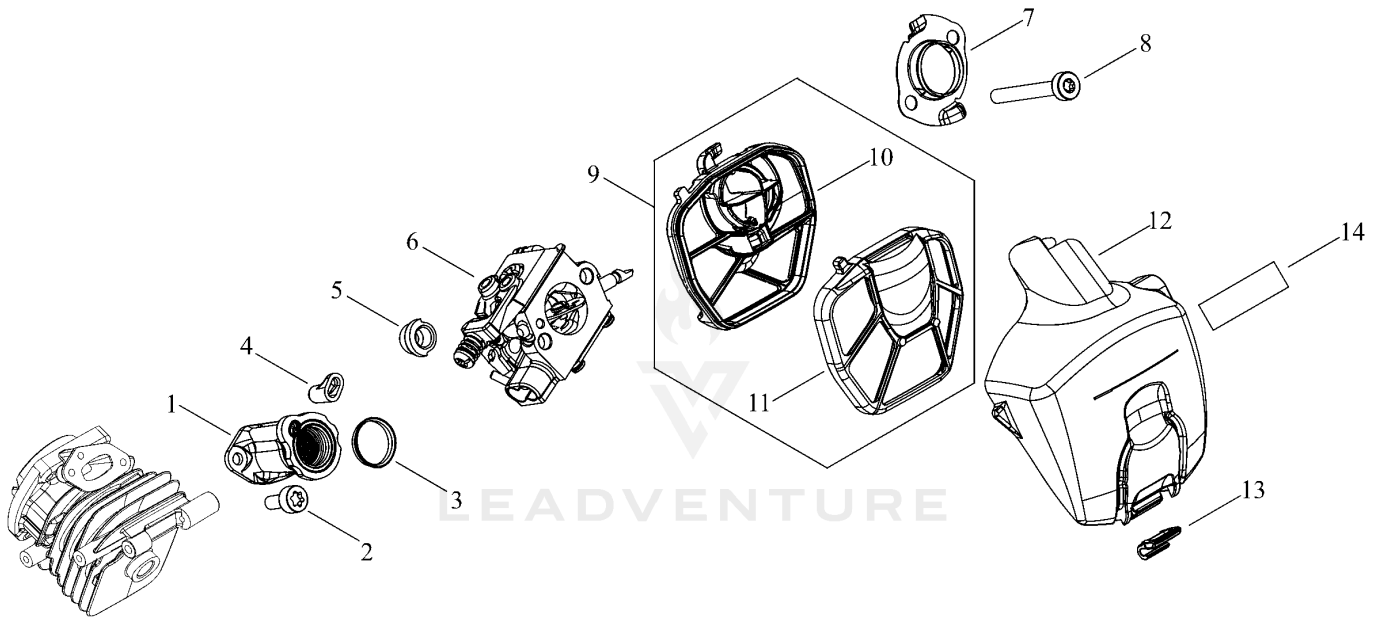


Rendered by LeadVenture, Inc.

OILER

Ref Number	Part Number	Part Description	Context Notes	Quantity
1	C022-000211	AUTO-OILER ASSEMBLY		1
2	P003-002180	PIN, SPRING		1
3	437062-38330	CAP, OIL PUMP		1
4	437015-37330	SPRING		1
5	123127-15030	RING		1
6	P003-005430	NEEDLE-ADJ		1
7	P200-000390	PLUNGER SHAFT KIT		1
8	P003-005990	SHAFT ASY-PLUNGER		1
9	P200-000490	SPRING WASHER KIT		1
10	P003-006000	SPRING		1
11	P003-005420	WASHER		1

AIR CLEANER, CARBURETOR

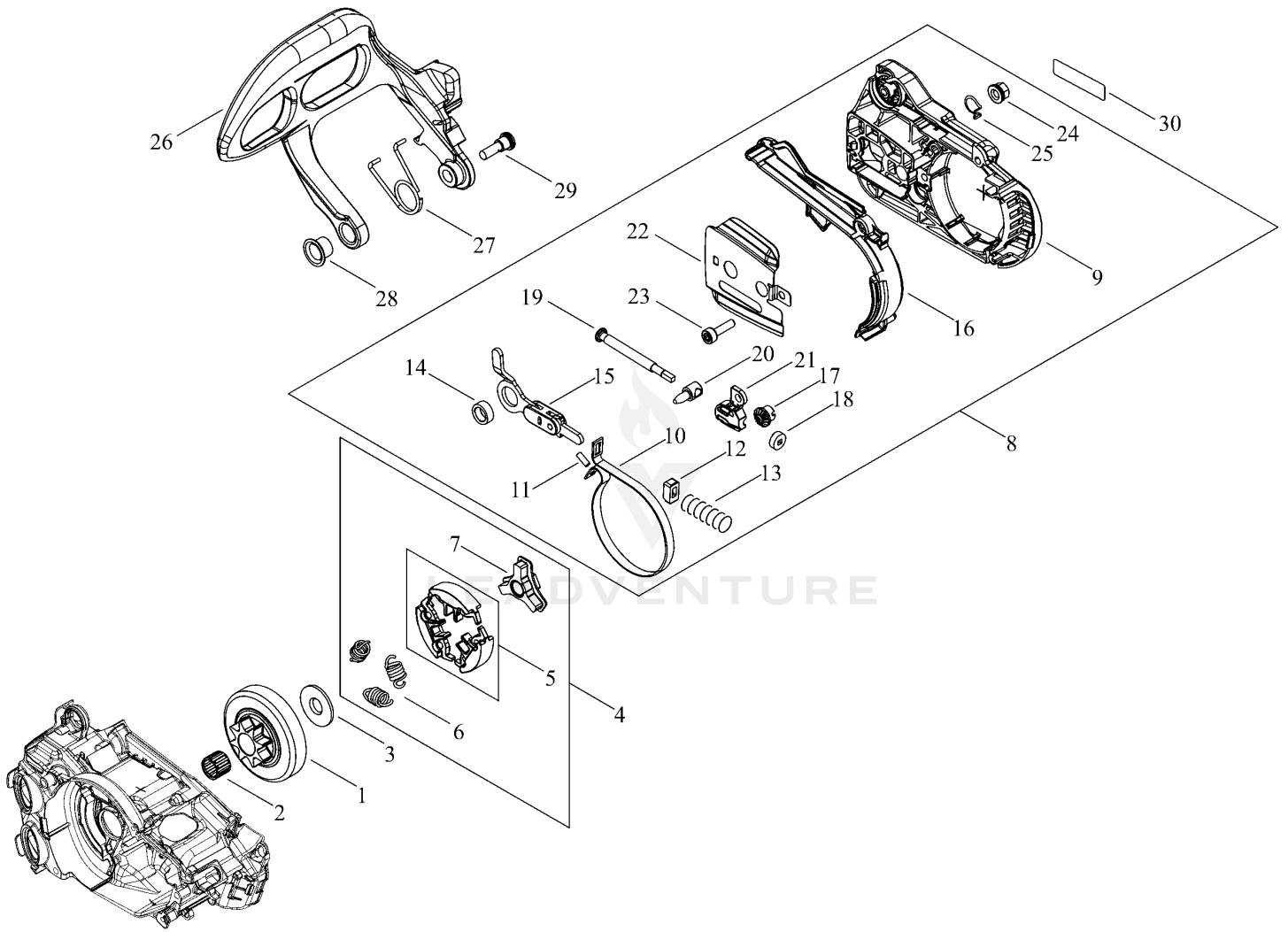


Rendered by LeadVenture, Inc.

AIR CLEANER, CARBURETOR

Ref Number	Part Number	Part Description	Context Notes	Quantity
1	A202-000290	BELLOWS, INTAKE		1
2	V804-000040	BOLT, TORX 4		2
3	V358-000220	COLLAR,14		1
4	V351-000030	COLLAR,3		1
5	V162-000770	PLUG		2
6	A021-004520	CARBURETOR,DIAPHRAGM		1
7	A204-000250	ELBOW, CARBURETOR		1
8	V805-000070	BOLT, TORX 5		2
9	A226-001960	ELEMENT,AIR FILTER		1
10	A226-001930	ELEMENT, AIR FILTER		1
11	A226-001940	ELEMENT, AIR FILTER		1
12	A232-001840	LID,CLEANER		1
13	A235-000410	KNOB,CLEANER LID		1
14	X503-013600	LABEL,MODEL		1

CHAIN BRAKE



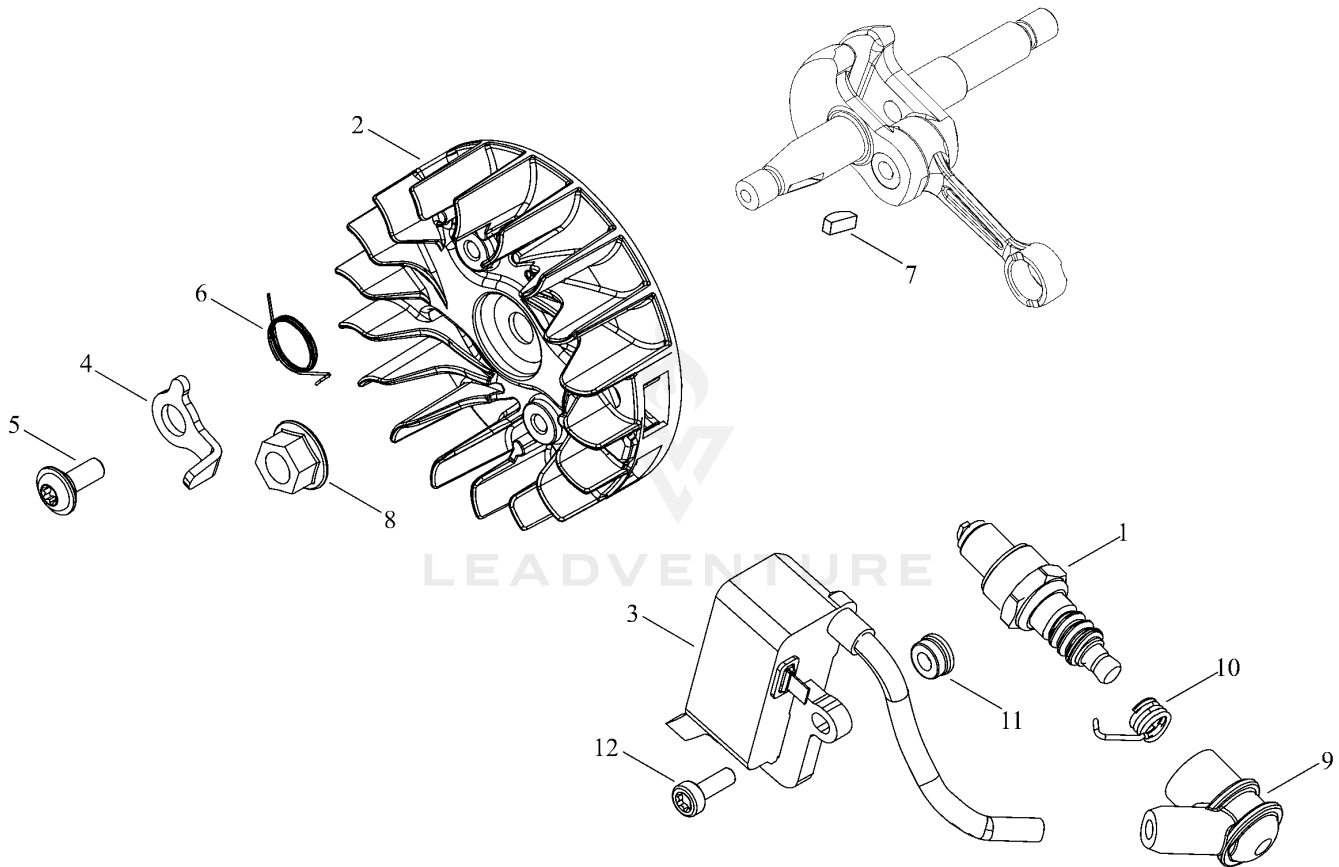
Rendered by LeadVenture, Inc.

CHAIN BRAKE

Ref Number	Part Number	Part Description	Context Notes	Quantity
1	A556-001710	DRUM, CLUTCH		1
2	V555-000190	BEARING,NEEDLE 10		1
3	A551-000170	PLATE, CLUTCH		1
4	A056-000800	CLUTCH ASY		1
5	P021-050190	CLUTCH SHOE SET		1
6	A566-000290	SPRING, CLUTCH		3
7	A552-000430	HUB, CLUTCH		1
8	P021-050200	GUARD, SPROCKET ASY		1
9	C300-001110	GUARD, SPROCKET		1
10	C328-000330	BAND, BRAKE		1
11	93050-30080	ROLLER		1
12	V376-000450	SPACER		1
13	V450-002080	SPRING,COMPRESSION		1
14	V355-000860	COLLAR,8		1
15	C334-000340	CONNECTOR, BRAKE		1
16	C345-000640	COVER,BRAKE		1
17	V651-001060	GEAR,BEVEL		1
18	V651-000011	GEAR,BEVEL		1
19	V203-000041	BOLT,5		1
20	C309-000110	TENSIONER,CHAIN		1
21	V355-000840	COLLAR,8		1
22	C305-000500	PLATE,SPROCKET GUARD		1
23	V804-000000	BOLT, TORX 4		3
24	V265-000550	NUT,8		1
25	C649-000420	HOOK		1
26	C320-000510	LEVER, BRAKE		1
27	V452-001660	SPRING,TORSION		1
28	V356-000780	COLLAR,10		1
29	V203-002270	BOLT,5		1

Ref Number	Part Number	Part Description	Context Notes	Quantity
30	X502-000340	LABEL,ECHO		1

MAGNETO

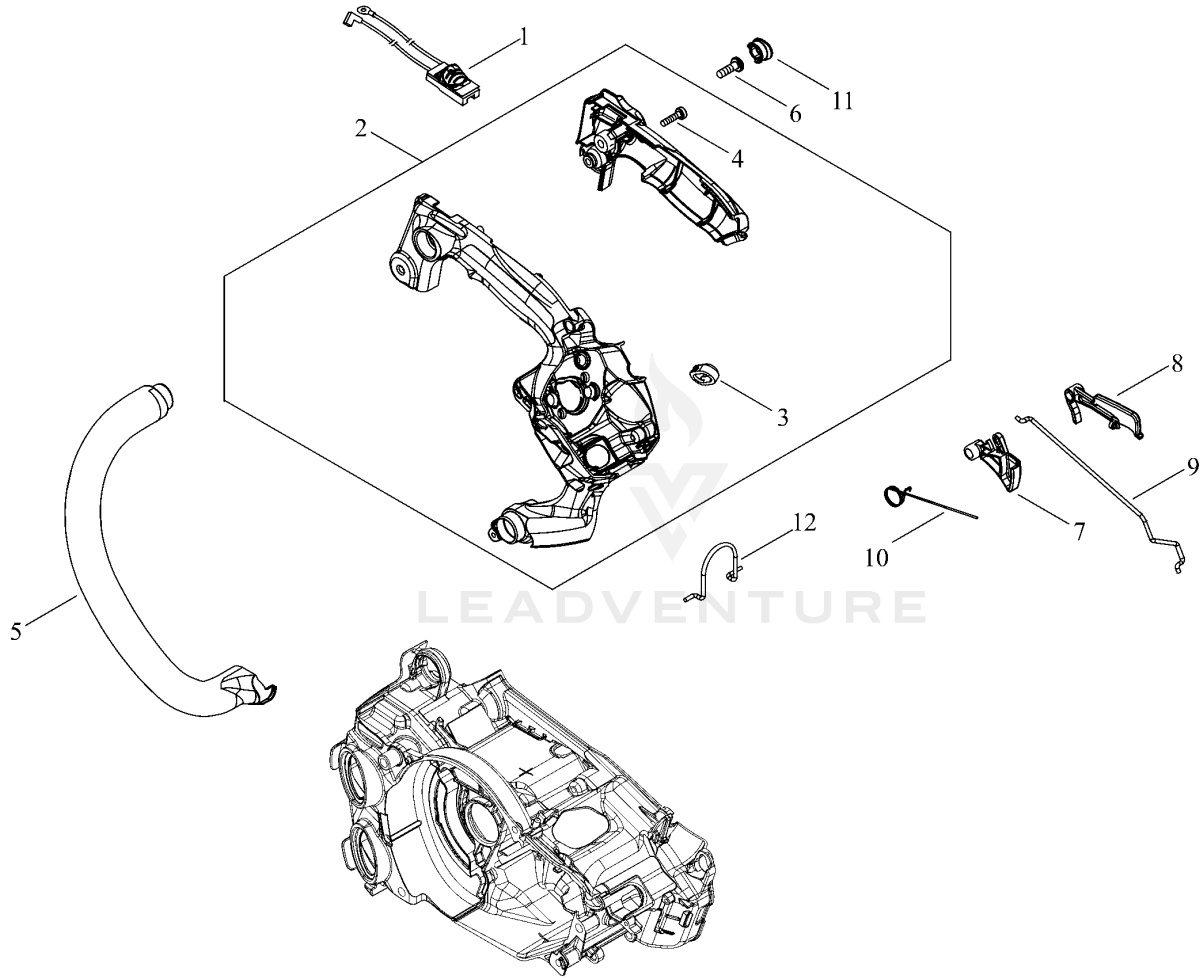


Rendered by LeadVenture, Inc.

MAGNETO

Ref Number	Part Number	Part Description	Context Notes	Quantity
1	A425-000060	SPARKPLUG		1
2	A409-001300	ROTOR, MAGNETO		1
3	P021-050161	COIL, IGNITION		1
4	A514-000300	PAWL		2
5	V203-002250	BOLT,5		2
6	V452-000030	SPRING,TORSION		2
7	100142-12330	KEY, WOODRUFF		1
8	V265-000140	NUT		1
9	A427-000190	CAP,SPARK PLUG		1
10	A426-000010	TERMINAL,SPARKPLUG		1
11	V352-000300	COLLAR,4		2
12	V804-000060	BOLT, TORX 4		2

HANDLE

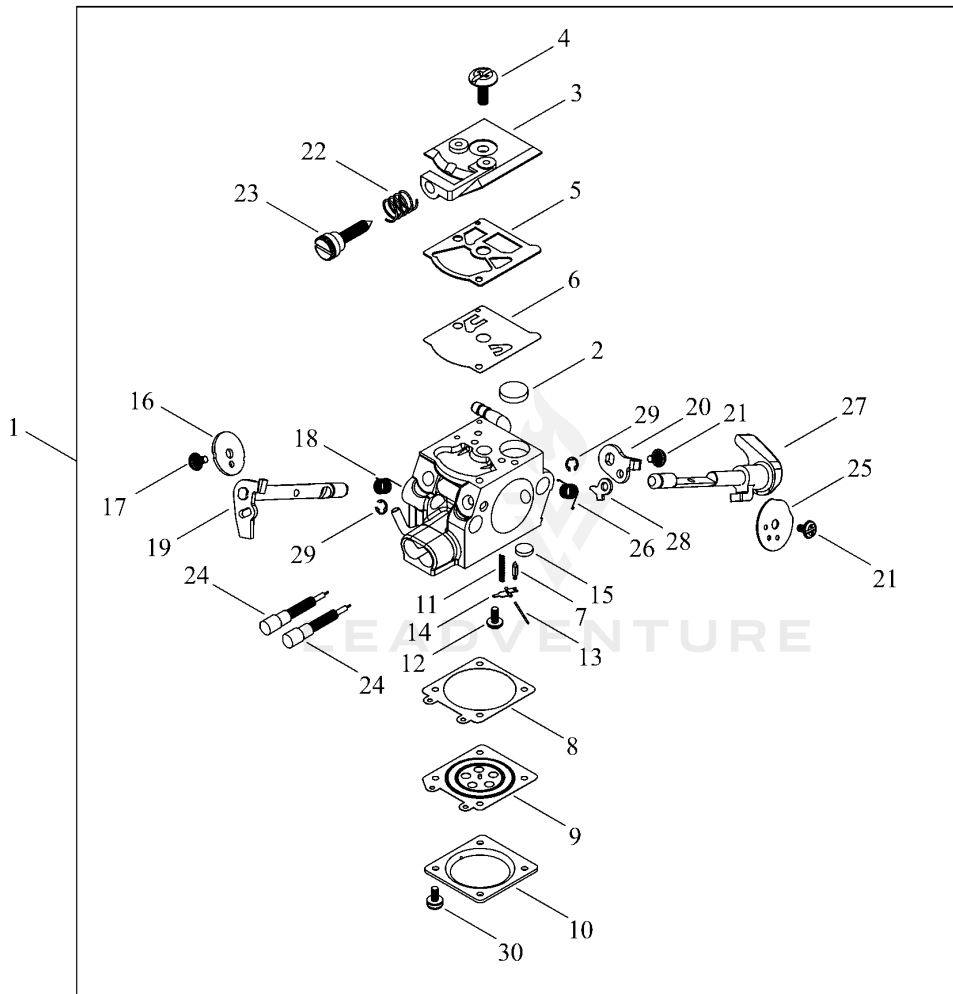


Rendered by LeadVenture, Inc.

HANDLE

Ref Number	Part Number	Part Description	Context Notes	Quantity
1	A440-002740	SWITCH,ON OFF		1
2	P100-002151	HANDLE SET, REAR		1
3	V131-000220	GROMMET,NEEDLE		1
4	V804-000010	BOLT, TORX 4		1
5	C400-001550	HANDLE, FRONT		1
6	V805-000000	BOLT, TORX 5		1
7	C450-000950	CONTROL, THROTTLE		1
8	C460-000590	LOCKOUT, THROTTLE		1
9	C454-000540	ROD, THROTTLE		1
10	V452-001650	SPRING,TORSION		1
11	V162-000760	PLUG		1
12	C646-000132	RING,HARNESS		1

CARBURETOR




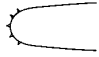
Rendered by LeadVenture, Inc.

CARBURETOR

Ref Number	Part Number	Part Description	Context Notes	Quantity
1	A021-004520	CARBURETOR,DIAPHRAGM		1
2	123126-10631	SCREEN, INLET		1
3	123124-02960	COVER, FUEL PUMP		1
4	123110-03930	SCREW, PUMP COVER		1
5	123125-15030	GASKET, FUEL PUMP		1
6	123112-15030	DIAPHRAGM, FUEL PUMP		1
7	123137-19830	VALVE, INLET NEEDLE		1
8	123140-27230	GASKET,M. DIAPHRAGM		1
9	P003-001850	DIAPHRAGM, METERING		1
10	123142-03930	COVER, M. DIAPHRAGM		1
11	123122-39830	SPRING, METER. LEVER		1
12	123139-03930	SCREW, M. LEVER PIN		1
13	123138-03930	PIN, METERING LEVER		1
14	123123-03930	LEVER, METERING		1
15	123146-10631	PLUG, WELCH		1
16	P003-005750	VALVE, THROTTLE		1
17	P003-002380	SCREW		1
18	123113-37530	SPRING, THROTTLE RTN		1
19	P003-001300	SHAFT, THROTTLE		1
20	P003-000380	THROTTLE, LEVER		1
21	123114-38830	SCREW		2
22	123133-04260	SPRING, IDLE ADJUST		1
23	123134-04260	SCREW, IDLE ADJUST		1
24	P003-004190	NEEDLE		2
25	P003-000410	VALVE CHOKE		1
26	P003-004780	SPRING		1
27	P003-005760	SHAFT-CHOKE		1
28	P003-001510	LEVER-FAST IDLE		1
29	123127-15030	RING		2

Ref Number	Part Number	Part Description	Context Notes	Quantity
30	123130-02960	SCREW		4

GUIDE BAR, CHAIN

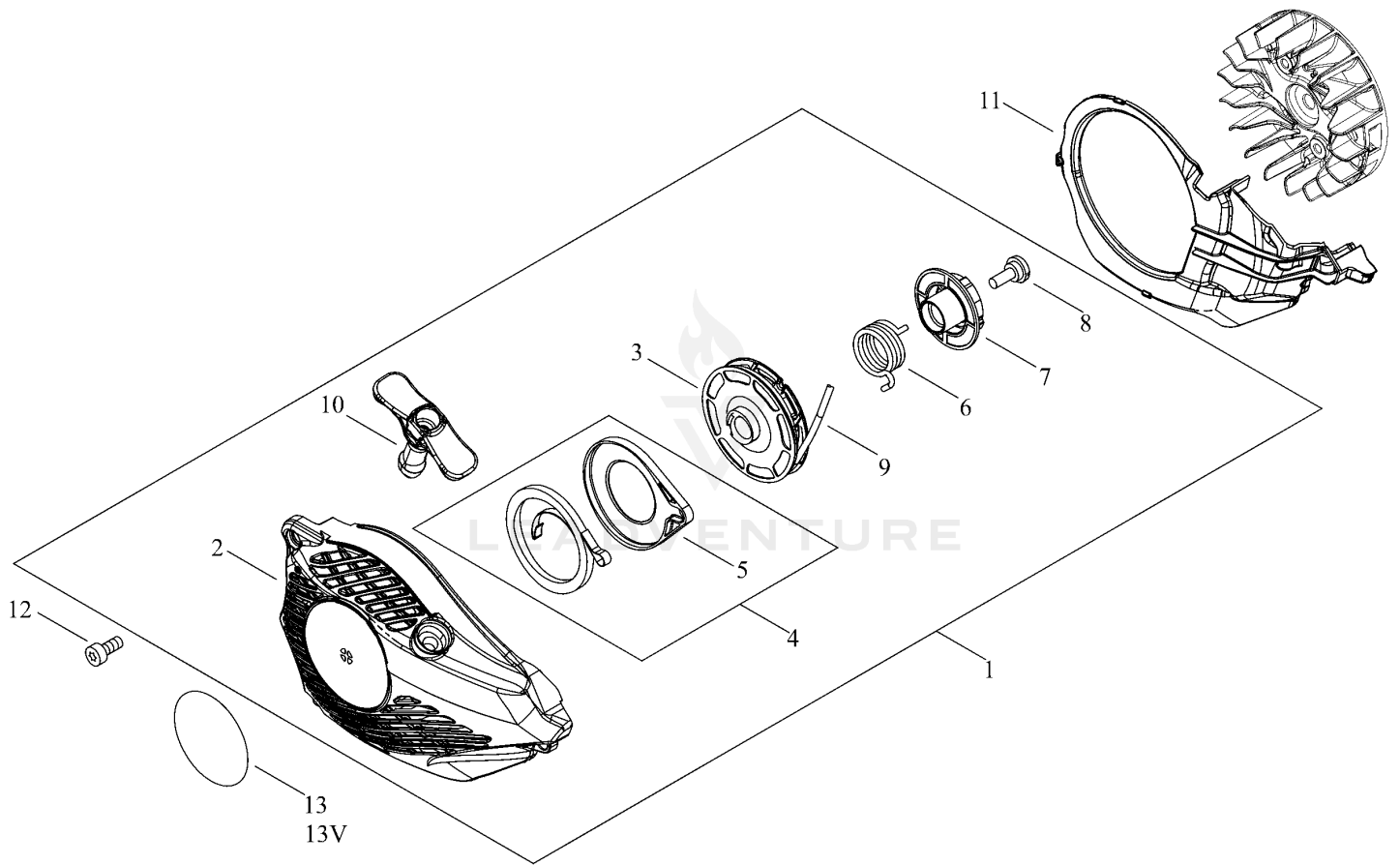
Pitch ピッチ (inch) (mm)	Gauge ゲージ (inch) (mm)	Length 長さ (cm)	Guide Bar ガイドバー		Saw Chain ソーチェーン		Hard Nose ハード ノーズ 	Sprocket Nose スプロケット ノーズ 
			Key No	Type 形式	Key No	Type 形式		
1/4 6.35	0.050 1.27	20	A1	C20H25-52CL- ED	A2	25AP-52E	●	
1/4 6.35	0.050 1.27	25	B1	C25H25-60CL- ET	B2	25AP-60E	●	
3/8 9.53	0.050 1.27	20	C1	20RC50S-3/8	C2	91PX-35E		●
3/8 9.53	0.050 1.27	25	D1	25RC50S-3/8	D2	91PX-40E		●
3/8 9.53	0.050 1.27	30	E1	30RC50M-3/8ECHO	E2	91PX-47E		●

Rendered by LeadVenture, Inc.

GUIDE BAR, CHAIN

Ref Number	Part Number	Part Description	Context Notes	Quantity
A1	X100-000060	BAR,GUIDE 20		1
A2	X200-000000	CHAIN,SAW		1
B1	X101-000011	BAR,GUIDE 25		1
B2	431610-10030	CHAIN, SAW 25AP-60E		1
C1	X120-000020	BAR,GUIDE20RC50S-3/8		1
C2	X220-000020	CHAIN,SAW		1
D1	X121-000002	BAR,GUIDE25RC50S-3/8		1
D2	X221-000100	CHAIN,SAW		1
E1	X122-000072	BAR,GUIDE 30		1
E2	X222-000140	CHAIN,SAW		1

RECOIL STARTER

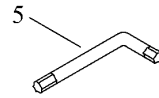
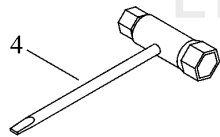
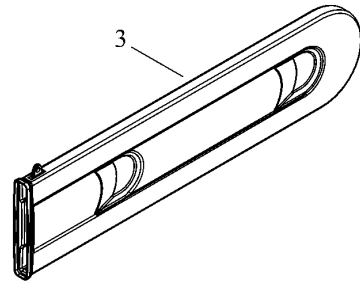
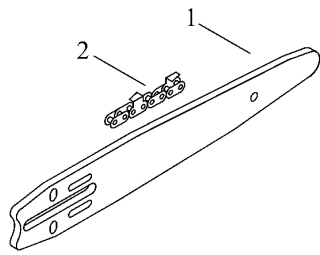


Rendered by LeadVenture, Inc.

RECOIL STARTER

Ref Number	Part Number	Part Description	Context Notes	Quantity
1	A051-003130	STARTER,RECOIL ASY		1
2	P022-040040	CASE,STARTER ASY		1
3	P022-040050	DRUM		1
4	P022-040060	SPRING KIT, REWIND		1
5	P022-040070	SPRING CASE		1
6	P022-036670	SPRING,DAMPER		1
7	P022-040080	PLATE, CAM		1
8	177236-61830	SCREW		1
9	P022-040090	ROPE, STARTER		1
10	P022-040100	GRIP, STARTER		1
11	A172-003030	COVER,FAN		1
12	V804-000060	BOLT, TORX 4		3
13	X502-001030	LABEL,ECHO		1
13V	X502-001110	LABEL,ECHO		1

ACCESSORIES



LEADVENTURE

Rendered by LeadVenture, Inc.

ACCESSORIES

Ref Number	Part Number	Part Description	Context Notes	Quantity
1	X101-000011	BAR,GUIDE 25		1
2	431610-10030	CHAIN, SAW 25AP-60E		1
3	X490-000840	SCABBARD,CHAIN		1
4	X602-000160	PLUG WRENCH		1
5	X605-000170	TOOL,L WRENCH		1