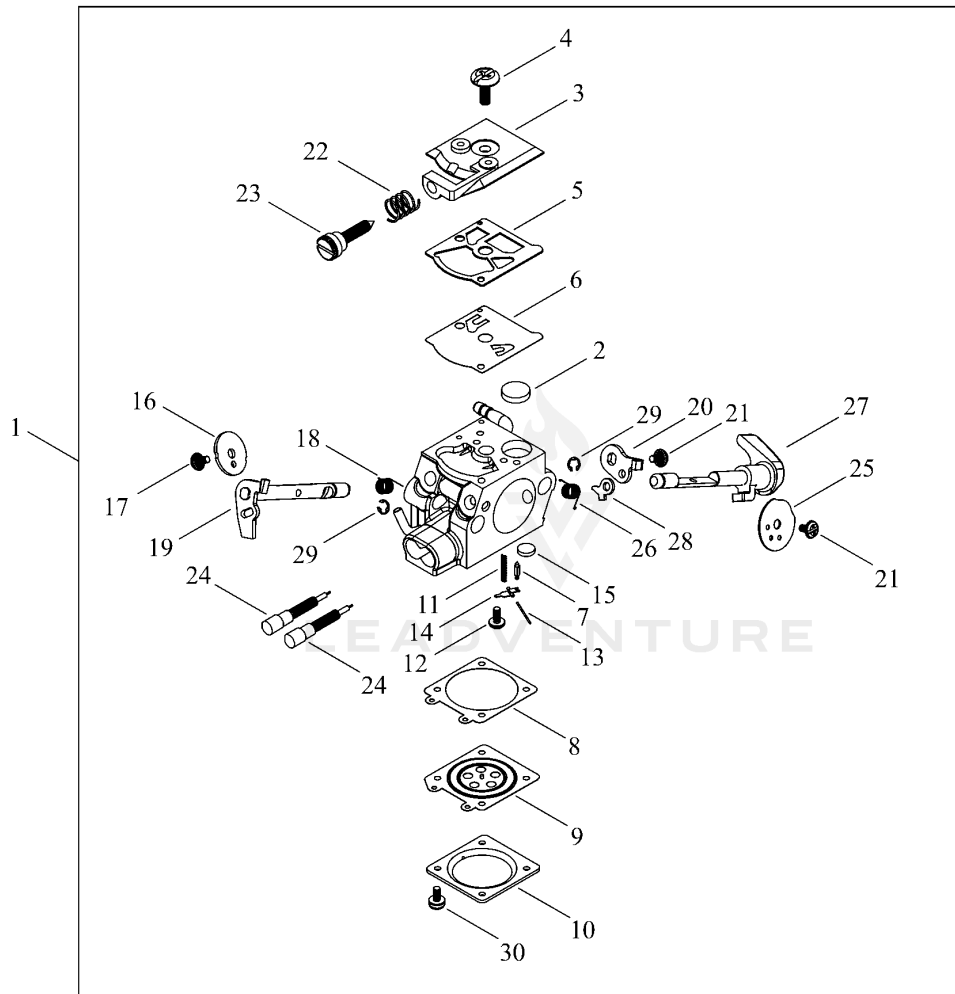


CS-2510TES_20C_37_37000001

TABLE OF CONTENTS

| | |
|------------------------------------|----|
| CARBURETOR | 3 |
| MAGNETO | 6 |
| ENGINE COVER | 8 |
| AIR CLEANER, CARBURETOR | 11 |
| MUFFLER | 13 |
| RECOIL STARTER | 15 |
| CHAIN BRAKE | 17 |
| CYLINDER, PISTON, CRANKSHAFT | 20 |
| HANDLE | 22 |
| OILER | 24 |
| ACCESSORIES | 26 |
| GUIDE BAR, CHAIN | 28 |
| OPTION PARTS | 30 |

CARBURETOR



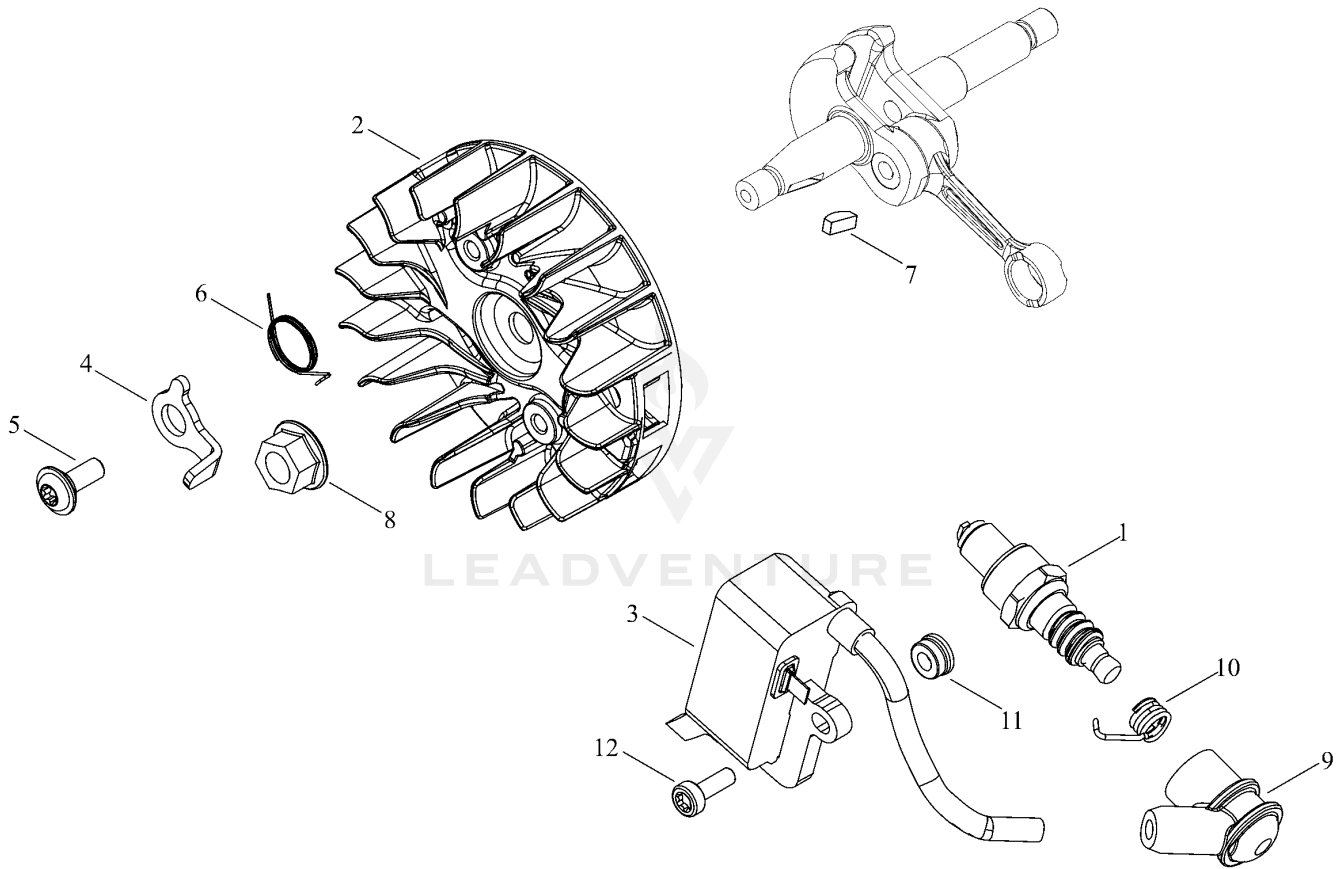
Rendered by LeadVenture, Inc.

CARBURETOR

| Ref Number | Part Number | Part Description | Context Notes | Quantity |
|------------|--------------|----------------------|---------------|----------|
| 1 | A021-004520 | CARBURETOR,DIAPHRAGM | | 1 |
| 2 | 123126-10631 | SCREEN, INLET | | 1 |
| 3 | 123124-02960 | COVER, FUEL PUMP | | 1 |
| 4 | 123110-03930 | SCREW, PUMP COVER | | 1 |
| 5 | 123125-15030 | GASKET, FUEL PUMP | | 1 |
| 6 | 123112-15030 | DIAPHRAGM, FUEL PUMP | | 1 |
| 7 | 123137-19830 | VALVE, INLET NEEDLE | | 1 |
| 8 | 123140-27230 | GASKET,M. DIAPHRAGM | | 1 |
| 9 | P003-001850 | DIAPHRAGM, METERING | | 1 |
| 10 | 123142-03930 | COVER, M. DIAPHRAGM | | 1 |
| 11 | 123122-39830 | SPRING, METER. LEVER | | 1 |
| 12 | 123139-03930 | SCREW, M. LEVER PIN | | 1 |
| 13 | 123138-03930 | PIN, METERING LEVER | | 1 |
| 14 | 123123-03930 | LEVER, METERING | | 1 |
| 15 | 123146-10631 | PLUG, WELCH | | 1 |
| 16 | P003-005750 | VALVE, THROTTLE | | 1 |
| 17 | P003-002380 | SCREW | | 1 |
| 18 | 123113-37530 | SPRING, THROTTLE RTN | | 1 |
| 19 | P003-001300 | SHAFT, THROTTLE | | 1 |
| 20 | P003-000380 | THROTTLE, LEVER | | 1 |
| 21 | 123114-38830 | SCREW | | 2 |
| 22 | 123133-04260 | SPRING, IDLE ADJUST | | 1 |
| 23 | 123134-04260 | SCREW, IDLE ADJUST | | 1 |
| 24 | P003-004190 | NEEDLE | | 2 |
| 25 | P003-000410 | VALVE CHOKE | | 1 |
| 26 | P003-004780 | SPRING | | 1 |
| 27 | P003-005760 | SHAFT-CHOKE | | 1 |
| 28 | P003-001510 | LEVER-FAST IDLE | | 1 |
| 29 | 123127-15030 | RING | | 2 |

| Ref Number | Part Number | Part Description | Context Notes | Quantity |
|-------------------|--------------------|-------------------------|----------------------|-----------------|
| 30 | 123130-02960 | SCREW | | 4 |

MAGNETO

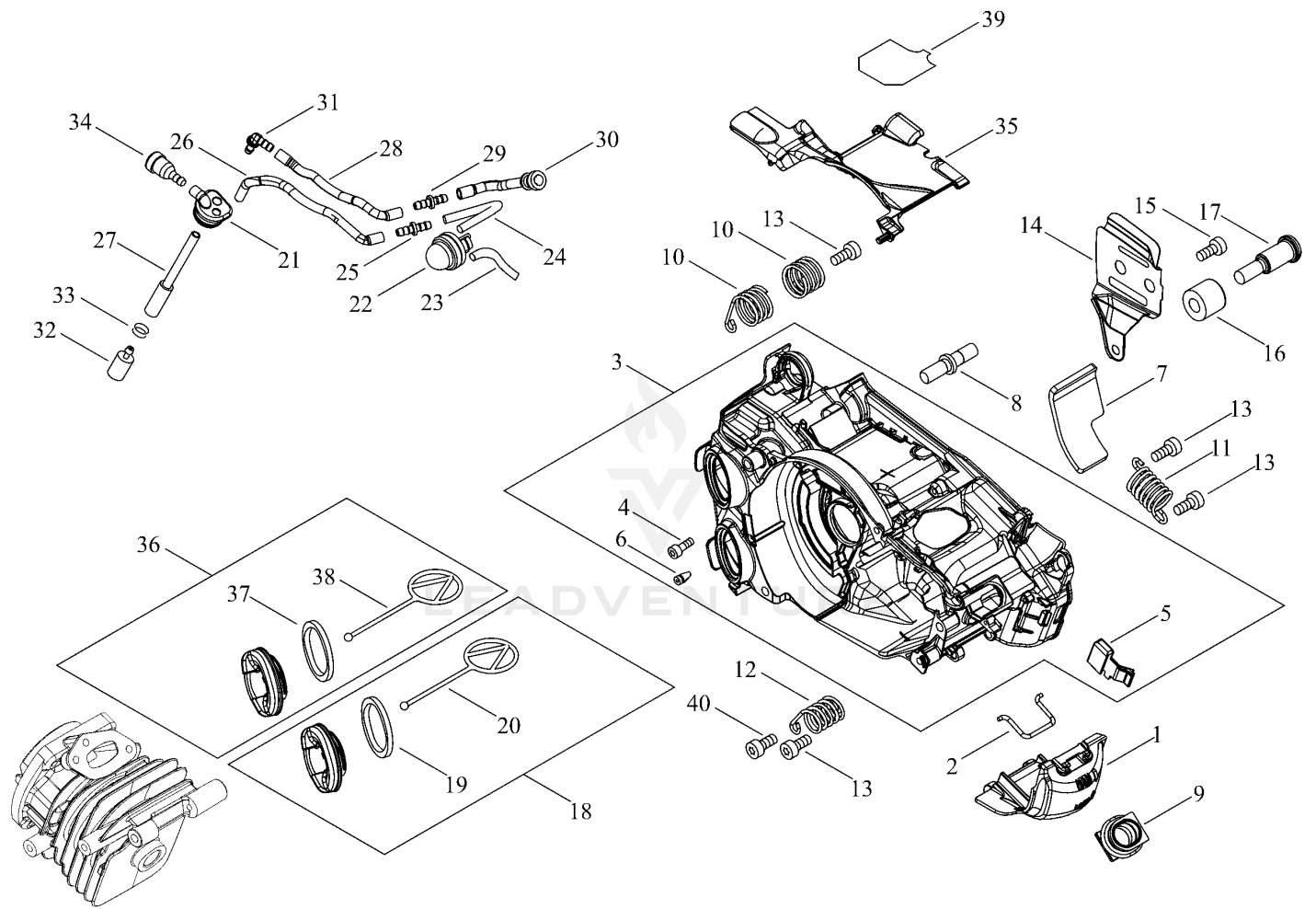


Rendered by LeadVenture, Inc.

MAGNETO

| Ref Number | Part Number | Part Description | Context Notes | Quantity |
|-------------------|--------------------|-------------------------|----------------------|-----------------|
| 1 | A425-000060 | SPARKPLUG | | 1 |
| 2 | A409-001300 | ROTOR, MAGNETO | | 1 |
| 3 | P021-050161 | COIL, IGNITION | | 1 |
| 4 | A514-000300 | PAWL | | 2 |
| 5 | V203-002250 | BOLT,5 | | 2 |
| 6 | V452-000030 | SPRING,TORSION | | 2 |
| 7 | 100142-12330 | KEY, WOODRUFF | | 1 |
| 8 | V265-000140 | NUT | | 1 |
| 9 | A427-000190 | CAP,SPARK PLUG | | 1 |
| 10 | A426-000010 | TERMINAL,SPARKPLUG | | 1 |
| 11 | V352-000300 | COLLAR,4 | | 2 |
| 12 | V804-000060 | BOLT, TORX 4 | | 2 |

ENGINE COVER



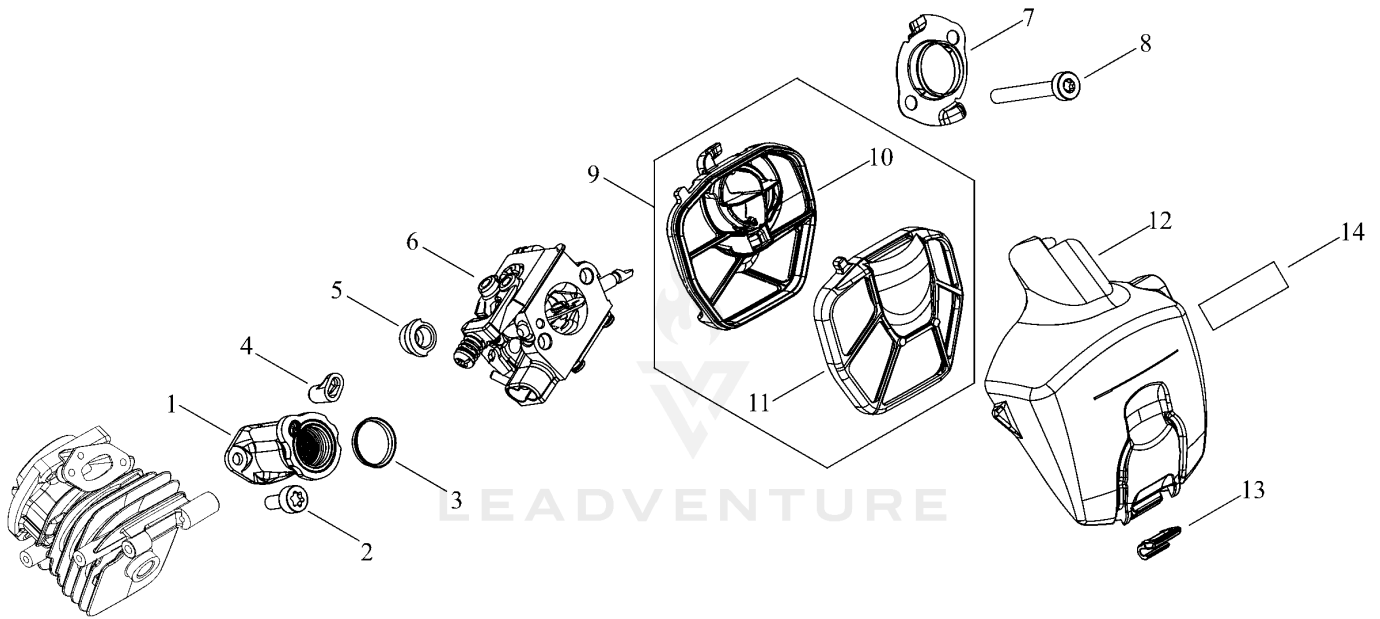
Rendered by LeadVenture, Inc.

ENGINE COVER

| Ref Number | Part Number | Part Description | Context Notes | Quantity |
|------------|--------------|----------------------|---------------|----------|
| 1 | A429-000200 | COVER,CAP | | 1 |
| 2 | C649-000440 | HOOK | | 1 |
| 3 | P021-050150 | COVER ENGINE ASY | | 1 |
| 4 | V804-000060 | BOLT, TORX 4 | | 3 |
| 5 | A219-000070 | SHUTTER, AIR | | 1 |
| 6 | 436114-13930 | VALVE, CHECK | | 1 |
| 7 | V341-000200 | WASHER,SQUARE | | 1 |
| 8 | V225-000262 | BOLT,STUD 8 | | 1 |
| 9 | A239-000110 | PIPE, INTAKE | | 1 |
| 10 | V450-002050 | SPRING,COMPRESSION | | 2 |
| 11 | V450-002060 | SPRING,COMPRESSION | | 1 |
| 12 | V450-002070 | SPRING,COMPRESSION | | 1 |
| 13 | V804-000000 | BOLT, TORX 4 | | 4 |
| 14 | C305-000490 | PLATE,SPROCKET GUARD | | 1 |
| 15 | V203-002280 | BOLT,5 | | 1 |
| 16 | C310-000140 | CATCHER, CHAIN | | 1 |
| 17 | V203-002260 | BOLT,5 | | 1 |
| 18 | A033-000390 | OIL,CAP | | 1 |
| 19 | V107-000090 | GASKET | | 1 |
| 20 | A365-000050 | CONNECTOR,CAP | | 1 |
| 21 | V137-000140 | GROMMET,FUEL | | 1 |
| 22 | 123181-39130 | PUMP, PRIMER | | 1 |
| 23 | V470-002180 | PIPE | | 1 |
| 24 | V471-004870 | PIPE | | 1 |
| 25 | V186-000020 | JOINT,PIPE | | 1 |
| 26 | V471-003660 | PIPE | | 1 |
| 27 | V470-002210 | PIPE | | 1 |
| 28 | V471-003820 | PIPE | | 1 |
| 29 | V186-000510 | JOINT,PIPE | | 1 |

| Ref Number | Part Number | Part Description | Context Notes | Quantity |
|-------------------|--------------------|-------------------------|----------------------|-----------------|
| 30 | V470-002190 | PIPE | | 1 |
| 31 | V186-000530 | JOINT,PIPE | | 1 |
| 32 | A369-000420 | STRAINER, FUEL | | 1 |
| 33 | V490-000500 | CLIP | | 1 |
| 34 | 131300-56431 | VENT ASSEMBLY, FUEL | | 1 |
| 35 | A127-000450 | COVER,DUST | | 1 |
| 36 | A033-000410 | CAP,FUEL | | 1 |
| 37 | V107-000090 | GASKET | | 1 |
| 38 | A365-000050 | CONNECTOR,CAP | | 1 |
| 39 | X505-008600 | LABEL,CAUTION | | 1 |
| 40 | V804-000010 | BOLT, TORX 4 | | 1 |

AIR CLEANER, CARBURETOR

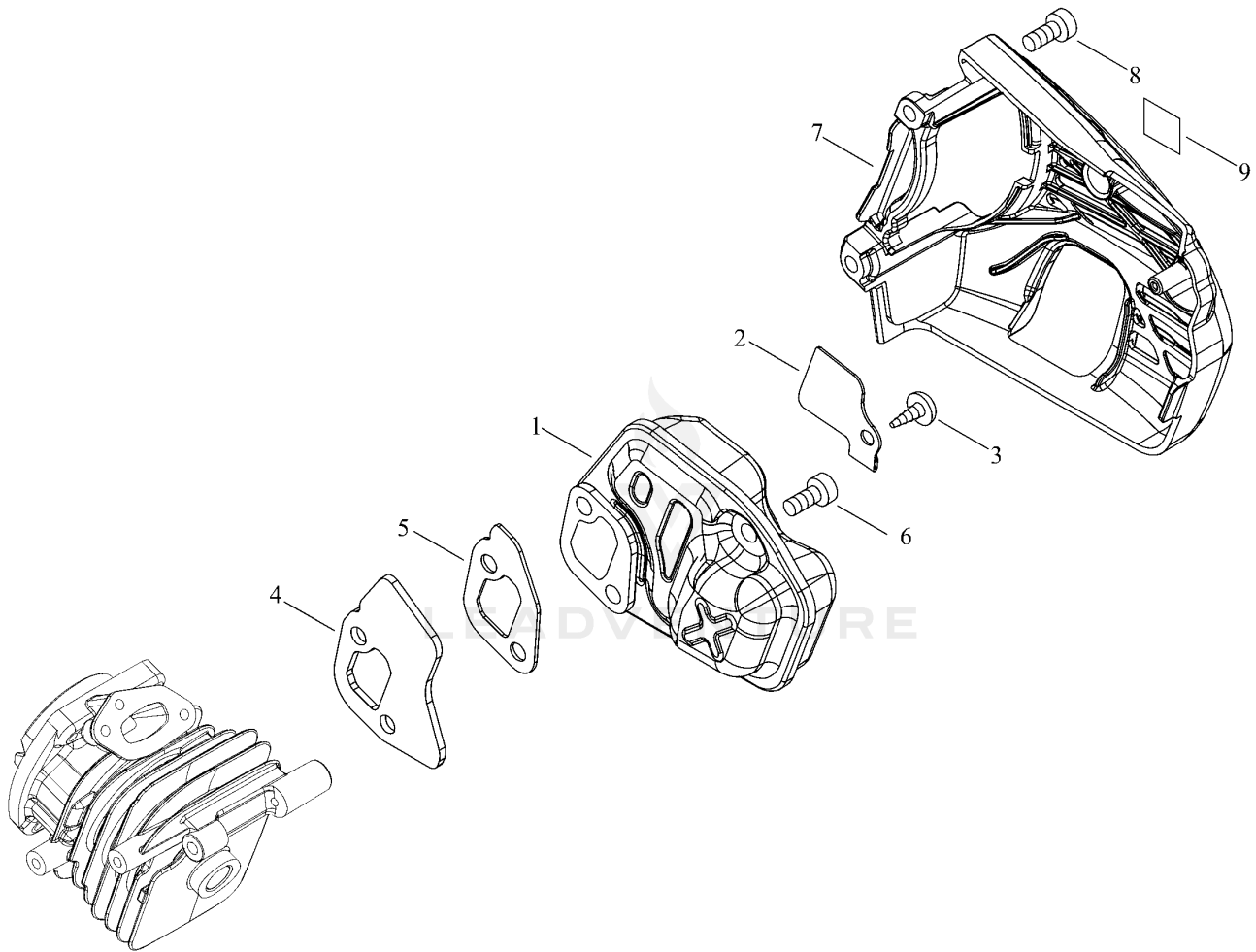


Rendered by LeadVenture, Inc.

AIR CLEANER, CARBURETOR

| Ref Number | Part Number | Part Description | Context Notes | Quantity |
|-------------------|--------------------|-------------------------|----------------------|-----------------|
| 1 | A202-000290 | BELLOWS, INTAKE | | 1 |
| 2 | V804-000040 | BOLT, TORX 4 | | 2 |
| 3 | V358-000220 | COLLAR,14 | | 1 |
| 4 | V351-000030 | COLLAR,3 | | 1 |
| 5 | V162-000770 | PLUG | | 2 |
| 6 | A021-004520 | CARBURETOR,DIAPHRAGM | | 1 |
| 7 | A204-000250 | ELBOW, CARBURETOR | | 1 |
| 8 | V805-000070 | BOLT, TORX 5 | | 2 |
| 9 | A226-001960 | ELEMENT,AIR FILTER | | 1 |
| 10 | A226-001930 | ELEMENT, AIR FILTER | | 1 |
| 11 | A226-001940 | ELEMENT, AIR FILTER | | 1 |
| 12 | A232-001840 | LID,CLEANER | | 1 |
| 13 | A235-000410 | KNOB,CLEANER LID | | 1 |
| 14 | X503-013600 | LABEL,MODEL | | 1 |

MUFFLER

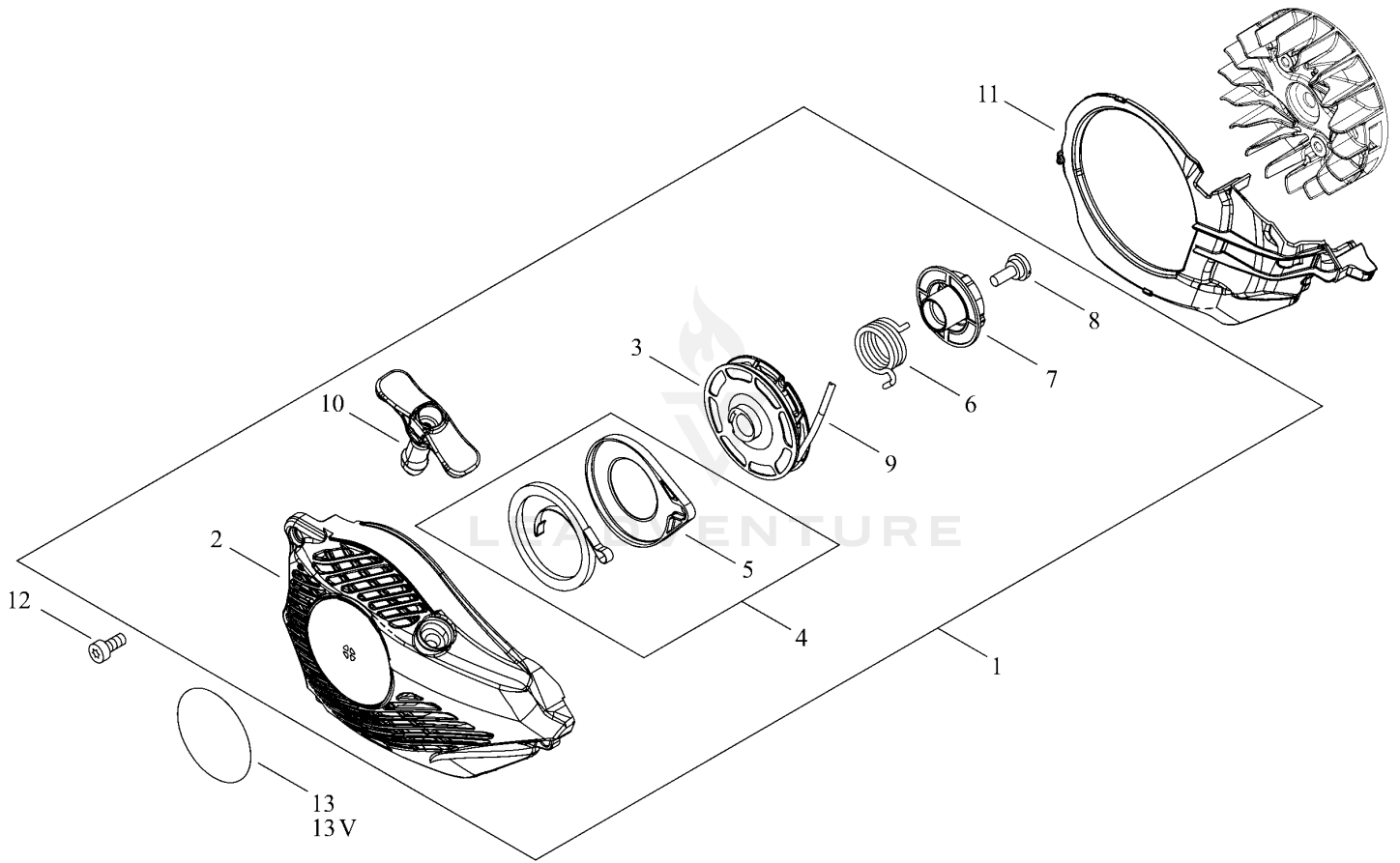


Rendered by LeadVenture, Inc.

MUFFLER

| Ref Number | Part Number | Part Description | Context Notes | Quantity |
|-------------------|--------------------|-------------------------|----------------------|-----------------|
| 1 | A030-000840 | MUFFLER ASY | | 1 |
| 2 | A310-000490 | SCREEN, ARRESTOR | | 1 |
| 3 | V252-000970 | SCREW,4 | | 1 |
| 4 | A312-000090 | PLATE, EXHUST | | 1 |
| 5 | V104-002290 | GASKET,EXHAUST | | 1 |
| 6 | V805-000150 | BOLT, TORX 5 | | 3 |
| 7 | A320-001160 | COVER,MUFFLER | | 1 |
| 8 | V804-000000 | BOLT, TORX 4 | | 2 |
| 9 | X505-007710 | LABEL,CAUTION | | 1 |

RECOIL STARTER

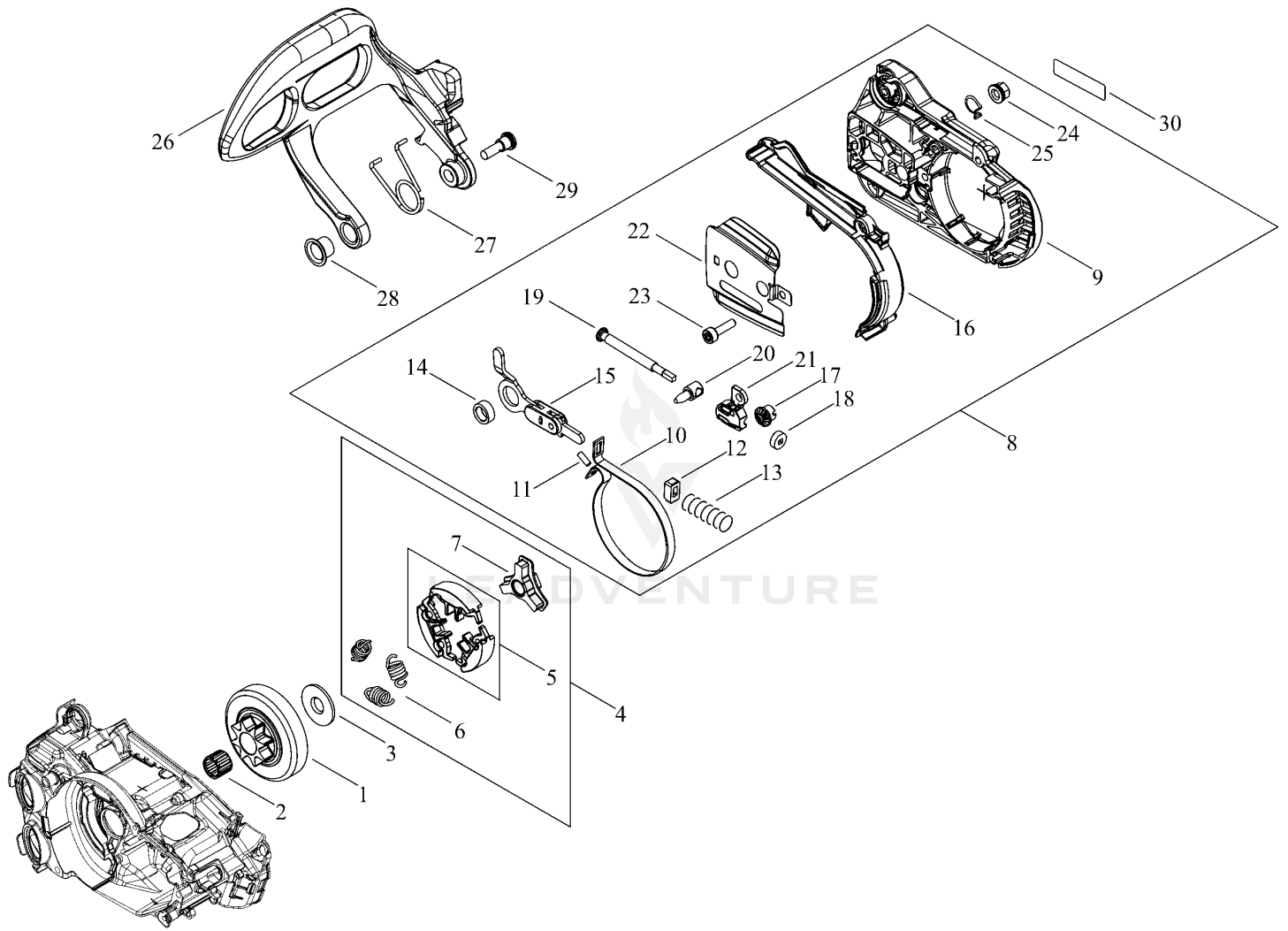


Rendered by LeadVenture, Inc.

RECOIL STARTER

| Ref Number | Part Number | Part Description | Context Notes | Quantity |
|-------------------|--------------------|-------------------------|----------------------|-----------------|
| 1 | A051-003130 | STARTER,RECOIL ASY | | 1 |
| 2 | P022-040040 | CASE,STARTER ASY | | 1 |
| 3 | P022-040050 | DRUM | | 1 |
| 4 | P022-040060 | SPRING KIT, REWIND | | 1 |
| 5 | P022-040070 | SPRING CASE | | 1 |
| 6 | P022-036670 | SPRING,DAMPER | | 1 |
| 7 | P022-040080 | PLATE, CAM | | 1 |
| 8 | 177236-61830 | SCREW | | 1 |
| 9 | P022-040090 | ROPE, STARTER | | 1 |
| 10 | P022-040100 | GRIP, STARTER | | 1 |
| 11 | A172-003030 | COVER,FAN | | 1 |
| 12 | V804-000060 | BOLT, TORX 4 | | 3 |
| 13 | X502-001030 | LABEL,ECHO | | 1 |
| 13V | X502-001110 | LABEL,ECHO | | 1 |

CHAIN BRAKE



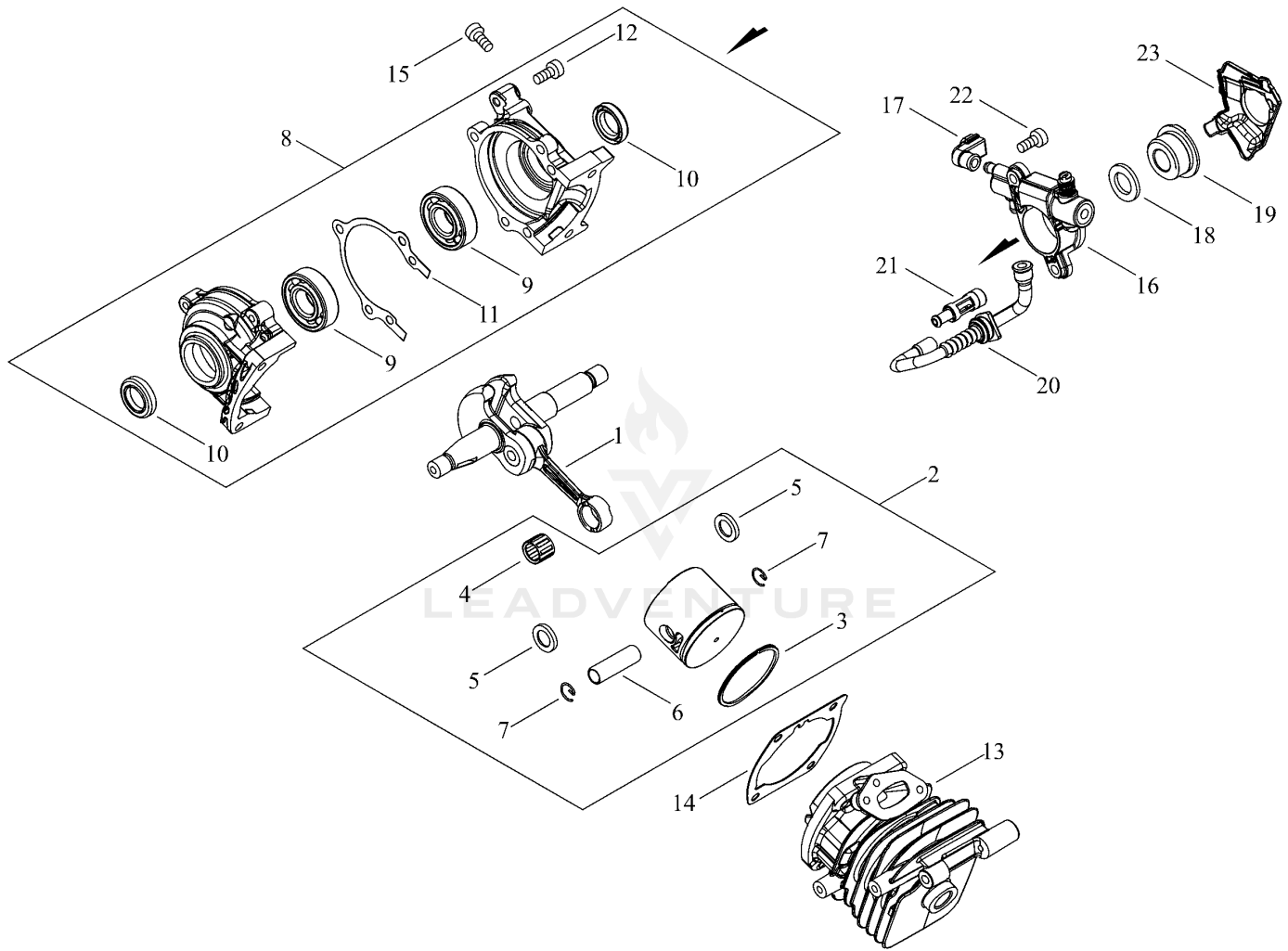
Rendered by LeadVenture, Inc.

CHAIN BRAKE

| Ref Number | Part Number | Part Description | Context Notes | Quantity |
|------------|-------------|----------------------|---------------|----------|
| 1 | A556-001710 | DRUM, CLUTCH | | 1 |
| 2 | V555-000190 | BEARING,NEEDLE 10 | | 1 |
| 3 | A551-000170 | PLATE, CLUTCH | | 1 |
| 4 | A056-000800 | CLUTCH ASY | | 1 |
| 5 | P021-050190 | CLUTCH SHOE SET | | 1 |
| 6 | A566-000290 | SPRING, CLUTCH | | 3 |
| 7 | A552-000430 | HUB, CLUTCH | | 1 |
| 8 | P021-050200 | GUARD, SPROCKET ASY | | 1 |
| 9 | C300-001110 | GUARD, SPROCKET | | 1 |
| 10 | C328-000330 | BAND, BRAKE | | 1 |
| 11 | 93050-30080 | ROLLER | | 1 |
| 12 | V376-000450 | SPACER | | 1 |
| 13 | V450-002080 | SPRING,COMPRESSION | | 1 |
| 14 | V355-000860 | COLLAR,8 | | 1 |
| 15 | C334-000340 | CONNECTOR, BRAKE | | 1 |
| 16 | C345-000640 | COVER,BRAKE | | 1 |
| 17 | V651-001060 | GEAR,BEVEL | | 1 |
| 18 | V651-000011 | GEAR,BEVEL | | 1 |
| 19 | V203-000041 | BOLT,5 | | 1 |
| 20 | C309-000110 | TENSIONER,CHAIN | | 1 |
| 21 | V355-000840 | COLLAR,8 | | 1 |
| 22 | C305-000500 | PLATE,SPROCKET GUARD | | 1 |
| 23 | V804-000000 | BOLT, TORX 4 | | 3 |
| 24 | V265-000550 | NUT,8 | | 1 |
| 25 | C649-000420 | HOOK | | 1 |
| 26 | C320-000510 | LEVER, BRAKE | | 1 |
| 27 | V452-001660 | SPRING,TORSION | | 1 |
| 28 | V356-000780 | COLLAR,10 | | 1 |
| 29 | V203-002270 | BOLT,5 | | 1 |

| Ref Number | Part Number | Part Description | Context Notes | Quantity |
|-------------------|--------------------|-------------------------|----------------------|-----------------|
| 30 | X502-000340 | LABEL,ECHO | | 1 |

CYLINDER, PISTON, CRANKSHAFT

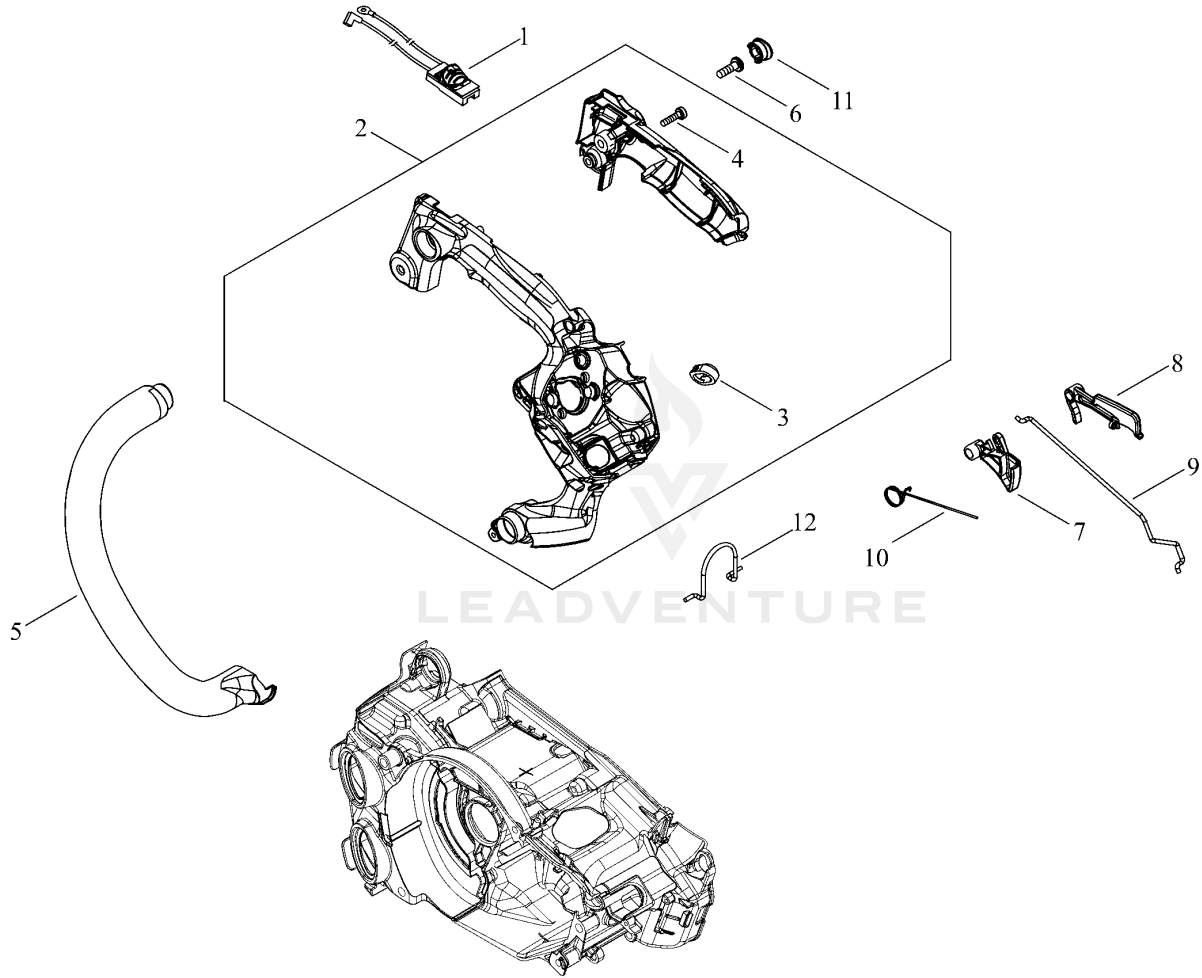


Rendered by LeadVenture, Inc.

CYLINDER, PISTON, CRANKSHAFT

| Ref Number | Part Number | Part Description | Context Notes | Quantity |
|------------|--------------|---------------------|---------------|----------|
| 1 | A011-001440 | CRANKSHAFT,ASM | | 1 |
| 2 | P021-050120 | PISTON KIT | | 1 |
| 3 | A101-000700 | RING, PISTON | | 1 |
| 4 | V553-000020 | BEARING,NEEDLE 8 | | 1 |
| 5 | 100014-55930 | SPACER, PISTON PIN | | 2 |
| 6 | V606-000020 | PIN,ENG 8 | | 1 |
| 7 | 100015-04630 | CIRCLIP, PISTON PIN | | 2 |
| 8 | P021-050130 | CRANKCASE SET | | 1 |
| 9 | 900800-36001 | BEARING, BALL | | 2 |
| 10 | V505-000070 | OIL SEAL | | 2 |
| 11 | V102-000290 | GASKET,CRANKCASE | | 1 |
| 12 | V804-000100 | BOLT, TORX 4 | | 3 |
| 13 | P021-050210 | CYLINDER | | 1 |
| 14 | V100-000830 | GASKET,CYL | | 1 |
| 15 | V804-000100 | BOLT, TORX 4 | | 4 |
| 16 | C022-000211 | AUTO-OILER ASSEMBLY | | 1 |
| 17 | V470-002170 | PIPE | | 1 |
| 18 | V308-000030 | WASHER,CIRCULAR 11 | | 1 |
| 19 | V652-000230 | GEAR,WORM | | 1 |
| 20 | V470-002200 | PIPE | | 1 |
| 21 | P021-050140 | STRAINER, OIL ASY | | 1 |
| 22 | V804-000050 | BOLT, TORX 4 | | 2 |
| 23 | C236-000150 | COVER,OILER | | 1 |

HANDLE

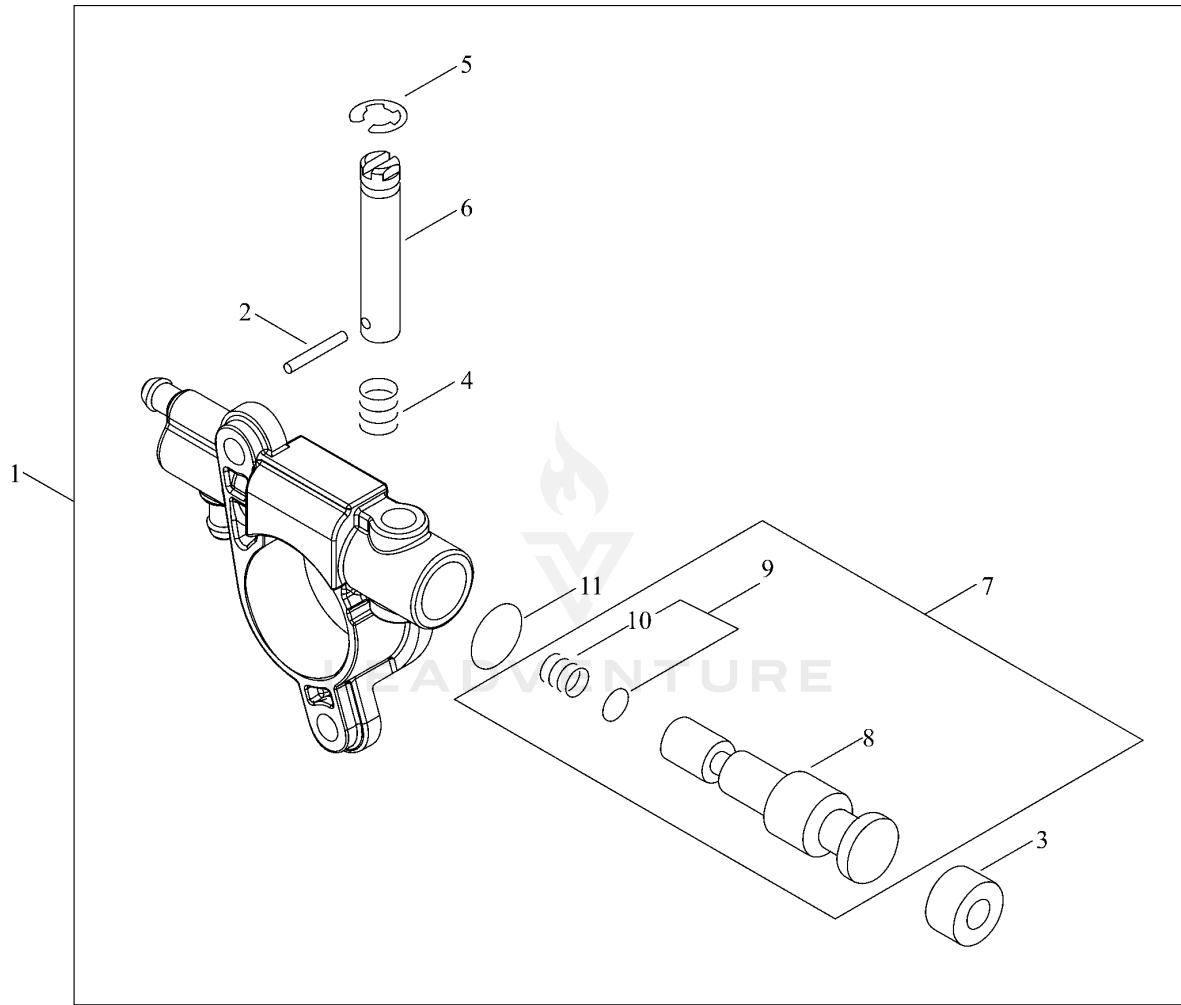


Rendered by LeadVenture, Inc.

HANDLE

| Ref Number | Part Number | Part Description | Context Notes | Quantity |
|-------------------|--------------------|-------------------------|----------------------|-----------------|
| 1 | A440-002740 | SWITCH,ON OFF | | 1 |
| 2 | P100-002151 | HANDLE SET, REAR | | 1 |
| 3 | V131-000220 | GROMMET,NEEDLE | | 1 |
| 4 | V804-000010 | BOLT, TORX 4 | | 1 |
| 5 | C400-001550 | HANDLE, FRONT | | 1 |
| 6 | V805-000000 | BOLT, TORX 5 | | 1 |
| 7 | C450-000950 | CONTROL, THROTTLE | | 1 |
| 8 | C460-000590 | LOCKOUT, THROTTLE | | 1 |
| 9 | C454-000540 | ROD, THROTTLE | | 1 |
| 10 | V452-001650 | SPRING,TORSION | | 1 |
| 11 | V162-000760 | PLUG | | 1 |
| 12 | C646-000132 | RING,HARNESS | | 1 |

OILER

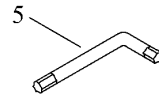
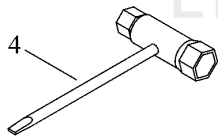
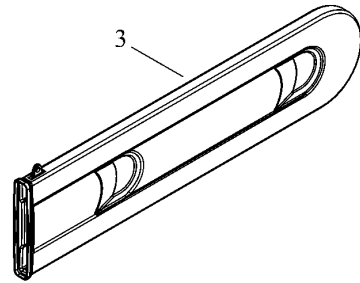
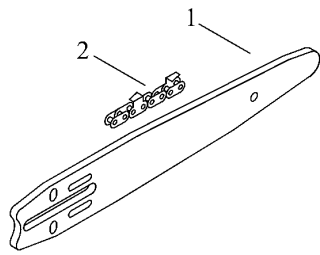


Rendered by LeadVenture, Inc.

OILER

| Ref Number | Part Number | Part Description | Context Notes | Quantity |
|-------------------|--------------------|-------------------------|----------------------|-----------------|
| 1 | C022-000211 | AUTO-OILER ASSEMBLY | | 1 |
| 2 | P003-002180 | PIN, SPRING | | 1 |
| 3 | 437062-38330 | CAP, OIL PUMP | | 1 |
| 4 | 437015-37330 | SPRING | | 1 |
| 5 | 123127-15030 | RING | | 1 |
| 6 | P003-005430 | NEEDLE-ADJ | | 1 |
| 7 | P200-000390 | PLUNGER SHAFT KIT | | 1 |
| 8 | P003-005990 | SHAFT ASY-PLUNGER | | 1 |
| 9 | P200-000490 | SPRING WASHER KIT | | 1 |
| 10 | P003-006000 | SPRING | | 1 |
| 11 | P003-005420 | WASHER | | 1 |

ACCESSORIES



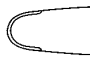

LEADVENTURE

Rendered by LeadVenture, Inc.

ACCESSORIES

| Ref Number | Part Number | Part Description | Context Notes | Quantity |
|-------------------|--------------------|-------------------------|----------------------|-----------------|
| 1 | X100-000060 | BAR,GUIDE 20 | | 1 |
| 2 | X200-000000 | CHAIN,SAW | | 1 |
| 3 | X490-000840 | SCABBARD,CHAIN | | 1 |
| 4 | X602-000160 | PLUG WRENCH | | 1 |
| 5 | X605-000170 | TOOL,L WRENCH | | 1 |

GUIDE BAR, CHAIN

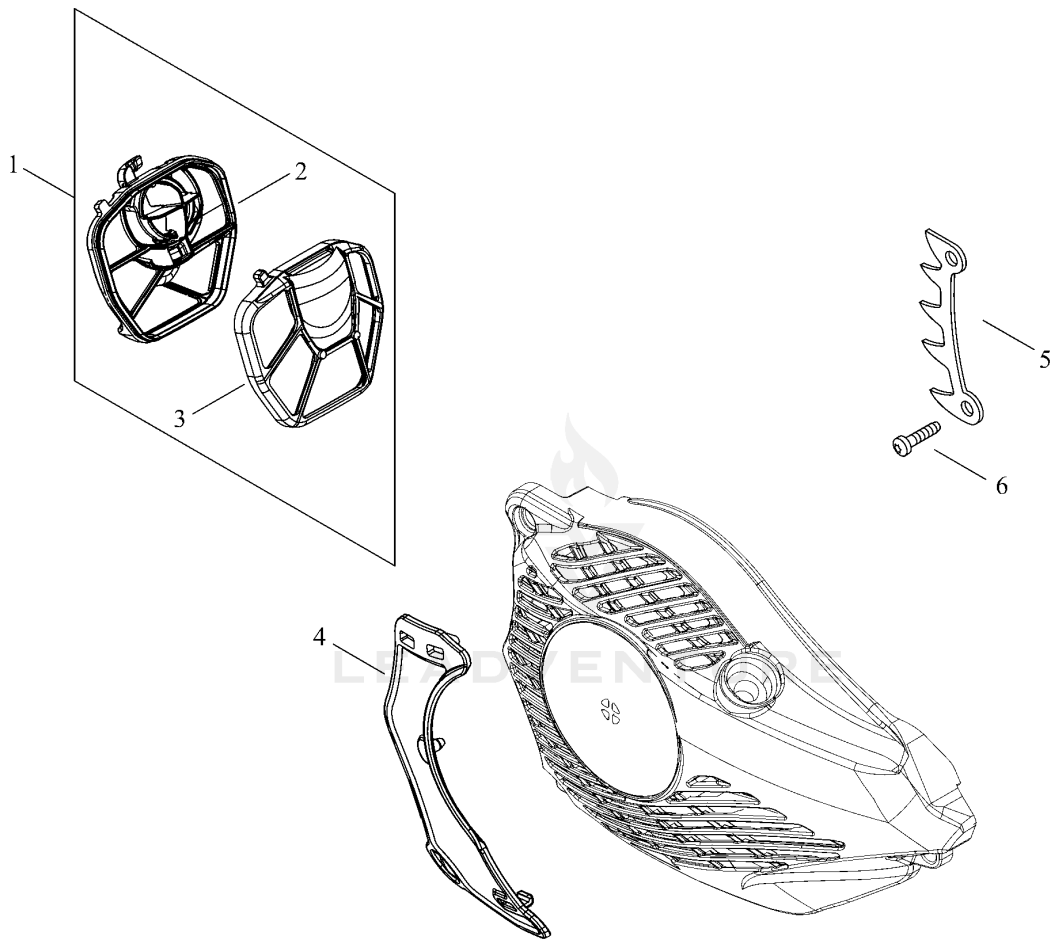
| Pitch ピッチ (inch) (mm) | Gauge ゲージ (inch) (mm) | Length 長さ (cm) | Guide Bar ガイドバー | | Saw Chain ソーチェーン | | Hard Nose ハード ノーズ  | Sprocket Nose スプロケット ノーズ  |
|------------------------------------|------------------------------------|--------------------------|--------------------|-----------------|---------------------|------------|---|--|
| | | | Key No | Type 形式 | Key No | Type 形式 | | |
| 1/4 6.35 | 0.050 1.27 | 20 | A1 | C20H25-52CL- ED | A2 | 25AP-52E | ● | |
| 1/4 6.35 | 0.050 1.27 | 25 | B1 | C25H25-60CL- ET | B2 | 25AP-60E | ● | |
| 3/8 9.53 | 0.050 1.27 | 20 | C1 | 20RC50S-3/8 | C2 | 91PX-35E | | ● |
| 3/8 9.53 | 0.050 1.27 | 25 | D1 | 25RC50S-3/8 | D2 | 91PX-40E | | ● |
| 3/8 9.53 | 0.050 1.27 | 30 | E1 | 30RC50M-3/8ECHO | E2 | 91PX-47E | | ● |

Rendered by LeadVenture, Inc.

GUIDE BAR, CHAIN

| Ref Number | Part Number | Part Description | Context Notes | Quantity |
|-------------------|--------------------|-------------------------|----------------------|-----------------|
| A1 | X100-000060 | BAR,GUIDE 20 | | 1 |
| A2 | X200-000000 | CHAIN,SAW | | 1 |
| B1 | X101-000011 | BAR,GUIDE 25 | | 1 |
| B2 | 431610-10030 | CHAIN, SAW 25AP-60E | | 1 |
| C1 | X120-000020 | BAR,GUIDE20RC50S-3/8 | | 1 |
| C2 | X220-000020 | CHAIN,SAW | | 1 |
| D1 | X121-000002 | BAR,GUIDE25RC50S-3/8 | | 1 |
| D2 | X221-000100 | CHAIN,SAW | | 1 |
| E1 | X122-000072 | BAR,GUIDE 30 | | 1 |
| E2 | X222-000140 | CHAIN,SAW | | 1 |

OPTION PARTS



Rendered by LeadVenture, Inc.

OPTION PARTS

| Ref Number | Part Number | Part Description | Context Notes | Quantity |
|-------------------|--------------------|-------------------------|----------------------|-----------------|
| 1 | A226-001990 | ELEMENT, AIR FILTER | | 1 |
| 2 | A226-001970 | ELEMENT, AIR FILTER | | 1 |
| 3 | A226-001980 | ELEMENT, AIR FILTER | | 1 |
| 4 | C418-000150 | SHIELD, SNOW | | 1 |
| 5 | C304-000000 | SPIKE | | 1 |
| 6 | V805-000240 | BOLT, TORX 5 | | 2 |