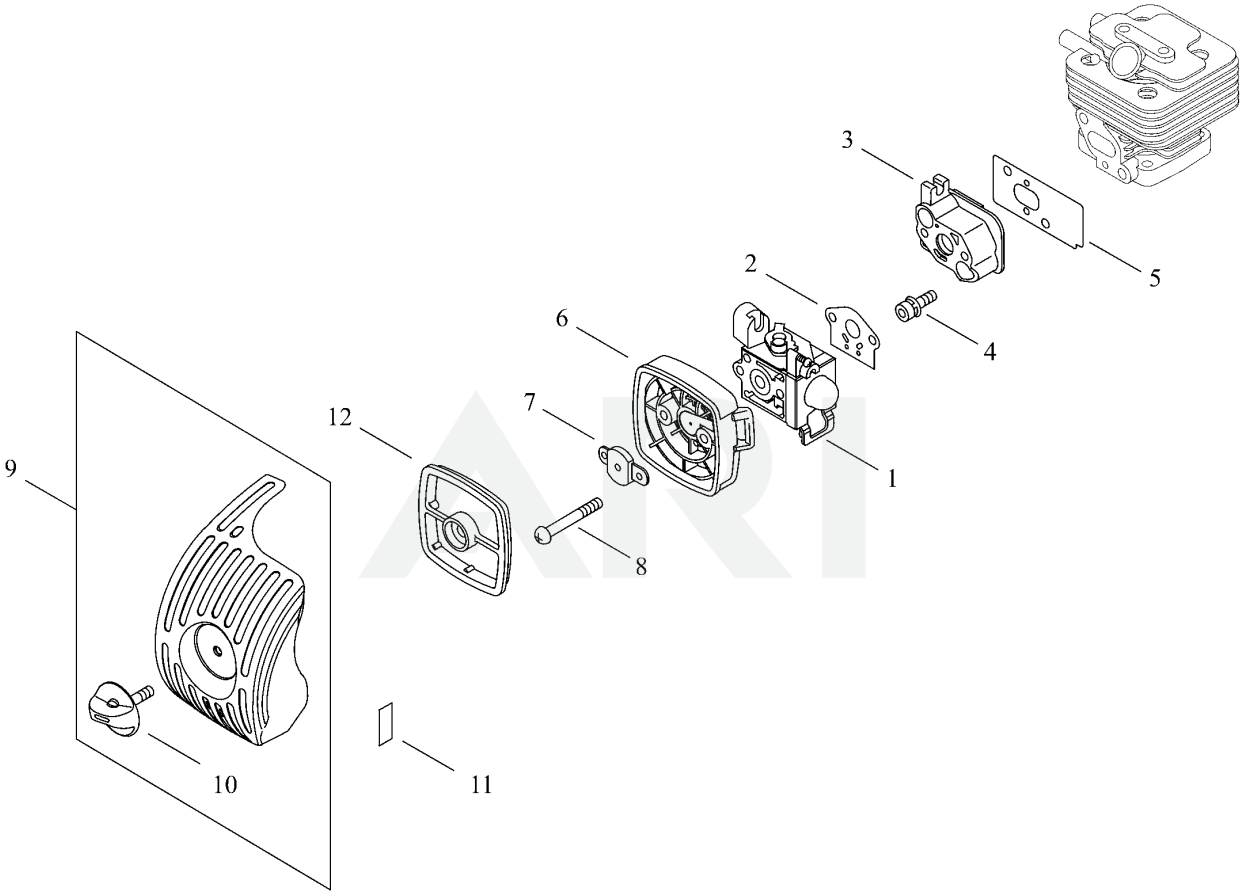


HCA-265ES-HD_37_37001001

TABLE OF CONTENTS

AIR CLEANER, CARBURETOR	3
MAIN PIPE	5
CLUTCH	7
CUTTING BLADE	9
ACCESSORIES	11
CRANKCASE	13
FUEL TANK	15
MUFFLER	17
MAGNETO	19
RECOIL STARTER, PULLY	21
CYLINDER, PISTON, CRANKSHAFT	23
CARBURETOR	25
GEAR CASE	27
THROTTLE	30

AIR CLEANER, CARBURETOR

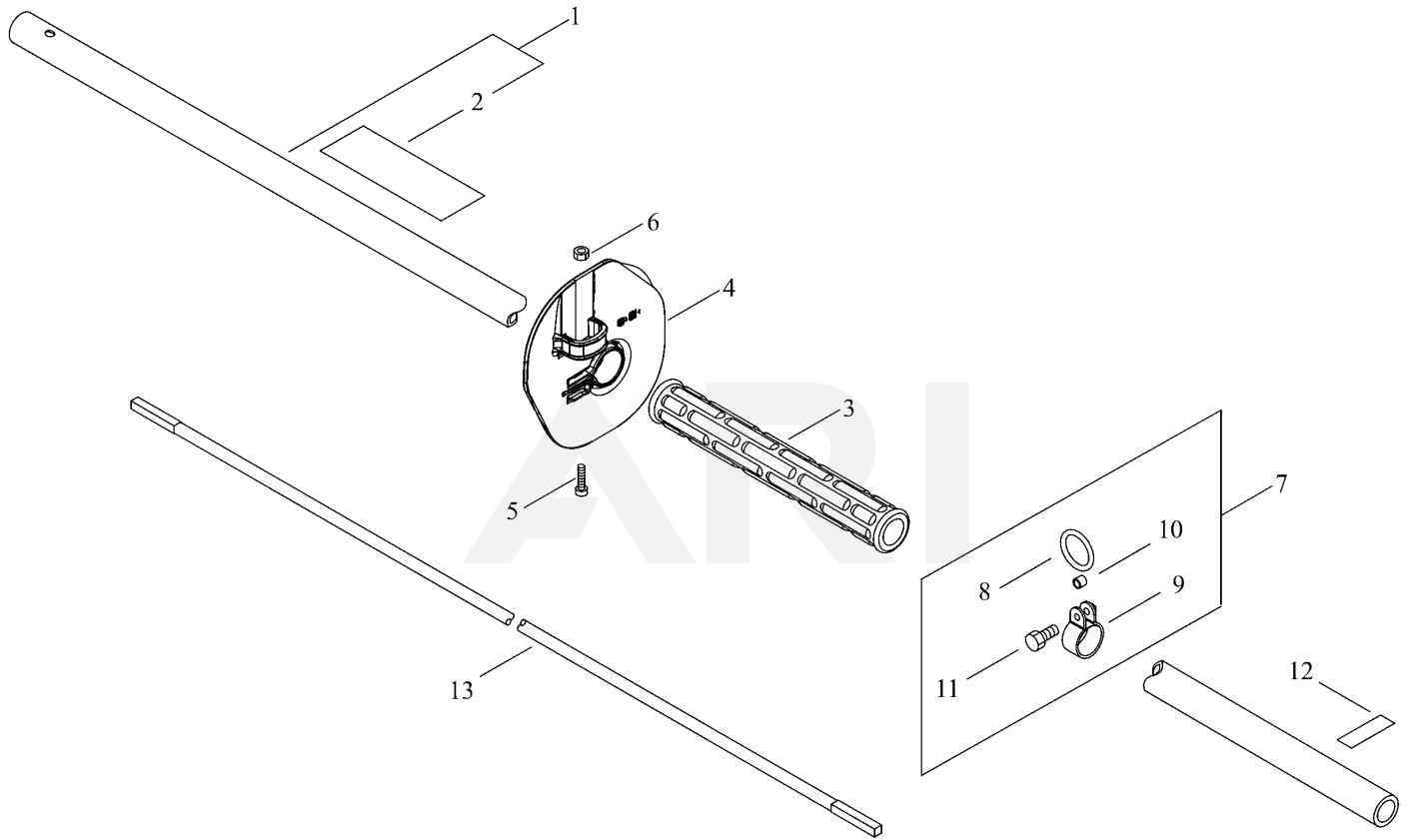


Page design © 2004-2017 by ARI Network Services, Inc.

AIR CLEANER, CARBURETOR

Ref Number	Part Number	Part Description	Context Notes	Quantity
1	A021-001742	CARBURETOR,DIAPHRAGM		1
2	V103-000270	GASKET,INTAKE		1
3	A200-000200	INSULATOR,INTAKE		1
4	900162-05025	BOLT HSH		2
5	V103-000210	GASKET,INTAKE		1
6	P021-049010	CASE,CLEANER		1
7	129011-52730	PLATE, PREVENT		1
8	900242-05065	SCREW		2
9	P021-047720	CLEANER COVER ASY		1
10	V299-000250	KNOB,FASTENER		1
11	890332-52730	LABEL, CHOKE		1
12	A226-001410	ELEMENT,AIR FILTER		1

MAIN PIPE

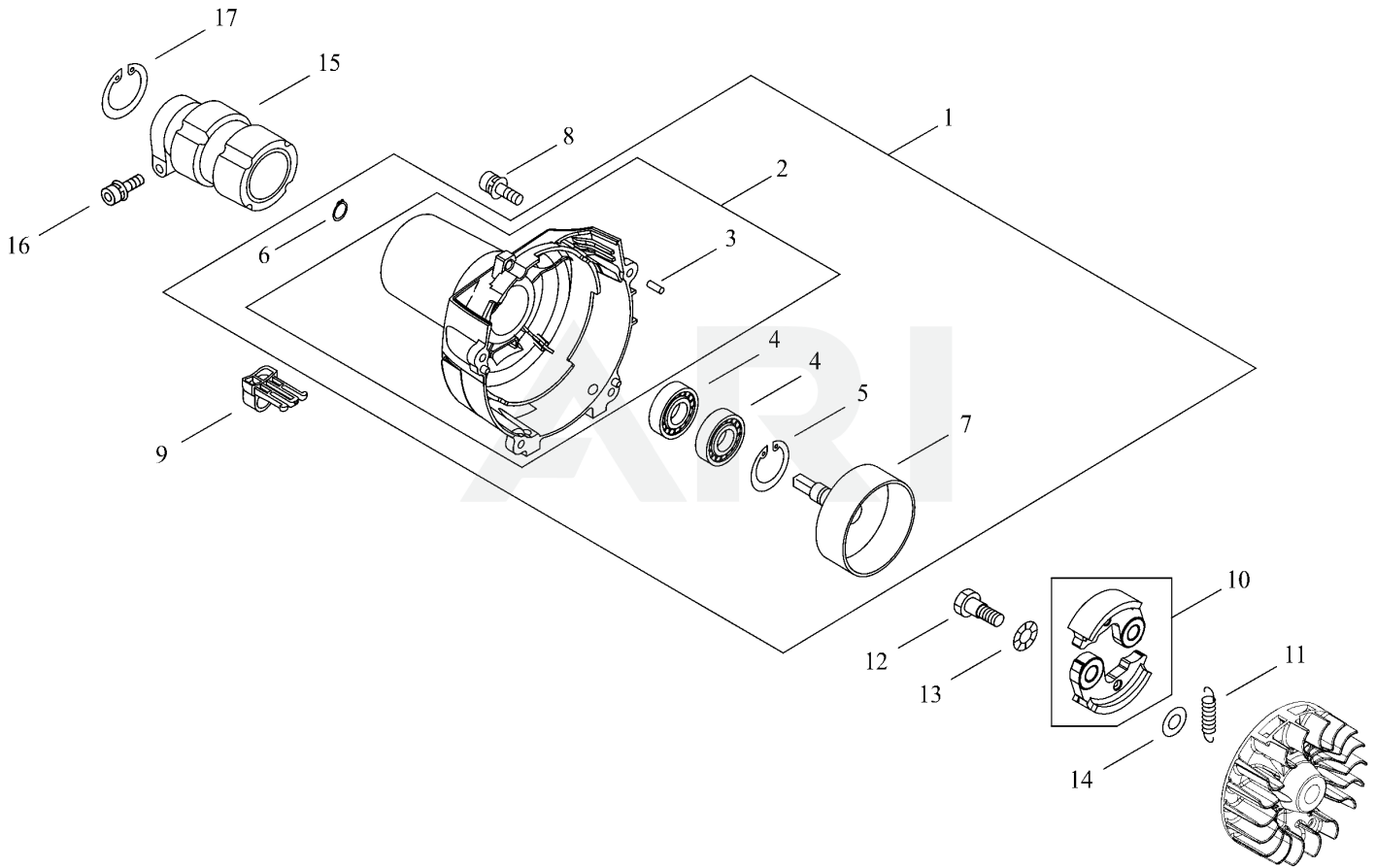


Page design © 2004-2017 by ARI Network Services, Inc.

MAIN PIPE

Ref Number	Part Number	Part Description	Context Notes	Quantity
1	P100-004090	MAIN PIPE ASY		1
2	890617-12361	LABEL, CAUTION		1
3	C403-000470	GRIP		1
4	C440-000022	GUARD,HAND		1
5	V805-000160	BOLT, TORX 5		1
6	900500-00005	NUT		1
7	P100-004100	HOOK ASY		1
8	301016-52730	RING,HARNESS		1
9	301207-08930	HOOK		1
10	699012-03330	SPACER		1
11	900100-05018	BOLT 5*18		1
12	890152-04930	LABEL, CAUTION		1
13	C506-000390	SHAFT, FLEXIBLE		1

CLUTCH

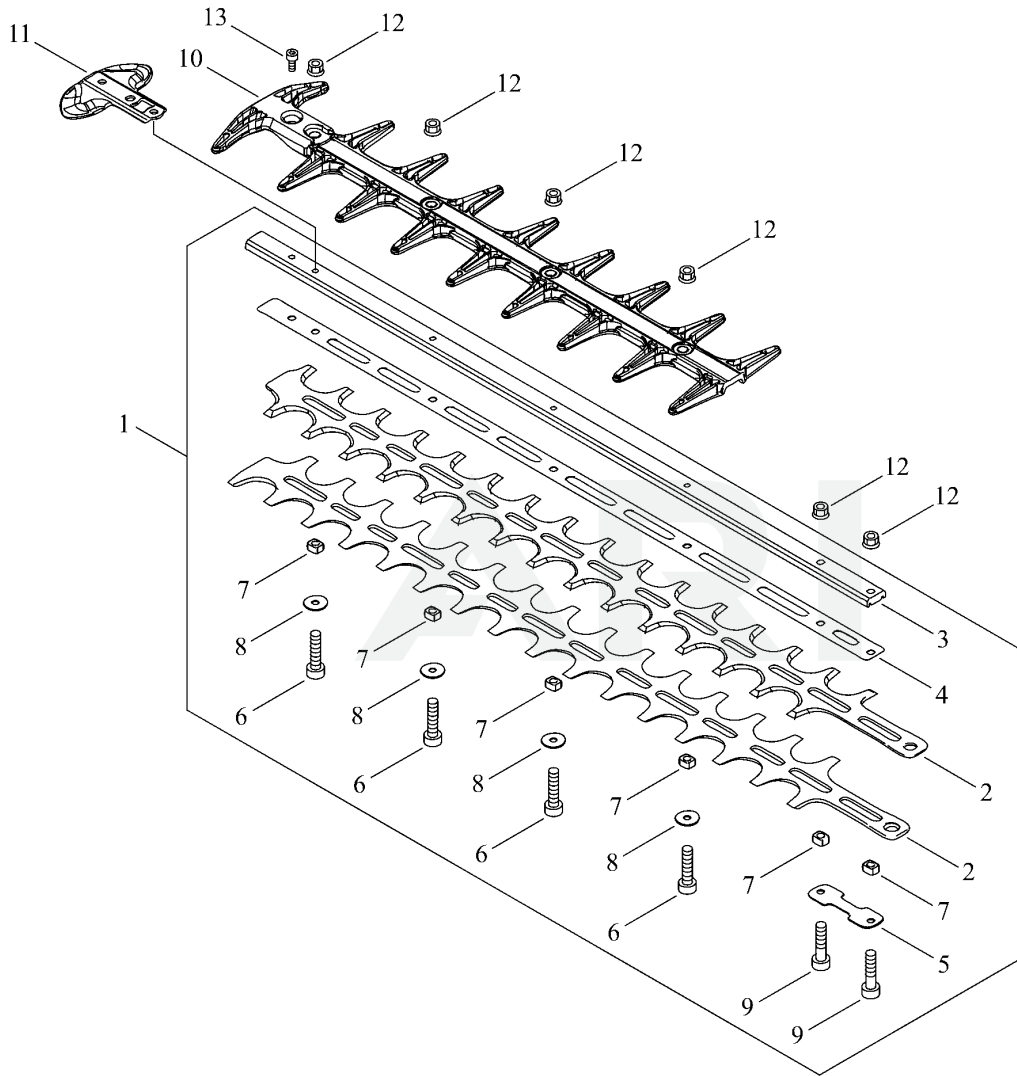


Page design © 2004-2017 by ARI Network Services, Inc.

CLUTCH

Ref Number	Part Number	Part Description	Context Notes	Quantity
1	P021-047710	COVER ASY, FAN		1
2	A172-000750	COVER, FAN		1
3	900330-40080	ROLLER		2
4	900807-06001	BEARING, BALL		2
5	900702-00028	RETAINING RING		1
6	900701-00012	RETAINING RING		1
7	A556-000390	DRUM, CLUTCH		1
8	900163-04016	BOLT HSH		4
9	V491-000180	CLIP		1
10	P021-046900	CLUTCH SHOE SET		1
11	V451-001390	SPRING, TENSION		1
12	175046-56030	SHAFT, CLUTCH		2
13	175049-56030	WASHER		2
14	175048-05530	WASHER (I)		2
15	A575-000110	FIXTURE, MAIN PIPE		1
16	900162-05028	BOLT HSH		1
17	900702-00042	RETAINING RING		1

CUTTING BLADE

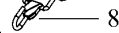
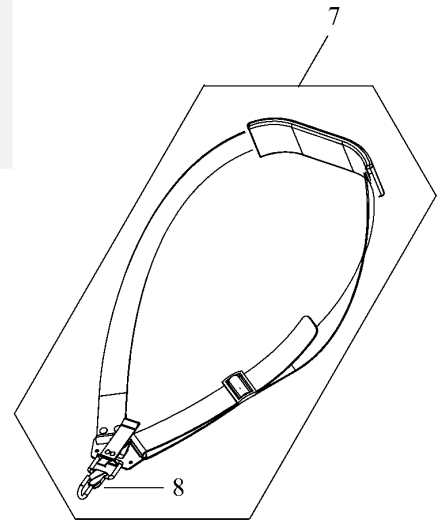
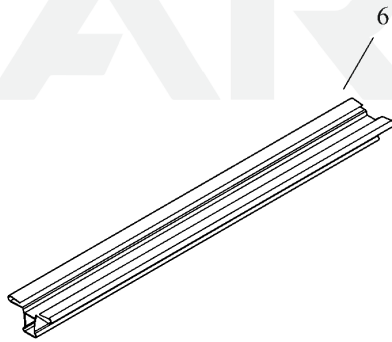
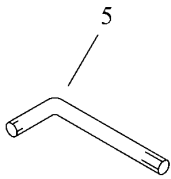
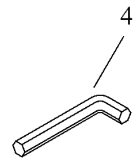
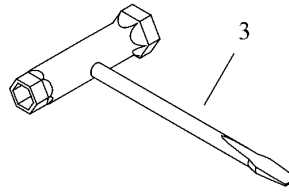
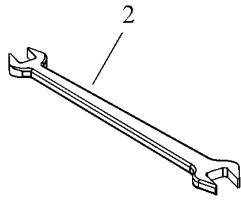
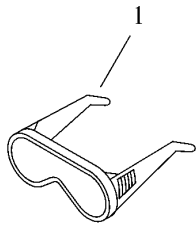


Page design © 2004-2017 by ARI Network Services, Inc.

CUTTING BLADE

Ref Number	Part Number	Part Description	Context Notes	Quantity
1	X041-000630	CUTTER,ASM		1
2	X411-001360	CUTTER		2
3	X425-001030	SUPPORT,CUTTER		1
4	X425-001040	SUPPORT,CUTTER		1
5	V150-004330	PLATE,EYE		1
6	V805-000170	BOLT, TORX 5		4
7	V353-000250	COLLAR		6
8	V303-000290	WASHER		4
9	V805-000180	BOLT, TORX 5		2
10	X431-000250	BLUNT		1
11	E278-000311	PROTECTOR		1
12	92108-05000	NUT, FLANGE		6
13	V805-000120	BOLT, TORX 5		1

ACCESSORIES

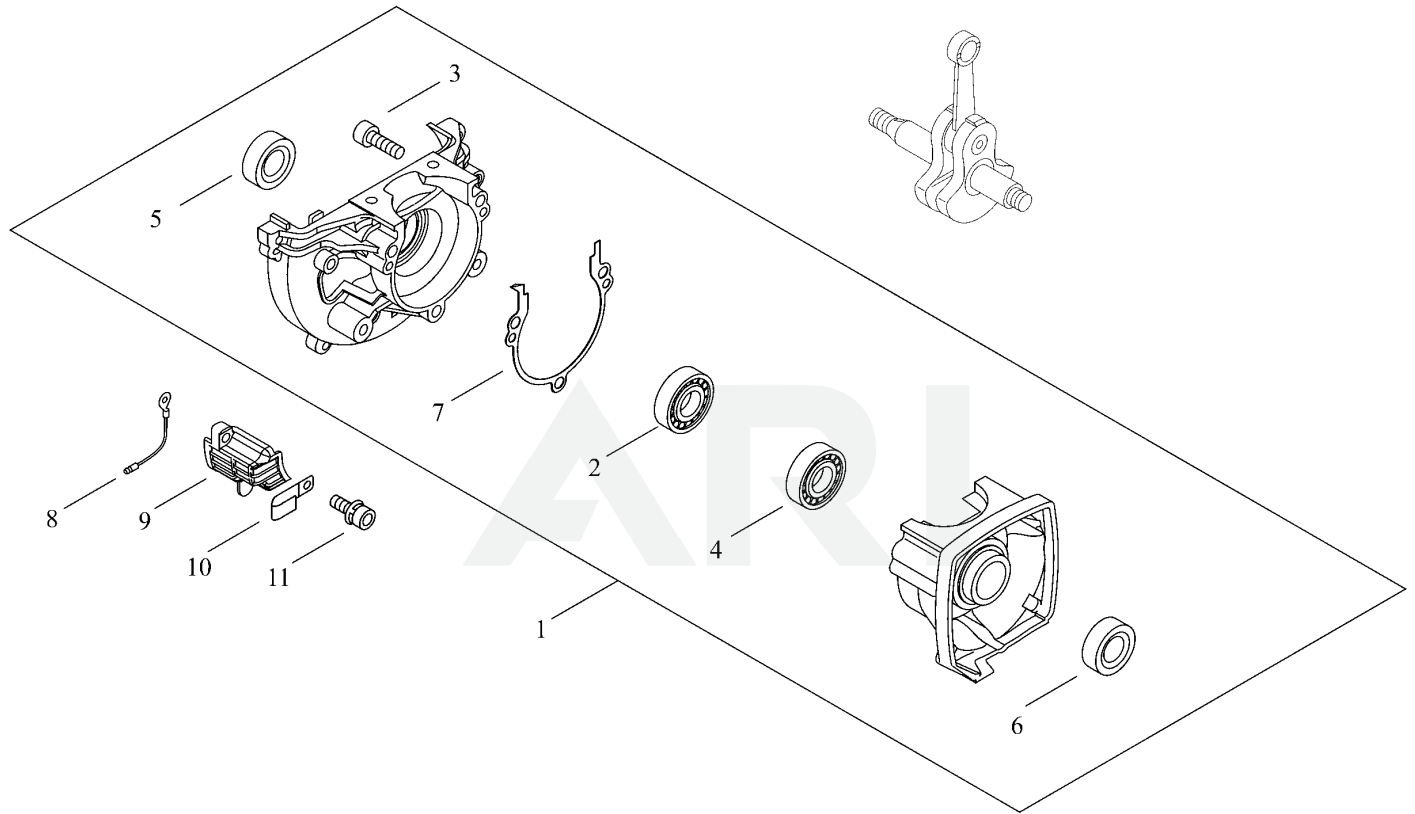


Page design © 2004-2017 by ARI Network Services, Inc.

ACCESSORIES

Ref Number	Part Number	Part Description	Context Notes	Quantity
1	X690-000080	GOGGLE		1
2	895112-00330	SPANNER 8*10		1
3	895410-03930	WRENCH, W/S. DRIVER		1
4	X605-000200	TOOL,L WRENCH		1
5	X605-000170	TOOL,L WRENCH		1
6	X495-000770	SCABBARD,BLADE		1
7	C062-000390	STRAP ASSY		1
8	C649-000200	HOOK		1

CRANKCASE

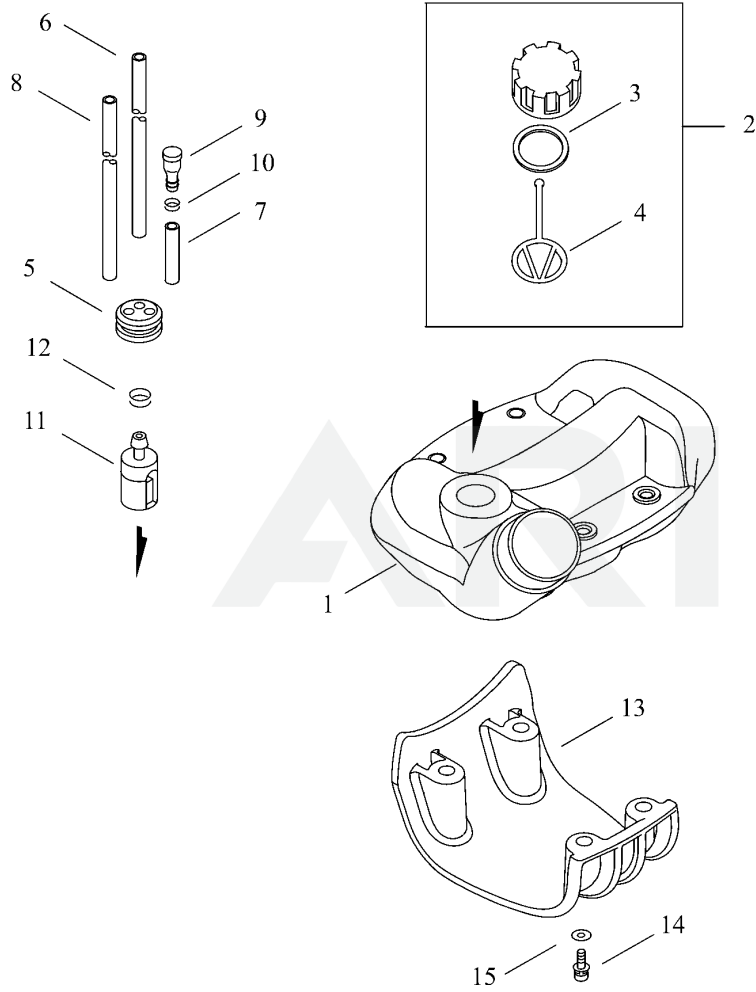


Page design © 2004-2017 by ARI Network Services, Inc.

CRANKCASE

Ref Number	Part Number	Part Description	Context Notes	Quantity
1	P021-010801	CRANKCASE KIT		1
2	94035-36201	BEARING, BALL		1
3	900162-05028	BOLT HSH		3
4	94035-36201	BEARING, BALL		1
5	100212-42031	OILSEAL		1
6	V505-000050	SEAL,OIL 12		1
7	100242-42030	GASKET, CRANKCASE		1
8	156635-43130	LEAD, GROUND		1
9	A127-000160	COVER,DUST		1
10	159116-21231	CLAMP		1
11	900162-05016	BOLT HSH		1

FUEL TANK

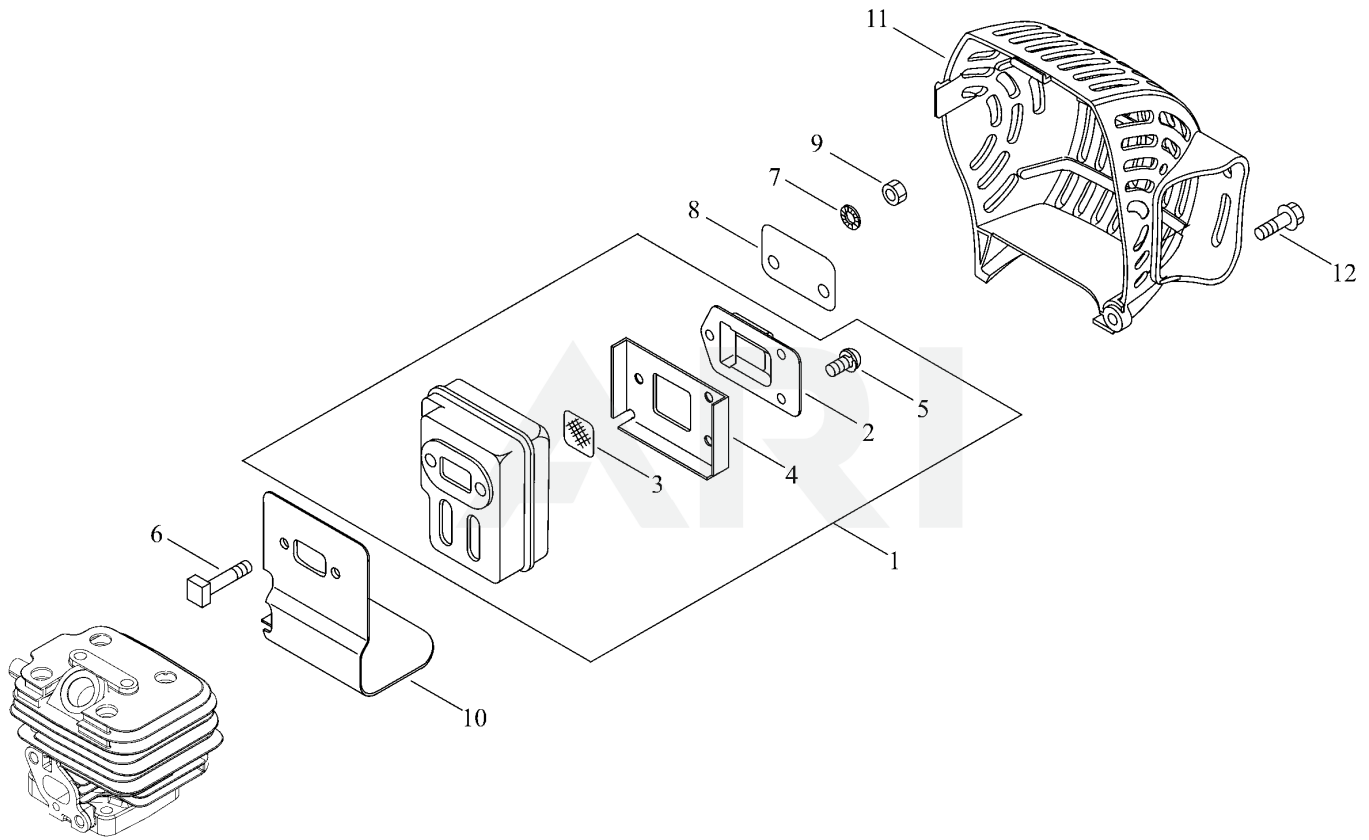


Page design © 2004-2017 by ARI Network Services, Inc.

FUEL TANK

Ref Number	Part Number	Part Description	Context Notes	Quantity
1	A350-000440	TANK, FUEL		1
2	P100-001880	CAP ASY,TANK		1
3	131016-55830	GASKET, FUEL CAP		1
4	131051-56030	CLIP, FUEL CAP		1
5	132115-55930	GROMMET, FUEL		1
6	V470-000580	PIPE		1
7	V471-001180	PIPE		1
8	132010-40830	PIPE 3* 6* 75		1
9	A356-000031	VALVE,CHECK		1
10	V490-001230	CLIP		1
11	A369-000001	STRAINER, FUEL		1
12	V490-001240	CLIP		1
13	A175-000030	STAND		1
14	900162-05025	BOLT HSH		4
15	900603-00005	WASHER		4

MUFFLER

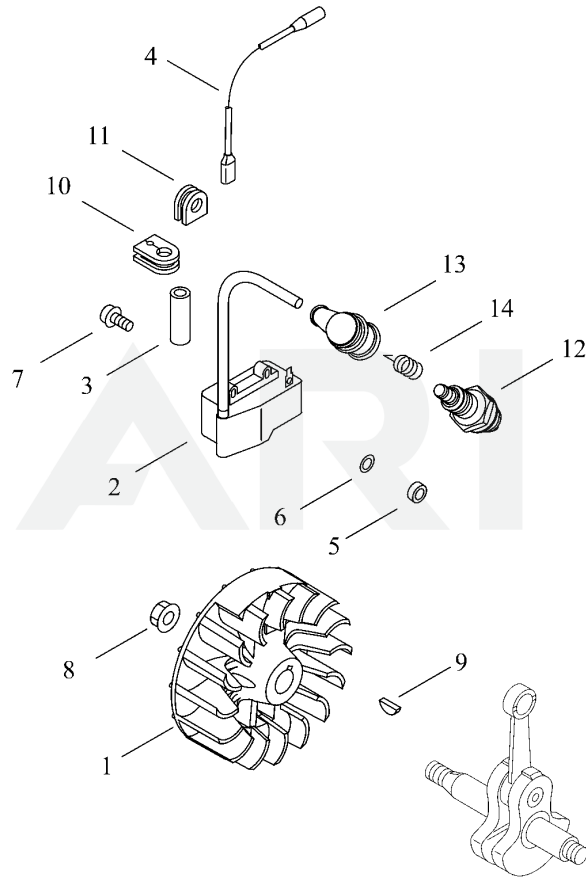


Page design © 2004-2017 by ARI Network Services, Inc.

MUFFLER

Ref Number	Part Number	Part Description	Context Notes	Quantity
1	P021-011580	MUFFLER ASY		1
2	A313-000830	GUIDE, EXHAUST		1
3	145862-40630	SCREEN, MUFFLER		1
4	V104-000790	GASKET,EXHAUST		1
5	91367-04010	SCREW		3
6	V203-000120	BOLT,5		2
7	92280-05000	WASHER, NORD-LOCK		2
8	V150-001760	PLATE,EYE		1
9	900500-00005	NUT		2
10	V104-000780	GASKET,EXHAUST		1
11	A320-000341	COVER,MUFFLER		1
12	900106-05014	BOLT HSH, FLANGE		1

MAGNETO

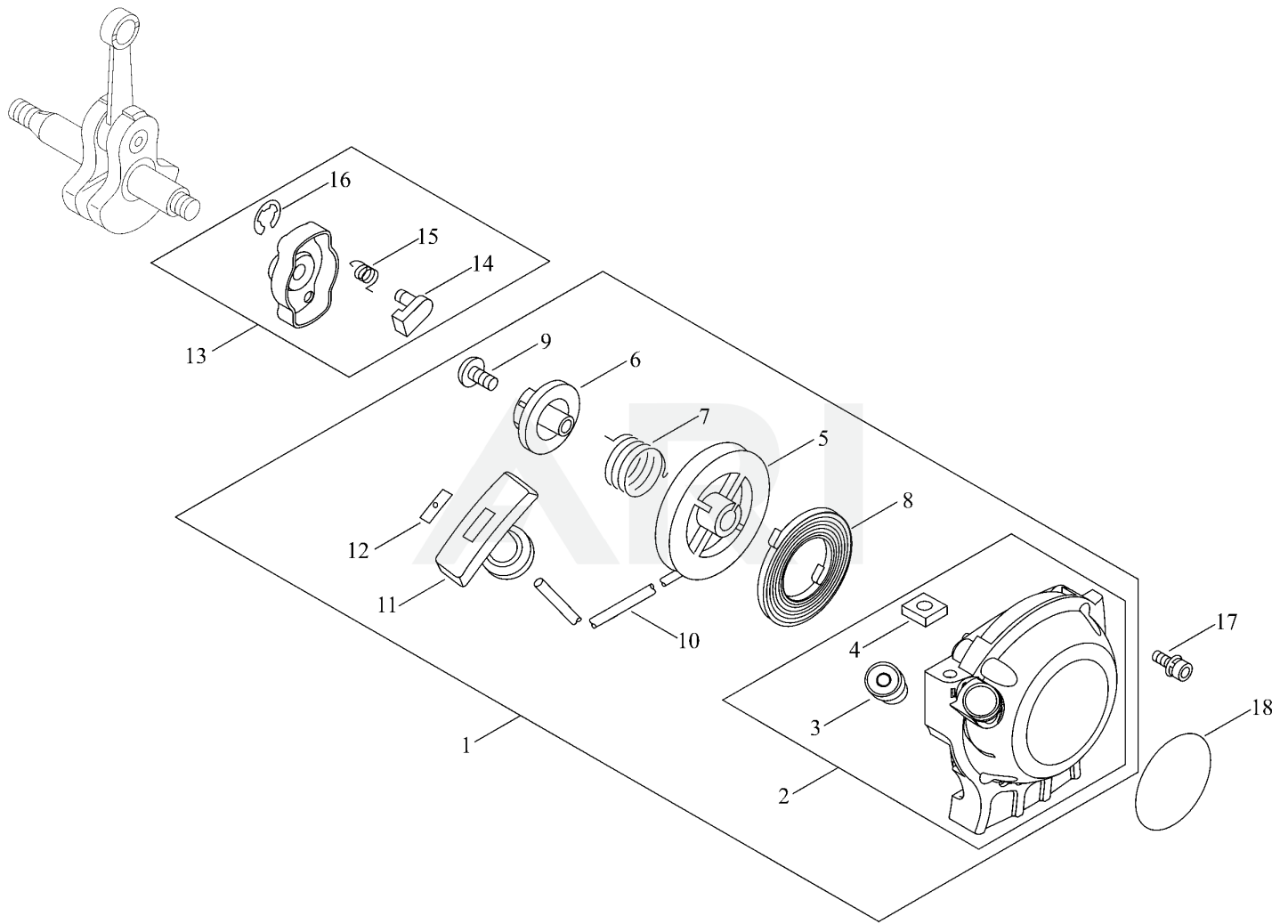


Page design © 2004-2017 by ARI Network Services, Inc.

MAGNETO

Ref Number	Part Number	Part Description	Context Notes	Quantity
1	A409-001222	ROTOR, MAGNETO		1
2	A411-000251	COIL, IGNITION		1
3	V475-003380	TUBE		1
4	162010-04561	LEAD, GROUND		1
5	V322-000031	WASHER,CIRCULAR 4		2
6	900603-00004	WASHER		2
7	V202-000130	BOLT,4		2
8	900515-00008	NUT, FLANGE		1
9	100142-12330	KEY, WOODRUFF		1
10	V135-000030	GROMMET,HT CORD		1
11	156110-04920	BUSHING		1
12	A425-000000	SPARKPLUG		1
13	A427-000013	CAP,SPARK PLUG		1
14	A426-000010	TERMINAL,SPARKPLUG		1

RECOIL STARTER, PULLY

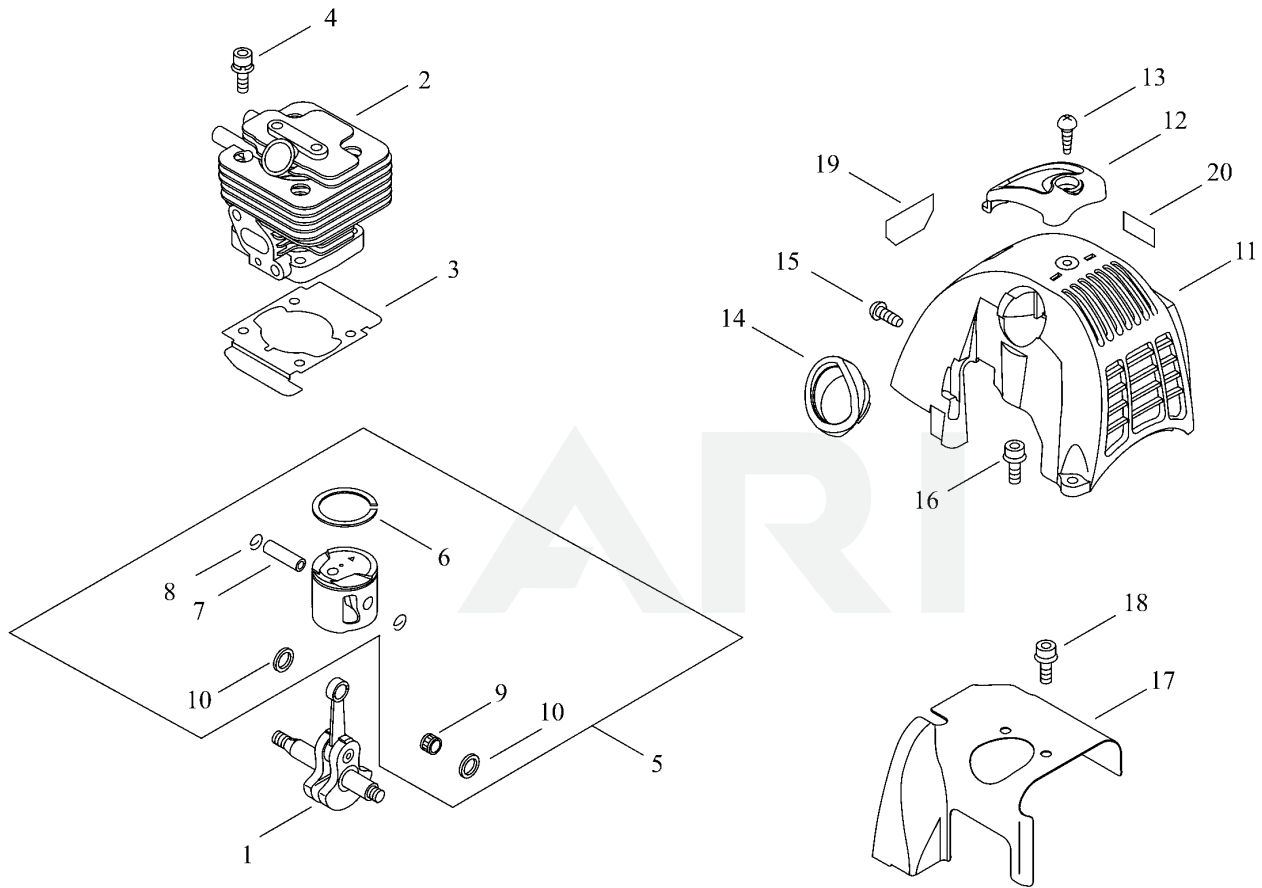


Page design © 2004-2017 by ARI Network Services, Inc.

RECOIL STARTER, PULLY

Ref Number	Part Number	Part Description	Context Notes	Quantity
1	A051-000941	STARTER,RECOIL		1
2	P022-049100	STATER CASE		1
3	177227-42030	GUIDE, ROPE		1
4	P022-022010	NUT		4
5	P022-027980	DRUM, STARTER		1
6	P022-028000	PLATE, CAM		1
7	P022-008270	SPRING,DAMPER		1
8	177220-42030	SPRING, REWIND		1
9	177236-61830	SCREW		1
10	P022-008260	ROPE		1
11	177228-27030	GRIP, STARTER		1
12	P022-037670	STOPPER, ROPE		1
13	A052-000180	PULLEY,ASM STARTER		1
14	P022-006850	PAWL, STARTER		2
15	P022-006510	SPRING, RETURN		2
16	P022-002100	E-RING		2
17	900163-04016	BOLT HSH		4
18	X502-000330	LABEL,ECHO		1

CYLINDER, PISTON, CRANKSHAFT

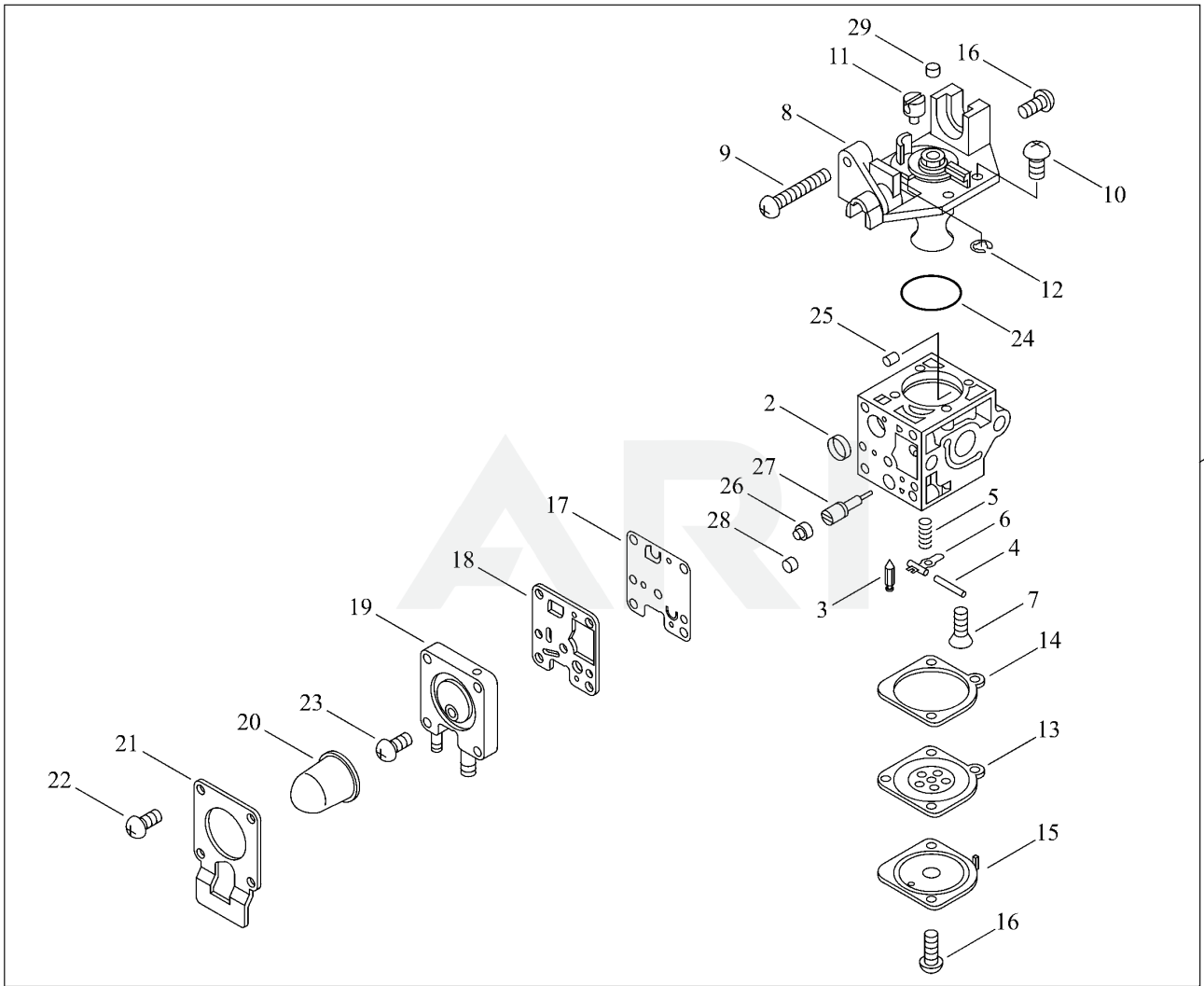


Page design © 2004-2017 by ARI Network Services, Inc.

CYLINDER, PISTON, CRANKSHAFT

Ref Number	Part Number	Part Description	Context Notes	Quantity
1	A011-000434	CRANKSHAFT,ASY		1
2	A130-000761	CYLINDER		1
3	V100-000210	GASKET,CYL		1
4	900162-05025	BOLT HSH		4
5	P021-009771	PISTON KIT		1
6	A101-000170	RING, PISTON		1
7	100013-35430	PIN, PISTON		1
8	100015-03931	CIRCLIP, PISTON PIN		2
9	100012-16131	BEARING, NEEDLE		1
10	100014-53630	SPACER, PISTON PIN		2
11	A160-000780	COVER,CYLINDER		1
12	A162-000100	GUARD, TOP		1
13	900256-05016	SCREW, TAPPING		1
14	A162-000080	GUARD, TOP		1
15	91140-05012	BOLT HS, BUTTON		1
16	900106-05014	BOLT HSH, FLANGE		1
17	A160-000691	COVER,CYLINDER		1
18	900106-05008	BOLT HSH, FLANGE		2
19	X547-000930	LABEL,ECHO		1
20	X505-007710	LABEL,CAUTION		1

CARBURETOR

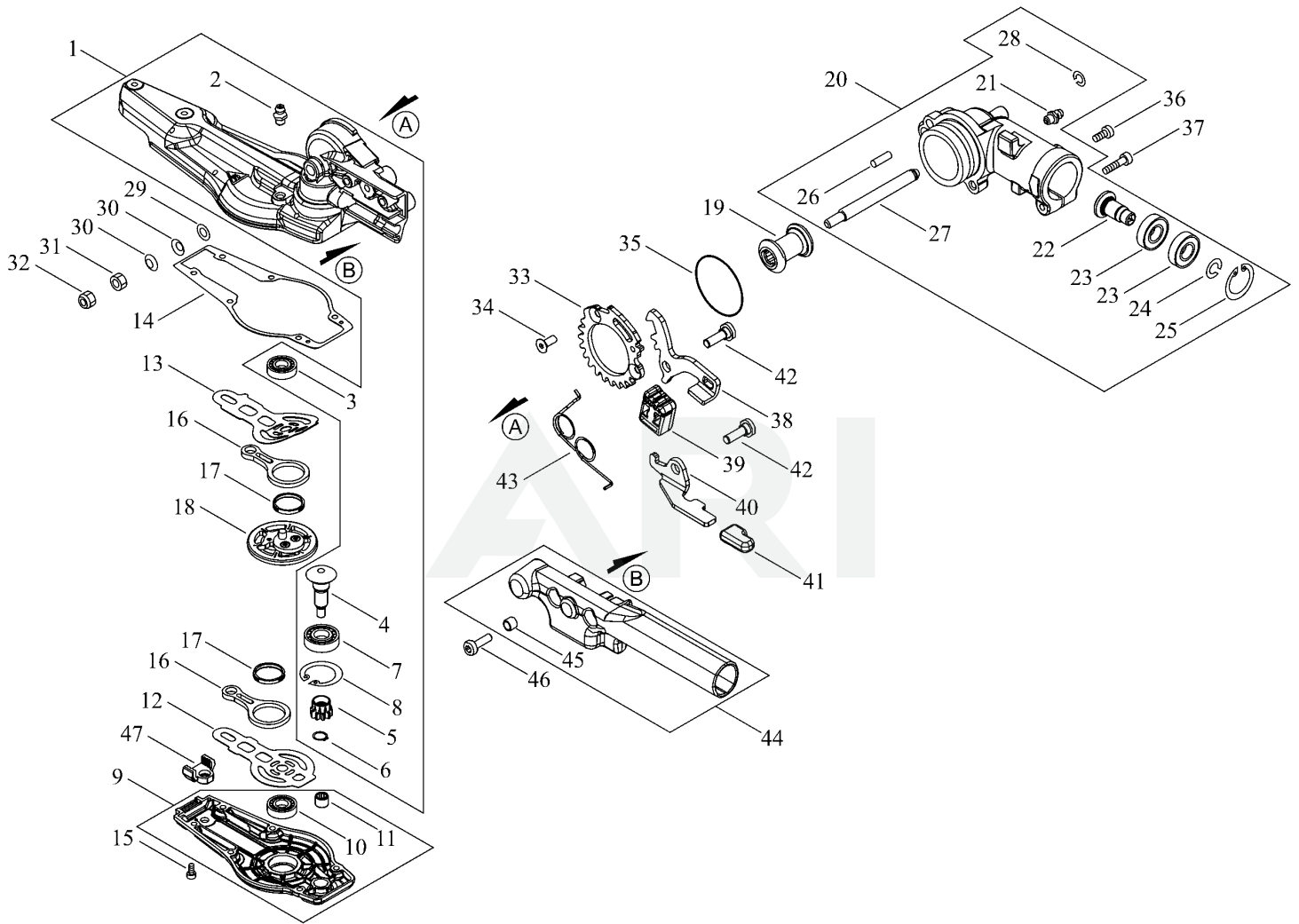


Page design © 2004-2017 by ARI Network Services, Inc.

CARBURETOR

Ref Number	Part Number	Part Description	Context Notes	Quantity
1	A021-001742	CARBURETOR,DIAPHRAGM		1
2	P005-000010	STRAINER		1
3	125337-08260	VALVE, INLET NEEDLE		1
4	125338-13930	PIN, METERING ARM		1
5	125322-07260	SPRING, COIL		1
6	125323-08260	ARM, VALVE		1
7	125339-42030	SCREW		1
8	P005-002070	COVER ASY, ROTOR		1
9	P005-000100	SCREW,THROTTLEADJUST		1
10	125344-13931	SCREW		3
11	P005-001240	POST		1
12	P005-000190	E-RING		1
13	P005-002230	DIAPHRAGM ,METERING		1
14	P005-000200	GASKET, METERING		1
15	125342-52130	COVER, DIAPHRAGM		1
16	125344-52130	SCREW		3
17	P005-000510	DIAPHRAGM, PUMP		1
18	P005-000520	GASKET, PUMP		1
19	P005-001890	BASE, ASY PRIMER		1
20	P005-003110	PUMP, PRIMER		1
21	P005-000250	RETAINER		1
22	P005-001900	SCREW		4
23	P005-000270	SCREW		1
24	P005-004260	RING,O		1
25	P005-001000	ROLLER, GUIDE		1
26	P005-001250	RETAINER,PLUG BALL		1
27	P005-001290	SCREW,MAINN MIXTURE		1
28	P005-001270	PLUG, AJUST SCREW		1
29	A259-000010	CAP,LIMITER		1

GEAR CASE



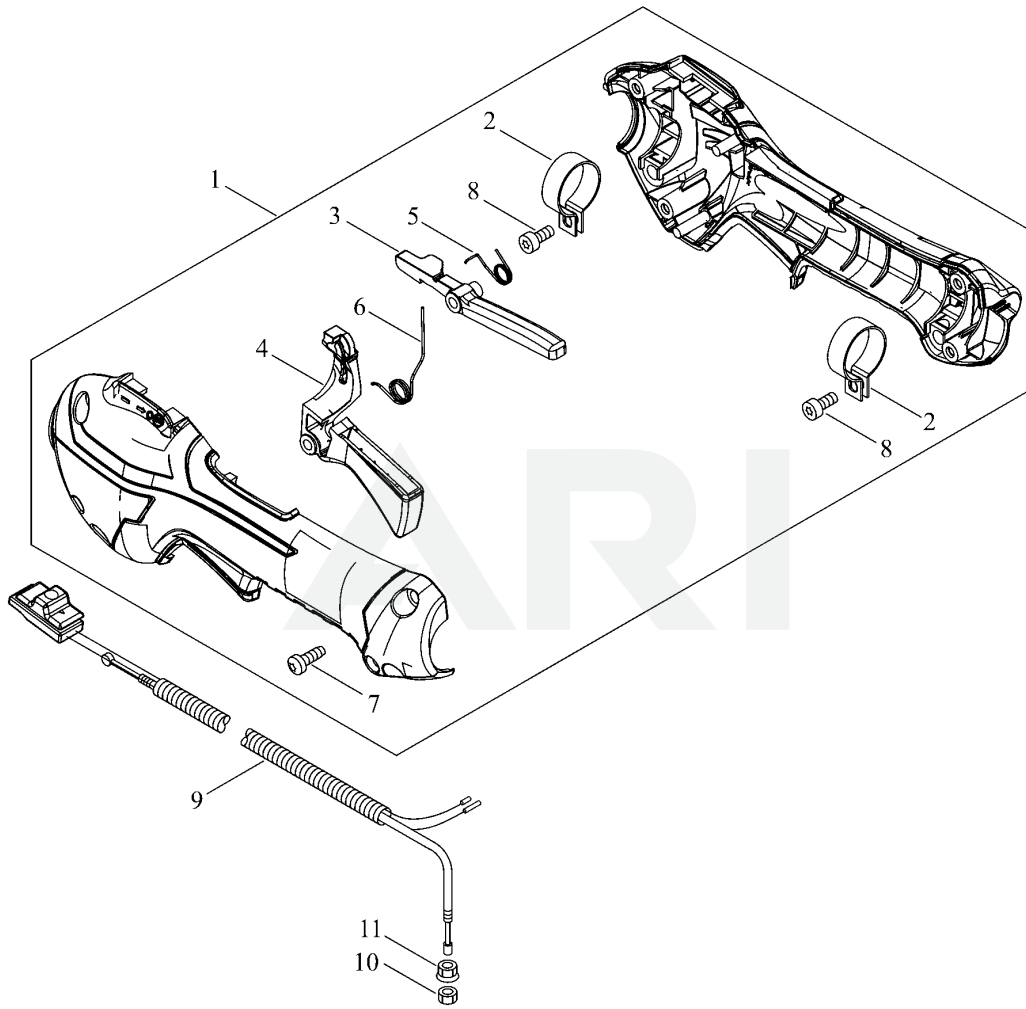
Page design © 2004-2017 by ARI Network Services, Inc.

GEAR CASE

Ref Number	Part Number	Part Description	Context Notes	Quantity
1	P100-003620	CASE,GEAR ASY		1
2	V187-000080	GREASE NIPPLE		1
3	900800-00608	BEARING, BALL		1
4	V655-000110	SHAFT,PINION		1
5	V650-000730	GEAR,SPUR		1
6	900701-00008	RETAINING RING		1
7	900800-06001	BEARING, BALL		1
8	900702-00028	RETAINING RING		1
9	P100-003630	LID ASY, GEARCASE		1
10	900800-00608	BEARING, BALL		1
11	V551-000000	BEARING,NEEDLE 6		1
12	V150-004310	PLATE,EYE		1
13	V150-004320	PLATE,EYE		1
14	V110-000200	GASKET,GEAR CASE		1
15	V804-000050	BOLT, TORX 4		6
16	C532-000530	ROD, CONNECTING		2
17	V572-000000	BEARING, NEEDLE		2
18	V060-000130	GEAR,SPUR		1
19	P100-003640	GEAR,BEVEL		1
20	P100-005380	CASE,GEAR ASY		1
21	V187-000080	GREASE NIPPLE		1
22	V651-001100	GEAR,BEVEL		1
23	900857-06901	BEARING, BALL		2
24	900706-00012	RETAINING RING		1
25	900702-00024	RETAINING RING		1
26	V623-000120	PIN,STRAIGHT 5		1
27	C534-001100	SHAFT, GEAR		1
28	92411-08000	RETAINING RING		1
29	900603-00006	WASHER		1

Ref Number	Part Number	Part Description	Context Notes	Quantity
30	V347-000030	CONE WASHER		2
31	900502-00006	NUT		1
32	900560-00006	NUT, LOCK		1
33	C465-000040	RESETTER, LATCH		1
34	900175-05012	BOLT HSH		2
35	900724-00035	O-RING		1
36	V805-000130	BOLT, TORX 5		1
37	V805-000170	BOLT, TORX 5		1
38	C661-000210	LEVER, RELEASE		1
39	V494-001070	CAP		1
40	C661-000220	LEVER, RELEASE		1
41	V494-000891	CAP		1
42	V204-000580	BOLT,6		2
43	V452-001740	SPRING,TORSION		1
44	C403-000880	GRIP, HANDLE		1
45	131045-28230	COLLAR		2
46	V805-000150	BOLT, TORX 5		2
47	V541-000620	SEAL		1

THROTTLE



Page design © 2004-2017 by ARI Network Services, Inc.

THROTTLE

Ref Number	Part Number	Part Description	Context Notes	Quantity
1	P021-047691	GRIP ASY		1
2	V495-003020	BAND		2
3	C460-000441	LOCKOUT, THROTTLE		1
4	C453-000482	LEVER, THROTTLE		1
5	V452-001510	SPRING,TORSION		1
6	V452-001520	SPRING,TORSION		1
7	V805-000000	BOLT, TORX 5		4
8	V805-000150	BOLT, TORX 5		2
9	P021-047700	CABLE ASY, CONTROL		1
10	900502-00006	NUT		1
11	900518-00006	NUT, FLANGE		1