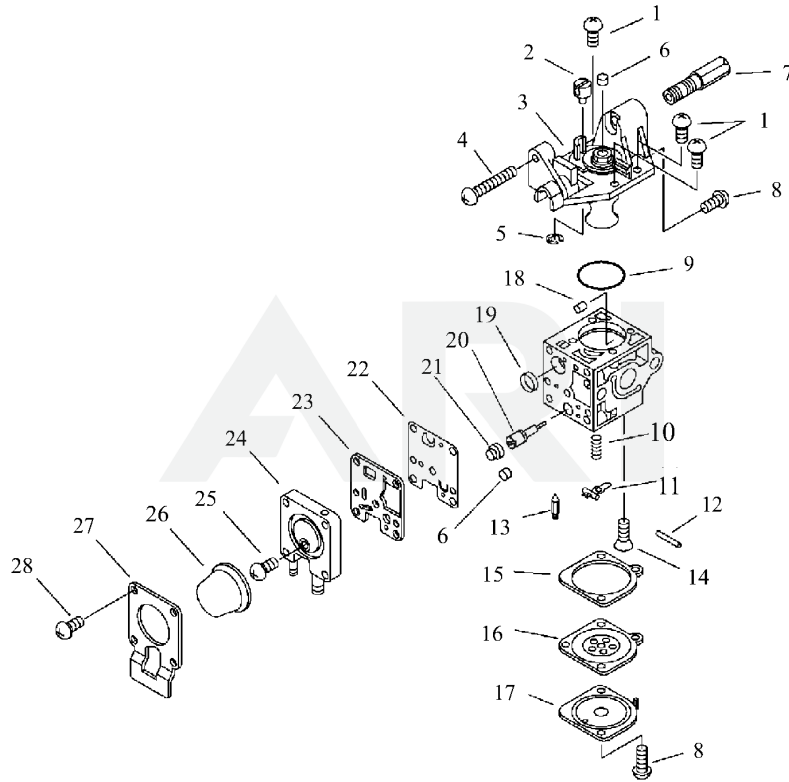


HCA-265ES_36_36008057

TABLE OF CONTENTS

CARBURETOR	3
Air Cleaner, Carburetor, Muffler	6
GEAR CASE, CUTTER	9
REBUILD KIT	12
Cylinder, Crankcase, Piston	14
FUEL TANK	17
DIAPHRAGM/GASKET KIT	19
Starter, Magneto, Clutch	21
HANDLE, MAIN PIPE	24
GEAR CASE, CUTTER~2	26

CARBURETOR



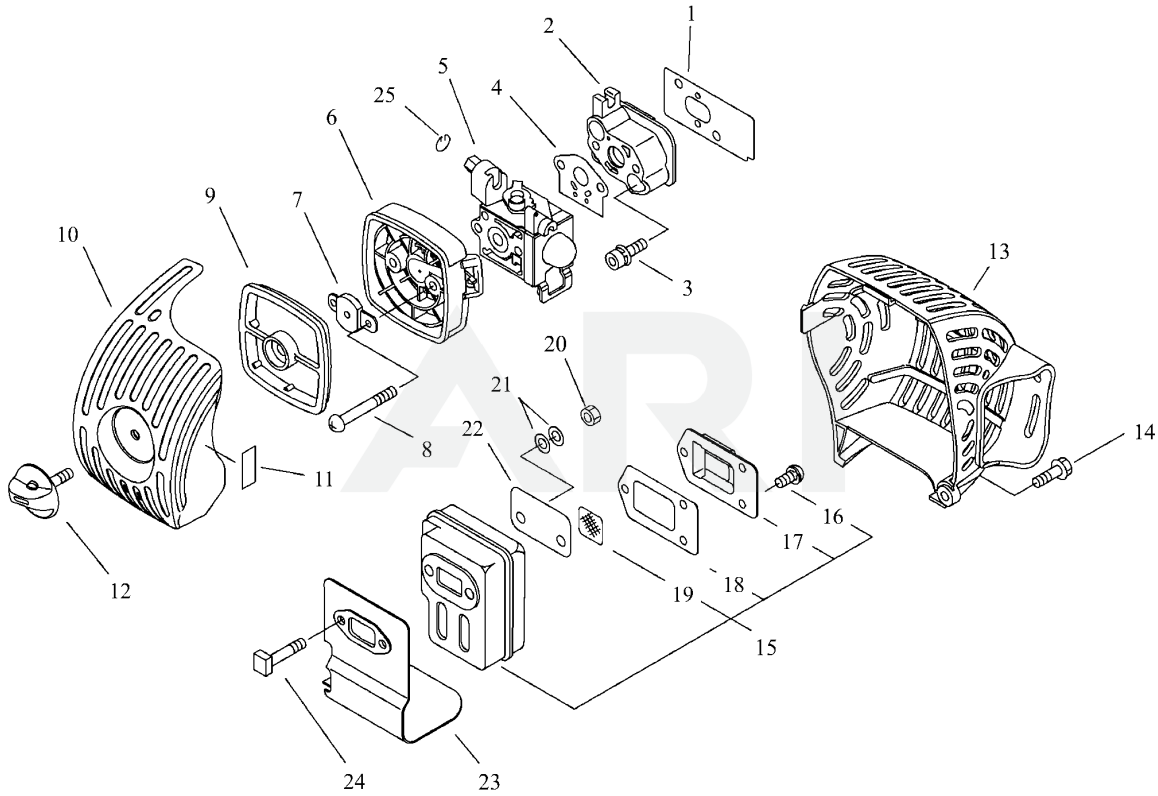
Page design © 2004-2017 by ARI Network Services, Inc.

CARBURETOR

Ref Number	Part Number	Part Description	Context Notes	Quantity
	A021-001530	CARBURETOR,DIAPHRAGM	CARBURETOR,DIAPHRAGM	1
1	125344-13931	SCREW	SCREW	3
2	P005-001240	POST	POST	1
3	P005-001980	COVER ASY, ROTOR	COVER ASY, ROTOR	1
4	P005-000100	SCREW,THROTTLEADJUST	SCREW,THROTTLEADJUST	1
5	P005-000190	E-RING	E-RING	1
6	P005-001270	PLUG, AJUST SCREW	PLUG, H AJUST SCREW	2
7	P005-002010	SCREW, WIRW ADJUST	SCREW, WIRW ADJUST	1
8	125344-52130	SCREW	SCREW	3
9	P005-000280	O-RING	O-RING	1
10	125322-07260	SPRING, COIL	SPRING, COIL	1
11	125323-08260	ARM, VALVE	ARM, VALVE	1
12	125338-13930	PIN, METERING ARM	PIN, METERING ARM	1
13	125337-08260	VALVE, INLET NEEDLE	VALVE, INLET NEEDLE	1
14	125339-42030	SCREW	SCREW	1
15	P005-000200	GASKET, METERING	GASKET, METERING	1
16	P005-001780	DIAPHRAGM	DIAPHRAGM	1
17	125342-52130	COVER, DIAPHRAGM	COVER, DIAPHRAGM	1
18	P005-001000	ROLLER, GUIDE	ROLLER, GUIDE	1

Ref Number	Part Number	Part Description	Context Notes	Quantity
19	P005-000010	STRAINER	STRAINER	1
20	P005-001290	SCREW,MAINN MIXTURE	SCREW,MAINN MIXTURE	1
21	P005-001250	RETAINER,PLUG BALL	RETAINER,PLUG BALL	1
22	P005-000510	DIAPHRAGM, PUMP	DIAPHRAGM, PUMP	1
23	P005-000520	GASKET, PUMP	GASKET, PUMP	1
24	P005-001890	BASE, ASY PRIMER	BASE, ASY PRIMER	1
25	P005-000270	SCREW	SCREW	1
26	125381-46730	PUMP, PRIMING	PUMP, PRIMING	1
27	P005-000250	RETAINER	RETAINER	1
28	P005-001900	SCREW	SCREW	4

Air Cleaner, Carburetor, Muffler



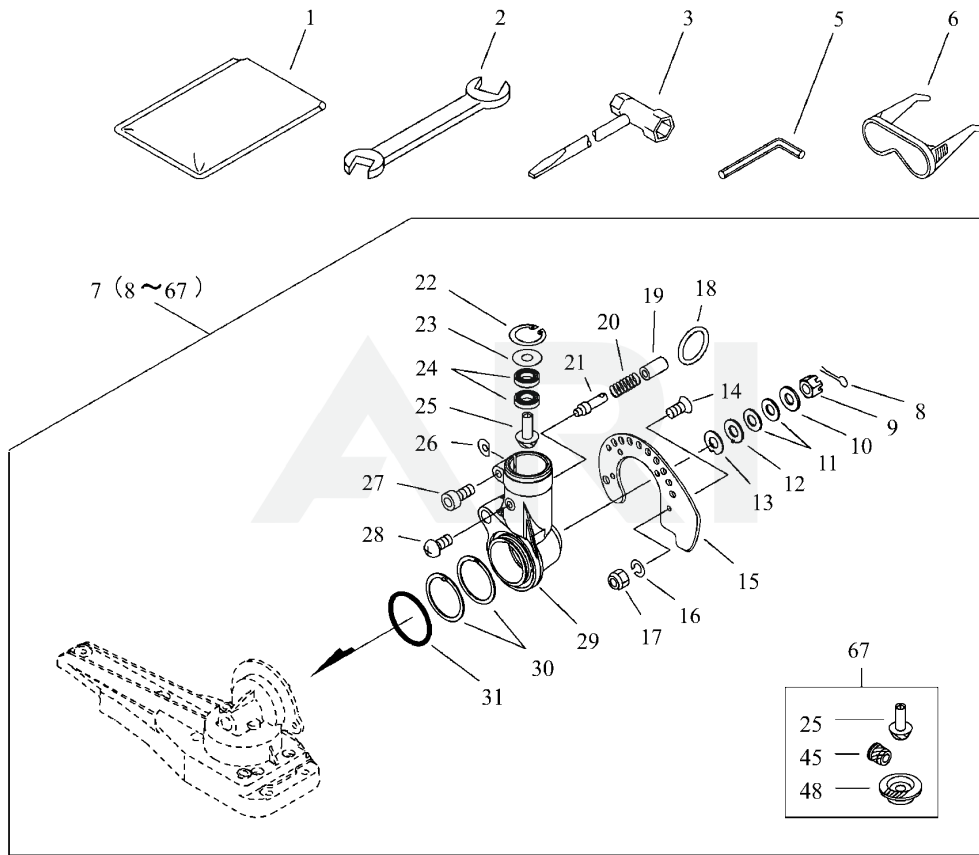
Page design © 2004-2017 by ARI Network Services, Inc.

Air Cleaner, Carburetor, Muffler

Ref Number	Part Number	Part Description	Context Notes	Quantity
1	V103-000210	GASKET,INTAKE	GASKET,INTAKE	1
2	A200-000200	INSULATOR,INTAKE	INSULATOR,INTAKE	1
3	900162-05025	BOLT HSH	BOLT, H.S. 5*25	2
4	V103-000270	GASKET,INTAKE	GASKET,INTAKE	1
5	A021-001530	CARBURETOR,DIAPHRAGM	CARBURETOR,DIAPHRAGM	1
6	P021-004480	CASE, AIR CLEANER	CASE, AIR CLEANER	1
7	129011-52730	PLATE, PREVENT	PLATE, PREVENT	1
8	900242-05065	SCREW	SCREW 5*65	2
9	130310-54130	FILTER, AIR	FILTER, AIR	1
9	A226-001410	ELEMENT,AIR FILTER	ELEMENT,AIR FILTER	1
10	A232-000330	LID,CLEANER	LID,CLEANER	1
11	890332-52730	LABEL, CHOKE	LABEL, CHOKE	1
12	V299-000250	KNOB,FASTENER	KNOB,FASTENER	1
13	A320-000341	COVER,MUFFLER	COVER,MUFFLER	1
14	900106-05014	BOLT HSH, FLANGE	BOLT, H.S. 5*14	1
15	P021-014220	MUFFLER ASY	MUFFLER ASY	1
16	900242-04010	SCREW	SCREW 4*10	3
17	A313-000990	GUIDE, EXHAUST	GUIDE, EXHAUST	1
18	145866-42031	GASKET, MUFFLER LID	GASKET, MUFFLER LID	1

Ref Number	Part Number	Part Description	Context Notes	Quantity
19	145862-40630	SCREEN, MUFFLER	SCREEN, MUFFLER	1
20	900500-00005	NUT	NUT 5	2
21	92280-05000	WASHER, NORD-LOCK	WASHER, NORD-LOCK	2
22	V150-001760	PLATE,EYE	PLATE,EYE	1
23	V104-000780	GASKET,EXHAUST	GASKET,EXHAUST	1
24	V203-000120	BOLT,5	BOLT,5	2
25	100015-00120	CIRCLIP, PISTON PIN	CIRCLIP, PISTON PIN	1

GEAR CASE, CUTTER



Page design © 2004-2017 by ARI Network Services, Inc.

GEAR CASE, CUTTER

Ref Number	Part Number	Part Description	Context Notes	Quantity
1	898510-07130	BAG, TOOL	BAG, TOOL	1
2	895112-00330	SPANNER 8*10	SPANNER 8*10	1
3	895410-03930	WRENCH, W/S. DRIVER	WRENCH, W/S. DRIVER	1
5	895610-00130	L-WRENCH (4MM)	L-WRENCH (4MM)	1
6	X690-000050	GOGGLE	GOGGLE	1
7	P021-010466	CASE ASY, GEAR	CASE ASY, GEAR	1
8	93000-16180	PIN, SPLIT	PIN SPLIT	1
9	900529-00008	NUT, SLOTT 8	NUT, SLOTT 8	1
10	V306-000140	WASHER,CIRCULAR 8	WASHER,CIRCULAR 8	1
11	V347-000010	WASHER,CONICAL	WASHER,CONICAL	2
12	V340-000110	WASHER	WASHER	1
13	V110-000040	GASKET,GEAR CASE	GASKET,GEAR CASE	1
14	900212-04012	SCREW	SCREW 4*12	2
15	C465-000010	RESETTER, LATCH	RESETTER, LATCH	1
16	900605-00004	WASHER, SPRING	WASHER, SPRING 4	2
17	900560-00004	NUT, LOCK	LOCKNUT	2
18	V583-000050	RING	RING	1
19	V355-000310	COLLAR,8	COLLAR,8	1
20	V450-000420	SPRING,COMPRESSION	SPRING,COMPRESSION	1

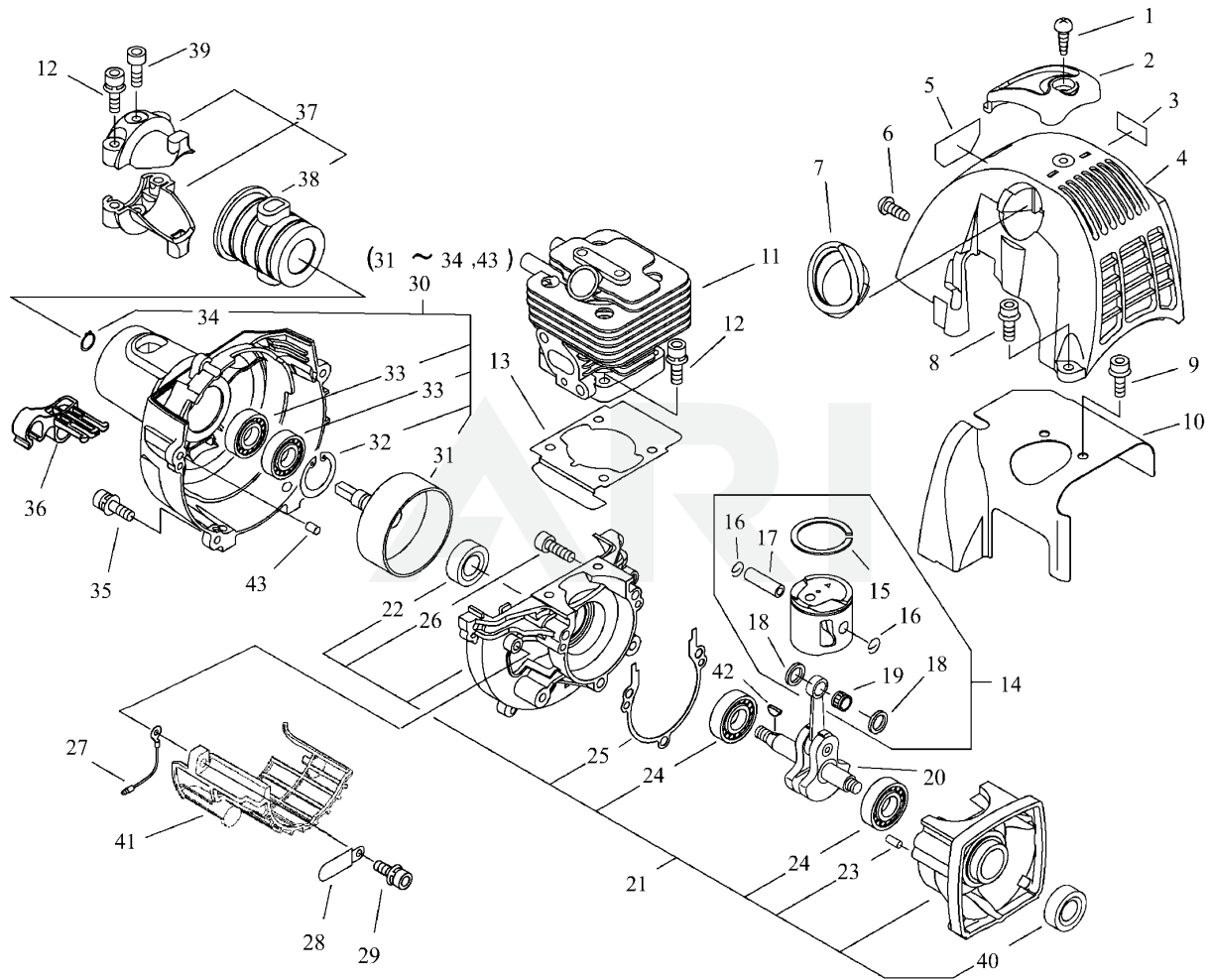
Ref Number	Part Number	Part Description	Context Notes	Quantity
21	V642-000020	PIN,LINCH	PIN,LINCH	1
22	900702-00022	RETAINING RING	CIRCLIP 22	1
23	V583-000060	RING	RING	1
24	900859-06900	BEARING, BALL 6900	BEARING, BALL 6900	2
67	P021-010690	BEVEL GEAR SET	BEVEL GEAR SET	1
25	V651-000240	GEAR,BEVEL	GEAR,BEVEL	1
45	V651-000250	GEAR,BEVEL	GEAR,BEVEL	1
48	V651-000260	GEAR,BEVEL	GEAR,BEVEL	1
26	V340-000170	WASHER	WASHER	1
27	900162-05025	BOLT HSH	BOLT, H.S. 5*25	1
28	900242-05012	SCREW	SCREW 5*12	1
29	C531-000292	CASE,GEAR	CASE,GEAR	1
30	V340-000120	WASHER	WASHER	2
31	900724-00032	O-RING	O-RING	1

REBUILD KIT

REBUILD KIT

Ref Number	Part Number	Part Description	Context Notes	Quantity
	P005-001990	REBUILD KIT	REBUILD KIT	1
1	125322-07260	SPRING, COIL	SPRING, COIL	1
2	125323-08260	ARM, VALVE	ARM, VALVE	1
3	125338-13930	PIN, METERING ARM	PIN, METERING ARM	1
4	125337-08260	VALVE, INLET NEEDLE	VALVE, INLET NEEDLE	1
5	P005-000200	GASKET, METERING	GASKET, METERING	1
6	P005-001780	DIAPHRAGM	DIAPHRAGM	1
7	P005-001000	ROLLER, GUIDE	ROLLER, GUIDE	1
8	P005-000010	STRAINER	STRAINER	1
9	P005-000510	DIAPHRAGM, PUMP	DIAPHRAGM, PUMP	1
10	P005-000520	GASKET, PUMP	GASKET, PUMP	1

Cylinder, Crankcase, Piston



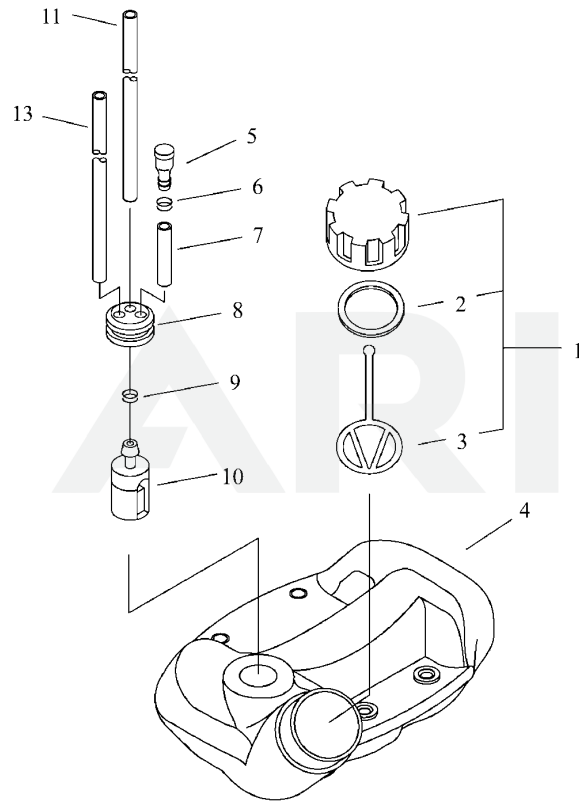
Page design © 2004-2017 by ARI Network Services, Inc.

Cylinder, Crankcase, Piston

Ref Number	Part Number	Part Description	Context Notes	Quantity
1	900256-05016	SCREW, TAPPING	SCREW, TAPPING	1
2	A162-000100	GUARD, TOP	GUARD, TOP	1
3	X505-002310	LABEL, CAUTION	LABEL, CAUTION	1
4	A160-000780	COVER, CYLINDER	COVER, CYLINDER	1
5	X547-000930	LABEL, ECHO	LABEL, ECHO	1
6	91140-05012	BOLT HS, BUTTON	BOLT	1
7	A162-000080	GUARD, TOP	GUARD, TOP	1
8	900106-05014	BOLT HSH, FLANGE	BOLT, H.S. 5*14	1
9	900106-05008	BOLT HSH, FLANGE	BOLT, H.S. 5* 8	2
10	A160-000691	COVER, CYLINDER	COVER, CYLINDER	1
11	A130-000761	CYLINDER	CYLINDER	1
12	900162-05025	BOLT HSH	BOLT, H.S. 5*25	6
13	V100-000210	GASKET, CYL	GASKET, CYL	1
14	P021-009771	PISTON KIT	PISTON KIT	1
15	A101-000170	RING, PISTON	RING, PISTON	1
16	100015-03931	CIRCLIP, PISTON PIN	CIRCLIP, PISTON PIN	2
17	100013-35430	PIN, PISTON	PIN, PISTON	1
18	100014-53630	SPACER, PISTON PIN	SPACER, PISTON PIN	2
19	100012-16131	BEARING, NEEDLE	BEARING, NEEDLE	1
20	A011-000434	CRANKSHAFT, ASY	CRANKSHAFT, ASY	1
21	P021-010801	CRANKCASE KIT	CRANKCASE KIT	1
22	100212-42031	OILSEAL	OILSEAL	1
40	V505-000050	SEAL, OIL 12	SEAL, OIL 12	1
23	100215-03930	PIN, DOWEL	PIN, DOWEL	2
24	94035-36201	BEARING, BALL	BEARING BALL	2
25	100242-42030	GASKET, CRANKCASE	GASKET, CRANKCASE	1
26	900162-05028	BOLT HSH	BOLT, H.S. 5*28	3
27	156635-43130	LEAD, GROUND	LEAD, GROUND	1
28	159116-21231	CLAMP	CLAMP	1

Ref Number	Part Number	Part Description	Context Notes	Quantity
29	900162-05016	BOLT HSH	BOLT, H.S. 5*16	1
30	P021-009790	COVER ASY, FAN	COVER ASY, FAN	1
31	A556-000390	DRUM, CLUTCH	DRUM, CLUTCH	1
32	900702-00028	RETAINING RING	CIRCLIP 28	1
33	900807-06001	BEARING, BALL	BEARING, BALL 6001	2
34	900701-00012	RETAINING RING	CIRCLIP 12	1
43	V622-000020	PIN,STRAIGHT 4	PIN,STRAIGHT 4	2
35	900163-04016	BOLT HSH	BOLT HSH	4
36	V491-000180	CLIP	CLIP	1
37	P021-009380	FIXTURE,MAIN PIPE	FIXTURE,MAIN PIPE	1
38	V420-001081	CUSHION	CUSHION	1
39	900105-05012	BOLT HSH	BOLT, H.S. 5*12	1
41	A127-000160	COVER,DUST	COVER,DUST	1
42	100142-12330	KEY, WOODRUFF	KEY, WOODRUFF	1

FUEL TANK



Page design © 2004-2017 by ARI Network Services, Inc.

FUEL TANK

Ref Number	Part Number	Part Description	Context Notes	Quantity
1	131004-55530	CAP ASSY, FUEL TANK	CAP ASSY, FUEL TANK	1
2	131016-55830	GASKET, FUEL CAP	GASKET, FUEL CAP	1
3	131051-56030	CLIP, FUEL CAP	CLIP, FUEL CAP	1
4	P021-013640	TANK,FUEL	TANK,FUEL	1
5	A356-000030	VALVE,CHECK	VALVE,CHECK	1
6	132013-26630	CLIP	CLIP	1
7	V471-001180	PIPE	PIPE	1
8	132115-55930	GROMMET, FUEL	GROMMET, FUEL	1
9	132013-09820	CLIP	CLIP	1
10	A369-000000	STRAINER, FUEL	STRAINER, FUEL	1
11	V470-000580	PIPE	PIPE	1
13	132010-40830	PIPE 3* 6* 75	PIPE 3* 6* 75	1

DIAPHRAGM/GASKET KIT

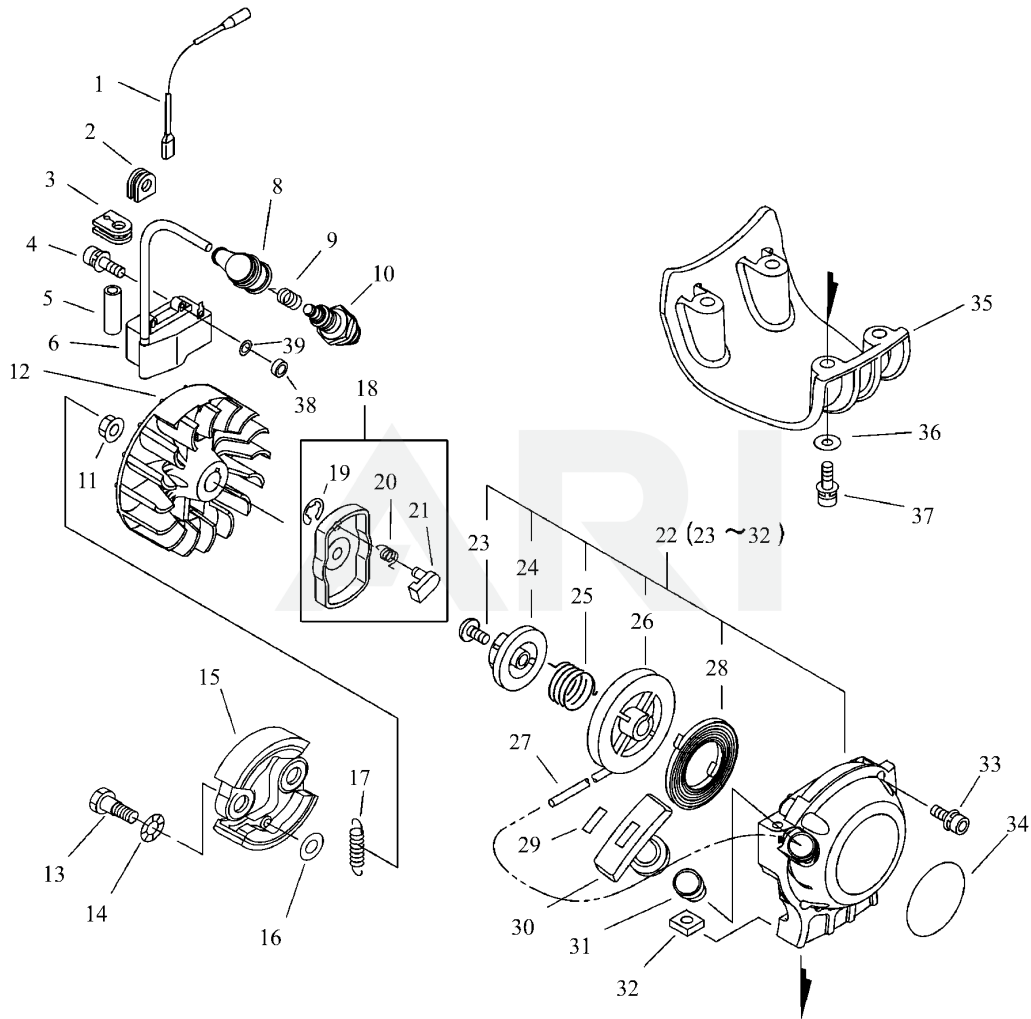


Page design © 2004-2017 by ARI Network Services, Inc.

DIAPHRAGM/GASKET KIT

Ref Number	Part Number	Part Description	Context Notes	Quantity
	P005-001660	DIAPHRAGM/GASKET KIT	DIAPHRAGM/GASKET KIT	1
1	P005-001780	DIAPHRAGM	DIAPHRAGM	1
2	P005-000200	GASKET, METERING	GASKET, METERING	1
3	P005-000510	DIAPHRAGM, PUMP	DIAPHRAGM, PUMP	1
4	P005-000520	GASKET, PUMP	GASKET, PUMP	1

Starter, Magneto, Clutch



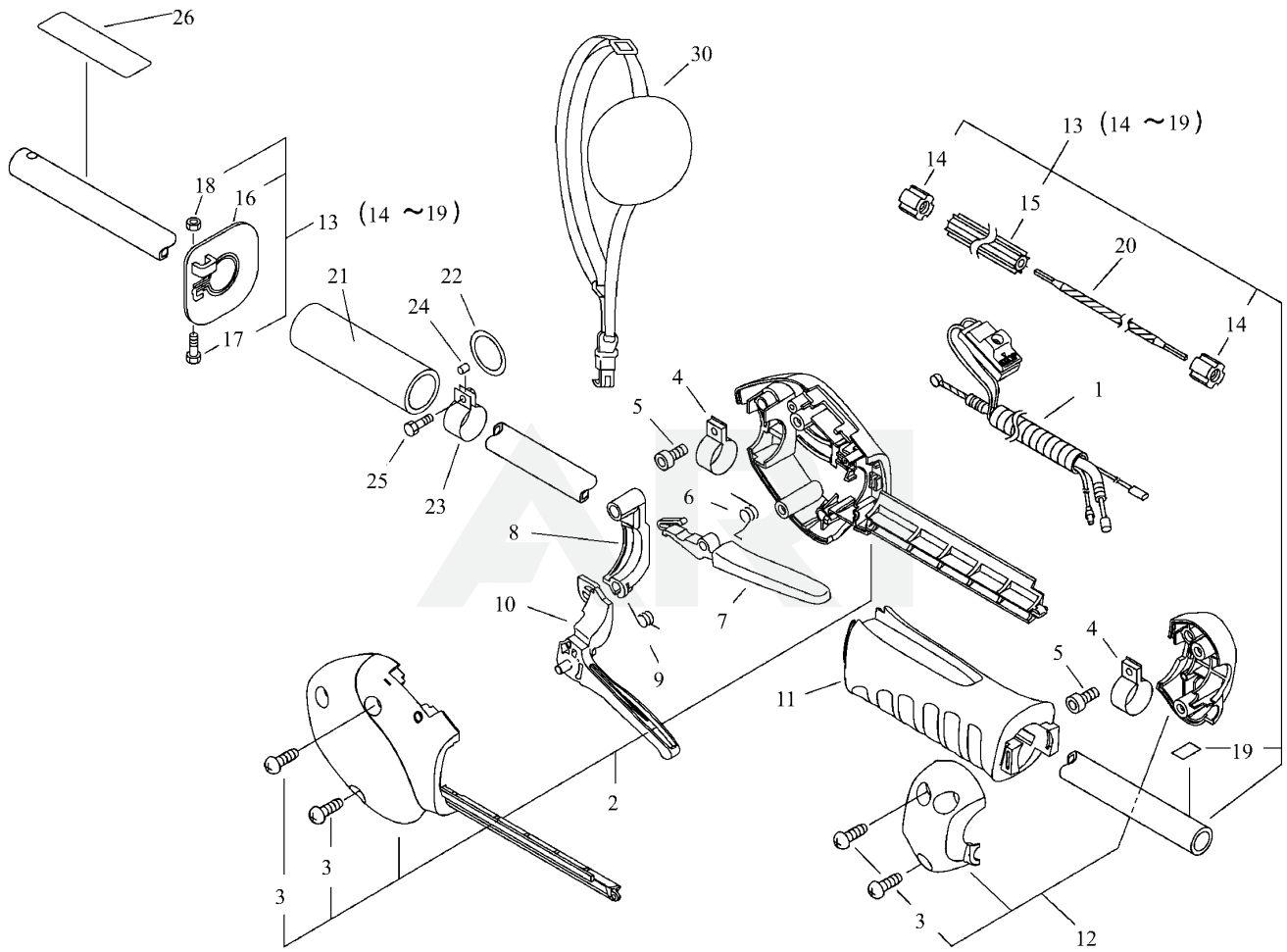
Page design © 2004-2017 by ARI Network Services, Inc.

Starter, Magneto, Clutch

Ref Number	Part Number	Part Description	Context Notes	Quantity
1	162010-04561	LEAD, GROUND	LEAD, GROUND	1
2	156110-04920	BUSHING	BUSHING	1
3	V135-000030	GROMMET,HT CORD	GROMMET,HT CORD	1
4	V202-000130	BOLT,4	BOLT,4	2
5	V475-003380	TUBE	TUBE	1
6	A411-000250	COIL, IGNITION	COIL, IGNITION	1
6	A411-000251	COIL, IGNITION	COIL, IGNITION	1
8	A427-000013	CAP,SPARK PLUG	CAP,SPARK PLUG	1
9	A426-000010	TERMINAL,SPARKPLUG	TERMINAL,SPARKPLUG	1
10	A425-000000	SPARKPLUG	SPARKPLUG	1
11	900515-00008	NUT, FLANGE	NUT, FLANGE 8	1
12	A409-000310	ROTOR, MAGNETO	ROTOR, MAGNETO	1
13	175046-56030	SHAFT, CLUTCH	SHAFT, CLUTCH	2
14	175049-56030	WASHER	WASHER	2
15	A553-000010	ARM,CLUTCH	ARM,CLUTCH	2
16	175048-05530	WASHER (I)	WASHER (I)	2
17	V451-000400	SPRING,TENSION	SPRING,TENSION	1
18	A052-000180	PULLEY,ASM STARTER	PULLEY,ASM STARTER	1
19	P022-002100	E-RING	E-RING	2

Ref Number	Part Number	Part Description	Context Notes	Quantity
20	P022-006510	SPRING, RETURN	SPRING, RETURN	2
21	P022-006850	PAWL, STARTER	PAWL, STARTER	2
22	A051-000940	STARTER,RECOIL ASY	STARTER,RECOIL ASY	1
23	177236-61830	SCREW	SCREW	1
24	P022-008280	PLATE, CAM(TI12-511)	PLATE, CAM(TI12-511)	1
25	P022-008270	SPRING,DAMPER	SPRING,DAMPER	1
26	P022-006830	DRUM	DRUM	1
27	P022-008260	ROPE	ROPE	1
28	177220-42030	SPRING, REWIND	SPRING, REWIND	1
29	P022-001350	STOPPER, ROPE	STOPPER, ROPE	1
30	177228-27030	GRIP, STARTER	GRIP, STARTER	1
31	177227-42030	GUIDE, ROPE	GUIDE, ROPE	1
32	900565-00005	NUT, SQUARE	NUT	4
33	900163-04016	BOLT HSH	BOLT HSH	4
34	X502-000330	LABEL,ECHO	LABEL,ECHO	1
35	A175-000030	STAND	STAND	1
36	900603-00005	WASHER	WASHER 5	4
37	900162-05025	BOLT HSH	BOLT, H.S. 5*25	4
38	V322-000031	WASHER,CIRCULAR 4	WASHER,CIRCULAR 4	2
39	900603-00004	WASHER	WASHER 4	2

HANDLE, MAIN PIPE

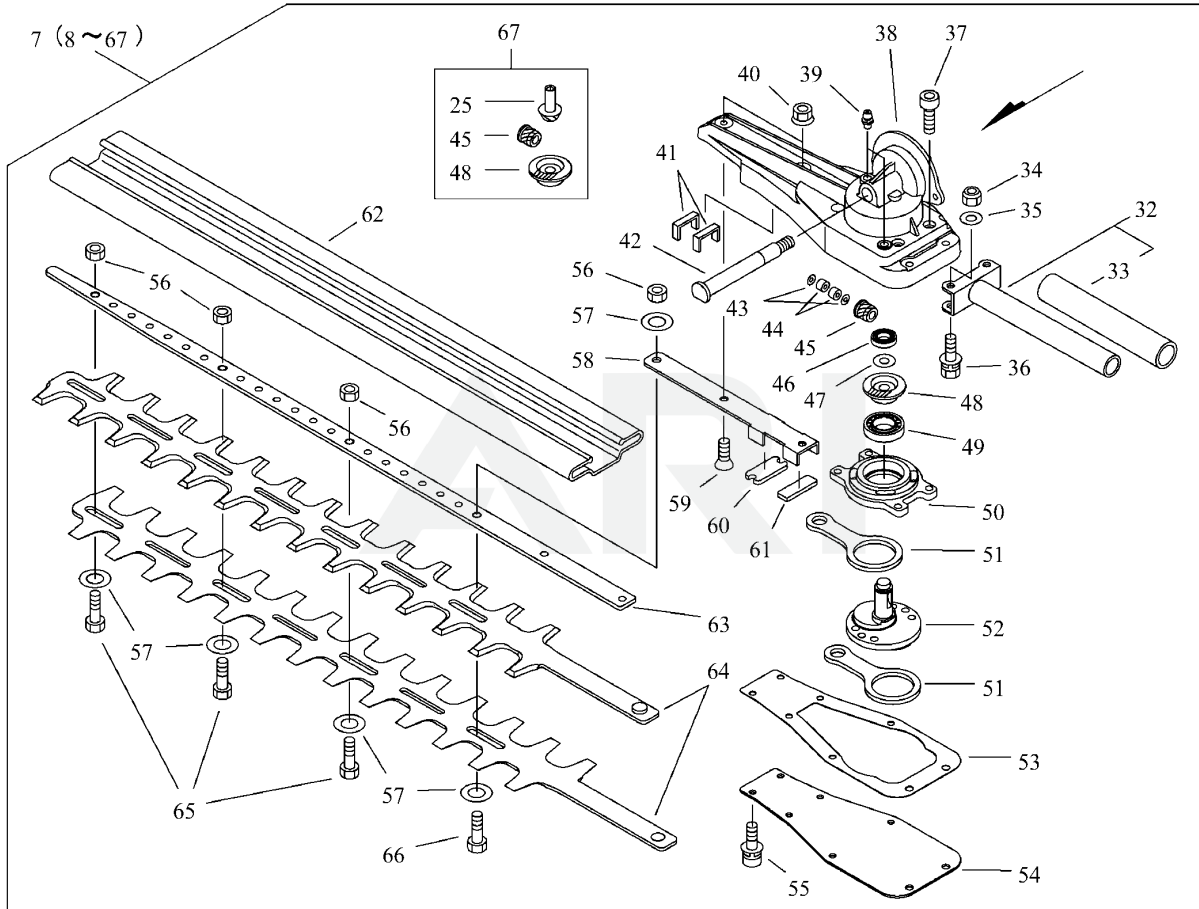


Page design © 2004-2017 by ARI Network Services, Inc.

HANDLE, MAIN PIPE

Ref Number	Part Number	Part Description	Context Notes	Quantity
1	V043-000180	CABLE ASY, CONTROL	CABLE ASY, CONTROL	1
2	P021-009961	HANDLE PIECE	HANDLE PIECE	1
3	889950-21060	SCREW 5	SCREW 5	2
4	V495-000680	BAND	BAND	2
5	900162-05020	BOLT HSH	BOLT, H.S. 5*20	2
6	V452-000240	SPRING,TORSION	SPRING,TORSION	1
7	C460-000050	LOCKOUT,THROTTLE	LOCKOUT,THROTTLE	1
8	C453-000151	LEVER,THROTTLE	LEVER,THROTTLE	1
9	V452-000212	SPRING,TORSION	SPRING,TORSION	1
10	C450-000182	TRIGGER,THROTTLE	TRIGGER,THROTTLE	1
11	C412-000090	GRIP, HANDLE	GRIP, HANDLE	1
12	P021-009970	HANDLE FIXTURE	HANDLE FIXTURE	1
13	C050-000680	PIPE, MAIN	PIPE, MAIN	1
14	610246-44730	STOPPER	STOPPER	2
15	C507-000260	LINER, FLEXIBLE	LINER, FLEXIBLE	1
16	C440-000020	GUARD,HAND	GUARD,HAND	1
17	900142-05020	BOLT 5*20 (W/W,SW)	BOLT 5*20 (W/W,SW)	1
18	900500-00005	NUT	NUT 5	1
19	890152-04930	LABEL, CAUTION	LABEL, CAUTION	1
20	610013-44730	SHAFT, FLEXIBLE	SHAFT, FLEXIBLE	1
21	351012-54330	GRIP	GRIP	1
22	301016-52730	RING,HARNESS	RING,HARNESS	1
23	301207-08930	HOOK	HOOK	1
24	699012-03330	SPACER	SPACER	1
25	900100-05018	BOLT 5*18	BOLT 5*18	1
26	890617-12361	LABEL, CAUTION	LABEL, CAUTION	1
30	C062-000100	HARNESS,SHOULDER	HARNESS,SHOULDER	1

GEAR CASE, CUTTER~2



Page design © 2004-2017 by ARI Network Services, Inc.

GEAR CASE, CUTTER~2

Ref Number	Part Number	Part Description	Context Notes	Quantity
32	351305-12360	HANDLE	HANDLE	1
33	351315-12360	GRIP, HANDLE	GRIP, HANDLE	1
34	900560-00005	NUT, LOCK	NUT, LOCK 5	2
35	900600-00005	WASHER	WASHER 5	2
36	900142-05028	BOLT	BOLT 5*28 (W/W,SW)	2
37	900105-05008	BOLT HSH	BOLT, H.S. 5*8	4
38	C531-000302	CASE,GEAR	CASE,GEAR	1
39	880110-10860	NIPPLE, GREASE	NIPPLE, GREASE	2
40	900516-00005	NUT, FLANGE	NUT, FRANGE 5	2
41	V541-000130	SEAL	SEAL	2
42	C534-000260	SHAFT,GEAR	SHAFT,GEAR	1
43	V307-000150	WASHER,CIRCULAR 10	WASHER,CIRCULAR 10	2
44	V555-000040	BEARING,NEEDLE 10	BEARING,NEEDLE 10	2
46	900855-06900	BEARING, BALL	BEARING, BALL 6900	1
47	V583-000040	RING	RING	1
49	900800-06001	BEARING, BALL	BEARING, BALL 6001	1
50	C503-000072	HOLDER,BEARING	HOLDER,BEARING	1
51	C532-000140	ROD, CONNECTING	ROD, CONNECTING	2
51	C532-000120	ROD, CONNECTING	ROD, CONNECTING	2
52	C533-000041	CAM	CAM	1
53	V110-000051	GASKET,GEAR CASE	GASKET,GEAR CASE	1
54	C539-000010	LID,GEARCASE	LID,GEARCASE	1
55	900162-04014	BOLT HSH	BOLT, H.S. 4*14	6

Ref Number	Part Number	Part Description	Context Notes	Quantity
56	433022-06460	NUT	NUT	4
57	699118-04560	WASHER	WASHER	5
58	C538-000120	GUIDE,CUTTER	GUIDE,CUTTER	1
59	900212-05020	SCREW 5*20	SCREW 5*20	2
60	C538-000110	GUIDE,CUTTER	GUIDE,CUTTER	1
61	C538-000100	GUIDE,CUTTER	GUIDE,CUTTER	1
62	X495-000060	SCABBARD,BLADE	SCABBARD,BLADE	1
63	X425-000220	SUPPORT,CUTTER	SUPPORT,CUTTER	1
64	X411-000350	CUTTER	CUTTER	2
65	699115-04660	BOLT 6	BOLT 6	3
66	699115-07760	BOLT, CUTTER	BOLT, CUTTER	1