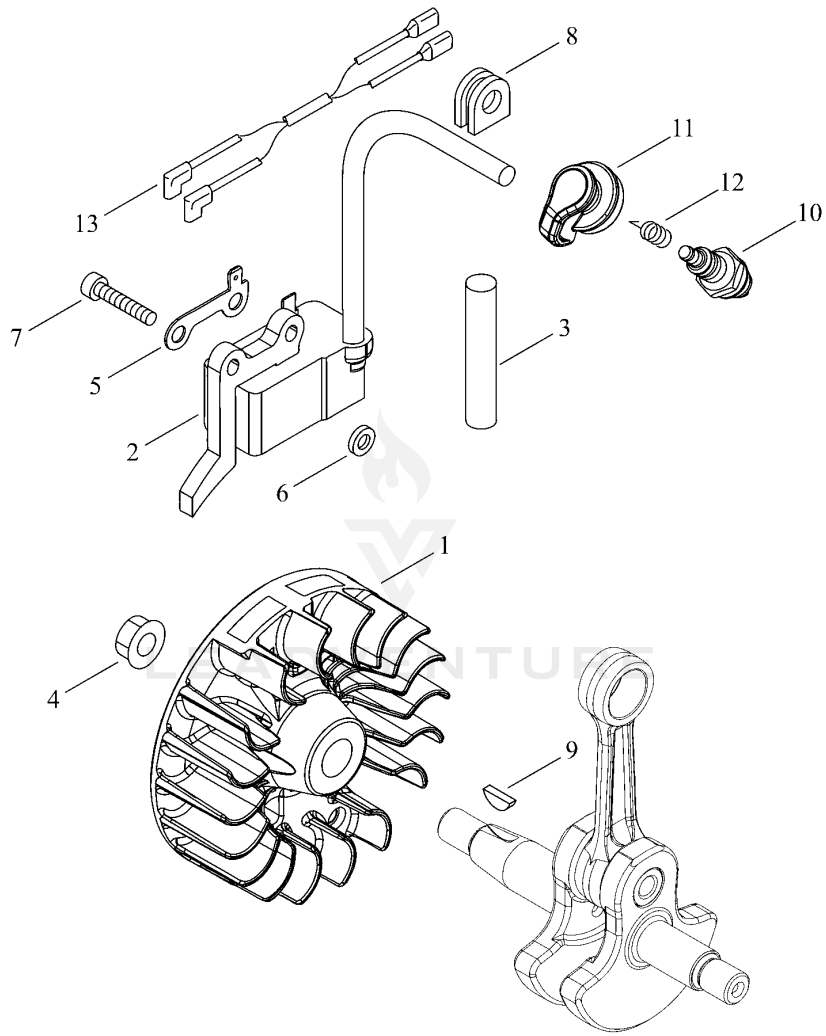


HCA-2620ES-HD_37_37001001

TABLE OF CONTENTS

MAGNETO	3
CYLINDER, PISTON, CRANKSHAFT	5
MUFFLER	7
CUTTING BLADE	9
MAIN PIPE	11
FUEL TANK	13
RECOIL STARTER, PULLY	15
CARBURETOR	17
AIR CLEANER, CARBURETOR	19
CRANKCASE	21
GEAR CASE	23
CLUTCH	26
THROTTLE	28
ACCESSORIES	30

MAGNETO

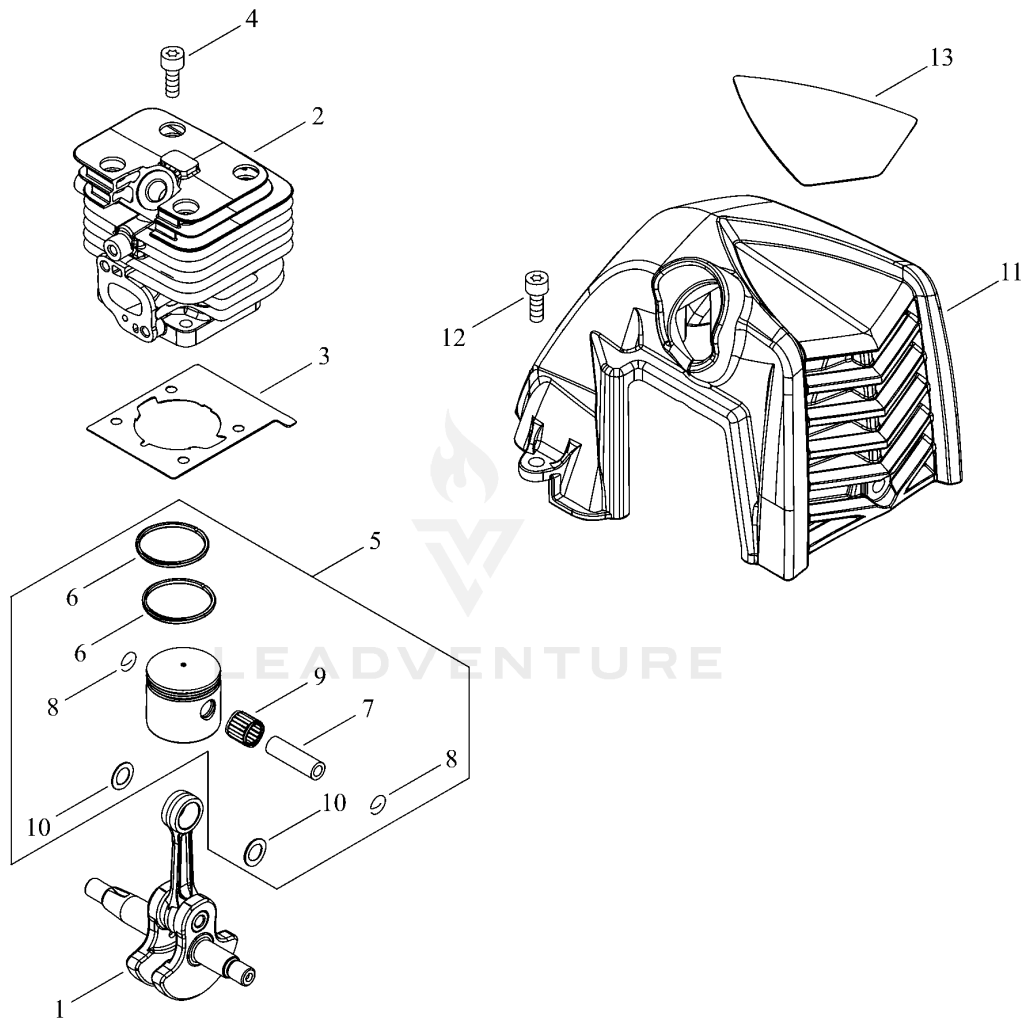


Rendered by LeadVenture, Inc.

MAGNETO

Ref Number	Part Number	Part Description	Context Notes	Quantity
1	A409-001320	ROTOR, MAGNETO		1
2	A411-001790	COIL, IGNITION		1
3	V475-007540	TUBE		1
4	900515-00008	NUT, FLANGE		1
5	C152-001030	CONNECTOR		1
6	V323-000070	WASHER,CIRCULAR 5		2
7	V805-000210	BOLT, TORX 5		2
8	156110-04920	BUSHING		1
9	100142-12330	KEY, WOODRUFF		1
10	A425-000060	SPARKPLUG		1
11	A427-000221	CAP,SPARK PLUG		1
12	A426-000010	TERMINAL,SPARKPLUG		1
13	V485-002880	LEAD		1

CYLINDER, PISTON, CRANKSHAFT

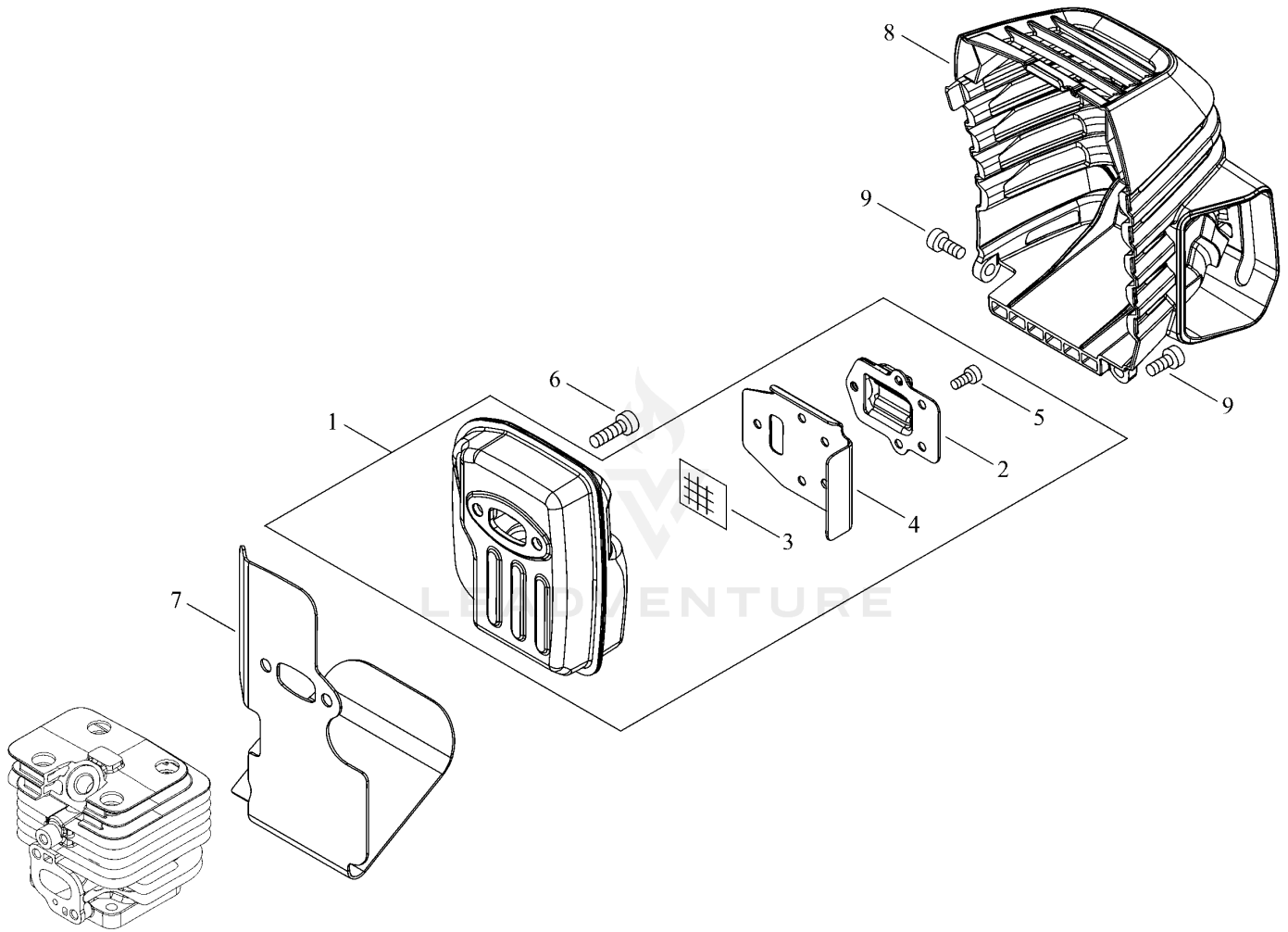


Rendered by LeadVenture, Inc.

CYLINDER, PISTON, CRANKSHAFT

Ref Number	Part Number	Part Description	Context Notes	Quantity
1	A011-001460	CRANKSHAFT,ASY		1
2	A130-002330	CYLINDER		1
3	V100-000840	GASKET,CYL		1
4	V805-000210	BOLT, TORX 5		4
5	P021-050840	PISTON KIT		1
6	A101-000010	RING,PISTON		2
7	100013-35430	PIN, PISTON		1
8	100015-03931	CIRCLIP, PISTON PIN		2
9	V554-000020	BEARING,NEEDLE 9		1
10	100014-53630	SPACER, PISTON PIN		2
11	A160-003280	COVER,CYLINDER		1
12	V835-000010	BOLT, TORX 5		2
13	X503-014720	LABEL,MODEL		1

MUFFLER

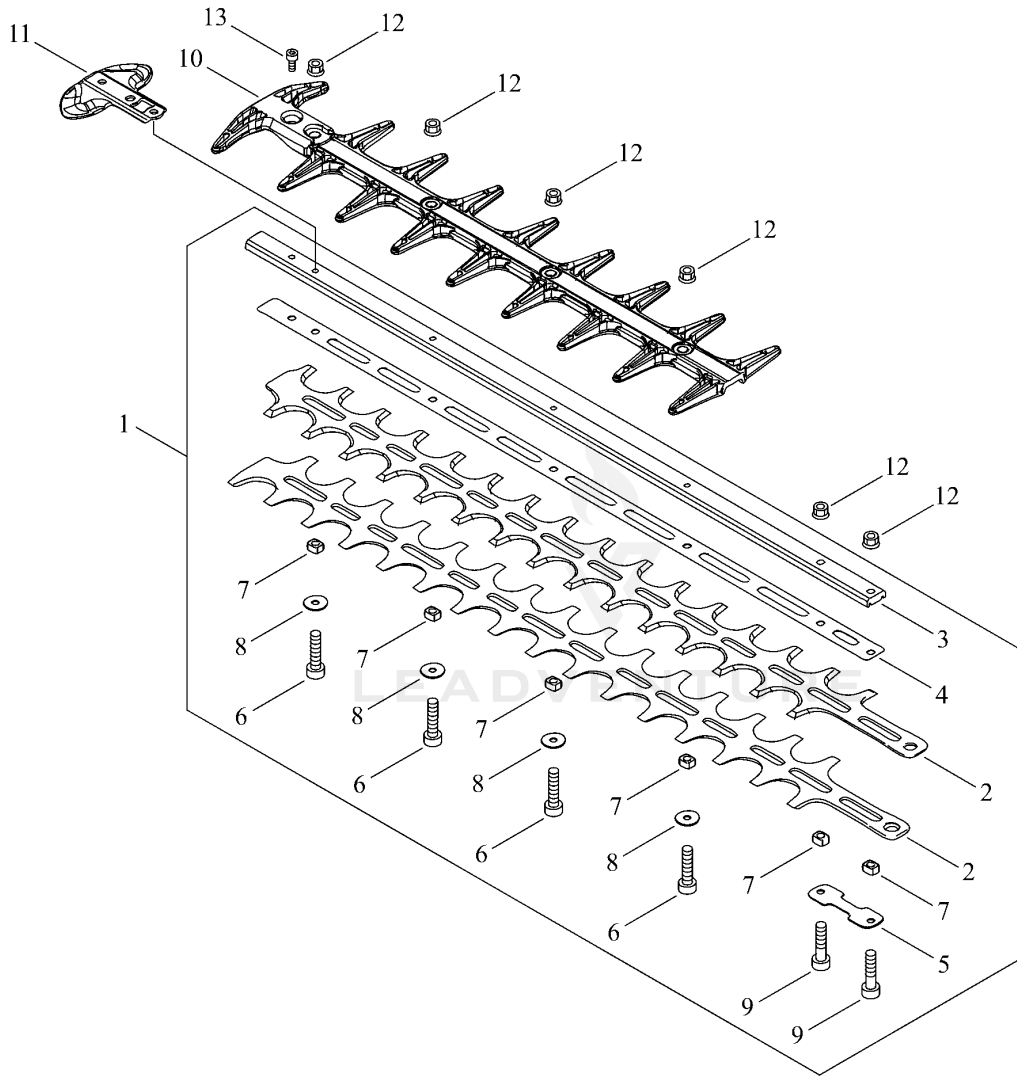


Rendered by LeadVenture, Inc.

MUFFLER

Ref Number	Part Number	Part Description	Context Notes	Quantity
1	P100-004021	MUFFLER ASY		1
2	A313-002060	GUIDE, EXHAUST		1
3	145862-40630	SCREEN, MUFFLER		1
4	V104-002300	GASKET,EXHAUST		1
5	V804-000030	BOLT, TORX 4		5
6	V805-000250	BOLT, TORX 5		2
7	V104-002310	GASKET,EXHAUST		1
8	A320-001200	COVER,MUFFLER		1
9	V835-000010	BOLT, TORX 5		2

CUTTING BLADE

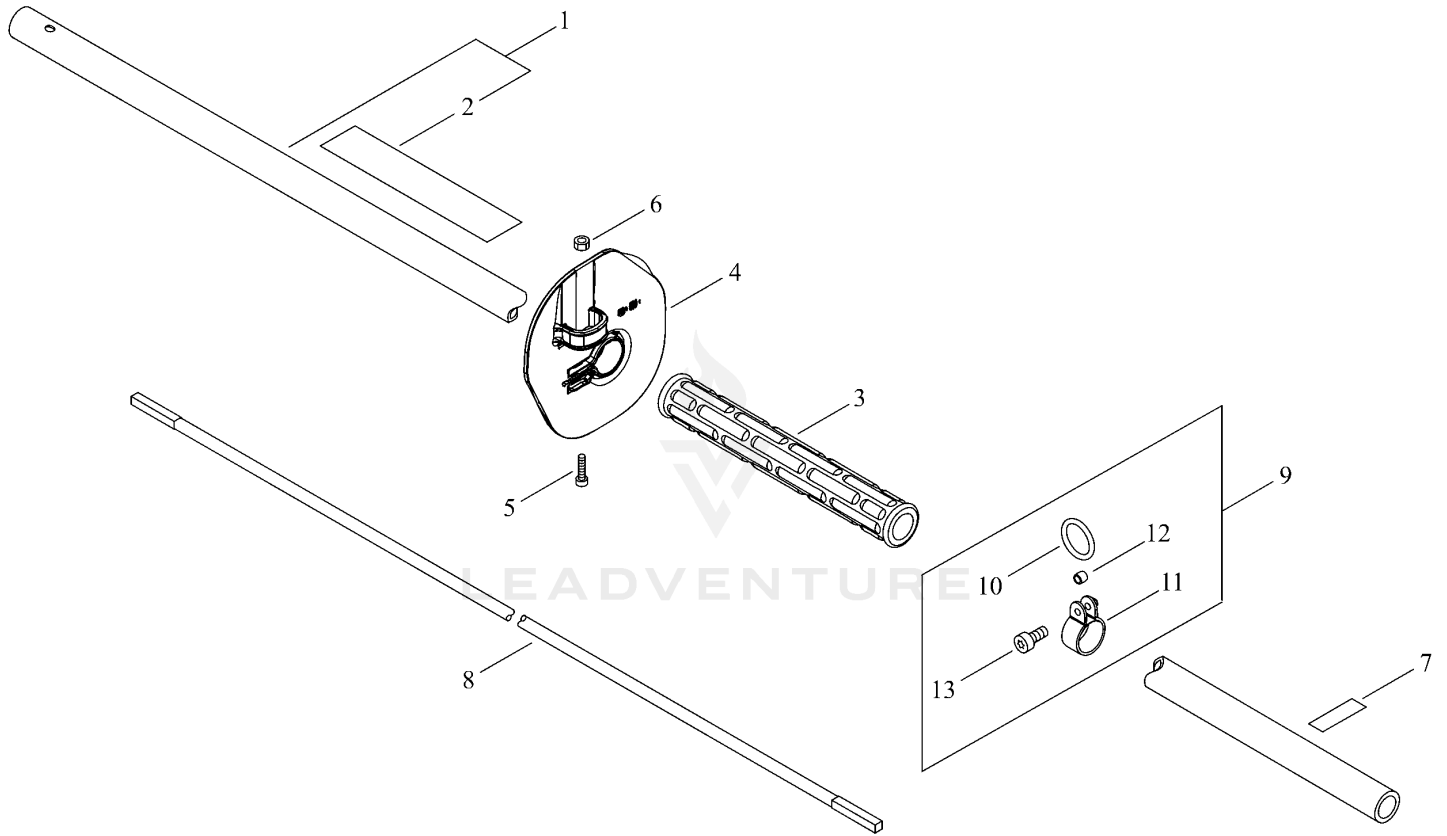


Rendered by LeadVenture, Inc.

CUTTING BLADE

Ref Number	Part Number	Part Description	Context Notes	Quantity
1	X041-000630	CUTTER,ASM		1
2	X411-001360	CUTTER		2
3	X425-001030	SUPPORT,CUTTER		1
4	X425-001040	SUPPORT,CUTTER		1
5	V150-004330	PLATE,EYE		1
6	V805-000170	BOLT, TORX 5		4
7	V353-000250	COLLAR		6
8	V303-000290	WASHER		4
9	V805-000180	BOLT, TORX 5		2
10	X431-000250	BLUNT		1
11	E278-000311	PROTECTOR		1
12	92108-05000	NUT, FLANGE		6
13	V805-000120	BOLT, TORX 5		1

MAIN PIPE

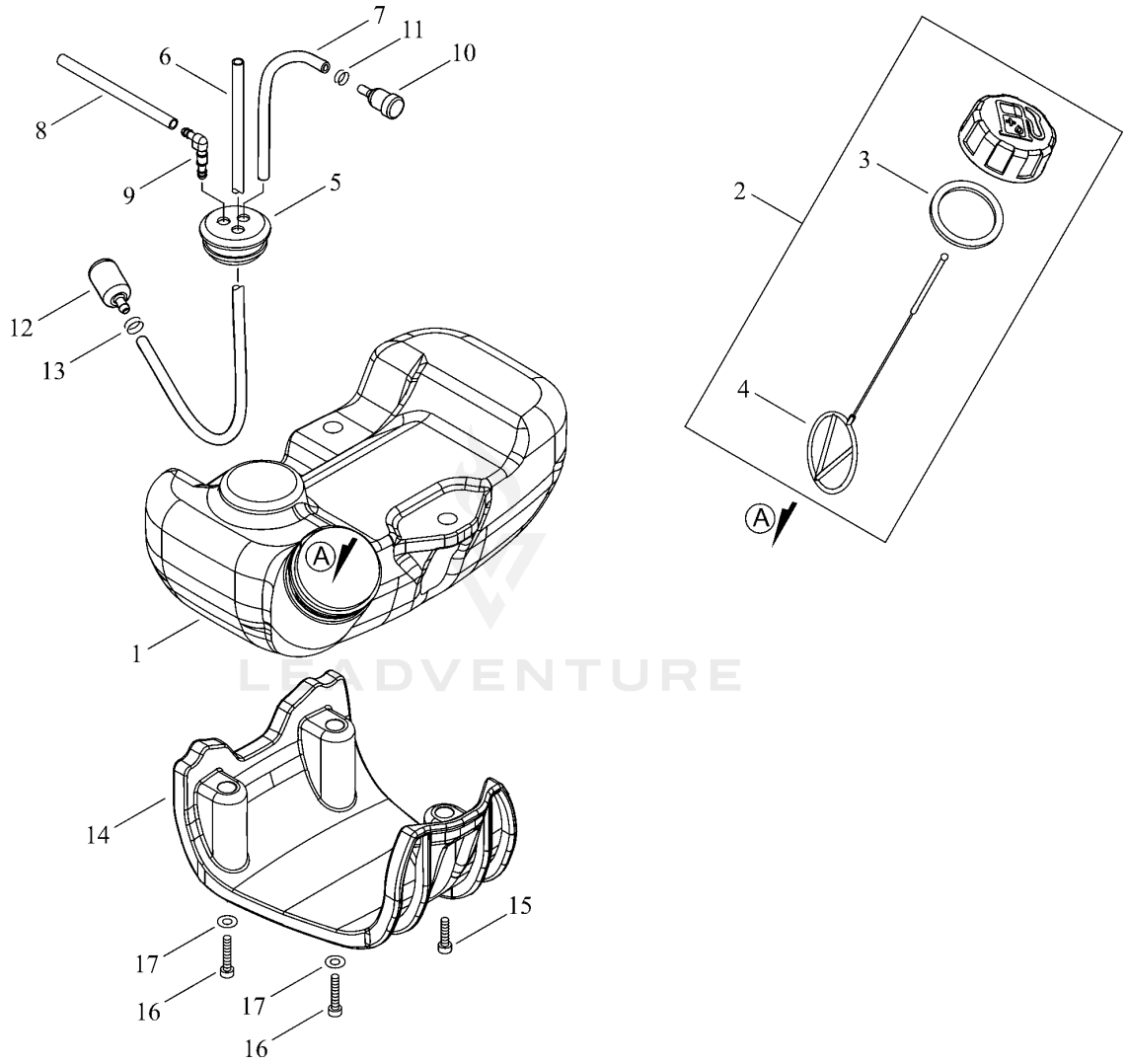


Rendered by LeadVenture, Inc.

MAIN PIPE

Ref Number	Part Number	Part Description	Context Notes	Quantity
1	P100-004090	MAIN PIPE ASY		1
2	890617-12361	LABEL, CAUTION		1
3	C403-000470	GRIP		1
4	C440-000022	GUARD,HAND		1
5	V805-000160	BOLT, TORX 5		1
6	900500-00005	NUT		1
7	890152-04930	LABEL, CAUTION		1
8	C506-000470	SHAFT, FLEXIBLE		1
9	P100-005360	HOOK ASY		1
10	301016-52730	RING,HARNESS		1
11	301207-08930	HOOK		1
12	699012-03330	SPACER		1
13	V805-000150	BOLT, TORX 5		1

FUEL TANK

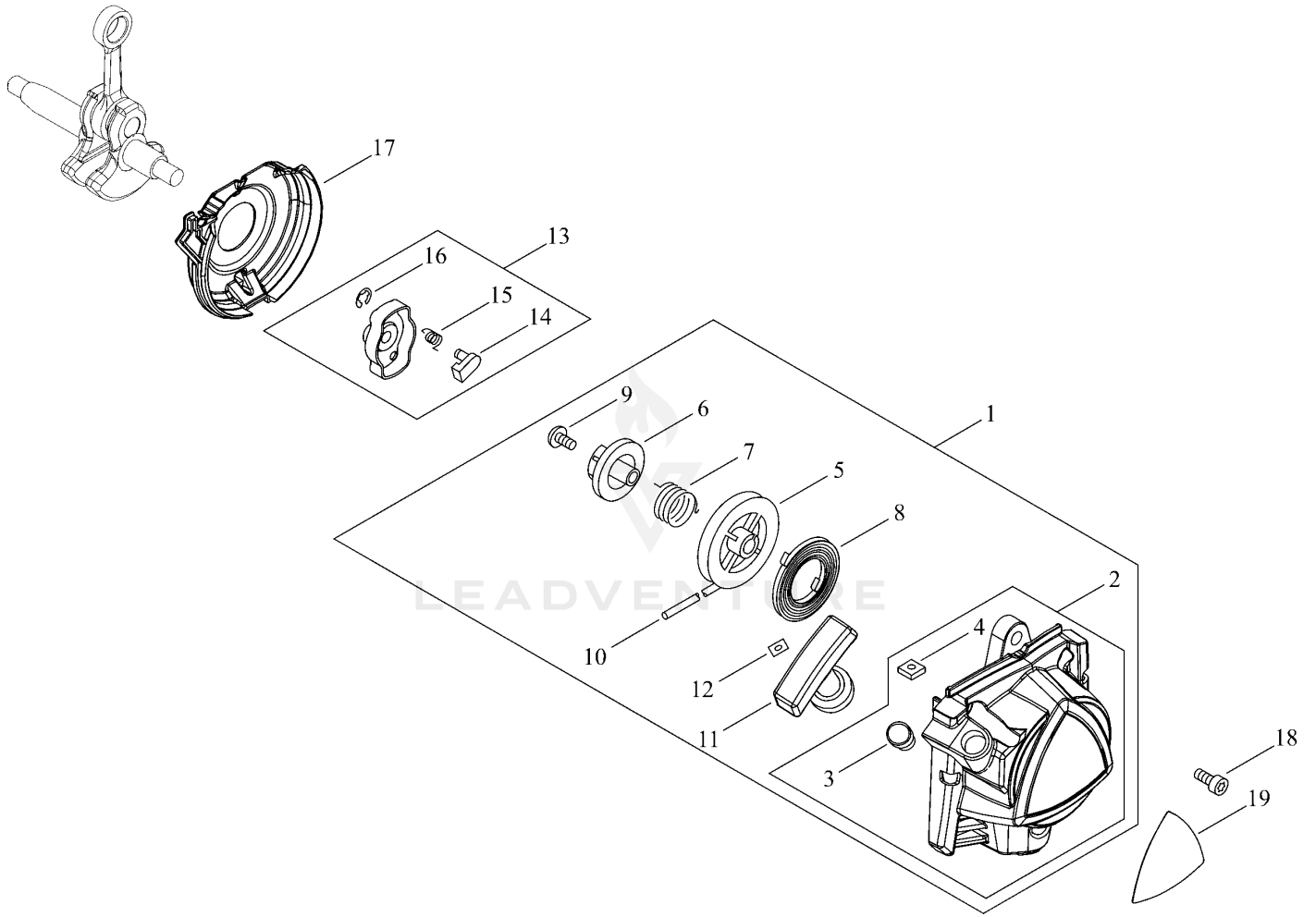


Rendered by LeadVenture, Inc.

FUEL TANK

Ref Number	Part Number	Part Description	Context Notes	Quantity
1	A350-002350	TANK, FUEL		1
2	P021-012210	CAP,FUEL ASY		1
3	131016-55830	GASKET, FUEL CAP		1
4	A365-000060	CONNECTOR,CAP		1
5	132115-55930	GROMMET, FUEL		1
6	V471-001230	PIPE		1
7	132010-06530	PIPE 3*6* 85		1
8	132012-56030	PIPE		1
9	V186-000500	JOINT,PIPE		1
10	A356-000031	VALVE,CHECK		1
11	V490-001230	CLIP		1
12	A369-000470	STRAINER, FUEL		1
13	V490-001240	CLIP		1
14	A175-000040	STAND		1
15	V805-000160	BOLT, TORX 5		1
16	V805-000170	BOLT, TORX 5		2
17	900602-00005	WASHER		2

RECOIL STARTER, PULLY

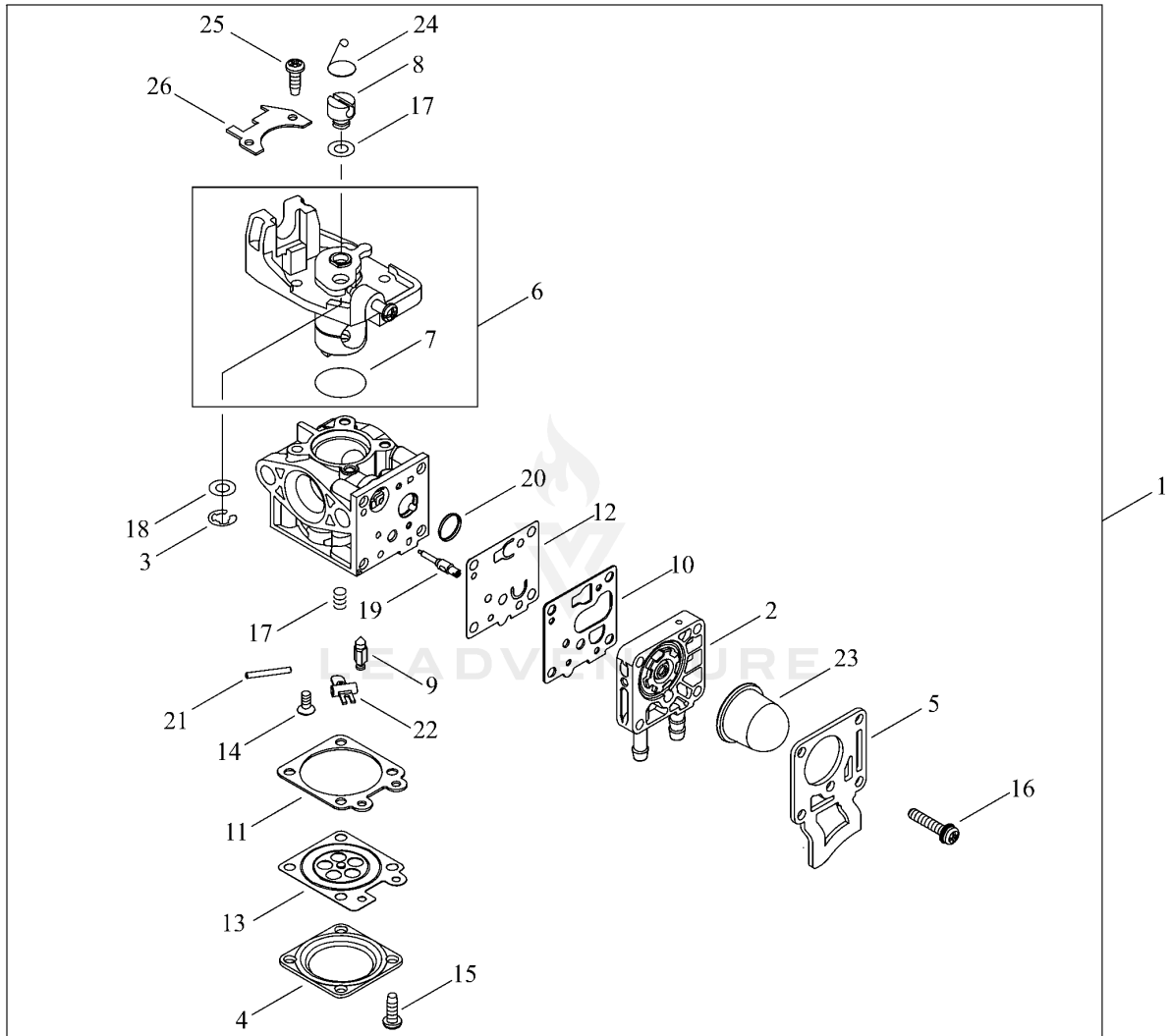


Rendered by LeadVenture, Inc.

RECOIL STARTER, PULLY

Ref Number	Part Number	Part Description	Context Notes	Quantity
1	A051-003220	STARTER,RECOIL ASY		1
2	P022-043670	STATER CASE		1
3	P022-045770	GUIDE, ROPE		1
4	P022-022010	NUT		2
5	P022-033320	DRUM, STARTER		1
6	P022-033310	PLATE, CAM		1
7	P022-008270	SPRING,DAMPER		1
8	177220-40630	SPRING, REWIND		1
9	177236-61830	SCREW		1
10	P022-022110	ROPE, STARTER		1
11	177228-27030	GRIP, STARTER		1
12	P022-037670	STOPPER, ROPE		1
13	A052-000180	PULLEY,ASM STARTER		1
14	P022-006850	PAWL, STARTER		2
15	P022-006510	SPRING, RETURN		2
16	P022-002100	E-RING		2
17	A127-000470	COVER,DUST		1
18	V805-000140	BOLT, TORX 5		3
19	X547-003370	LABEL,ECHO		1

CARBURETOR



Rendered by LeadVenture, Inc.

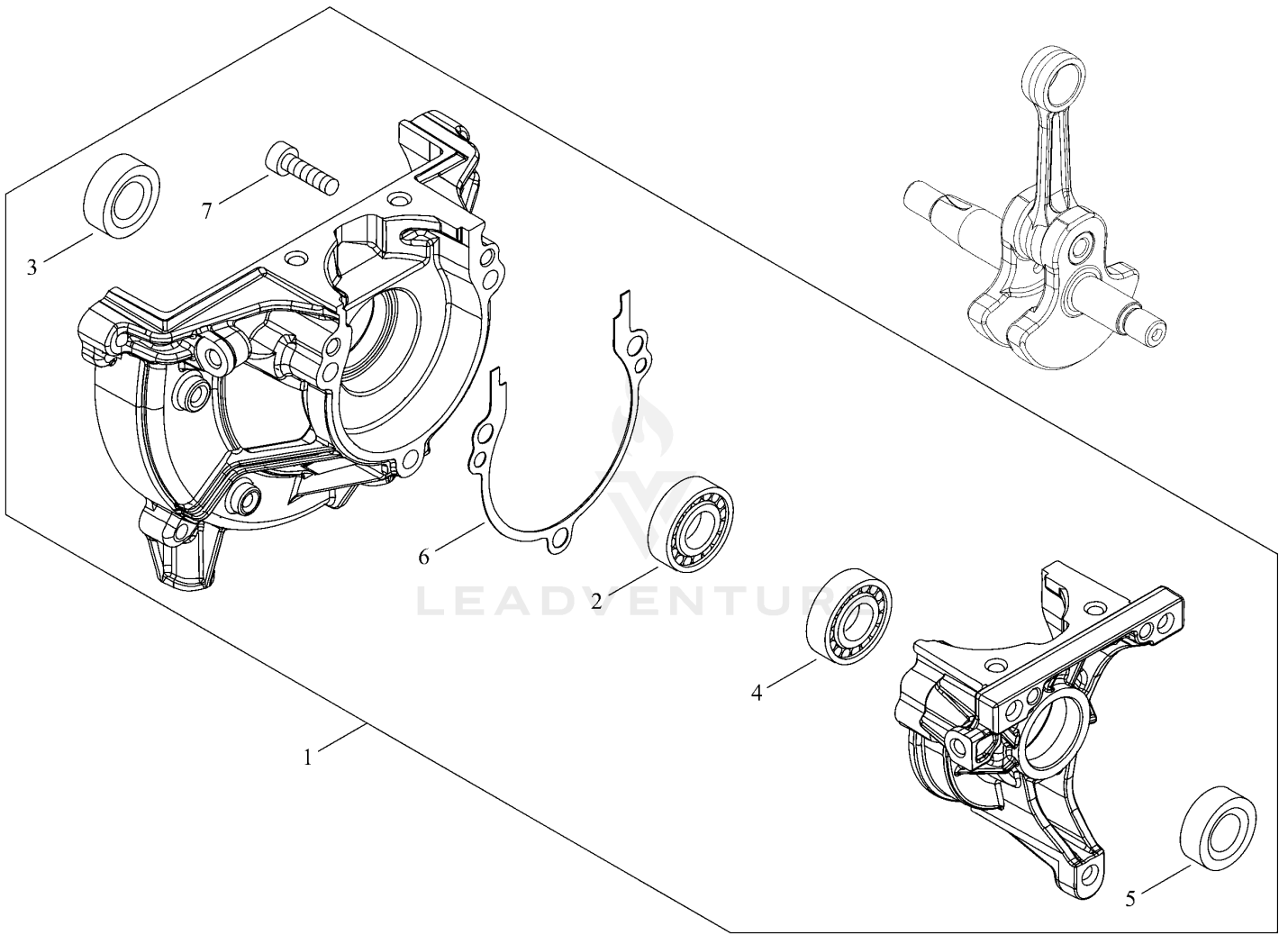
CARBURETOR

Ref Number	Part Number	Part Description	Context Notes	Quantity
1	A021-004601	CARBURETOR,DIAPHRAGM		1
2	P003-006120	BODY ASSEMBLY, PUMP		1
3	123173-07930	CLIP		1
4	123142-03930	COVER, M. DIAPHRAGM		1
5	P003-006500	COVER, FUEL PUMP		1
6	P003-006140	VALVE, THROTTLE		1
7	P003-004480	O-RING		1
8	P003-005850	SWIVEL		1
9	123137-19830	VALVE, INLET NEEDLE		1
10	P003-004530	GASKET, FUEL PUMP		1
11	123140-27230	GASKET,M. DIAPHRAGM		1
12	P003-004540	DIAPHRAGM, FUEL PUMP		1
13	P003-001670	DIAPHRAGM, METERING		1
14	P003-005860	SCREW		1
15	P003-004560	SCREW		4
16	P003-004570	SCREW		4
17	P003-005870	SPRING		1
18	P003-001710	WASHER		2
19	P003-005880	NEEDLE		1
20	123126-10631	SCREEN, INLET		1
21	123138-03930	PIN, METERING LEVER		1
22	P003-001630	LEVER, METERING		1
23	123181-09560	PUMP, PRIMER		1
24	P003-005890	CLIP		1
25	123114-40630	SCREW		3
26	P003-005900	PLATE		1

AIR CLEANER, CARBURETOR

Ref Number	Part Number	Part Description	Context Notes	Quantity
1	A202-000300	BELLOWS, INTAKE		1
2	A206-000040	HOLDER, BELLOWS		1
3	V253-001020	SCREW,5		2
4	A209-001010	PLATE, INSULATOR		1
5	V805-000150	BOLT, TORX 5		2
6	V855-000000	BOLT, TORX 5		1
7	A209-001000	PLATE, INSULATOR		1
8	V103-001890	GASKET,INTAKE		1
9	A021-004600	CARBURETOR,DIAPHRAGM		1
10	V103-001900	GASKET,INTAKE		1
11	P021-050880	CLEANER CASE ASY		1
12	A244-000370	PLATE,PREVENT		1
13	V805-000340	BOLT, TORX 5		2
14	P100-003601	CLEANER COVER ASY		1
15	V299-000640	KNOB,FASTENER		2
20V	V340-000210	WASHER		2
16	890332-52730	LABEL, CHOKE		1
17	A227-000050	PLATE, ELEMENT		1
18	A226-002030	ELEMENT, AIR FILTER		1
19	A226-002040	ELEMENT, AIR FILTER		1

CRANKCASE

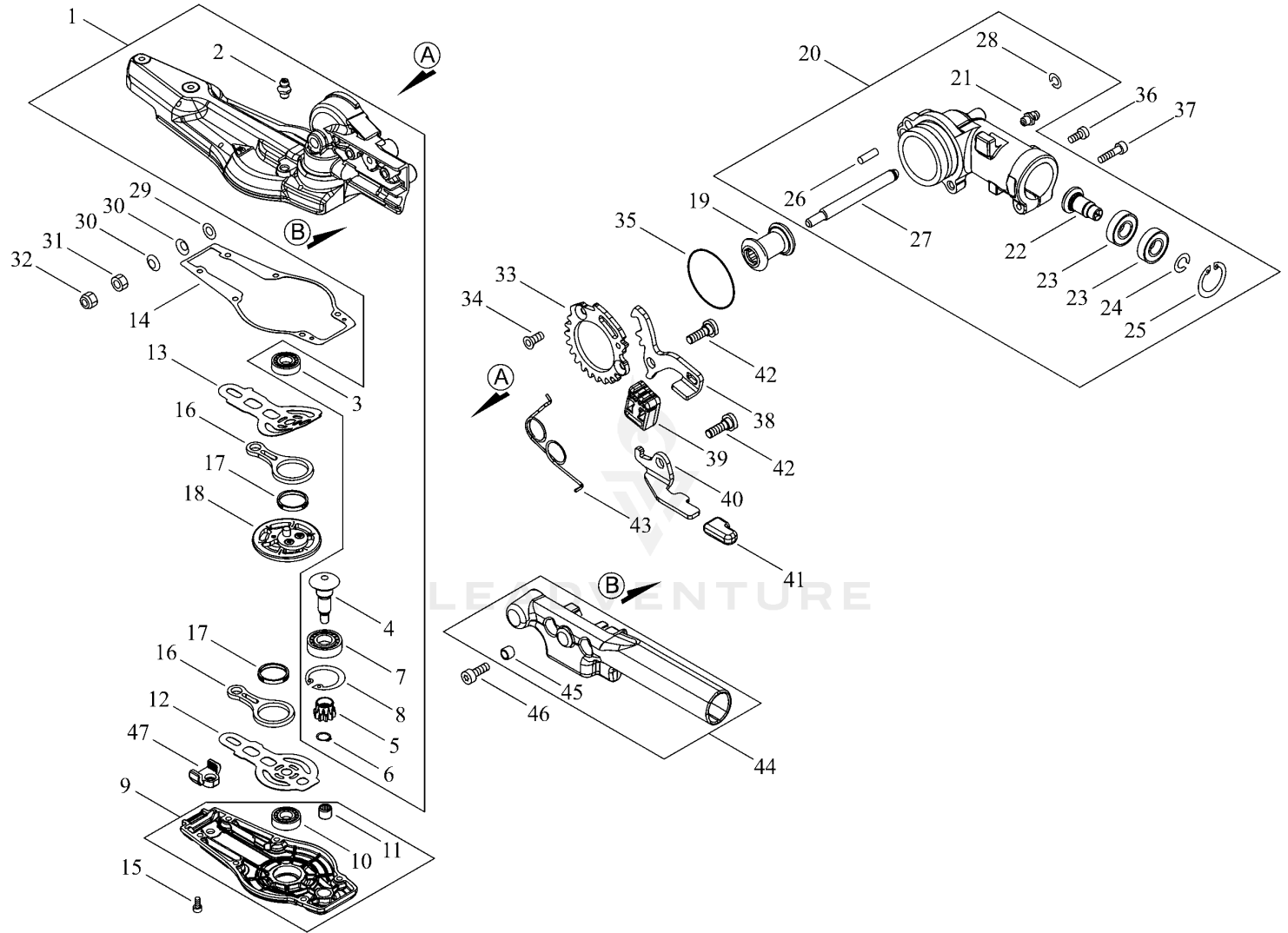


Rendered by LeadVenture, Inc.

CRANKCASE

Ref Number	Part Number	Part Description	Context Notes	Quantity
1	P021-050850	CRANKCASE KIT		1
2	900800-36001	BEARING, BALL		1
3	100212-42031	OILSEAL		1
4	900810-36000	BEARING, BALL		1
5	V503-000040	SEAL,OIL 10		1
6	V102-000300	GASKET,CRANKCASE		1
7	V805-000220	BOLT, TORX 5		3

GEAR CASE



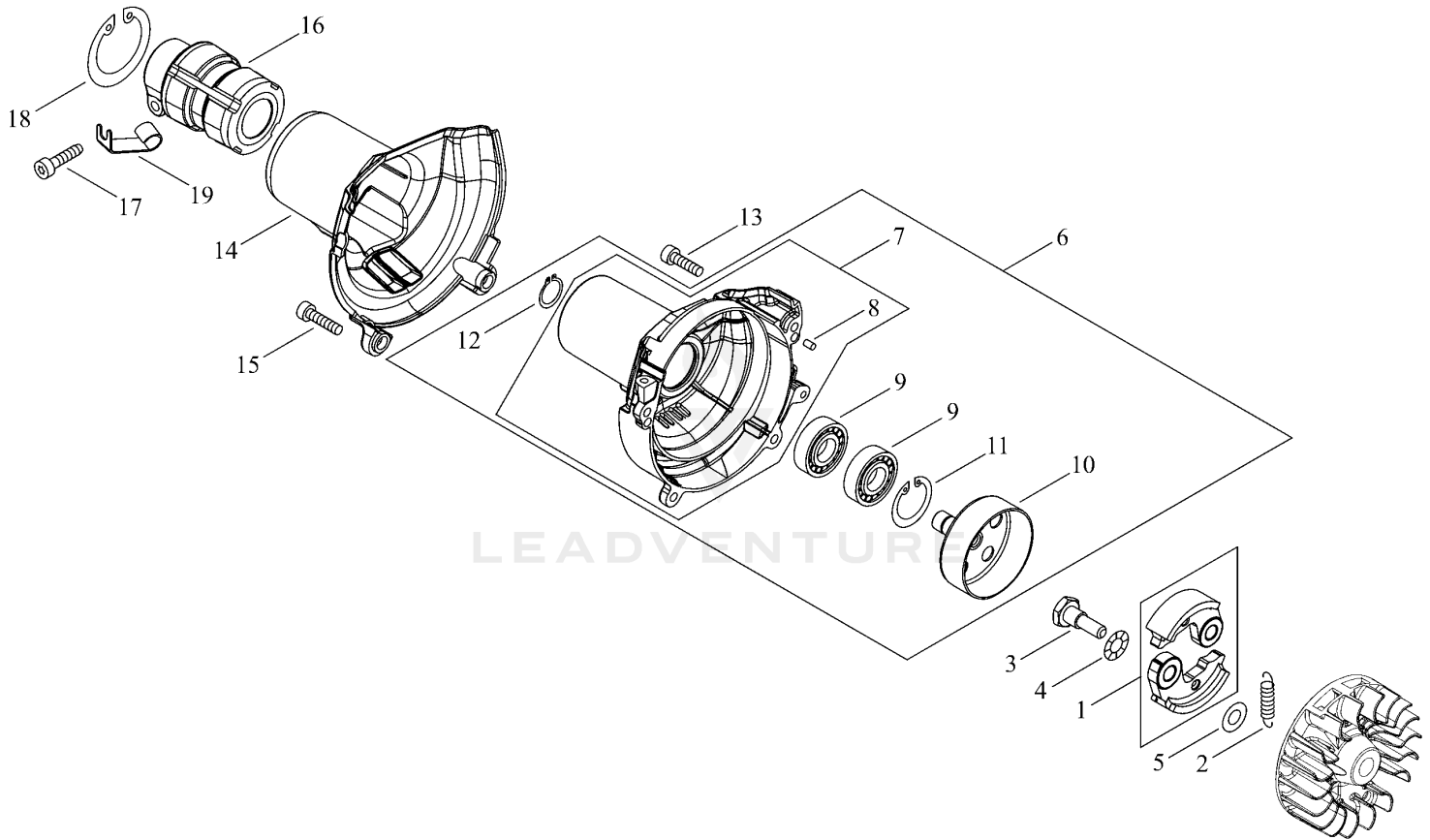
Rendered by LeadVenture, Inc.

GEAR CASE

Ref Number	Part Number	Part Description	Context Notes	Quantity
1	P100-003620	CASE,GEAR ASY		1
2	V187-000080	GREASE NIPPLE		1
3	900800-00608	BEARING, BALL		1
4	V655-000110	SHAFT,PINION		1
5	V650-000730	GEAR,SPUR		1
6	900701-00008	RETAINING RING		1
7	900800-06001	BEARING, BALL		1
8	900702-00028	RETAINING RING		1
9	P100-003631	LID ASY, GEARCASE		1
10	900800-00608	BEARING, BALL		1
11	V551-000000	BEARING,NEEDLE 6		1
12	V150-004310	PLATE,EYE		1
13	V150-004320	PLATE,EYE		1
14	V110-000200	GASKET,GEAR CASE		1
15	V804-000050	BOLT, TORX 4		6
16	C532-000530	ROD, CONNECTING		2
17	V572-000000	BEARING, NEEDLE		2
18	V060-000130	GEAR,SPUR		1
19	P100-003640	GEAR,BEVEL		1
20	P100-005380	CASE,GEAR ASY		1
21	V187-000080	GREASE NIPPLE		1
22	V651-001100	GEAR,BEVEL		1
23	900857-06901	BEARING, BALL		2
24	900706-00012	RETAINING RING		1
25	900702-00024	RETAINING RING		1
26	V623-000120	PIN,STRAIGHT 5		1
27	C534-001100	SHAFT, GEAR		1
28	92411-08000	RETAINING RING		1
29	900603-00006	WASHER		1

Ref Number	Part Number	Part Description	Context Notes	Quantity
30	V347-000030	CONE WASHER		2
31	900502-00006	NUT		1
32	900560-00006	NUT, LOCK		1
33	C465-000040	RESETTER, LATCH		1
34	900175-05012	BOLT HSH		2
35	900724-00035	O-RING		1
36	V805-000130	BOLT, TORX 5		1
37	V805-000170	BOLT, TORX 5		1
38	C661-000210	LEVER, RELEASE		1
39	V494-001070	CAP		1
40	C661-000220	LEVER, RELEASE		1
41	V494-000891	CAP		1
42	V204-000580	BOLT,6		2
43	V452-001740	SPRING,TORSION		1
44	C403-000880	GRIP, HANDLE		1
45	131045-28230	COLLAR		2
46	V805-000150	BOLT, TORX 5		2
47	V541-000620	SEAL		1

CLUTCH

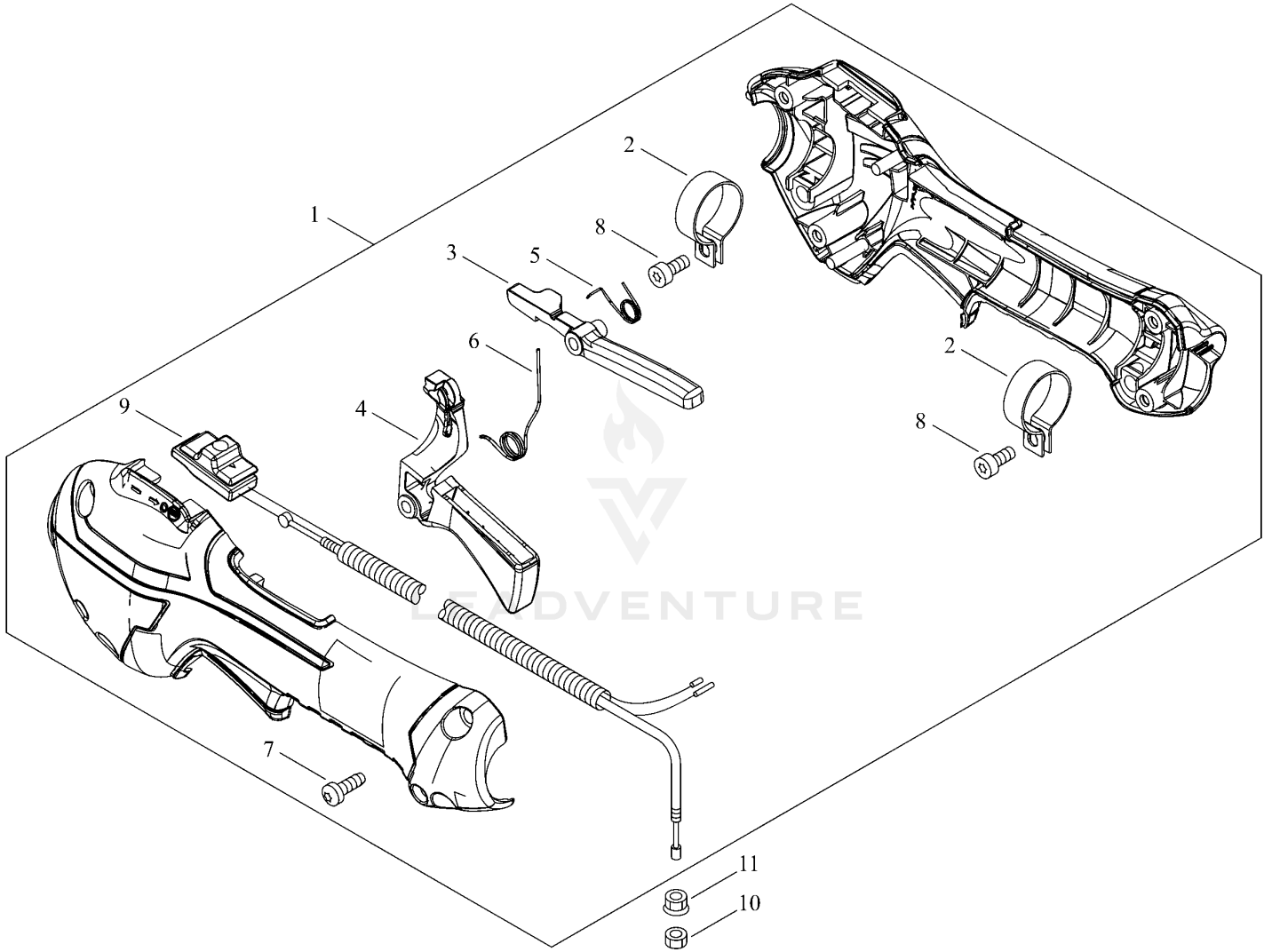


Rendered by LeadVenture, Inc.

CLUTCH

Ref Number	Part Number	Part Description	Context Notes	Quantity
1	P100-002270	ARM,CLUTCH SET		1
2	V451-001390	SPRING,TENSION		1
3	175046-56030	SHAFT, CLUTCH		2
4	175049-56030	WASHER		2
5	175048-05530	WASHER (I)		2
6	P100-005340	FAN COVER ASY		1
7	A172-003142	COVER,FAN		1
8	900330-40080	ROLLER		2
9	900807-06001	BEARING, BALL		2
10	A556-001760	DRUM,CLUTCH		1
11	900702-00028	RETAINING RING		1
12	900701-00012	RETAINING RING		1
13	V805-000150	BOLT, TORX 5		2
14	A413-000080	BOOT		1
15	V805-000160	BOLT, TORX 5		2
16	A575-000110	FIXTURE,MAIN PIPE		1
17	V805-000170	BOLT, TORX 5		1
18	900702-00042	RETAINING RING		1
19	V490-001520	CLIP		1

THROTTLE

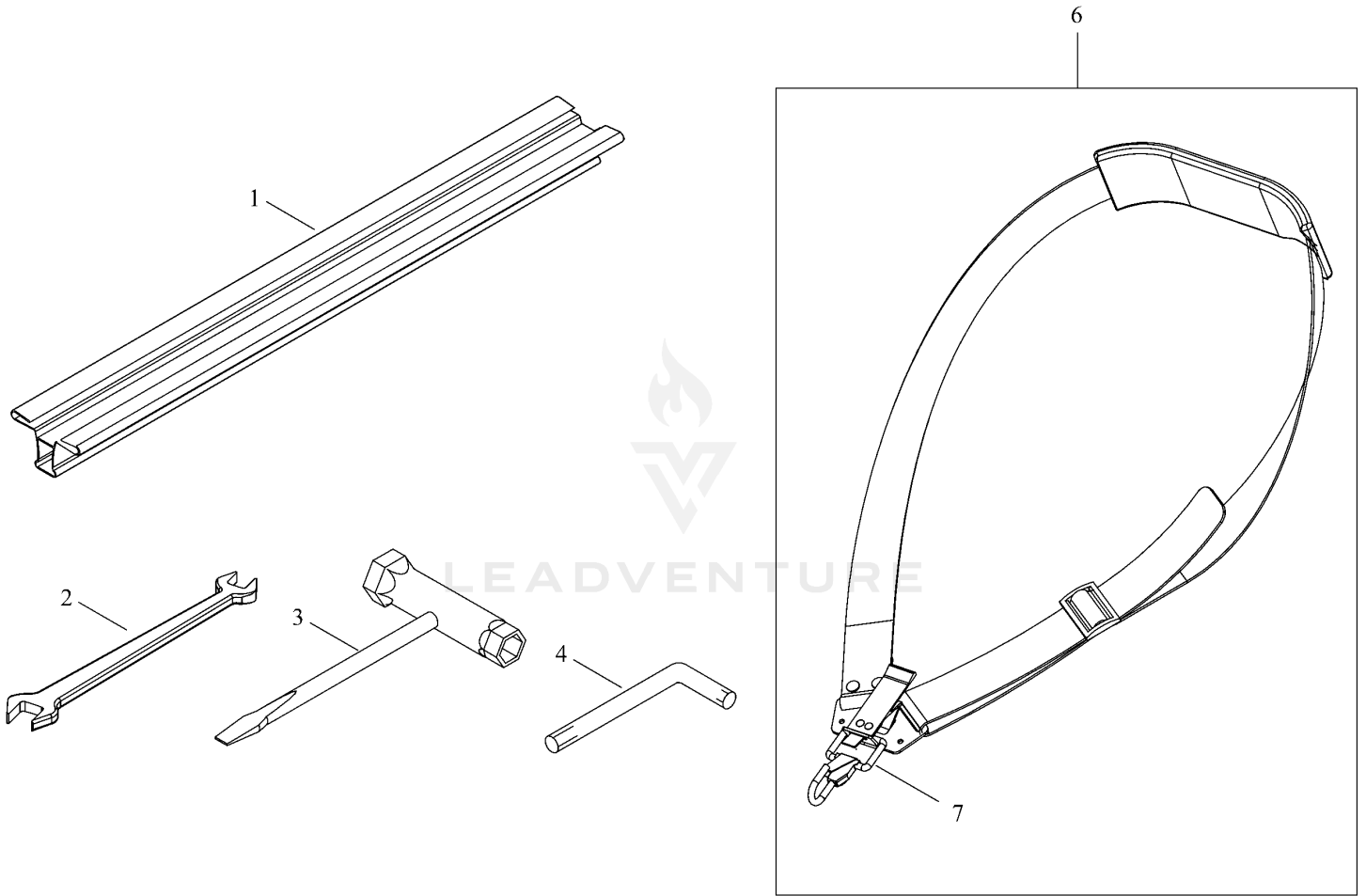


Rendered by LeadVenture, Inc.

THROTTLE

Ref Number	Part Number	Part Description	Context Notes	Quantity
1	P100-005370	THROTTLE ASY		1
2	V495-003020	BAND		2
3	C460-000441	LOCKOUT, THROTTLE		1
4	C453-000482	LEVER, THROTTLE		1
5	V452-001510	SPRING,TORSION		1
6	V452-001520	SPRING,TORSION		1
7	V805-000000	BOLT, TORX 5		4
8	V805-000150	BOLT, TORX 5		2
9	P100-002240	CABLE ASY, CONTROL		1
10	900502-00006	NUT		1
11	900518-00006	NUT, FLANGE		1

ACCESSORIES



Rendered by LeadVenture, Inc.

ACCESSORIES

Ref Number	Part Number	Part Description	Context Notes	Quantity
1	X495-000770	SCABBARD, BLADE		1
2	895112-00330	SPANNER 8*10		1
3	895415-66630	WRENCH, SPCKET		1
4	X605-000170	TOOL, L WRENCH		1
6	C062-000390	STRAP ASSY		1
7	C649-000200	HOOK		1