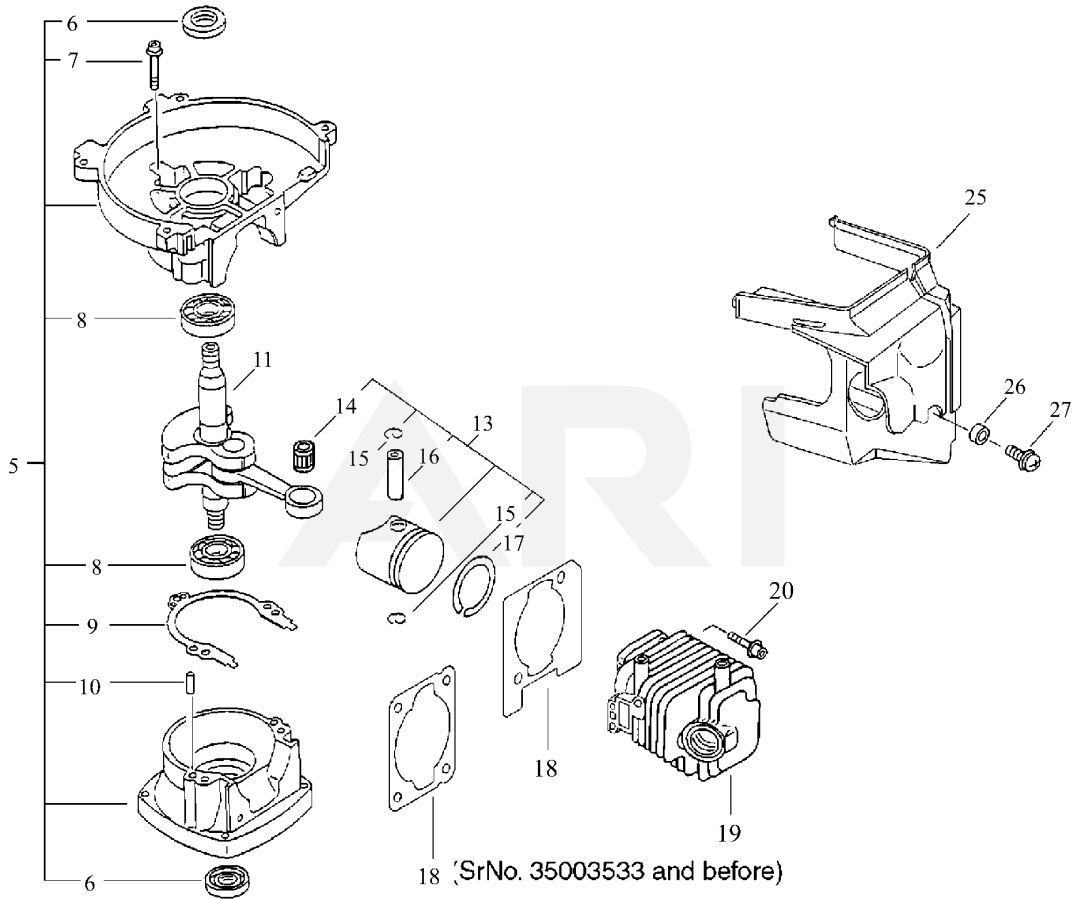


HC-30ESW\_36\_36000001

# TABLE OF CONTENTS

Cylinder, Crankcase, Piston(Sr/Nr 36002135 and before) .....	3
Gear Case, Cutter(Sr/Nr 36002136 and after) .....	5
AIR CLEANER, MUFFLER .....	8
FUEL TANK .....	11
BRAKE .....	13
Handle, Tools .....	16
Gear Case, Cutter(Sr/Nr 36002135 and before) .....	19
CARBURETOR .....	23
Cylinder, Crankcase, Piston(Sr/Nr 36002136 and after) .....	26
Starter, Magneto, Clutch(Sr/Nr 36002136 and after) .....	28
Starter, Magneto, Clutch(Sr/Nr 36002135 and before) .....	31

Cylinder, Crankcase, Piston(Sr/Nr 36002135 and before)

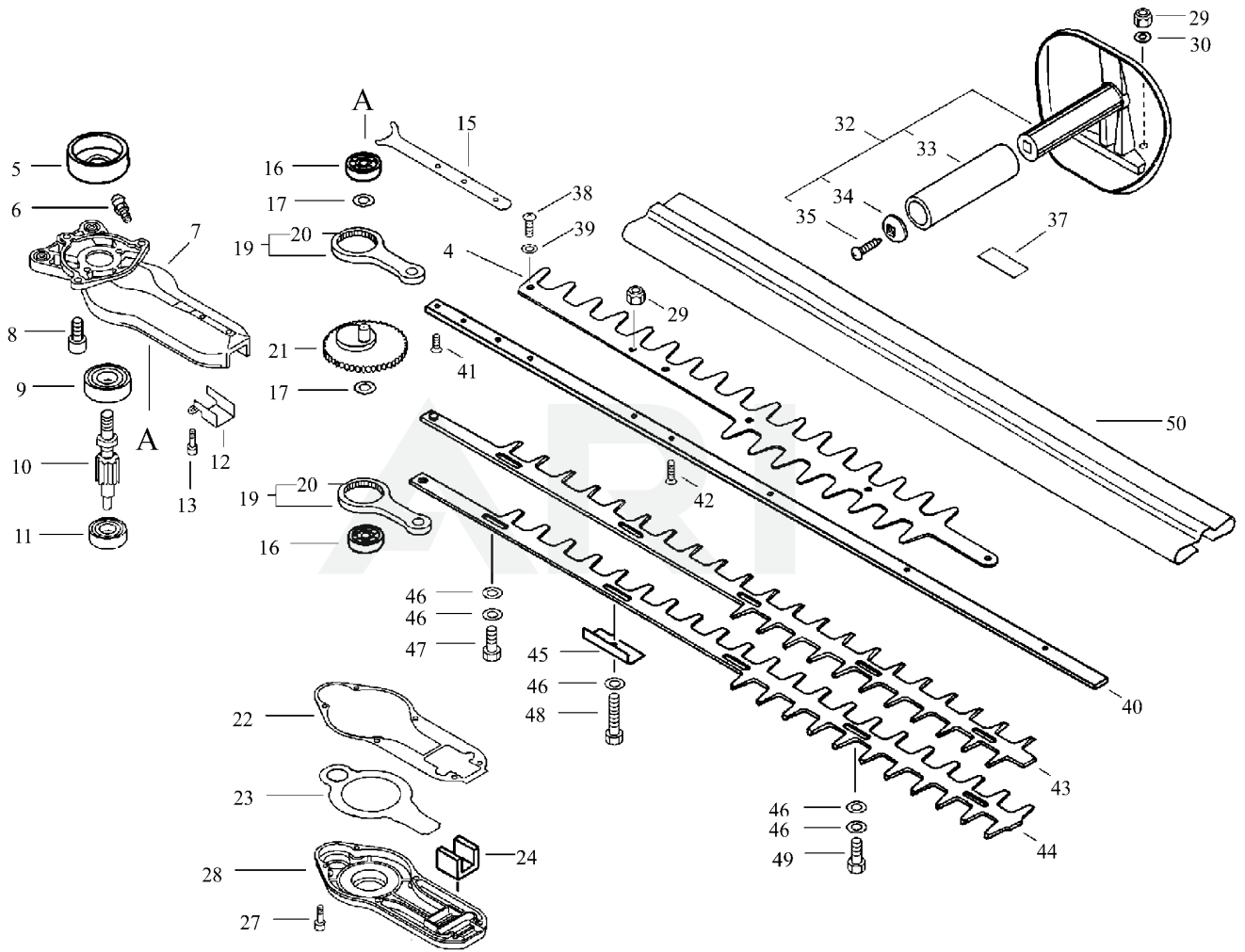


Rendered by ARI Network Services, Inc.

## Cylinder, Crankcase, Piston(Sr/Nr 36002135 and before)

<b>Ref Number</b>	<b>Part Number</b>	<b>Part Description</b>	<b>Context Notes</b>	<b>Quantity</b>
5	P021-003941	CRANK CASE SET	CRANK CASE SET	1
6	100212-61830	OILSEAL	OILSEAL	2
7	900162-05025	BOLT HSH	BOLT, H.S. 5*25	3
8	900810-36000	BEARING, BALL	BEARING, BALL	2
9	100242-61830	GASKET, CRANKCASE	GASKET, CRANKCASE	1
10	100215-03930	PIN, DOWEL	PIN, DOWEL	2
11	A011-000180	CRANKSHAFT,ASM	CRANKSHAFT,ASM	1
13	100000-61830	PISTON KIT	PISTON KIT	1
13	P021-008710	PISTON KIT	PISTON KIT	1
14	100012-61830	BEARING, NEEDLE	BEARING, NEEDLE	1
15	100015-61830	RING, SNAP	RING, SNAP	2
16	100013-61830	PIN, PISTON	PIN, PISTON	1
17	100011-05330	RING, PISTON	RING, PISTON	1
17	A101-000090	RING,PISTON	RING,PISTON	1
18	101010-61830	GASKET, CYL. BASE	GASKET, CYL. BASE	1
18	V100-000120	GASKET,CYL	GASKET,CYL	1
19	101011-61831	CYLINDER	CYLINDER	1
19	A130-000610	CYLINDER	CYLINDER	1
19	A130-000611	CYLINDER	CYLINDER	1
20	900162-05020	BOLT HSH	BOLT, H.S. 5*20	2
25	A160-000380	COVER,CYLINDER	COVER,CYLINDER	1
26	150117-16430	SPACER	SPACER	1
27	900239-05018	SCREW	SCREW 5*18	1

### Gear Case, Cutter(Sr/Nr 36002136 and after)



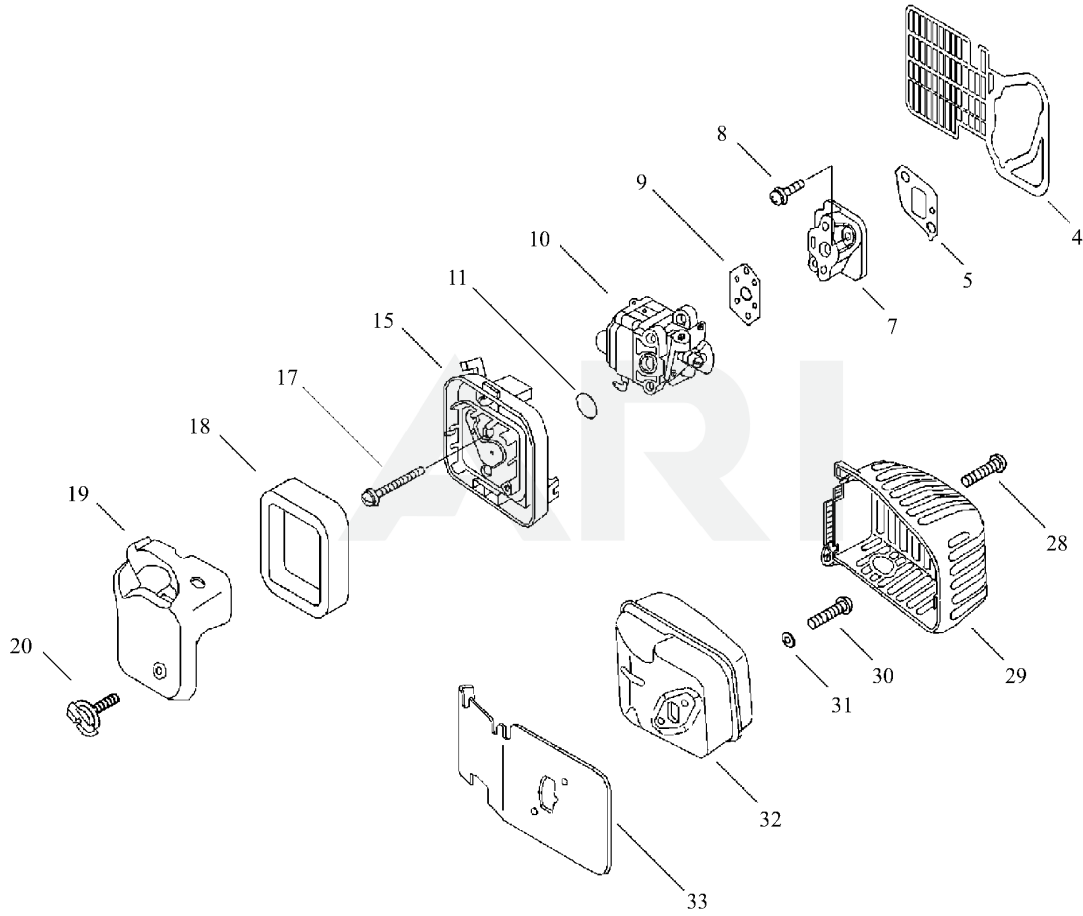
Rendered by ARI Network Services, Inc.

## Gear Case, Cutter(Sr/Nr 36002136 and after)

<b>Ref Number</b>	<b>Part Number</b>	<b>Part Description</b>	<b>Context Notes</b>	<b>Quantity</b>
4	X431-000011	BLUNT	BLUNT	1
5	A556-000301	DRUM,CLUTCH	DRUM,CLUTCH	1
6	880110-10860	NIPPLE, GREASE	NIPPLE, GREASE	1
7	C531-000270	CASE,GEAR	CASE,GEAR	1
8	900162-06018	BOLT, H.S.H	BOLT, H.S.H	3
9	900812-06200	BEARING, BALL	BEARING, BALL 6200	1
10	V650-000160	GEAR,SPUR	GEAR,SPUR	1
11	900804-00608	BEARING, BALL	BEARING, BALL 608	1
12	C538-000090	GUIDE,CUTTER	GUIDE,CUTTER	1
13	900162-04016	BOLT HSH	BOLT, H.S. 4*16	2
15	V150-001240	PLATE,EYE	PLATE,EYE	1
16	900810-06200	BEARING, BALL	BEARING, BALL 6200	2
17	100014-17330	SPACER, PISTON PIN	SPACER, PISTON PIN	2
19	P021-008400	ROD,CONNECTING	ROD,CONNECTING	2
20	610327-01261	BEARING, NEEDLE	BEARING, NEEDLE	2
21	V060-000030	GEAR,SPUR	GEAR,SPUR	1
22	V110-000030	GASKET,GEAR CASE	GASKET,GEAR CASE	1
23	C542-000020	PLATE,CASE LID	PLATE,CASE LID	1
24	V541-000100	SEAL	SEAL	1
27	900162-04016	BOLT HSH	BOLT, H.S. 4*16	6
28	C531-000280	CASE,GEAR	CASE,GEAR	1
29	433022-06460	NUT	NUT	6
30	900603-00006	WASHER	WASHER 6	2

<b>Ref Number</b>	<b>Part Number</b>	<b>Part Description</b>	<b>Context Notes</b>	<b>Quantity</b>
31	X502-000270	LABEL,ECHO	LABEL,ECHO	1
32	351200-07363	HANDLE ASY	HANDLE ASY	1
33	351012-07361	GRIP, REAR HANDLE	GRIP, REAR HANDLE	1
34	351217-07361	SUPPORTER, F. HANDLE	SUPPORTER, F. HANDLE	1
35	900253-05014	SCREW, TAPPING	SCREW 5*14	1
37	X505-002030	LABEL,CAUTION	LABEL,CAUTION	1
38	900238-05010	SCREW	SCREW 5*10	1
39	145712-14730	WASHER	WASHER	1
40	X425-000161	SUPPORT,CUTTER	SUPPORT,CUTTER	1
41	91103-06020	BOLT HSH	BOLT HSH	2
42	91103-06030	BOLT HSH	BOLT HSH	1
43	697010-07362	CUTTER	CUTTER	1
44	697011-07362	CUTTER	CUTTER	1
45	699213-02063	INSULATOR	INSULATOR	1
46	699118-01261	WASHER	WASHER	9
47	699115-08960	BOLT, CUTTER	BOLT, CUTTER	1
48	351027-02060	BOLT	BOLT	1
49	699115-02062	BOLT	BOLT	3
50	898523-05160	COVER, CUTTER	COVER, CUTTER	1

# AIR CLEANER, MUFFLER



Rendered by ARI Network Services, Inc.

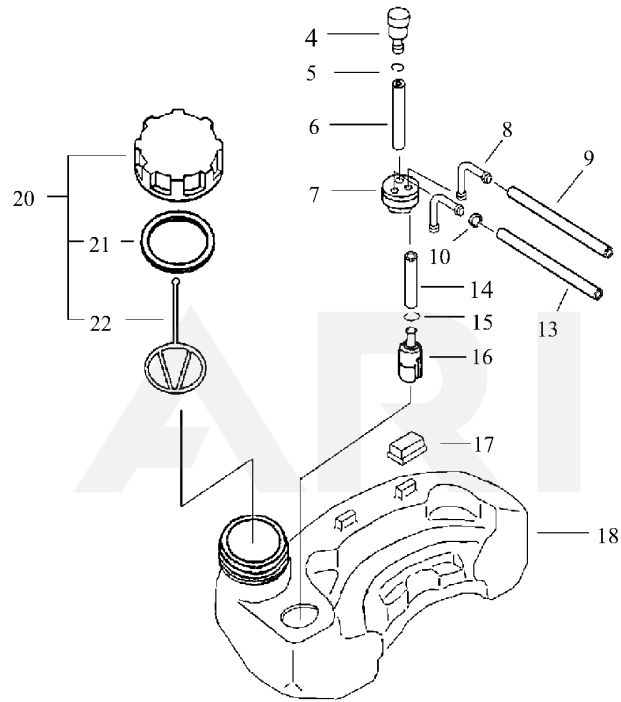


## AIR CLEANER, MUFFLER

<b>Ref Number</b>	<b>Part Number</b>	<b>Part Description</b>	<b>Context Notes</b>	<b>Quantity</b>
4	A128-000010	PLATE,DUST	PLATE,DUST	1
5	130010-61830	GASKET, INTAKE	GASKET, INTAKE	1
7	A200-000080	INSULATOR,INTAKE	INSULATOR,INTAKE	1
8	900238-05020	SCREW	SCREW 5*20	2
9	130010-44431	GASKET, INTAKE	GASKET, INTAKE	1
10	A021-000690	CARBURETOR,DIAPHRAGM	CARBURETOR,DIAPHRAGM	1
10	A021-000691	CARBURETOR,DIAPHRAGM	CARBURETOR,DIAPHRAGM	1
11	900720-00015	O-RING	O-RING 15	1
15	P021-006130	CASE, AIR CLEANER	CASE, AIR CLEANER	1
17	900242-05050	SCREW	SCREW 5*50	2
18	A226-000130	ELEMENT,AIR FILTER	ELEMENT,AIR FILTER	1
19	A232-000130	LID,CLEANER	LID,CLEANER	1
20	V299-000190	KNOB,FASTENER	KNOB,FASTENER	1
28	900239-05016	SCREW	SCREW 5*16	1
29	A320-000121	COVER,MUFFLER	COVER,MUFFLER	1
30	900105-05050	BOLT HSH	BOLT, H.S. 5*50	2
31	900600-00005	WASHER	WASHER 5	2
32	A300-000300	MUFFLER,EXHAUST	MUFFLER,EXHAUST	1
32	P021-008700	MUFFLER ASY	MUFFLER ASY	1

<b>Ref Number</b>	<b>Part Number</b>	<b>Part Description</b>	<b>Context Notes</b>	<b>Quantity</b>
33	145510-61831	GASKET, MUFFLER	GASKET, MUFFLER	1
33	145510-61832	GASKET, MUFFLER	GASKET, MUFFLER	1

# FUEL TANK

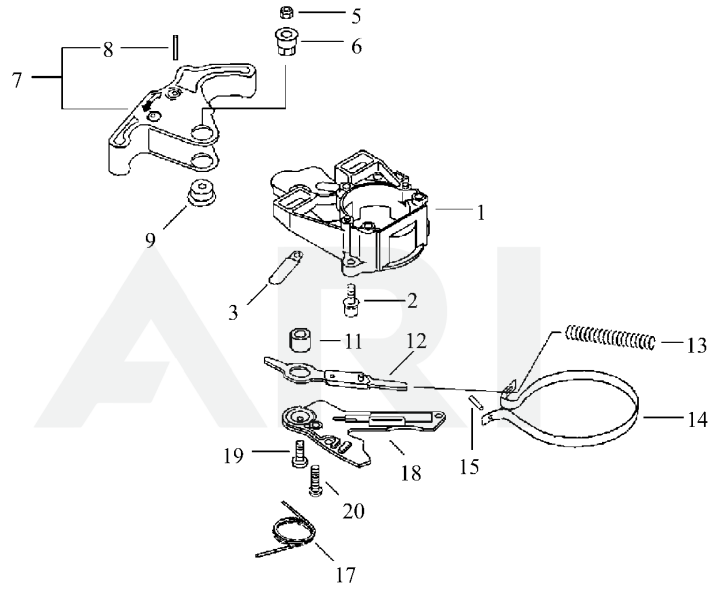


Rendered by ARI Network Services, Inc.

## FUEL TANK

<b>Ref Number</b>	<b>Part Number</b>	<b>Part Description</b>	<b>Context Notes</b>	<b>Quantity</b>
4	131300-56430	VALVE, CHECK	VALVE, CHECK	1
5	132013-26630	CLIP	CLIP	1
6	132012-11960	PIPE 3* 6* 45	PIPE 3* 6* 45	1
7	132115-55930	GROMMET, FUEL	GROMMET, FUEL	1
8	V186-000080	JOINT,PIPE	JOINT,PIPE	2
9	130110-54430	PIPE, IMPULSE	PIPE, IMPULSE	1
10	132013-26630	CLIP	CLIP	1
13	V471-000630	PIPE	PIPE	1
14	132010-52830	PIPE	PIPE	1
15	132013-09820	CLIP	CLIP	1
16	131205-19830	STRAINER, FUEL	STRAINER, FUEL	1
17	131920-55430	CUSHION, FUEL TANK	CUSHION, FUEL TANK	4
18	A350-000191	TANK,FUEL	TANK,FUEL	1
20	131004-55530	CAP ASSY, FUEL TANK	CAP ASSY, FUEL TANK	1
21	131016-55830	GASKET, FUEL CAP	GASKET, FUEL CAP	1
22	131051-56030	CLIP, FUEL CAP	CLIP, FUEL CAP	1

BRAKE



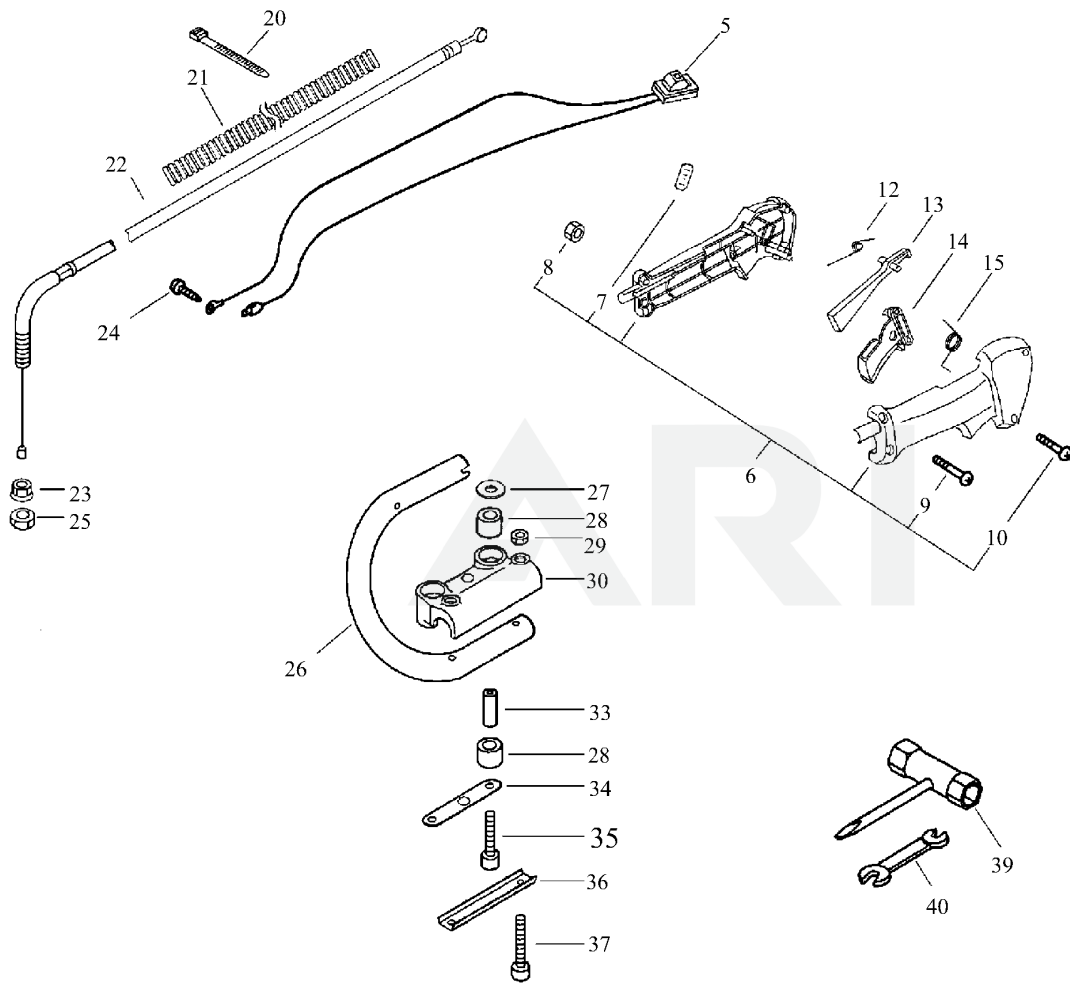
Rendered by ARI Network Services, Inc.

## BRAKE

Ref Number	Part Number	Part Description	Context Notes	Quantity
1	A570-000110	CASE,CLUTCH	CASE,CLUTCH	1
1	A570-000111	CASE,CLUTCH	CASE,CLUTCH	1
2	900238-05016	SCREW	SCREW 5*16	3
3	159116-21231	CLAMP	CLAMP	1
5	900560-00005	NUT, LOCK	NUT, LOCK 5	1
6	V353-000060	COLLAR,5	COLLAR,5	1
7	P021-006410	LEVER, BRAKE	LEVER, BRAKE	1
8	900330-30240	ROLLER	PIN 3*24	2
9	433167-39130	SPACER	SPACER	1
11	433116-35430	SPACER 8	SPACER 8	1
12	C334-000040	CONNECTOR,BRAKE	CONNECTOR,BRAKE	1
12	C334-000041	CONNECTOR,BRAKE	CONNECTOR,BRAKE	1
13	V450-000380	SPRING,COMPRESSION	SPRING,COMPRESSION	1
14	C328-000040	BAND,BRAKE	BAND,BRAKE	1
15	93050-30098	ROLLER	ROLLER	1
17	V452-000180	SPRING,TORSION	SPRING,TORSION	1
18	C345-000131	COVER,BRAKE	COVER,BRAKE	1
19	91335-04010	SCREW	SCREW	3
19	900220-04010	SCREW 4*10	SCREW 4*10	3

<b>Ref Number</b>	<b>Part Number</b>	<b>Part Description</b>	<b>Context Notes</b>	<b>Quantity</b>
20	900209-05030	SCREW	SCREW, 5*30	1

# Handle, Tools



Rendered by ARI Network Services, Inc.

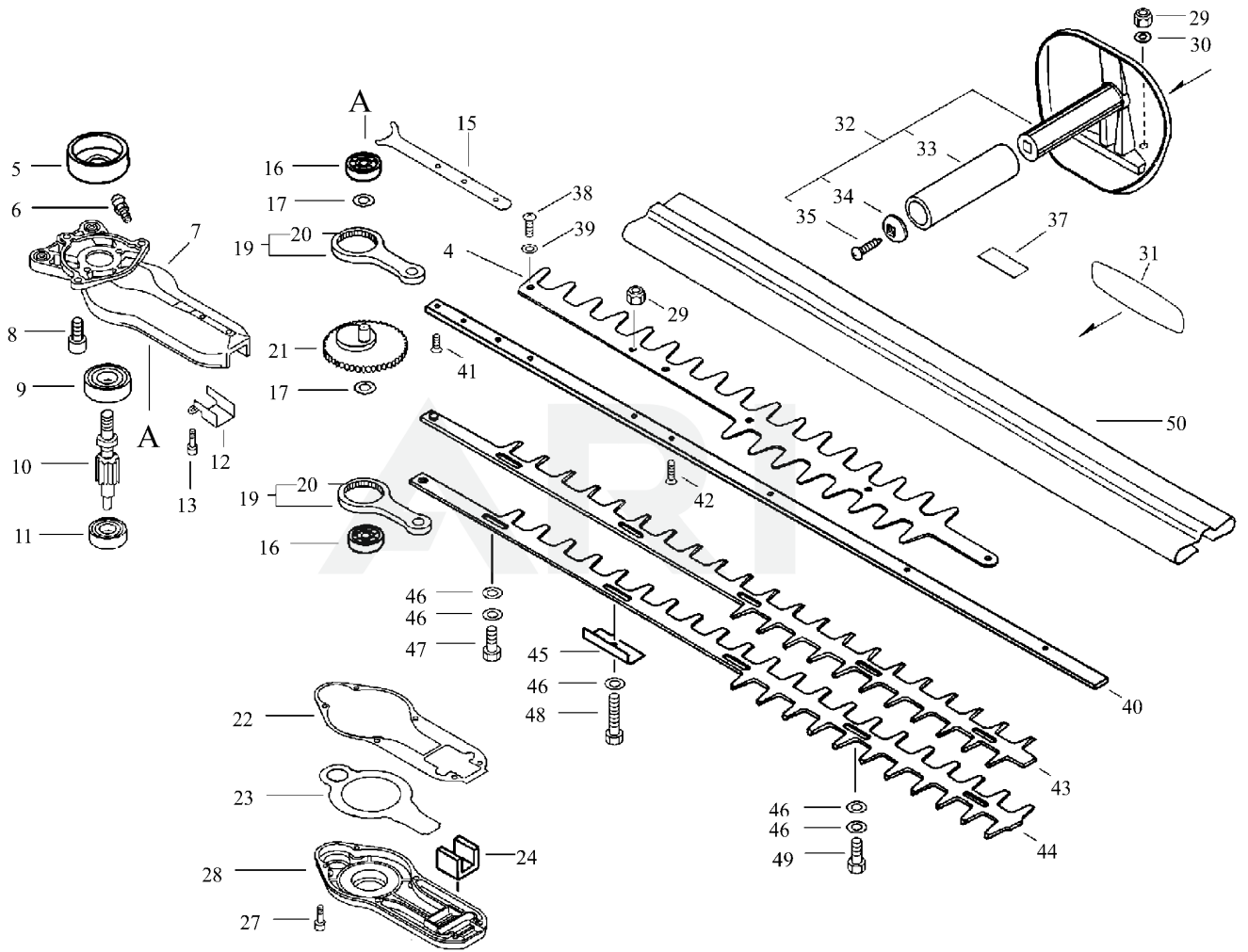


## Handle, Tools

<b>Ref Number</b>	<b>Part Number</b>	<b>Part Description</b>	<b>Context Notes</b>	<b>Quantity</b>
5	A440-000460	SWITCH,ON OFF	SWITCH,ON OFF	1
6	P021-002612	GRIP ASY,F-HANDLE	GRIP ASY,F-HANDLE	1
7	V162-000130	PLUG	PLUG	1
8	900500-00005	NUT	NUT 5	1
9	900220-05030	SCREW	SCREW 5*30	1
10	900253-04016	SCREW, TAPPING	SCREW 4*16	3
12	V452-000050	SPRING,TORSION	SPRING,TORSION	1
13	C460-000011	LOCKOUT,THROTTLE	LOCKOUT,THROTTLE	1
14	C450-000022	TRIGGER,THROTTLE	TRIGGER,THROTTLE	1
15	V452-000060	SPRING,TORSION	SPRING,TORSION	1
20	V495-000300	BAND	BAND	1
20	178121-43230	BAND	BAND	1
21	162110-56530	TUBE	TUBE	1
22	V430-000980	CABLE,BOWDEN	CABLE,BOWDEN	1
23	900502-00006	NUT	NUT 6 (3N)	2
23	900515-00006	NUT, FLANGE	NUT, FLANGE 6	1
23	900518-00006	NUT, FLANGE	NUT, FLANGE	1
24	900238-05010	SCREW	SCREW 5*10	1
25	900502-00006	NUT	NUT 6 (3N)	1
26	C410-000170	HANDLE,REAR	HANDLE,REAR	1
27	300217-00610	WASHER	WASHER	2
28	351228-07760	CUSHION	CUSHION	4

<b>Ref Number</b>	<b>Part Number</b>	<b>Part Description</b>	<b>Context Notes</b>	<b>Quantity</b>
29	900500-00005	NUT	NUT 5	2
30	351217-07761	SUPPORTER, HANDLE	SUPPORTER, HANDLE	1
33	351241-01260	SPASER	SPASER	2
34	351242-06961	PLATE, EYE	PLATE, EYE	1
35	900162-05045	BOLT, H.S. 5*45	BOLT, H.S. 5*45	2
36	351243-01260	BRACKET	BRACKET	1
37	900162-05035	BOLT HSH	BOLT, H.S. 5*35	2
39	895410-00430	WRENCH, W/S. DRIVER	WRENCH, W/S. DRIVER	1
40	895112-00330	SPANNER 8*10	SPANNER 8*10	1

Gear Case, Cutter(Sr/Nr 36002135 and before)



Rendered by ARI Network Services, Inc.

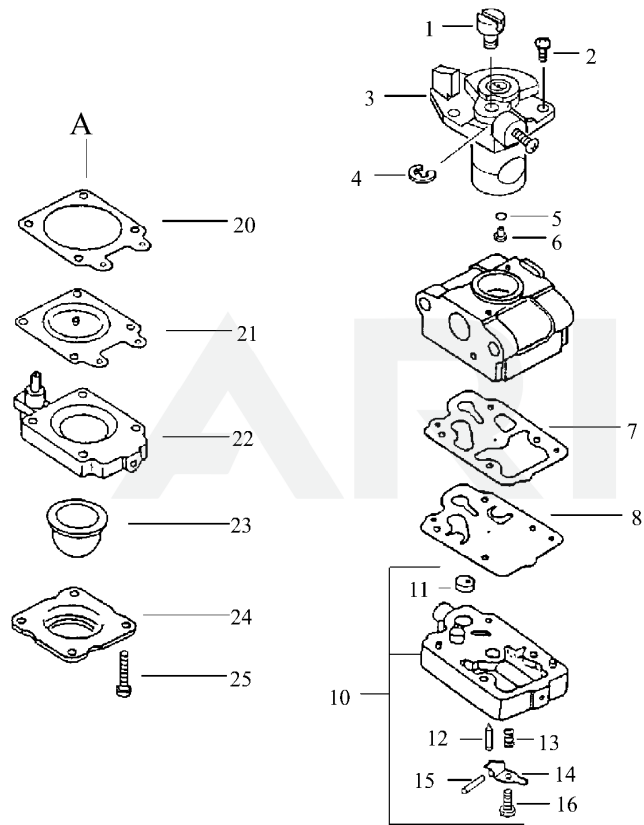
## Gear Case, Cutter(Sr/Nr 36002135 and before)

<b>Ref Number</b>	<b>Part Number</b>	<b>Part Description</b>	<b>Context Notes</b>	<b>Quantity</b>
4	X431-000010	BLUNT	BLUNT	1
4	X431-000011	BLUNT	BLUNT	1
5	A556-000301	DRUM,CLUTCH	DRUM,CLUTCH	1
6	880110-10860	NIPPLE, GREASE	NIPPLE, GREASE	1
7	C531-000210	CASE,GEAR	CASE,GEAR	1
7	C531-000270	CASE,GEAR	CASE,GEAR	1
8	900162-06018	BOLT, H.S.H	BOLT, H.S.H	3
9	900812-06200	BEARING, BALL	BEARING, BALL 6200	1
10	V650-000160	GEAR,SPUR	GEAR,SPUR	1
11	900804-00608	BEARING, BALL	BEARING, BALL 608	1
12	C538-000090	GUIDE,CUTTER	GUIDE,CUTTER	1
13	900162-04016	BOLT HSH	BOLT, H.S. 4*16	2
15	V150-001240	PLATE,EYE	PLATE,EYE	1
16	900810-06200	BEARING, BALL	BEARING, BALL 6200	2
17	100014-17330	SPACER, PISTON PIN	SPACER, PISTON PIN	2
19	P021-008400	ROD,CONNECTING	ROD,CONNECTING	2
20	610327-01261	BEARING, NEEDLE	BEARING, NEEDLE	2
21	V060-000030	GEAR,SPUR	GEAR,SPUR	1
22	V110-000030	GASKET,GEAR CASE	GASKET,GEAR CASE	1
23	C542-000020	PLATE,CASE LID	PLATE,CASE LID	1
24	V541-000100	SEAL	SEAL	1
27	900162-04016	BOLT HSH	BOLT, H.S. 4*16	6
28	C531-000220	GEAR CASE	GEAR CASE	1
28	C531-000280	CASE,GEAR	CASE,GEAR	1

<b>Ref Number</b>	<b>Part Number</b>	<b>Part Description</b>	<b>Context Notes</b>	<b>Quantity</b>
29	433022-06460	NUT	NUT	6
30	900603-00006	WASHER	WASHER 6	2
31	X502-000270	LABEL,ECHO	LABEL,ECHO	1
32	351200-07360	HANDLE ASSY	HANDLE ASSY	1
32	351200-07361	HANDLE ASY	HANDLE ASY	1
32	351200-07362	HANDLE ASY	HANDLE ASY	1
32	351200-07363	HANDLE ASY	HANDLE ASY	1
33	351012-07360	GRIP, HANDLE	GRIP, HANDLE	1
33	351012-07361	GRIP, REAR HANDLE	GRIP, REAR HANDLE	1
34	351217-07360	SUPPORTER, F. HANDLE	SUPPORTER, F. HANDLE	1
34	351217-07361	SUPPORTER, F. HANDLE	SUPPORTER, F. HANDLE	1
35	900253-05014	SCREW, TAPPING	SCREW 5*14	1
37	890617-07660	LABEL, CAUTION	LABEL, CAUTION	1
37	X505-002030	LABEL,CAUTION	LABEL,CAUTION	1
38	900238-05010	SCREW	SCREW 5*10	1
39	145712-14730	WASHER	WASHER	1
40	X425-000151	SUPPORT,CUTTER	SUPPORT,CUTTER	1
40	X425-000160	SUPPORT,CUTTER	SUPPORT,CUTTER	1
40	X425-000161	SUPPORT,CUTTER	SUPPORT,CUTTER	1
41	91103-06020	BOLT HSH	BOLT HSH	2
42	91103-06030	BOLT HSH	BOLT HSH	1
43	697010-07361	CUTTER	CUTTER	1

<b>Ref Number</b>	<b>Part Number</b>	<b>Part Description</b>	<b>Context Notes</b>	<b>Quantity</b>
43	697010-07362	CUTTER	CUTTER	1
44	697011-07361	CUTTER	CUTTER	1
44	697011-07362	CUTTER	CUTTER	1
45	699213-02063	INSULATOR	INSULATOR	1
46	699118-01261	WASHER	WASHER	9
47	699115-08960	BOLT, CUTTER	BOLT, CUTTER	1
48	351027-02060	BOLT	BOLT	1
49	699115-02062	BOLT	BOLT	3
50	898523-05160	COVER, CUTTER	COVER, CUTTER	1

# CARBURETOR



Rendered by ARI Network Services, Inc.

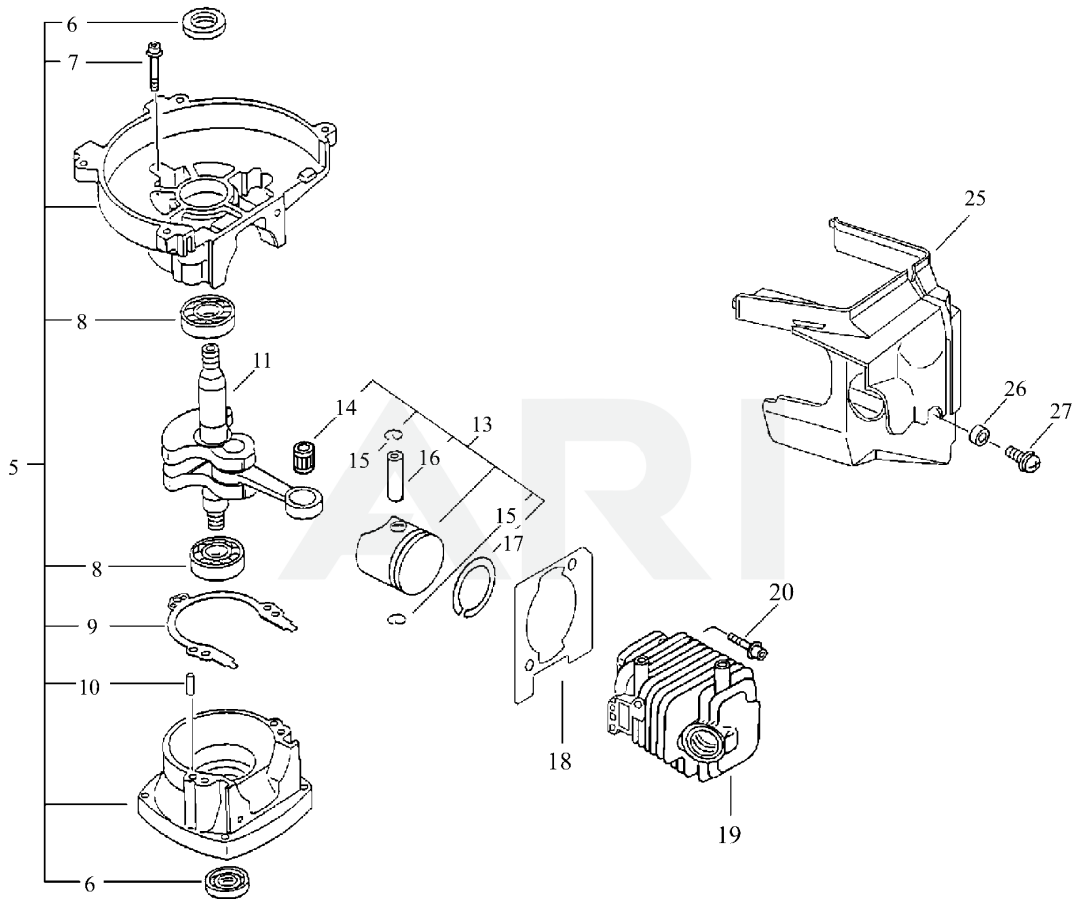
CARBURETOR

Ref Number	Part Number	Part Description	Context Notes	Quantity
	A021-000690	CARBURETOR,DIAPHRAGM	CARBURETOR,DIAPHRAGM	1
	A021-000691	CARBURETOR,DIAPHRAGM	CARBURETOR,DIAPHRAGM	1
1	123172-45130	SWIVEL	SWIVEL	1
2	123114-44330	SCREW	SCREW	2
3	P003-000800	VALVE THROTTLE	VALVE THROTTLE	1
4	123173-07930	CLIP	CLIP	1
5	123183-40630	O-RING	O-RING	1
6	P003-000280	JET	JET	1
7	123125-40630	GASKET, PUMP	GASKET, PUMP	1
8	123112-40630	DIAPHRAGM, PUMP	DIAPHRAGM, PUMP	1
10	P003-000780	BODY ASY,PUMP	BODY ASY,PUMP	1
11	123126-10631	SCREEN, INLET	SCREEN, INLET	1
12	123137-19830	VALVE, INLET NEEDLE	VALVE, INLET NEEDLE	1
13	123122-05560	SPRING, METER. LEVER	SPRING, METER. LEVER	1
14	123123-03930	LEVER, METERING	LEVER, METERING	1
15	123138-03930	PIN, METERING LEVER	PIN, METERING LEVER	1
16	123139-05560	SCREW, M. LEVER PIN	SCREW, M. LEVER PIN	1
20	123140-05560	GASKET, M. DIAPHRAGM	GASKET, M. DIAPHRAGM	1
21	P003-000090	METERING, DIAPHRAGM	METERING, DIAPHRAGM	1



<b>Ref Number</b>	<b>Part Number</b>	<b>Part Description</b>	<b>Context Notes</b>	<b>Quantity</b>
22	123180-05560	BODY, AIR PURGE	BODY, AIR PURGE	1
23	123181-40630	PUMP, PRIMER	PUMP, PRIMER	1
24	123142-05560	COVER, PRIMER PUMP	COVER, PRIMER PUMP	1
25	123110-05560	SCREW, PUMP COVER	SCREW, PUMP COVER	4

Cylinder, Crankcase, Piston(Sr/Nr 36002136 and after)

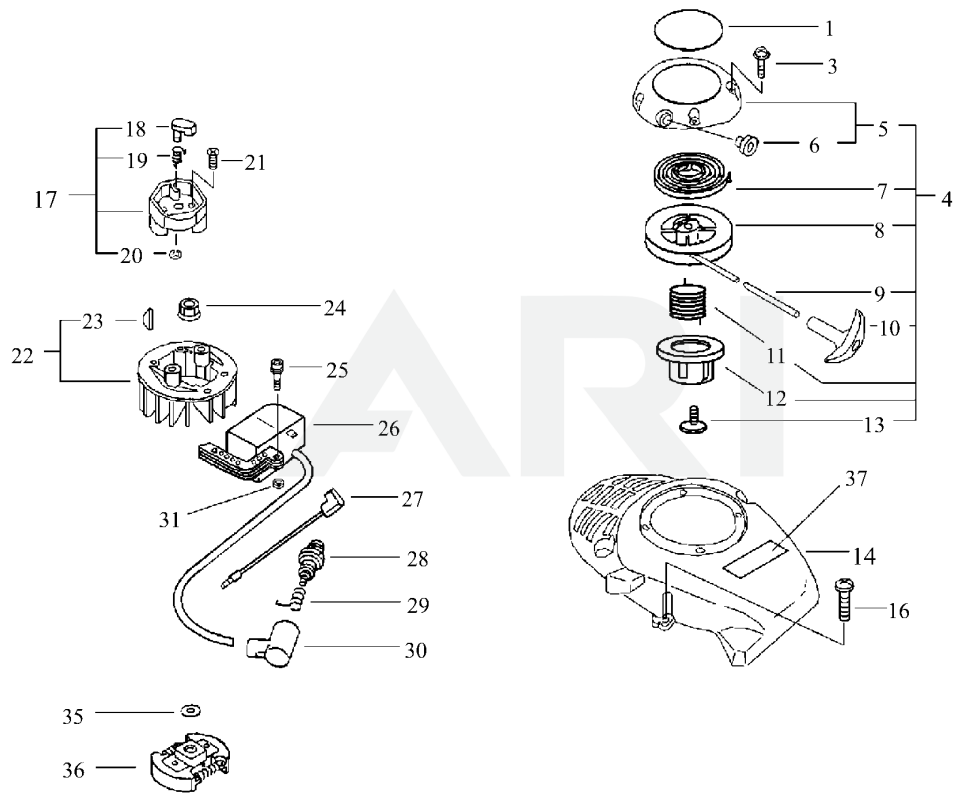


Rendered by ARI Network Services, Inc.

## Cylinder, Crankcase, Piston(Sr/Nr 36002136 and after)

<b>Ref Number</b>	<b>Part Number</b>	<b>Part Description</b>	<b>Context Notes</b>	<b>Quantity</b>
5	P021-003941	CRANK CASE SET	CRANK CASE SET	1
6	100212-61830	OILSEAL	OILSEAL	2
7	900162-05025	BOLT HSH	BOLT, H.S. 5*25	3
8	900810-36000	BEARING, BALL	BEARING, BALL	2
9	100242-61830	GASKET, CRANKCASE	GASKET, CRANKCASE	1
10	100215-03930	PIN, DOWEL	PIN, DOWEL	2
11	A011-000180	CRANKSHAFT,ASM	CRANKSHAFT,ASM	1
13	P021-008710	PISTON KIT	PISTON KIT	1
14	100012-61830	BEARING, NEEDLE	BEARING, NEEDLE	1
15	100015-61830	RING, SNAP	RING, SNAP	2
16	100013-61830	PIN, PISTON	PIN, PISTON	1
17	A101-000090	RING,PISTON	RING,PISTON	1
18	V100-000120	GASKET,CYL	GASKET,CYL	1
19	A130-000611	CYLINDER	CYLINDER	1
20	900162-05020	BOLT HSH	BOLT, H.S. 5*20	2
25	A160-000380	COVER,CYLINDER	COVER,CYLINDER	1
26	V323-000060	WASHER,CIRCULAR 5	WASHER,CIRCULAR 5	1
27	900239-05018	SCREW	SCREW 5*18	1

Starter, Magneto, Clutch(Sr/Nr 36002136 and after)



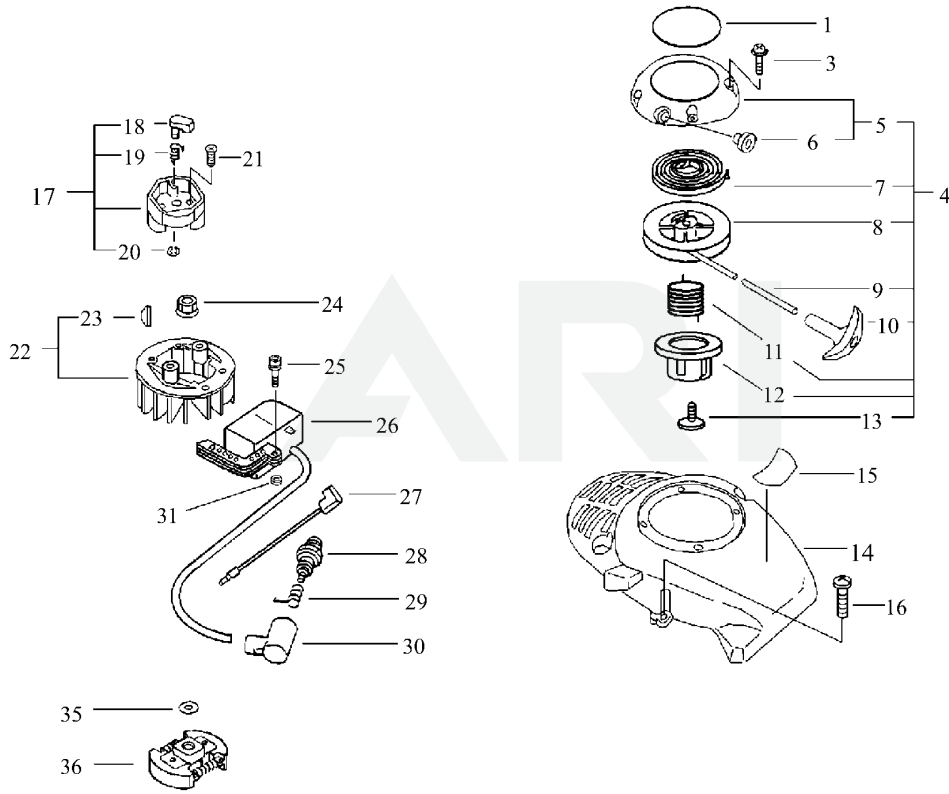
Rendered by ARI Network Services, Inc.

## Starter, Magneto, Clutch(Sr/Nr 36002136 and after)

<b>Ref Number</b>	<b>Part Number</b>	<b>Part Description</b>	<b>Context Notes</b>	<b>Quantity</b>
1	X547-000220	LABEL,ECHO	LABEL,ECHO	1
1	X502-000330	LABEL,ECHO	LABEL,ECHO	1
3	900253-05020	SCREW, TAPPING	SCREW 5*20	2
4	P022-007740	STARTER ASY	STARTER ASY	1
5	P022-006840	STARTER,RECOIL	STARTER,RECOIL	1
6	177227-42030	GUIDE, ROPE	GUIDE, ROPE	1
7	177220-42030	SPRING, REWIND	SPRING, REWIND	1
8	P022-006830	DRUM	DRUM	1
9	P022-006800	ROPE, STARTER	ROPE, STARTER	1
10	177228-44330	GRIP, STARTER	GRIP, STARTER	1
11	V452-000150	SPRING,TORSION	SPRING,TORSION	1
12	A507-000030	CATCHER,PAWL	CATCHER,PAWL	1
13	177236-61830	SCREW	SCREW	1
14	A172-000250	COVER,FAN	COVER,FAN	1
16	900239-05016	SCREW	SCREW 5*16	4
17	A052-000170	PULLEY,ASM STARTER	PULLEY,ASM STARTER	1
18	P022-006850	PAWL, STARTER	PAWL, STARTER	2
19	177234-05960	SPRING, RETURN	SPRING, RETURN	2
20	P022-002100	E-RING	E-RING	2

<b>Ref Number</b>	<b>Part Number</b>	<b>Part Description</b>	<b>Context Notes</b>	<b>Quantity</b>
21	900212-06014	SCREW 6*14	SCREW 6*14	2
22	P021-003340	ROTOR,MAGNETO W/KEY	ROTOR,MAGNETO W/KEY	1
23	100142-12330	KEY, WOODRUFF	KEY, WOODRUFF	1
24	900515-00006	NUT, FLANGE	NUT, FLANGE 6	1
25	91128-04022	BOLT HSH	BOLT HSH	2
26	A411-000100	COIL,IGNITION	COIL,IGNITION	1
27	162010-55930	LEARD, GROUND	LEARD, GROUND	1
28	159010-10230	PLUG, SPARK (BPMR-7A)	PLUG, SPARK (BPMR-7A)	1
29	159011-03432	COIL, SPARK PLUG	COIL, SPARK PLUG	1
30	159012-03433	CAP, SPARK PLUG	CAP, SPARK PLUG	1
31	150117-09130	SPACER	SPACER	2
35	610350-12360	WASHER	WASHER	1
36	A056-000090	CLUTCH	CLUTCH	1
36	A056-000091	CLUTCH	CLUTCH	1
37	X543-000930	LABEL,MODEL	LABEL,MODEL	1
38	X530-000210	LABEL,EYE CATCHER	LABEL,EYE CATCHER	1

### Starter, Magneto, Clutch(Sr/Nr 36002135 and before)



Rendered by ARI Network Services, Inc.

## Starter, Magneto, Clutch(Sr/Nr 36002135 and before)

<b>Ref Number</b>	<b>Part Number</b>	<b>Part Description</b>	<b>Context Notes</b>	<b>Quantity</b>
1	X502-000140	LABEL,ECHO	LABEL,ECHO	1
1	X547-000220	LABEL,ECHO	LABEL,ECHO	1
3	900253-05020	SCREW, TAPPING	SCREW 5*20	2
4	P022-007740	STARTER ASY	STARTER ASY	1
5	P022-006840	STARTER,RECOIL	STARTER,RECOIL	1
6	177227-42030	GUIDE, ROPE	GUIDE, ROPE	1
7	177220-42030	SPRING, REWIND	SPRING, REWIND	1
8	P022-006830	DRUM	DRUM	1
9	P022-006800	ROPE, STARTER	ROPE, STARTER	1
10	177228-44330	GRIP, STARTER	GRIP, STARTER	1
11	V452-000150	SPRING,TORSION	SPRING,TORSION	1
12	A507-000030	CATCHER,PAWL	CATCHER,PAWL	1
13	177236-61830	SCREW	SCREW	1
14	A172-000250	COVER,FAN	COVER,FAN	1
15	X503-005270	LABEL,MODEL	LABEL,MODEL	1
16	900239-05016	SCREW	SCREW 5*16	4
17	A052-000170	PULLEY,ASM STARTER	PULLEY,ASM STARTER	1
18	P022-006850	PAWL, STARTER	PAWL, STARTER	2
19	177234-05960	SPRING, RETURN	SPRING, RETURN	2



<b>Ref Number</b>	<b>Part Number</b>	<b>Part Description</b>	<b>Context Notes</b>	<b>Quantity</b>
20	P022-002100	E-RING	E-RING	2
21	900212-06014	SCREW 6*14	SCREW 6*14	2
22	P021-003340	ROTOR,MAGNETO W/KEY	ROTOR,MAGNETO W/KEY	1
23	100142-12330	KEY, WOODRUFF	KEY, WOODRUFF	1
24	900515-00006	NUT, FLANGE	NUT, FLANGE 6	1
25	900162-04020	BOLT HSH	BOLT, H.S. 4*20	2
25	91128-04022	BOLT HSH	BOLT HSH	2
26	A411-000100	COIL,IGNITION	COIL,IGNITION	1
27	162010-55930	LEARD, GROUND	LEARD, GROUND	1
28	159010-10230	PLUG, SPARK (BPMR-7A)	PLUG, SPARK (BPMR-7A)	1
29	159011-03432	COIL, SPARK PLUG	COIL, SPARK PLUG	1
30	159012-03433	CAP, SPARK PLUG	CAP, SPARK PLUG	1
31	150117-09130	SPACER	SPACER	1
35	610350-12360	WASHER	WASHER	1
36	A056-000090	CLUTCH	CLUTCH	1