

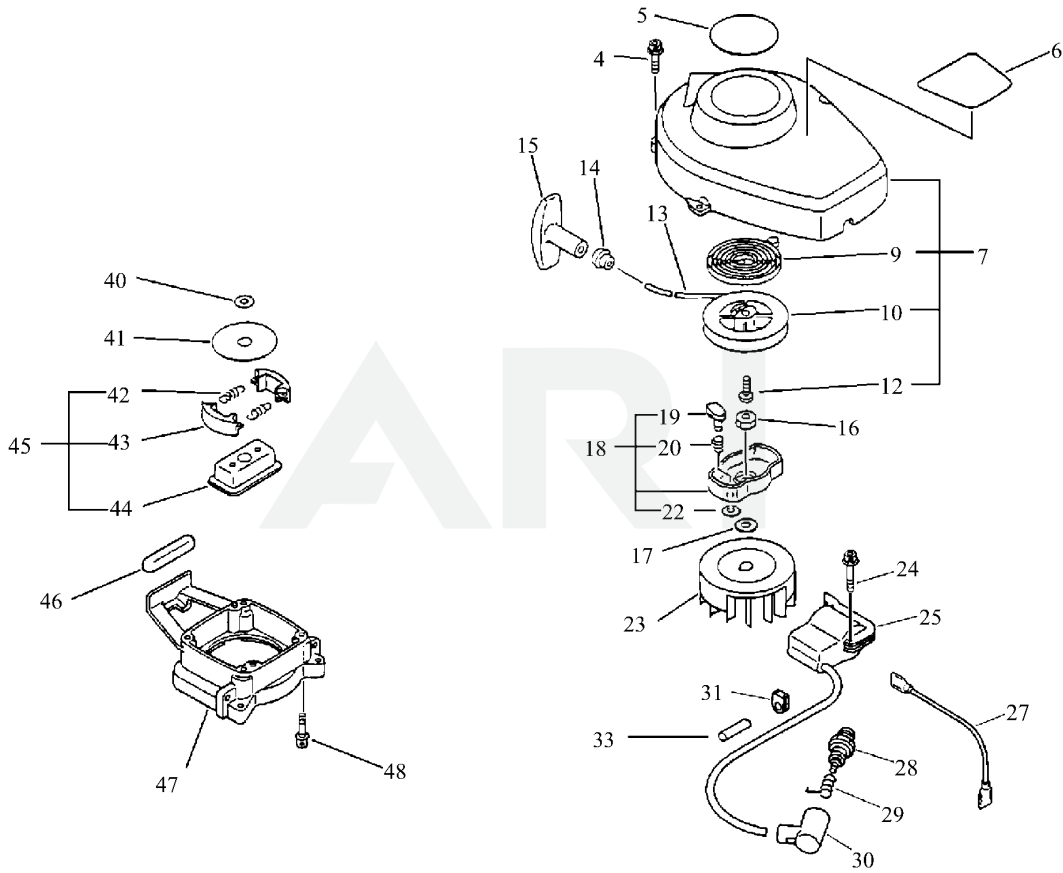
HC-2100_2100_W__AA_00000000

TABLE OF CONTENTS

Starter, Magneto, Clutch	3
Gear Case, Cutter, Tools [HC-2100]	7
Cylinder, Crankcase, Piston	11
Gear Case, Cutter, Tools [HC-2100W]	14
HANDLE	18
AIR CLEANER, MUFFLER	21
CARBURETOR	24
FUEL TANK	28

Starter, Magneto, Clutch

No.3



Page design © 2004-2017 by ARI Network Services, Inc.

Starter, Magneto, Clutch

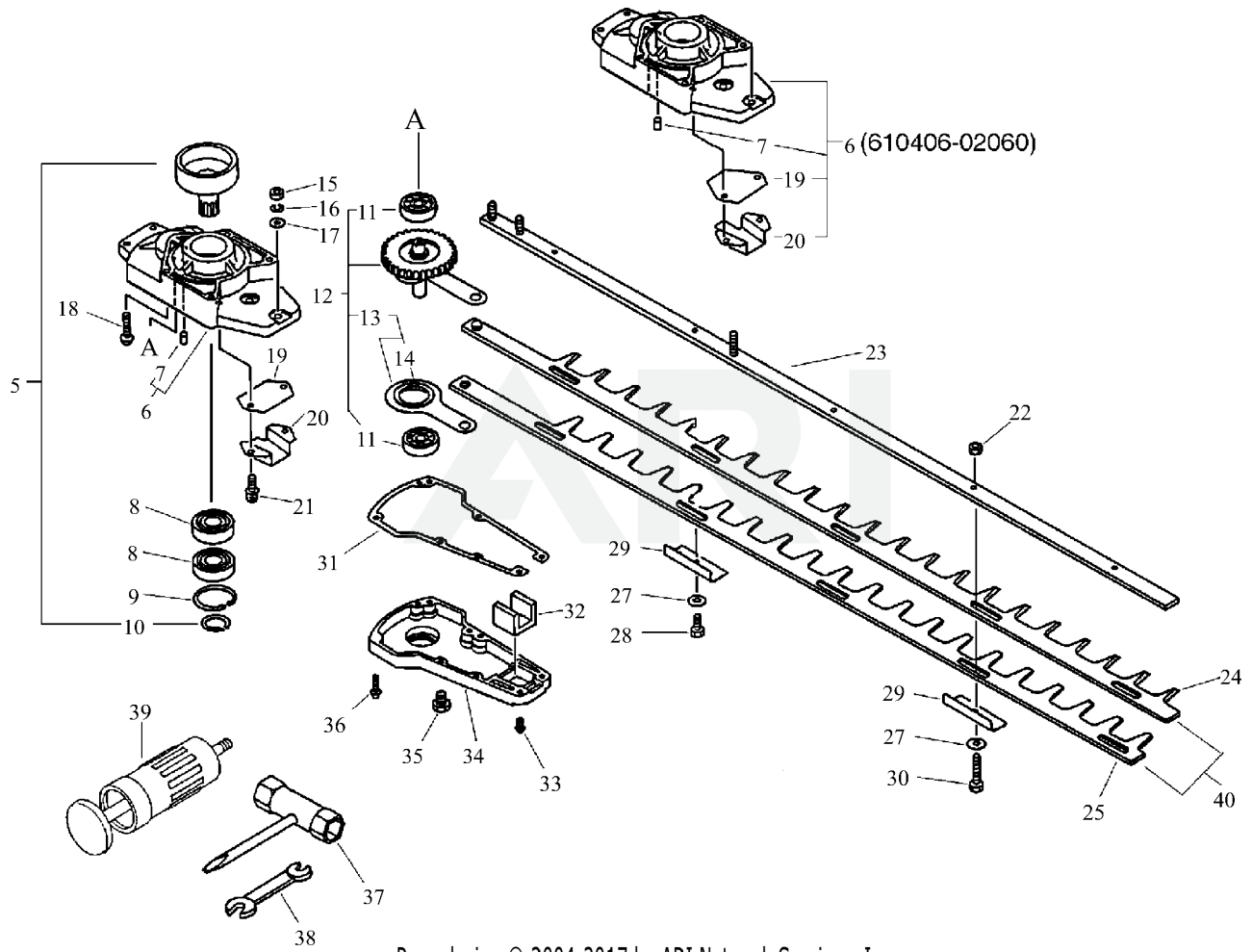
Ref Number	Part Number	Part Description	Context Notes	Quantity
4	900238-04016	SCREW	SCREW 4*16	4
5	890118-49130	LABEL, ECHO	LABEL, ECHO	1
6	890112-05960	LABEL, MODEL	LABEL, MODEL	1
7	177200-07162	STARTER ASSY	STARTER ASSY	1
9	177220-42030	SPRING, REWIND	SPRING, REWIND	1
10	177215-05960	DRUM, STARTER	DRUM, STARTER	1
12	177236-44330	SCREW	SCREW	1
13	177226-05960	ROPE, STARTER	ROPE, STARTER	1
14	177227-42030	GUIDE, ROPE	GUIDE, ROPE	1
15	177228-06530	GRIP, STARTER	GRIP, STARTER	1
16	900512-00008	NUT 3N 8 (L-H)	NUT 3N 8 (L-H)	1
17	900600-00008	WASHER	WASHER 8	1
18	177202-05960	PAWL ASSY, STARTER	PAWL ASSY, STARTER	1
18	177202-07360	PAWL ASSY, STARTER	PAWL ASSY, STARTER	1
18	177202-07361	PAWL ASM., STARTER	PAWL ASM., STARTER	1
19	177218-42030	PAWL, STARTER	PAWL, STARTER	1
19	177218-44330	PAWL, STARTER	PAWL, STARTER	1
20	177234-05960	SPRING, RETURN	SPRING, RETURN	1
20	P022-007980	SPRING, RETURN	SPRING, RETURN	1

Ref Number	Part Number	Part Description	Context Notes	Quantity
22	900700-00004	RETAINING RING, EXTERNAL-E	E-RING 4	1
23	156801-44730	FLYWHEEL	FLYWHEEL	1
23	156801-44731	FLYWHEEL	FLYWHEEL	1
24	900238-04022	SCREW	SCREW 4*22	2
25	156601-44730	COIL, IGNITION	COIL, IGNITION	1
25	156601-44731	COIL, IGNITION	COIL, IGNITION	1
25	156601-52130	COIL, IGNITION	COIL, IGNITION	1
27	162010-52830	LEAD, GROUND	LEAD, GROUND	1
28	159017-13930	PLUG, SPARK (CJ-7Y)	PLUG, SPARK (CJ-7Y)	1
29	159011-03432	COIL, SPARK PLUG	COIL, SPARK PLUG	1
30	159012-01620	CAP, SPARK PLUG	CAP, SPARK PLUG	1
31	156110-04920	BUSHING	BUSHING	1
33	V475-001900	TUBE	TUBE	1
40	175014-05360	WASHER, CLUTCH	WASHER, CLUTCH	1
41	175019-04920	PLATE, CLUTCH	PLATE, CLUTCH	1
45	175000-02961	CLUTCH ASSY	CLUTCH ASSY	1
45	175000-02962	CLUTCH ASSY	CLUTCH ASSY	1
42	175018-05130	SPRING, CLUTCH	SPRING, CLUTCH	2
43	175009-05131	SHOE, CLUTCH	SHOE, CLUTCH	2
44	175016-07330	HUB, CLUTCH	HUB, CLUTCH	1

Ref Number	Part Number	Part Description	Context Notes	Quantity
46	131920-28230	CUSHION, FUEL TANK	CUSHION, FUEL TANK	1
47	610223-05960	CASE, CLUTCH	CASE, CLUTCH	1
48	900238-04016	SCREW	SCREW 4*16	4

Gear Case, Cutter, Tools [HC-2100]

No.6



Page design © 2004-2017 by ARI Network Services, Inc.

Gear Case, Cutter, Tools [HC-2100]

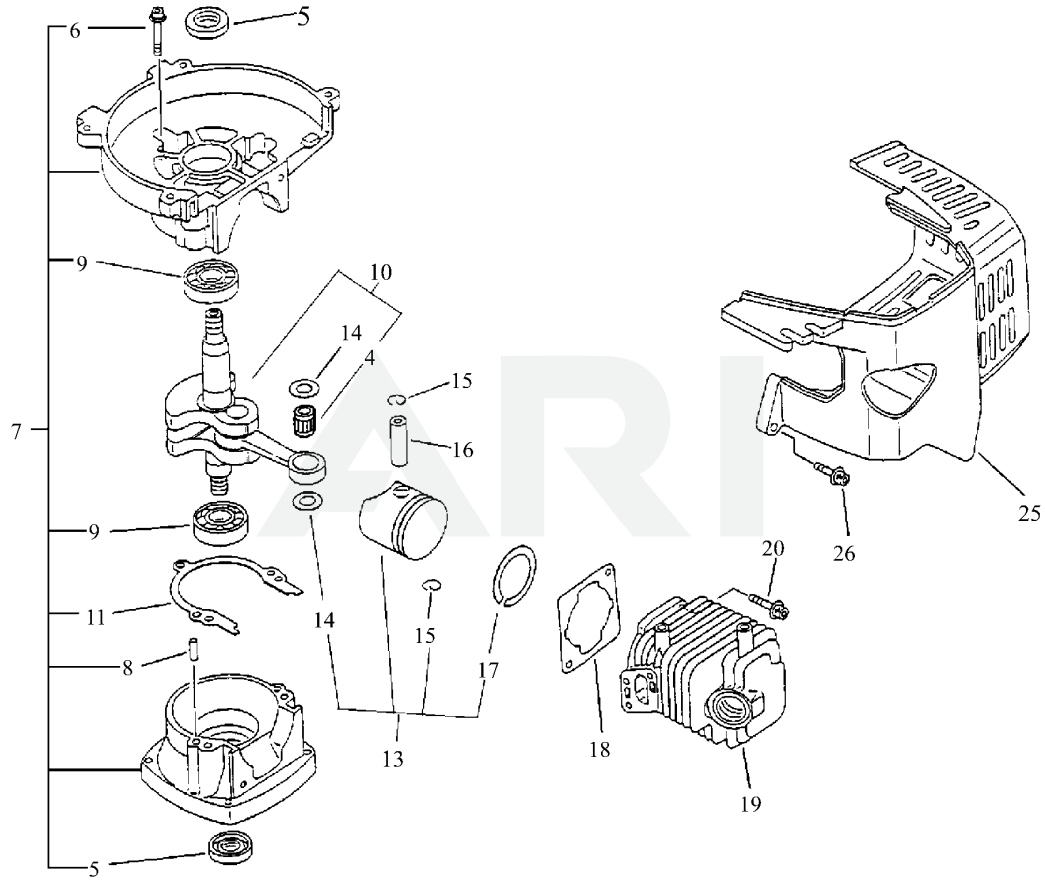
Ref Number	Part Number	Part Description	Context Notes	Quantity
5	175003-01261	DRUM W/CLIP, CLUTCH	DRUM W/CLIP, CLUTCH	1
10	900701-00016	CIRCLIP 16	CIRCLIP 16	1
6	610410-02060	HOUSING, GEAR (BS)	HOUSING, GEAR (BS)	1
6	610406-02060	CASE, GEAR	CASE, GEAR	1
7	100215-03930	PIN, DOWEL	PIN, DOWEL	1
19	610440-08960	GUIDE,CUTTER	GUIDE,CUTTER	1
20	610441-08960	GUIDE,CUUTER	GUIDE,CUUTER	1
8	900802-06003	BEARING, BALL 6003	BEARING, BALL 6003	2
9	900702-00035	RETAINING RING, INTERNAL	CIRCLIP 35	1
12	610302-01260	GEAR ASS'Y	GEAR ASS'Y	1
11	900810-06200	BEARING, BALL	BEARING, BALL 6200	2
13	610307-01260	CON-ROD ASS'Y	CON-ROD ASS'Y	2
14	610327-01260	BEARING, NEEDLE	BEARING, NEEDLE	2
14	610327-01261	BEARING, NEEDLE	BEARING, NEEDLE	2
15	900500-00006	NUT	NUT 6	2
16	900605-00006	WASHER, SPRING	WASHER, SPRING 6	2
17	900600-00006	WASHER	WASHER 6	2
18	900242-05030	SCREW	SCREW 5*30	4
19	610440-01260	GUIDE	GUIDE	1

Ref Number	Part Number	Part Description	Context Notes	Quantity
20	610441-02060	GUIDE	GUIDE	1
21	900162-05014	BOLT HSH	BOLT, H.S. 5*14	2
22	900560-00006	NUT, LOCK	NUT, LOCK	4
23	699105-02061	BAR, FRAME	BAR, FRAME	1
23	699110-02062	SUPPORT, CUTTER	SUPPORT, CUTTER	1
23	X425-000100	SUPPORT,CUTTER	SUPPORT,CUTTER	1
40	697000-02060	CUTTER SET	CUTTER SET	1
24	697010-02060	CUTTER (UPPER)	CUTTER (UPPER)	1
25	697011-02060	CUTTER (LOWER)	CUTTER (LOWER)	1
27	699118-01261	WASHER	WASHER	5
28	699115-02062	BOLT	BOLT	4
29	699213-02062	INSULATOR	INSULATOR	5
29	699213-02063	INSULATOR	INSULATOR	5
30	351027-02060	BOLT	BOLT	1
31	610414-01260	GASKET, GEAR HOUSING	GASKET, GEAR HOUSING	1
32	610426-01260	SEAL	SEAL	1
33	900242-04014	SCREW	SCREW 4*14	4
34	610411-05960	LID,GEARE CASE	LID,GEARE CASE	1
34	610411-05961	CASE, GEAR	CASE, GEAR	1
35	610434-50030	BOLT 8* 6	BOLT 8* 6	1

Ref Number	Part Number	Part Description	Context Notes	Quantity
36	900242-04022	SCREW 4*22	SCREW 4*22	2
37	895410-00431	WRENCH, W/S. DRIVER	WRENCH, W/S. DRIVER	1
37	895410-00430	WRENCH, W/S. DRIVER	WRENCH, W/S. DRIVER	1
38	895112-00330	SPANNER 8*10	SPANNER 8*10	1
39	880300-01260	PUMP ASS'Y, GREASE	PUMP ASS'Y, GREASE	1

Cylinder, Crankcase, Piston

No.1



Page design © 2004-2017 by ARI Network Services, Inc.

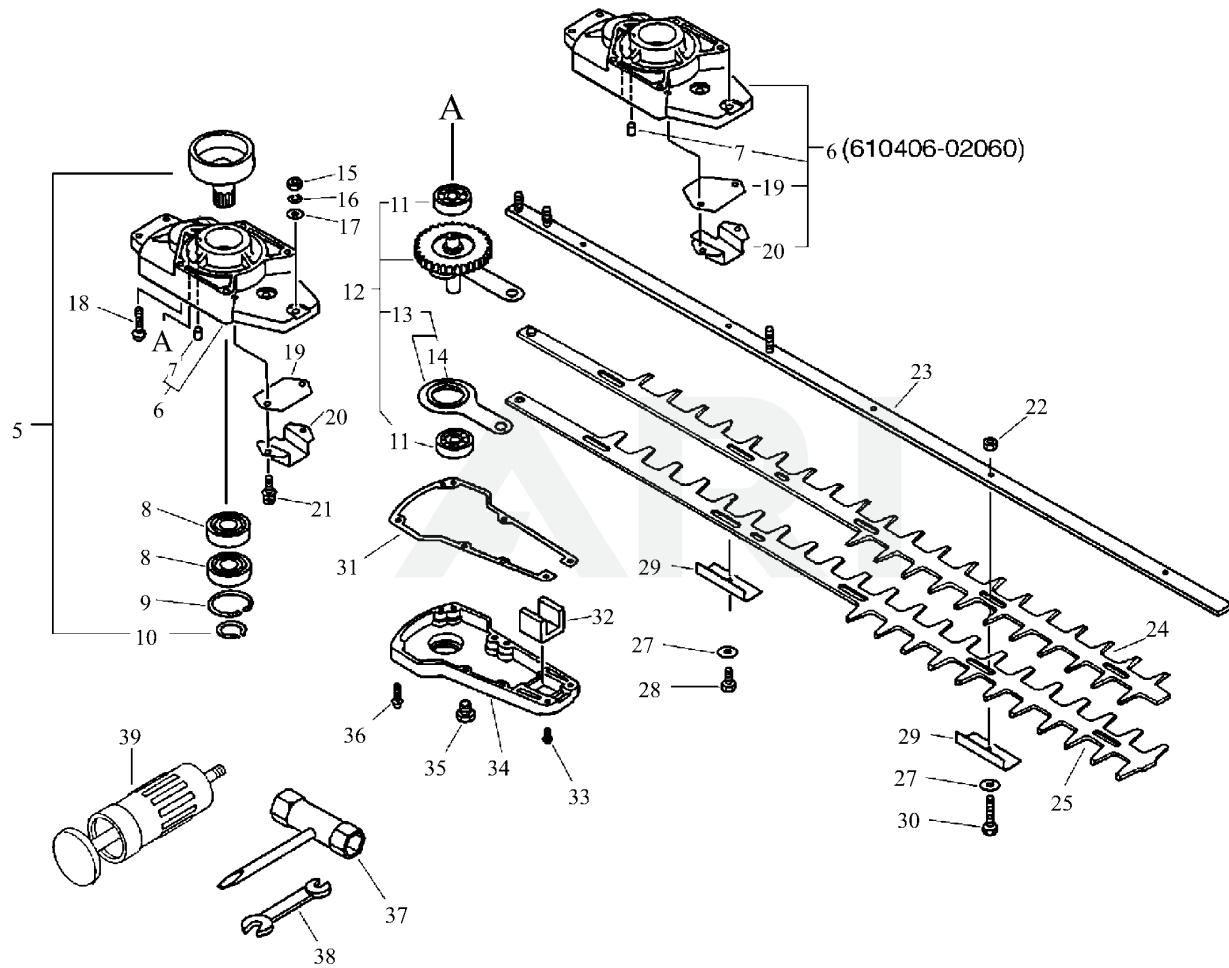
Cylinder, Crankcase, Piston

Ref Number	Part Number	Part Description	Context Notes	Quantity
7	100204-42030	CRANKCASE KIT	CRANKCASE KIT	1
7	100204-51030	CRANKCASE KIT	CRANKCASE KIT	1
7	100204-51031	CRANKCASE KIT	CRANKCASE KIT	1
5	100212-42030	OILSEAL	OILSEAL	2
5	100212-42031	OILSEAL	OILSEAL	2
6	900238-05028	SCREW 5*28	SCREW 5*28	3
6	900162-05028	BOLT HSH	BOLT, H.S. 5*28	3
8	100215-03930	PIN, DOWEL	PIN, DOWEL	2
9	900810-36201	BEARING, BALL 6201	BEARING, BALL 6201	2
9	94035-36201	BEARING, BALL	BEARING BALL	2
11	100242-42030	GASKET, CRANKCASE	GASKET, CRANKCASE	1
10	100100-05960	CRANKSHAFT ASSY	CRANKSHAFT ASSY	1
10	100100-05961	CRANKSHAFT ASSY	CRANKSHAFT ASSY	1
10	100100-05962	CRANKSHAFT ASSY	CRANKSHAFT ASSY	1
10	100100-05963	CRANKSHAFT	CRANKSHAFT	1
4	100012-11520	BEARING, NEEDLE	BEARING, NEEDLE	1
4	100012-51230	BEARING, NEEDLE	BEARING, NEEDLE	1
4	V553-000010	BEARING,NEEDLE 8	BEARING,NEEDLE 8	1
13	100000-44330	PISTON KIT	PISTON KIT	1
13	100000-44331	PISTON KIT	PISTON KIT	1
14	100014-11520	SPACER, PISTON PIN	SPACER, PISTON PIN	2
15	100015-04630	CIRCLIP, PISTON PIN	CIRCLIP, PISTON PIN	2
16	100013-11520	PIN, PISTON	PIN, PISTON	1
17	100011-05330	RING, PISTON	RING, PISTON	1
18	101010-42031	GASKET, CYL. BASE	GASKET, CYL. BASE	1
18	101010-44330	GASKET, CYL. BASE	GASKET, CYL. BASE	1
18	101010-44331	GASKET, CYL. BASE	GASKET, CYL. BASE	1
18	101010-44332	GASKET, CYL. BASE	GASKET, CYL. BASE	1
19	101011-45230	CYLINDER	CYLINDER	1

Ref Number	Part Number	Part Description	Context Notes	Quantity
20	900162-05022	BOLT HSH	BOLT, H.S. 5*22	2
25	101514-05960	COVER, CYLINDER	COVER, CYLINDER	1
26	900238-04022	SCREW	SCREW 4*22	2

Gear Case, Cutter, Tools [HC-2100W]

No.7



Page design © 2004-2017 by ARI Network Services, Inc.

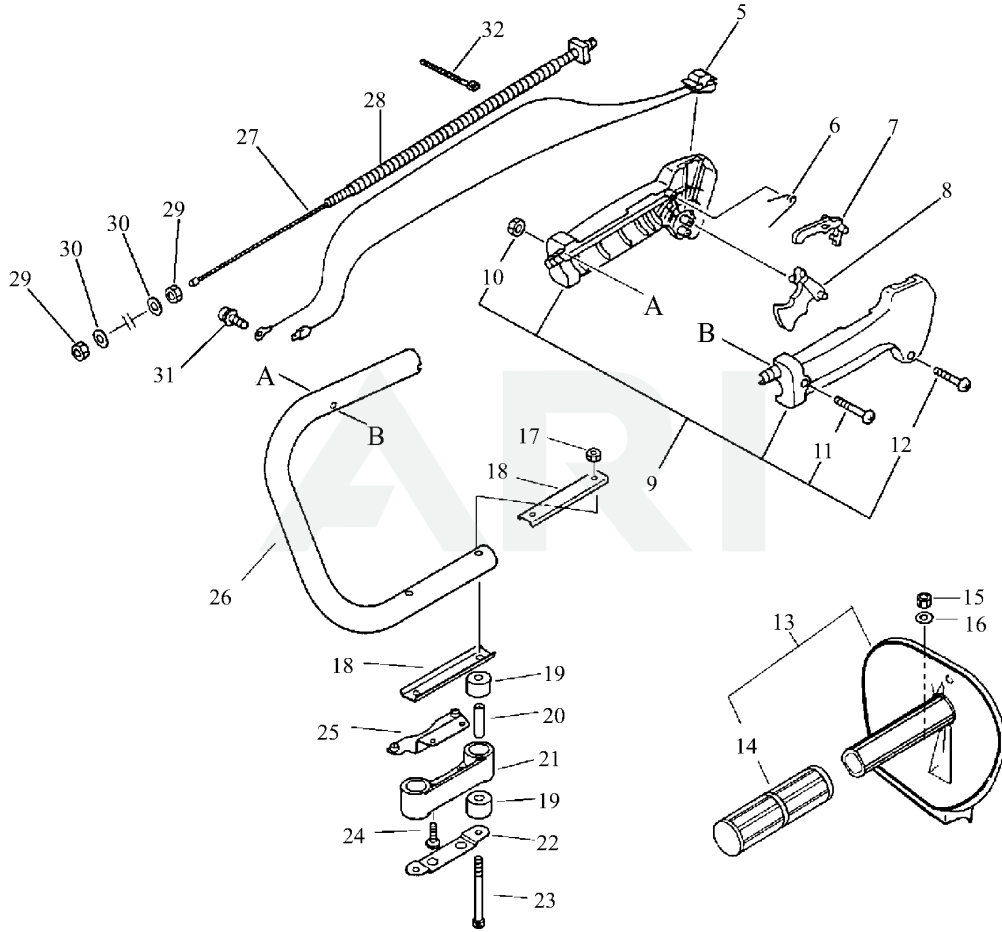
Gear Case, Cutter, Tools [HC-2100W]

Ref Number	Part Number	Part Description	Context Notes	Quantity
5	175003-01261	DRUM W/CLIP, CLUTCH	DRUM W/CLIP, CLUTCH	1
10	900701-00016	CIRCLIP 16	CIRCLIP 16	1
6	610410-02060	HOUSING, GEAR (BS)	HOUSING, GEAR (BS)	1
6	610406-02060	CASE, GEAR	CASE, GEAR	1
7	100215-03930	PIN, DOWEL	PIN, DOWEL	1
19	610440-08960	GUIDE,CUTTER	GUIDE,CUTTER	1
20	610441-08960	GUIDE,CUUTER	GUIDE,CUUTER	1
8	900802-06003	BEARING, BALL 6003	BEARING, BALL 6003	2
9	900702-00035	RETAINING RING, INTERNAL	CIRCLIP 35	1
12	610302-01260	GEAR ASS'Y	GEAR ASS'Y	1
11	900810-06200	BEARING, BALL	BEARING, BALL 6200	2
13	610307-01260	CON-ROD ASS'Y	CON-ROD ASS'Y	2
14	610327-01260	BEARING, NEEDLE	BEARING, NEEDLE	2
14	610327-01261	BEARING, NEEDLE	BEARING, NEEDLE	2
15	900500-00006	NUT	NUT 6	2
16	900605-00006	WASHER, SPRING	WASHER, SPRING 6	2
17	900600-00006	WASHER	WASHER 6	2
18	900242-05030	SCREW	SCREW 5*30	4
19	610440-01260	GUIDE	GUIDE	1

Ref Number	Part Number	Part Description	Context Notes	Quantity
20	610441-02060	GUIDE	GUIDE	1
21	900162-05014	BOLT HSH	BOLT, H.S. 5*14	2
22	900560-00006	NUT, LOCK	NUT, LOCK	4
23	699105-02061	BAR, FRAME	BAR, FRAME	1
23	699110-02062	SUPPORT, CUTTER	SUPPORT, CUTTER	1
23	X425-000100	SUPPORT,CUTTER	SUPPORT,CUTTER	1
24	697010-07360	CUTTER	CUTTER	1
24	697010-07361	CUTTER	CUTTER	1
25	697011-07360	CUTTER	CUTTER	1
25	697011-07361	CUTTER	CUTTER	1
27	699118-01261	WASHER	WASHER	5
28	699115-02062	BOLT	BOLT	4
29	699213-02062	INSULATOR	INSULATOR	2
29	699213-02063	INSULATOR	INSULATOR	2
30	351027-02060	BOLT	BOLT	1
31	610414-01260	GASKET, GEAR HOUSING	GASKET, GEAR HOUSING	1
32	610426-01260	SEAL	SEAL	1
33	900242-04014	SCREW	SCREW 4*14	4
34	610411-05960	LID,GEARE CASE	LID,GEARE CASE	1
34	610411-05961	CASE, GEAR	CASE, GEAR	1

Ref Number	Part Number	Part Description	Context Notes	Quantity
35	610434-50030	BOLT 8* 6	BOLT 8* 6	1
35	610434-50031	BOLT 8* 8	BOLT 8* 8	1
36	900242-04022	SCREW 4*22	SCREW 4*22	2
37	895410-00431	WRENCH, W/S. DRIVER	WRENCH, W/S. DRIVER	1
37	895410-00430	WRENCH, W/S. DRIVER	WRENCH, W/S. DRIVER	1
38	895112-00330	SPANNER 8*10	SPANNER 8*10	1
39	880300-01260	PUMP ASS'Y, GREASE	PUMP ASS'Y, GREASE	1

HANDLE No.5



Page design © 2004-2017 by ARI Network Services, Inc.

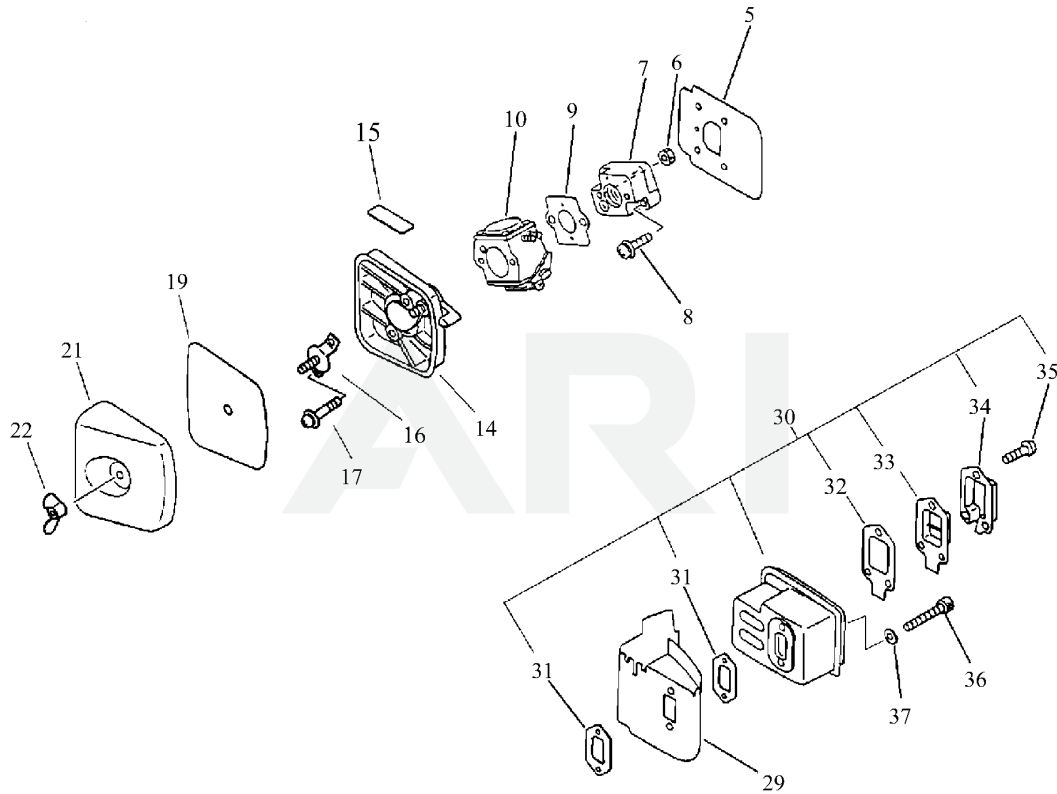
HANDLE

Ref Number	Part Number	Part Description	Context Notes	Quantity
5	163401-05960	SWITCH, IGNITION	SWITCH, IGNITION	1
6	178013-35631	SPRING, THR. LOCK	SPRING, THR. LOCK	1
7	178012-46930	LOCKOUT, THROTTLE	LOCKOUT, THROTTLE	1
8	178010-46930	CONTROL, THROTTLE	CONTROL, THROTTLE	1
9	351102-47530	GRIP ASSY, F-HANDLE	GRIP ASSY, F-HANDLE	1
10	900500-00005	NUT	NUT 5	1
11	900220-05030	SCREW	SCREW 5*30	1
12	900246-03025	SCREW, TAPPING	SCREW 3*25	4
13	351200-02060	HANDLE ASSY	HANDLE ASSY	1
14	351012-01260	GRIP	GRIP	1
15	900560-00006	NUT, LOCK	NUT, LOCK	2
16	900603-00006	WASHER	WASHER 6	2
17	900560-00005	NUT, LOCK	NUT, LOCK 5	2
18	351243-01260	BRACKET	BRACKET	2
19	351228-01260	CUSHION	CUSHION	4
20	351241-01260	SPASER	SPASER	2
21	351217-05960	SUPPORTER, F.HANDLE	SUPPORTER, F.HANDLE	1
22	351242-01261	PLATE	PLATE	1
23	900105-05060	BOLT HSH	BOLT, H.S. 5*60	2

Ref Number	Part Number	Part Description	Context Notes	Quantity
24	900242-05016	SCREW	SCREW 5*16	2
25	610438-01260	PLATE	PLATE	1
26	351205-05960	HANDLE, LEFT	HANDLE, LEFT	1
26	351205-08961	HANDLE, REAR	HANDLE, REAR	1
27	178001-05960	WIRE, THROTTLE	WIRE, THROTTLE	1
28	178127-05960	TUBE	TUBE	1
29	900502-00006	NUT	NUT 6 (3N)	2
30	900600-00006	WASHER	WASHER 6	2
31	900238-05010	SCREW	SCREW 5*10	1
32	178121-10050	BAND	BAND	1

AIR CLEANER, MUFFLER

No.2



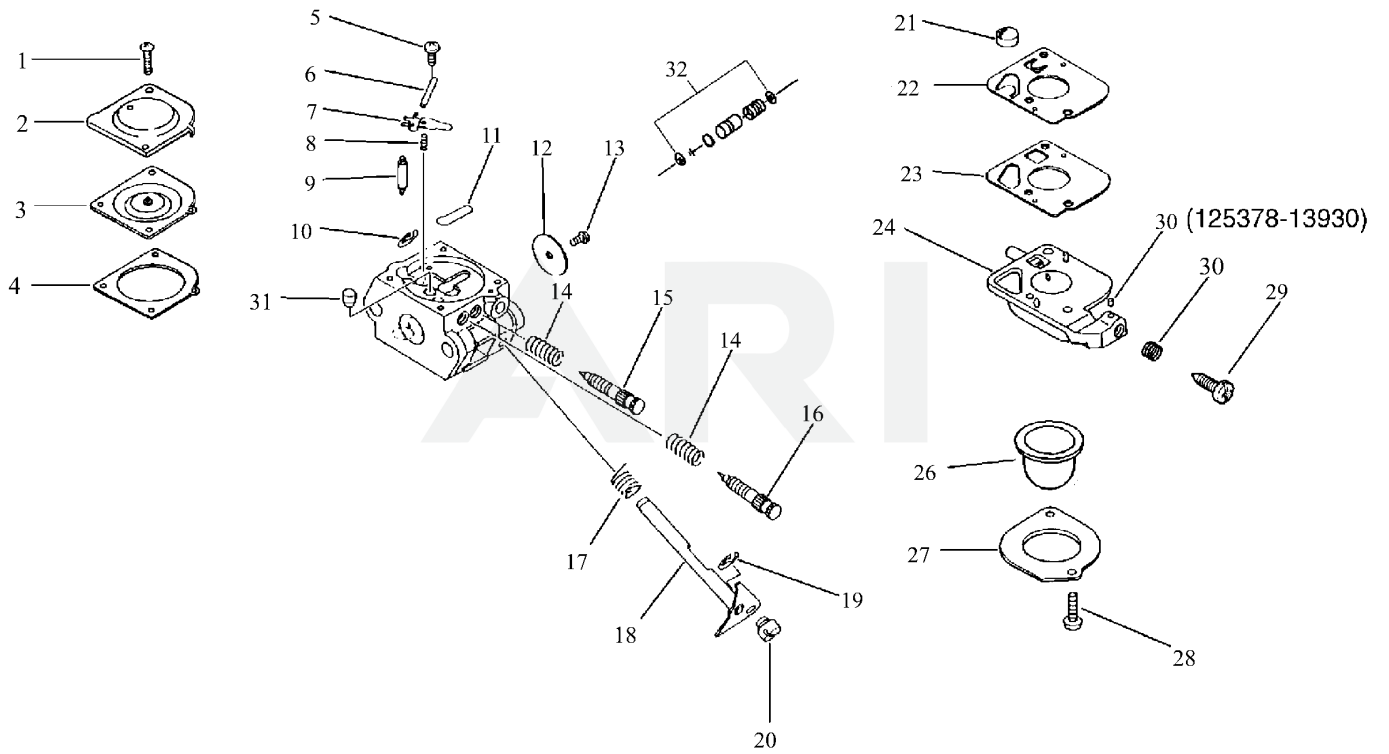
Page design © 2004-2017 by ARI Network Services, Inc.

AIR CLEANER, MUFFLER

Ref Number	Part Number	Part Description	Context Notes	Quantity
5	130010-42031	GASKET	GASKET	1
5	130010-42032	GASKET,INTAKE	GASKET,INTAKE	1
6	900500-00005	NUT	NUT 5	2
7	130017-42031	INSULATOR, INTAKE	INSULATOR, INTAKE	1
8	900238-05020	SCREW	SCREW 5*20	2
9	130016-42031	GASKET, INTAKE	GASKET, INTAKE	1
10	125200-06960	CARBURETOR ASSY	CARBURETOR ASSY	1
10	125200-06961	CARBURETOR ASSY	CARBURETOR ASSY	1
10	125200-05961	CARBURETOR C1U-K51	CARBURETOR C1U-K51	1
10	125200-05962	CARBURETOR	CARBURETOR	1
10	125200-05963	CARBURETOR C1U-K51	CARBURETOR C1U-K51	1
10	125200-05964	CARBURETOR	CARBURETOR	1
14	130307-05860	CASE, AIR CLEANER	CASE, AIR CLEANER	1
14	P021-002921	CASE, AIR CLEANER	CASE, AIR CLEANER	1
15	890121-05360	LABEL, METERING	LABEL, METERING	1
16	129011-05060	PLATE	PLATE	1
17	900242-05064	SCREW	SCREW 5*64	2
19	130310-04560	FILTER, AIR	FILTER, AIR	1
21	130313-44330	COVER, AIR CLEANER	COVER, AIR CLEANER	1

Ref Number	Part Number	Part Description	Context Notes	Quantity
21	130313-44331	COVER, AIR CLEANER	COVER, AIR CLEANER	1
22	900528-00005	NUT	NUT	1
29	145871-44330	COVER, MUFFLER	COVER, MUFFLER	1
29	145871-44331	COVER, MUFFLER	COVER, MUFFLER	1
29	145631-42030	COVER, MUFFLER	COVER, MUFFLER	1
29	A320-000250	COVER,MUFFLER	COVER,MUFFLER	1
29	A320-000251	COVER,MUFFLER	COVER,MUFFLER	1
30	145900-05960	MUFFLER KIT (NMS)	MUFFLER KIT (NMS)	1
30	145802-05960	MUFFLER ASSY	MUFFLER ASSY	1
31	145510-42031	GASKET, MUFFLER	GASKET, MUFFLER	2
31	V104-000160	GASKET,EXHAUST	GASKET,EXHAUST	2
32	145866-42031	GASKET, MUFFLER LID	GASKET, MUFFLER LID	1
33	145876-42030	LID, MUFFLER (B)	LID, MUFFLER (B)	1
34	145863-05960	HOLDER, SCREEN(SAM)	HOLDER, SCREEN(SAM)	1
34	145863-06960	FIXTURE, SCREEN	FIXTURE, SCREEN	1
35	900242-04010	SCREW	SCREW 4*10	3
36	900105-05055	BOLT HSH	BOLT, H.S. 5*55	2
37	900600-00005	WASHER	WASHER 5	2

CARBURETOR No.8



Page design © 2004-2017 by ARI Network Services, Inc.

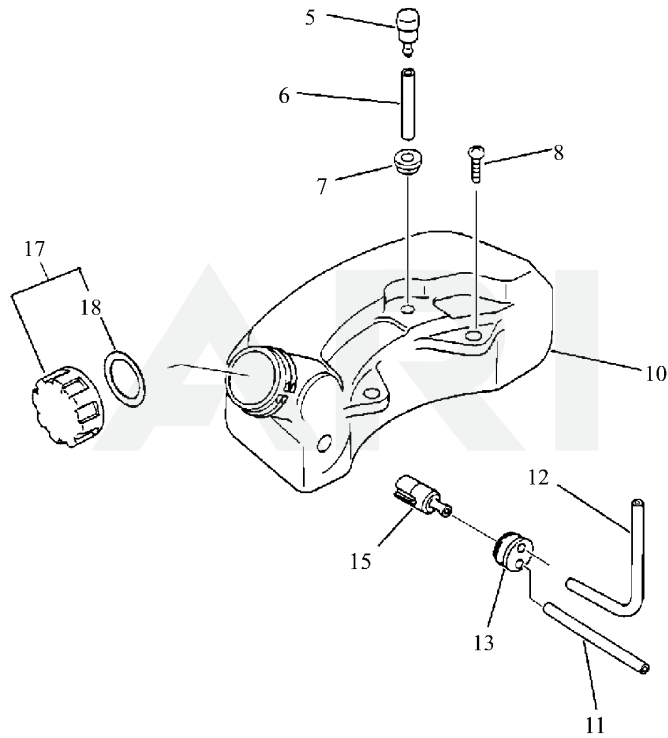
CARBURETOR

Ref Number	Part Number	Part Description	Context Notes	Quantity
	125200-06960	CARBURETOR ASSY	CARBURETOR ASSY	1
	125200-06961	CARBURETOR ASSY	CARBURETOR ASSY	1
	125200-05961	CARBURETOR C1U-K51	CARBURETOR C1U-K51	1
	125200-05962	CARBURETOR	CARBURETOR	1
	125200-05963	CARBURETOR C1U-K51	CARBURETOR C1U-K51	1
	125200-05964	CARBURETOR	CARBURETOR	1
1	125344-13931	SCREW	SCREW	2
1	125344-52130	SCREW	SCREW	2
2	125342-15130	COVER, DIAPHRAGM	COVER, DIAPHRAGM	1
2	125342-13210	COVER, DIAPHRAGM	COVER, DIAPHRAGM	1
2	125342-52130	COVER, DIAPHRAGM	COVER, DIAPHRAGM	1
3	125341-42030	DIAPHRAGM	DIAPHRAGM	1
3	125341-49030	DIAPHRAGM	DIAPHRAGM	1
4	125340-11520	GASKET, DIAPHRAGM	GASKET, DIAPHRAGM	1
4	125340-51030	GASKET, DIAPHRAGM	GASKET, DIAPHRAGM	1
5	125339-42030	SCREW	SCREW	1
6	125338-13930	PIN, METERING ARM	PIN, METERING ARM	1
7	125323-42030	LEVER, METERING	LEVER, METERING	1
8	125322-07260	SPRING, COIL	SPRING, COIL	1

Ref Number	Part Number	Part Description	Context Notes	Quantity
8	125322-42030	SPRING, COIL	SPRING, COIL	1
9	125337-13930	VALVE, NEEDLE	VALVE, NEEDLE	1
9	125337-06960	VALVE,INLET NEEDLE	VALVE,INLET NEEDLE	1
10	125327-15130	CLIP	CLIP	1
11	125345-15130	PLUG, WELCH	PLUG, WELCH	1
12	125316-42030	VALVE, THROTTLE	VALVE, THROTTLE	1
12	125316-07260	VALVE, THROTTLE	VALVE, THROTTLE	1
12	125316-49030	VALVE, THROTTLE	VALVE, THROTTLE	1
13	125314-13930	SCREW	SCREW	1
14	125319-42030	SPRING, COIL	SPRING, COIL	2
15	125318-42030	NEEDLE, IDLE	NEEDLE, IDLE	1
15	125318-13120	SCREW, IDLE NEEDLE	SCREW, IDLE NEEDLE	1
16	125320-07260	NEEDLE, HIGH SPEED	NEEDLE, HIGH SPEED	1
16	125320-13310	NEEDLE, HIGH SPEED	NEEDLE, HIGH SPEED	1
17	125313-42030	SPRING, THRT. RETURN	SPRING, THRT. RETURN	1
18	125317-42030	SHAFT, THROTTLE	SHAFT, THROTTLE	1
18	125317-13310	SHAFT, THROTTLE	SHAFT, THROTTLE	1
19	125327-13930	CLIP	CLIP	1
20	125372-42030	SWIVEL	SWIVEL	1
21	125326-42030	STRAINER	STRAINER	1

Ref Number	Part Number	Part Description	Context Notes	Quantity
22	125312-42030	DIAPHRAGM, FUEL PUMP	DIAPHRAGM, FUEL PUMP	1
22	125312-12820	DIAPHRAGM, FUEL PUMP	DIAPHRAGM, FUEL PUMP	1
23	125325-42030	GASKET, FUEL PUMP	GASKET, FUEL PUMP	1
23	125325-13310	GASKET, PUMP	GASKET, PUMP	1
24	125324-11610	COVER, PUMP	COVER, PUMP	1
24	125383-13310	BASE, PRIMER	BASE, PRIMER	1
24	P005-000590	BASE,ASY PRIMER	BASE,ASY PRIMER	1
26	125381-46730	PUMP, PRIMING	PUMP, PRIMING	1
26	125381-08660	PUMP, PRIMING	PUMP, PRIMING	1
27	125363-11610	RING	RING	1
28	125310-11610	SCREW	SCREW	2
29	125334-13930	SCREW, IDLE ADJUST	SCREW, IDLE ADJUST	1
29	125334-06960	SCREW,THROTTLEADJUST	SCREW,THROTTLEADJUST	1
30	125378-13930	PIECE, FRICTION	PIECE, FRICTION	1
30	125333-06960	SPRING,IDLE ADJUSTER	SPRING,IDLE ADJUSTER	1
31	125376-13120	NOZZLE, CHECK VALVE	NOZZLE, CHECK VALVE	1
32	125306-13120	PUMP KIT, ACC.	PUMP KIT, ACC.	1

FUEL TANK No.4



Page design © 2004-2017 by ARI Network Services, Inc.

FUEL TANK

Ref Number	Part Number	Part Description	Context Notes	Quantity
5	131300-49930	VALVE, CHECK	VALVE, CHECK	1
5	131300-56430	VALVE, CHECK	VALVE, CHECK	1
6	132010-05960	PIPE, FUEL (INNER)	PIPE, FUEL (INNER)	1
6	132010-21160	PIPE, FUEL	PIPE, FUEL	1
6	V471-001180	PIPE	PIPE	1
7	132115-01460	GROMMET	GROMMET	1
7	132115-01461	GROMMET	GROMMET	1
8	900243-05016	SCREW	SCREW 5*16	2
10	131002-08960	TANK, FUEL	TANK, FUEL	1
10	131002-08961	TANK, FUEL	TANK, FUEL	1
11	132717-06460	PIPE 3*5*110	PIPE 3*5*110	1
11	132010-06460	PIPE 3* 6*110	PIPE 3* 6*110	1
12	132010-02160	PIPE, FUEL (INNER)	PIPE, FUEL (INNER)	1
13	132115-44330	GROMMET	GROMMET	1
15	131205-07320	STRAINER, FUEL	STRAINER, FUEL	1
17	131004-40930	CAP ASSY. FUEL TANK	CAP ASSY. FUEL TANK	1
17	131004-53530	CAP ASSY, FUEL TANK	CAP ASSY, FUEL TANK	1
18	131016-40930	GASKET, FUEL CAP	GASKET, FUEL CAP	1
18	131016-55830	GASKET, FUEL CAP	GASKET, FUEL CAP	1