

STIGA

ESTATE 598 (2023)

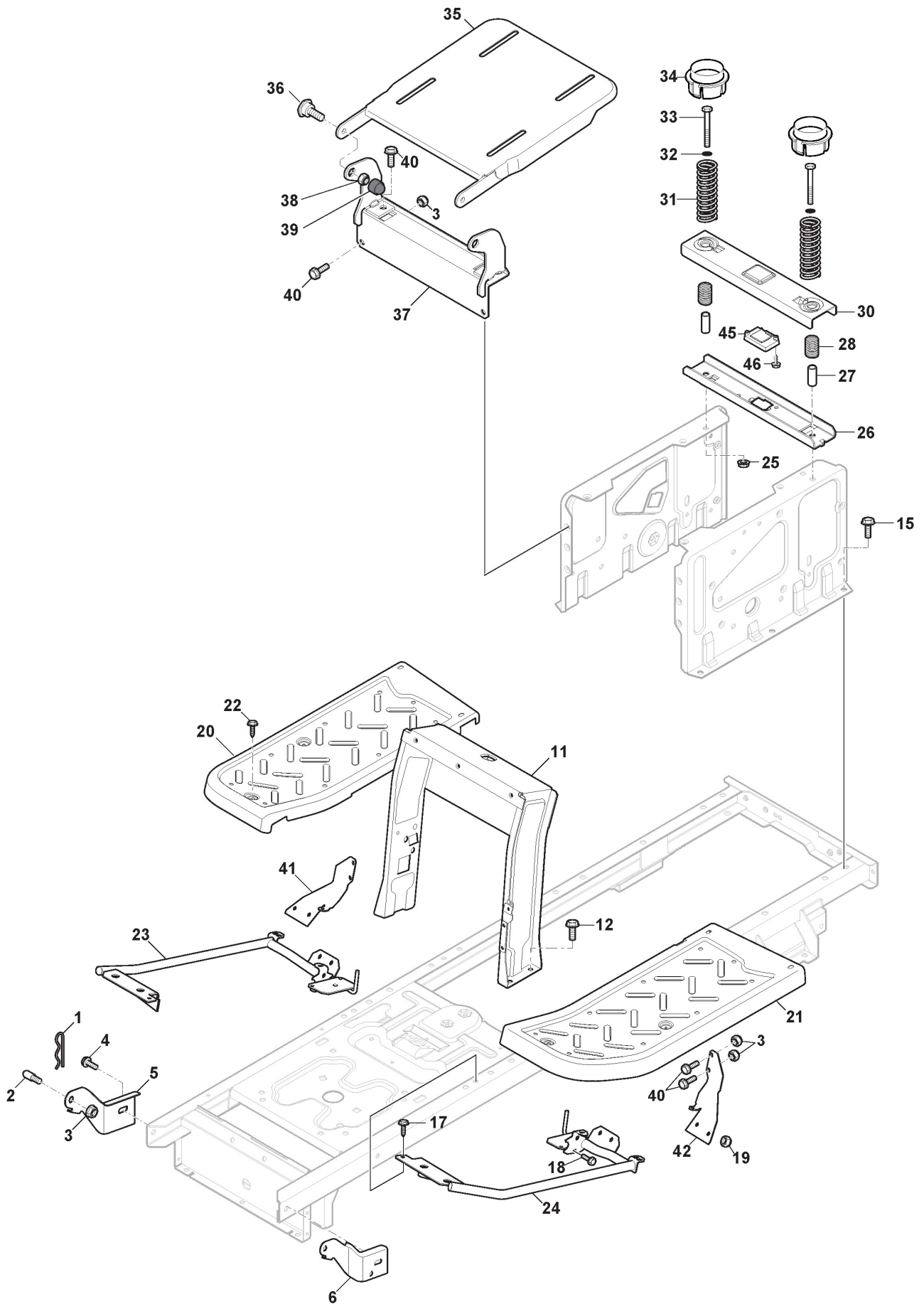
2T2620481/ST2



Spare parts list Reservdelar Repuestos Ersatzteile Pièces détachées Reserve onderdelen Catalogo ricambi

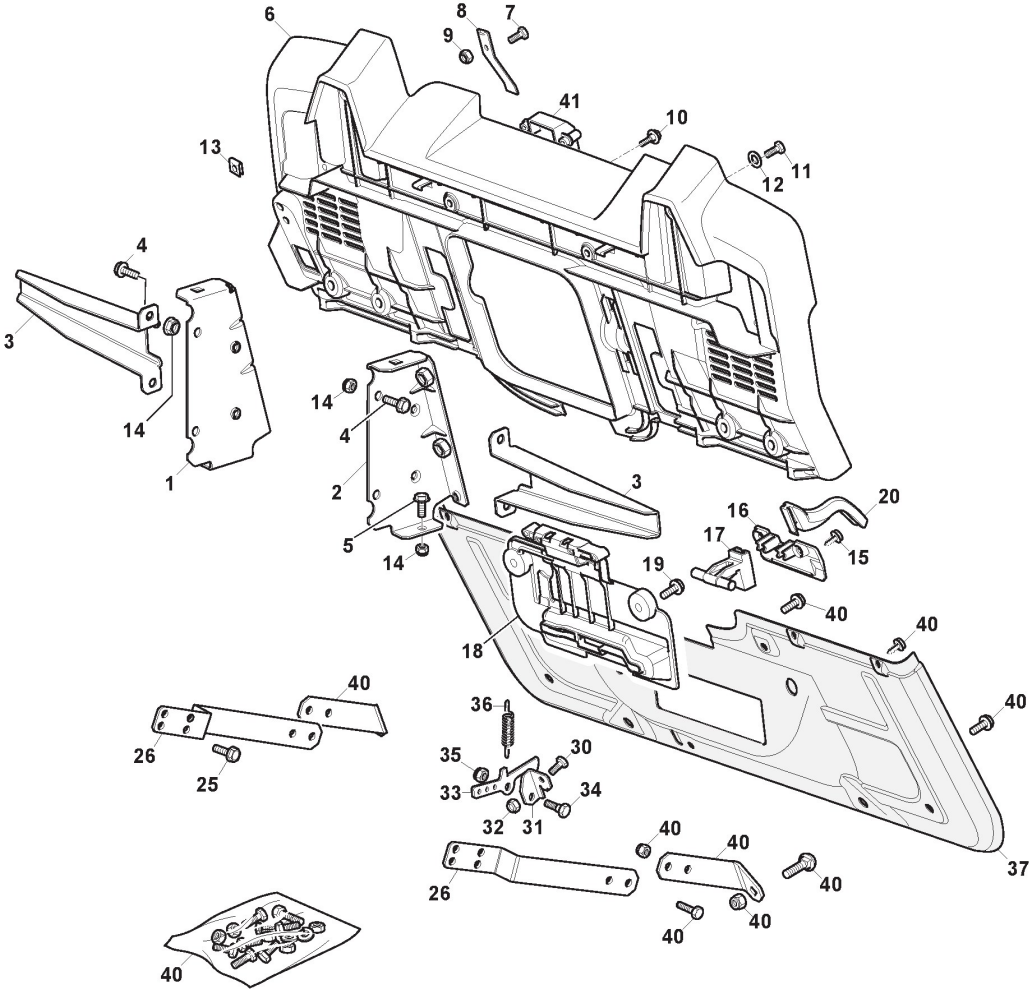
- Use ST. S.p.A. Genuine Spare Parts specified in the parts list for repair and/or replacement.
- The contents described in the parts list may change due to improvement.
- The drawings of the spare parts are only indicative And might Not represent the part in question exactly.
- The indications "right" - "left" - "front" - "rear" refer to the position of the operator when using the machine.
- When placing orders of parts for repair And/Or replacement, make sure that the illustrated parts list Is the one applying to the machine's year of manufacture, as shown on the identification plate attached to the machine.

All rights reserved. No part Of this material may be reproduced Or transmitted, in any form Or by any means, electronic Or mechanical, including photocopying, recording Or by any information storage And retrieval system, without permission in writing from ST. S.p.A.



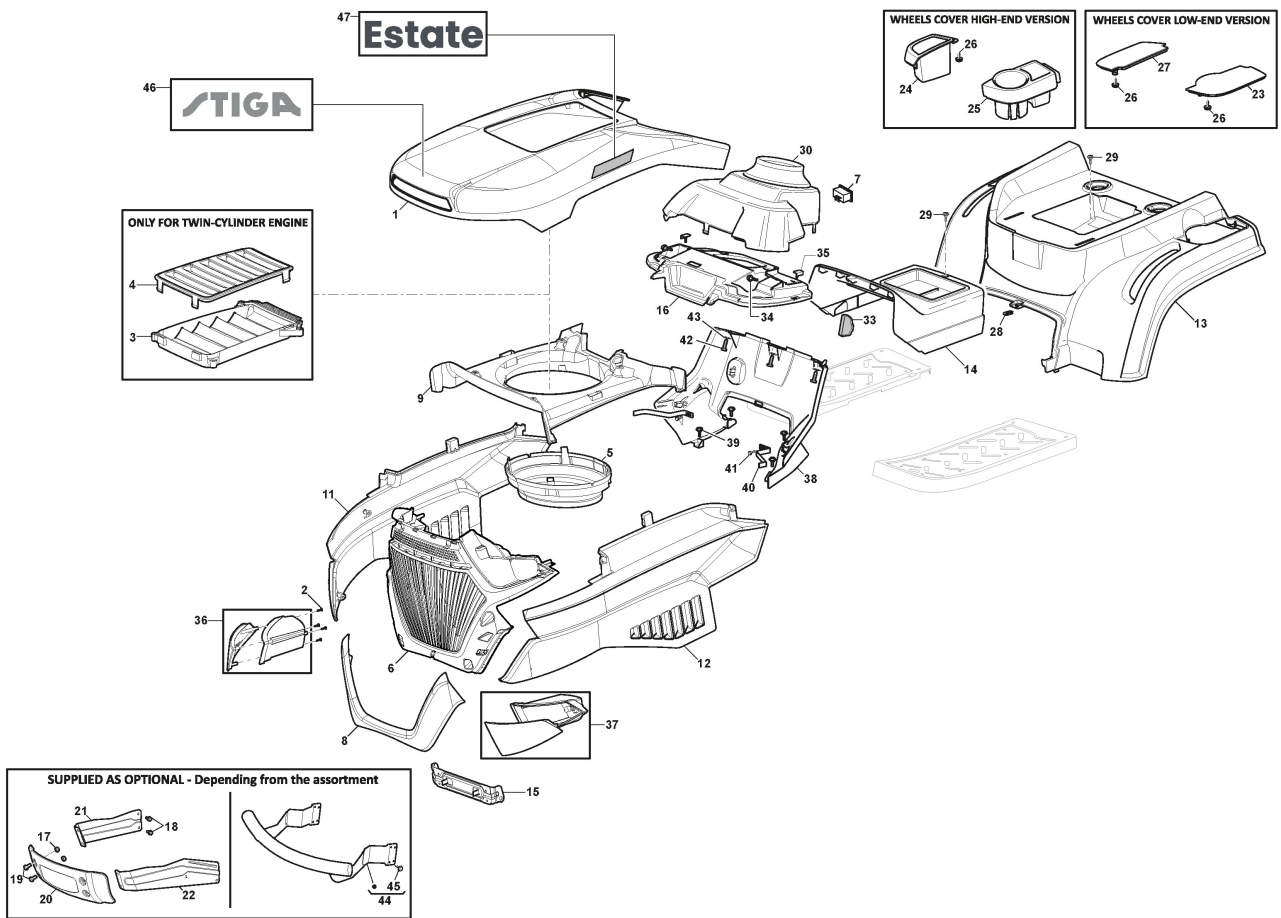
Chassis

Ref.nr.	Antal	Komponentkode	Beskrivelse	Noter	From	Op til
1	1	124487998/0	Cotter Pin			
2	2	125510169/1	Pin			
3	10	112155000/0	Nut			
4	2	112735403/0	Screw			
5	1	325547225/0	Right Plate			
6	1	325547227/0	Left Plate			
11	1	382785169/1	Steering Column Support			
12	4	125943009/0	Screw			
15	6	125943009/0	Screw			
17	2	125943009/0	Screw			
18	2	125943009/0	Screw			
19	10	112155000/0	Nut			
20	1	325500050/0	Right Footboard			
21	1	325500051/0	Left Footboard			
22	4	112735403/0	Screw			
23	1	382785223/1	Footboard Support			
24	1	382785221/1	Footboard Support			
25	2	112293201/0	Nut			
26	1	325820109/1	Seat Support			
27	2	125160048/0	Spacer			
28	2	125430263/0	Spring			
30	1	325820111/1	Switch Comand Cross			
31	2	125430264/1	Spring			
32	2	112521350/0	Washer			
33	2	112691400/0	Screw			
34	2	325600148/0	Hood			
35	1	382547061/1	Plate			
36	2	122524970/3	Pin			
37	1	382820151/2	Seat Support			To S/N 22JA3RON 004240
37	1	382820151/3	Seat Support		From S/N 22JA3RON	
38	2	112155010/0	Nut			
39	2	118203854/0	Cap			
40	10	125943009/0	Screw			
41	1	325650155/2	Support			
42	1	325650157/2	Support			
45	1	325785379/1	Support			
46	2	112728697/0	Screw			



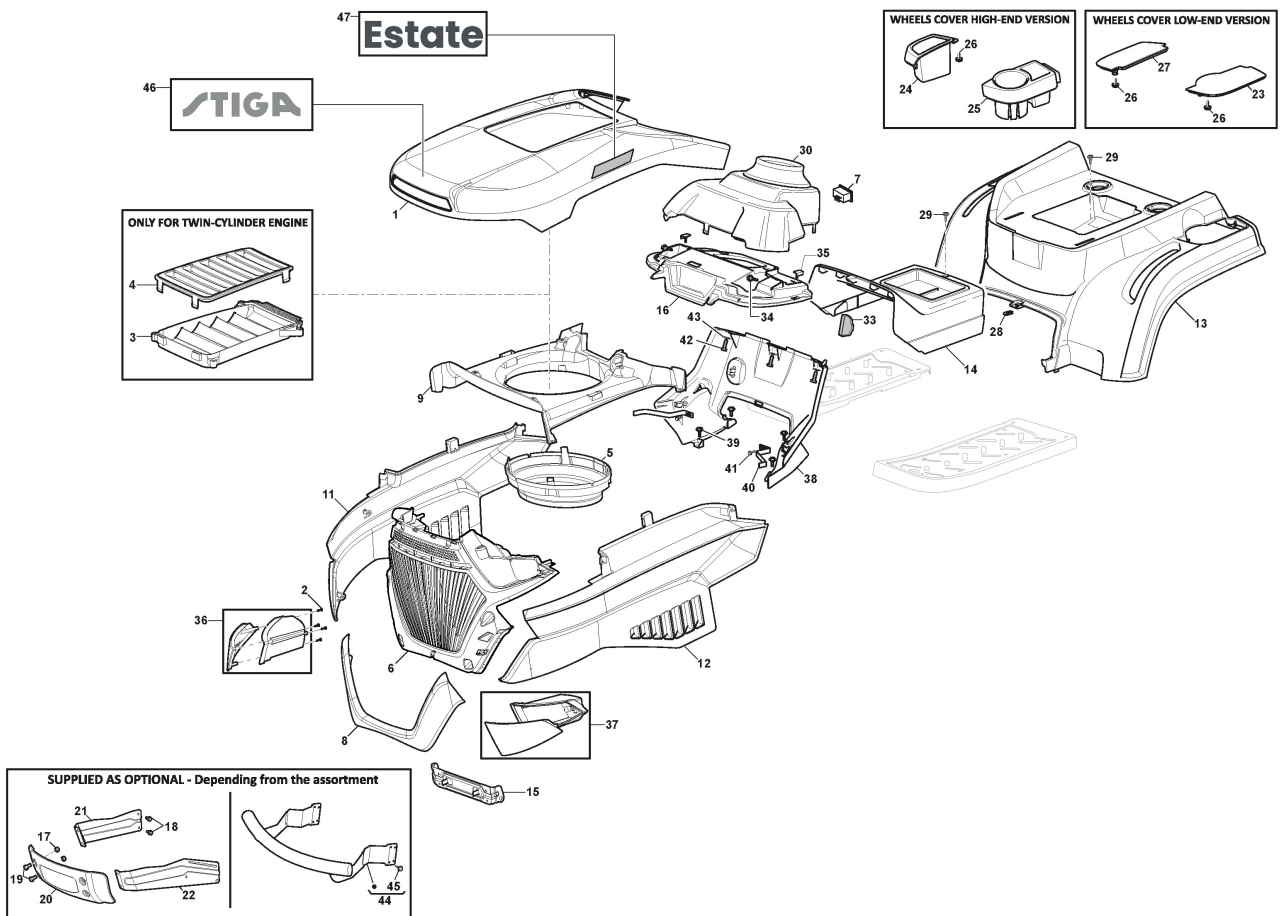
Frame - Rear Plate

Ref.nr.	Antal	Komponentkode	Beskrivelse	Noter	From	Op til
1	1	325774501/0	Clamp			
2	1	325774507/0	Clamp			To S/N
2	1	325774507/1	Left Clamp Bracket		From S/N 21JA3RON 001268	01112001
3	2	325650163/0	Stiffening			
4	8	125943009/0	Screw			
5	2	125943009/0	Screw			
6	1	325547299/1	Rear Plate, Upper Part			
7	1	112789021/0	Screw			
8	1	127430600/0	Spring			
9	1	112154330/0	Nut			
10	4	125943010/0	Screw			
11	6	112789021/0	Screw			
12	6	112523020/0	Washer			
13	6	112437503/0	Plate			
14	10	112155000/0	Nut			
15	2	112728697/0	Screw			
16	1	325109522/0	Protection Cover			
17	1	325318276/0	Gearshift			
18	1	325785428/0	Support			
19	2	125943010/0	Screw			
20	1	325318277/0	Lever	Also on endowment p40		
25	4	112793102/0	Screw			
26	2	325774521/0	Clamp			
30	1	112789021/0	Screw			
31	1	325755061/0	Bracket			
32	1	112154330/0	Nut			
33	1	325774533/0	Clamp			
34	1	125510080/2	Pin			
35	1	112154510/0	Nut			
36	1	125430282/1	Spring			
37	1	382547071/1	Plate			
40	1	382180146/0	Outfit, Screws			
41	1	325600107/0	Micro Protection			



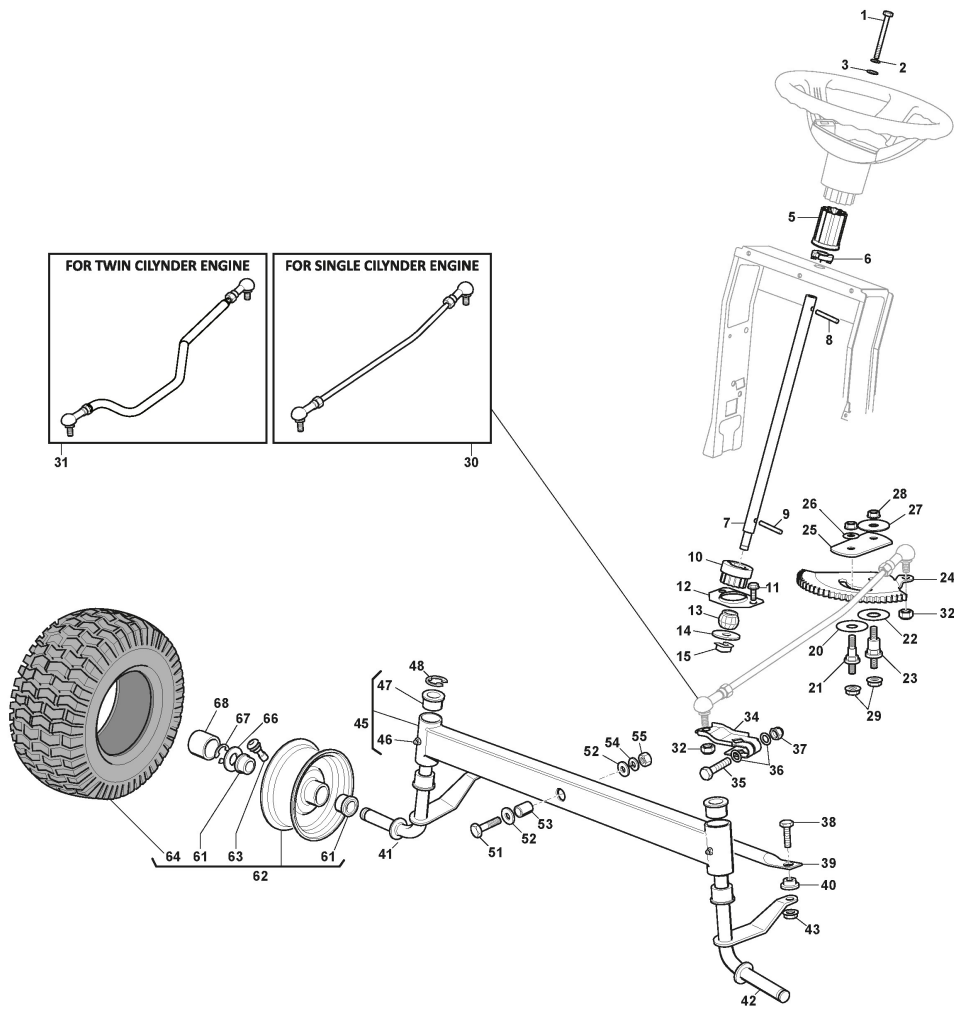
Body Work

Ref.nr.	Antal	Komponentkode	Beskrivelse	Noter	From	Op til
1	1	325077005/0	Upper Engine Hood, Yellow	Yellow without Air Intake		
2	2	112728706/0	Screw			
3	1	325263313/0	Air Intake Grill			
4	1	325263314/0	Air Intake Grill			
5	1	325108108/0	Conveyor			
6	1	325076997/0	Frontal Bonnet			
7	1	9400-0384-01	Hour Meter	If foreseen		
8	1	325076998/0	Lower Hood, Front	Grey NCS8000N		To S/N 22GA3RON
8	1	325076998/1	Lower Hood, Front	Grey NCS8000N	From S/N 22GA3RON 000468	
9	1	325108109/0	Air Intake Grill	Grey NCS8000N		
11	1	325207283/0	Bonnet Right Side Cover, Grey	Grey NCS8000N		To S/N 22GA3RON
11	1	325207283/1	Bonnet Right Side Cover, Grey	Grey NCS8000N	From S/N 22GA3RON	000467
12	1	325207284/0	Bonnet Left Side Cover, Grey	Grey NCS8000N		To S/N 22GA3RON
12	1	325207284/1	Bonnet Left Side Cover, Grey	Grey NCS8000N	From S/N 22GA3RON	000467
13	1	325110438/1	Yellow Wheels Cover	Yellow		To S/N 22GA3RON
13	1	325110438/2	Yellow Wheels Cover	Yellow	From S/N 22GA3RON	000467
14	1	325110463/0	Grey Central Cover	Grey NCS8000N		To S/N 22KA3RON
14	1	325110541/0	Black Central Cover	Grey NCS8000N	From S/N 22KA3RON	008537
15	1	325785551/1	Engine Hood Support			
16	1	325120259/2	Dashboard			
17	4	112155000/0	Nut			
18	4	112735599/0	Screw			
19	4	112792611/0	Screw			
20	1	382263501/0	Bumper			
21	1	382785255/0	Right Support			
22	1	382785257/0	Left Support			
23	1	325207197/0	Cover			To S/N 22KA3RON
23	1	325207197/1	Cover		From S/N 22KA3RON	007792
24	1	325207198/0	Cover			To S/N 22KA3RON
24	1	325207198/1	Cover		From S/N 22KA3RON	007132
25	1	325207199/0	Cover			To S/N 22KA3RON
25	1	325207199/1	Cover		From S/N 22KA3RON	007132
26	4	112735403/0	Screw			
27	1	325207196/0	Cover			To S/N 22KA3RON
27	1	325207196/1	Cover		From S/N 22KA3RON	007793
28	1	112437506/0	Plate			
29	3	125943016/0	Screw			
30	1	325120288/0	Dashboard			To S/N 22GA3RON
30	1	325120288/1	Dashboard Cover		From S/N 22GA3RON 000468	
33	1	325207191/0	Plate	Not needed for Hydro Model		To S/N 22KA3RON
33	1	325207191/1	Plate	Not needed for Hydro Model	From S/N 22KA3RON 007793	
34	2	125943016/0	Screw			
35	2	325260003/0	Grommet			
36	1	382185516/0	Right Light Grill			
37	1	382185517/0	Left Light Grill			
38	1	325785298/0	Dashboard Support			
39	4	125943016/0	Screw			
40	2	325270325/0	Guide			



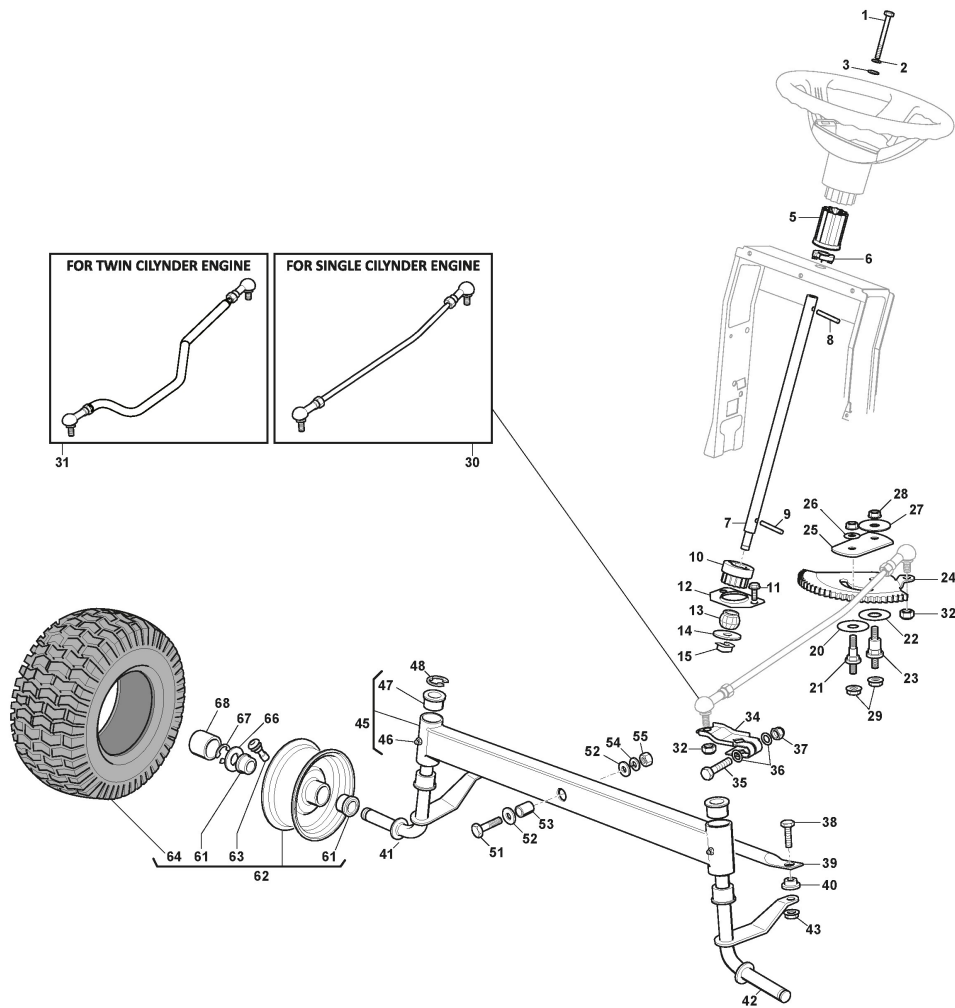
Body Work

Ref.nr.	Antal	Komponentkode	Beskrivelse	Noter	From	Op til
41	6	112735599/0	Screw			
42	3	112735406/0	Screw			
43	3	112523040/0	Washer			
44	1	382869037/0	Muffler Protection			
45	4	112735599/0	Screw			
46	1	114367495/1	Label			
47	2	114372972/0	Denomination Label "ESTATE"	Only for STIGA Brand		



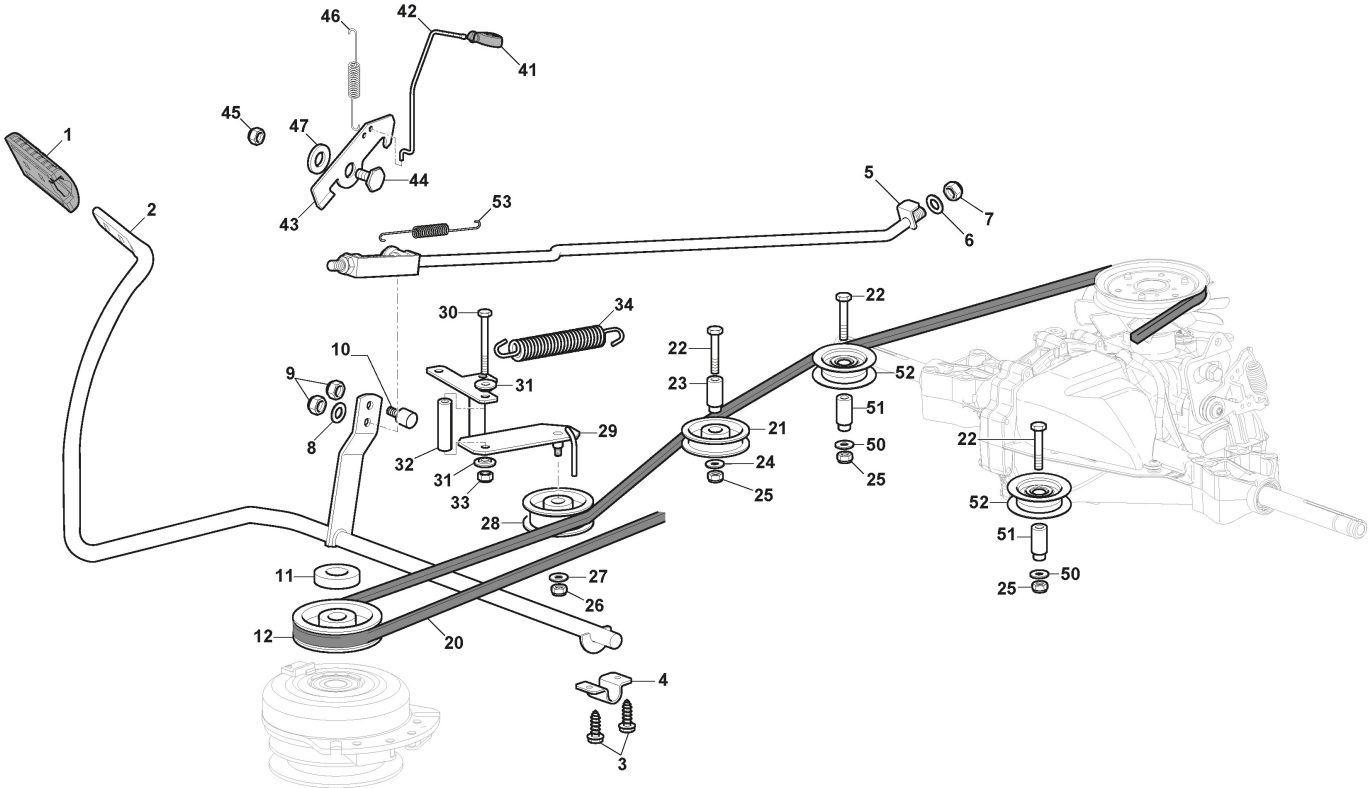
Steering - Sheet Metal Front Axle

Ref.nr.	Antal	Komponentkode	Beskrivelse	Noter	From	Op til
1	1	112692100/0	Screw			
2	1	112540260/0	Washer			
3	1	112521360/0	Washer	Not for STIGA Brand Machine		
5	1	382785304/0	Support			
6	1	325038008/0	Bushing			
7	1	125520018/0	Steering Column			
8	1	112620300/0	Spring			
9	1	112622650/0	Dowel pin			
10	1	125570003/0	Pinion			
11	2	127943051/0	Screw			
12	1	325785213/1	Support			
13	1	325743000/0	Joint			
14	1	112521370/0	Washer			
15	1	112436030/0	Plate			
20	1	322672151/0	Antifriction Washer			
21	1	125510173/0	Pin			
22	1	125670023/0	Washer			
23	1	125510165/0	Pin			
24	1	325735519/0	Steering Sector			
25	1	325547233/0	Plate			
26	1	112369500/0	Elastic Washer			
27	1	122160400/0	Elastic Disc			
28	2	112155010/0	Nut			
29	2	112155010/0	Nut			
30	1	382000566/2	Steering Rod	for Single Cilynder Engine		
32	2	112156602/0	Nut			
34	1	382318323/0	Steering Control Lever			
35	1	112692395/2	Screw			
36	2	112521360/0	Washer			
37	1	112155020/0	Nut			
38	2	125510103/0	Pin			
39	1	325840029/0	Tie Rod	Steel		
40	2	325038007/0	Bushing			
41	1	382230373/1	Right Stub Axle	15"		
42	1	382230375/1	Left Stub Axle	15"		
43	2	112155000/0	Nut			
45	1	382034029/0	Rod	Steel		
46	2	112379511/0	Grease Dispenser			
47	4	125034002/1	Bushing			
48	1	112001010/0	Benzing Ring			
51	1	112692695/0	Screw			
52	2	112523100/0	Washer			
53	1	125160016/1	Spacer			
54	1	112587100/0	Grower			
55	1	112295300/0	Nut			
61	4	125122200/2	Bearing			
62	2	382680078/0	Wheel Assy	15" - P519		
63	2	125950000/0	Valve			



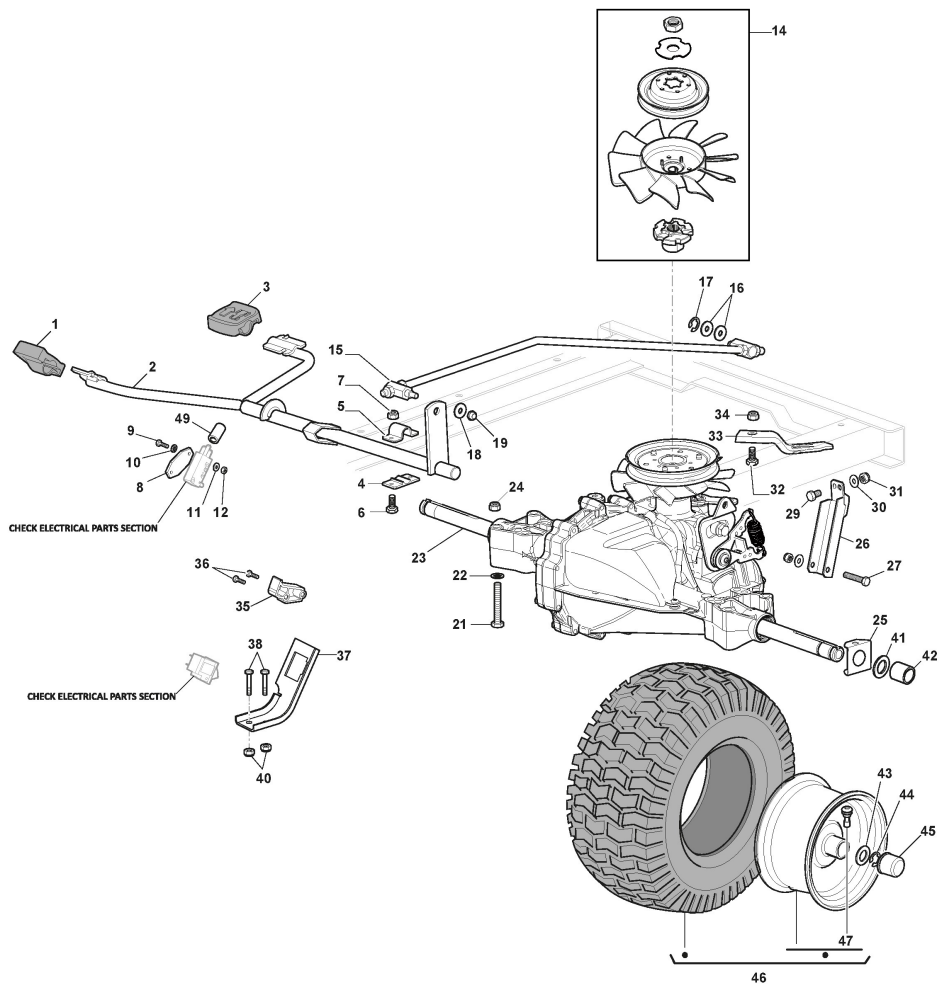
Steering - Sheet Metal Front Axle

Ref.nr.	Antal	Komponentkode	Beskrivelse	Noter	From	Op til
64	2	125590020/0	Tyre	15"		
66	2	125670005/2	Washer			
67	2	112001010/0	Benzing Ring			
68	2	322110240/0	Hub Cap			



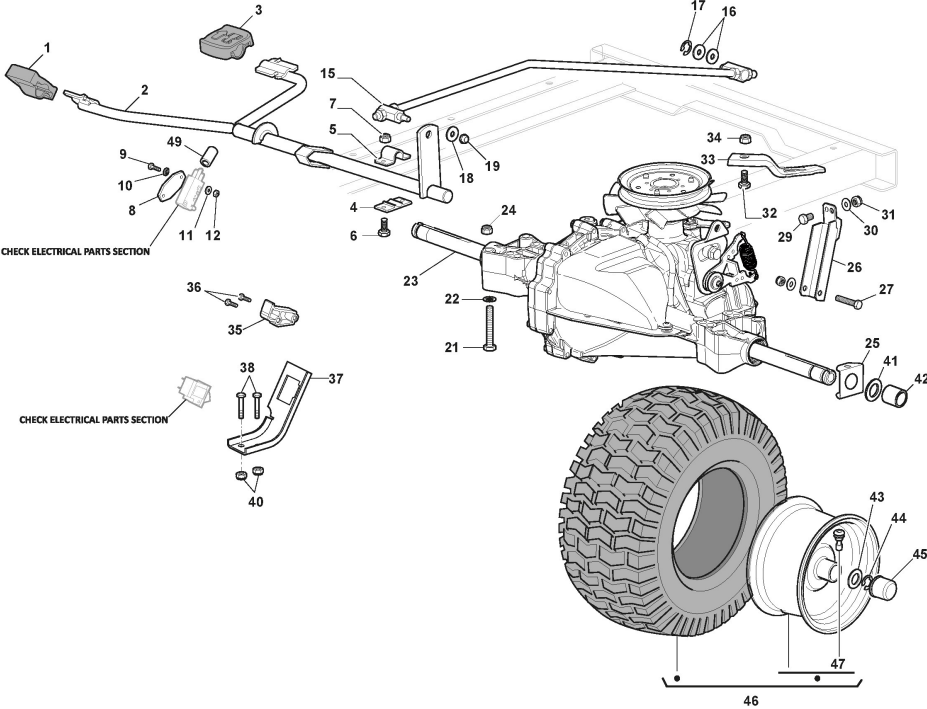
Brake And Gearbox Controls

Ref.nr.	Antal	Komponentkode	Beskrivelse	Noter	From	Op til
1	1	325110409/0	Clamp Cover			
2	1	382000641/1	Pedal			
3	4	112735599/0	Screw			
4	2	325547231/1	Plate			
5	1	382000636/0	Rod			To
5	1	382000636/1	Brake Rod Assy		From	07-Novemb er-2021
6	1	112521360/0	Washer			
7	1	112156602/0	Nut			
8	1	325670011/0	Antifriction Washer			
9	2	112155000/0	Nut			
10	1	125510166/0	Pin			
11	1	125160021/0	Spacer			
12	1	125601577/0	Pulley			
20	1	135062020/1	Trapezoidal Belt			
21	1	125601613/0	Pulley	(Plastic)		
21	1	325601599/0	Pulley	(Steel)		
22	3	112691400/0	Screw			
23	1	125160107/0	Spacer			
24	3	112523060/0	Washer			
25	3	112155000/0	Nut			
26	1	112155000/0	Nut			
27	1	112523060/0	Washer			
28	1	125601554/0	Pulley			
29	1	382318245/1	Tightener Lever			
30	1	112691600/0	Screw			
31	2	125038021/0	Bushing			
32	1	125160027/0	Spacer			
33	1	112155000/0	Nut			
34	1	125430262/0	Spring			
41	1	125394509/1	Knob			
42	1	125033113/0	Rod			
43	1	325253011/1	Hook			
44	1	122524970/3	Pin			
45	1	112155000/0	Nut			
46	1	125430213/0	Spring			
47	1	112523060/0	Washer			
50	2	112521350/0	Washer			
51	2	125160111/0	Spacer			
52	2	125601608/0	Pulley	(Steel)		
52	2	125601612/0	Pulley	(Plastic)		
53	1	125430269/1	Spring			To S/N
53	1	125430269/2	Spring		From S/N 22AA3RON 021448	22AA3RON 021448



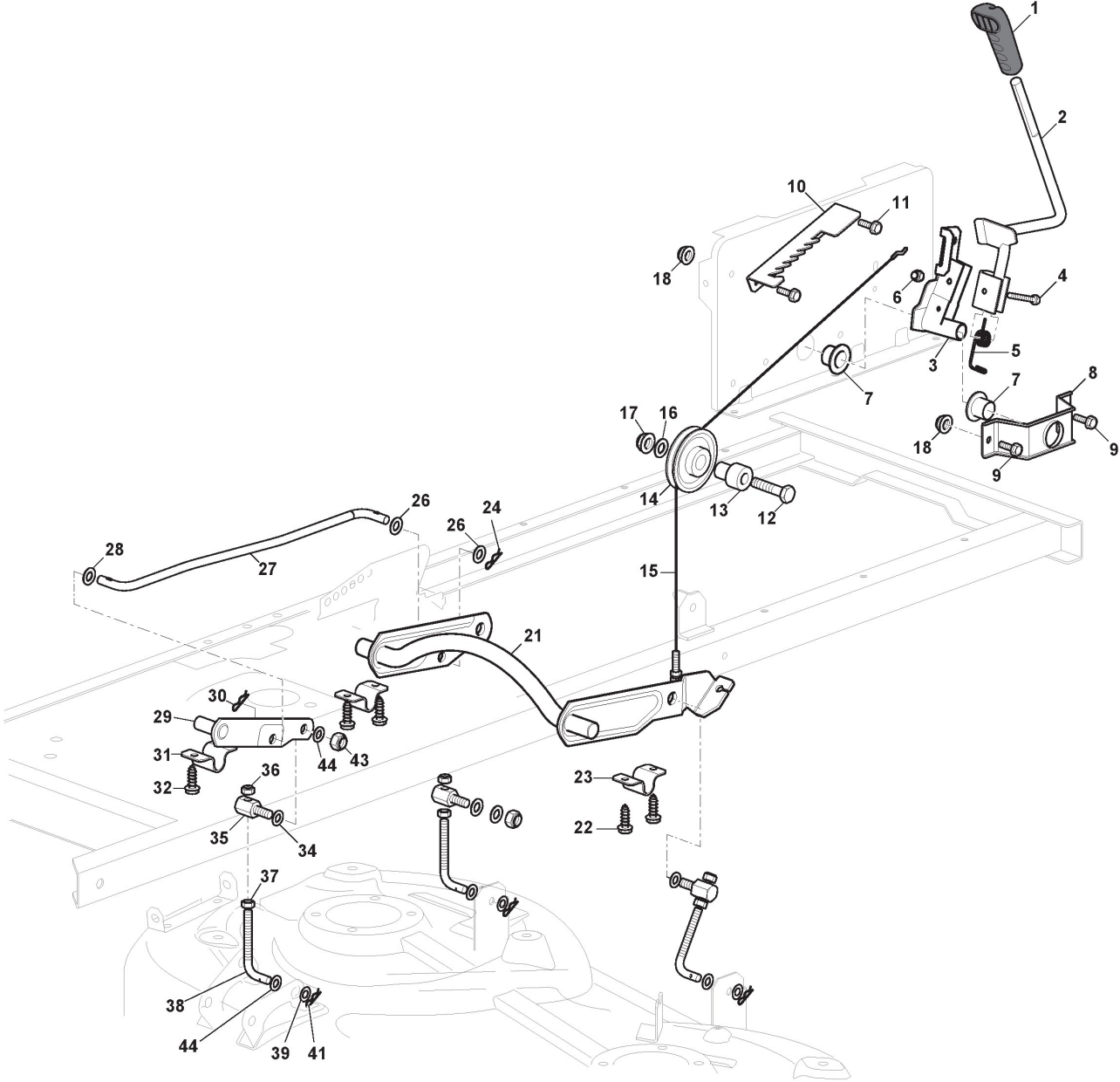
Hydrostatic Transmission - Hydrogear

Ref.nr.	Antal	Komponentkode	Beskrivelse	Noter	From	Op til
1	1	325110274/0	Clamp Cover Front			
2	1	382000574/2	Drive Pedal			
3	1	325110331/0	Clamp Cover Rear			
4	2	325785350/0	Support			
5	2	325547231/1	Plate			
6	4	112791213/1	Screw			
7	4	112154510/0	Nut			
8	1	327546019/0	Neutral Switch Fixing Plate			
9	2	112735602/0	Screw			
10	2	112540020/0	Washer			
11	2	112581100/0	Grower			
12	2	112290791/0	Nut			
14	1	1139-2201-01	Kit, Fan Pulley			
15	1	382000573/1	Rod			
16	2	325670011/0	Antifriction Washer			
17	1	112000940/0	Benzing Ring			
18	1	112523040/0	Washer			
19	1	112154510/0	Nut			
21	4	112691600/0	Screw			
22	4	112521350/0	Washer			
23	1	118400921/0	Rear Axle (Hydro-Gear T2-Adbf-2X3C-1Rx1)	From S/N 23AA3RON013088 check the trasmission label		
24	4	112155000/0	Nut			
25	2	325670026/0	Washer			
26	1	325785349/1	Support			
27	1	112691700/0	Screw			
29	1	112792611/0	Screw			
30	2	112523060/0	Washer			
31	2	112155000/0	Nut			
32	1	112791213/1	Screw			
33	1	325318251/0	Lever			
34	1	112154510/0	Nut			
35	1	325060034/1	Cam			
36	2	112735403/0	Screw			
37	1	325774573/0	Clamp			
38	2	112791400/0	Screw			
40	2	112154510/0	Nut			
41	2	125670005/2	Washer			
42	2	125160058/1	Spacer			
43	6	125670005/2	Washer			
44	2	112001010/0	Benzing Ring			
45	2	322110240/0	Hub Cap	Stiga Style		
46	2	382680083/0	Wheel Assy			
47	2	125950000/0	Valve			
49	2	118203851/0	Cap			



Hydrostatic Transmission - Loncin

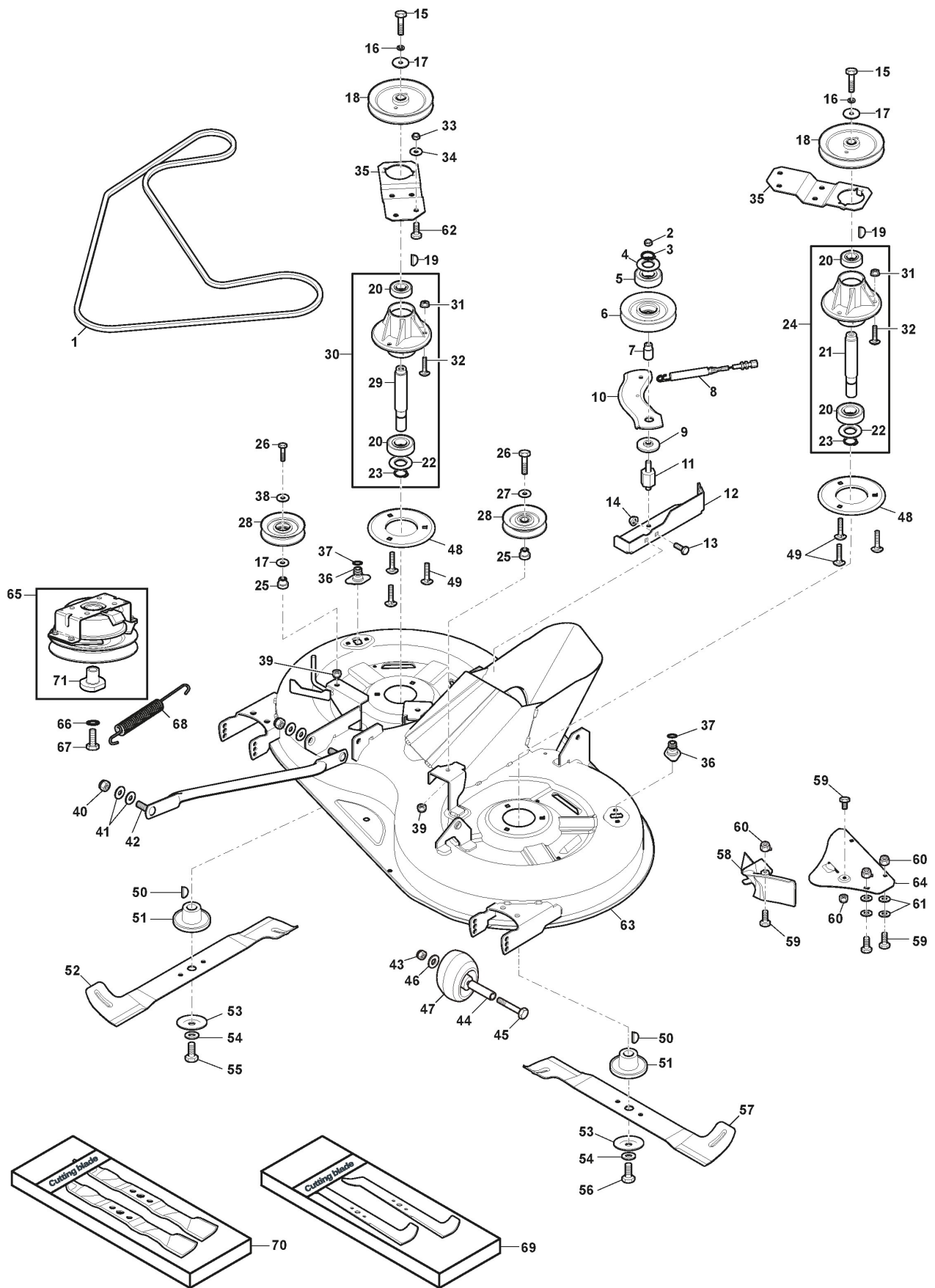
Ref.nr.	Antal	Komponentkode	Beskrivelse	Noter	From	Op til
1	1	325110274/0	Clamp Cover Front			
2	1	382000574/2	Drive Pedal			
3	1	325110331/0	Clamp Cover Rear			
4	2	325785350/0	Support			
5	2	325547231/1	Plate			
6	4	112791213/1	Screw			
7	4	112154510/0	Nut			
8	1	327546019/0	Neutral Switch Fixing Plate			
9	2	112735602/0	Screw			
10	2	112540020/0	Washer			
11	2	112581100/0	Grower			
12	2	112290791/0	Nut			
15	1	382000573/1	Rod			
16	2	325670011/0	Antifriction Washer			
17	1	112000940/0	Benzing Ring			
18	1	112523040/0	Washer			
19	1	112154510/0	Nut			
21	4	112691600/0	Screw			
22	4	112521350/0	Washer			
23	1	118401021/0	Hydrostatic Transmission			
24	4	112155000/0	Nut			
25	2	325670026/0	Washer			
26	1	325785349/1	Support			
27	1	112691700/0	Screw			
29	1	112792611/0	Screw			
30	2	112523060/0	Washer			
31	2	112155000/0	Nut			
32	1	112791213/1	Screw			
33	1	325318251/0	Lever			
34	1	112154510/0	Nut			
35	1	325060034/1	Cam			
36	2	112735403/0	Screw			
37	1	325774573/0	Clamp			
38	2	112791400/0	Screw			
40	2	112154510/0	Nut			
41	2	125670005/2	Washer			
42	2	125160058/2	Spacer			
43	6	125670005/2	Washer			
44	2	112001010/0	Benzing Ring			
45	2	322110233/0	Hub Cover			
45	2	322110240/0	Hub Cap			
46	2	382680083/0	Wheel Assy			
46	2	382680104/0	Wheel Assy			
47	2	125950000/0	Valve			
49	2	118203851/0	Cap			



Cutting Plate Lifting

Ref.nr.	Antal	Komponentkode	Beskrivelse	Noter	From	Op til
1	1	325394533/0	Knob			
2	1	382318255/0	Lever			
3	1	382318231/1	Lifting Axle Assy			
4	1	112674700/0	Screw			
5	1	125430261/0	Spring			
6	1	112154510/0	Nut			
7	2	325038006/0	Bushing			
8	1	325785297/0	Support			
9	2	112792611/0	Screw			
10	1	325735515/0	Steering Sector			
11	2	112792611/0	Screw			
12	1	112793701/0	Screw			
13	1	125040636/1	Bushing			
14	1	125601579/0	Pulley			
15	1	382004620/0	Wire			
16	1	112523060/0	Washer			
17	1	112293201/0	Nut			
18	4	112155000/0	Nut			
21	1	382318297/1	Axle			
22	4	112735599/0	Screw			
23	2	325547231/1	Plate			
24	1	124487997/0	Cotter Pin			
26	2	325670010/0	Antifriction Washer			
27	1	125033109/0	Connecting Rod			
28	1	325670010/0	Antifriction Washer			
29	1	382318293/1	Axle			
30	1	124487997/0	Cotter Pin			
31	1	325547231/1	Plate			
32	2	112735599/0	Screw			
34	3	325670008/1	Washer			
35	3	125510170/0	Pin			
36	3	112156602/0	Nut			
37	3	112295200/0	Nut			
38	1	125840012/1	Tie Rod			
39	3	325670008/1	Washer			
41	3	124487998/0	Cotter Pin			
43	3	112156602/0	Nut			
44	6	112521360/0	Washer			

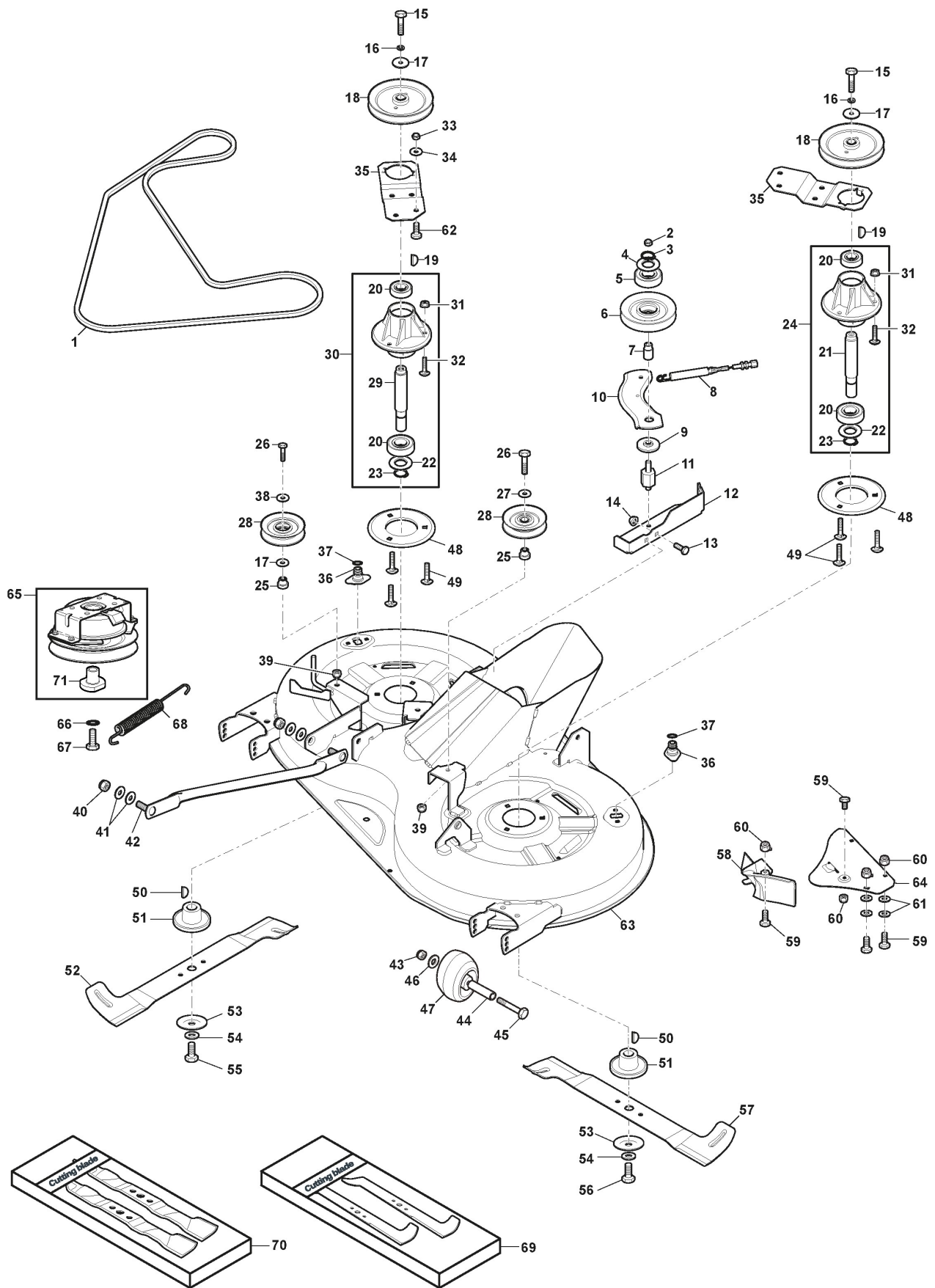
Cutting Plate with Electromagnetic Clutch



Cutting Plate with Electromagnetic Clutch

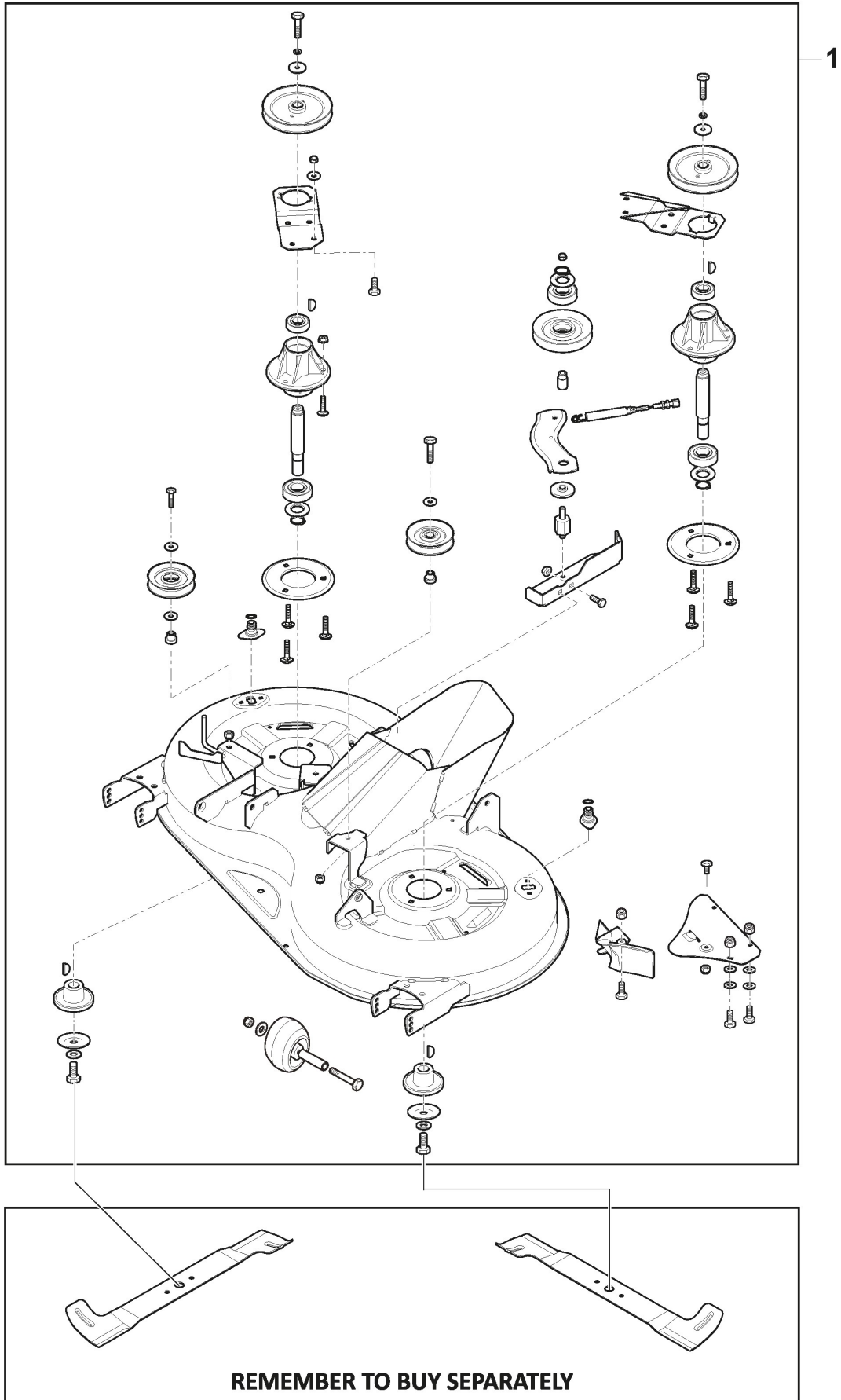
Ref.nr.	Antal	Komponentkode	Beskrivelse	Noter	From	Op til
1	1	135061509/0	V-Belt			
2	1	112293201/0	Nut			
3	1	112524010/0	Washer			
4	1	112610800/0	Seeger			
5	1	119216048/0	Bearing			
6	1	125601595/0	Pulley			
7	1	125160052/0	Spacer			
8	1	382004618/0	Wire			
9	1	125040635/0	Bushing			
10	1	325318343/0	Lever			
11	1	125160049/0	Spacer			
12	1	325785391/0	Bracket			
13	2	112818690/0	Screw			
14	2	112154210/0	Nut			
15	2	112793102/0	Screw			
16	2	112540260/0	Washer			
17	2	125670007/0	Washer			
18	2	125601604/0	Pulley			
19	2	112139480/0	Feather			
20	4	119216047/0	Bearing			
21	1	125020804/0	Shaft			
22	2	325160501/1	Dust Cover Disc			
23	2	112609260/0	Seeger			
24	1	382207204/1	Flange Assy			
25	2	125160110/0	Spacer			
26	2	112691115/0	Screw			
27	2	112524010/0	Washer			
28	2	125601613/0	Pulley	(Plastic)		
28	2	325601599/0	Pulley	(Metal)		
29	1	125020805/0	Shaft			
30	1	382207205/1	Flange Assy			
31	6	112154210/0	Nut			
32	6	112818690/0	Screw			
33	1	112154210/0	Nut			
34	1	112523060/0	Washer			
35	1	325774617/0	Stiffening			
36	2	325033086/0	Water Hose Connection			
37	2	119035000/0	Or Ring			
38	1	112523060/0	Washer			
39	3	112293201/0	Nut			
40	4	112156602/0	Nut			
41	8	325670008/1	Washer			
42	2	382000565/1	Equalizer Rod			
43	2	112293201/0	Nut			
44	2	125160072/0	Spacer			
45	2	112692100/0	Screw			
46	2	112521350/0	Washer			
47	2	182700005/0	Anti Scalp Wheel Ø 90	ø90		To S/N 22FA3RON

Cutting Plate with Electromagnetic Clutch



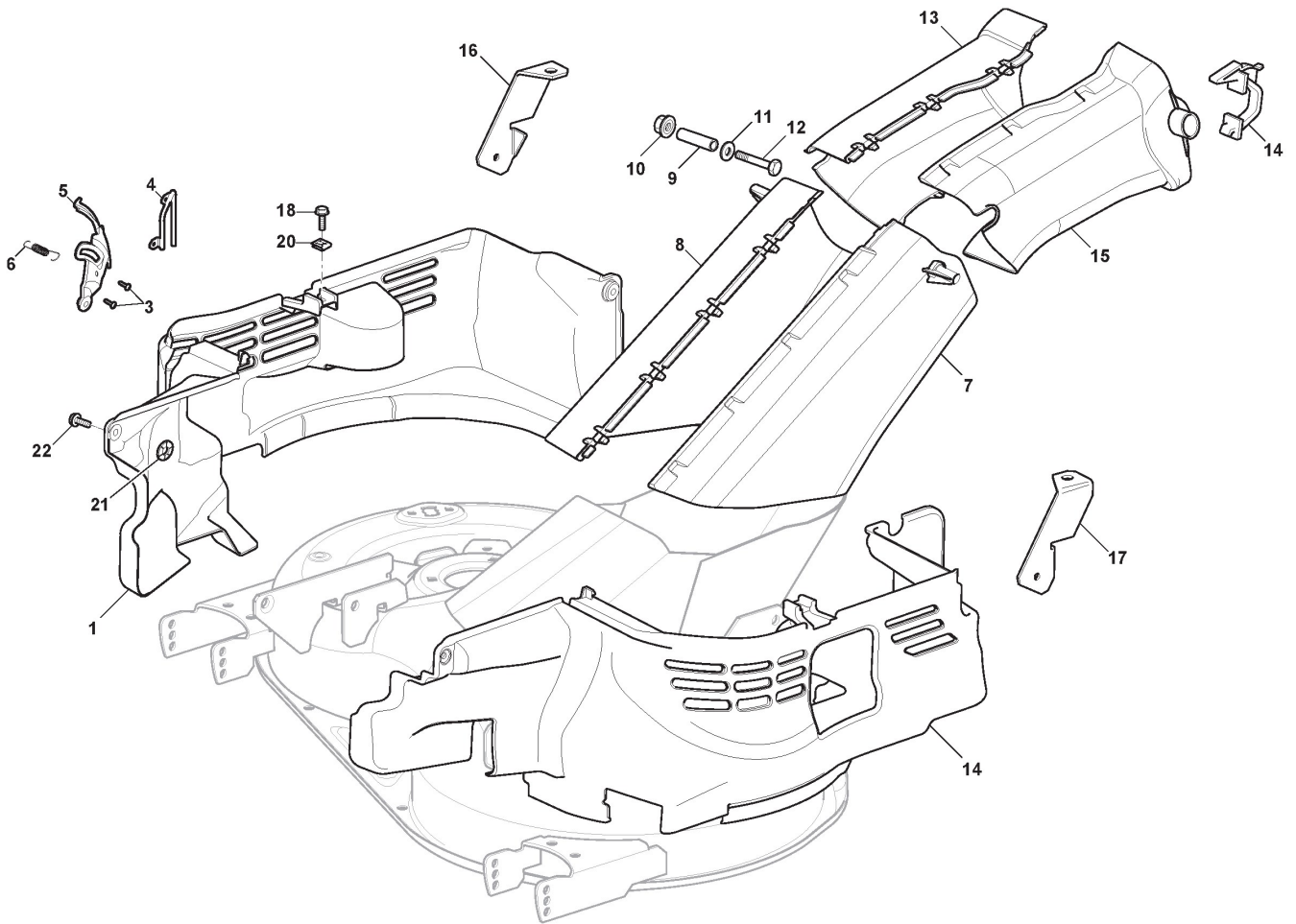
Cutting Plate with Electromagnetic Clutch

Ref.nr.	Antal	Komponentkode	Beskrivelse	Noter	From	Op til
47	2	182700006/0	Anti Scalp Wheel Ø95	ø95	From S/N 22FA3RON 001030	
48	2	325160505/0	Disc			
49	6	112818700/0	Screw			
50	2	112139100/0	Key			
51	2	1134-9159-01	Blade Holder	with STIGA Pack		
51	2	125463200/0	Blade Hub	without Pack		
52	1	182004362/0	Right Blade, Winged	Winged		
52	1	182004364/0	Right Mulching Blade	Mulching		
53	2	122160400/0	Elastic Disc			
54	2	112523080/0	Washer			
55	1	112735695/1	Screw			
56	1	112735694/0	Screw			
57	1	182004346/0	Mulching Blade	Mulching		
57	1	182004363/0	Left Blade, Winged	Winged		
58	1	325140111/0	Deflector			
59	3	112791213/1	Screw			
60	6	112154510/0	Nut			
61	4	112523040/0	Washer			
62	1	112793102/0	Screw			
63	1	382564118/1	Cutting Plate Black			
64	1	325785509/0	Rear Deflector Suppot			
65	1	118399075/1	Electromagnetic Clutch	Ogura		
66	1	112543000/0	Washer			
67	1	112737320/0	Screw			
68	1	125430277/1	Spring			
69	1	1134-9226-01	Winged Blades	Stiga packed into 182004362/0 + 182004363/0		
70	1	1134-9234-01	Mulching Blades	Stiga packed into 182004364/0 + 182004346/0		
71	1	118870395/0	Bush			



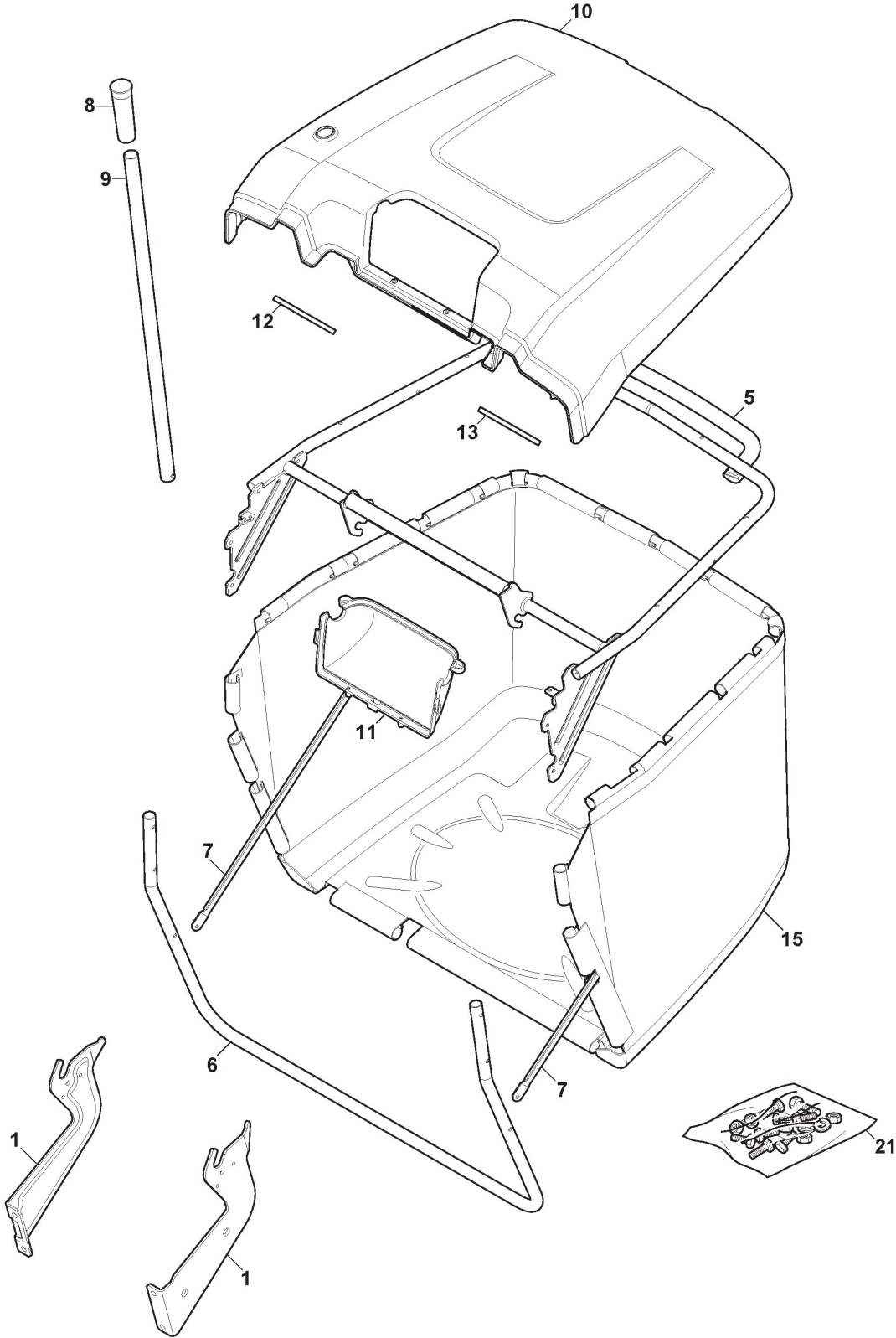
Cutting Deck Assy - MP98

Ref.nr.	Antal	Komponentkode	Beskrivelse	Noter	From	Op til
1	1	382565109/0	Cutting Plate Assy, Black	Black		



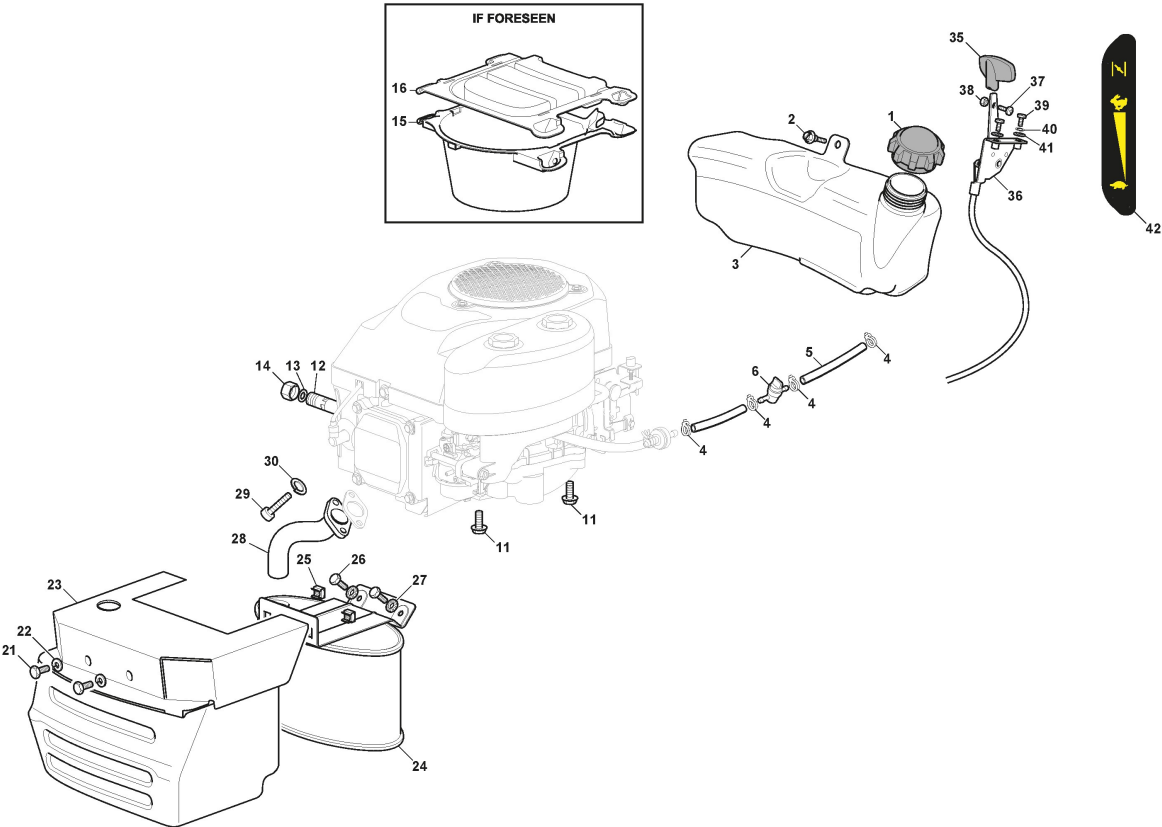
Belt Protections

Ref.nr.	Antal	Komponentkode	Beskrivelse	Noter	From	Op til
1	1	325060174/0	Conveyor			
2	1	325060175/0	Conveyor			
3	2	112735110/0	Screw			
4	1	382270309/0	Bracket			
5	1	325547346/0	Bracket			
6	1	125430213/0	Spring			
7	1	325108065/0	Conveyor			
8	1	325108064/0	Conveyor			
9	2	125160109/0	Spacer			
10	2	112154510/0	Nut			
11	2	112521340/0	Washer			
12	2	112792425/0	Screw			
13	1	325108056/0	Conveyor			
14	2	325774499/0	Clamp			
15	1	325108057/0	Conveyor			
16	1	325774527/0	Clamp			
17	1	325774529/0	Clamp			
18	2	125943010/0	Screw			
20	2	112437506/0	Plate			
21	4	112604899/0	Crown Fastener			
22	4	125943011/0	Screw			



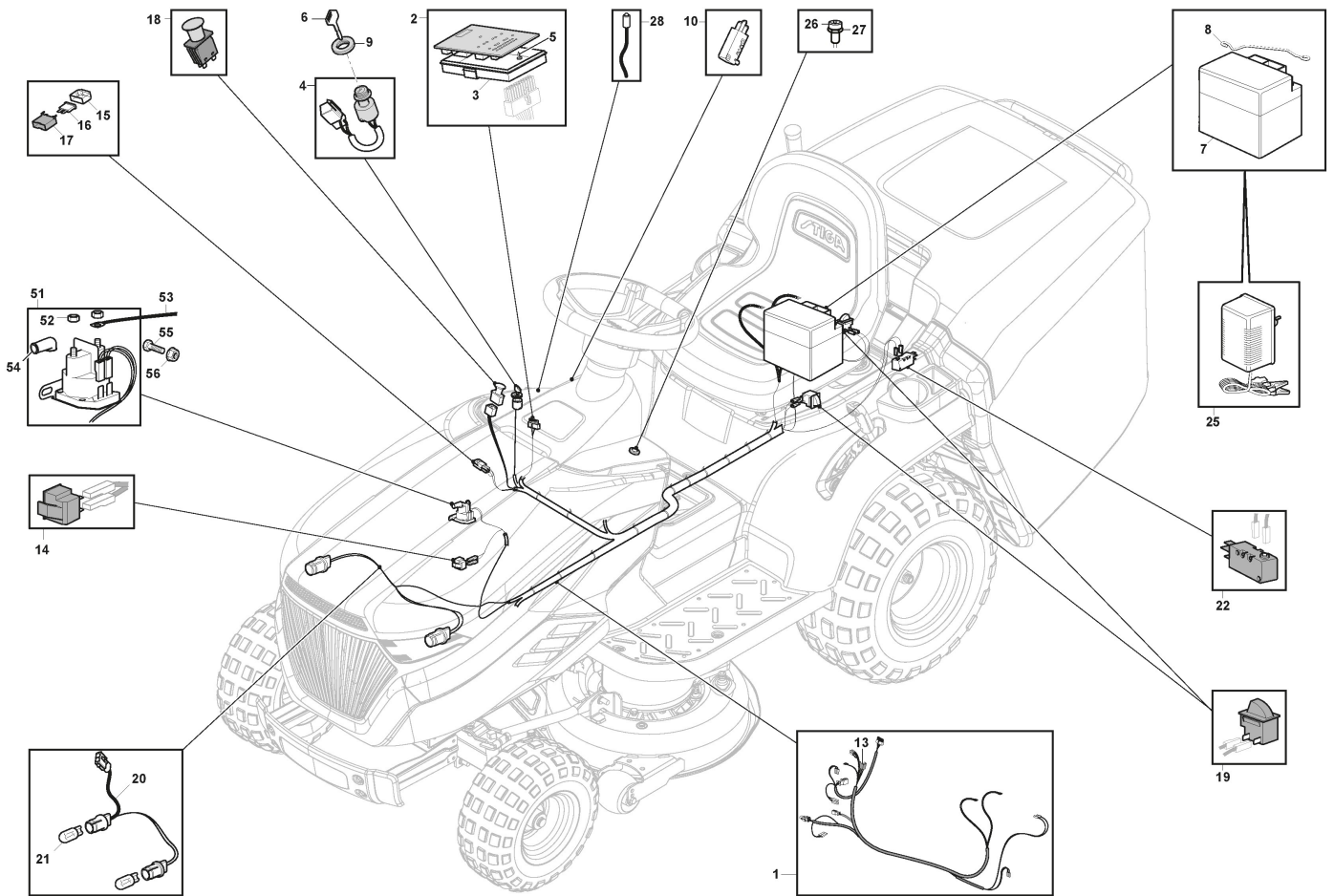
Grasscatcher

Ref.nr.	Antal	Komponentkode	Beskrivelse	Noter	From	Op til
1	1	382785289/1	Support Ass.Y			
5	1	382800139/1	Upper Frame			
6	1	382800141/0	Front Frame			
7	2	325650149/0	Stiffening			
8	1	125394508/0	Knob			
9	1	325869087/1	Rod			
10	1	325110439/2	Yellow Grass-Catcher Cover			
10	1	325110538/0	Yellow Grass-Catcher Cover		From S/N	
11	1	325207195/1	Handle Cover			
12	1	125270802/0	Seal			
13	1	125270803/0	Seal			
15	1	182105947/0	Grasscatcher	Black without Logo		
21	1	382180123/0	Outfit, Screws			



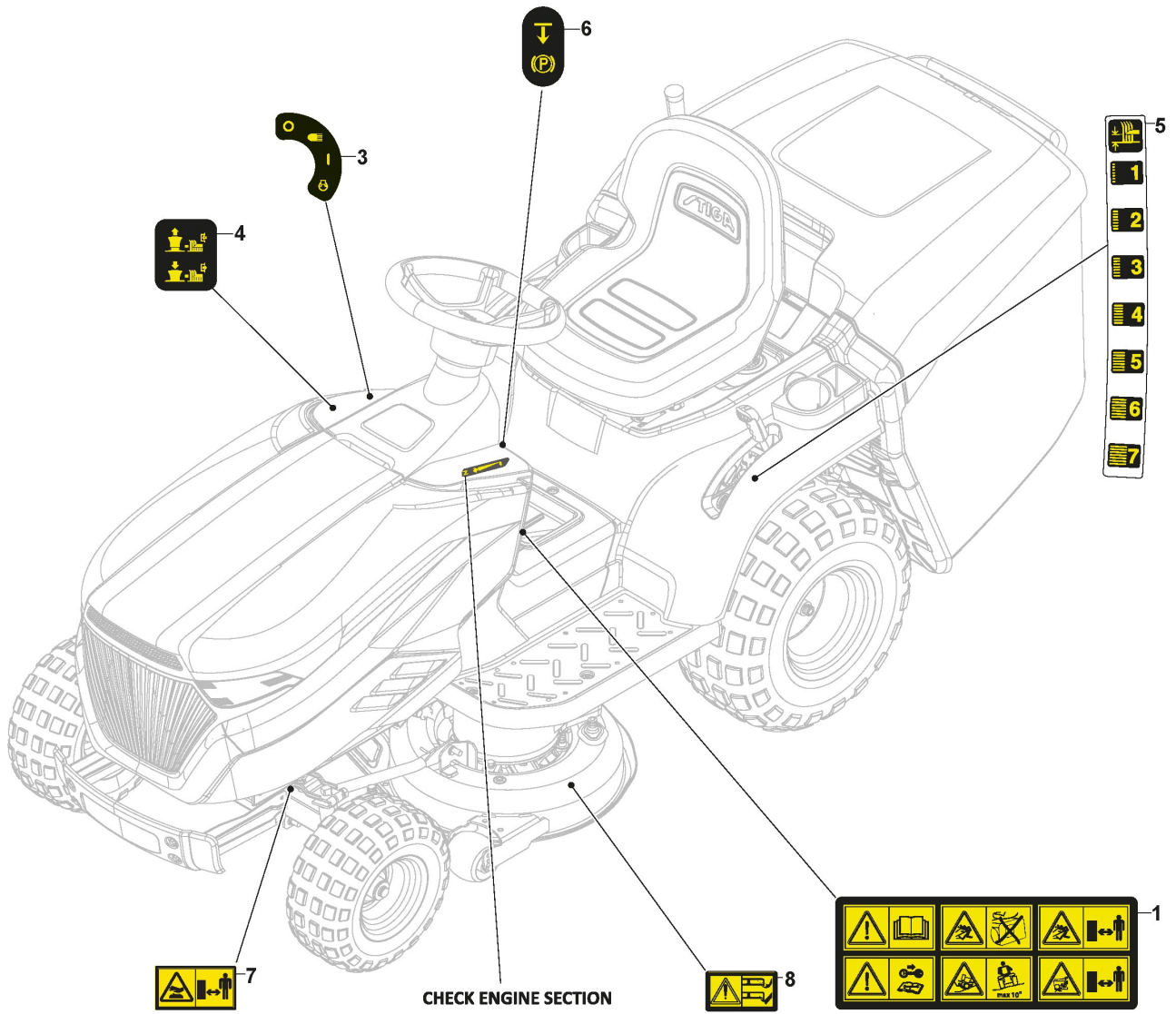
Engine - ST.

Ref.nr.	Antal	Komponentkode	Beskrivelse	Noter	From	Op til
1	1	125795001/1	Cap			
2	4	125943010/0	Screw			
3	1	325735126/0	Fuel Tank			To S/N DD305061
3	1	325735126/1	Tank		From S/N 22000000	
4	4	118375051/1	Fair Led			
5	1	325869057/0	Connecting Tube			
6	1	118562996/0	Shut out valve			To S/N 21GA3RON 003918
6	1	118566119/0	Shut out valve		From S/N 21GA3RON	
11	4	112735108/1	Screw			
12	1	127598060/0	Oil Discharge Extension			
13	1	118401001/1	Oil Seal			
14	1	118737849/0	Plug			
15	1	325108044/1	Conveyor	if foreseen in assortment		
16	1	325263302/1	Air Intake Grill	if foreseen in assortment		To 000000
16	1	325263318/0	Air Intake Grill	if foreseen in assortment	From 01-July-202 1	
21	2	112792611/0	Screw			
22	2	112540260/0	Washer			
23	1	382598045/0	Muffler Protection			To S/N 22LA3RON
23	1	382598045/1	Muffler Protection		From S/N 19GA3RON	To S/N 22LA3RON
23	1	382598045/2	Muffler Protection		From S/N 200516	004030
24	1	182750010/0	Muffler			
25	2	112360425/0	Nut			
26	2	112792611/0	Screw			
27	2	112540260/0	Washer			
28	1	118738231/1	Exhaust Tube			To S/N 22KA3RON 013347
28	1	118738231/2	Exhaust Connection Tube		From S/N 22KA3RON	
29	2	112737450/0	Screw			
30	2	112540260/0	Washer			
35	1	325394531/0	Knob			
36	1	182000215/0	Accelerator			
37	1	112726388/0	Screw	White Galvanized		
37	1	112726389/0	Screw	Black Galvanized		
38	1	112290800/0	Nut			
39	2	112726388/0	Screw	White Galvanized		
39	2	112726389/0	Screw	Black Galvanized		
40	2	112540020/0	Washer			
41	2	112521310/0	Washer			
42	1	114363697/0	Label			



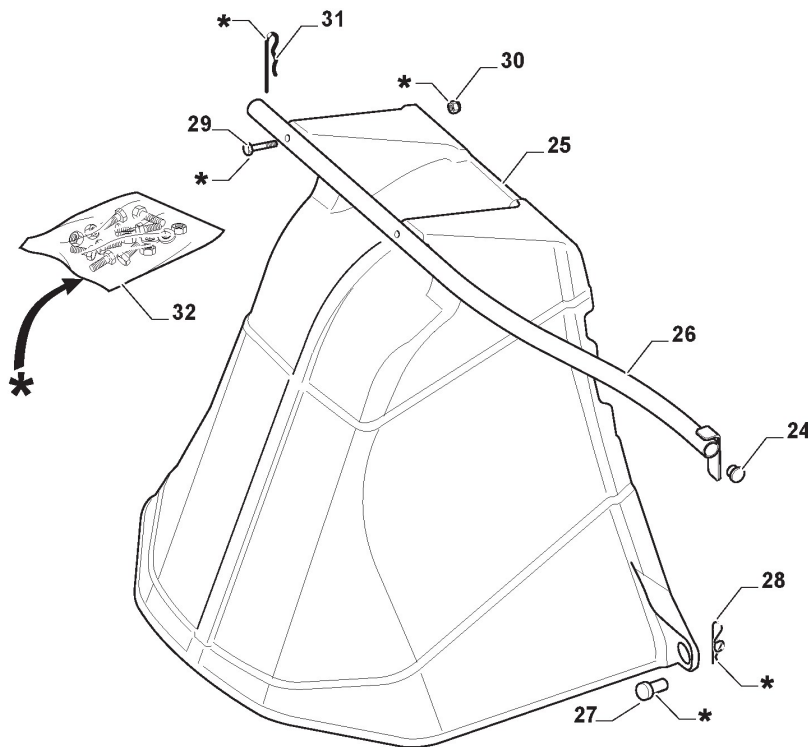
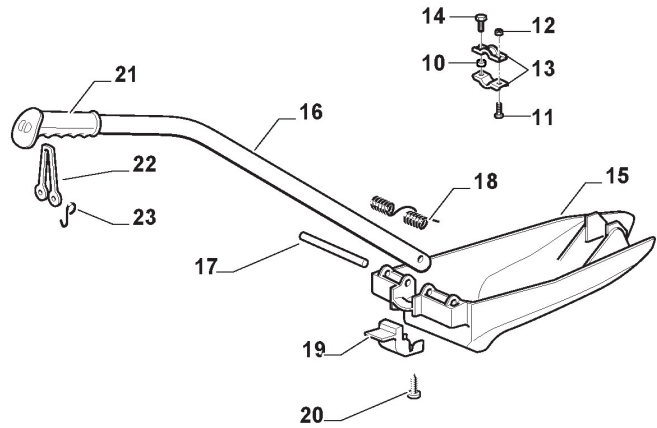
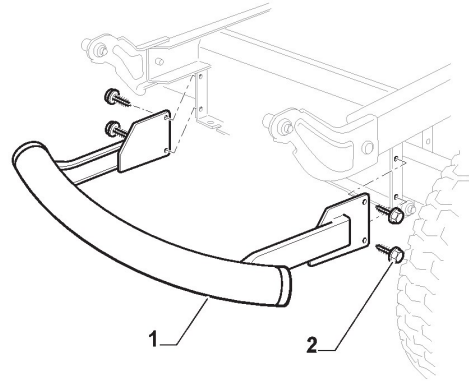
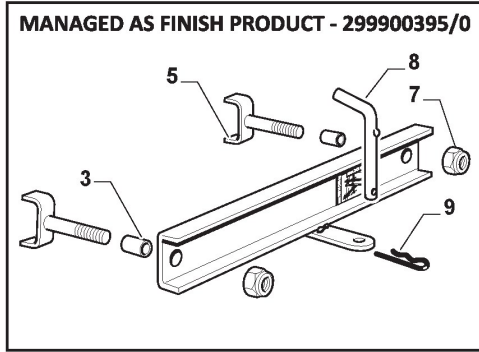
Electrical Parts

Ref.nr.	Antal	Komponentkode	Beskrivelse	Noter	From	Op til
1	1	182040199/1	Cables Ass.Y			To S/N 23BA3RON 012712
1	1	182040199/2	Complete Wiring Assembly		From S/N 23BA3RON	
2	1	382722472/1	Electronic Card	"LS" marked		
2	1	382722476/0	Electronic Card	"WW" marked		To S/N 23BA3RON
2	1	382722476/1	Electronic Card	"WW" marked	From S/N 23AA3RON 005478	
3	1	325600090/1	Card Protection			
4	1	118450075/1	Starting Switch			
5	3	112735105/0	Screw			
6	1	118210023/0	Starting Key			
7	1	118120007/0	Battery			
8	1	125430265/1	Spring			
9	1	118400863/0	Screwed Ring			
10	1	119410609/1LC	Micro Switch			
13	1	133567000/0	Relay	Only for Honda Engines		
14	1	119410623/0	Microswitch			
15	2	133215000/0	Cover			
16	2	133340036/0	Fuse 25 A	25A		
16	2	133340040/0	Fuse 10 A	10A		
17	2	133500007/0	Fuse Carrier			
18	1	118450073/0	Clutch Switch	Yellow		
19	2	119410622/1	Microswitch			To S/N 23BA3RON 011714
19	2	119410633/0	Microswitch		From S/N 23BA3RON	
20	1	182040186/0	Cable			
21	2	118459104/0	LED Lamp	LED Light Bulb		
22	1	119410605/1	Microswitch			
25	1	182180190/0	Battery Charger Kit UK-CE Plug	CE + BS Plug		To S/N 22LA3RON
25	1	182180190/1	Battery Charger Kit UK-CE Plug	CE + BS Plug	From S/N 22LA3RON 011277	
26	1	325605003/0	Button			
27	2	325256250/0	Screwed Ring			
28	1	182040174/0	Led Wiring Assy	LED cable for alarm on dashboard		
51	1	118736112/0	Solenoid			
52	2	112361005/0	Nut			
53	1	125065002/0	Cable			
54	1	118564864/1	Protection			
55	1	112790781/0	Screw			
56	2	112154510/0	Nut			



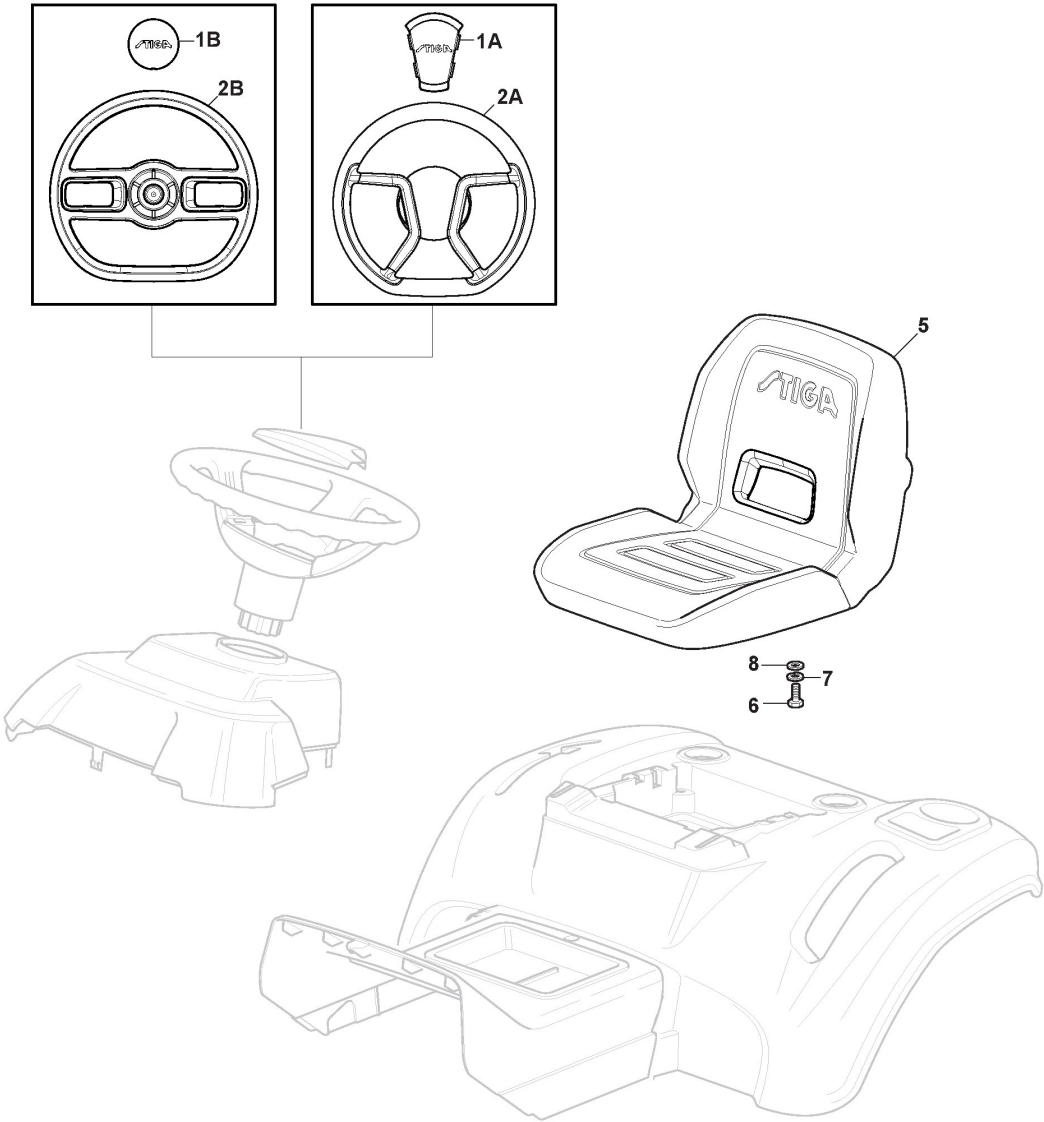
Labels

Ref.nr.	Antal	Komponentkode	Beskrivelse	Noter	From	Op til
1	1	114361553/1	Label	No more used from 01.11.2022		
3	1	114363699/0	Label			
4	1	114361438/0	Label			
5	1	114363701/0	Label			To
5	1	114366142/0	Label		From 01-September-2014	
6	1	114363700/0	Label			
7	1	114364961/3	Label			
8	1	114356699/1	Label			



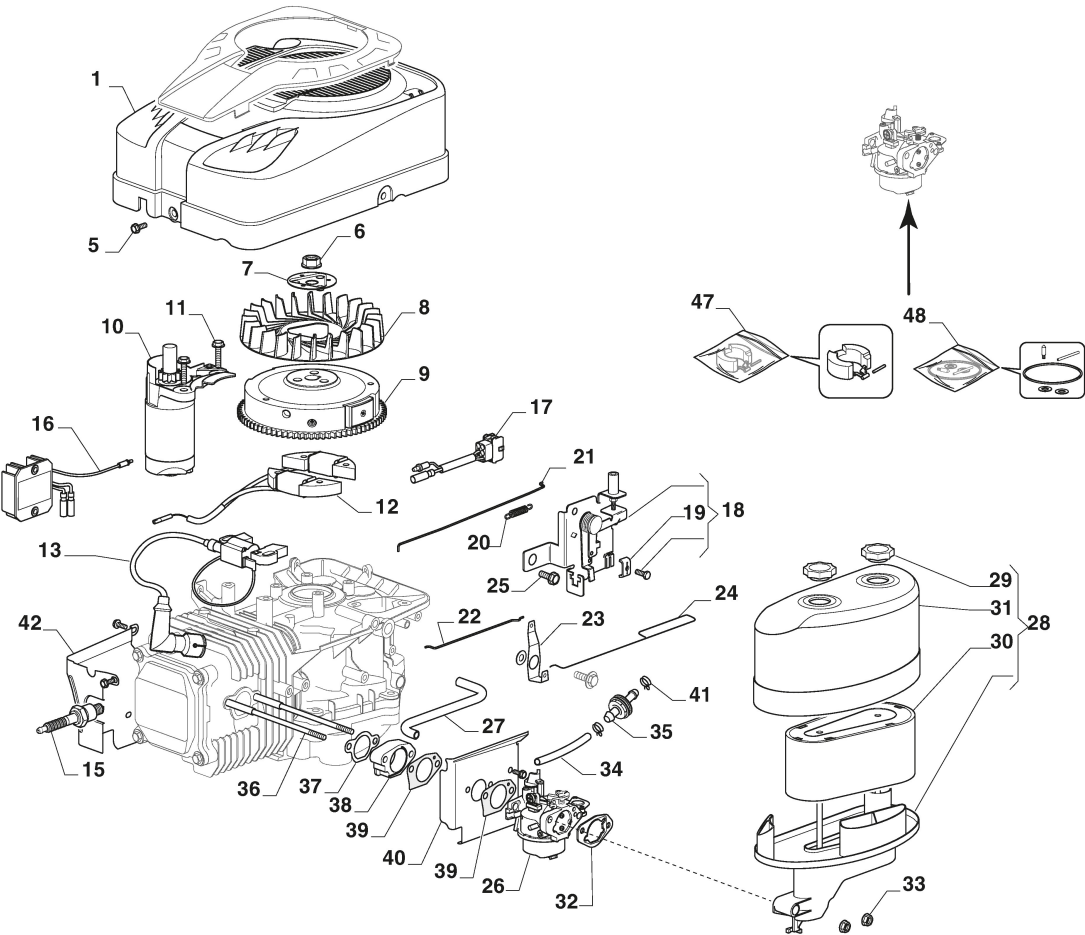
Optionals On Request

Ref.nr.	Antal	Komponentkode	Beskrivelse	Noter	From	Op til
1	1	382869038/0	Muffler Protection			
2	4	112735599/0	Screw			
3	2	125160074/0	Spacer			To S/N
3	2	125160108/0	Spacer		From S/N	19JA3RON
5	2	382650211/0	Stiffening			001409
7	2	112155000/0	Nut			
8	1	125510021/1	Hitch Pin			
9	1	124487999/0	Spring Pin			
10	1	122170600/0	Spacer			
11	1	112792099/0	Screw			
12	3	112292102/0	Nut			
13	2	327546015/2	Plate			
14	1	112791400/0	Screw			
15	1	325140112/0	Deflector			
16	1	325394021/0	Handle			
17	1	125510077/0	Pin			
18	1	125430245/0	Spring			
19	1	325547414/0	Plate			
20	1	112735403/0	Screw			
21	1	325280000/1	Handgrip			
22	1	125840011/1	Tie Rod			
23	2	125253004/0	Mulch.Kit Fixing Hook			
24	2	118566112/0	Polyethylene Push Road Ivars D=20inch			
25	1	325600093/0	Ejection Guard			To
25	1	325600093/1	Ejection Guard		From	
26	1	382869044/0	Support		01-Septem	
27	2	125510022/1	Pin		ber-2017	
28	2	124487998/0	Cotter Pin			
29	2	112689515/0	Screw			
30	2	112154510/0	Nut			
31	1	124487999/0	Spring Pin			
32	1	382180028/0	Outfit, Screws			



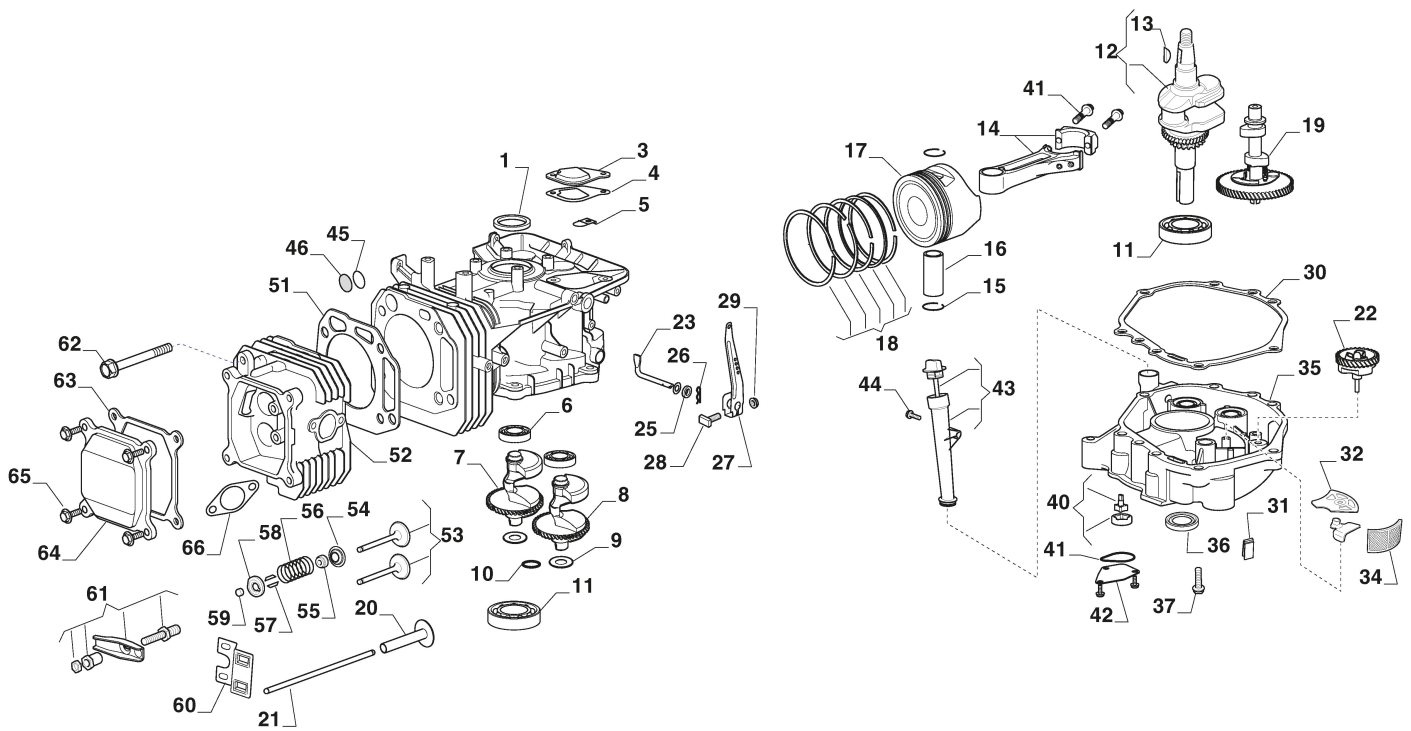
Seat & Steering Wheel

Ref.nr.	Antal	Komponentkode	Beskrivelse	Noter	From	Op til
1A	1	325580510/0	Steering Plate Cover			
1B	1	325580511/0	Steering Plate Cover			
2A	1	325961226/0	Steering wheel			
2B	1	325961227/0	Steering wheel			
5	1	125722486/0	Seat			
6	4	112792611/0	Screw			
7	4	112540260/0	Washer			
8	4	112523060/0	Washer			



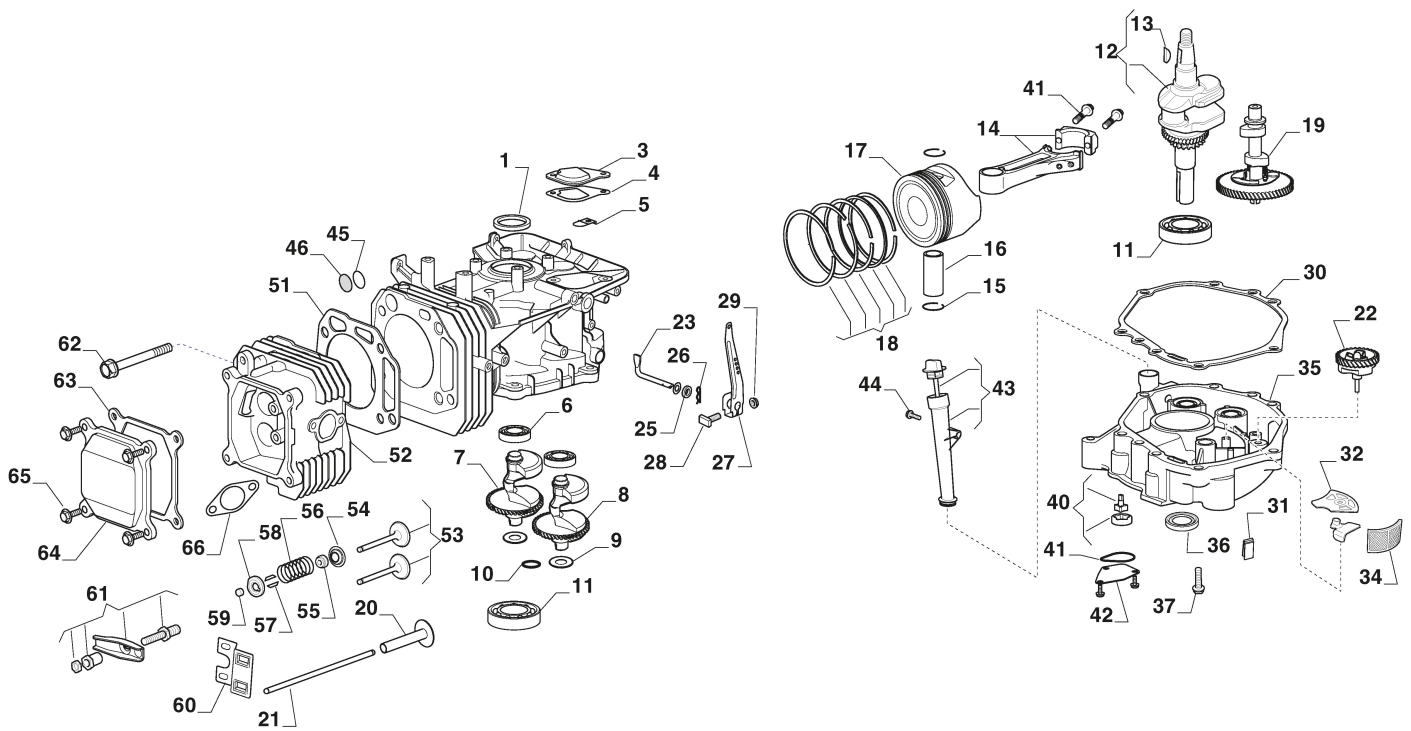
Engine - Carburettor, Tank

Ref.nr.	Antal	Komponentkode	Beskrivelse	Noter	From	Op til
1	1	118550516/0	Cover			
5	4	112791213/1	Screw			
6	1	118550237/0	Nut			
7	1	118550236/0	Starter Cup			
8	1	118550235/1	Flywheel Fan			
9	1	118550234/2	Flywheel Ass.Y			
10	1	118552635/0	Start Motor Assy			
11	2	112691100/0	Screw			
12	1	118552672/0	Coil Assy, Charge			
13	1	118551438/0	Electronic Coil			
15	1	9400-0244-00	Spark Plug			
16	1	118551428/1	Rectifier			
17	1	118551439/0	Output Wire, Rectifier			
18	1	118550331/1	Remote Control Assy			
19	1	118550212/0	Casing Clamp			
20	1	118550213/0	Spring			
21	1	118551219/0	Governor Link			
22	1	118551218/0	Rod Choke			
23	1	118551267/0	Bracket			
24	1	118551221/0	Throttle Rod			
25	2	118551277/0	Bolt			
26	1	118552606/0	Carburetor			
27	1	118550225/1	Breather Fuel Pipe			
28	1	118550202/2	Air Cleaner Assy			
29	2	118550201/0	Knob			
30	1	118550199/0	Air Filter			
31	1	118550200/0	Air Cleaner Cover			
32	1	118550762/0	Air Filter Gasket			
33	2	112292102/0	Nut			
34	1	118551514/0	Fuel Pipe			
35	1	118550354/1	Fuel Filter			
36	2	118551279/0	Double-Screw Bolt			
37	1	118551263/0	Intake Manifold Gasket			
38	1	118551265/0	Intake Manifold			
39	2	118551262/0	Carburetor Gasket			
40	1	118551259/0	Guard			
41	2	118552508/0	Clamp, Fuel Line			
42	1	118551260/0	Guard			
47	1	118550440/0	Kit Repair, Carburettor			
48	1	118550442/0	Carburettor Gasket Set			



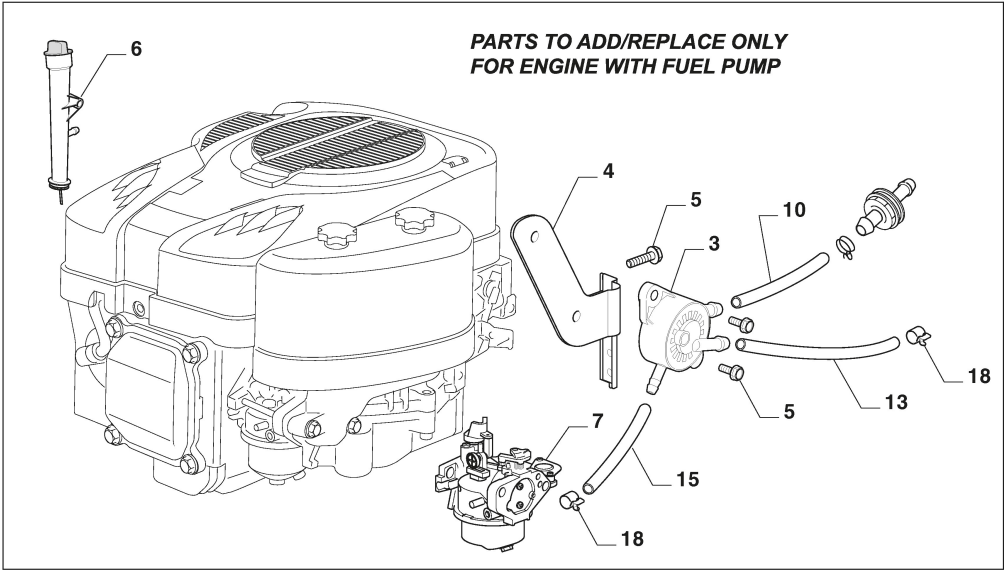
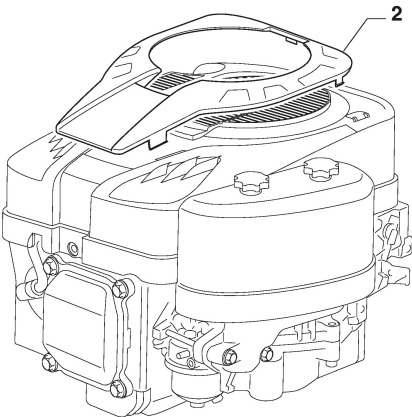
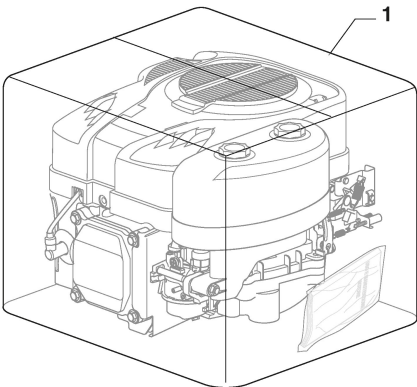
Engine - Piston, Crankshaft

Ref.nr.	Antal	Komponentkode	Beskrivelse	Noter	From	Op til
1	1	118550443/0	Oil Seal			
2	1	118551224/0	Crankase			
3	1	118551227/0	Cover			
4	1	118551229/0	Gasket			
5	1	118550303/0	Plate			
6	2	118551284/0	Bearing			
7	1	118551242/0	Counterweight			
8	1	118551243/0	Counterweight			
9	2	118551282/0	Washer			
10	1	118551286/0	O Ring			
11	2	118550227/0	Ball Bearing			
12	1	118550232/0	Crankshaft			
13	1	118550288/0	Woodruff Key			
14	1	118552580/0	Connecting Rod Assy			
15	2	118551283/0	Washer, Piston Pin			
16	1	118551241/0	Piston Pin			
17	1	118552670/0	Piston			
18	1	118550510/0	Piston, Ring Set			
19	1	118551511/0	Camshaft assy			
20	2	118551252/0	Valve Lifter			
21	2	118550242/1	Push Rods Assy			
22	1	118552619/0	Speed Governor Assy			
23	1	118551505/0	Shaft, Governor Arm			
25	1	118551285/0	Oil Seal			
26	1	118550856/0	Cotter Pin			
27	1	118551220/0	Arm Governor Assy			
28	1	118550805/0	Screw			
29	1	118550806/0	Nut			
30	1	118550355/1	Crankcase Gasket			
31	1	118551258/0	Grommet			
32	1	118551257/1	Cover			
34	1	118551256/1	Oil Strainer			
35	1	118551207/0	Crankase Cover			
36	1	118550443/0	Oil Seal			
37	4	112691115/0	Screw			
38	2	118552504/0	Bolt			
40	1	118550224/1	Oil Pump			
41	1	118551507/0	Gasket			
42	1	118550223/0	Oli Pump Cover			
43	1	118550205/2	Oil Filler Assy			
44	1	112674701/0	Screw			
45	1	118551230/0	Breather Valve			
46	1	118551228/0	Cover			
51	1	118551236/0	Gasket			
52	1	118552575/0	Cylinder Head			
53	1	118551290/0	Valve Assy, Intake + Exhaust			
54	2	118551245/0	Plate			
55	2	118551248/0	Gasket			



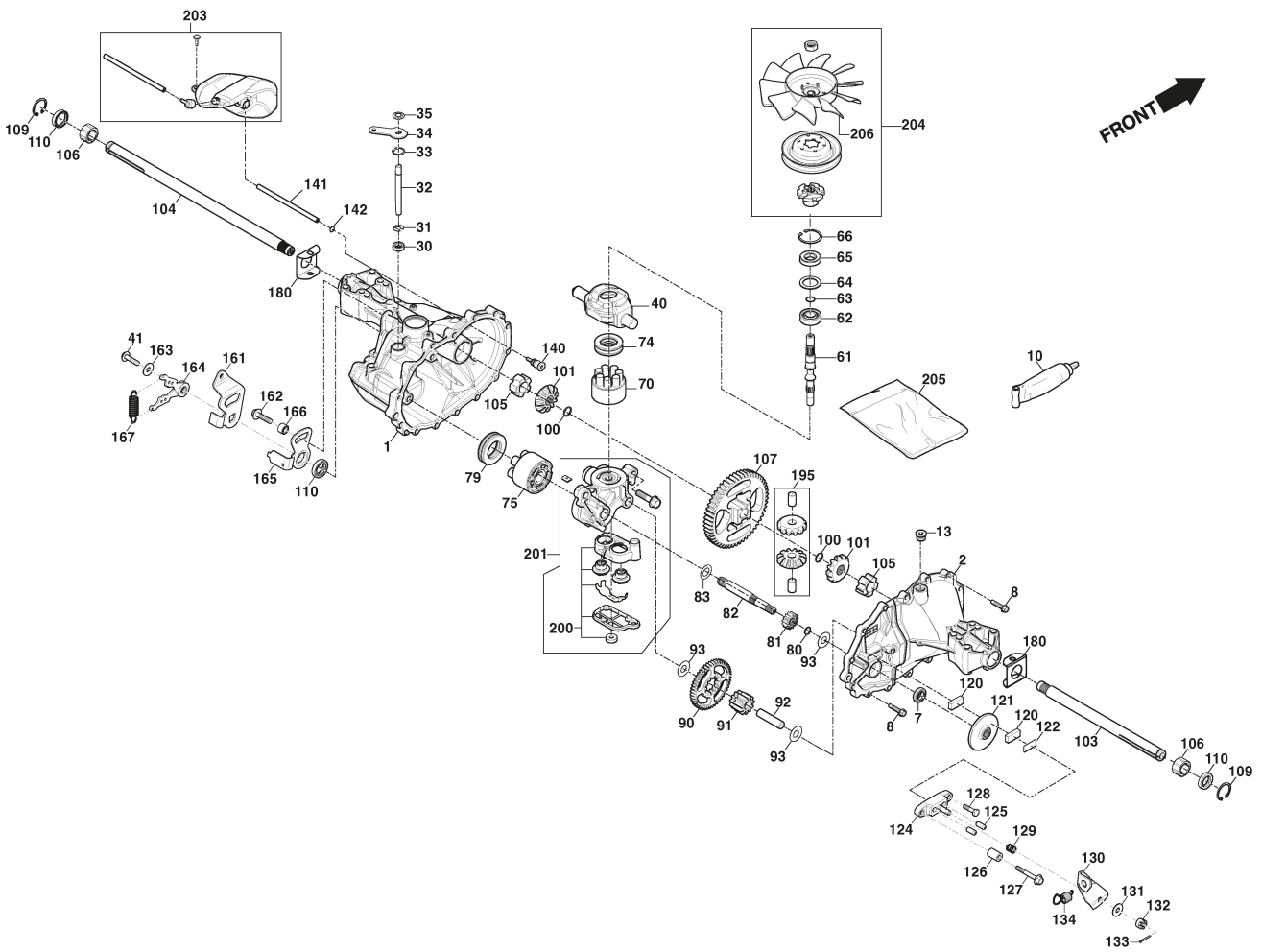
Engine - Piston, Crankshaft

Ref.nr.	Antal	Komponentkode	Beskrivelse	Noter	From	Op til
56	2	118550529/0	Spring Valve			
57	4	118551247/0	Valve keeper			
58	2	118551246/0	Retainer			
59	2	118551244/0	Valve cap			
60	1	118551255/0	Plate			
61	1	118551510/0	Valve Arm Set			
62	4	118551278/0	Screw			
63	1	118551531/0	Gasket			
64	1	118551534/0	Cover Comp., Head			
65	4	118552509/0	Bolt			
66	1	118551272/0	Muffler Gasket			



Engine, Fuel Pump

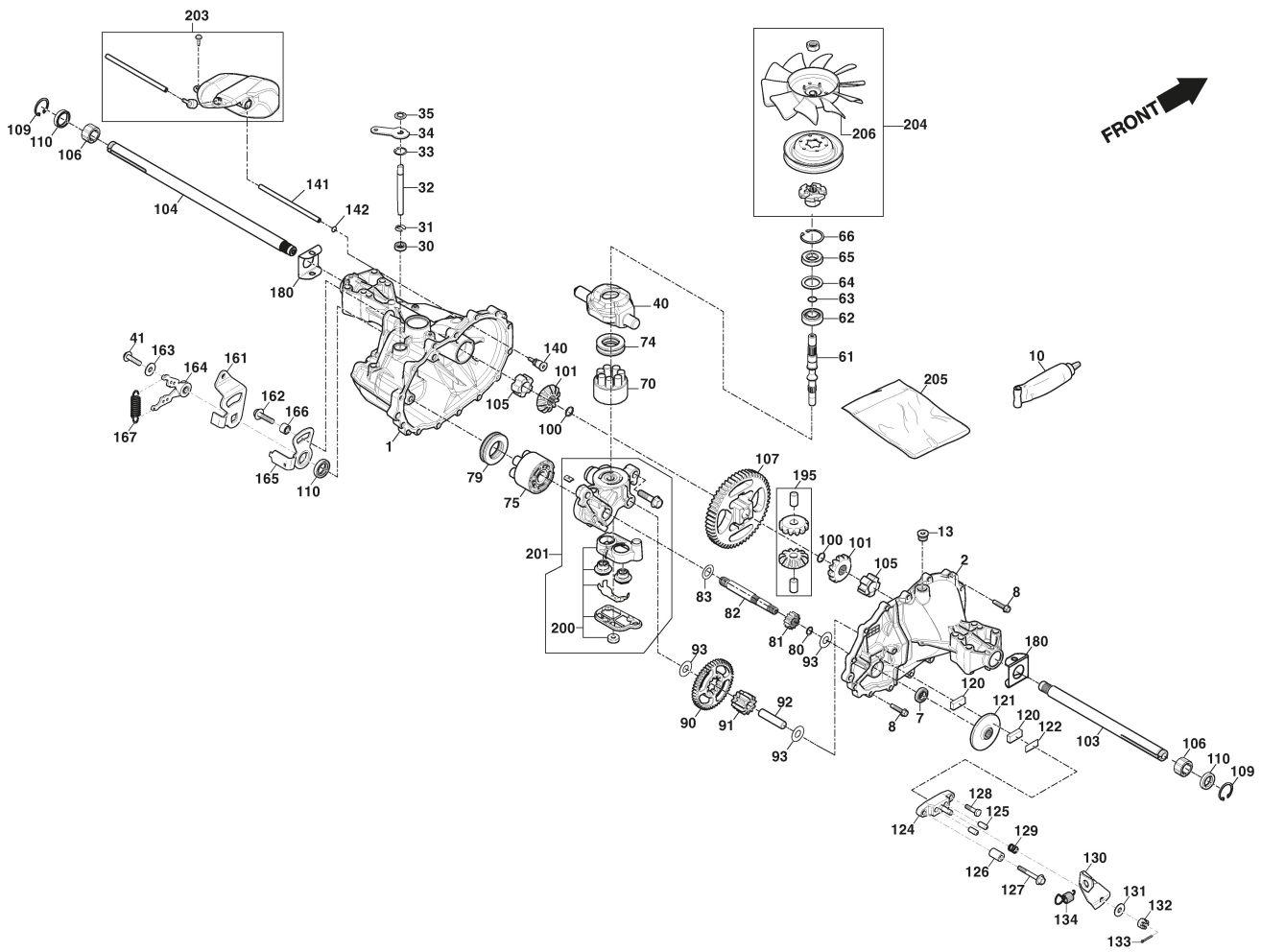
Ref.nr.	Antal	Komponentkode	Beskrivelse	Noter	From	Op til
1	1	118550526/2	Engine Assembled			
2	1	325055000/0	Hood, Red			
2	1	325055001/0	Cover Ring, Yellow			
2	1	325055002/0	Hood, Black			
3	1	118551578/0	Fuel pump			
4	1	118550348/1	Fuel Pump Stiffening			
5	4	112791400/0	Screw			
6	1	118552619/0	Speed Governor Assy			
7	1	118552671/0	Carburettor			
10	1	118552506/0	Fuel Pipe			
13	1	118551371/0	Fuel Pipe			
15	1	118552507/0	Fuel Pipe			
18	4	118552508/0	Clamp, Fuel Line			



Transmission Unit, Hydro-Gear T2-ADBF-2X3C-1RX1

Ref.nr.	Antal	Komponentkode	Beskrivelse	Noter	From	Op til
1	1	118870120/0	Main Housing			
2	1	118870121/0	Side Housing			
7	1	118870111/0	Seal			
10	1	1139-2022-01	Sealant			
30	1	118870079/0	Seal			
31	1	118870081/0	Retaining ring			
32	1	1139-2203-01	Rod			
33	1	118870080/0	Retaining ring			
34	1	118870091/0	Arm			
35	1	118870082/0	Retaining ring			
40	1	118870090/0	Swashplate			
41	1	118870083/0	Screw			
61	1	118870092/0	Shaft			
62	1	1139-2001-01	Ball Bearing			
63	1	1139-2003-01	Wire Retaining Ring			
64	1	1139-2004-01	Spacer			
65	1	1139-2000-01	Lip Seal			
66	1	1139-2002-01	Retaining Ring			
70	1	118870125/0	Pump Block Assy			
74	1	118870093/0	Bearing			
75	1	1139-2063-01	Cylinder Block			
79	1	1139-2021-01	Thrust Bearing			
80	1	118870070/0	Retaining ring			
81	1	118870094/0	Gear			
82	1	118870095/0	Shaft			
83	1	118870096/0	Washer			
90	1	118870097/0	Gear			
91	1	118870098/0	Gear			
92	1	118870099/0	Pin			
93	3	1139-2016-01	Washer			
100	2	118870072/0	Retaining ring			
101	2	118870063/0	Gear			
103	1	118870114/0	Shaft			
104	1	118870113/0	Shaft			
105	2	118870086/0	Bushing			
106	2	118870085/0	Bushing			
107	1	118870100/0	Gear			
109	2	118870084/0	Retaining ring			
110	3	1139-2204-01	Shaft			
120	2	118870066/0	Brake Pad			
121	1	118870101/0	Brake			
122	1	118870067/0	Brake Pad Support			
124	1	118870119/0	Brake Caliper			
125	2	118870069/0	Pin			
126	1	118870062/0	Spacer			
127	1	118870077/0	Screw			
128	1	118870071/0	Bolt			
129	1	118870076/0	Spring			

Transmission Unit, Hydro-Gear T2-ADBF-2X3C-1RX1



Transmission Unit, Hydro-Gear T2-ADBF-2X3C-1RX1

Ref.nr.	Antal	Komponentkode	Beskrivelse	Noter	From	Op til
130	1	118870088/0	Brake Lever			
132	1	118870068/0	Nut			
133	1	118870065/0	Pin			
134	1	118870078/0	Spring			
140	1	1139-2038-01	Fitting			
141	1	118870102/0	Tube			
142	1	1139-2075-01	O-Ring			
161	1	118870103/0	Arm			
164	1	118870107/0	Arm Assy			
165	1	118870108/0	Arm			
166	1	118870104/0	Bushing			
167	1	118870089/0	Spring			
180	2	118870112/0	Plate			
195	1	118870126/0	Kit-Gears and Pins			
200	1	118870123/0	Kit-Filter			
201	1	118870127/0	Center Section Kit			
203	1	118870122/0	Kit-Expansion Tank			
204	1	1139-2201-01	Kit, Fan Pulley			
205	1	118870124/0	Kit-Seal			
206	1	118870129/0	Fan			