

STIGA

ESTATE 2084 H (2021)

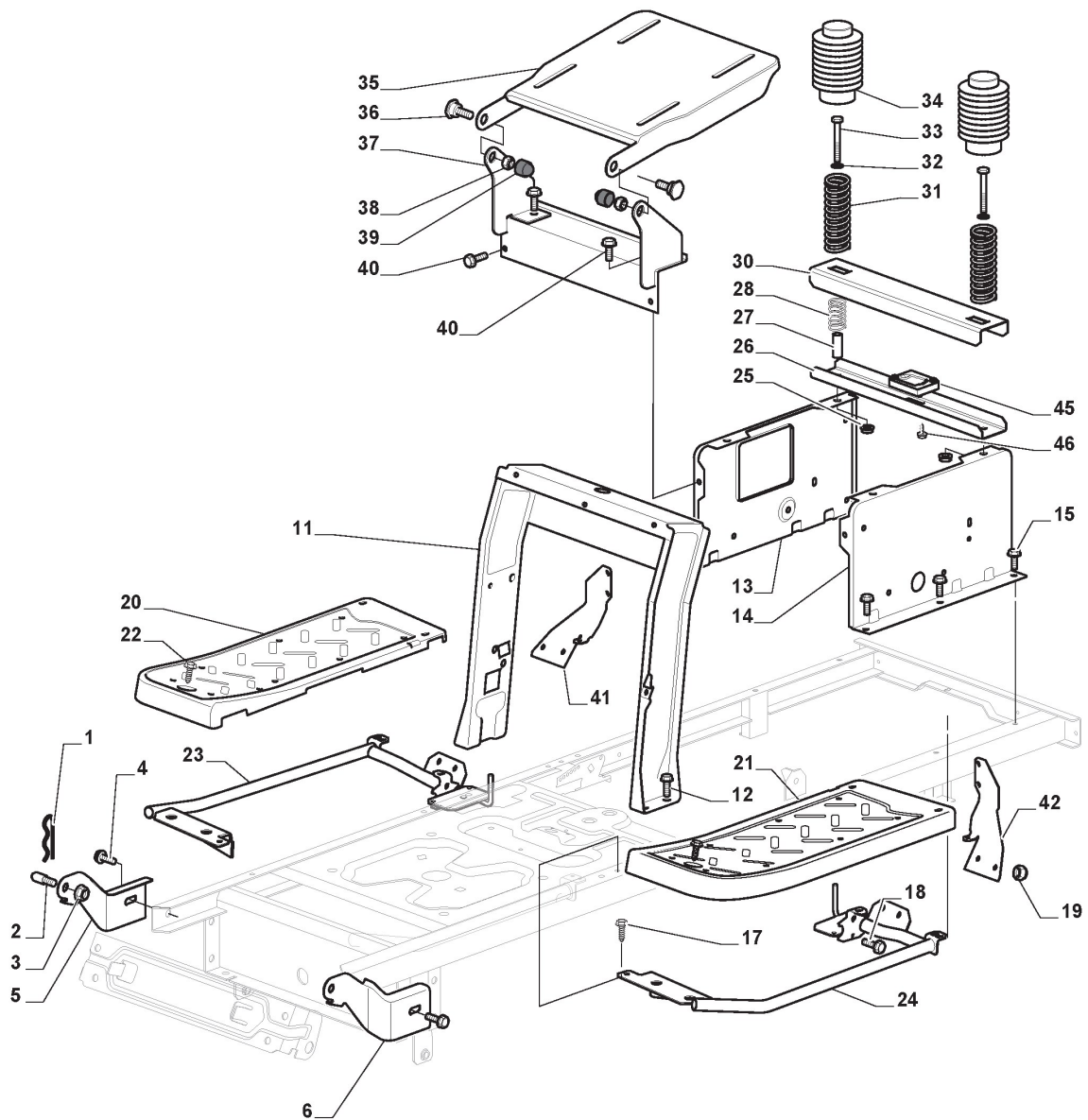
2T2120481/ST1



Spare parts list Reservdelar Repuestos Ersatzteile Pièces détachées Reserve onderdelen Catalogo ricambi

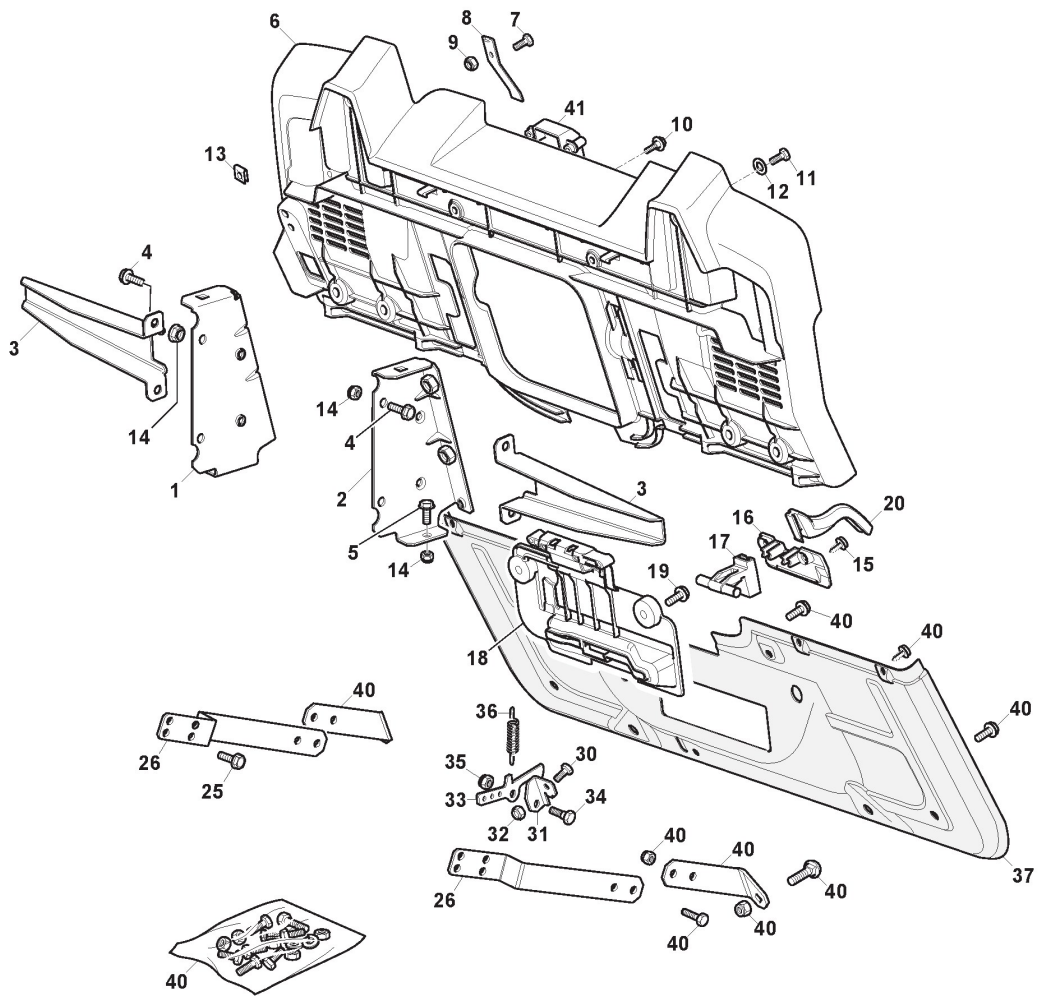
- Use ST. S.p.A. Genuine Spare Parts specified in the parts list for repair and/or replacement.
- The contents described in the parts list may change due to improvement.
- The drawings of the spare parts are only indicative And might Not represent the part in question exactly.
- The indications "right" - "left" - "front" - "rear" refer to the position of the operator when using the machine.
- When placing orders of parts for repair And/Or replacement, make sure that the illustrated parts list Is the one applying to the machine's year of manufacture, as shown on the identification plate attached to the machine.

All rights reserved. No part Of this material may be reproduced Or transmitted, in any form Or by any means, electronic Or mechanical, including photocopying, recording Or by any information storage And retrieval system, without permission in writing from ST. S.p.A.



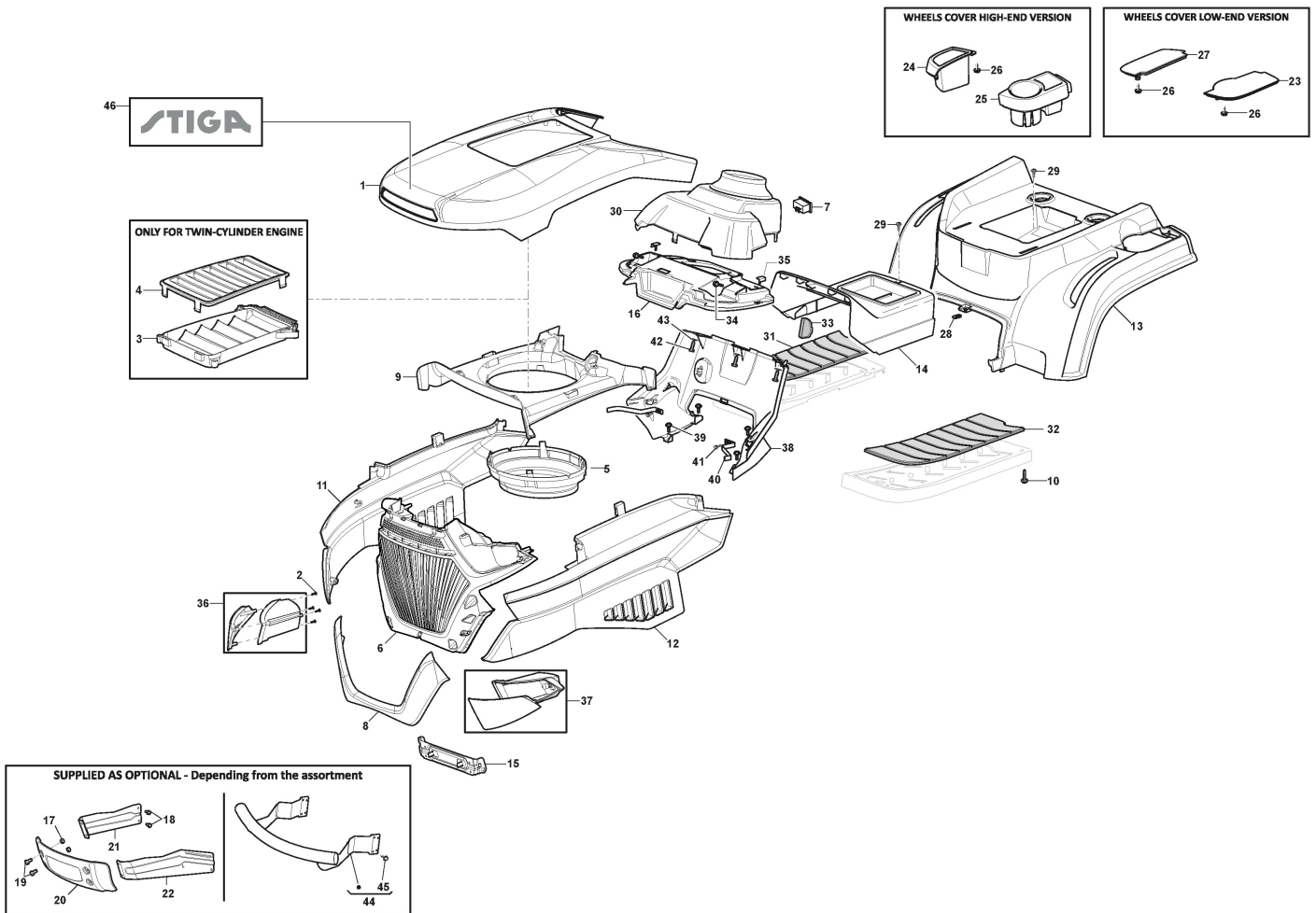
Chassis

Ref.nr.	Antal	Komponentkode	Beskrivelse	Noter	From	Op til
1	1	124487998/0	Cotter Pin			
2	2	125510079/0	Pin			To S/N 00110001
2	2	125510169/0	Pin		From S/N 19DA3RON 003315	
3	2	112155000/0	Nut			
4	2	112735599/0	Screw			
5	1	325547225/0	Right Plate			
6	1	325547227/0	Left Plate			
11	1	382785169/1	Steering Column Support			
12	4	125943009/0	Screw			
13	1	325785331/1	Right Seat Support			
14	1	325785333/1	Left Seat Support			
15	6	125943009/0	Screw			
17	2	125943009/0	Screw			
18	2	125943009/0	Screw			
19	10	112155000/0	Nut			
20	1	325500041/1	Right Footboard			
21	1	325500043/1	Left Footboard			
22	2	112735599/0	Screw			
23	1	382785223/0	Footboard Support			
24	1	382785221/0	Footboard Support			
25	2	112293201/0	Nut			
26	1	325820109/1	Seat Support			
27	2	125160048/0	Spacer		From 01-Septem ber-2014	To
27	2	125160077/0	Spacer			
28	2	125430263/0	Spring			
30	1	325820111/0	Support			
31	2	125430264/0	Spring			
32	2	112521350/0	Washer			
33	2	112691400/0	Screw			
34	2	325122002/0	Hood			
35	1	382547061/0	Plate			
36	2	122524970/2	Fulcrum Pin			To
36	2	122524970/3	Pin		From 01-Septem ber-2014	To S/N 00510001
37	1	382820151/0	Seat Support		From S/N 20EA3RON 000612	
37	1	382820151/1	Seat Support			
38	2	112155010/0	Nut			
39	2	118203854/0	Cap			
40	12	125943009/0	Screw			
41	1	325650155/0	Support			To S/N 00271854
41	1	325650155/1	Support		S/N 269797	To S/N 00210001
41	1	325650155/2	Support		From S/N 20BA3RON 006585	
42	1	325650157/0	Support			To S/N 00271854
42	1	325650157/1	Support		From S/N DD325495 From S/N 00110001	To S/N 20AA3RON 007470
42	1	325650157/2	Support			
45	1	325785379/0	Support			
46	2	112728686/0	Screw			



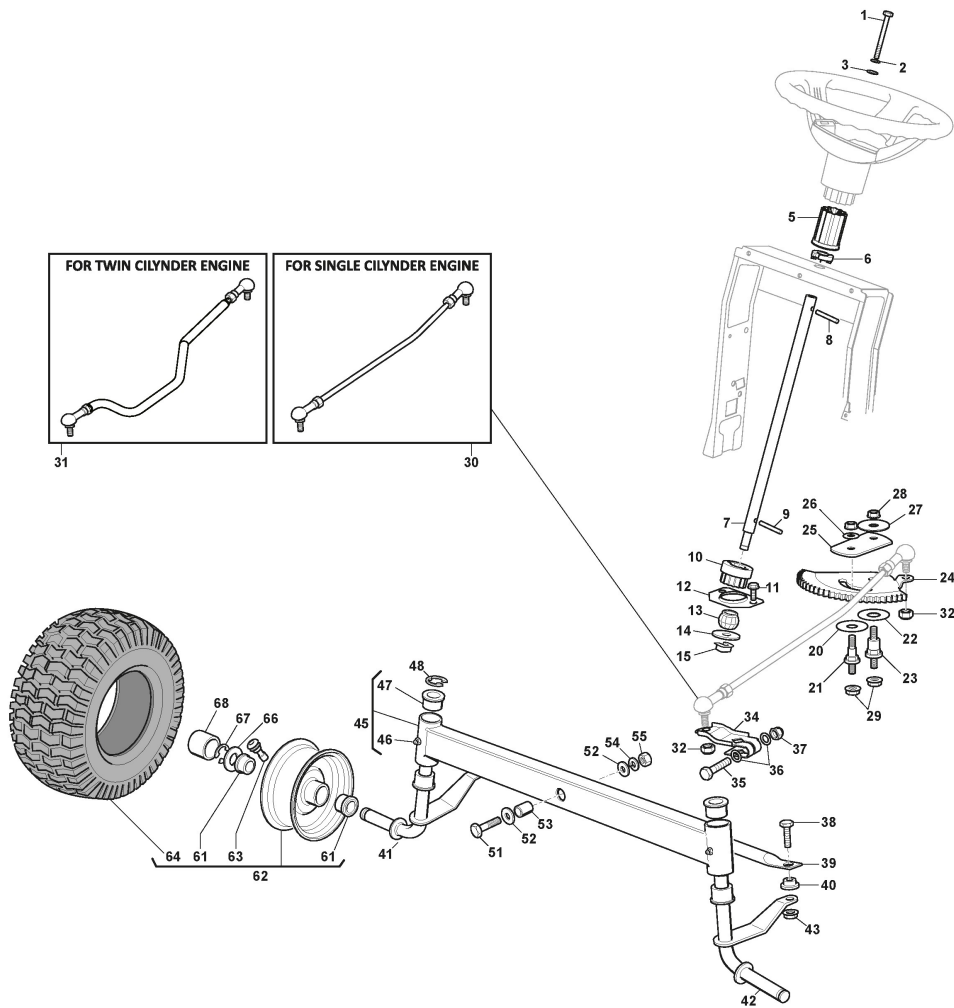
Frame - Rear Plate

Ref.nr.	Antal	Komponentkode	Beskrivelse	Noter	From	Op til
1	1	325774501/0	Clamp			
2	1	325774507/0	Clamp			To S/N
2	1	325774507/1	Left Clamp Bracket		From S/N 21JA3RON 001268	01112001
3	2	325650163/0	Stiffening			
4	8	125943009/0	Screw			
5	2	125943009/0	Screw			
6	1	325547299/1	Rear Plate, Upper Part			
7	1	112789021/0	Screw			
8	1	127430600/0	Spring			
9	1	112154330/0	Nut			
10	4	125943010/0	Screw			
11	6	112789021/0	Screw			
12	6	112523020/0	Washer			
13	6	112437503/0	Plate			
14	10	112155000/0	Nut			
15	2	112728697/0	Screw			
16	1	325109522/0	Protection Cover			
17	1	325318276/0	Gearshift			
18	1	325785428/0	Support			
19	2	125943010/0	Screw			
20	1	325318277/0	Lever	Also on endowment p40		
25	4	112793102/0	Screw			
26	2	325774521/0	Clamp			
30	1	112789021/0	Screw			
31	1	325755061/0	Bracket			
32	1	112154330/0	Nut			
33	1	325774533/0	Clamp			
34	1	125510080/2	Pin			
35	1	112154510/0	Nut			
36	1	125430282/1	Spring			
37	1	382547071/1	Plate			
40	1	382180146/0	Outfit, Screws			
41	1	325600107/0	Micro Protection			



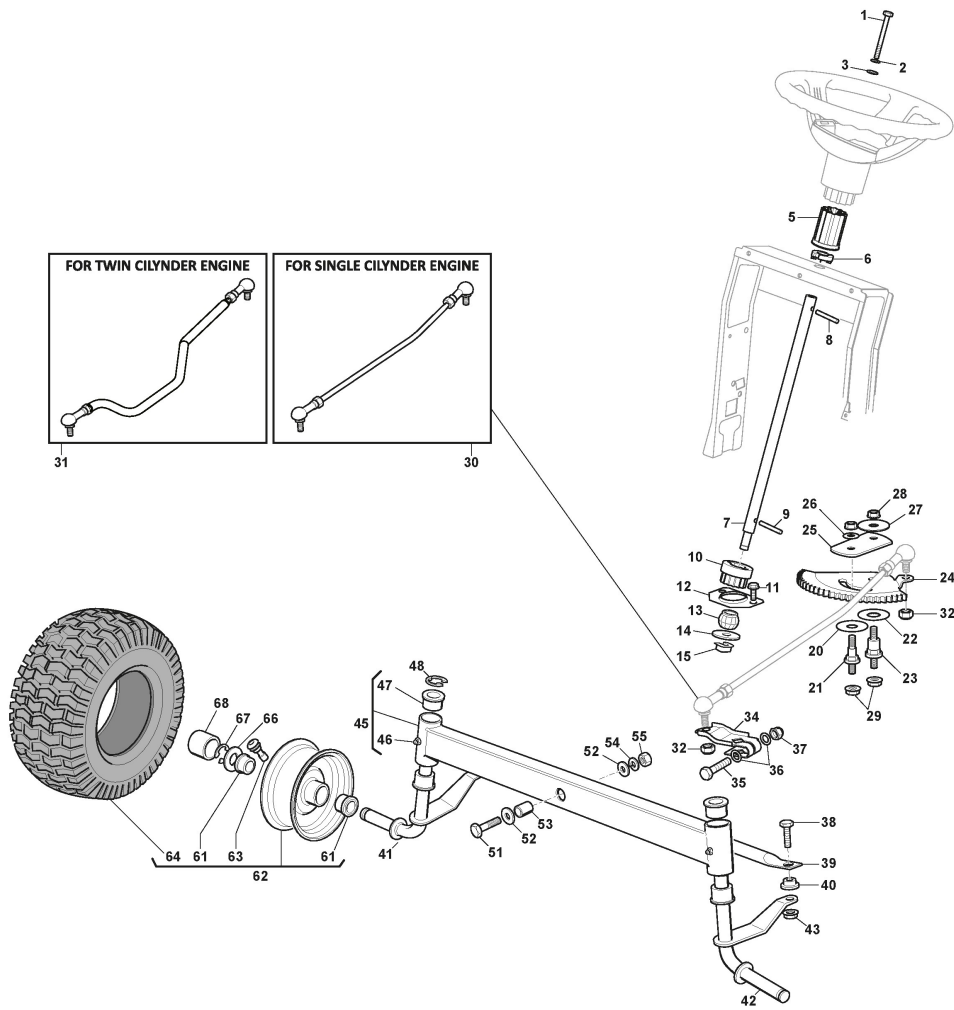
Body Work

Ref.nr.	Antal	Komponentkode	Beskrivelse	Noter	From	Op til
1	1	325077005/0	Upper Engine Hood, Yellow	Yellow without Air Intake		
2	2	112728691/0	Screw			
3	1	325263313/0	Air Intake Grill	Only for Twin Cylinder Engine		
4	1	325263314/0	Air Intake Grill	Only for Twin Cylinder Engine		
5	1	325108108/0	Conveyor	For B&S Engine and ST. Single Cylinder Engine - Not for B&S 7200		
6	1	325076997/0	Frontal Bonnet			
7	1	9400-0384-01	Hour Meter	If foreseen		
8	1	325076998/0	Lower Hood, Front	Grey NCS8000N		
9	1	325108109/0	Air Intake Grill	Grey NCS S8000-N		
10	4	112735406/0	Screw			
11	1	325207283/0	Bonnet Right Side Cover, Grey	Grey NCS S8000-N		
12	1	325207284/0	Bonnet Left Side Cover, Grey	Grey NCS S8000-N		
13	1	325110438/1	Yellow Wheels Cover	Yellow		
14	1	325110463/0	Grey Central Cover	Grey NCS S8000-N		
15	1	325785551/0	Engine Hood Support			
16	1	325120259/2	Dashboard			
17	4	112155000/0	Nut			
18	4	112735599/0	Screw			
19	4	112792611/0	Screw			
20	1	382263501/0	Bumper			
21	1	382785255/0	Right Support			
22	1	382785257/0	Left Support			
23	1	325207197/0	Cover			
24	1	325207198/0	Cover			
25	1	325207199/0	Cover			
26	4	112735403/0	Screw			
27	1	325207196/0	Cover			
28	1	112437506/0	Plate			
29	3	125943010/0	Screw			
30	1	325120288/0	Dashboard			
31	1	325110384/0	Right Footboard Cover	As Optional - Not present on all assortment		
32	1	325110385/0	Left Footboard Cover	As Optional - Not present on all assortment		
33	1	325207191/0	Plate	Not needed for Hydro Model		
34	2	125943010/0	Screw			
35	2	325260003/0	Grommet			
36	1	382185516/0	Right Light Grill	For Lamp Version		
37	1	382185517/0	Left Light Grill	For Lamp Version		
38	1	325785298/0	Dashboard Support			
39	4	125943010/0	Screw			
40	2	325270325/0	Guide			
41	6	112735599/0	Screw			
42	3	112735406/0	Screw			
43	3	112523040/0	Washer			
44	1	382869037/0	Muffler Protection			
45	4	112735599/0	Screw			
46	1	114367495/1	Label			



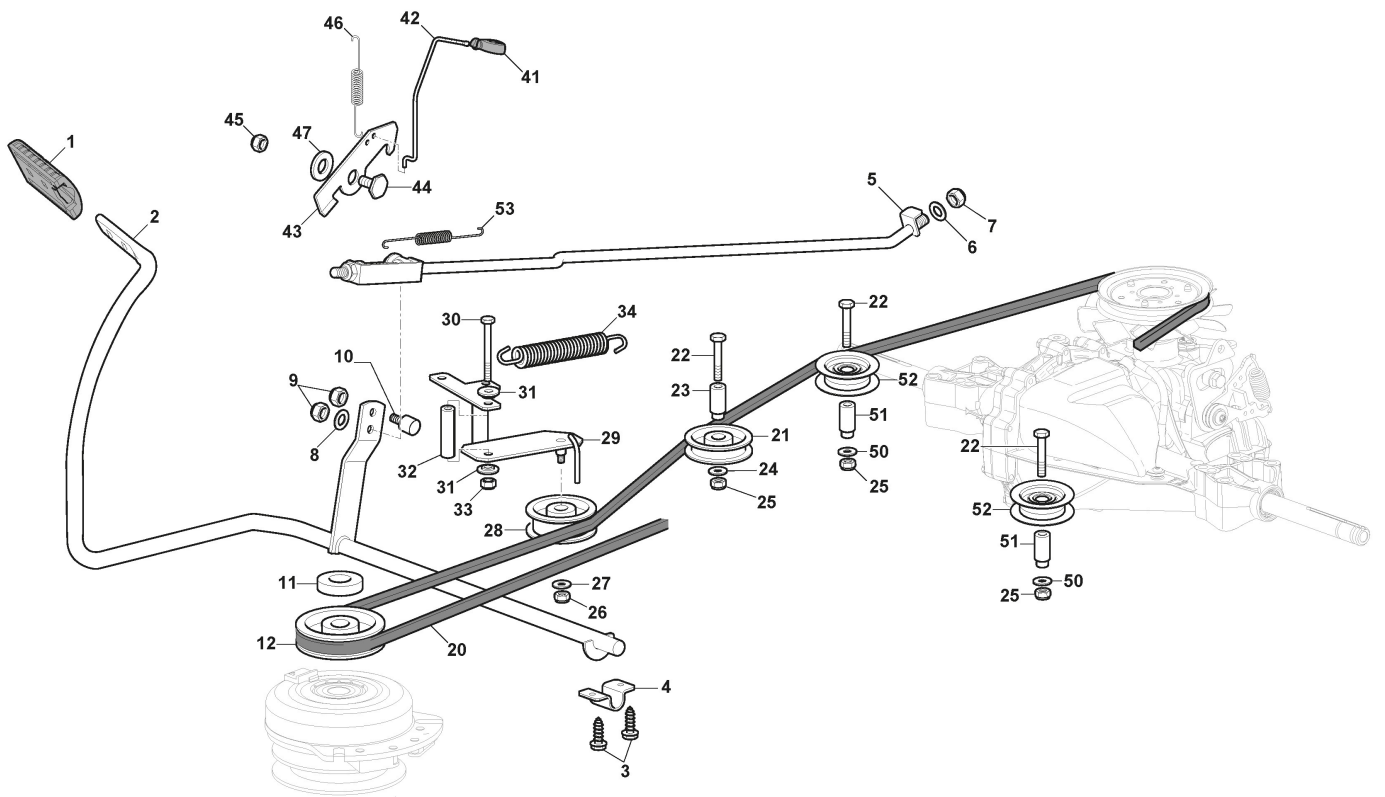
Steering - Sheet Metal Front Axle

Ref.nr.	Antal	Komponentkode	Beskrivelse	Noter	From	Op til
1	1	112692100/0	Screw			
2	1	112540260/0	Washer			
3	1	112521360/0	Washer	Not for STIGA Brand Machine		
5	1	382785304/0	Support			
6	1	325038008/0	Bushing			
7	1	125520018/0	Steering Column			
8	1	112620300/0	Spring			
9	1	112622650/0	Dowel pin			
10	1	125570003/0	Pinion			
11	2	127943051/0	Screw			
12	1	325785213/1	Support			
13	1	325743000/0	Joint			
14	1	112521370/0	Washer			
15	1	112436030/0	Plate			
20	1	322672151/0	Antifriction Washer			
21	1	125510173/0	Pin			
22	1	125670023/0	Washer			
23	1	125510165/0	Pin			
24	1	325735519/0	Steering Sector			
25	1	325547233/0	Plate			
26	1	112369500/0	Elastic Washer			
27	1	122160400/0	Elastic Disc			
28	2	112155010/0	Nut			
29	2	112155010/0	Nut			
30	1	382000566/2	Steering Rod	for Single Cilynder Engine		
32	2	112156602/0	Nut			
34	1	382318323/0	Steering Control Lever			
35	1	112692395/2	Screw			
36	2	112521360/0	Washer			
37	1	112155020/0	Nut			
38	2	125510103/0	Pin			
39	1	325840029/0	Tie Rod	Steel		
40	2	325038007/0	Bushing			
41	1	382230373/1	Right Stub Axle	15"		
42	1	382230375/1	Left Stub Axle	15"		
43	2	112155000/0	Nut			
45	1	382034029/0	Rod	Steel		
46	2	112379511/0	Grease Dispenser			
47	4	125034002/1	Bushing			
48	1	112001010/0	Benzing Ring			
51	1	112692695/0	Screw			
52	2	112523100/0	Washer			
53	1	125160016/1	Spacer			
54	1	112587100/0	Grower			
55	1	112295300/0	Nut			
61	4	125122200/2	Bearing			
62	2	382680078/0	Wheel Assy	15" - P519		
63	2	125950000/0	Valve			



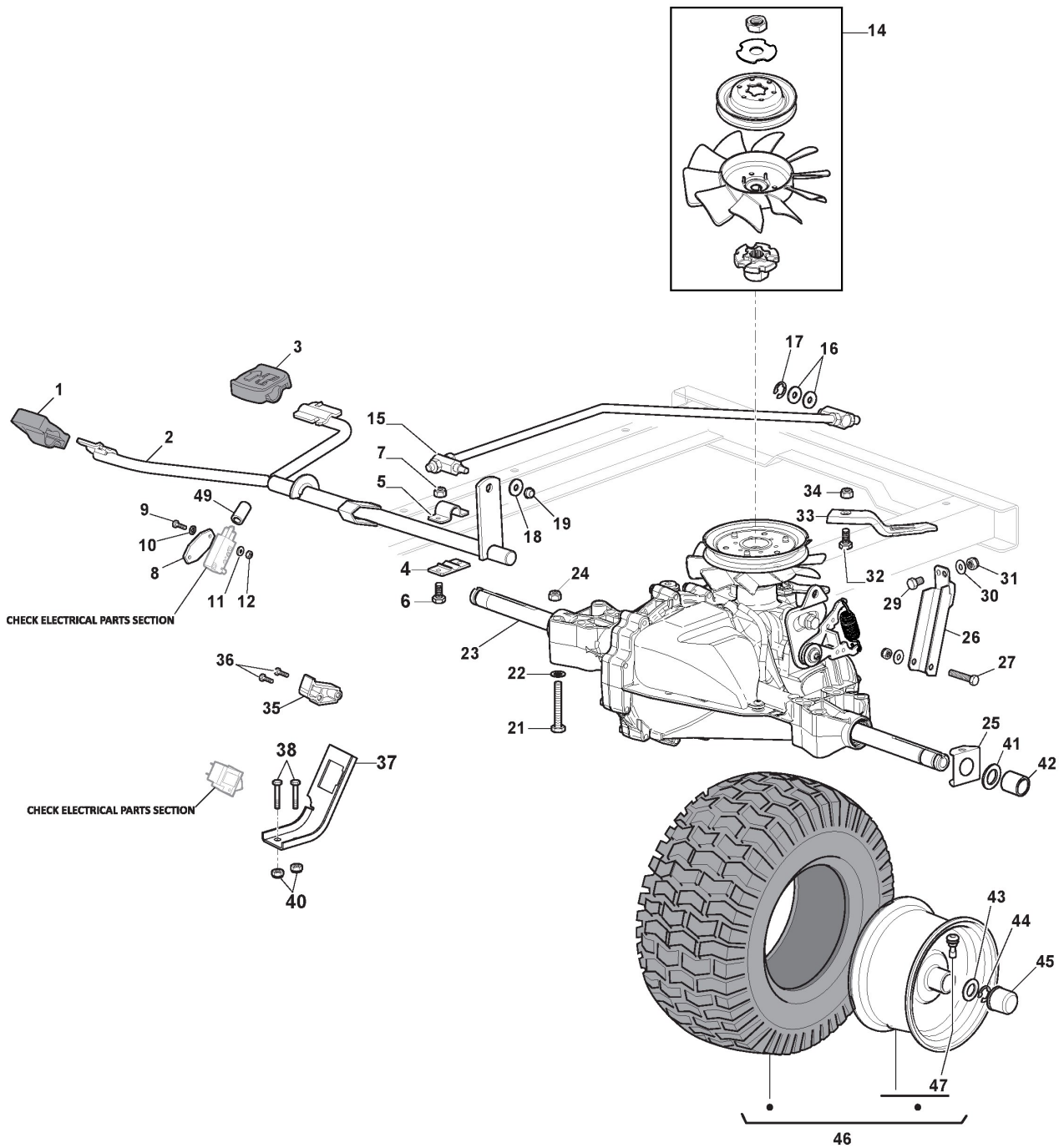
Steering - Sheet Metal Front Axle

Ref.nr.	Antal	Komponentkode	Beskrivelse	Noter	From	Op til
64	2	125590020/0	Tyre	15"		
66	2	125670005/2	Washer			
67	2	112001010/0	Benzing Ring			
68	2	322110240/0	Hub Cap			



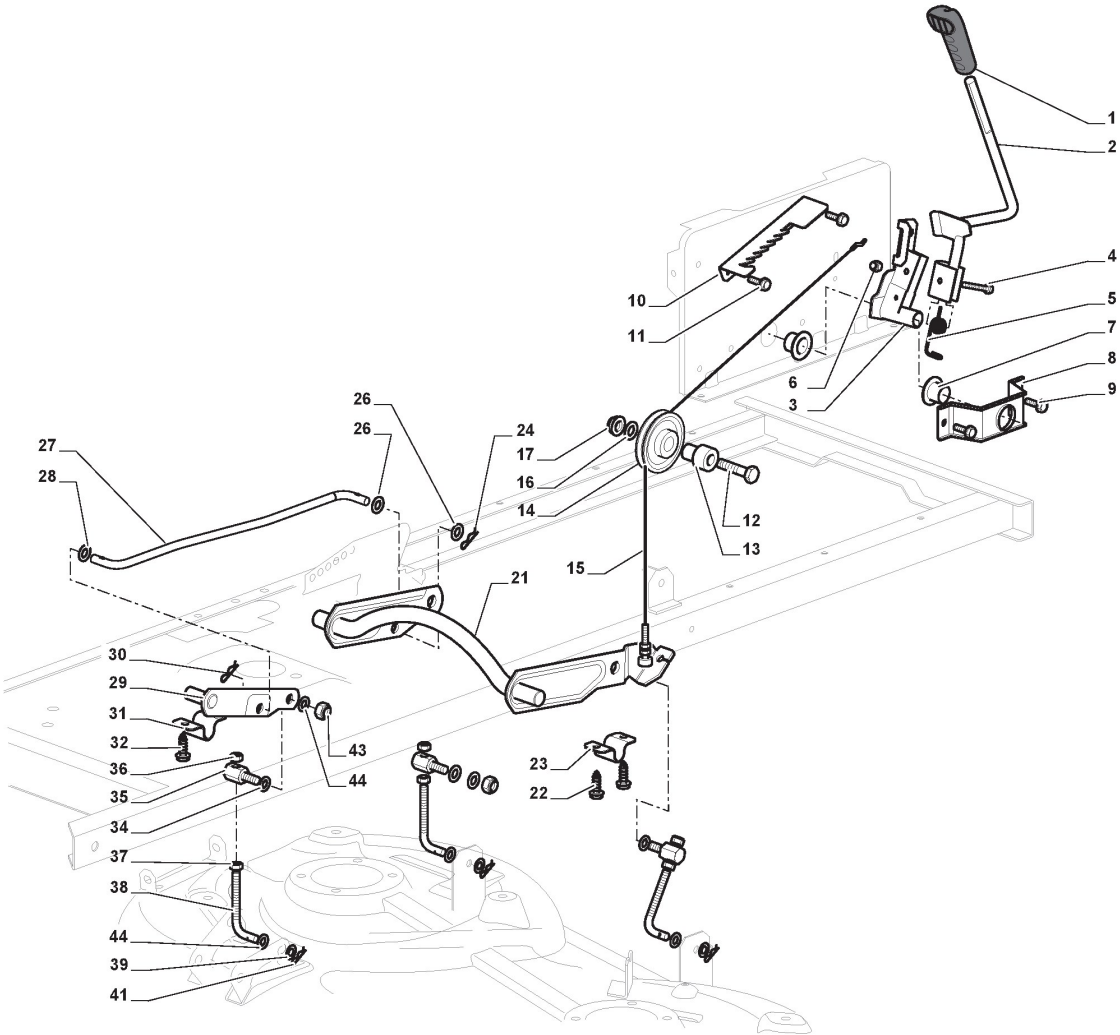
Brake And Gearbox Controls

Ref.nr.	Antal	Komponentkode	Beskrivelse	Noter	From	Op til
1	1	325110409/0	Clamp Cover			
2	1	382000641/1	Pedal			
3	4	112735599/0	Screw			
4	2	325547231/1	Plate			
5	1	382000636/0	Rod			To
5	1	382000636/1	Brake Rod Assy		From	07-Novemb er-2021
6	1	112521360/0	Washer			
7	1	112156602/0	Nut			
8	1	325670011/0	Antifriction Washer			
9	2	112155000/0	Nut			
10	1	125510166/0	Pin			
11	1	125160021/0	Spacer			
12	1	125601577/0	Pulley			
20	1	135062020/1	Trapezoidal Belt			
21	1	125601613/0	Pulley	(Plastic)		
21	1	325601599/0	Pulley	(Steel)		
22	3	112691400/0	Screw			
23	1	125160107/0	Spacer			
24	3	112523060/0	Washer			
25	3	112155000/0	Nut			
26	1	112155000/0	Nut			
27	1	112523060/0	Washer			
28	1	125601554/0	Pulley			
29	1	382318245/1	Tightener Lever			
30	1	112691600/0	Screw			
31	2	125038021/0	Bushing			
32	1	125160027/0	Spacer			
33	1	112155000/0	Nut			
34	1	125430262/0	Spring			
41	1	125394509/1	Knob			
42	1	125033113/0	Rod			
43	1	325253011/1	Hook			
44	1	122524970/3	Pin			
45	1	112155000/0	Nut			
46	1	125430213/0	Spring			
47	1	112523060/0	Washer			
50	2	112521350/0	Washer			
51	2	125160111/0	Spacer			
52	2	125601608/0	Pulley	(Steel)		
52	2	125601612/0	Pulley	(Plastic)		
53	1	125430269/1	Spring			To S/N
53	1	125430269/2	Spring		From S/N 22AA3RON 021448	22AA3RON 021448



Hydrostatic Transmission - Hydrogear

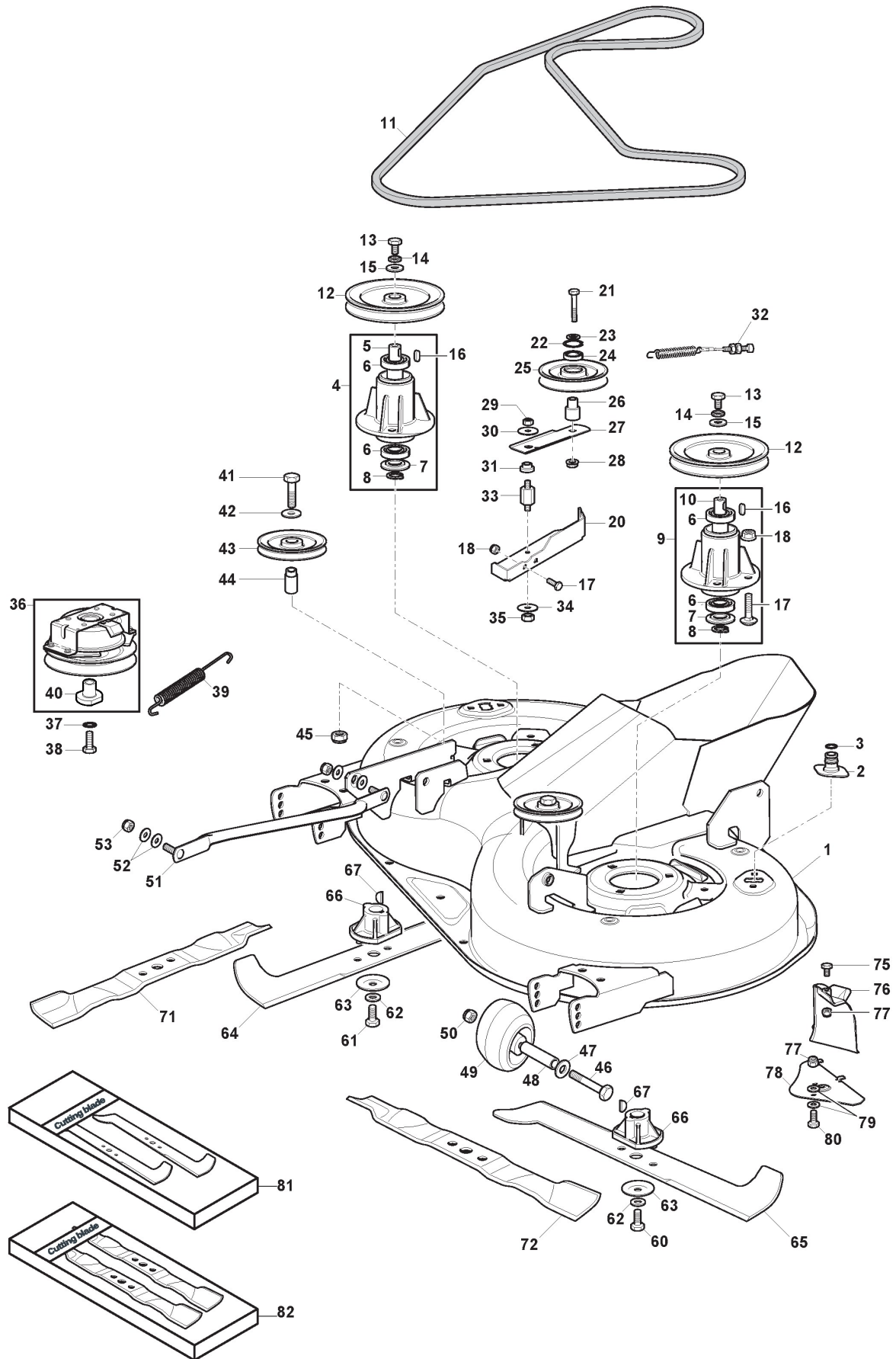
Ref.nr.	Antal	Komponentkode	Beskrivelse	Noter	From	Op til
1	1	325110274/0	Clamp Cover Front			
2	1	382000574/2	Drive Pedal			
3	1	325110331/0	Clamp Cover Rear			
4	2	325785350/0	Support			
5	2	325547231/0	Plate			To S/N
5	2	325547231/1	Plate		From S/N	20JA3RON 000566
6	4	112791213/1	Screw			
7	4	112154510/0	Nut			
8	1	327546019/0	Neutral Switch Fixing Plate			
9	2	112735602/0	Screw			
10	2	112540020/0	Washer			
11	2	112581100/0	Grower			
12	2	112290791/0	Nut			
14	1	1139-2201-01	Kit, Fan Pulley			
15	1	382000573/1	Rod			
16	2	325670011/0	Antifriction Washer			
17	1	112000940/0	Benzing Ring			
18	1	112523040/0	Washer			
19	1	112154510/0	Nut			
21	4	112691600/0	Screw			
22	4	112521350/0	Washer			
23	1	118400921/0	Rear Axle (Hydro-Gear T2-Adbf-2X3C-1Rx1)			
24	4	112155000/0	Nut			
25	2	325670026/0	Washer			
26	1	325785349/1	Support			
27	1	112691700/0	Screw			
29	1	112792611/0	Screw			
30	2	112523060/0	Washer			
31	2	112155000/0	Nut			
32	1	112791213/1	Screw			
33	1	325318251/0	Lever			
34	1	112154510/0	Nut			
35	1	325060034/1	Cam			
36	2	112735403/0	Screw			
37	1	325774573/0	Clamp			
38	2	112791400/0	Screw			
40	2	112154510/0	Nut			
41	2	125670005/2	Washer			
42	2	125160058/0	Spacer			To
42	2	125160058/1	Spacer		From	31-Decemb er-2020
43	6	125670005/2	Washer			
44	2	112001010/0	Benzing Ring			
45	2	322110240/0	Hub Cap	Stiga Style		
46	2	382680083/0	Wheel Assy			
47	2	125950000/0	Valve			
49	2	118203851/0	Cap			



Cutting Plate Lifting

Ref.nr.	Antal	Komponentkode	Beskrivelse	Noter	From	Op til
1	1	325394533/0	Knob			
2	1	382318255/0	Lever			
3	1	382318231/0	Axle			To S/N 20JA3RON 003034
3	1	382318231/1	Lifting Axle Assy		From S/N 20JA3RON	
4	1	112674700/0	Screw			
5	1	125430261/0	Spring			
6	1	112154510/0	Nut			
7	2	325038006/0	Bushing			
8	1	325785297/0	Support			
9	2	125943009/0	Screw			
10	1	325735515/0	Steering Sector			
11	2	125943009/0	Screw			
12	1	112793701/0	Screw			
13	1	125040636/1	Bushing			
14	1	125601579/0	Pulley			
15	1	382004620/0	Wire			
16	1	112523060/0	Washer			
17	1	112293201/0	Nut			
21	1	382318297/0	Axle			To S/N 19FA3RON 000412
21	1	382318297/1	Axle		From S/N 19FA3RON	
22	4	112735599/0	Screw			
23	2	325547231/0	Plate			To S/N 20JA3RON
23	2	325547231/1	Plate		From S/N 20JA3RON 000567	
24	1	124487997/0	Cotter Pin			
26	2	325670010/0	Antifriction Washer			
27	1	125033109/0	Connecting Rod			
28	1	325670010/0	Antifriction Washer			
29	1	382318293/0	Axle			To S/N 19FA3RON
29	1	382318293/1	Axle		From S/N 19FA3RON 000061	
30	1	124487997/0	Cotter Pin			
31	1	325547231/0	Plate			To S/N 20JA3RON 000566
31	1	325547231/1	Plate		From S/N 20JA3RON	
32	2	112735599/0	Screw			
34	3	325670008/1	Washer			
35	3	125510107/1	Pin			To S/N 19KA3RON 005043
35	3	125510170/0	Pin		From S/N 19FA3RON	
36	3	112156602/0	Nut			
37	3	112295200/0	Nut			
38	1	125840012/0	Tie Rod			To S/N 20BA3RON 001428
38	1	125840012/1	Tie Rod		From S/N 20BA3RON	
39	3	325670008/1	Washer			
41	3	124487998/0	Cotter Pin			
43	3	112156602/0	Nut			
44	6	112521360/0	Washer			

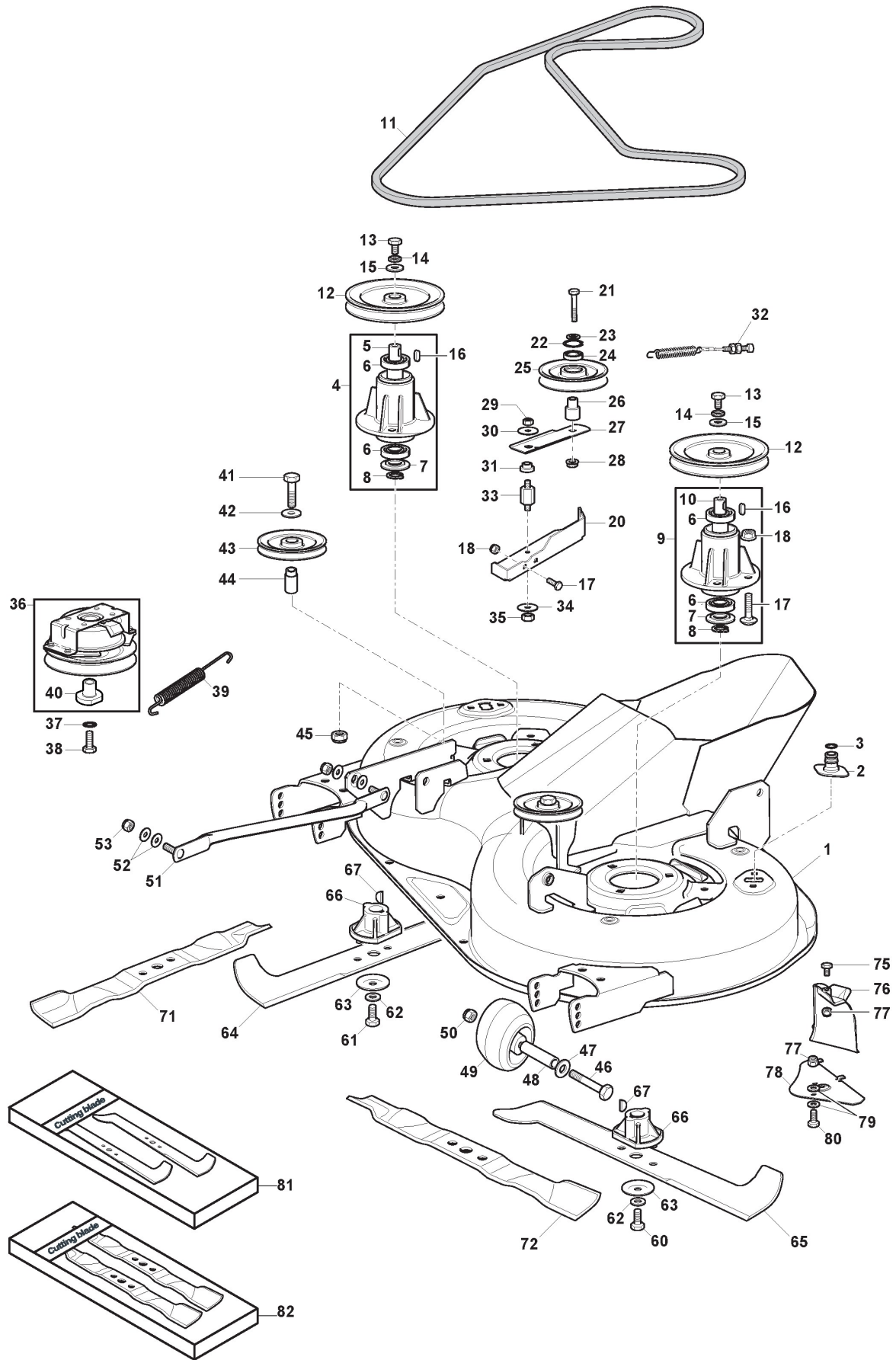
Cutting Plate



Cutting Plate

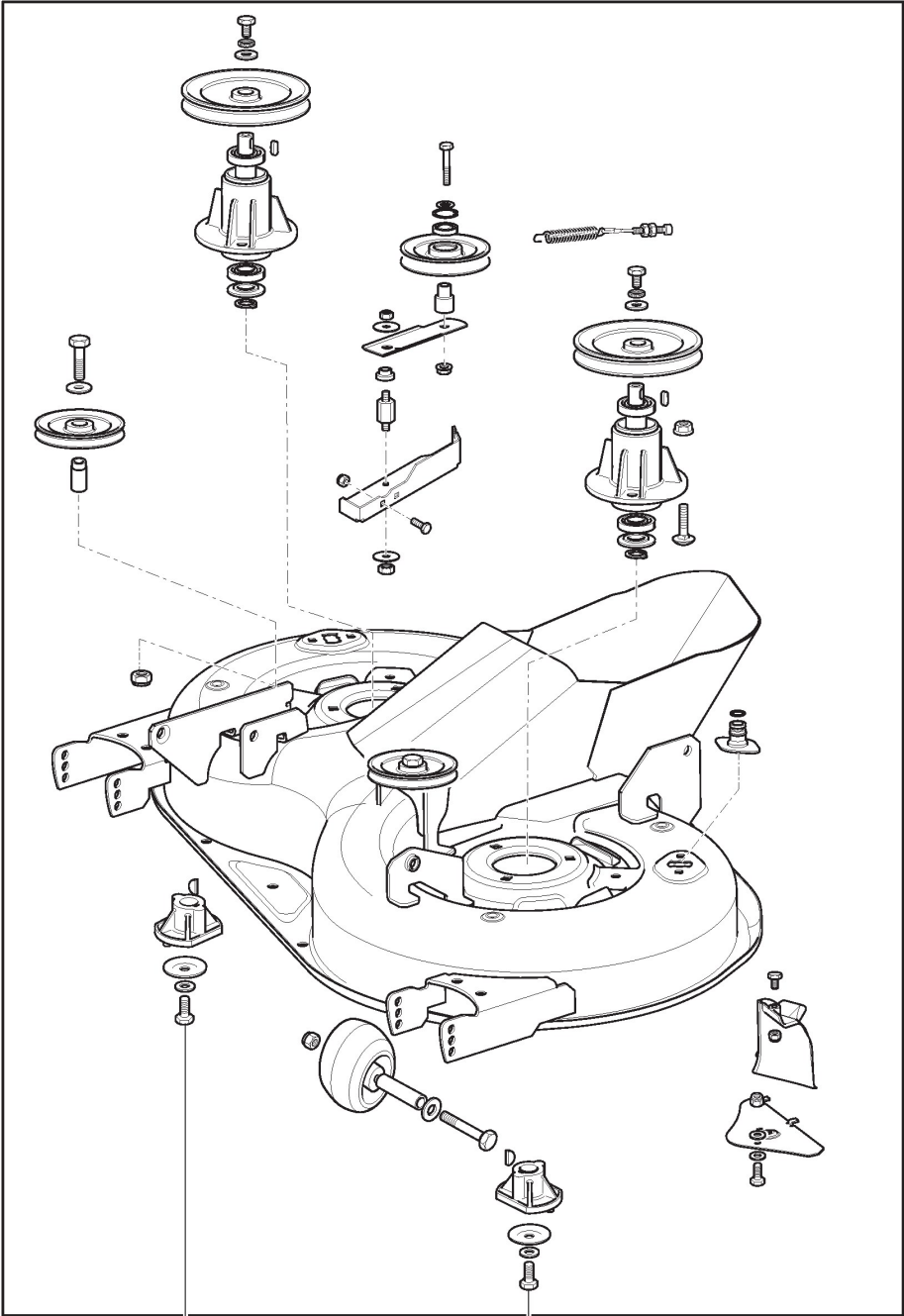
Ref.nr.	Antal	Komponentkode	Beskrivelse	Noter	From	Op til
1	1	382564113/0	Cutting Plate Black			To
1	1	382564113/1	Cutting Plate Black		From	14-March-2022
2	2	325033086/0	Water Hose Connection			
3	2	119035000/0	Or Ring			
4	1	382207205/1	Flange Assy			
5	1	125020805/0	Shaft			
6	4	119216047/0	Bearing			
7	2	325160501/1	Dust Cover Disc			
8	2	112609260/0	Seeger			
9	1	382207204/1	Flange Assy			
10	1	125020804/0	Shaft			
11	1	135061508/0	Belt			
12	2	125601585/1	Pulley			
13	2	112793102/0	Screw			
14	2	112540260/0	Washer			
15	2	125670007/0	Washer			
16	2	112139480/0	Feather			
17	6	112818690/0	Screw			
18	6	112154210/0	Nut			
20	1	325785391/0	Bracket			
21	1	112691400/0	Screw			
22	1	112524010/0	Washer			
23	1	112610800/0	Seeger			
24	1	119216048/0	Bearing			
25	1	125601595/0	Pulley			
26	1	125160052/0	Spacer			
27	1	325318289/0	Lever			
28	1	112293201/0	Nut			
29	1	112155020/0	Nut			
30	1	125670022/0	Washer			
31	1	125040635/0	Bushing			
32	1	382004618/0	Wire			
33	1	125160049/0	Spacer			
34	1	112523080/0	Washer			
35	1	112156602/0	Nut			
36	1	118399075/1	Electromagnetic Clutch	Ogura		
37	1	112543000/0	Washer			
38	1	112737320/0	Screw			
39	1	125430277/0	Spring			To S/N
39	1	125430277/1	Spring		From S/N	21GA3RON003289
40	1	118870395/0	Bush			
41	2	112691115/0	Screw			
42	2	112523060/0	Washer			
43	2	125601613/0	Pulley	Bearing hole ø15 (Plastic)	From S/N	
43	2	325601599/0	Pulley	Bearing hole ø15 (Steel)		To S/N
44	2	125160110/0	Spacer		From S/N	21KA3RON000770
45	2	112155000/0	Nut			
46	2	112692100/0	Screw			

Cutting Plate

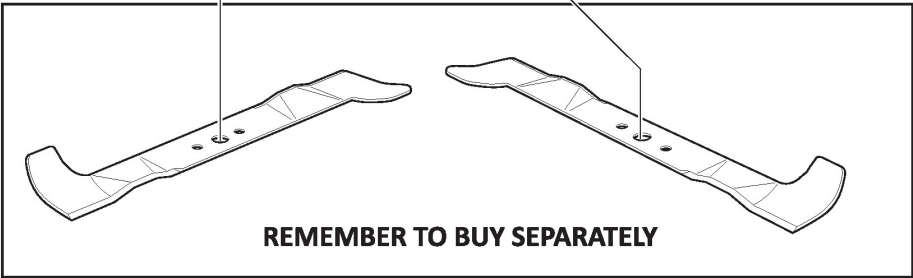


Cutting Plate

Ref.nr.	Antal	Komponentkode	Beskrivelse	Noter	From	Op til
47	2	112521350/0	Washer			
48	2	125160072/0	Spacer			
49	2	182700005/0	Anti Scalp Wheel Ø 90	ø90		To S/N 22FA3RON 001029
49	2	182700006/0	Anti Scalp Wheel Ø95	ø95	From S/N 22FA3RON	
50	2	112293201/0	Nut			
51	2	382000565/1	Equalizer Rod			
52	8	325670008/1	Washer			
53	4	112156602/0	Nut			
60	1	112735694/0	Screw			
61	1	112735695/1	Screw			
62	2	112523080/0	Washer			
63	2	122160400/0	Elastic Disc			
64	1	182004358/0	Right Blade, Winged			
65	1	182004359/0	Left Blade, Winged			
66	2	1134-9159-01	Blade Holder	with STIGA Pack		
66	2	125463200/0	Blade Hub	without Pack		
67	2	112139100/0	Key			
71	1	182004360/0	Right Mulching Blade			
72	1	182004361/0	Left Mulching Blade			
75	3	112791213/1	Screw			
76	1	325140108/0	Deflector			
77	4	112154510/0	Nut			
78	1	325785418/0	Support			
79	4	112523040/0	Washer			
80	1	112790781/0	Screw			
81	1	1134-9221-01	Mulching Blades	Stiga Packed into 182004360/0 + 182004361/0		
82	1	1134-9220-01	Winged Blades	Stiga Packed into 182004358/0 + 182004359/0		

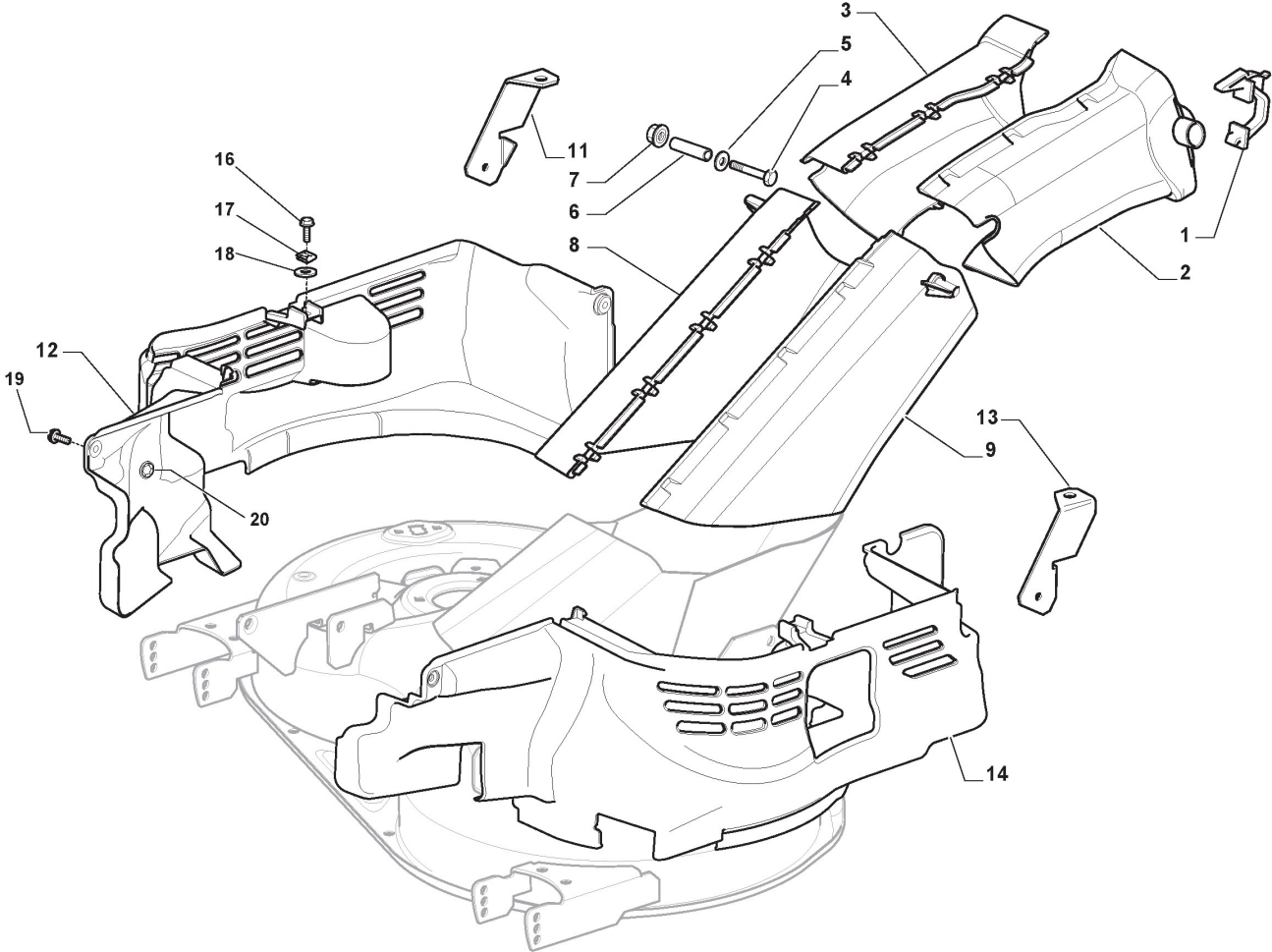


1



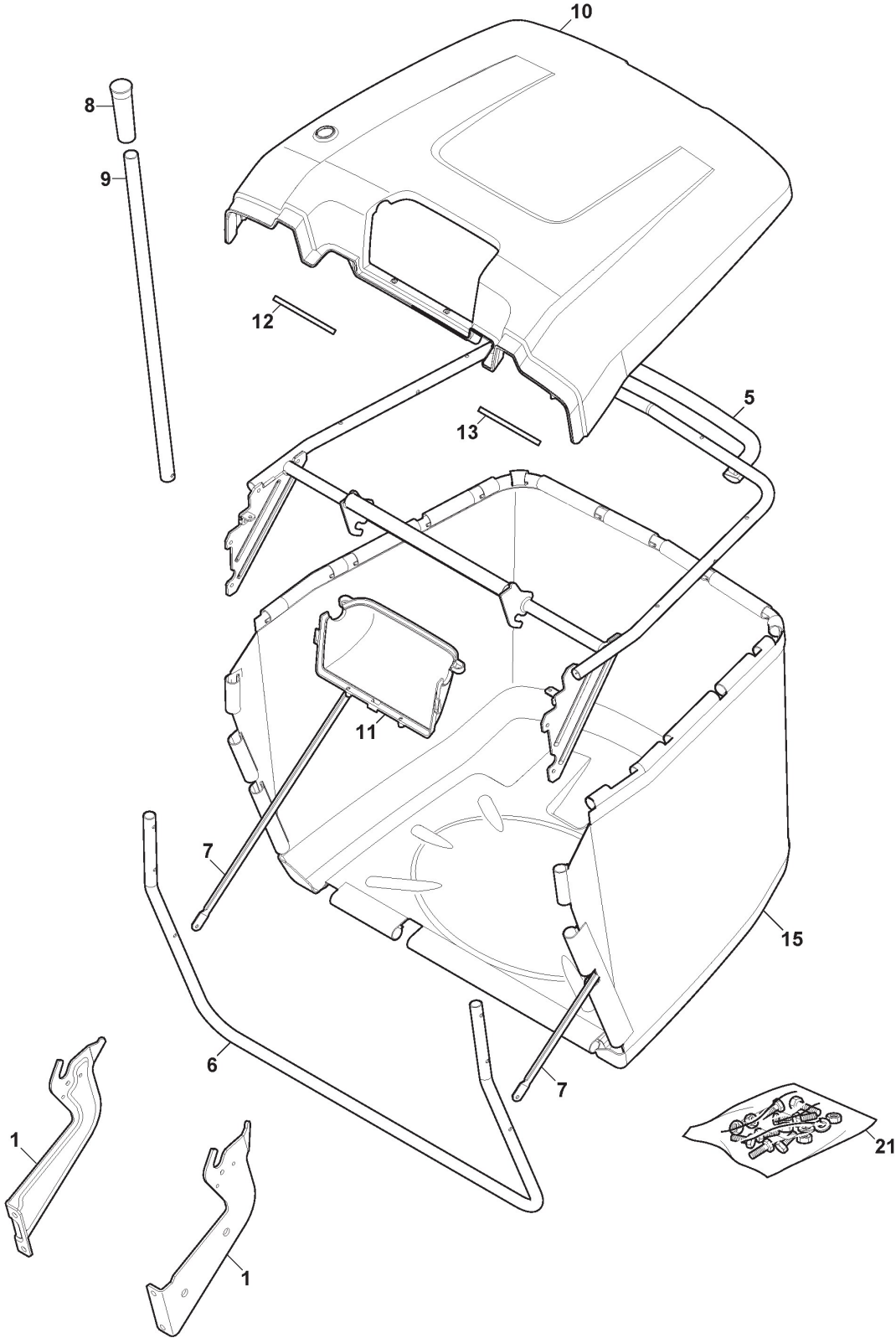
Cutting Deck Assy - MP84

Ref.nr.	Antal	Komponentkode	Beskrivelse	Noter	From	Op til
1	1	382565108/0	Cutting Plate Assy, Black	Black		



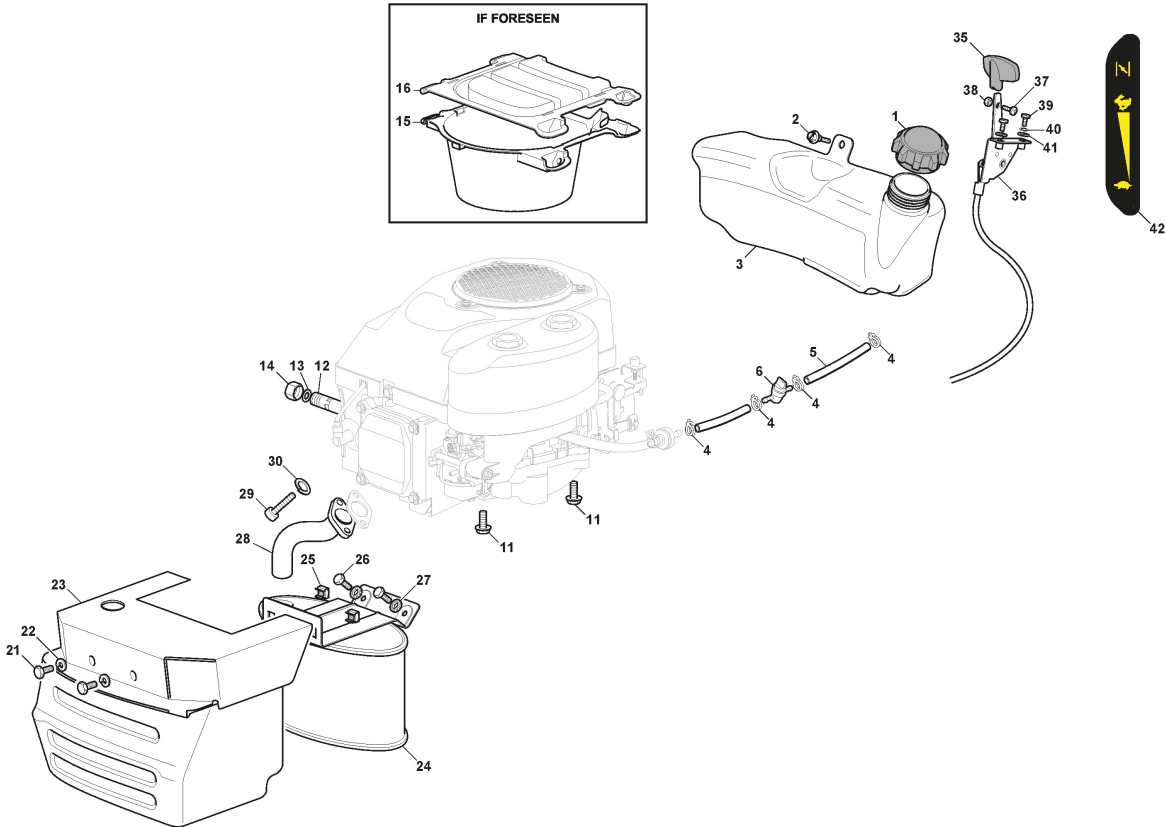
Belt Protections

Ref.nr.	Antal	Komponentkode	Beskrivelse	Noter	From	Op til
1	2	325774499/0	Clamp			
2	1	325108057/0	Conveyor			
3	1	325108056/0	Conveyor			
4	2	112792425/0	Screw			
5	2	112521340/0	Washer			
6	2	125160071/0	Spacer			To S/N 19FA3RON
6	2	125160109/0	Spacer		From S/N 19FA3RON 000413	
7	2	112154510/0	Nut			
8	1	325108064/0	Conveyor			
9	1	325108065/0	Conveyor			
11	1	325774527/0	Clamp			
12	1	325060168/0	Case			
13	1	325774529/0	Clamp			
14	1	325060169/0	Case			
16	2	112789008/0	Screw			
17	2	112437503/0	Plate			
18	2	112523020/0	Washer			
19	4	125943011/0	Screw			
20	4	112604899/0	Crown Fastener			



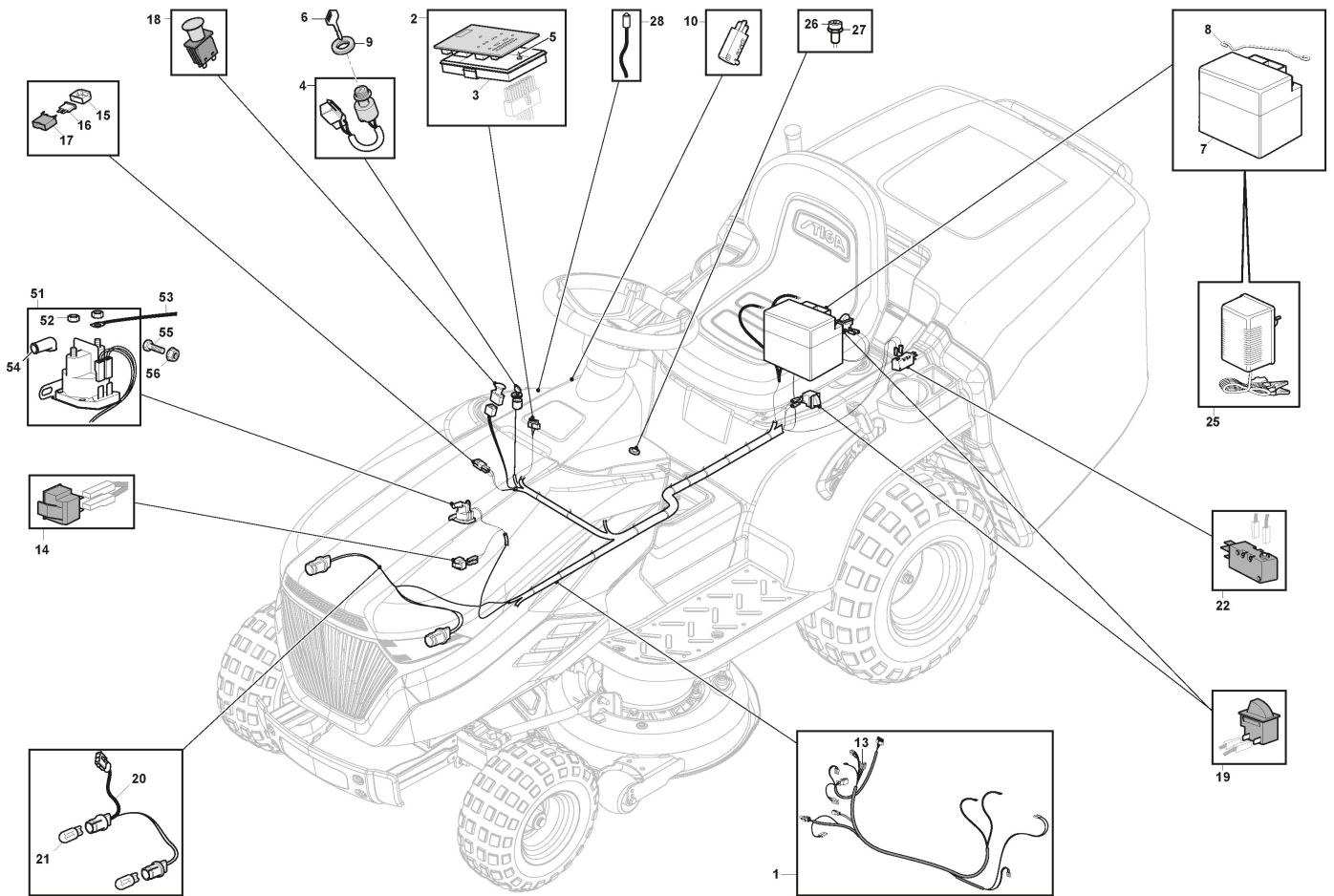
Grasscatcher

Ref.nr.	Antal	Komponentkode	Beskrivelse	Noter	From	Op til
1	1	382785289/1	Support Ass.Y			
5	1	382800139/0	Upper Frame			
6	1	382800141/0	Front Frame			
7	2	325650149/0	Stiffening			
8	1	125394508/0	Knob			
9	1	325869087/1	Rod			
10	1	325110439/2	Yellow Grass-Catcher Cover			
11	1	325207195/0	Handle Cover			
12	1	125270802/0	Seal			
13	1	125270803/0	Seal			
15	1	182105947/0	Grasscatcher	Black without Logo		
21	1	382180123/0	Outfit, Screws			



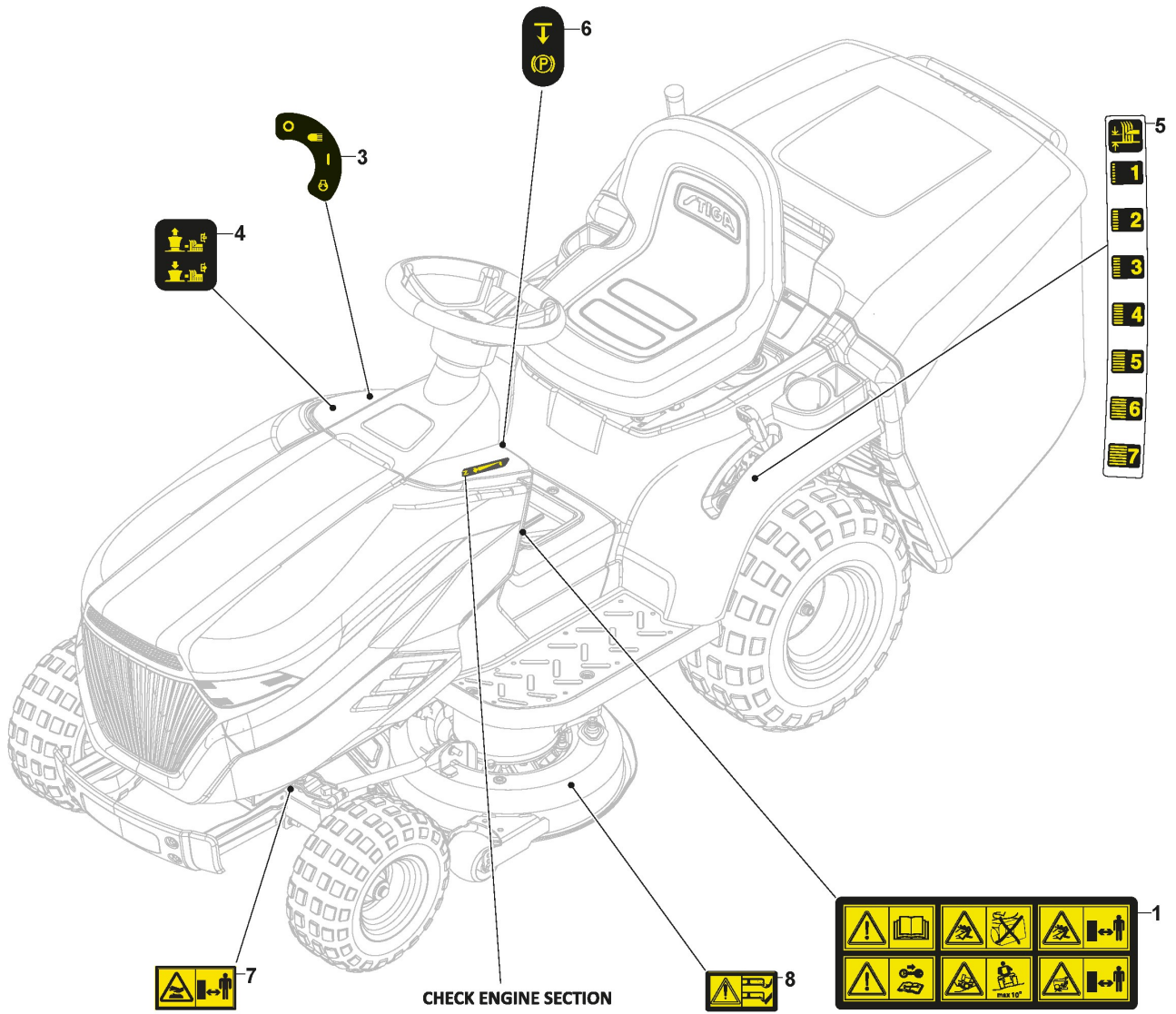
Engine - ST.

Ref.nr.	Antal	Komponentkode	Beskrivelse	Noter	From	Op til
1	1	125795001/1	Cap			
2	4	125943010/0	Screw			
3	1	325735126/0	Fuel Tank			To S/N DD305061
3	1	325735126/1	Tank		From S/N 22000000	
4	4	118375051/1	Fair Led			
5	1	325869057/0	Connecting Tube			
6	1	118562996/0	Shut out valve			To S/N 21GA3RON 003918
6	1	118566119/0	Shut out valve		From S/N 21GA3RON	
11	4	112735108/1	Screw			
12	1	127598060/0	Oil Discharge Extension			
13	1	118401001/1	Oil Seal			
14	1	118737849/0	Plug			
15	1	325108044/1	Conveyor	if foreseen in assortment		
16	1	325263302/1	Air Intake Grill	if foreseen in assortment		To 000000
16	1	325263318/0	Air Intake Grill	if foreseen in assortment	From 01-July-202 1	
21	2	112792611/0	Screw			
22	2	112540260/0	Washer			
23	1	382598045/0	Muffler Protection			To S/N 22LA3RON
23	1	382598045/1	Muffler Protection		From S/N 19GA3RON	To S/N 22LA3RON
23	1	382598045/2	Muffler Protection		From S/N 200516	004030
24	1	182750010/0	Muffler			
25	2	112360425/0	Nut			
26	2	112792611/0	Screw			
27	2	112540260/0	Washer			
28	1	118738231/1	Exhaust Tube			To S/N 22KA3RON 013347
28	1	118738231/2	Exhaust Connection Tube		From S/N 22KA3RON	
29	2	112737450/0	Screw			
30	2	112540260/0	Washer			
35	1	325394531/0	Knob			
36	1	182000215/0	Accelerator			
37	1	112726388/0	Screw	White Galvanized		
37	1	112726389/0	Screw	Black Galvanized		
38	1	112290800/0	Nut			
39	2	112726388/0	Screw	White Galvanized		
39	2	112726389/0	Screw	Black Galvanized		
40	2	112540020/0	Washer			
41	2	112521310/0	Washer			
42	1	114363697/0	Label			



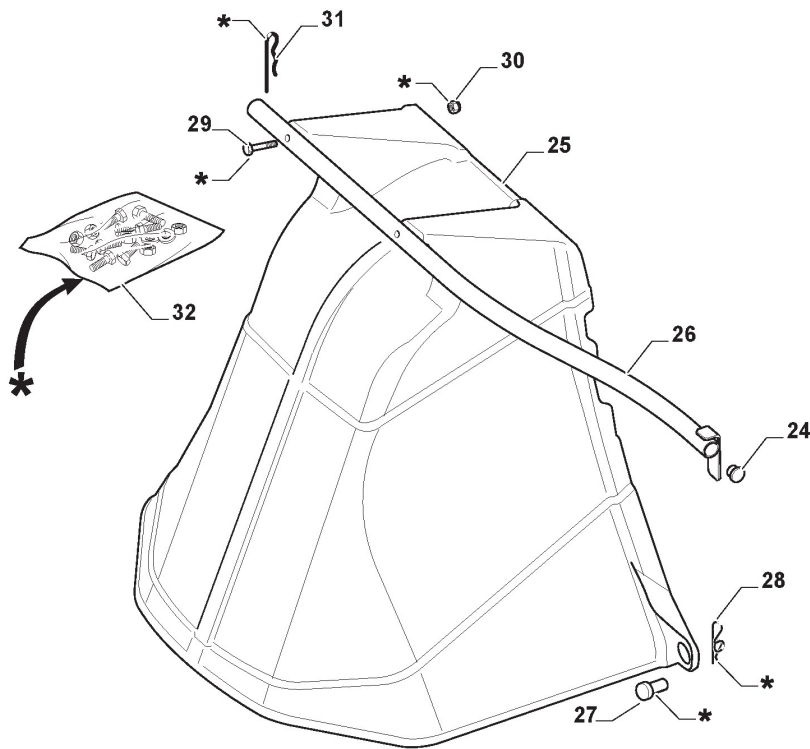
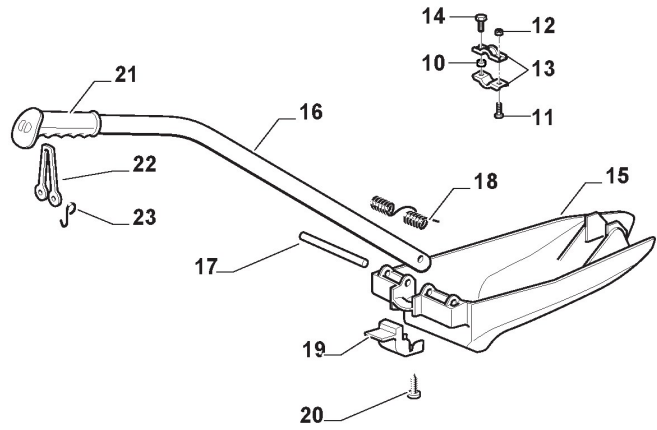
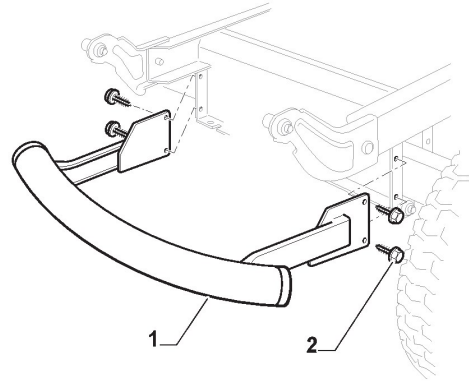
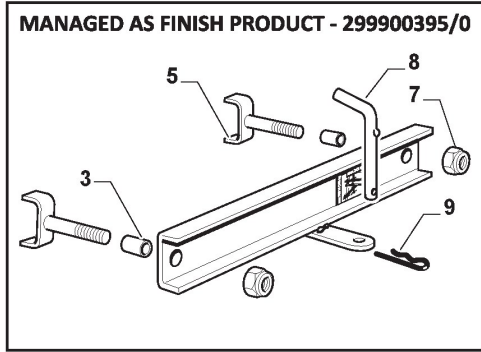
Electrical Parts

Ref.nr.	Antal	Komponentkode	Beskrivelse	Noter	From	Op til
1	1	182040199/1	Cables Ass.Y			
1	1	182040199/1	Cables Ass.Y			
2	1	382722444/1	Electronic Card	"LS" marked		To S/N
2	1	382722472/0	Electronic Card	"LS" marked	From S/N	21KA3RON
2	1	382722472/1	Electronic Card	"LS" marked	From S/N	102821
3	1	325600090/1	Card Protection		22CA3RON	
4	1	118450075/1	Starting Switch		013550	
5	3	112727810/0	Screw			
6	1	118210023/0	Starting Key			
7	1	118120007/0	Battery			
8	1	125430265/1	Spring			
9	1	118400863/0	Screwed Ring			
10	1	119410609/1LC	Micro Switch			
13	1	133567000/0	Relay	Only for Honda Engines		
14	1	119410623/0	Microswitch			
15	2	133215000/0	Cover			
16	2	133340036/0	Fuse 25 A	25A		
16	2	133340040/0	Fuse 10 A	10A		
17	2	133500007/0	Fuse Carrier			
18	1	118450073/0	Clutch Switch	Yellow		
18	1	118450074/0	Clutch Switch	Red		
19	2	119410622/1	Microswitch			
20	1	182040186/0	Cable			
21	2	118459100/0	Lamp For Lights			
22	1	119410605/1	Microswitch			
25	1	182180090/0	Battery Charger 12V 1A - CE Plugg	CE Plug		
26	1	325605003/0	Button			
27	2	325256250/0	Screwed Ring			
28	1	182040174/0	Led Wiring Assy	LED cable for alarm on dashboard		
51	1	118736112/0	Solenoid			
52	2	112361005/0	Nut			
53	1	125065002/0	Cable			
54	1	118564864/1	Protection			
55	1	112790781/0	Screw			
56	2	112154510/0	Nut			



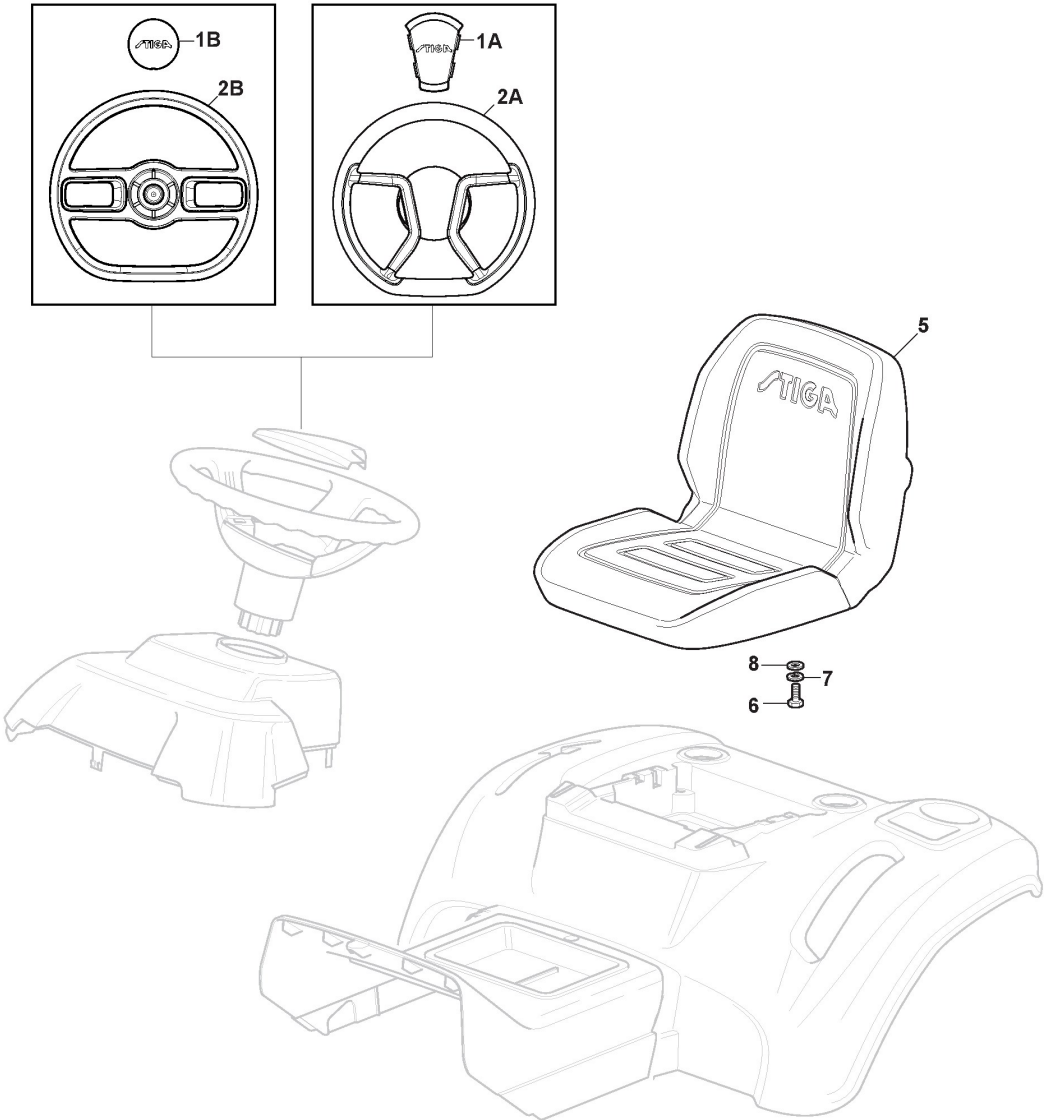
Labels

Ref.nr.	Antal	Komponentkode	Beskrivelse	Noter	From	Op til
1	1	114361553/1	Label	No more used from 01.11.2022		
3	1	114363699/0	Label			
4	1	114361438/0	Label			
5	1	114363701/0	Label			To
5	1	114366142/0	Label		From 01-September-2014	
6	1	114363700/0	Label			
7	1	114364961/3	Label			
8	1	114356699/1	Label			



Optionals On Request

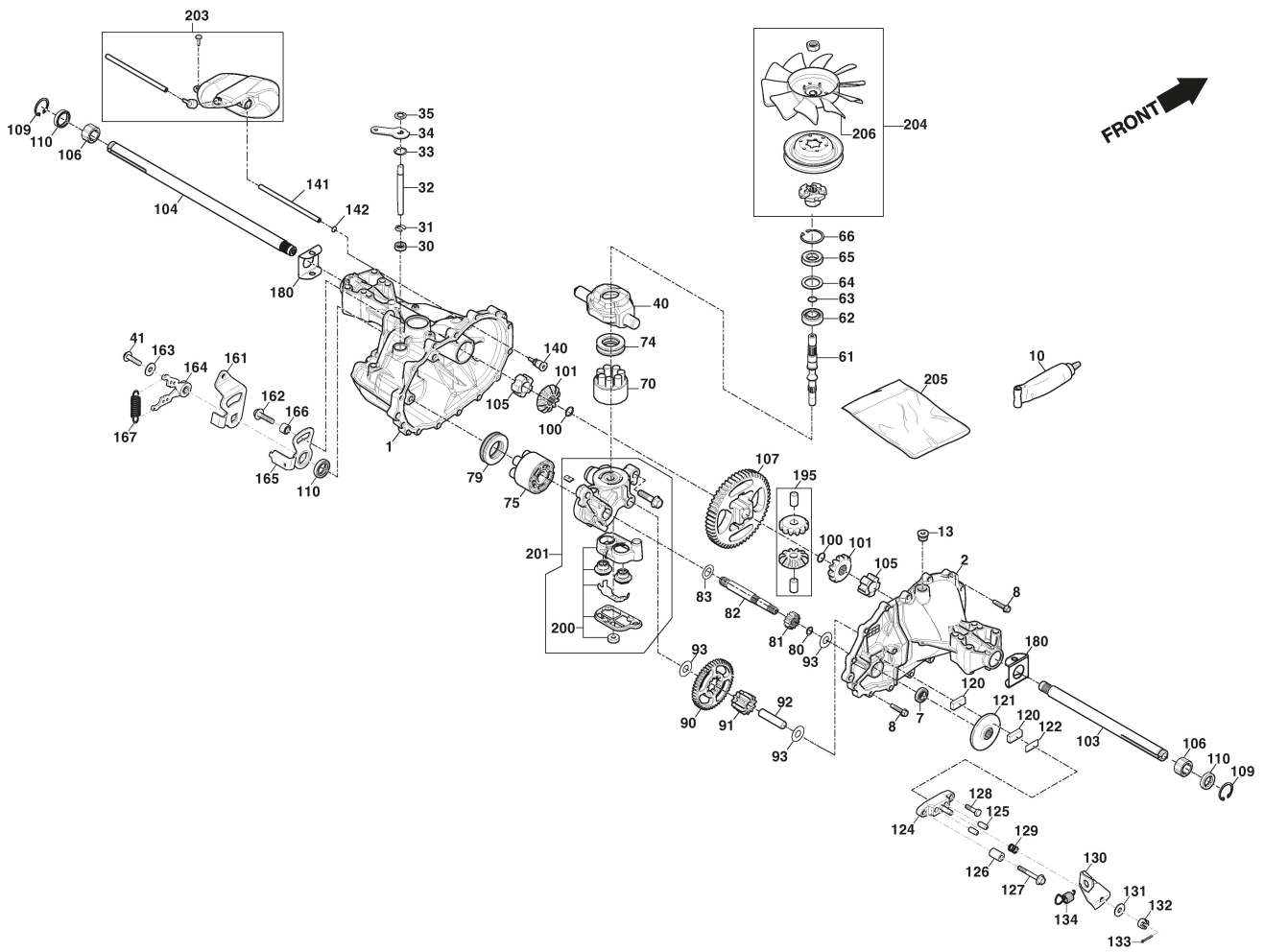
Ref.nr.	Antal	Komponentkode	Beskrivelse	Noter	From	Op til
1	1	382869038/0	Muffler Protection			
2	4	112735599/0	Screw			
3	2	125160074/0	Spacer			To S/N
3	2	125160108/0	Spacer		From S/N	19JA3RON 001409
5	2	382650211/0	Stiffening			
7	2	112155000/0	Nut			
8	1	125510021/1	Hitch Pin			
9	1	124487999/0	Spring Pin			
10	1	122170600/0	Spacer			
11	1	112792099/0	Screw			
12	3	112292102/0	Nut			
13	2	327546015/2	Plate			
14	1	112791400/0	Screw			
15	1	325140104/0	Deflector			To
15	1	325140104/1	Deflector		From	01-Septem ber-2013
16	1	325394021/0	Handle			
17	1	125510077/0	Pin			
18	1	125430245/0	Spring			
19	1	325547320/0	Plate			
20	1	112735403/0	Screw			
21	1	325280000/1	Handgrip			
22	1	125840011/1	Tie Rod			
23	2	125253004/0	Mulch.Kit Fixing Hook			
24	2	118566112/0	Polyethylene Push Road Ivars D=20inch			
25	1	325600093/0	Ejection Guard			To
25	1	325600093/1	Ejection Guard		From	31-August- 2017
26	1	382869044/0	Support			
27	2	125510022/1	Pin			
28	2	124487998/0	Cotter Pin			
29	2	112689515/0	Screw			
30	2	112154510/0	Nut			
31	1	124487999/0	Spring Pin			
32	1	382180028/0	Outfit, Screws			



Seat & Steering Wheel

Ref.nr.	Antal	Komponentkode	Beskrivelse	Noter	From	Op til
1A	1	325580510/0	Steering Plate Cover			To
1B	1	325580511/0	Steering Plate Cover		From	28-October-2020
2A	1	325961226/0	Steering wheel			To
2B	1	325961227/0	Steering wheel		From	28-October-2020
5	1	125722477/0	Seat			
6	4	112792611/0	Screw			
7	4	112540260/0	Washer			
8	4	112523060/0	Washer			

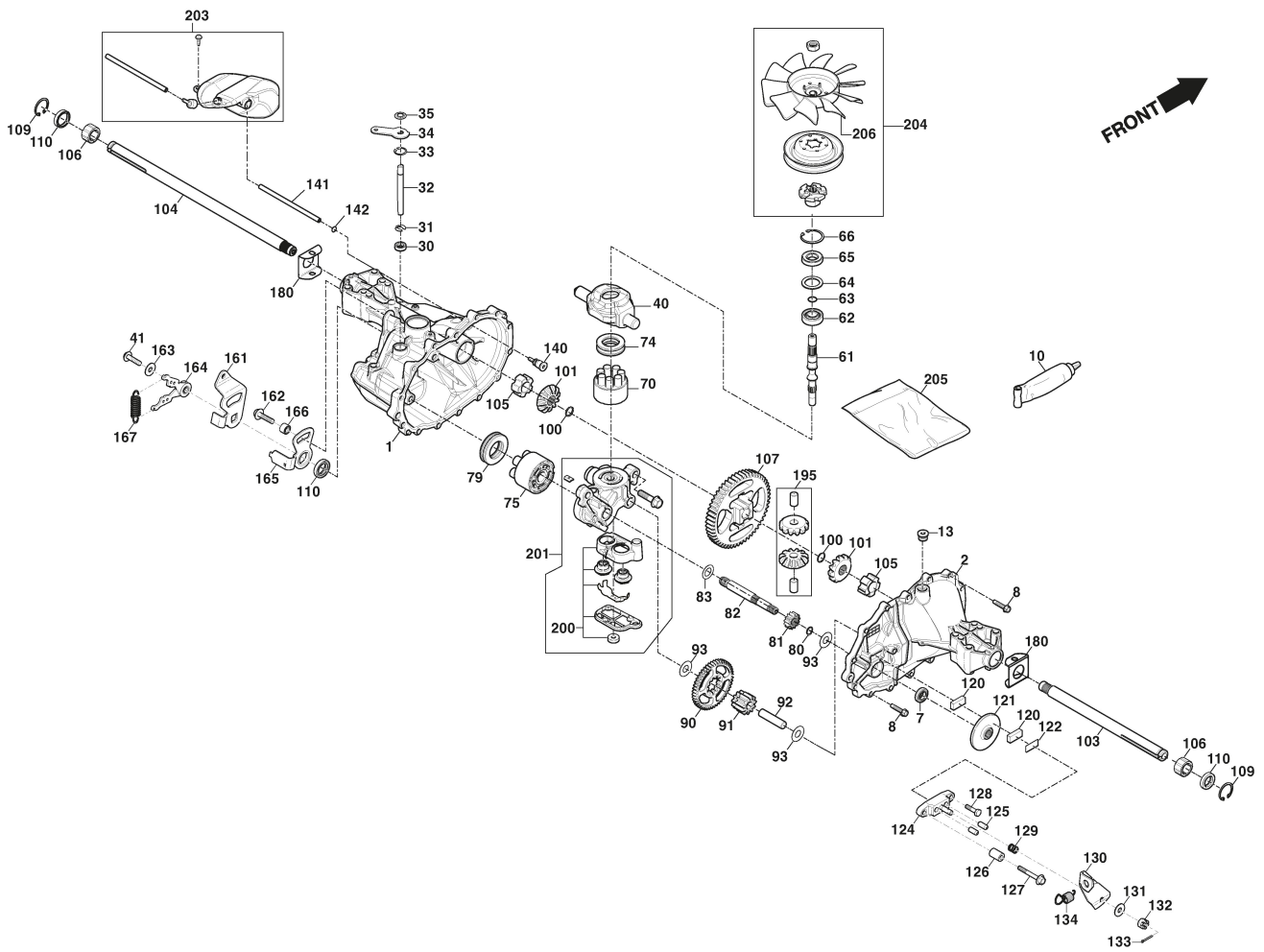
Transmission Unit, Hydro-Gear T2-ADBF-2X3C-1RX1



Transmission Unit, Hydro-Gear T2-ADBF-2X3C-1RX1

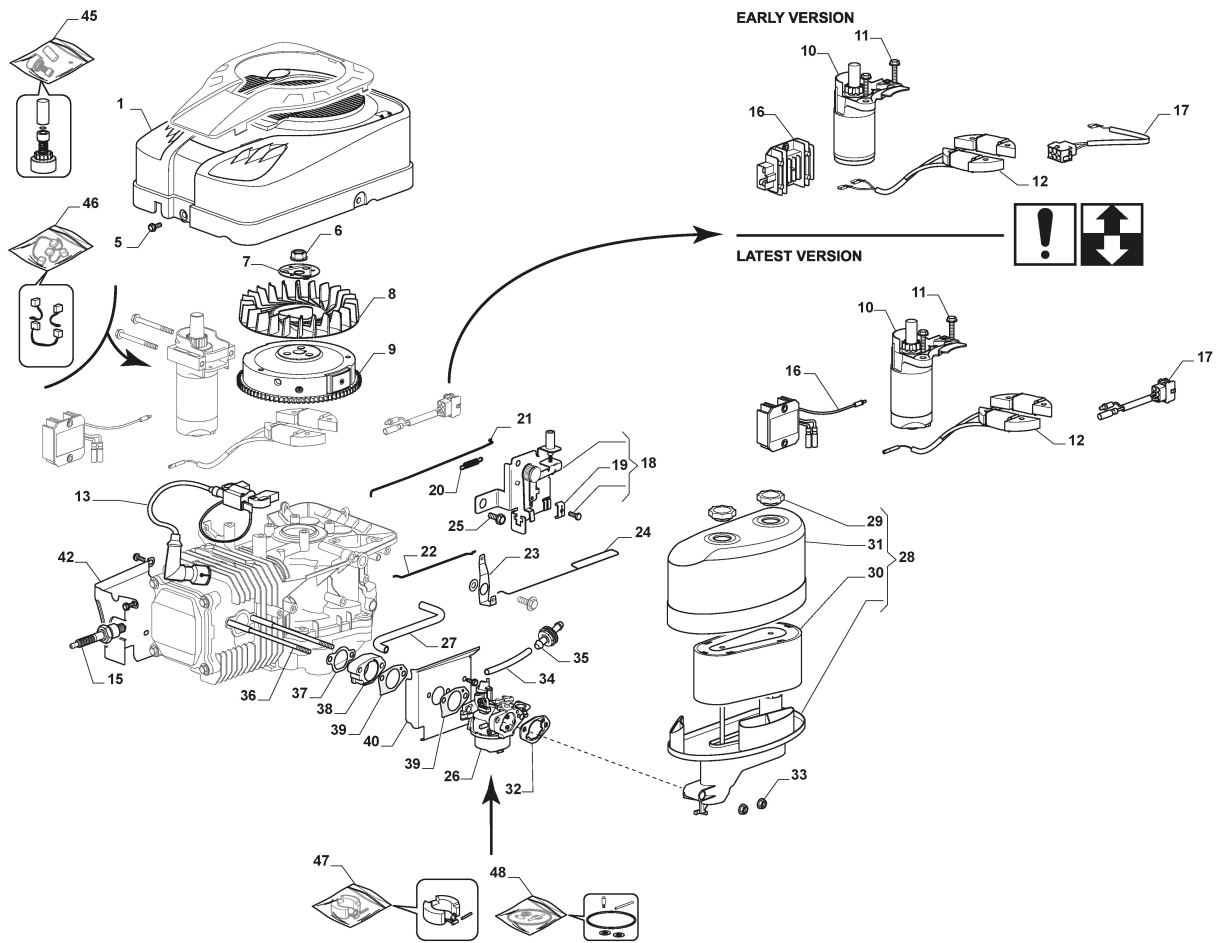
Ref.nr.	Antal	Komponentkode	Beskrivelse	Noter	From	Op til
1	1	118870120/0	Main Housing			
2	1	118870121/0	Side Housing			
7	1	118870111/0	Seal			
10	1	1139-2022-01	Sealant			
30	1	118870079/0	Seal			
31	1	118870081/0	Retaining ring			
32	1	1139-2203-01	Rod			
33	1	118870080/0	Retaining ring			
34	1	118870091/0	Arm			
35	1	118870082/0	Retaining ring			
40	1	118870090/0	Swashplate			
41	1	118870083/0	Screw			
61	1	118870092/0	Shaft			
62	1	1139-2001-01	Ball Bearing			
63	1	1139-2003-01	Wire Retaining Ring			
64	1	1139-2004-01	Spacer			
65	1	1139-2000-01	Lip Seal			
66	1	1139-2002-01	Retaining Ring			
70	1	118870125/0	Pump Block Assy			
74	1	118870093/0	Bearing			
75	1	1139-2063-01	Cylinder Block			
79	1	1139-2021-01	Thrust Bearing			
80	1	118870070/0	Retaining ring			
81	1	118870094/0	Gear			
82	1	118870095/0	Shaft			
83	1	118870096/0	Washer			
90	1	118870097/0	Gear			
91	1	118870098/0	Gear			
92	1	118870099/0	Pin			
93	3	1139-2016-01	Washer			
100	2	118870072/0	Retaining ring			
101	2	118870063/0	Gear			
103	1	118870114/0	Shaft			
104	1	118870113/0	Shaft			
105	2	118870086/0	Bushing			
106	2	118870085/0	Bushing			
107	1	118870100/0	Gear			
109	2	118870084/0	Retaining ring			
110	3	1139-2204-01	Shaft			
120	2	118870066/0	Brake Pad			
121	1	118870101/0	Brake			
122	1	118870067/0	Brake Pad Support			
124	1	118870119/0	Brake Caliper			
125	2	118870069/0	Pin			
126	1	118870062/0	Spacer			
127	1	118870077/0	Screw			
128	1	118870071/0	Bolt			
129	1	118870076/0	Spring			

Transmission Unit, Hydro-Gear T2-ADBF-2X3C-1RX1



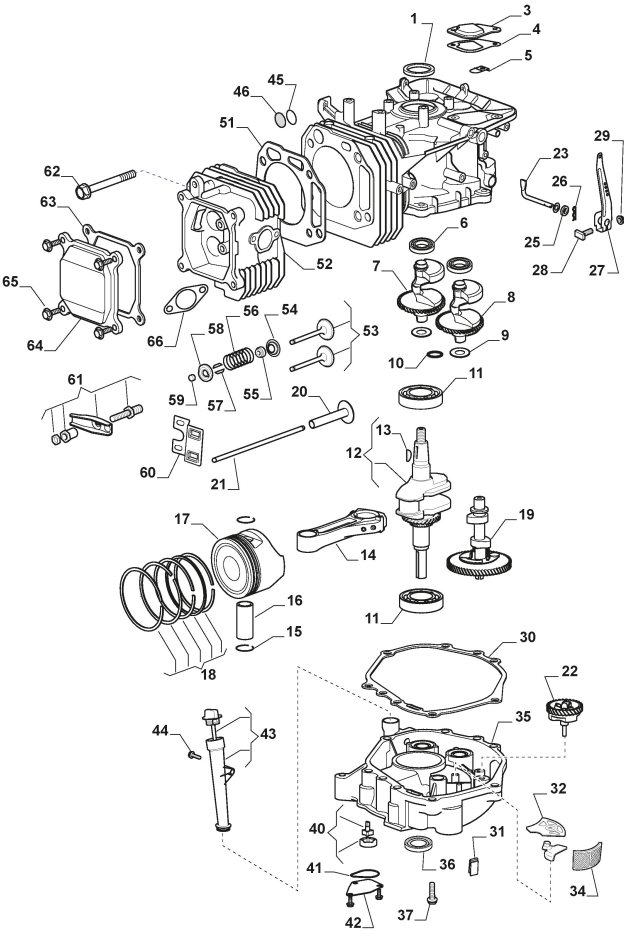
Transmission Unit, Hydro-Gear T2-ADBF-2X3C-1RX1

Ref.nr.	Antal	Komponentkode	Beskrivelse	Noter	From	Op til
130	1	118870088/0	Brake Lever			
132	1	118870068/0	Nut			
133	1	118870065/0	Pin			
134	1	118870078/0	Spring			
140	1	1139-2038-01	Fitting			
141	1	118870102/0	Tube			
142	1	1139-2075-01	O-Ring			
161	1	118870103/0	Arm			
164	1	118870107/0	Arm Assy			
165	1	118870108/0	Arm			
166	1	118870104/0	Bushing			
167	1	118870089/0	Spring			
180	2	118870112/0	Plate			
195	1	118870126/0	Kit-Gears and Pins			
200	1	118870123/0	Kit-Filter			
201	1	118870127/0	Center Section Kit			
203	1	118870122/0	Kit-Expansion Tank			
204	1	1139-2201-01	Kit, Fan Pulley			
205	1	118870124/0	Kit-Seal			
206	1	118870129/0	Fan			



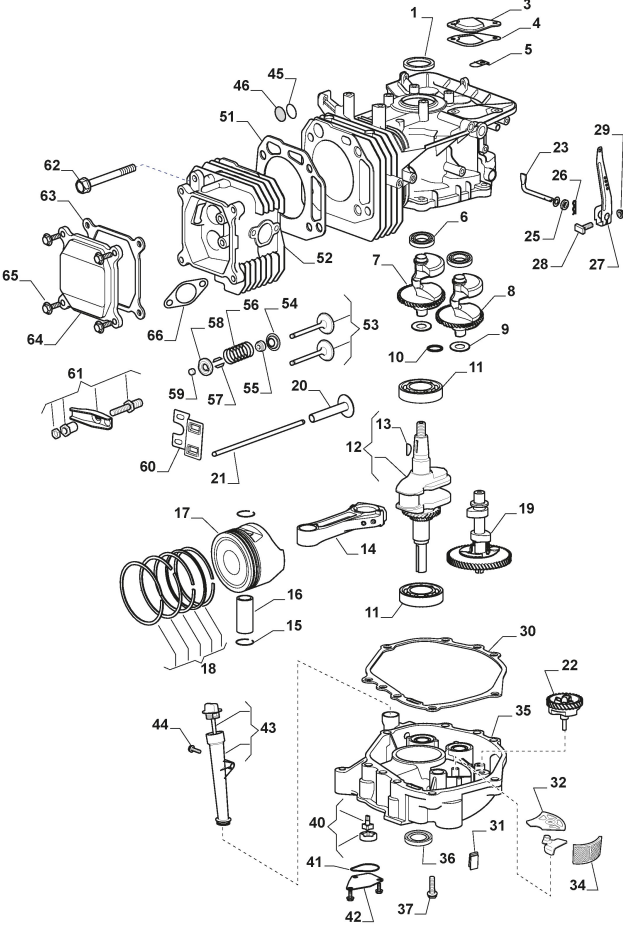
Engine - Carburettor, Tank

Ref.nr.	Antal	Komponentkode	Beskrivelse	Noter	From	Op til
1	1	118550516/0	Cover			
5	4	112791213/1	Screw			
6	1	118550237/0	Nut			
7	1	118550236/0	Starter Cup			
8	1	118550235/1	Flywheel Fan			
9	1	118550234/2	Flywheel Ass.Y			
10	1	118550214/0	Start Motor Assy	early version		
10	1	118551440/0	Start Motor Assy	latest version		
11	2	112691100/0	Screw	early version		
11	2	112691100/0	Screw	latest version		
12	1	118550210/1	Coil Assy, Charge	early version		
12	1	118551441/0	Coil Assy, Charge	latest version		
13	1	118550209/1	Elettronic Coil	early version		
13	1	118551438/0	Elettronic Coil	latest version		
15	1	9400-0244-00	Spark Plug			
16	1	118550208/1	Rectfier	early version		
16	1	118551428/1	Rectfier	latest version		
17	1	118550207/1	Output Wire, Rectifier	early version		
17	1	118551439/0	Output Wire, Rectifier	latest version		
18	1	118550331/1	Remote Control Assy			
19	1	118550212/0	Casing Clamp			
20	1	118550213/0	Spring			
21	1	118551219/0	Governor Link			
22	1	118551218/0	Rod Choke			
23	1	118551267/0	Bracket			
24	1	118551221/0	Throttle Rod			
25	2	118551277/0	Bolt			
26	1	118551515/0	Carburetor			
27	1	118550225/1	Breather Fule Pipe			
28	1	118550202/2	Air Cleaner Assy			
29	2	118550201/0	Knob			
30	1	118550199/0	Air Filter			
31	1	118550200/0	Air Cleaner Cover			
32	1	118550762/0	Air Filter Gasket			
33	2	112292102/0	Nut			
34	1	118551514/0	Fuel Pipe			
35	1	118550354/1	Fuel Filter			
36	2	118551279/0	Double-Screw Bolt			
37	1	118551263/0	Intake Manifold Gasket			
38	1	118551265/0	Intake Manifold			
39	2	118551262/0	Carburetor Gasket			
40	1	118551259/0	Guard			
42	1	118551260/0	Guard			
45	1	118550365/1	Kit Repair			
46	1	118550332/1	Brushhold			
47	1	118550440/0	Kit Repair, Carburettor			
48	1	118550442/0	Carburettor Gasket Set			



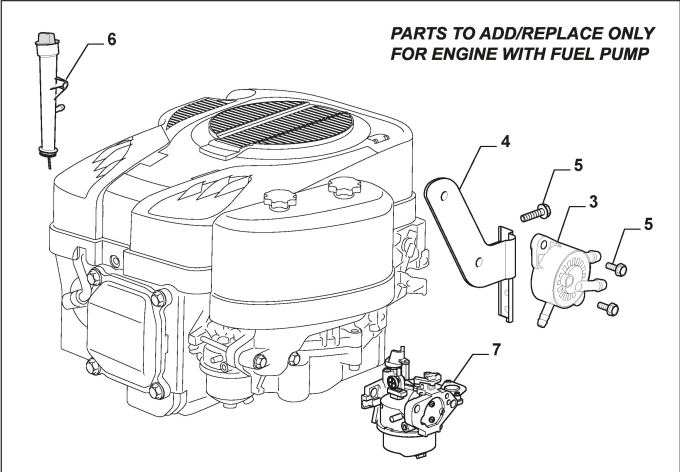
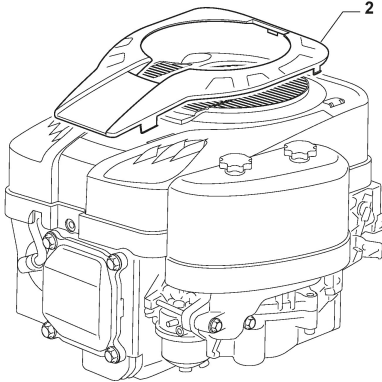
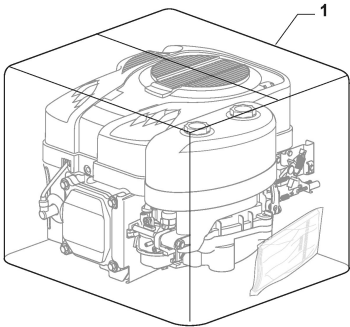
Engine - Piston, Crankshaft

Ref.nr.	Antal	Komponentkode	Beskrivelse	Noter	From	Op til
1	1	118550443/0	Oil Seal			
2	1	118551224/0	Crankase			
3	1	118551227/0	Cover			
4	1	118551229/0	Gasket			
5	1	118550303/0	Plate			
6	2	118551284/0	Bearing			
7	1	118551242/0	Counterweight			
8	1	118551243/0	Counterweight			
9	2	118551282/0	Washer			
10	1	118551286/0	O Ring			
11	2	118550227/0	Ball Bearing			
12	1	118550232/0	Crankshaft			
13	1	118550288/0	Woodruff Key			
14	1	118550231/1	Connecting Rod Assy			
15	2	118551283/0	Washer, Piston Pin			
16	1	118551241/0	Piston Pin			
17	1	118551240/0	Piston			
18	1	118550510/0	Piston, Ring Set			
19	1	118551511/0	Camshaft assy			
20	2	118551252/0	Valve Lifter			
21	2	118550242/1	Push Rods Assy			
22	1	118551506/0	Speed Governor Assy			
23	1	118551505/0	Shaft, Governor Arm			
25	1	118551285/0	Oil Seal			
26	1	118550856/0	Cotter Pin			
27	1	118551220/0	Arm Governor Assy			
28	1	118550805/0	Screw			
29	1	118550806/0	Nut			
30	1	118550355/1	Crankcase Gasket			
31	1	118551258/0	Grommet			
32	1	118551257/1	Cover			
34	1	118551256/1	Oil Strainer			
35	1	118551207/0	Crankase Cover			
36	1	118550443/0	Oil Seal			
37	4	112691115/0	Screw			
40	1	118550224/1	Oil Pump			
41	1	118551507/0	Gasket			
42	1	118550223/0	Oli Pump Cover			
43	1	118550444/1	Oil Filler Assy			
44	1	112674701/0	Screw			
45	1	118551230/0	Breather Valve			
46	1	118551228/0	Cover			
51	1	118551236/0	Gasket			
52	1	118551231/0	Cylinder Head			
53	1	118551290/0	Valve Assy, Intake + Exhaust			
54	2	118551245/0	Plate			
55	2	118551248/0	Gasket			
56	2	118550529/0	Spring Valve			



Engine - Piston, Crankshaft

Ref.nr.	Antal	Komponentkode	Beskrivelse	Noter	From	Op til
57	4	118551247/0	Valve keeper			
58	2	118551246/0	Retainer			
59	2	118551244/0	Valve cap			
60	1	118551255/0	Plate			
61	1	118551510/0	Valve Arm Set			
62	4	118551278/0	Screw			
63	1	118551531/0	Gasket			
64	1	118551534/0	Cover Comp., Head			
65	4	118551535/0	Bolt			
66	1	118551272/0	Muffler Gasket			



Engine, Fuel Pump

Ref.nr.	Antal	Komponentkode	Beskrivelse	Noter	From	Op til
1	1	118550526/1	Engine Assembled			
2	1	325055000/0	Hood, Red			
2	1	325055001/0	Cover Ring, Yellow			
2	1	325055002/0	Hood, Black			
3	1	118551578/0	Fuel pump			
4	1	118550348/1	Fuel Pump Stiffening			
5	4	112791400/0	Screw			
6	1	118550444/1	Oil Filler Assy			
7	1	118552514/0	Carburettor			