

# STIGA

## ESTATE 2084 (2021)

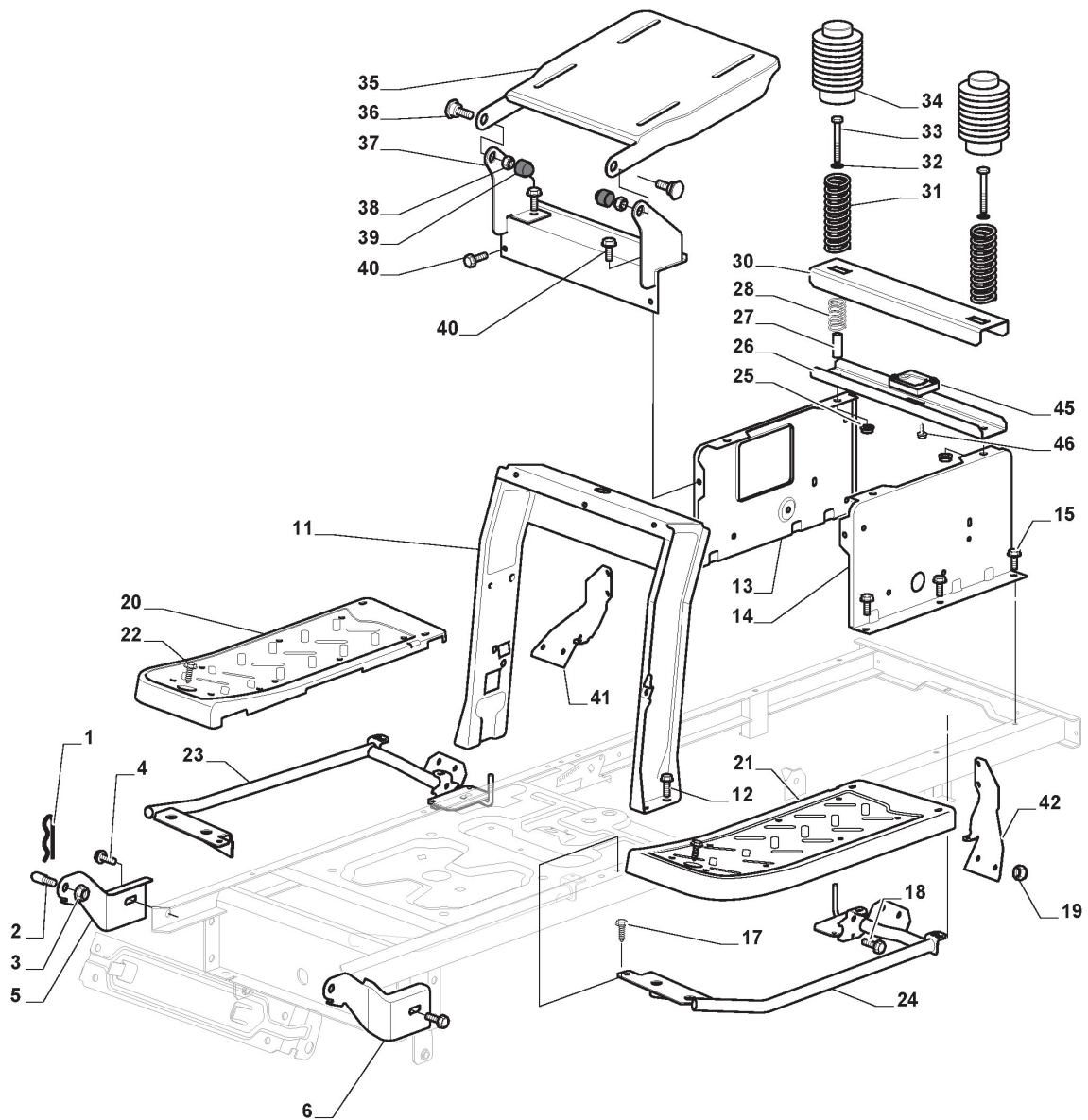
2T2000481/ST2



### Spare parts list Reservdelar Repuestos Ersatzteile Pièces détachées Reserve onderdelen Catalogo ricambi

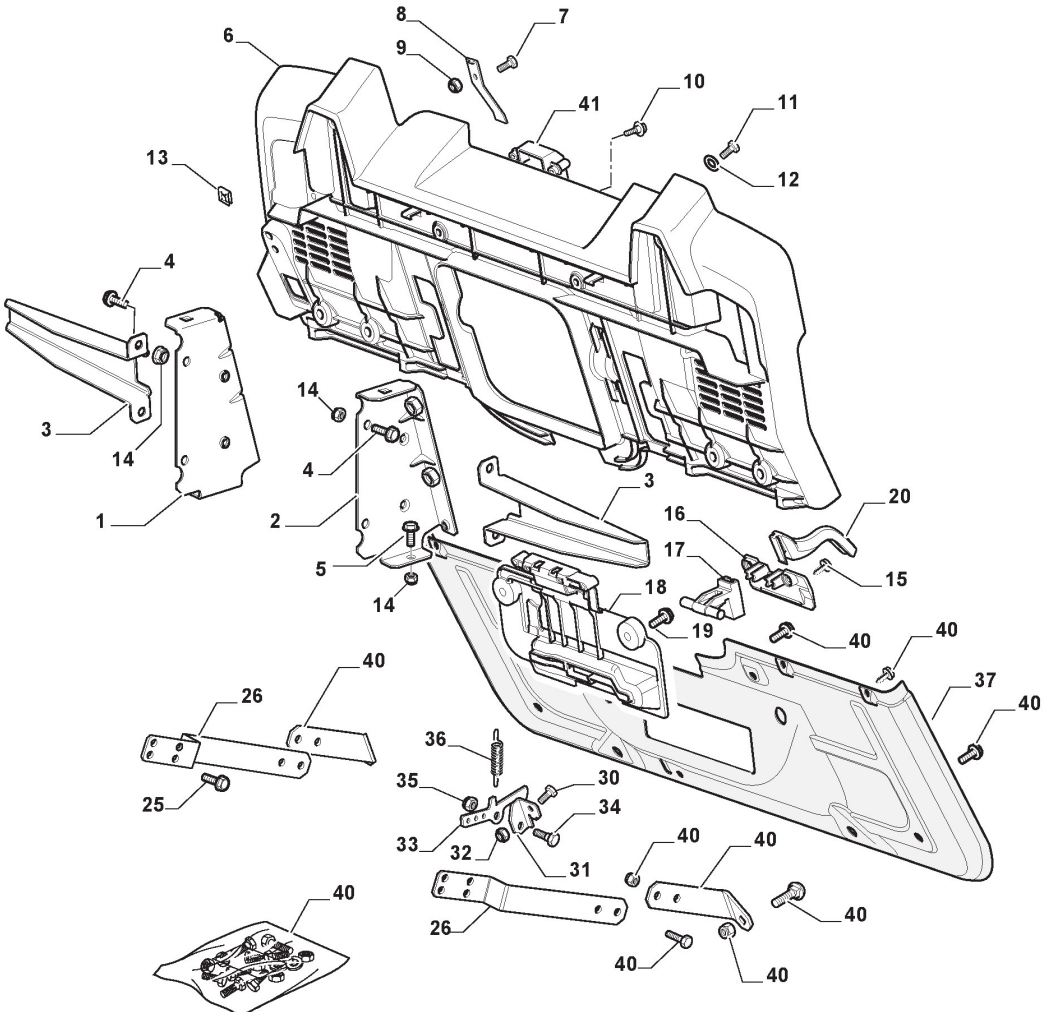
- Use ST. S.p.A. Genuine Spare Parts specified in the parts list for repair and/or replacement.
- The contents described in the parts list may change due to improvement.
- The drawings of the spare parts are only indicative And might Not represent the part in question exactly.
- The indications "right" - "left" - "front" - "rear" refer to the position of the operator when using the machine.
- When placing orders of parts for repair And/Or replacement, make sure that the illustrated parts list Is the one applying to the machine's year of manufacture, as shown on the identification plate attached to the machine.

All rights reserved. No part Of this material may be reproduced Or transmitted, in any form Or by any means, electronic Or mechanical, including photocopying, recording Or by any information storage And retrieval system, without permission in writing from ST. S.p.A.



# Chassis

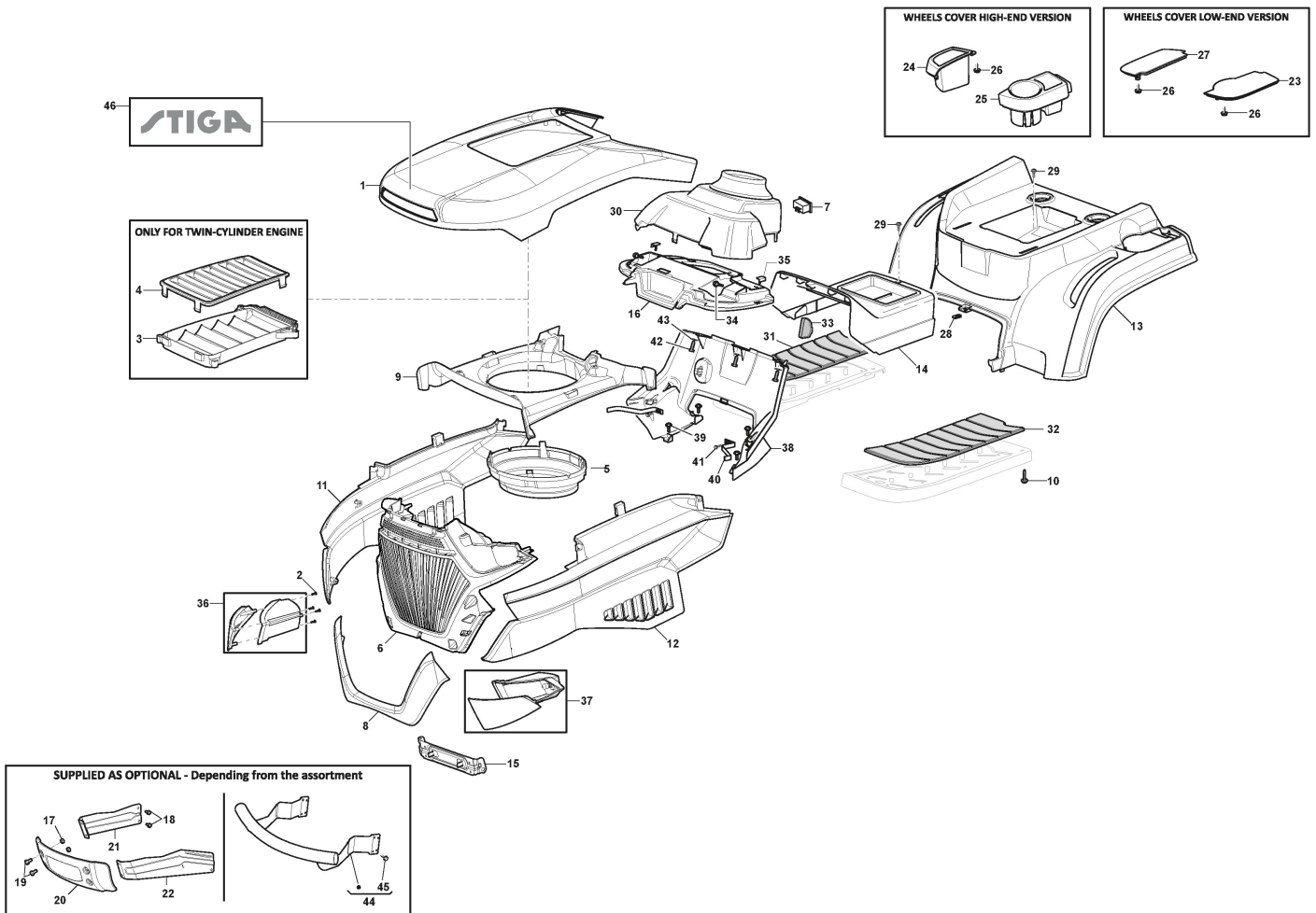
Ref.nr.	Antal	Komponentkode	Beskrivelse	Noter	From	Op til
1	1	124487998/0	Cotter Pin			
2	2	125510079/0	Pin			To S/N 19DA3RON
2	2	125510169/0	Pin		From S/N 19DA3RON 003315	
3	2	112155000/0	Nut			
4	2	112735599/0	Screw			
5	1	325547225/0	Right Plate			
6	1	325547227/0	Left Plate			
11	1	382785169/1	Steering Column Support			
12	4	125943009/0	Screw			
13	1	325785331/1	Right Seat Support			
14	1	325785333/1	Left Seat Support			
15	6	125943009/0	Screw			
17	2	125943009/0	Screw			
18	2	125943009/0	Screw			
19	10	112155000/0	Nut			
20	1	325500041/1	Right Footboard			
21	1	325500043/1	Left Footboard			
22	2	112735599/0	Screw			
23	1	382785223/0	Footboard Support			
24	1	382785221/0	Footboard Support			
25	2	112293201/0	Nut			
26	1	325820109/1	Seat Support			
27	2	125160048/0	Spacer		From 01-September-2014	To
27	2	125160077/0	Spacer			
28	2	125430263/0	Spring			
30	1	325820111/0	Support			
31	2	125430264/0	Spring			
32	2	112521350/0	Washer			
33	2	112691400/0	Screw			
34	2	325122002/0	Hood			
35	1	382547061/0	Plate			
36	2	122524970/2	Fulcrum Pin			To
36	2	122524970/3	Pin		From 01-September-2014	To S/N 20EA3RON
37	1	382820151/0	Seat Support		From S/N 20EA3RON 000612	
37	1	382820151/1	Seat Support			
38	2	112155010/0	Nut			
39	2	118203854/0	Cap			
40	12	125943009/0	Screw			
41	1	325650155/0	Support			To S/N 00271854
41	1	325650155/1	Support		S/N 269797	To S/N 20EA3RON
41	1	325650155/2	Support		From S/N 20BA3RON 006585	
42	1	325650157/0	Support			To S/N 20EA3RON
42	1	325650157/1	Support		From S/N DD325495 From S/N 20EA3RON	To S/N 20AA3RON 007470
42	1	325650157/2	Support			
45	1	325785379/0	Support			
46	2	112728686/0	Screw			





## Frame - Rear Plate

Ref.nr.	Antal	Komponentkode	Beskrivelse	Noter	From	Op til
1	1	325774501/0	Clamp			
2	1	325774507/0	Clamp			To
2	1	325774507/1	Left Clamp Bracket		From 01-September-2021	
3	2	325650163/0	Stiffening			
4	8	112792611/0	Screw		From 20-November-2021	To
4	8	125943009/0	Screw			
5	2	112792611/0	Screw		From 20-November-2021	To
5	2	125943009/0	Screw			
6	1	325547299/1	Rear Plate, Upper Part			
7	1	112789008/0	Screw			To
7	1	112789021/0	Screw		From 01-January-2022	
8	1	127430600/0	Spring			
9	1	112154330/0	Nut			
10	4	125943010/0	Screw			
11	6	112789008/0	Screw			To
11	6	112789021/0	Screw		From	31-December-2021
12	6	112523020/0	Washer			
13	6	112437503/0	Plate			
14	10	112155000/0	Nut			
15	2	112728686/0	Screw			
16	1	325109522/0	Protection Cover			
17	1	325318276/0	Gearshift			
18	1	325785428/0	Support			
19	2	125943010/0	Screw			
20	1	325318277/0	Lever	Also on endowment p40		
25	4	112793102/0	Screw			
26	2	325774521/0	Clamp			
30	1	112789008/0	Screw			To
30	1	112789021/0	Screw		From 01-January-2022	
31	1	325755061/0	Bracket			
32	1	112154330/0	Nut			
33	1	325774533/0	Clamp			
34	1	125510080/2	Pin			
35	1	112154510/0	Nut			
36	1	125430282/1	Spring			
37	1	382547071/1	Plate			
40	1	382180146/0	Outfit, Screws			
41	1	325600107/0	Micro Protection			



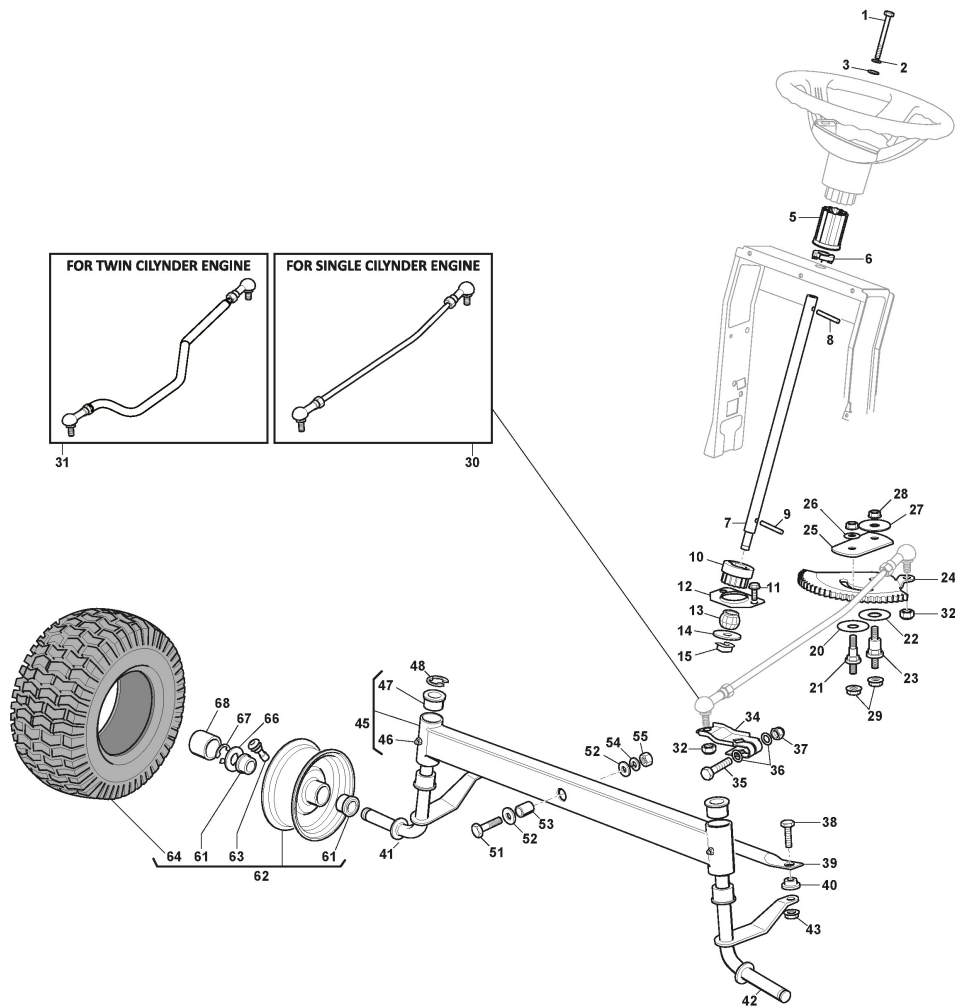
## Body Work

Ref.nr.	Antal	Komponentkode	Beskrivelse	Noter	From	Op til
1	1	325077005/0	Upper Engine Hood, Yellow	Yellow without Air Intake		
2	2	112728691/0	Screw			
3	1	325263313/0	Air Intake Grill	Only for Twin Cylinder Engine		
4	1	325263314/0	Air Intake Grill	Only for Twin Cylinder Engine		
5	1	325108108/0	Conveyor	For B&S Engine and ST. Single Cylinder Engine - Not for B&S 7200		
6	1	325076997/0	Frontal Bonnet			
7	1	9400-0384-01	Hour Meter	If foreseen		
8	1	325076998/0	Lower Hood, Front	Grey NCS S8000-N		
9	1	325108109/0	Air Intake Grill	Grey NCS S8000-N		
10	4	112735406/0	Screw			
11	1	325207283/0	Bonnet Right Side Cover, Grey	Grey NCS S8000-N		
12	1	325207284/0	Bonnet Left Side Cover, Grey	Grey NCS S8000-N		
13	1	325110438/1	Yellow Wheels Cover	Yellow		
14	1	325110463/0	Grey Central Cover	Grey NCS S8000-N		
15	1	325785551/0	Engine Hood Support			
16	1	325120259/2	Dashboard			
17	4	112155000/0	Nut			
18	4	112735599/0	Screw			
19	4	112792611/0	Screw			
20	1	382263501/0	Bumper			
21	1	382785255/0	Right Support			
22	1	382785257/0	Left Support			
23	1	325207197/0	Cover			
24	1	325207198/0	Cover			
25	1	325207199/0	Cover			
26	4	112735403/0	Screw			
27	1	325207196/0	Cover			
28	1	112437506/0	Plate			
29	3	125943010/0	Screw			
30	1	325120288/0	Dashboard			
31	1	325110384/0	Right Footboard Cover	As Optional - Not present on all assortment		
32	1	325110385/0	Left Footboard Cover	As Optional - Not present on all assortment		
33	1	325207191/0	Plate	Not needed for Hydro Model		
34	2	125943010/0	Screw			
35	2	325260003/0	Grommet			
36	1	382185516/0	Right Light Grill	For LAMP Version		
37	1	382185517/0	Left Light Grill	For LAMP Version		
38	1	325785298/0	Dashboard Support			
39	4	125943010/0	Screw			
40	2	325270325/0	Guide			
41	6	112735599/0	Screw			
42	3	112735406/0	Screw			
43	3	112523040/0	Washer			
44	1	382869037/0	Muffler Protection			
45	4	112735599/0	Screw			
46	1	114367495/1	Label			



## Steering - Sheet Metal Front Axle

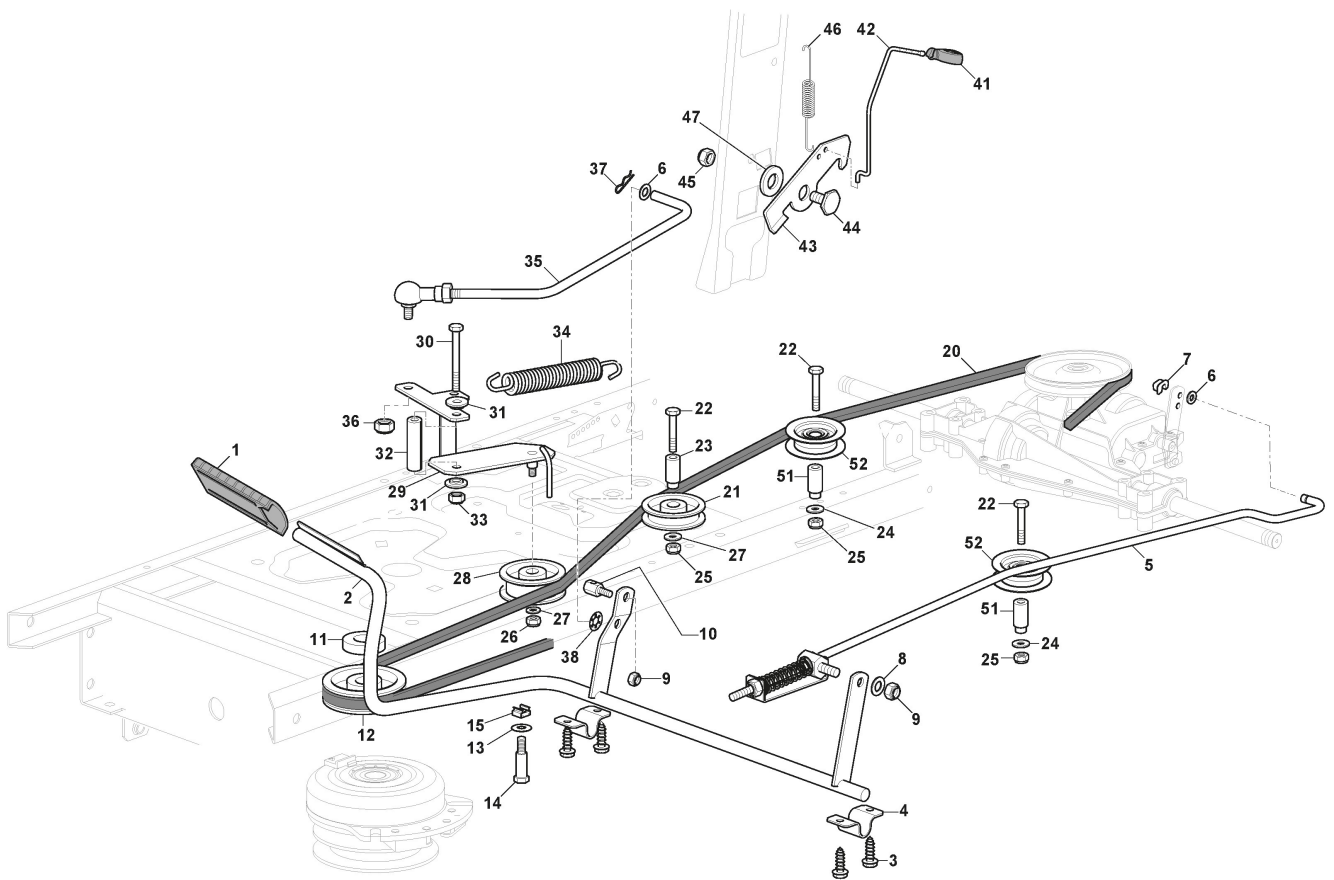
Ref.nr.	Antal	Komponentkode	Beskrivelse	Noter	From	Op til
1	1	112692100/0	Screw			
2	1	112540260/0	Washer			
3	1	112521360/0	Washer	Not for STIGA Brand Machine		
5	1	382785304/0	Support			
6	1	325038008/0	Bushing			
7	1	125520018/0	Steering Column			
8	1	112620300/0	Spring			
9	1	112622650/0	Dowel pin			
10	1	125570003/0	Pinion			
11	2	127943051/0	Screw			
12	1	325785213/1	Support			
13	1	325743000/0	Joint			
14	1	112521370/0	Washer			
15	1	112436030/0	Plate			
20	1	322672151/0	Antifriction Washer			
21	1	125510173/0	Pin			
22	1	125670023/0	Washer			
23	1	125510165/0	Pin			
24	1	325735519/0	Steering Sector			
25	1	325547233/0	Plate			
26	1	112369500/0	Elastic Washer			
27	1	122160400/0	Elastic Disc			
28	2	112155010/0	Nut			
29	2	112155010/0	Nut			
30	1	382000566/2	Steering Rod	for Single Cilynder Engine		
32	2	112156602/0	Nut			
34	1	382318323/0	Steering Control Lever			
35	1	112692395/2	Screw			
36	2	112521360/0	Washer			
37	1	112155020/0	Nut			
38	2	125510103/0	Pin			
39	1	325840029/0	Tie Rod	Steel		
40	2	325038007/0	Bushing			
41	1	382230373/1	Right Stub Axle	15"		
42	1	382230375/1	Left Stub Axle	15"		
43	2	112155000/0	Nut			
45	1	382034029/0	Rod	Steel		
46	2	112379511/0	Grease Dispenser			
47	4	125034002/1	Bushing			
48	1	112001010/0	Benzing Ring			
51	1	112692695/0	Screw			
52	2	112523100/0	Washer			
53	1	125160016/1	Spacer			
54	1	112587100/0	Grower			
55	1	112295300/0	Nut			
61	4	125122200/2	Bearing			
62	2	382680078/0	Wheel Assy	15" - P519		
63	2	125950000/0	Valve			



## Steering - Sheet Metal Front Axle

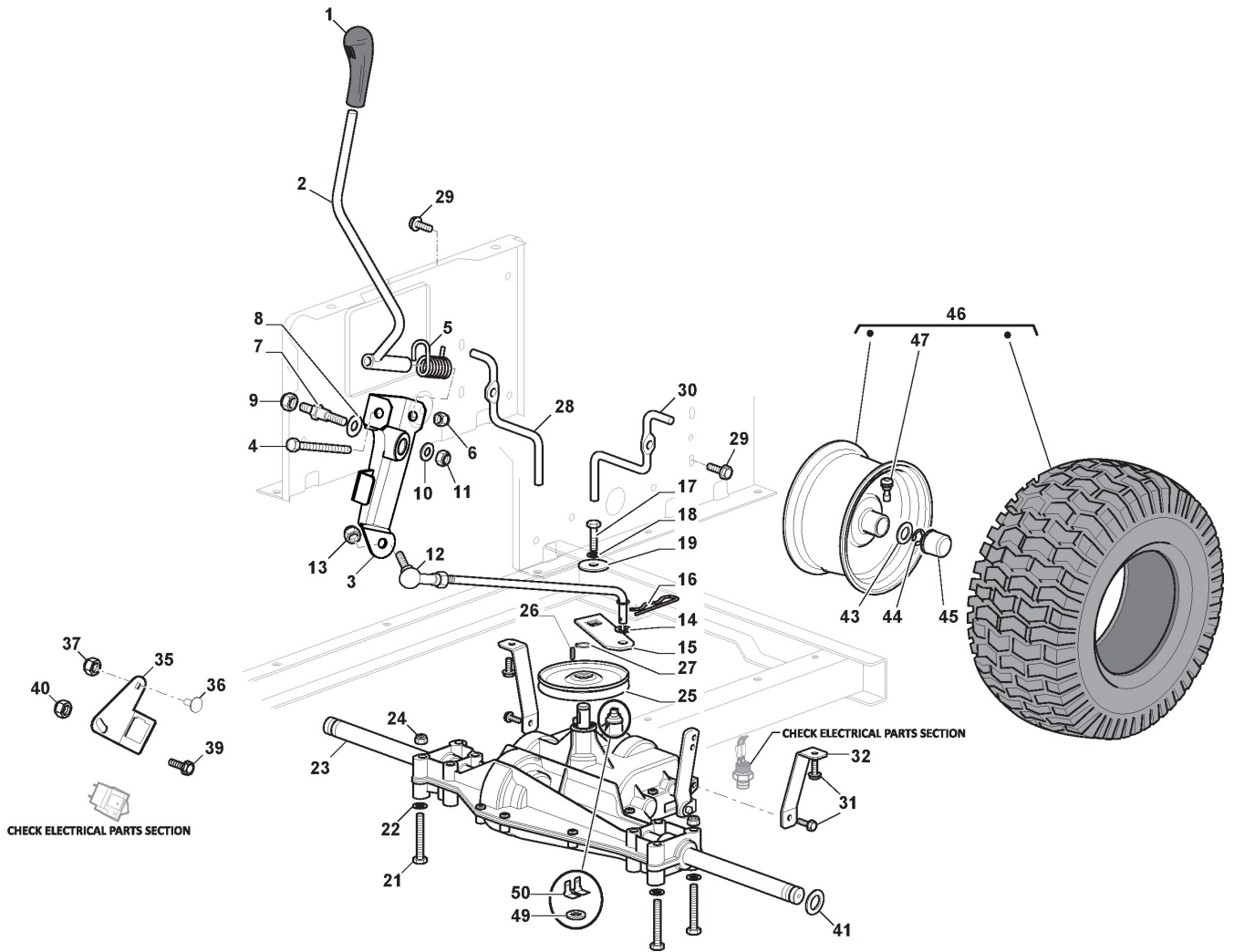
Ref.nr.	Antal	Komponentkode	Beskrivelse	Noter	From	Op til
64	2	125590020/0	Tyre	15"		
66	2	125670005/2	Washer			
67	2	112001010/0	Benzing Ring			
68	2	322110240/0	Hub Cap			





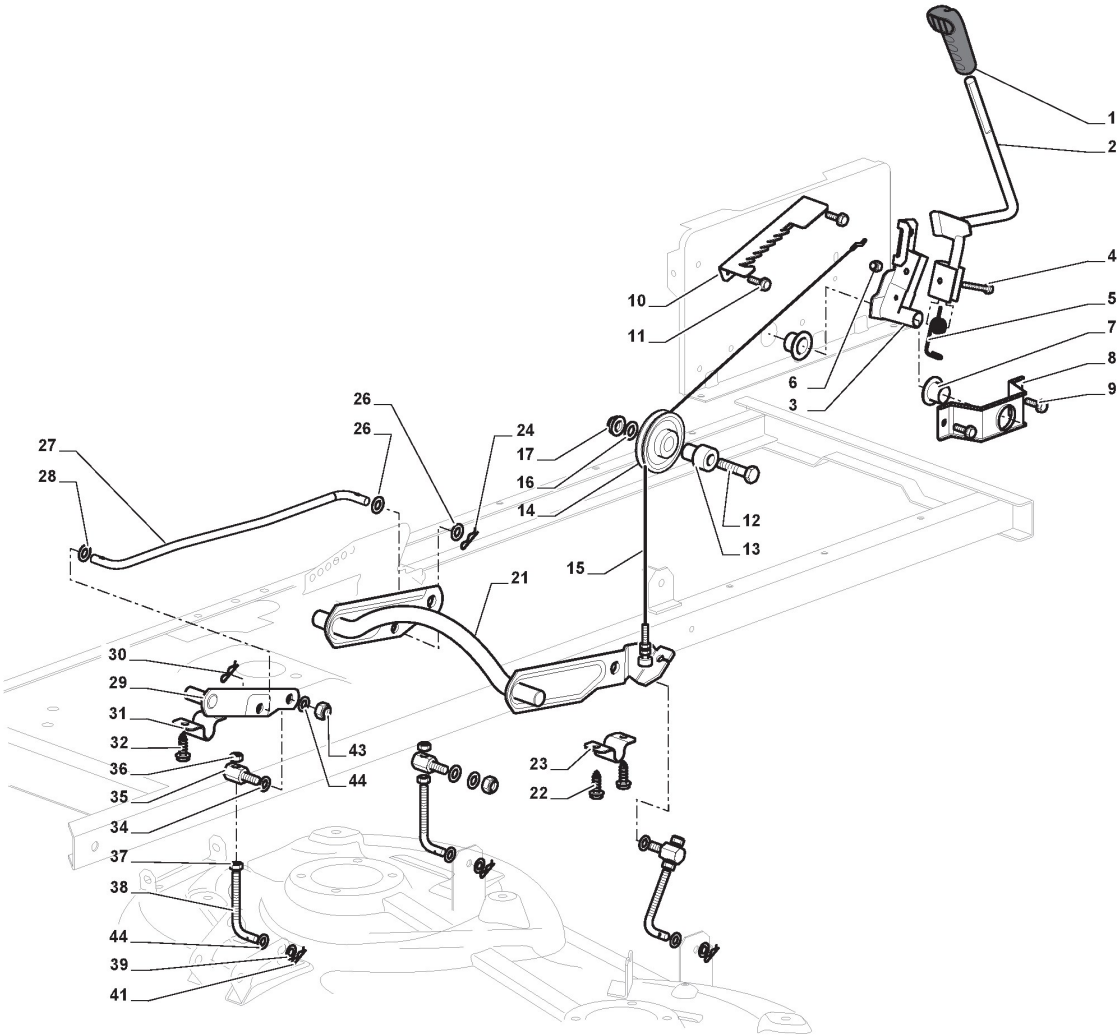
## Brake And Gearbox Controls

Ref.nr.	Antal	Komponentkode	Beskrivelse	Noter	From	Op til
1	1	325110391/0	Clamp Cover			
2	1	382500047/2	Pedal			
3	4	112735599/0	Screw			
4	2	325547231/0	Plate			To S/N 20JA3RON
4	2	325547231/1	Plate		From S/N 20JA3RON 000567	
5	1	382000568/0	Rod			
6	4	112521350/0	Washer			
7	1	112436050/0	Plate			
8	1	325670011/0	Antifriction Washer			
9	4	112155000/0	Nut			
10	1	125510166/0	Pin			
11	1	125160021/0	Spacer			
12	1	125601567/0	Pulley			
13	2	112524010/0	Washer			
14	2	125580030/0	Belt Guide Peg			
15	2	112360425/0	Nut			
20	1	135062018/0	Belt			
21	1	325601599/0	Pulley	Bearing hole ø15		
22	3	112691400/0	Screw			
23	1	125160107/0	Spacer			
24	3	112523060/0	Washer			
25	3	112155000/0	Nut			
26	1	112155000/0	Nut			
27	1	112523060/0	Washer			
28	1	125601554/0	Pulley			
29	1	382318283/0	Lever			
30	1	112691600/0	Screw			
31	2	125038021/0	Bushing			
32	1	125160027/0	Spacer			
33	1	112155000/0	Nut			
34	1	125430262/0	Spring			
35	1	382820016/1	Tie Rod			
36	1	112293201/0	Nut			
37	1	124487997/0	Cotter Pin			
38	1	112604899/0	Crown Fastener			
41	1	125394509/1	Knob			
42	1	125033113/0	Rod			
43	1	325253011/1	Hook			
44	1	122524970/3	Pin			
45	1	112155000/0	Nut			
46	1	125430213/0	Spring			
47	1	112523060/0	Washer			
51	2	125160111/0	Spacer			
52	2	125601608/0	Pulley			



## Transmission

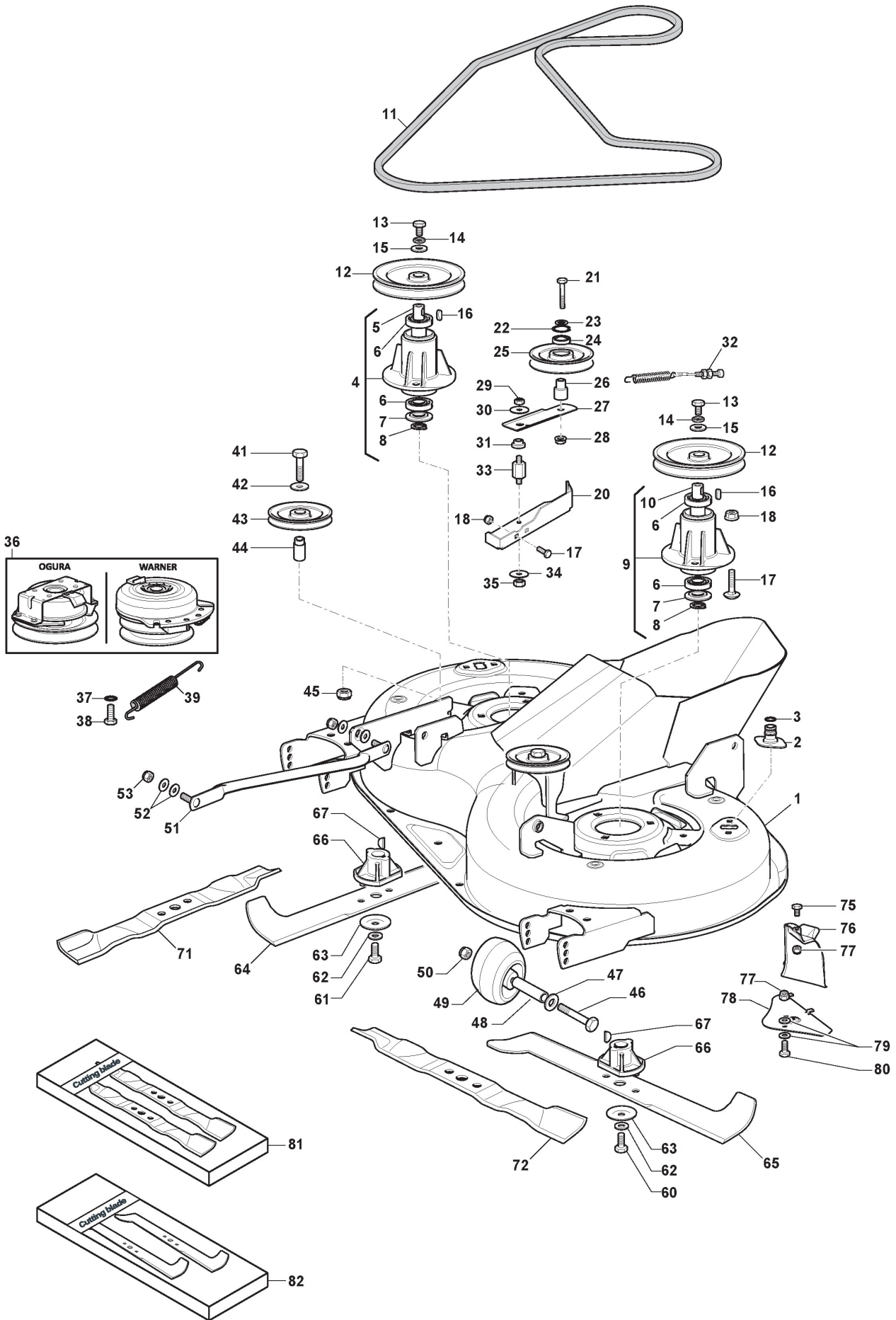
Ref.nr.	Antal	Komponentkode	Beskrivelse	Noter	From	Op til
1	1	325394532/0	Knob			
2	1	382318257/0	Lever			
3	1	382774259/1	Clamp			
4	1	112692050/0	Screw			
5	1	125430226/0	Spring			
6	1	112155000/0	Nut			
7	1	125510035/0	Pin			
8	1	322672151/0	Antifriction Washer			
9	1	112155010/0	Nut			
10	1	112523060/0	Washer			
11	1	112155010/0	Nut			
12	1	382000567/0	Rod			
13	1	112154210/0	Nut			
14	1	112521340/0	Washer			
15	1	325318235/0	Lever			
16	1	112141418/0	Cotter Pin			
17	1	112735520/0	Screw			
18	1	112540040/0	Washer			
19	1	322680009/0	Washer			
21	4	112691600/0	Screw			
22	4	112521350/0	Washer			
23	1	118400910/3	Transmission			To
23	1	118400910/4	Transmission MST 205-535H S/T		From 11-March-2 022	
24	4	112155000/0	Nut			
25	1	182601509/0	Pulley			
26	1	112139430/0	Key			
27	1	112608950/0	Seeger			
28	1	125270329/0	Belt Guide			
29	2	112735599/0	Screw			
30	1	125270330/0	Belt Guide			
31	4	125943009/0	Screw			
32	2	325785315/0	Support			
35	1	325785483/0	Support			To
35	1	325785483/1	Support		From	31-August- 2021
36	2	112815200/0	Screw			
37	2	112154510/0	Nut			
39	2	112792611/0	Screw			
40	2	112155000/0	Nut			
41	2	125670005/2	Washer			
43	6	125670005/2	Washer			
44	2	112001010/0	Benzing Ring			
45	2	322110240/0	Hub Cap	Stiga Style		
46	2	382680083/0	Wheel Assy			
47	2	125950000/0	Valve			
49	2	112540221/0	Washer			
50	2	133800001/0	Faston Terminal			



## Cutting Plate Lifting

Ref.nr.	Antal	Komponentkode	Beskrivelse	Noter	From	Op til
1	1	325394533/0	Knob			
2	1	382318255/0	Lever			
3	1	382318231/0	Axle			To S/N 20JA3RON 003034
3	1	382318231/1	Lifting Axle Assy		From S/N 20JA3RON	
4	1	112674700/0	Screw			
5	1	125430261/0	Spring			
6	1	112154510/0	Nut			
7	2	325038006/0	Bushing			
8	1	325785297/0	Support			
9	2	125943009/0	Screw			
10	1	325735515/0	Steering Sector			
11	2	125943009/0	Screw			
12	1	112793701/0	Screw			
13	1	125040636/1	Bushing			
14	1	125601579/0	Pulley			
15	1	382004620/0	Wire			
16	1	112523060/0	Washer			
17	1	112293201/0	Nut			
21	1	382318297/0	Axle			To S/N 19FA3RON 000412
21	1	382318297/1	Axle		From S/N 19FA3RON	
22	4	112735599/0	Screw			
23	2	325547231/0	Plate			To S/N 20JA3RON
23	2	325547231/1	Plate		From S/N 20JA3RON 000567	
24	1	124487997/0	Cotter Pin			
26	2	325670010/0	Antifriction Washer			
27	1	125033109/0	Connecting Rod			
28	1	325670010/0	Antifriction Washer			
29	1	382318293/0	Axle			To S/N 19FA3RON
29	1	382318293/1	Axle		From S/N 19FA3RON 000061	
30	1	124487997/0	Cotter Pin			
31	1	325547231/0	Plate			To S/N 20JA3RON 000566
31	1	325547231/1	Plate		From S/N 20JA3RON	
32	2	112735599/0	Screw			
34	3	325670008/1	Washer			
35	3	125510107/1	Pin			To S/N 19KA3RON 005043
35	3	125510170/0	Pin		From S/N 19FA3RON	
36	3	112156602/0	Nut			
37	3	112295200/0	Nut			
38	1	125840012/0	Tie Rod			To S/N 20BA3RON 001428
38	1	125840012/1	Tie Rod		From S/N 20BA3RON	
39	3	325670008/1	Washer			
41	3	124487998/0	Cotter Pin			
43	3	112156602/0	Nut			
44	6	112521360/0	Washer			

# Cutting Plate with Electromagnetic Clutch

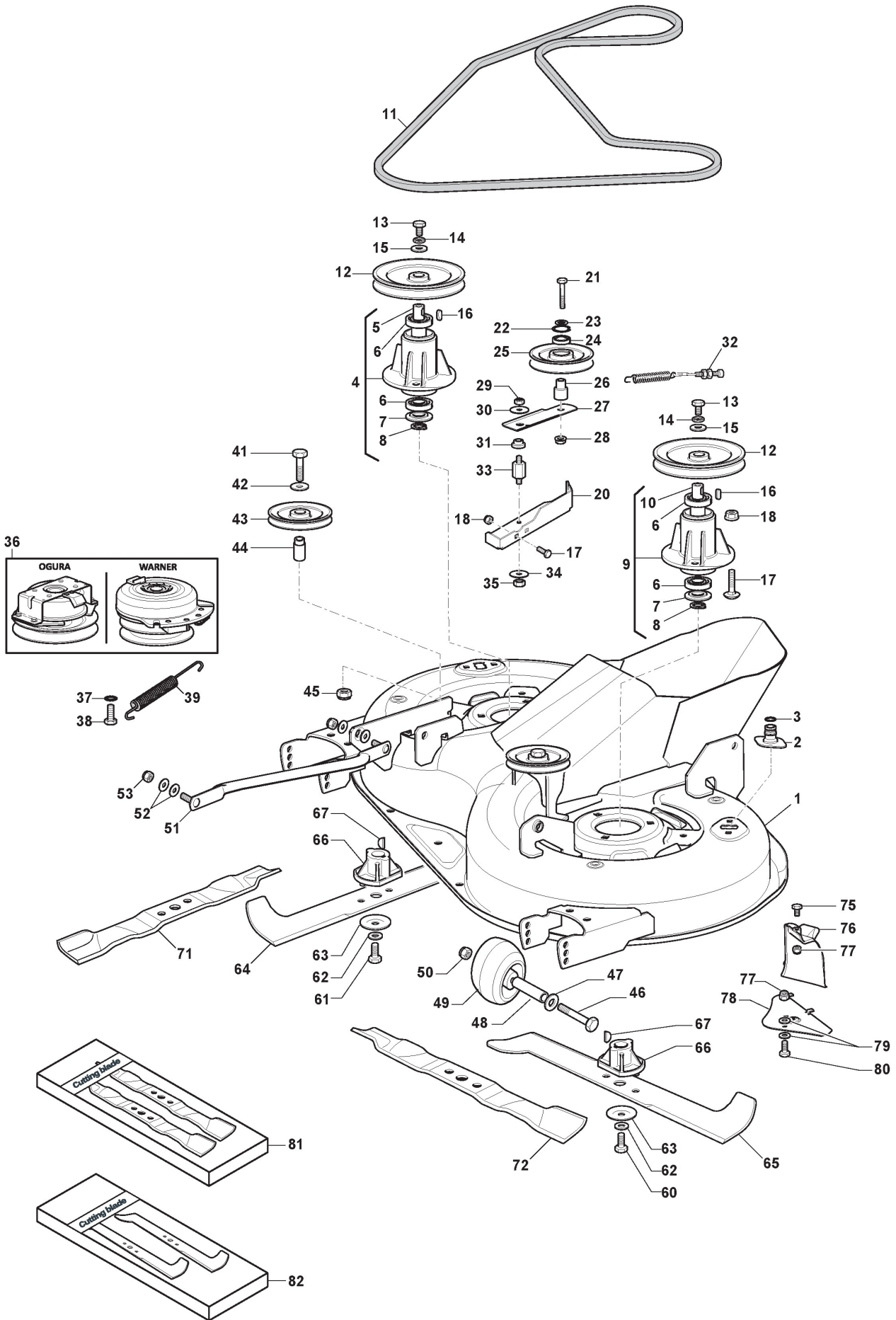




# Cutting Plate with Electromagnetic Clutch

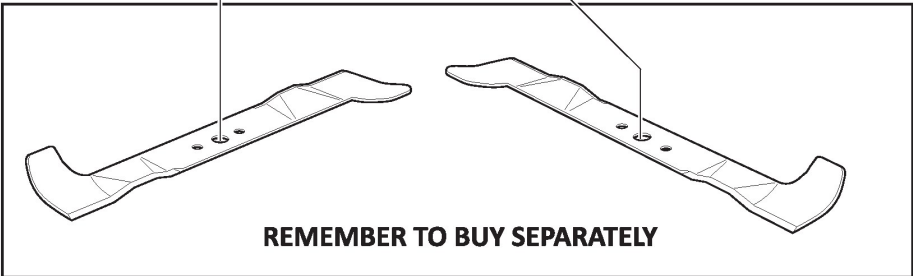
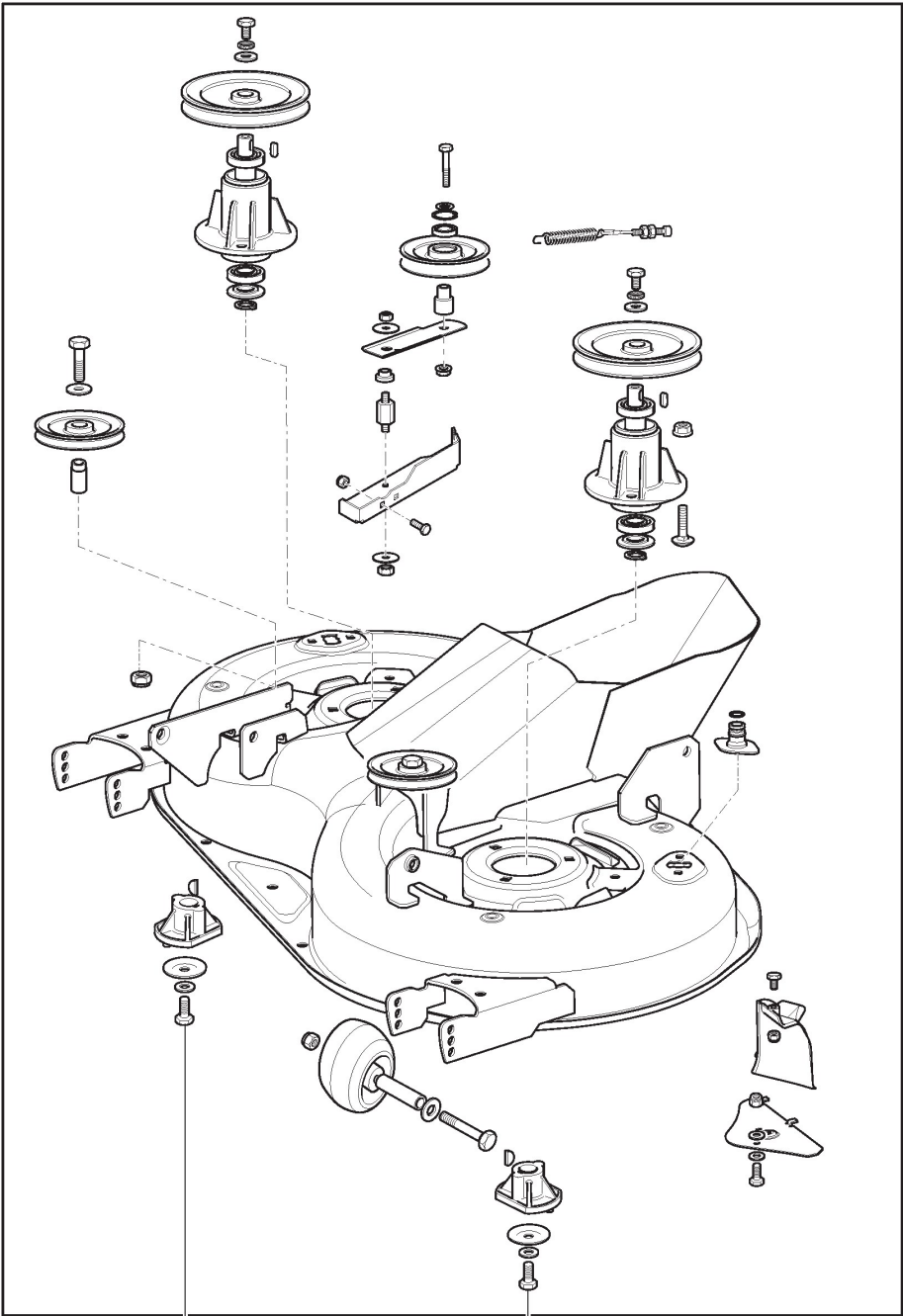
Ref.nr.	Antal	Komponentkode	Beskrivelse	Noter	From	Op til
1	1	382564113/0	Cutting Plate Black			To
1	1	382564113/1	Cutting Plate Black		From	14-March-2022
2	2	325033086/0	Water Hose Connection			
3	2	119035000/0	Or Ring			
4	1	382207205/0	Flange Assy			To
4	1	382207205/1	Flange Assy		From	31-August-2015
5	1	125020805/0	Shaft			
6	4	119216040/0	Bearing			To
6	4	119216047/0	Bearing		From	
7	2	325160501/0	Dust Cover Disc		01-September-2018	To
7	2	325160501/1	Dust Cover Disc		From	
8	2	112609260/0	Seeger		01-January-2019	
9	1	382207204/1	Flange Assy		From	
9	1	382207206/0	Flange Assy		01-September-2016	To
9	1	382207206/1	Flange Assy		From	To
10	1	125020804/0	Shaft		01-September-2015	31-August-2016
11	1	135061508/0	Belt			
12	2	125601585/1	Pulley			
13	2	112793102/0	Screw			
14	2	112540260/0	Washer			
15	2	125670007/0	Washer			
16	2	112139480/0	Feather			
17	6	112818690/0	Screw			
18	6	112154210/0	Nut			
20	1	325785391/0	Bracket			
21	1	112691400/0	Screw			
22	1	112524010/0	Washer			
23	1	112610800/0	Seeger			
24	1	119216041/0	Bearing			To
24	1	119216048/0	Bearing		From	31-August-2018
25	1	125601595/0	Pulley			
26	1	125160052/0	Spacer			
27	1	325318289/0	Lever			
28	1	112293201/0	Nut			
29	1	112155020/0	Nut			
30	1	125670022/0	Washer			
31	1	125040635/0	Bushing			
32	1	382004618/0	Wire			
33	1	125160049/0	Spacer			
34	1	112523080/0	Washer			
35	1	112156602/0	Nut			
36	1	118399069/0	Electromagnetic Clutch	Warner (alternative as spare)		
36	1	118399075/1	Electromagnetic Clutch	Ogura (original on the machine)		
37	1	112543000/0	Washer			
38	1	112737320/0	Screw			
39	1	125430277/0	Spring			To
39	1	125430277/1	Spring		From	
41	2	112691115/0	Screw		01-September-2021	

# Cutting Plate with Electromagnetic Clutch



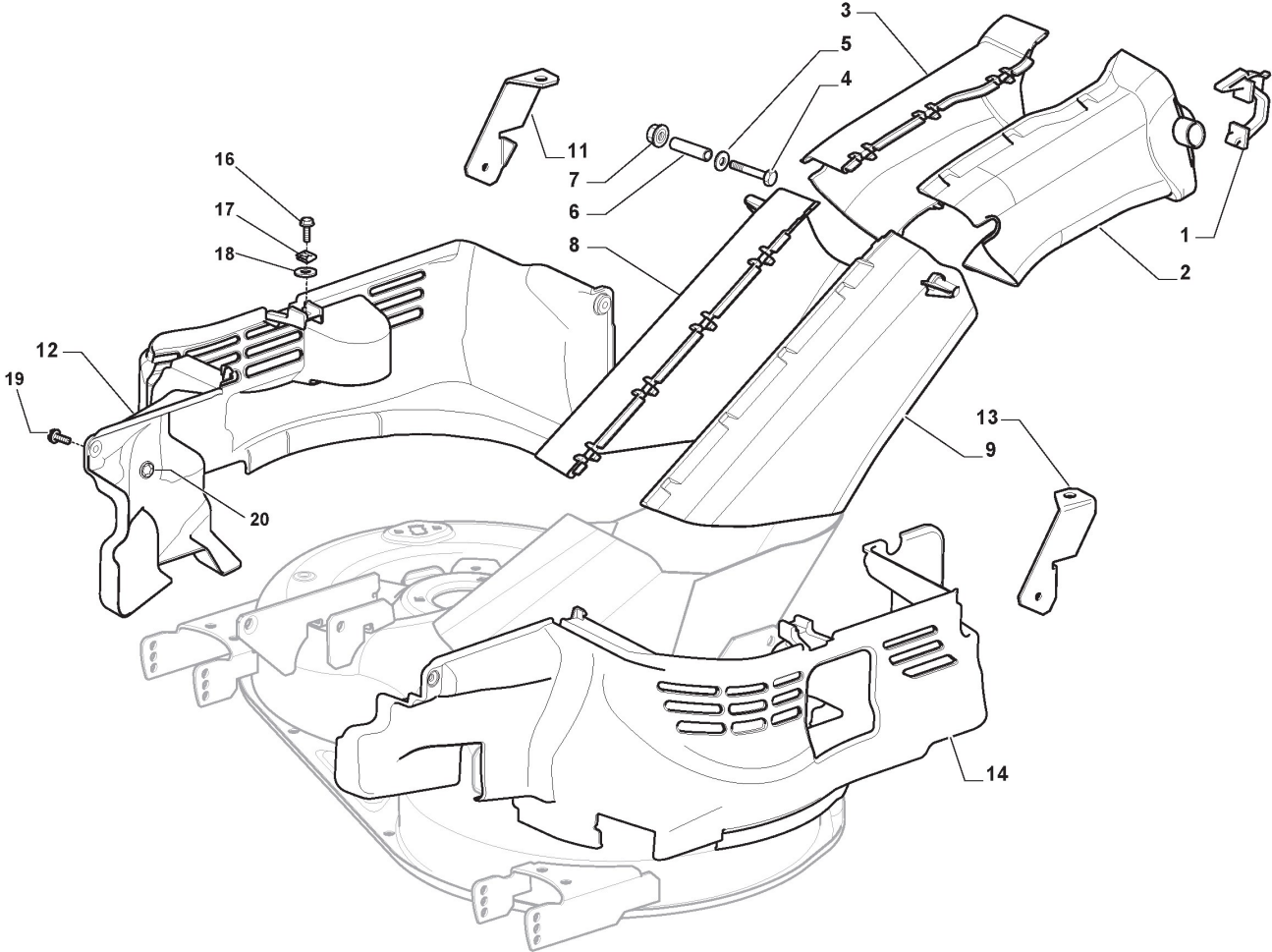
# Cutting Plate with Electromagnetic Clutch

Ref.nr.	Antal	Komponentkode	Beskrivelse	Noter	From	Op til
42	2	112523060/0	Washer			
43	2	125601555/0	Pulley	Bearing hole ø16		To
43	2	125601613/0	Pulley	Bearing hole ø15 (Plastic)	From S/N 21KA3RON	
43	2	325601599/0	Pulley	Bearing hole ø15 (Steel)	560971 000771	To S/N 00088193
44	2	125160069/0	Spacer			To S/N 00088193
44	2	125160082/0	Spacer		S/N 0000101	To S/N 10110001
44	2	125160110/0	Spacer		From S/N 19FA3RON	
45	2	112155000/0	Nut		000413	
46	2	112692100/0	Screw			
47	2	112521350/0	Washer			
48	2	125160072/0	Spacer			
49	2	182700005/0	Anti Scalp Wheel Ø 90			
50	2	112293201/0	Nut			
51	2	382000565/0	Equalizer Rod			To
51	2	382000565/1	Equalizer Rod		From 01-September-2016	
52	8	325670008/1	Washer			
53	4	112156602/0	Nut			
60	1	112735694/0	Screw			
61	1	112735695/1	Screw			
62	2	112523080/0	Washer			
63	2	122160400/0	Elastic Disc			
64	1	182004358/0	Right Blade, Winged			
65	1	182004359/0	Left Blade, Winged			
66	2	1134-9159-01	Blade Holder	with STIGA Pack		
66	2	125463200/0	Blade Hub	without Pack		
67	2	112139100/0	Key			
71	1	182004360/0	Right Mulching Blade			
72	1	182004361/0	Left Mulching Blade			
75	3	112791213/1	Screw			
76	1	325140108/0	Deflector			
77	4	112154510/0	Nut			
78	1	325785418/0	Support			
79	4	112523040/0	Washer			
80	1	112790781/0	Screw			
81	1	1134-9221-01	Mulching Blades	Stiga Packed into 182004360/0 + 182004361/0		
82	1	1134-9220-01	Winged Blades	Stiga Packed into 182004358/0 + 182004359/0		



# Cutting Deck Assy - MP84

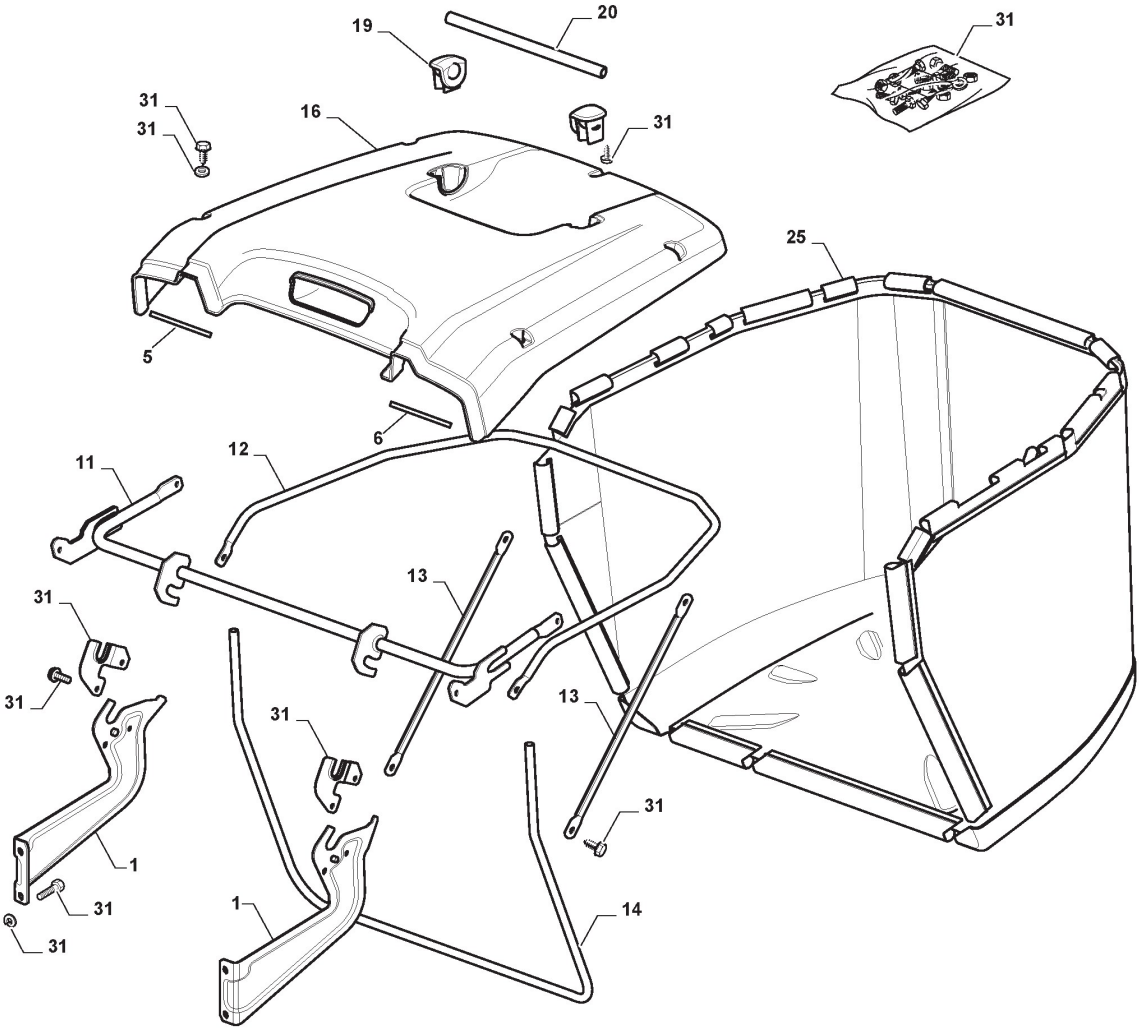
Ref.nr.	Antal	Komponentkode	Beskrivelse	Noter	From	Op til
1	1	382565108/0	Cutting Plate Assy, Black	Black		



## Belt Protections

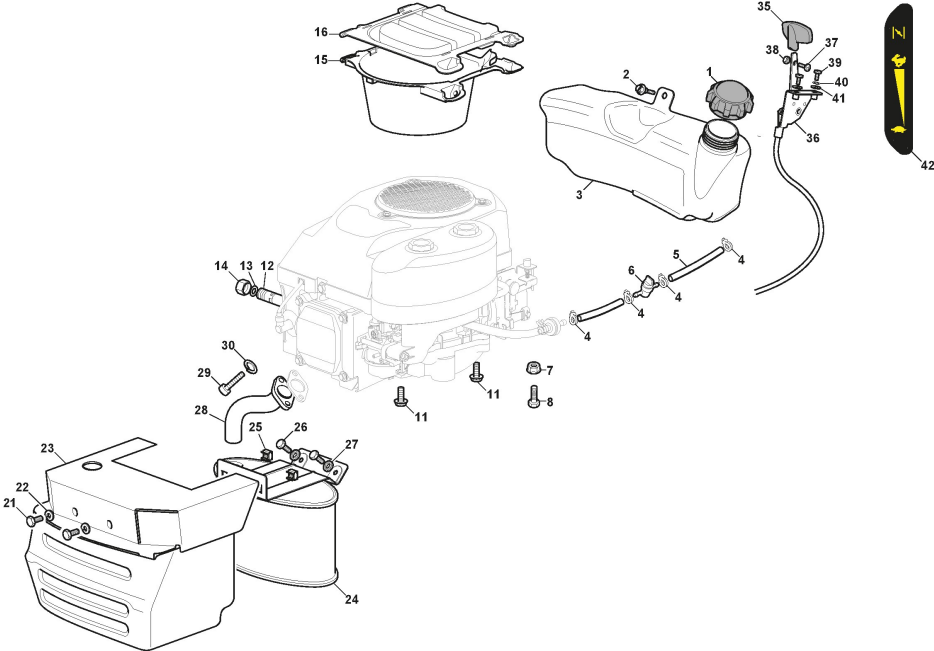
Ref.nr.	Antal	Komponentkode	Beskrivelse	Noter	From	Op til
1	2	325774499/0	Clamp			
2	1	325108057/0	Conveyor			
3	1	325108056/0	Conveyor			
4	2	112792425/0	Screw			
5	2	112521340/0	Washer			
6	2	125160071/0	Spacer			To S/N 19FA3RON
6	2	125160109/0	Spacer		From S/N 19FA3RON 000413	
7	2	112154510/0	Nut			
8	1	325108064/0	Conveyor			
9	1	325108065/0	Conveyor			
11	1	325774527/0	Clamp			
12	1	325060168/0	Case			
13	1	325774529/0	Clamp			
14	1	325060169/0	Case			
16	2	112789008/0	Screw			
17	2	112437503/0	Plate			
18	2	112523020/0	Washer			
19	4	125943011/0	Screw			
20	4	112604899/0	Crown Fastener			





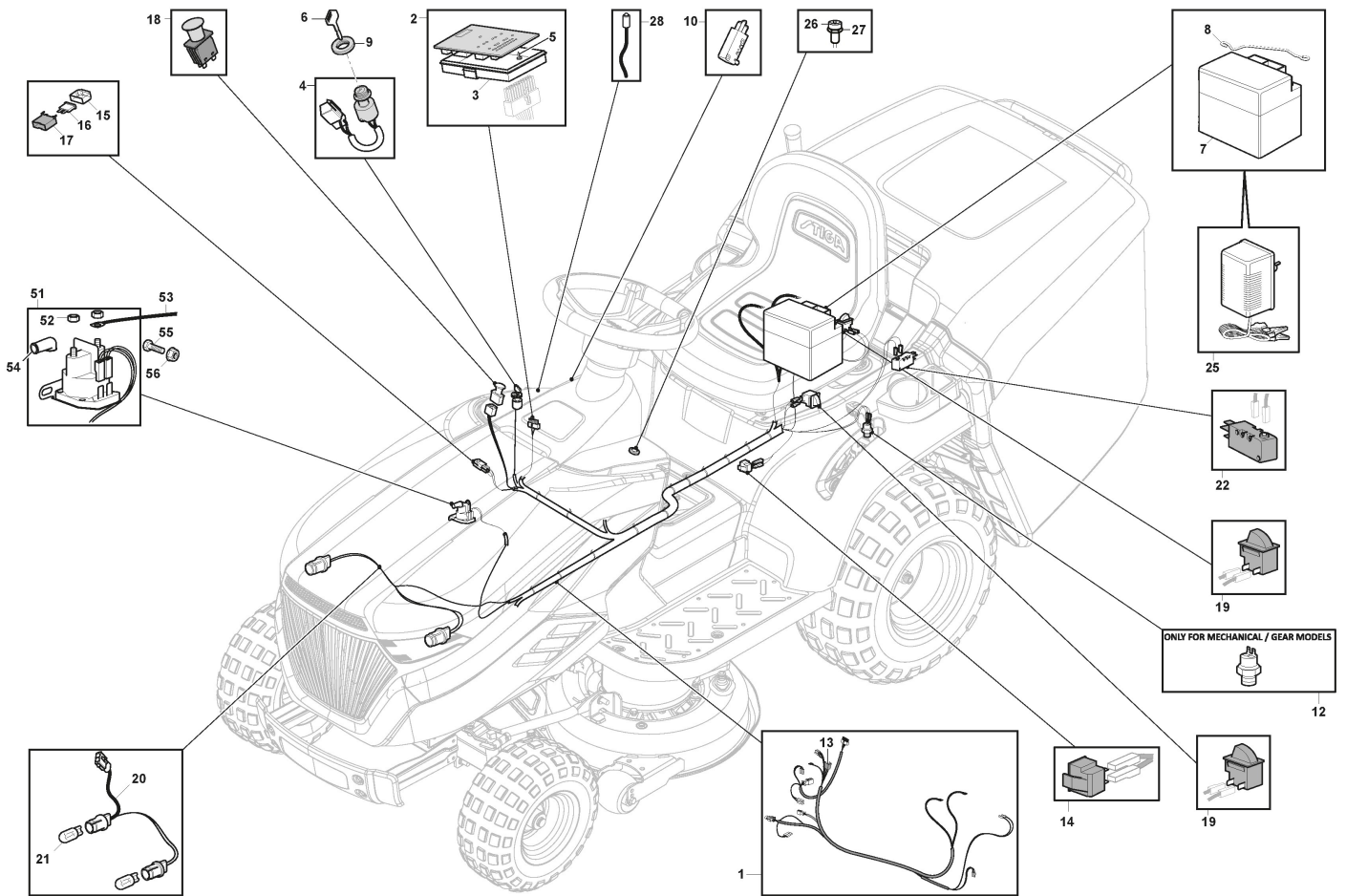
# Grasscatcher

Ref.nr.	Antal	Komponentkode	Beskrivelse	Noter	From	Op til
1	1	382785289/1	Support Ass.Y			
5	1	125270802/0	Seal			
6	1	125270803/0	Seal			
11	1	382800147/0	Upper Frame			
12	1	382800145/0	Upper Frame			
13	2	325650161/0	Stiffening			
14	1	382800143/0	Front Frame			
16	1	325110437/0	Black Grass-Catcher Cover			
19	2	325785417/0	Support			
20	1	325394538/0	Handle			
25	1	182105942/0	Grasscatcher	Black without Logo		
31	1	382180122/1	Outfit, Screws			



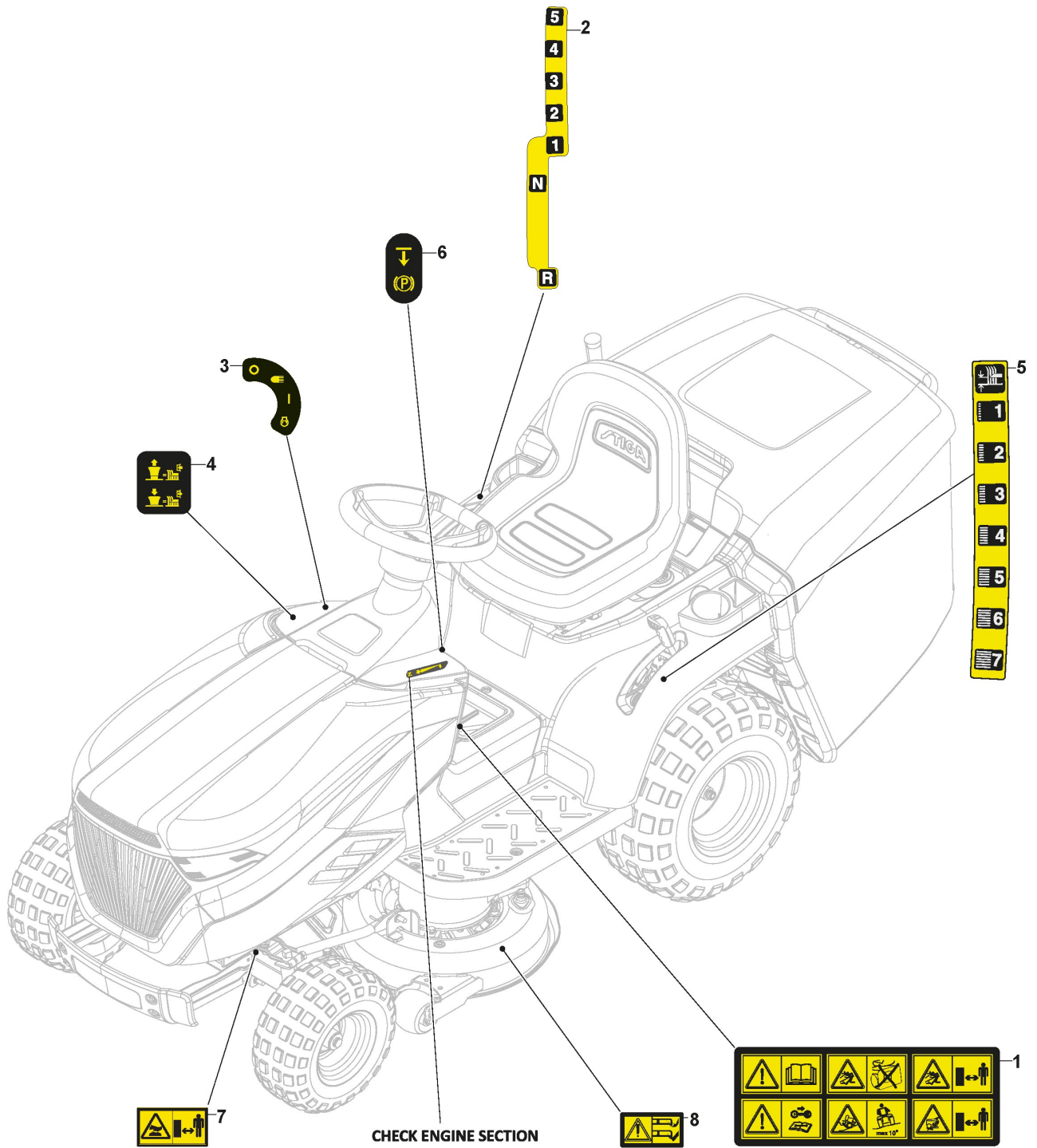
Engine - ST.

Ref.nr.	Antal	Komponentkode	Beskrivelse	Noter	From	Op til
1	1	125795001/1	Cap			
2	4	125943010/0	Screw			
3	1	325735126/0	Fuel Tank			To 31-August- 2017
3	1	325735126/1	Tank		From	
4	4	118375051/1	Fair Led			
5	1	325869057/0	Connecting Tube			
6	1	118562996/0	Shut out valve			
7	1	112154210/0	Nut			
8	1	112691115/0	Screw			
11	3	112735108/1	Screw			
12	1	127598060/0	Oil Discharge Extension			
13	1	118401001/1	Oil Seal			
14	1	118737849/0	Plug			
15	1	325108044/1	Conveyor	if foreseen in assortment		
16	1	325263302/1	Air Intake Grill	if foreseen in assortment		To 30-June-20 21
16	1	325263318/0	Air Intake Grill	if foreseen in assortment	From	
21	2	112792611/0	Screw			
22	2	112540260/0	Washer			
23	1	382598047/0	Muffler Protection			To 25-May-201 20
23	1	382598047/1	Muffler Protection		From	
23	1	382598047/2	Muffler Protection		From	
24	1	182750010/0	Muffler		13-Septem ber-2021	
25	2	112360425/0	Nut			
26	2	112792611/0	Screw			
27	2	112540260/0	Washer			
28	1	118738269/0	Exhaust Connecting Tube			
29	2	112737450/0	Screw			
30	2	112540260/0	Washer			
35	1	325394531/0	Knob			
36	1	182000216/0	Accelerator			
37	1	112726388/0	Screw	White Galvanized		
37	1	112726389/0	Screw	Black Galvanized		
38	1	112290800/0	Nut			
39	1	112726388/0	Screw	White Galvanized		
39	2	112726389/0	Screw	Black Galvanized		
40	2	112540020/0	Washer			
41	2	112521310/0	Washer			
42	1	114363697/0	Label			



# Electrical Parts

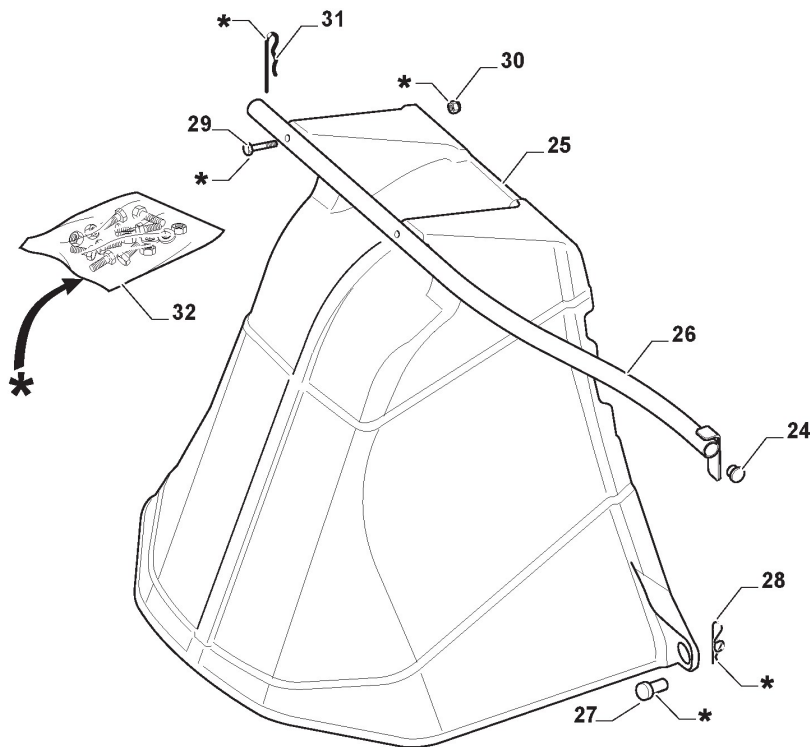
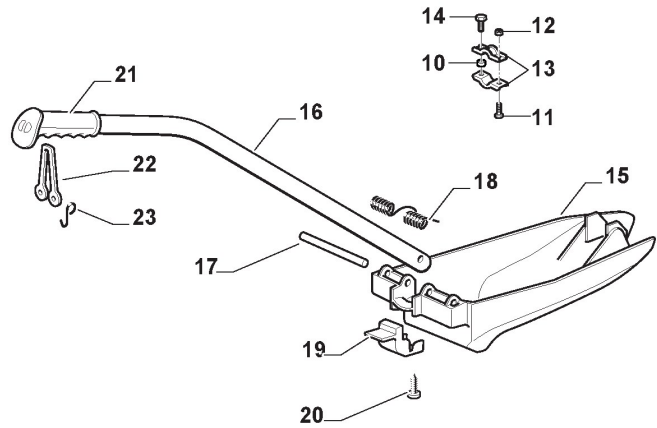
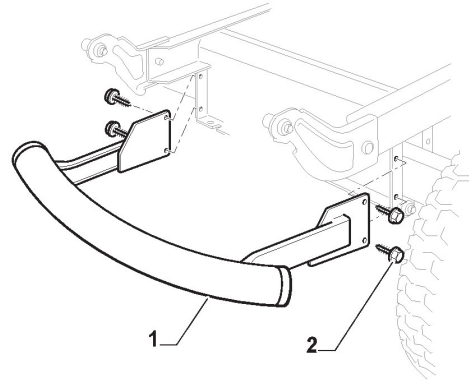
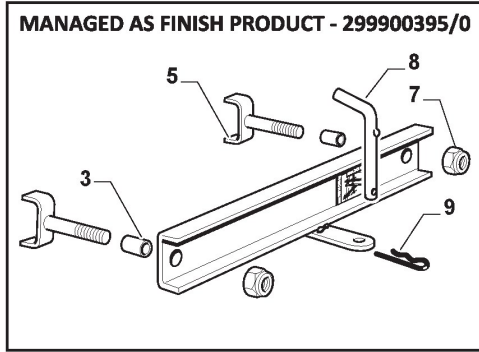
Ref.nr.	Antal	Komponentkode	Beskrivelse	Noter	From	Op til
1	1	182040198/2	Cables Ass.Y			
2	1	382722444/1	Electronic Card	"LS" marked		To S/N 22CA3RON
2	1	382722472/0	Electronic Card	"LS" marked	From S/N 21KA3RON	To S/N 22CA3RON
2	1	382722472/1	Electronic Card	"LS" marked	From S/N 21KA3RON	To S/N 22CA3RON
3	1	325600090/1	Card Protection			013549
4	1	118450075/1	Starting Switch			
5	3	112727810/0	Screw			
6	1	118210023/0	Starting Key			
7	1	118120007/0	Battery			
8	1	125430265/1	Spring			
9	1	118400863/0	Screwed Ring			
10	1	119410609/1LC	Micro Switch			
12	1	119410608/1	Neutral Switch (Mech.)			
13	1	133567000/0	Relay	Only for Honda Engines		
14	1	119410623/0	Microswitch			
15	2	133215000/0	Cover			
16	2	133340036/0	Fuse 25 A	25A		
16	2	133340040/0	Fuse 10 A	10A		
17	2	133500007/0	Fuse Carrier			
18	1	118450073/0	Clutch Switch	Yellow		
18	1	118450074/0	Clutch Switch	Red		
19	2	119410622/1	Microswitch			
20	1	182040186/0	Cable	For Lamp Version		
21	2	118459100/0	Lamp For Lights	Only with Lamp Light		
22	1	119410605/1	Microswitch			
25	1	182180090/0	Battery Charger 12V 1A - CE Plugg	CE Plug		To 31-Decemb
25	1	182180091/0	Battery Charger 12V 1A - UK Plugg	BS Plug		To 31-Decemb
25	1	182180190/0	Battery Charger Kit UK-CE Plug	CE + BS Plug	From 01-January-	er-2021
26	1	325605003/0	Button			
27	2	325256250/0	Screwed Ring			
28	1	182040174/0	Led Wiring Assy	LED cable for alarm on dashboard		
51	1	118736112/0	Solenoid			
52	2	112361005/0	Nut			
53	1	125065002/0	Cable			
54	1	118564864/1	Protection			
55	1	112790781/0	Screw			
56	2	112154510/0	Nut			





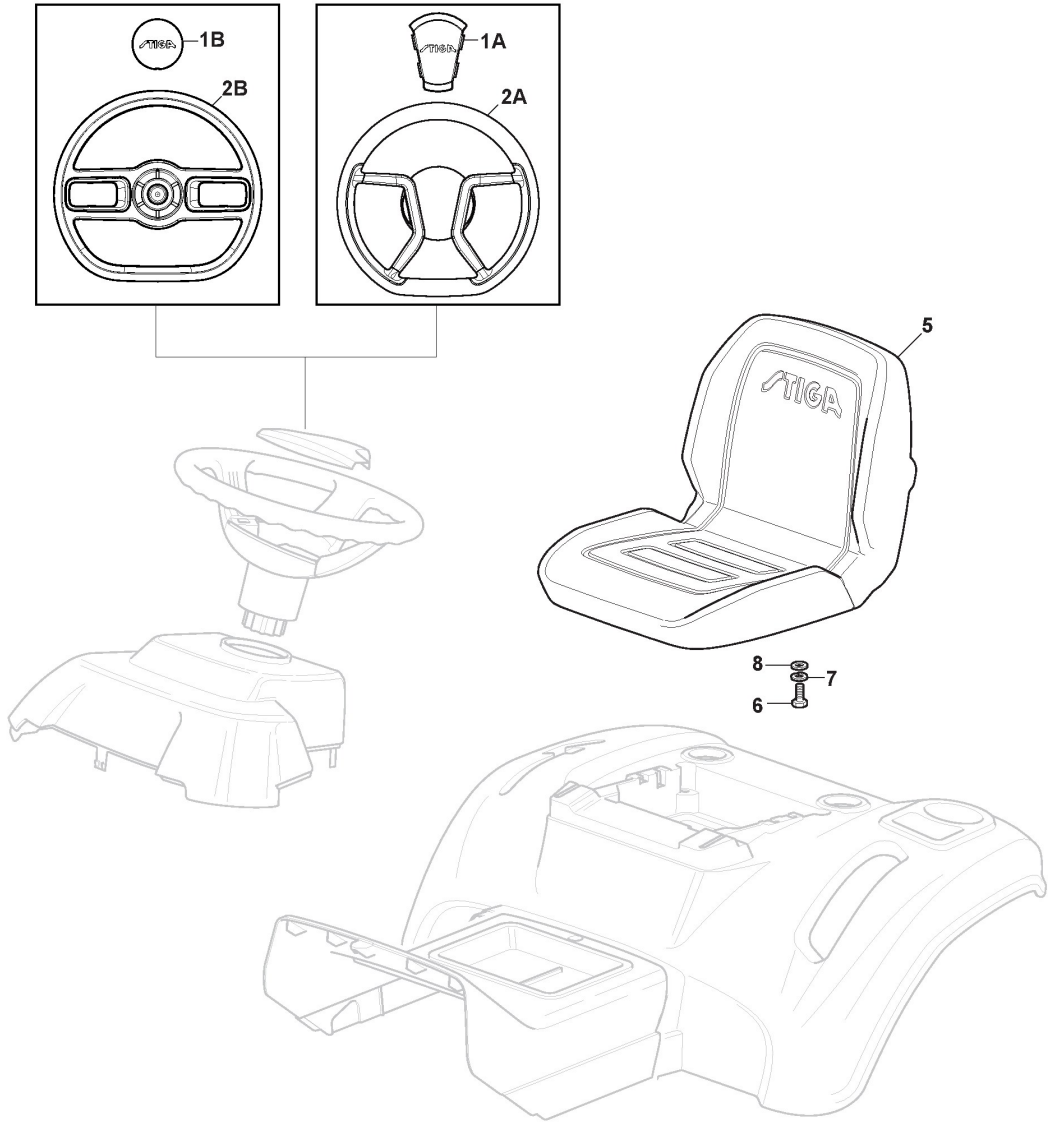
# Labels

Ref.nr.	Antal	Komponentkode	Beskrivelse	Noter	From	Op til
1	1	114361553/1	Label			
2	1	114366141/0	Label			
3	1	114363699/0	Label			
4	1	114361438/0	Label			
5	1	114363701/0	Label			To 31-August- 2014
5	1	114366142/0	Label		From	
6	1	114363700/0	Label			
7	1	114364961/3	Label			
8	1	114356699/1	Label			



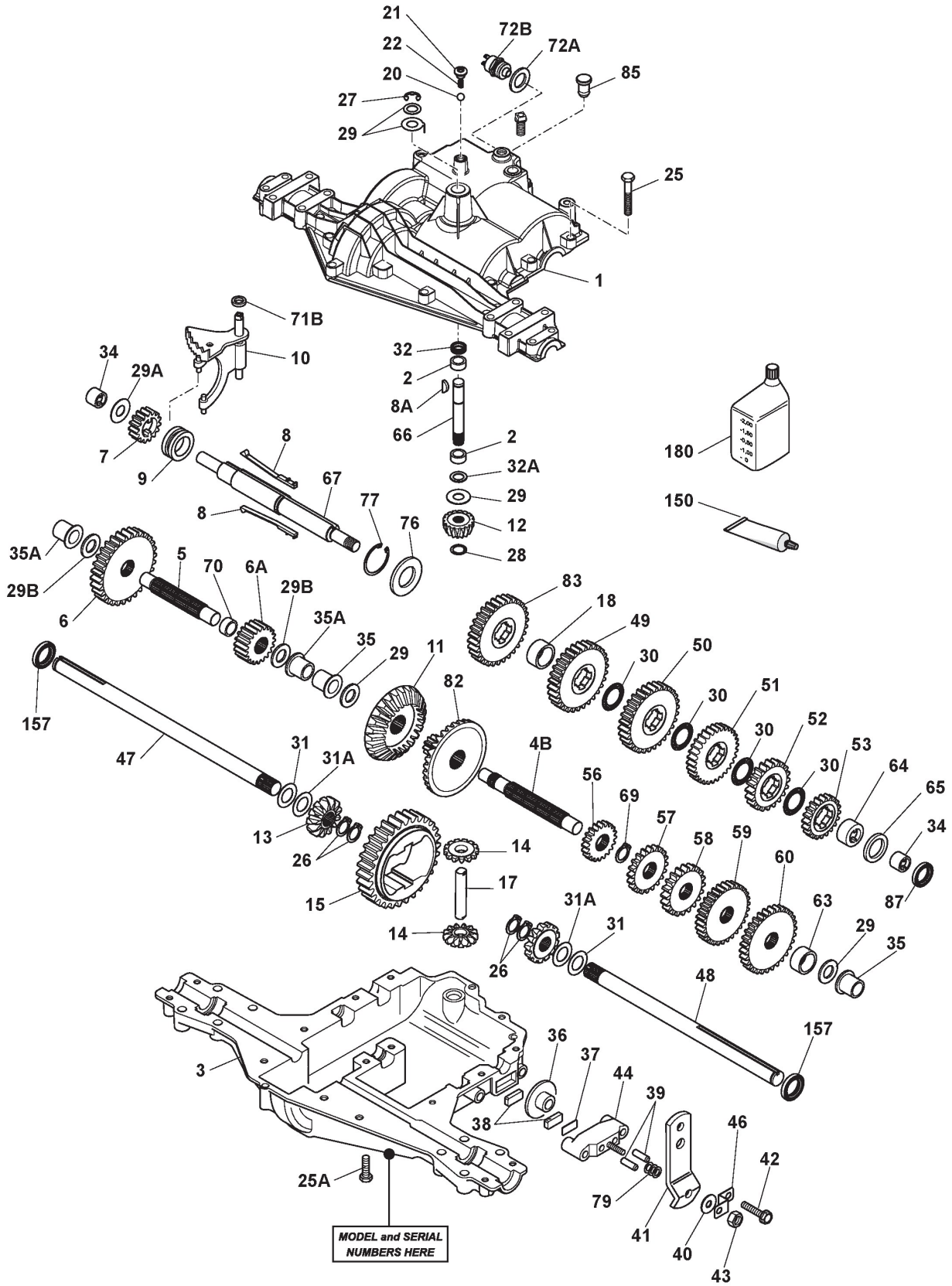
## Optionals On Request

Ref.nr.	Antal	Komponentkode	Beskrivelse	Noter	From	Op til
1	1	382869038/0	Muffler Protection			
2	4	112735599/0	Screw			
3	2	125160074/0	Spacer			To S/N 19JA3RON 001409
3	2	125160108/0	Spacer		From S/N 19JA3RON	
5	2	382650211/0	Stiffening			
7	2	112155000/0	Nut			
8	1	125510021/1	Hitch Pin			
9	1	124487999/0	Spring Pin			
10	1	122170600/0	Spacer			
11	1	112792099/0	Screw			
12	3	112292102/0	Nut			
13	2	327546015/2	Plate			
14	1	112791400/0	Screw			
15	1	325140104/0	Deflector			To 01-Septem-2013
15	1	325140104/1	Deflector		From 01-Septem-2013	
16	1	325394021/0	Handle			
17	1	125510077/0	Pin			
18	1	125430245/0	Spring			
19	1	325547320/0	Plate			
20	1	112735403/0	Screw			
21	1	325280000/1	Handgrip			
22	1	125840011/1	Tie Rod			
23	2	125253004/0	Mulch.Kit Fixing Hook			
24	2	118566112/0	Polyethylene Push Road Ivars D=20inch			
25	1	325600093/0	Ejection Guard			To 31-August-2017
25	1	325600093/1	Ejection Guard		From 01-Septem-2013	
26	1	382869044/0	Support			
27	2	125510022/1	Pin			
28	2	124487998/0	Cotter Pin			
29	2	112689515/0	Screw			
30	2	112154510/0	Nut			
31	1	124487999/0	Spring Pin			
32	1	382180028/0	Outfit, Screws			



## Seat & Steering Wheel

Ref.nr.	Antal	Komponentkode	Beskrivelse	Noter	From	Op til
1A	1	325580510/0	Steering Plate Cover			To
1B	1	325580511/0	Steering Plate Cover		From	28-October-2020
2A	1	325961226/0	Steering wheel			To
2B	1	325961227/0	Steering wheel		From	28-October-2020
5	1	125722477/0	Seat			
6	4	112792611/0	Screw			
7	4	112540260/0	Washer			
8	4	112523060/0	Washer			

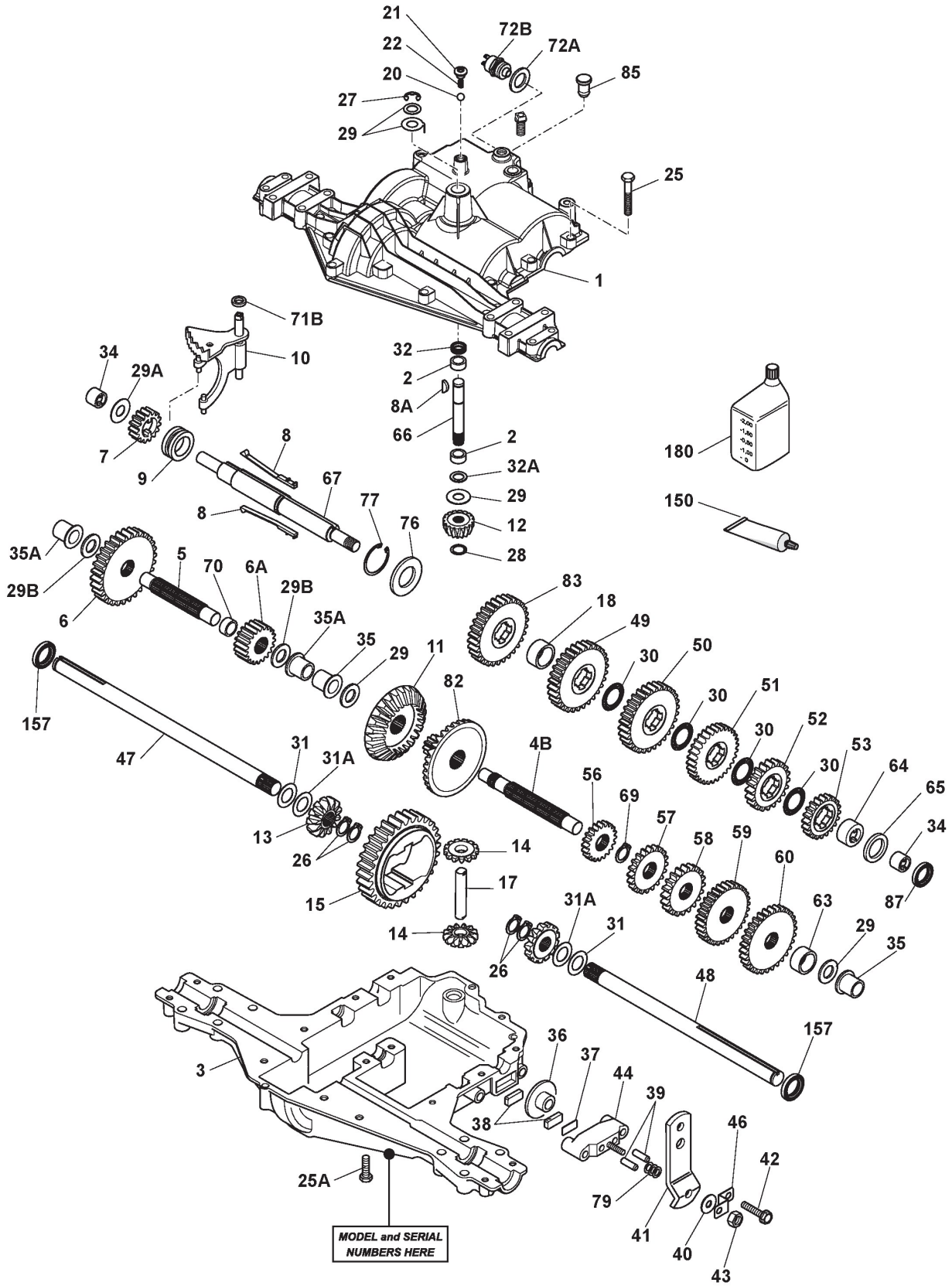


## Transmission

Ref.nr.	Antal	Komponentkode	Beskrivelse	Noter	From	Op til
0	1	118400910/2	Transmission	MST 205-535G		
0	1	118400915/2	Mech. Transaxle Mst 205-541E Peerless	MST 205-541G		
1	1	772148	Cover	(Please contact Peerless service Network using item: 772148)		
2	2	780086	Needle bearing	(Please contact Peerless service Network using item: 780086)		
3	1	770128	Case	(Please contact Peerless service Network using item: 770128)		
4B	1	776406	Shaft	(Please contact Peerless service Network using item: 776406)		
5	1	776409	Shaft	(Please contact Peerless service Network using item: 776409)		
6	1	778364	Gear	38T (Please contact Peerless service Network using item: 778364)		
6A	1	778369	Gear	15T (Please contact Peerless service Network using item: 778369)		
7	1	778330	Gear	11T (Please contact Peerless service Network using item: 778330)		
8A	1	792047	Woodruff Key	(Please contact Peerless service Network using item: 792047)		
8	2	792180	Key	(Please contact Peerless service Network using item: 792180)		
9	1	784352	Collar	(Please contact Peerless service Network using item: 784352)		
10	1	784378	Shift rod and fork	(Please contact Peerless service Network using item: 784378)		
11	1	778334	Bevel gear	30T (Please contact Peerless service Network using item: 778334)		
12	1	778309	Bevel pinion	13T (Please contact Peerless service Network using item: 778309)		
13	2	778368	Bevel gear	13T (Please contact Peerless service Network using item: 778368)		
14	2	778368	Bevel gear	13T (Please contact Peerless service Network using item: 778368)		
15	1	778370	Ring gear	43T (Please contact Peerless service Network using item: 778370)		
17	1	786188	Drive pin	(Please contact Peerless service Network using item: 786188)		
18	1	786102	Spacer	(Please contact Peerless service Network using item: 786102)		
20	1	792077	Steel ball	(Please contact Peerless service Network using item: 792077)		
21	1	792078	Screw	(Please contact Peerless service Network using item: 792078)		
21	1	792211	Screw	(Please contact Peerless service Network using item: 792211)		
22	1	792079	Spring	(Please contact Peerless service Network using item: 792079)		
25	17	792073	Screw	(Please contact Peerless service Network using item: 792073)		
25A	2	792177	Screw	35 mm (Please contact Peerless service Network using item: 792177)		
26	4	792125	Retainer ring	Sats 2 st/Pkg of 2 (Please contact Peerless service Network using item: 792125)		
27	1	792035	Retainer ring	(Please contact Peerless service		



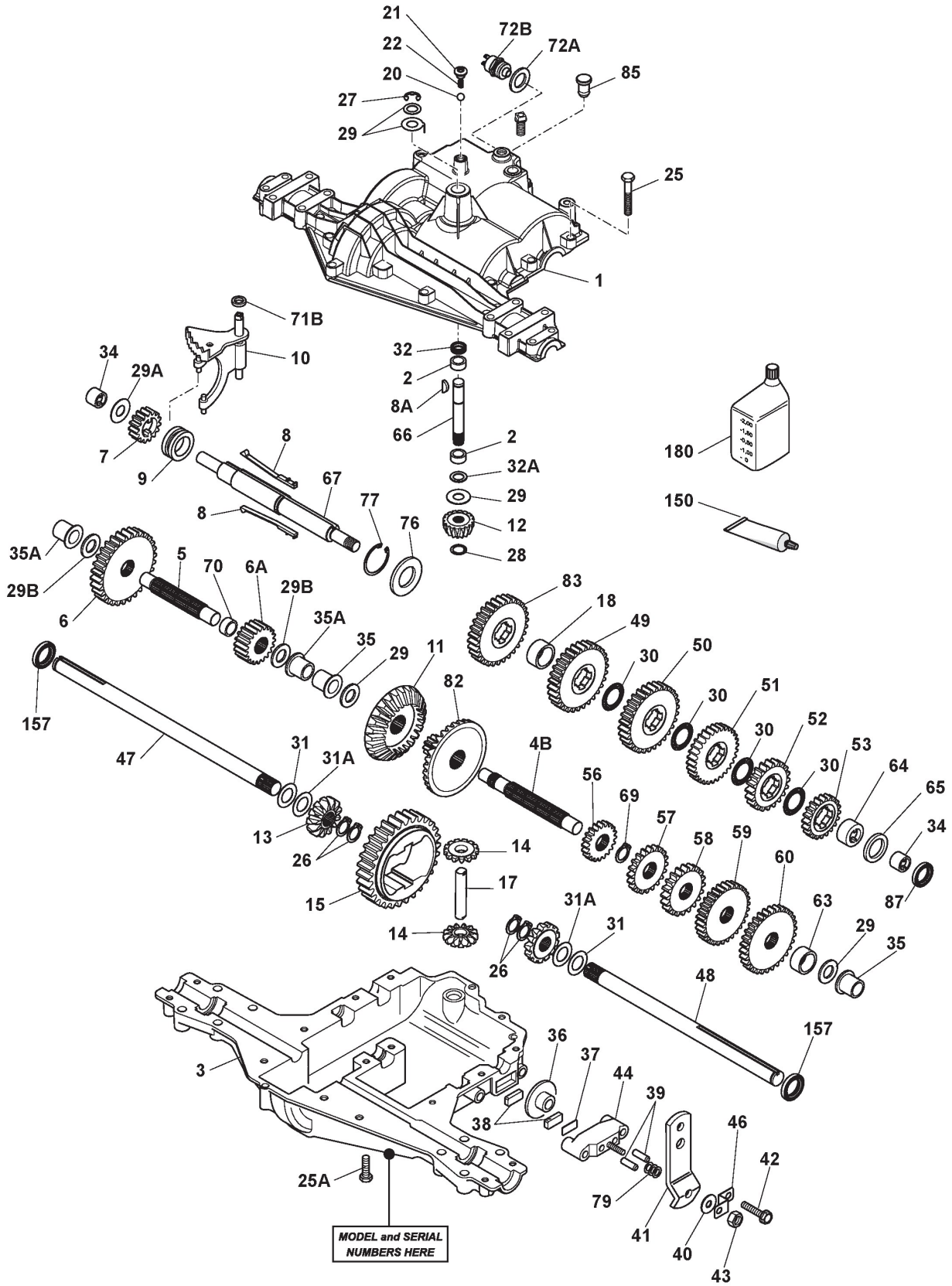




## Transmission

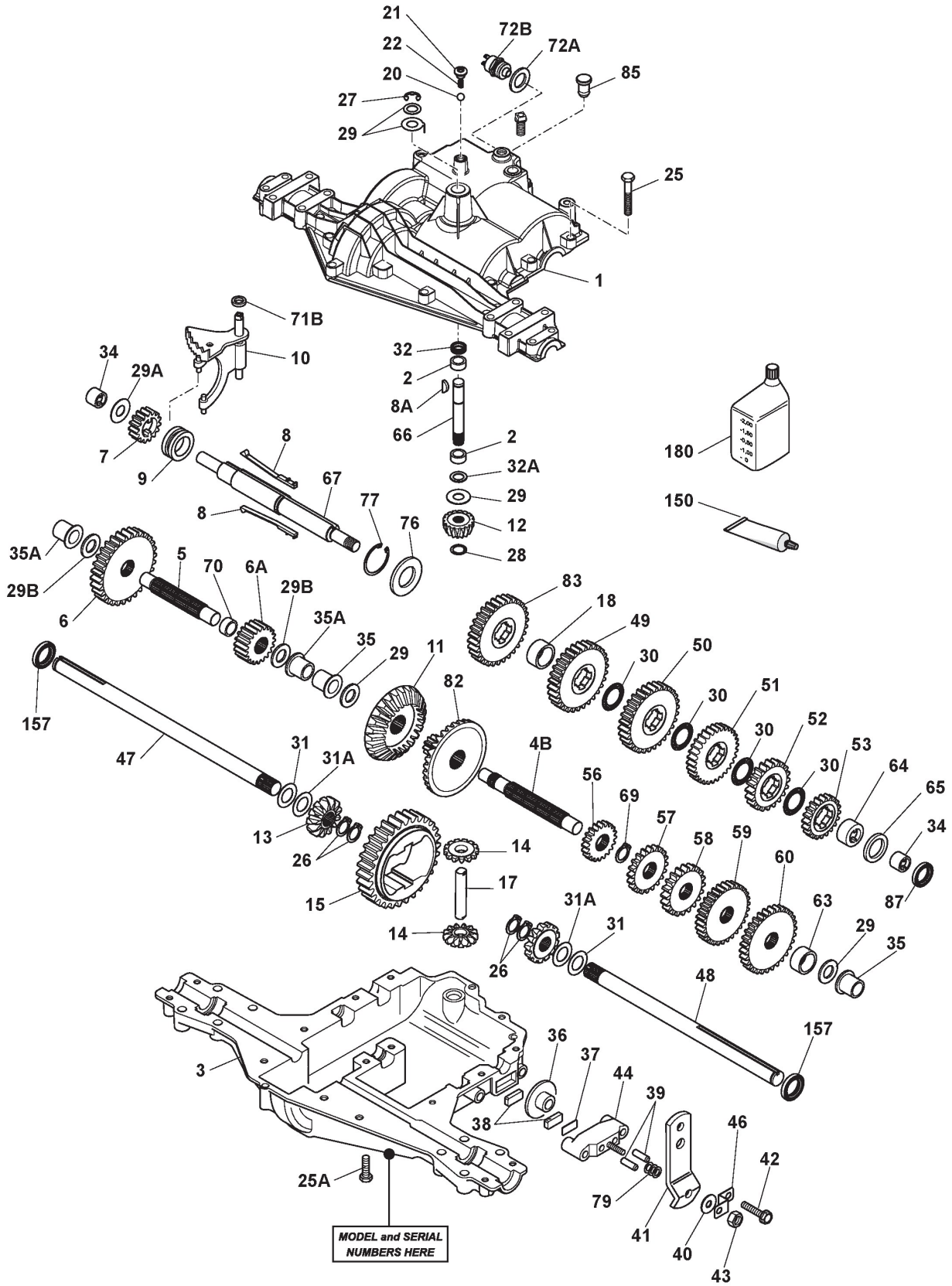
Ref.nr.	Antal	Komponentkode	Beskrivelse	Noter	From	Op til
28	1	788040	Retainer ring	(Please contact Peerless service Network using item: 788040)		
29B	2	780051	Thrust Washer	(Please contact Peerless service Network using item: 780051)		
29	5	780072	Thrust Washer	(Please contact Peerless service Network using item: 780072)		
29A	1	780160	Washer	(Please contact Peerless service Network using item: 780160)		
30	4	780108	Thrust Washer	(Please contact Peerless service Network using item: 780108)		
31	1	780001	Washer	.056" (1.42 mm) (Please contact Peerless service Network using item: 780001)		
31A	2	780195	Washer	.062" (1.57 mm) (Please contact Peerless service Network using item: 780195)		
32	1	788083	O-ring	(Please contact Peerless service Network using item: 788083)		
32A	1	792001	O-ring	(Please contact Peerless service Network using item: 792001)		
34	2	780194	Bushing	(Please contact Peerless service Network using item: 780194)		
35	2	780193	Flange bushing	ID = 5/8" (Please contact Peerless service Network using item: 780193)		
35A	2	780197	Flange bushing	ID = 3/4" (Please contact Peerless service Network using item: 780197)		
36	1	790075	Brake Disc	(Please contact Peerless service Network using item: 790075)		
37	1	790007	Brake pad plate	(Please contact Peerless service Network using item: 790007)		
38	2	799021	Brake pad	Sats 2 st/Pkg of 2 (Please contact Peerless service Network using item: 799021)		
39	2	786026	Dowel pin	(Please contact Peerless service Network using item: 786026)		
40	1	792076	Washer	(Please contact Peerless service Network using item: 792076)		
41	1	790031	Brake Lever	MST 205-541G (Please contact Peerless service Network using item: 790031)		
41	1	790045	Brake Lever	MST 205-535G (Please contact Peerless service Network using item: 790045)		
42	2	792177	Screw	(Please contact Peerless service Network using item: 792177)		
43	1	792075	Nut	(Please contact Peerless service Network using item: 792075)		
44	1	790025	Brake pad holder	(Please contact Peerless service Network using item: 790025)		
46	1	786086	Brake lever bracket	(Please contact Peerless service Network using item: 786086)		
47	1	775028	Axle	11-63/64" (304 mm) - MST 205-535G (Please contact Peerless service Network using item: 775028)		
47	1	775047	Axle	11-1/4" (286 mm) - MST 205-541G (Please contact Peerless service Network using item: 775047)		
48	1	775027	Axle	16-9/16" (421 mm) - MST 205-535G (Please contact Peerless service Network using item: 775027)		
48	1	775048	Axle	15-13/16" (402 mm) - MST 205-541G (Please contact Peerless service		

Network using item: 775048)



## Transmission

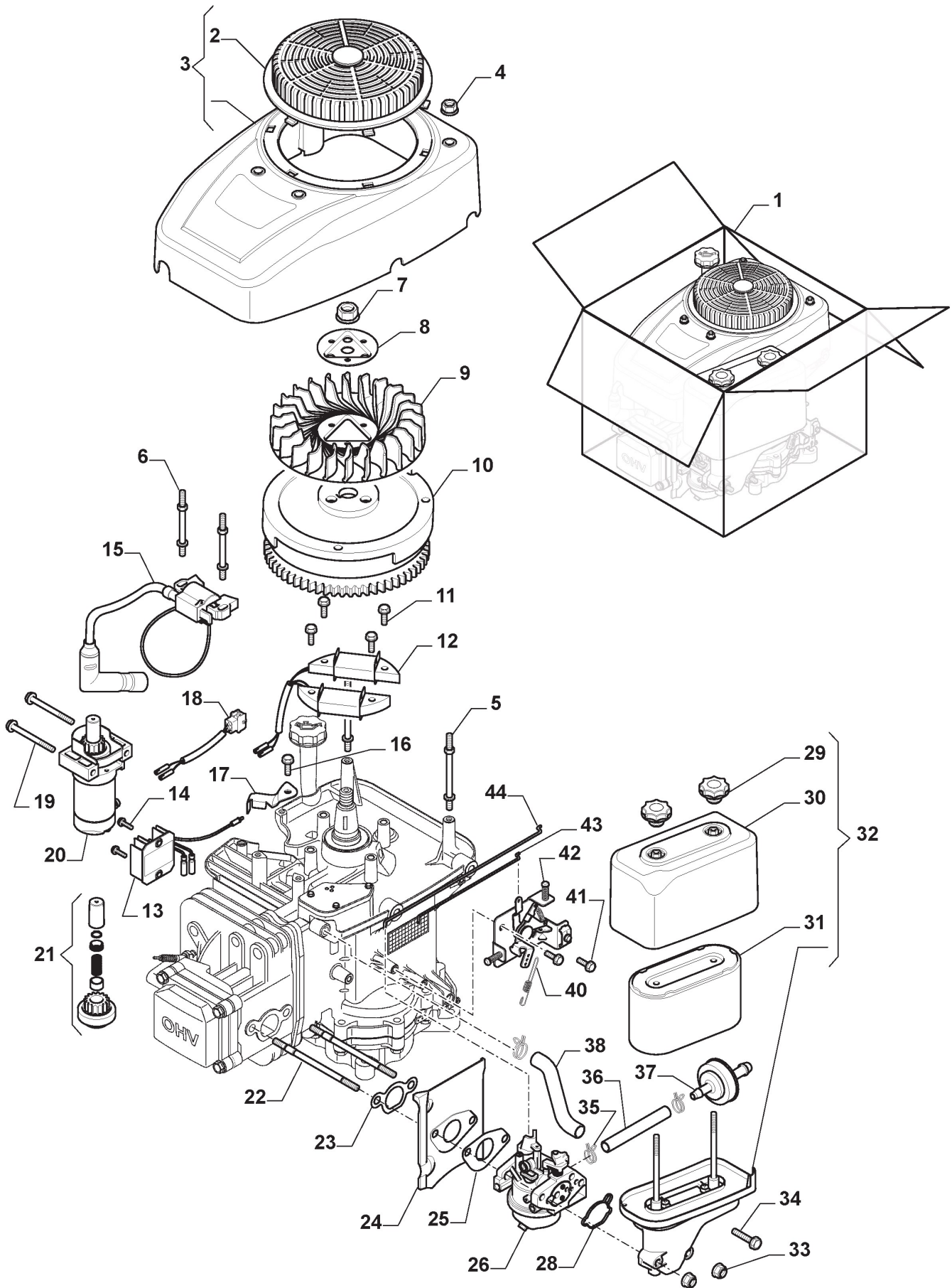
Ref.nr.	Antal	Komponentkode	Beskrivelse	Noter	From	Op til
49	1	778356	Gear	29T (Please contact Peerless service Network using item: 778356)		
50	1	778340	Gear	24T (Please contact Peerless service Network using item: 778340)		
51	1	778344	Gear	20T (Please contact Peerless service Network using item: 778344)		
52	1	778313	Gear	19T (Please contact Peerless service Network using item: 778313)		
52	1	778352	Gear	19T (Please contact Peerless service Network using item: 778352)		
53	1	778346	Gear	15T (Please contact Peerless service Network using item: 778346)		
56	1	778355	Gear	11T (Please contact Peerless service Network using item: 778355)		
57	1	778339	Gear	16T (Please contact Peerless service Network using item: 778339)		
58	1	778343	Gear	20T (Please contact Peerless service Network using item: 778343)		
59	1	778351	Gear	21T (Please contact Peerless service Network using item: 778351)		
60	1	778345	Gear	25T (Please contact Peerless service Network using item: 778345)		
63	1	786071	Spacer	(Please contact Peerless service Network using item: 786071)		
64	1	786072	Spacer	(Please contact Peerless service Network using item: 786072)		
65	1	780189	Thrust Washer	(Please contact Peerless service Network using item: 780189)		
66	1	776422	Input shaft	(Please contact Peerless service Network using item: 776422)		
67	1	776396	Brake shaft	(Please contact Peerless service Network using item: 776396)		
69	1	792170	Retaining ring	(Please contact Peerless service Network using item: 792170)		
70	1	786187	Spacer	(Please contact Peerless service Network using item: 786187)		
71B	1	788092	O-ring	(Please contact Peerless service Network using item: 788092)		
72B	1	786194	Neutral start switch	(Please contact Peerless service Network using item: 786194)		
72A	1	788098	O-ring	(Please contact Peerless service Network using item: 788098)		
76	1	780090	Washer	(Please contact Peerless service Network using item: 780090)		
77	1	788078	Retaining ring	(Please contact Peerless service Network using item: 788078)		
79	1	792144	Spring	(Please contact Peerless service Network using item: 792144)		
82	1	778363	Gear	30T + 13T(Please contact Peerless service Network using item: 778363)		
83	1	778338	Gear	27T (Please contact Peerless service Network using item: 778338)		
85	1	792154	Pipe plug	(Please contact Peerless service Network using item: 792154)		



## Transmission

Ref.nr.	Antal	Komponentkode	Beskrivelse	Noter	From	Op til
87	1	788089	Oil seal	(Please contact Peerless service Network using item: 788089)		
150	1	788093	Liquid gasket	(Please contact Peerless service Network using item: 788093)		
157	2	788088	Oil seal	(Please contact Peerless service Network using item: 788088)		
180	1	730229	Gear oil	EP SAE 80W90 (Please contact Peerless service Network using item: 730229)		







## Engine - Starter Assy, Tank

Ref.nr.	Antal	Komponentkode	Beskrivelse	Noter	From	Op til
1	1	118551424/1	Engine Assembled			
2	1	118551409/0	Cover Assy			
3	1	118551392/1	Air Intake Grill			
4	4	118550806/0	Nut			
5	2	118551422/0	Stud Bolt			
6	2	118551421/0	Stud Bolt			
7	1	118551417/0	Nut			
8	1	118551408/0	Starter Cup			
9	1	118550235/1	Flywheel Fan			
10	1	118551410/0	Flywheel Ass.Y			
11	4	112792099/0	Screw			
12	1	118551502/0	Coil Assy, Charge			
13	1	118551413/0	Rectfier			
14	2	9959-0616-16	Screw			
15	1	118551414/0	Eleetronic Coil			
16	1	9959-0616-16	Screw			
17	1	118551374/0	Plate			
18	1	118551415/0	Output Wire, Rectifier			
19	2	112692050/0	Screw			
20	1	118551412/0	Start Motor Assy			
21	1	118551426/0	Kit Repair			
22	2	118551416/0	Stud Bolt			
23	1	118551395/0	Carburetor Gasket			
24	1	118551397/0	Guard			
25	2	118551394/0	Carburetor Gasket			
26	1	118551500/0	Carburettor			
28	1	118551396/0	Carburetor Gasket			
29	2	118551407/0	Knob			
30	1	118551405/0	Air Cleaner Cover			
31	1	118551406/0	Air Filter			
32	1	118551404/0	Air Cleaner Assy			
33	2	118550806/0	Nut			
34	1	112674701/0	Screw			
35	2	118550918/0	Pipe Clip			
36	1	118551420/0	Fuel Pipe			
37	1	118550427/0	Fuel Filter			
38	1	118551501/0	Breather Pipe			
40	1	118551400/0	Spring			
41	2	118550806/0	Nut			
42	1	118551402/0	Remote Control Assy			
43	1	118551398/0	Choke Control Rod			
44	1	118551399/0	Governor Link			



## Engine - Piston, Crankshaft

Ref.nr.	Antal	Komponentkode	Beskrivelse	Noter	From	Op til
1	1	9959-0620-16	Screw			
2	1	118551375/0	Oil Filler Assy			
3	1	118551418/0	Oil Seal			
4	1	118551387/0	Crankshaft			
5	1	118551386/0	Connecting Rod Assy			
6	1	118551423/0	Piston Assy			
7	1	118551385/0	Piston, Ring Set			
8	1	118551384/0	Piston Pin			
9	2	118551283/0	Washer, Piston Pin			
10	1	118551388/0	Counterweight			
11	1	118551282/0	Washer			
12	1	118551389/0	Camshaft Assy			
13	1	118551376/0	Crankcase Gasket			
14	1	112791500/0	Screw			
15	1	118551403/0	Speed Governor Assy			
16	1	118551425/0	Crankcase Cover			
17	9	9959-0840-16	Screw			
18	1	118551418/0	Oil Seal			
19	1	118551373/0	Oil Drain Plug			
20	2	118551252/0	Valve Lifter			
21	2	118551390/0	Push Rod			
22	1	118551499/0	Gasket			
23	1	118551289/0	Valve Assy, Intake + Exhaust			
24	2	118551245/0	Plate			
25	2	118551248/0	Gasket			
26	1	118551380/0	Cylinder Head			
27	2	118550529/0	Spring Valve			
28	2	118551246/0	Retainer			
29	4	118551247/0	Valve keeper			
30	2	118551244/0	Valve cap			
31	1	118551391/0	Plate			
32	2	118551250/0	Valve Arm Set			
33	6	118551427/0	Screw			
34	1	118551383/0	Seal			
35	1	118551382/0	Cover Comp., Head			
36	4	112791500/0	Screw			
37	1	9400-0244-00	Spark Plug			
38	1	118551272/0	Muffler Gasket			
39	1	118551269/0	Plate, Governor Holder			
41	3	9959-0616-16	Screw			
42	1	118551377/0	Cover			
43	1	118551378/0	Gasket, Breath Groove			
44	1	118551379/0	Valve			
45	1	118550936/0	Shaft, Governor Arm			
46	1	118550666/0	Washer			
47	1	118550935/0	Oil Seal			
48	1	118550934/0	Spring Pin			
49	1	118551401/0	Staffa			