

ESTATE COLLECTOR (2008) [13-2569-13]

Technical information

Article number	13-2569-13
Season	2007-2008
Brand Code	Stiga
Product Name	ESTATE COLLECTOR
SubCategory	Ride-on 92 - 102
Type	Machine

Documents

Chassis Low End

Body

Steering 13"

Brake And Gearbox Controls

Engine - GGP

Transmission

Cutting Plate Lifting

Guards And Conveyor

Cutting Plate

Grass-Catcher Low End - 260 lt

Electrical Parts

Optionals On Request

Labels

Tank

Seat & Steering Wheel

Wheels

Engine - GGP TRE0702

Engine - GGP TRE0702

Transmission

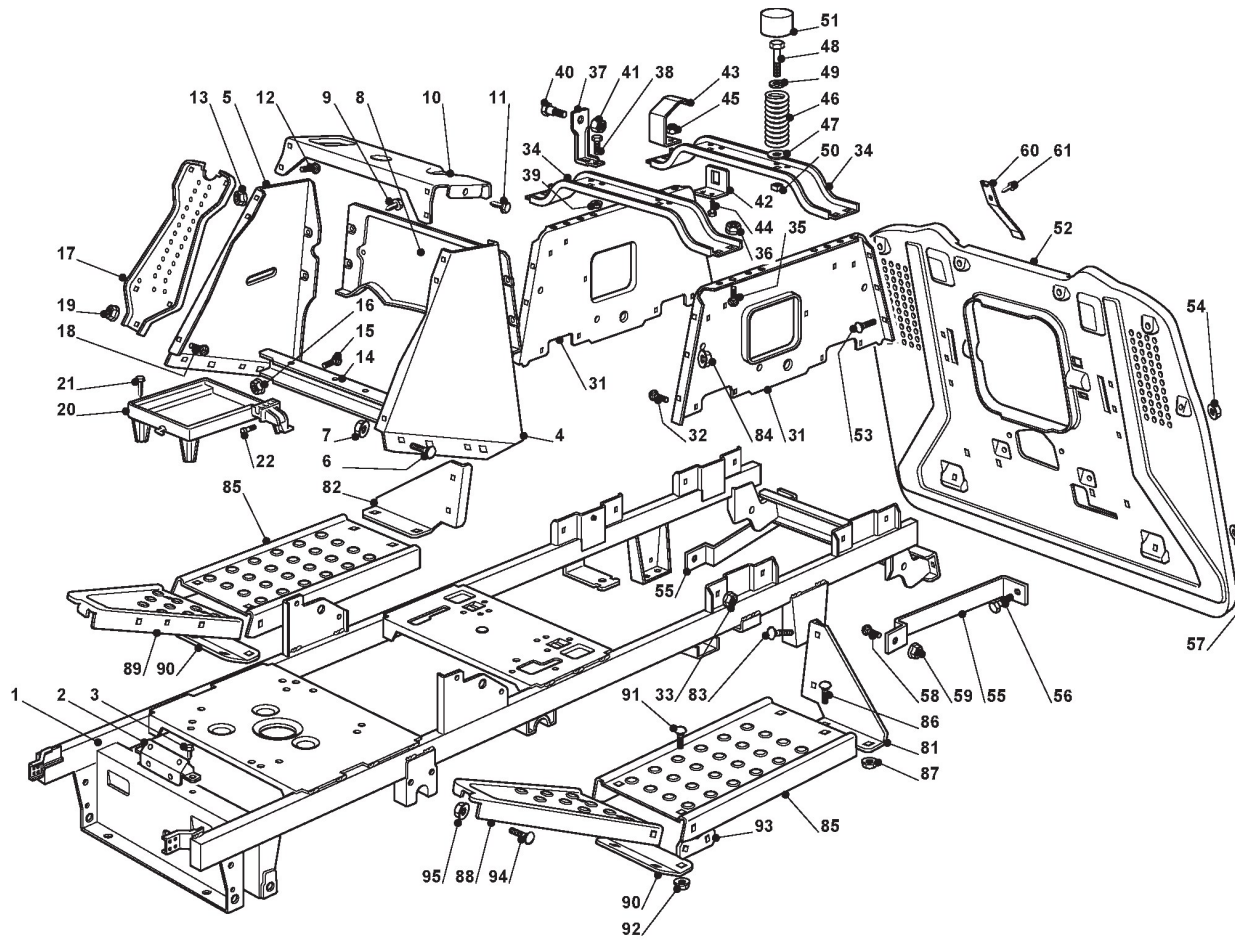


Illustration Chassis Low End

Reference	Qty	Item number	Description	Notes	From	Up to
1	1	82800095/0	Chassis			
2	1	382774253/0	Clamp			
3	4	112735121/0	Screw			
4	1	325785243/1	Left Dashboard Support			
5	1	325785245/0	Right Dashboard Support			
6	4	112818690/0	Screw			
7	4	112293201/0	Nut			
8	1	382785151/1	Rear Dashboard Support			
9	4	112735110/0	Screw			
10	1	325785255/0	Central Dashboard Support			
11	2	112735110/0	Screw			
12	4	112815200/0	Screw			
13	4	112292102/0	Nut			
14	1	325785241/0	Support			
15	2	112815200/0	Screw			
16	2	112292102/0	Nut			
17	2	82785153/0	Front Dashboard Support			
18	2	112815200/0	Screw			
19	2	112292102/0	Nut			
20	1	25785279/0	Battery Support			
20	1	325785279/1	Battery Support			
21	4	112760490/0	Screw			
22	1	125510099/0	Pin			
31	2	25785249/0	Seat Support			
32	8	112815200/0	Screw			
33	8	112292102/0	Nut			
34	2	25785257/0	Seat Support			
35	8	112818690/0	Screw			
36	8	112293201/0	Nut			
37	2	325755039/0	Bracket			
38	4	112792611/0	Screw			
39	4	112293201/0	Nut			
40	2	122524970/2	Fulcrum Pin			
41	2	112155010/0	Nut			
42	1	325755043/0	Bracket			
43	1	325430253/0	Spring			
44	2	112789000/0	Screw			
45	2	112154330/0	Nut			
46	2	25430257/0	Spring			
47	2	112523070/0	Washer			
48	2	112760515/0	Screw			
49	2	122671653/0	Washer			
50	2	112360425/0	Nut			
51	2	325122000/2	Cap			
52	1	82547041/0	Plate			

Illustration Chassis Low End

Reference	Qty	Item number	Description	Notes	From	Up to
53	6	112792611/0	Screw		From 01-september-2008	
53	6	112818690/0	Screw		From 01-september-2006	
54	6	112293201/0	Nut		To 31-august-2008	
55	2	325650119/0	Plate Stiffening			
56	2	112792611/0	Screw		From 01-september-2008	
56	2	112818690/0	Screw		From 01-september-2006	
57	2	112293201/0	Nut		To 31-august-2008	
58	2	112818690/0	Screw			
59	2	112293201/0	Nut			
60	1	127430554/0	Spring			
61	1	112735110/0	Screw			
81	1	325774371/0	Footboard Support			
82	1	325774369/0	Footboard Support			
83	4	112792611/0	Screw		From 01-september-2008	
83	4	112818690/0	Screw		From 01-september-2006	
84	4	112293201/0	Nut		To 31-august-2008	
85	2	25500035/0	Footboard Support			
86	4	112792611/0	Screw		From 01-september-2008	
86	4	112818690/0	Screw		From 01-september-2006	
87	4	112292102/0	Nut		To 31-august-2008	
88	1	25500033/0	Left Footboard Support			
89	1	25500031/0	Right Footboard Support			
90	2	25774375/0	Clamp			
91	12	112815205/0	Screw			
92	12	112293201/0	Nut			
93	2	325774351/0	Clamp			
94	4	112815200/0	Screw			
95	4	112293201/0	Nut			

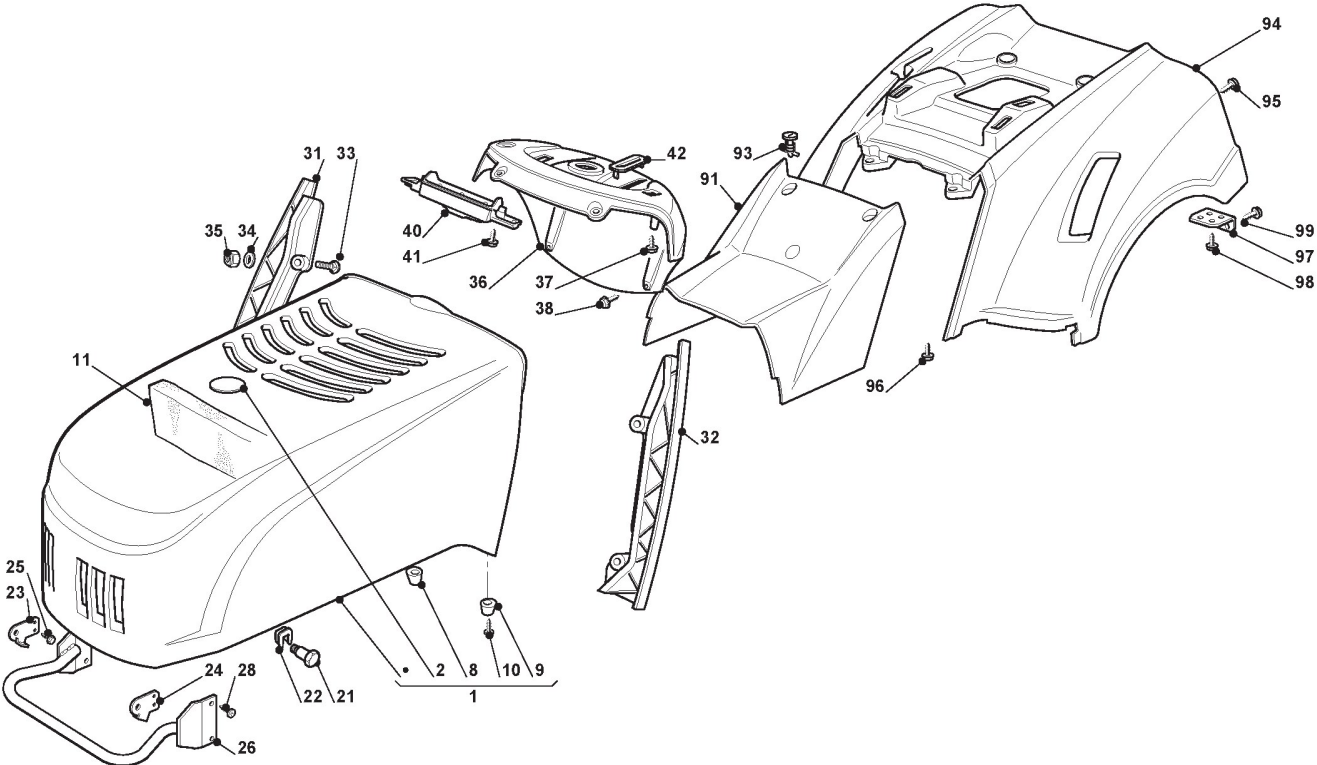


Illustration Body

Reference	Qty	Item number	Description	Notes	From	Up to
1	1	382076902/1	Engine Hood Red			
2	1	25547025/0	Plate Red	To 31-august-2003		
2	1	325547025/1	Injection Plaque 300941Ggp Tcp	From 01-september-2003		
8	1	125580012/0	Right Pin			
9	1	125580013/0	Left Pin			
10	2	112727356/0	Screw			
11	1	125730005/1	Intake Separator			
21	2	125510045/0	Stud			
22	2	112436050/0	Plate			
23	1	325547089/0	Plate	To 31-august-2010		
23	1	325547089/1	Right Plate	From 01-september-2010		
24	1	325547091/0	Plate	To 31-august-2010		
24	1	325547091/1	Left Plate	From 01-september-2010		
25	4	112731580/0	Screw			
26	1	382869031/0	Muffler Protection			
28	4	112734995/0	Screw			
31	1	325599010/0	Dashboard, Right Profile			
32	1	325599011/0	Left Dashboard Support			
33	4	112815221/0	Screw			
34	4	112521330/0	Washer			
35	4	112154510/0	Nut			
36	1	325120190/0	Dashboard			
37	2	112728440/0	Screw			
38	2	112735402/0	Screw			
40	1	325600074/0	Card Protection			
41	2	112735402/0	Screw			
42	1	325547181/0	Plate			
91	1	325110363/0	Cover, Red			
93	2	125580020/0	Belt Guide Peg	To 31-august-2010		
93	2	125580020/2	Stake	From 01-september-2010		
94	1	325110322/0	Red Wheels Cover			
95	4	112735402/0	Screw			
96	2	112735402/0	Screw			
97	2	325755041/0	Bracket			
98	4	112728686/0	Screw			
99	2	112735110/0	Screw			

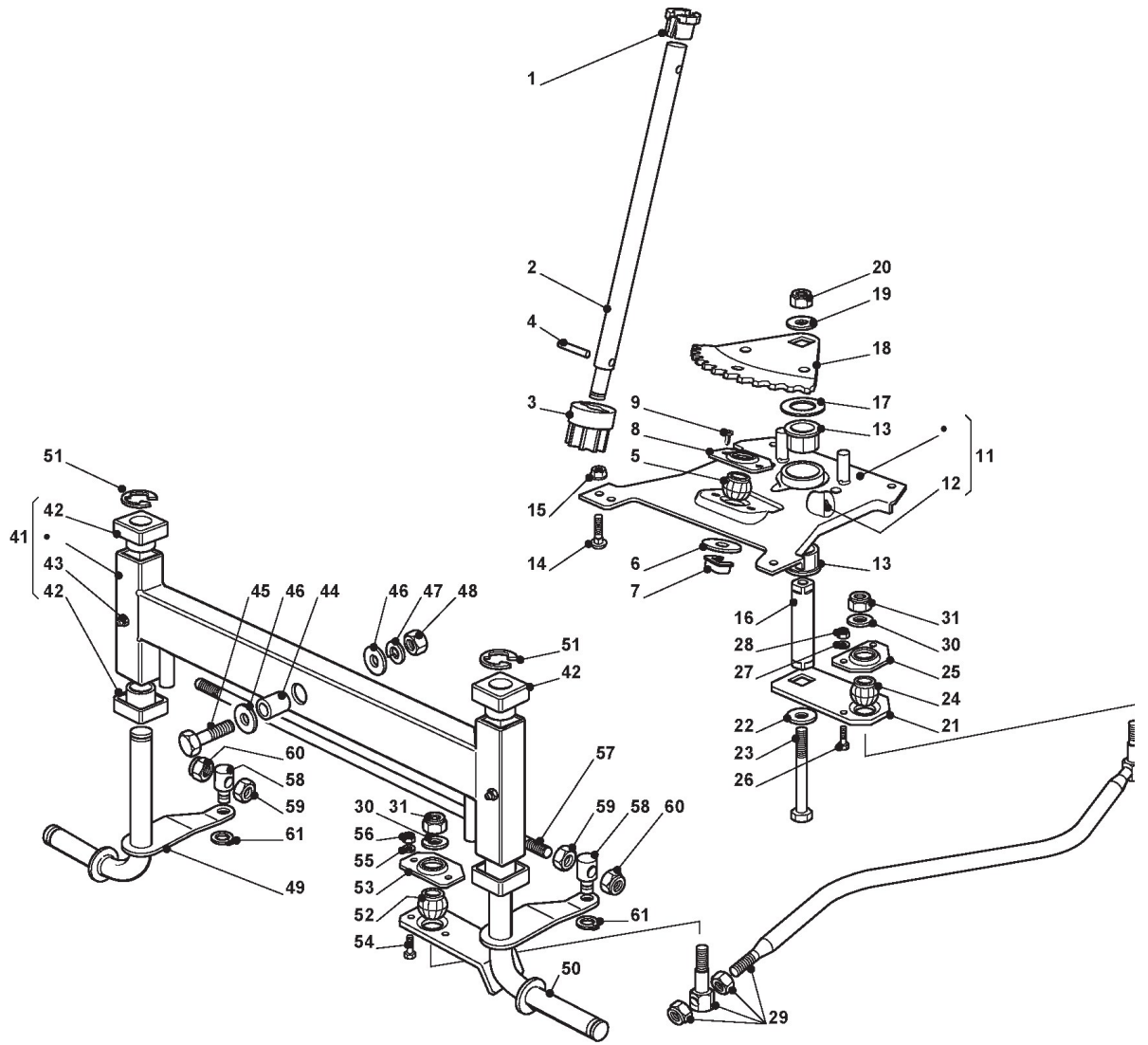


Illustration Steering 13"

Reference	Qty	Item number	Description	Notes	From	Up to
1	1	325038004/0	Bushing			
2	1	25520006/0	Steering Column			
3	1	127570050/0	Pinion			
4	1	112622650/0	Dowel pin			
5	1	325743000/0	Joint			
6	1	112521370/0	Washer			
7	1	112436030/0	Plate			
8	1	325785213/0	Teering Joint Support			
9	2	112729601/1	Screw	From 01-september-2003		
9	2	12729601/0	Screw	To 31-august-2003		
11	1	382547045/0	Support			
12	1	112379511/0	Grease Dispenser			
13	2	325040624/0	Bushing			
14	4	112815200/0	Screw			
15	4	112292102/0	Nut			
16	1	125510092/0	Pin			
17	1	125670019/0	Washer			
18	1	325735513/0	Steering Sector			
19	1	112523080/0	Washer			
20	1	112155020/0	Nut			
21	1	325318205/0	Lever			
22	1	112523080/0	Washer			
23	1	112794985/0	Screw			
24	1	325743000/0	Joint			
25	1	325785213/0	Teering Joint Support			
26	2	112791213/1	Screw	From 01-september-2003		
26	2	12791213/0	Screw	To 31-august-2003		
27	2	112521330/0	Washer			
28	2	112154510/0	Nut			
29	1	382000538/1	Steering Rod			
30	2	112523070/0	Washer			
31	2	112155010/0	Nut			
41	1	382034021/1	Equalizer With Bush And Lubricator			
42	4	325040622/0	Bushing			
43	2	112379511/0	Grease Dispenser			
44	1	125160016/0	Spacer			
45	1	112692695/0	Screw			
46	2	112523100/0	Washer			
47	1	112587100/0	Grower			
48	1	112295300/0	Nut			
49	1	382230363/0	Right Stub Axle			
50	1	382230365/0	Left Stub Axle			
51	2	112001000/0	Benzing Ring			
52	1	325743000/0	Joint			
53	1	325785213/0	Teering Joint Support			

Illustration Steering 13"

Reference	Qty	Item number	Description	Notes	From	Up to
54	2	112791213/1	Screw			
54	2	12791213/0	Screw	From 01-september-2003		
55	2	112521330/0	Washer	To 31-august-2003		
56	2	112154510/0	Nut			
57	1	125840022/0	Tie Rod			
58	2	125510096/0	Pin			
59	2	112295200/0	Nut			
60	2	112156602/0	Nut			
61	2	112000956/0	Benzing Ring			

Illustration Brake And Gearbox Controls

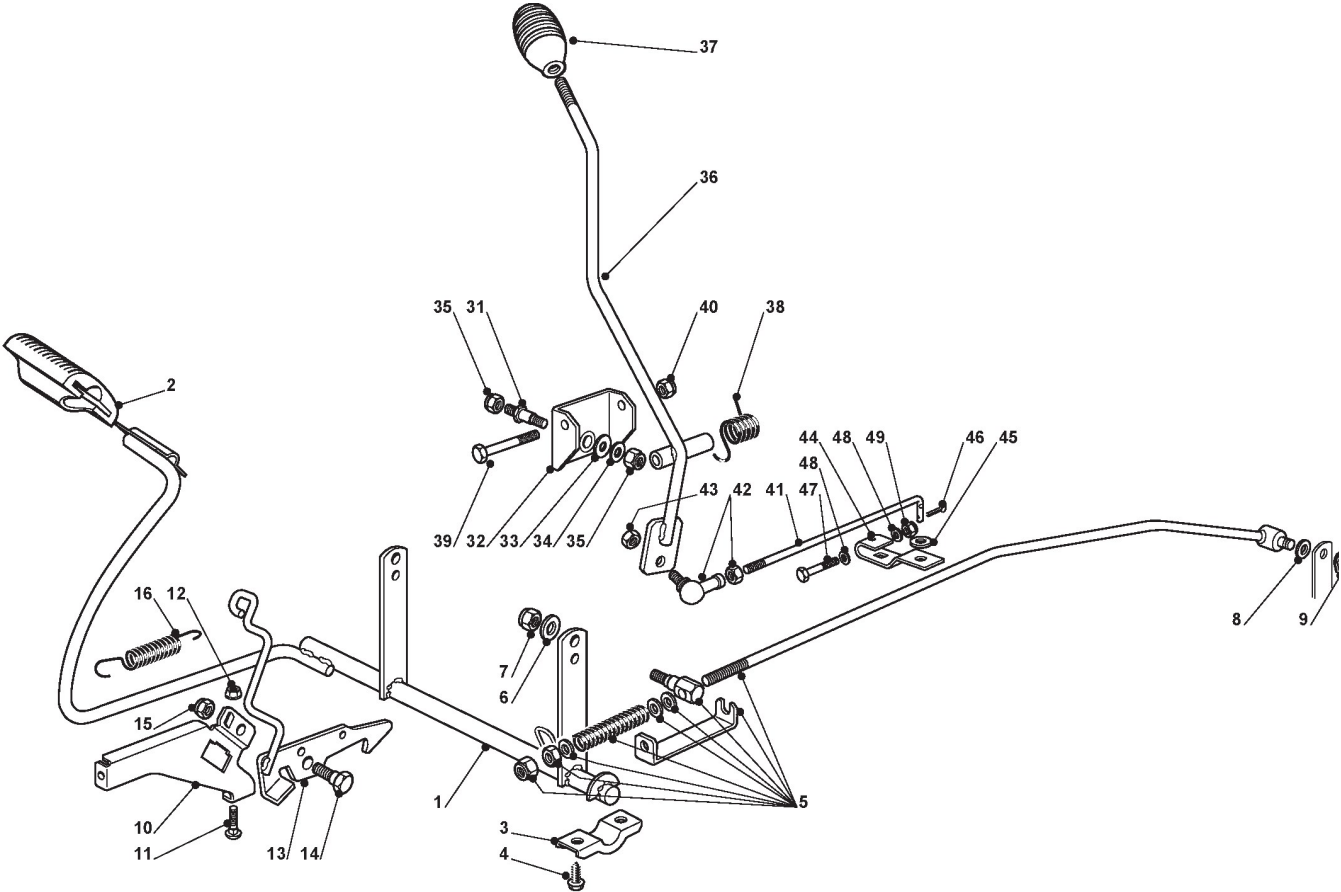


Illustration Brake And Gearbox Controls

Reference	Qty	Item number	Description	Notes	From	Up to
1	1	382500027/1	Pedal		From 01-september-2007	
1	1	82500027/0	Pedal		From 01-september-2006	
2	1	125110269/0	Clamp Cover		To 31-august-2007	
3	2	327546015/1	Plate			
4	4	112729601/1	Screw		From 01-september-2003	
4	4	12729601/0	Screw		To 31-august-2003	
5	1	82000541/0	Rod			
6	1	112523040/0	Washer			
7	1	112154510/0	Nut			
8	1	112521350/0	Washer			
9	1	112436050/0	Plate			
10	1	325785261/0	Support			
11	2	112815200/0	Screw			
12	2	112292102/0	Nut			
13	1	382000531/0	Rod			
14	1	122524970/2	Fulcrum Pin			
15	1	112155000/0	Nut			
16	1	125430213/0	Spring			
31	1	125510035/0	Pin			
32	1	382774247/0	Clamp			
33	1	322672152/0	Antifriction Washer			
34	1	112523060/0	Washer			
35	2	112155010/0	Nut			
36	1	382318215/0	Gearshift			
37	1	125394510/0	Knob			
38	1	125430258/0	Spring			
39	1	112692050/0	Screw			
40	1	112155000/0	Nut			
41	1	125840020/0	Tie Rod			
42	1	122746601/0	Joint			
43	1	112155000/0	Nut			
44	1	325318128/0	Gearshift			
45	1	112521340/0	Washer			
46	1	112141418/0	Cotter Pin			
47	1	112689500/0	Screw			
48	2	112521330/0	Washer			
49	1	112154510/0	Nut			

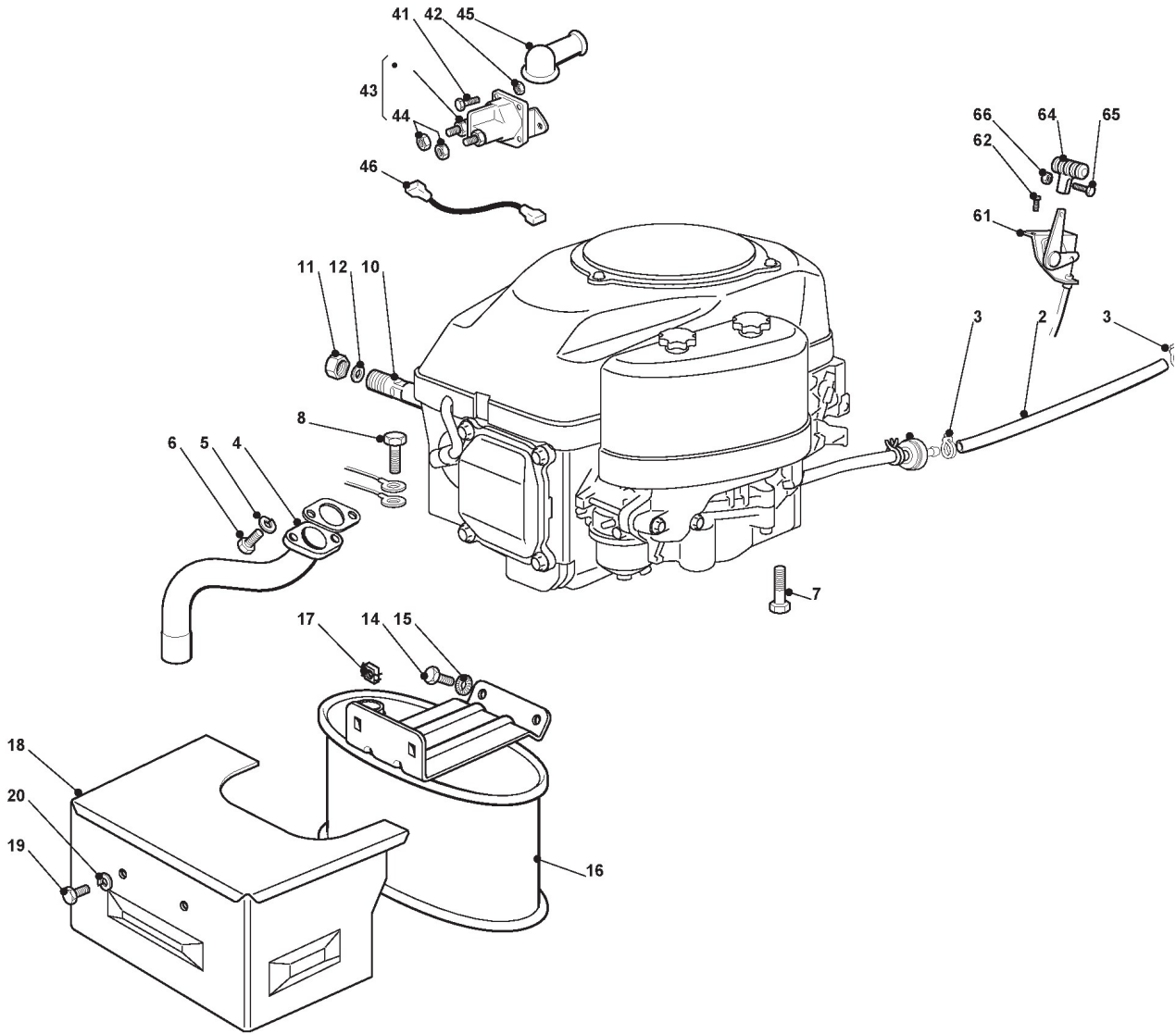


Illustration Engine - GGP

Reference	Qty	Item number	Description	Notes	From	Up to
2	1	325869057/0	Connecting Tube			
3	4	118375051/1	Fair Led			
4	1	118738231/1	Exhaust Tube			
5	2	112583500/0	Grower			
6	2	112737450/0	Screw			
7	4	112735108/1	Screw			
8	1	112735599/0	Screw			
10	1	127598060/0	Oil Discharge Extension			
11	1	118737849/0	Plug			
12	1	118401001/1	Oil Seal			
14	2	112793102/0	Screw			
15	2	112540260/0	Washer			
16	1	182750010/0	Muffler			
17	2	112360425/0	Nut			
18	1	382598039/0	Guard			
19	2	112792611/0	Screw			
20	2	112583500/0	Grower			
41	2	112791213/1	Screw	From 01-september-2003		
41	2	12791213/0	Screw	To 31-august-2003		
42	2	112292102/0	Nut			
43	1	118736110/0	Starter Relay	To 31-august-2016		
43	1	118736113/0	Starter Relay	From 01-september-2016		
44	2	112360352/0	Nut			
45	1	118564861/2	Protection	From 01-september-2017		
45	1	118564864/1	Protection	To 31-august-2017		
46	1	125065017/0	Cable			
61	1	182000212/0	Accelerator			
62	2	125943012/0	Screw			
64	1	325592000/0	Knob	To 31-august-2017		
64	1	325592000/1	Knob	From 01-september-2017		
65	1	112726388/0	Screw			
66	1	112290800/0	Nut			

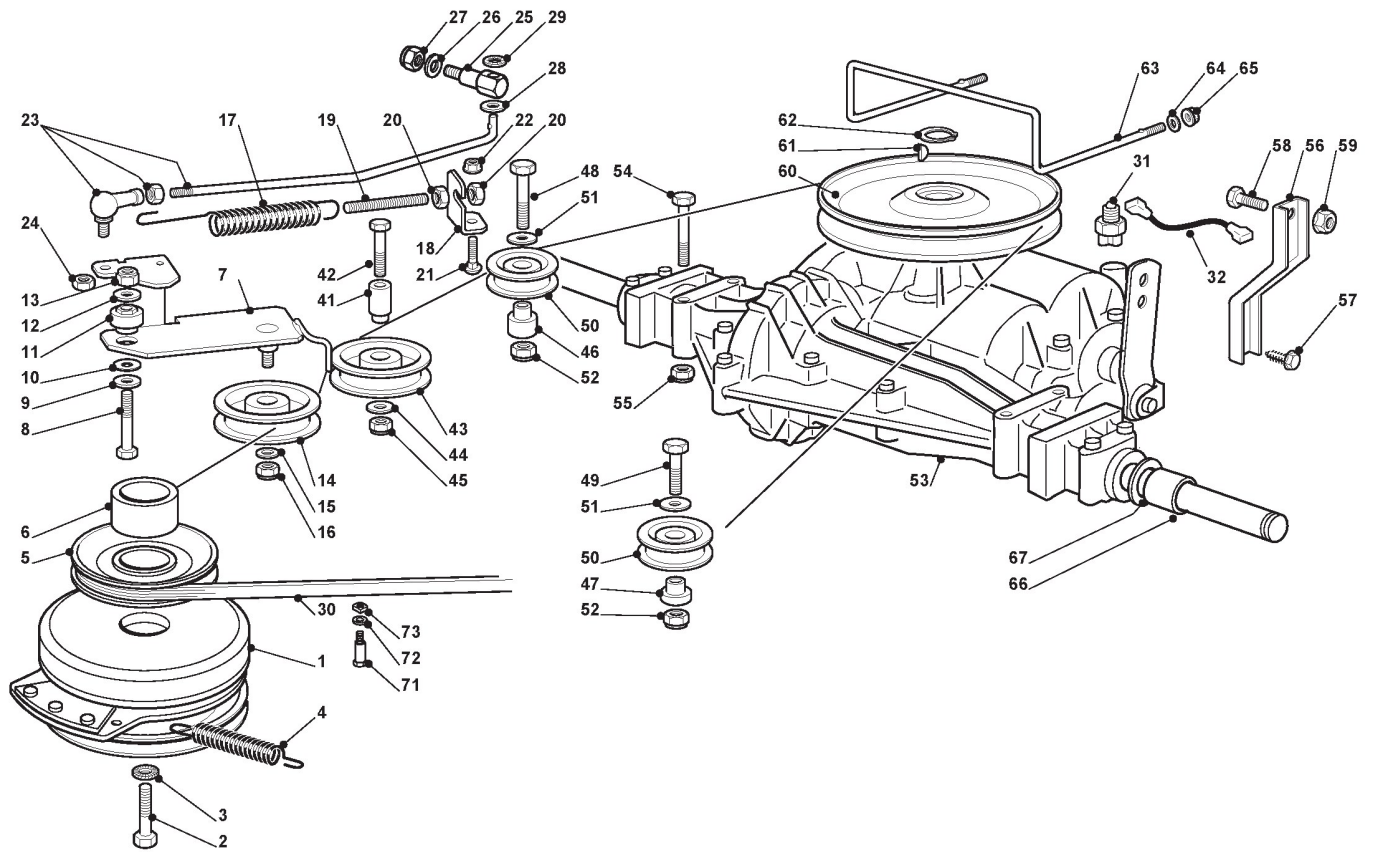


Illustration Transmission

Reference	Qty	Item number	Description	Notes	From	Up to
1	1	118399061/0	Clutch	To 31-august-2007		
1	1	118399063/0	Electromagnetic Clutch	From 01-september-2007		
2	1	112737320/0	Screw			
3	1	112543000/0	Washer			
4	1	122430216/0	Tension Spring	To 31-august-2010		
4	1	122430216/1	Spring	From 01-september-2010		
5	1	125601567/0	Pulley			
6	1	125160021/0	Spacer			
7	1	382318217/0	Lever			
8	1	112691115/0	Screw			
9	1	112523060/0	Washer			
10	1	327670055/0	Antifriction Washer			
11	1	125510087/0	Pin			
12	1	112523060/0	Washer			
13	1	112155000/0	Nut			
14	1	125601554/0	Pulley			
15	1	112523060/0	Washer			
16	1	112155000/0	Nut			
17	1	125430260/0	Spring			
18	1	325755049/0	Bracket			
19	1	125840005/0	Tie Rod			
20	2	112293200/0	Nut			
21	1	112818690/0	Screw			
22	1	112293201/0	Nut			
23	1	382820013/0	Tie Rod			
24	1	112155000/0	Nut			
25	1	125510063/0	Pin			
26	2	325670011/0	Antifriction Washer			
27	1	112155000/0	Nut			
28	1	112521350/0	Washer			
29	1	112604899/0	Crown Fastener			
30	1	135062012/0	Belt			
31	1	119410610/0	Micro Lever			
32	1	125065026/0	Cable			
41	1	125510100/0	Pin			
42	1	112691800/0	Screw			
43	1	125601555/0	Pulley			
44	1	112523060/0	Washer			
45	1	112155000/0	Nut			
46	1	125160014/1	Right Spacer			
47	1	125160018/1	Left Spacer			
48	1	112691200/0	Screw			
49	1	112691100/0	Screw			
50	2	125601588/0	Pulley			
51	2	122671653/0	Washer			
52	2	112155000/0	Nut			

Illustration Transmission

Reference	Qty	Item number	Description	Notes	From	Up to
53	1	118400912/0	Rear Axle (Dana 4360-211)			
54	4	112691900/0	Screw			
55	4	112154210/0	Nut			
56	2	325774247/0	Bracket			
57	2	112735150/0	Screw			
58	2	112792611/0	Screw			
59	2	112293201/0	Nut			
60	1	182601509/0	Pulley			
61	1	112139430/0	Key			
62	1	112608950/0	Seeger			
63	1	125270321/0	Belt Guide			
64	2	112523040/0	Washer			
65	2	112292102/0	Nut			
66	2	125160034/0	Spacer			
67	24	112521410/0	Washer			
71	2	125580030/0	Belt Guide Peg			
72	2	112523060/0	Washer			
73	2	112360425/0	Nut			

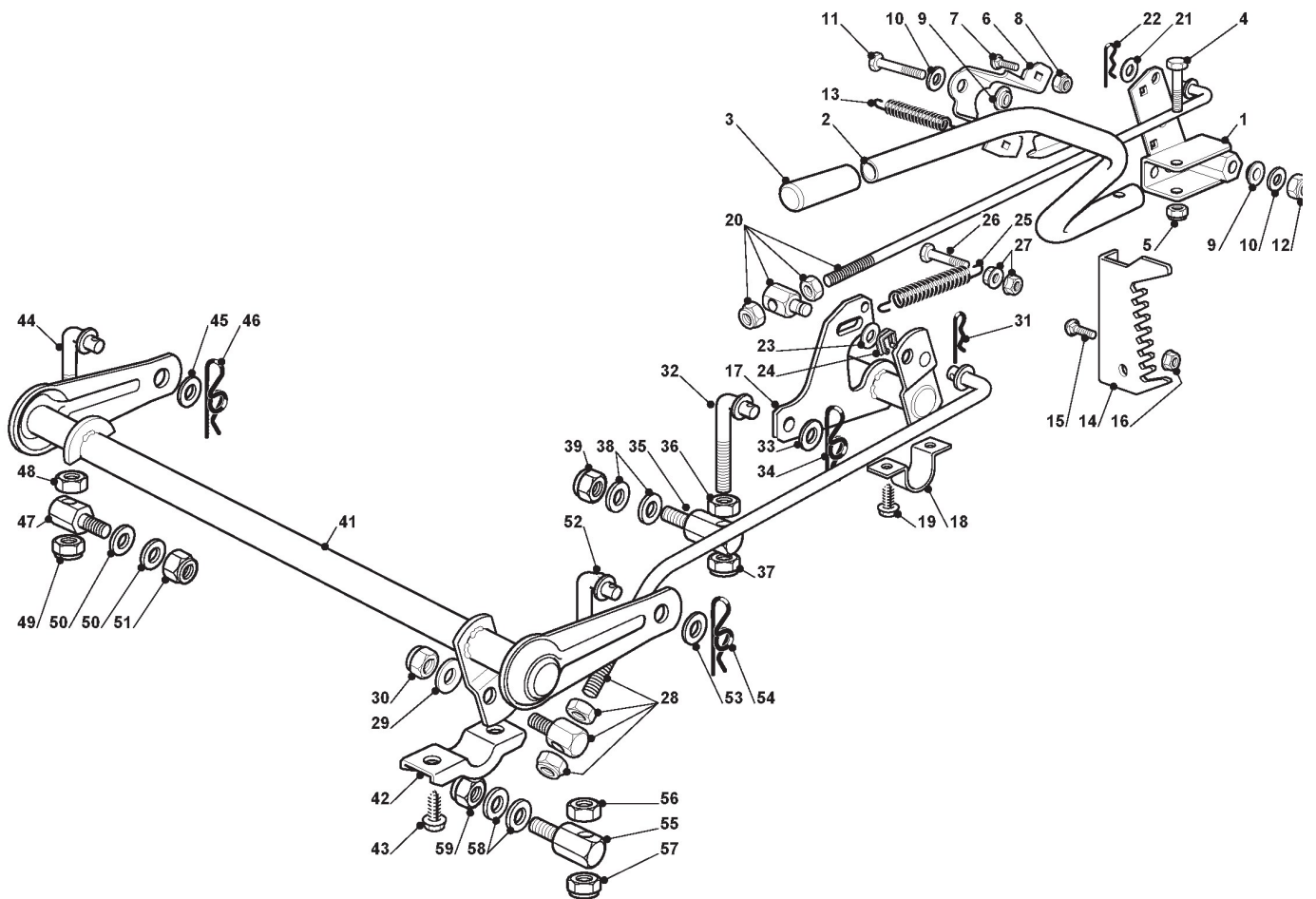


Illustration Cutting Plate Lifting

Reference	Qty	Item number	Description	Notes	From	Up to
1	1	382774249/0	Clamp			
2	1	82318219/0	Lever			
3	1	125394508/0	Knob			
4	1	112674700/0	Screw			
5	1	112154510/0	Nut			
6	1	325650113/0	Plate			
7	2	112818690/0	Screw			
8	2	112155000/0	Nut			
9	2	122041980/0	Bushing			
10	2	112523060/0	Washer			
11	1	112691600/0	Screw			
12	1	112155000/0	Nut			
13	1	125430259/0	Spring			
14	1	325735511/0	Sector			
15	2	112818690/0	Screw			
16	2	112293201/0	Nut			
17	1	382000387/0	Axle			
18	2	325547041/0	Left Plate			
19	4	112731601/0	Screw			
20	1	382000536/0	Rod			
21	1	325670011/0	Antifriction Washer			
22	1	124487998/0	Cotter Pin			
23	1	325670008/1	Washer			
24	1	112436050/0	Plate			
25	1	122446402/0	Spring			
26	1	112792410/0	Screw			
27	2	112292102/0	Nut			
28	1	382000537/0	Connecting Rod			
29	2	325670008/1	Washer			
30	1	112156602/0	Nut			
31	1	124487998/0	Cotter Pin			
32	1	125840025/0	Tie Rod			
33	1	325670008/1	Washer			
34	1	124487998/0	Cotter Pin			
35	1	125510090/0	Pin			
36	1	112295200/0	Nut			
37	1	112156602/0	Nut			
38	2	325670008/1	Washer			
39	1	112156602/0	Nut			
41	1	382000385/0	Axle			
42	2	327546015/1	Plate			
43	4	112731350/0	Screw			
44	1	125840024/0	Tie Rod			
45	1	325670008/1	Washer			
46	1	124487998/0	Cotter Pin			
47	1	125510098/0	Pin			

Illustration Cutting Plate Lifting

Reference	Qty	Item number	Description	Notes	From	Up to
48	1	112295200/0	Nut			
49	1	112156602/0	Nut			
50	2	325670008/1	Washer			
51	1	112156602/0	Nut			
52	1	125840025/0	Tie Rod			
53	1	325670008/1	Washer			
54	1	124487998/0	Cotter Pin			
55	1	125510090/0	Pin			
56	1	112295200/0	Nut			
57	1	112156602/0	Nut			
58	2	325670008/1	Washer			
59	1	112156602/0	Nut			

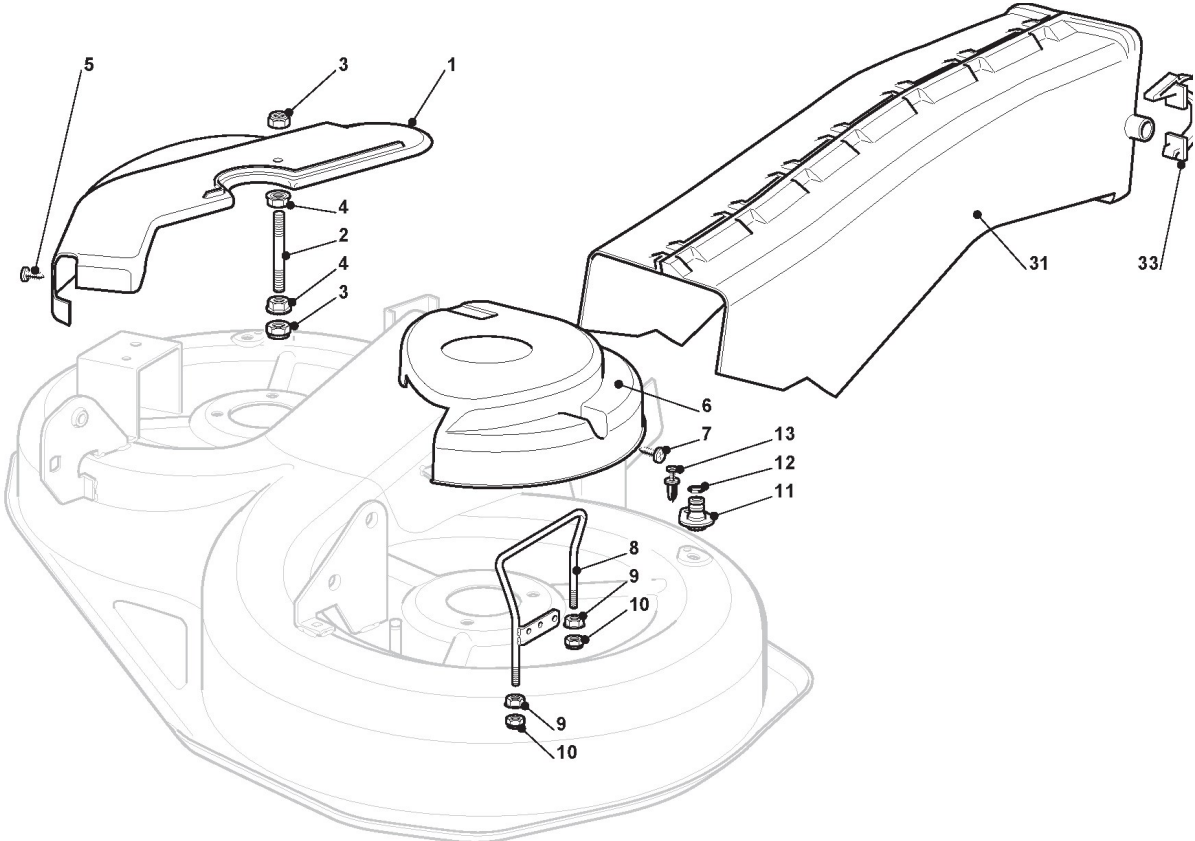


Illustration Guards And Conveyor

Reference	Qty	Item number	Description	Notes	From	Up to
1	1	325060111/0	Right Belt Protection Carter			
2	1	125580007/0	Belt Guide Peg			
3	2	112155000/0	Nut			
4	2	112293201/0	Nut			
5	2	112735110/0	Screw			
6	1	325060112/0	Left Belt Protection			
7	2	112735110/0	Screw			
8	1	382270301/0	Belt Guide			
9	2	112293201/0	Nut			
10	2	112155000/0	Nut			
11	2	125033060/0	Washing Cutting Deck Connection			
12	2	119035000/0	Or Ring			
13	2	112500030/0	Rivet			
31	1	382108008/0	Conveyor			
33	2	325774373/0	Clamp			

Illustration Cutting Plate

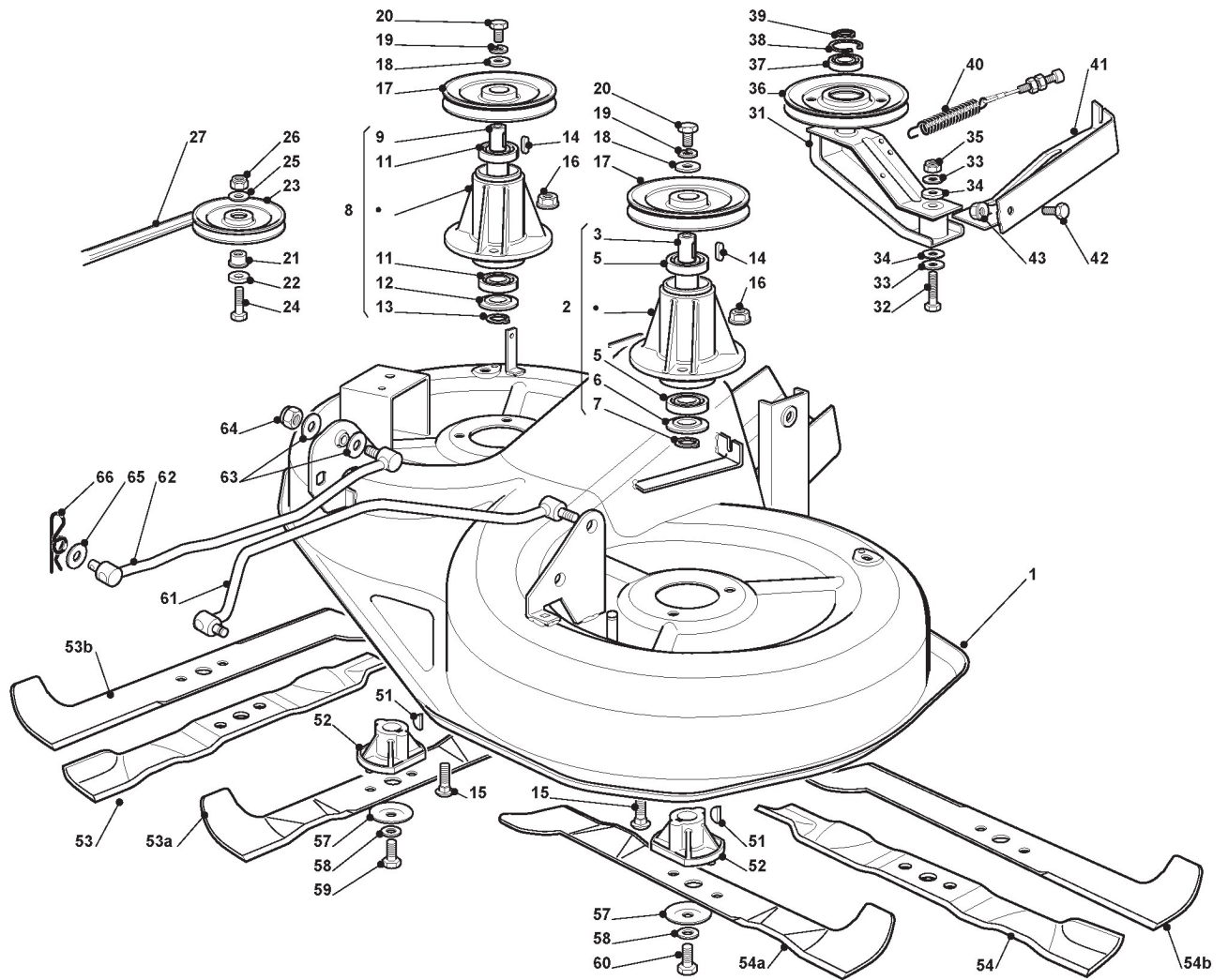


Illustration Cutting Plate

Reference	Qty	Item number	Description	Notes	From	Up to
1	1	382564075/0	Cutting Plate Black			
2	1	382207202/0	Left Flange Ass.Y			
3	1	125020802/0	Shaft			
5	2	119216032/0	Bearing	To 31-august-2010		
5	2	119216047/0	Bearing	From 01-september-2010		
6	1	325160501/0	Dust Cover Disc			
7	1	112609260/0	Seeger			
8	1	382207203/0	Right Flange Assy			
9	1	125020803/0	Secondary Blade Shaft			
11	2	119216032/0	Bearing	To 31-august-2010		
11	2	119216047/0	Bearing	From 01-september-2010		
12	1	325160501/0	Dust Cover Disc			
13	1	112609260/0	Seeger			
14	2	112139480/0	Feather			
15	6	112818700/0	Screw	To 31-august-2016		
15	6	9959-0825-16	Screw	From 01-september-2016		
16	6	112154210/0	Nut			
17	2	125601563/0	Pulley			
18	2	125670007/0	Washer			
19	2	112583500/0	Grower			
20	2	112793102/0	Screw			
21	1	125160007/0	Spacer	To 31-august-2010		
21	1	125160007/1	Pulley	From 01-september-2010		
21	1	125160079/0	Spacer	To 31-august-2013 From 01-september-2013		
22	1	125670007/0	Washer			
23	1	125601555/0	Pulley	To 31-august-2013		
23	1	325601599/0	Pulley	From 01-september-2013		
24	1	112691115/0	Screw			
25	1	112523060/0	Washer			
26	1	112155000/0	Nut			
27	1	135061508/0	Belt			
31	1	382318141/2	Lever			
32	1	112691700/0	Screw			
33	2	112523070/0	Washer			
34	2	322672152/0	Antifriction Washer			
35	1	112155000/0	Nut			
36	1	125601564/0	Pulley	To 31-august-2013		
36	1	125601564/1	Pulley	From 01-september-2013		
37	1	119216033/1	Bearing	To 31-august-2010		
37	1	119216048/0	Bearing	From 01-september-2010		
38	1	112610800/0	Seeger			
39	1	112609200/0	Seeger			
40	1	382004618/0	Wire			
41	1	382774215/2	Clamp	To 31-august-2010		
41	1	382774215/3	Clamp	From 01-september-2010		
42	1	112792611/0	Screw			

Illustration Cutting Plate

Reference	Qty	Item number	Description	Notes	From	Up to
43	1	112293201/0	Nut			
51	2	112139100/0	Key			
52	2	125463200/0	Blade Hub			
53	1	182004345/1	Right Blade, Winged	Pos. 53b		
53	1	182004352/0	Right Mulching Blade			
53	1	182004354/0	Right Blade, Winged	Pos. 53a		
54	1	181004346/3	Blade			
54	1	182004344/1	Left Blade, Winged	Pos. 54b		
54	1	182004353/0	Left Blade Mulching, Winged	Pos. 54a		
57	2	122160400/0	Elastic Disc			
58	2	112523080/0	Washer			
59	1	112735695/1	Screw			
60	1	112735694/0	Screw			
61	1	382000535/0	Equalizer Rod	To 31-august-2015		
61	1	382000535/0LC	Equalizer Rod	From 01-september-2015		
62	1	382000533/0	Equalizer Rod			
63	4	325670008/1	Washer			
64	2	112156602/0	Nut			
65	2	325670008/1	Washer			
66	2	124487998/0	Cotter Pin			

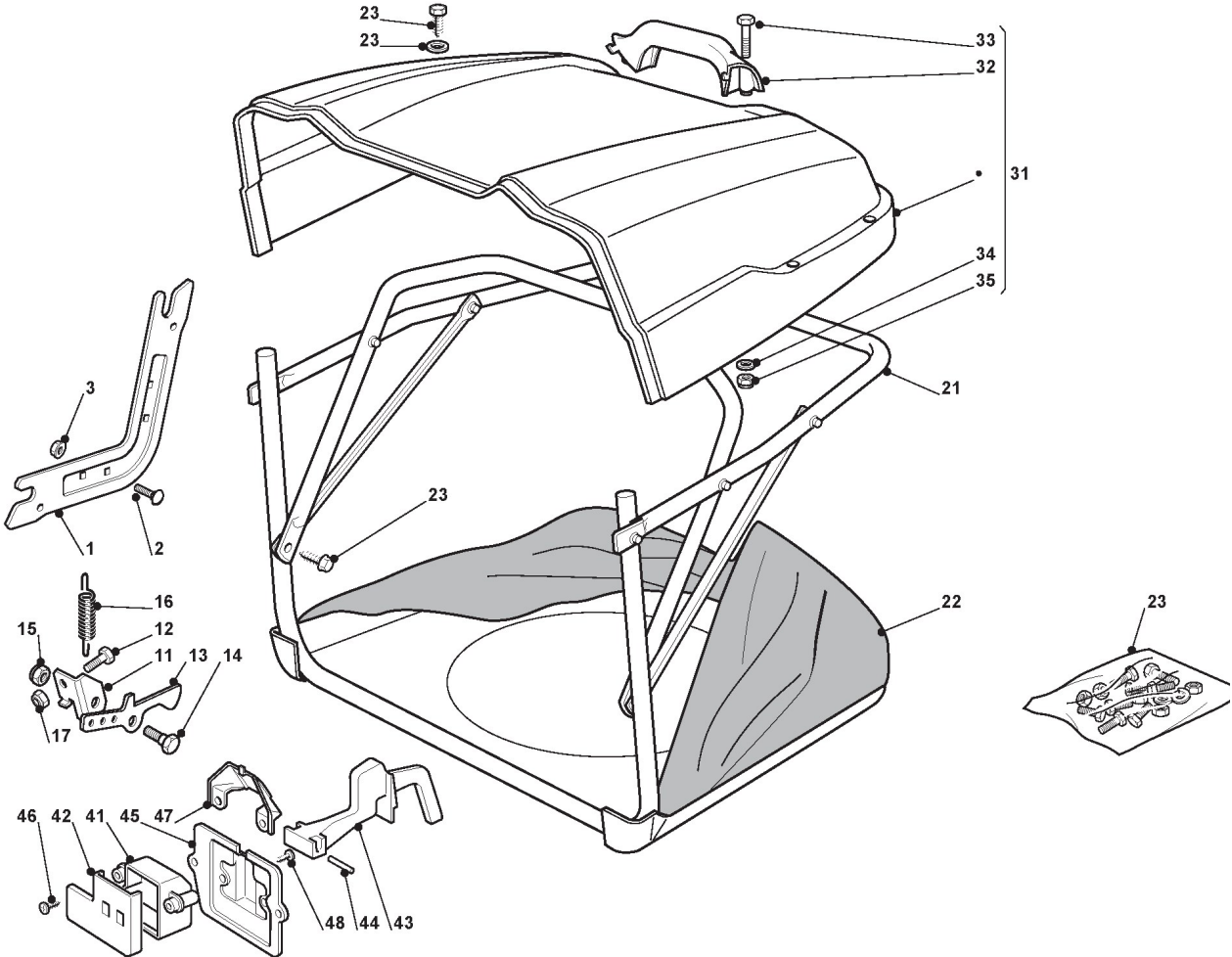


Illustration Grass-Catcher Low End - 260 lt

Reference	Qty	Item number	Description	Notes	From	Up to
1	2	325785277/0	Support			
2	4	112293201/0	Nut			
3	4	112818690/0	Screw			
11	1	325755031/1	Bracket	From 01-september-2010		
12	1	112789000/0	Screw			
13	1	325774315/0	Hooking Clamp	To 31-august-2010		
13	1	325774315/1	Bracket	From 01-september-2010		
14	1	125510080/0	Pin	To 31-august-2010		
14	1	125510080/1	Pin	From 01-september-2010		
15	1	112292102/0	Nut			
16	1	122450432/0	Spring			
17	1	112154330/0	Nut			
21	1	382800110/0	Front Frame			
22	1	182105974/0	Grasscatcher			
23	1	382180047/0	Screw			
31	1	82110273/0	Black Grass-Catcher Cover			
32	1	127394000/0	Handle			
33	2	112789020/0	Screw			
34	2	112523020/0	Washer			
35	2	112154330/0	Nut			
41	1	125600041/0	Grassc.Full Micro Protection Tcj-F			
42	1	125600042/0	Grasscatcher Micro Prot Cover			
43	1	125318124/0	Full Grassc. Microswtich Cover			
44	1	112400030/0	Pin			
45	1	325785272/0	Micro Protection			
46	1	112728510/0	Screw			
47	1	125600048/0	Empty Micro Grassc.Protection Cover			
48	2	112735110/0	Screw			

Illustration Electrical Parts

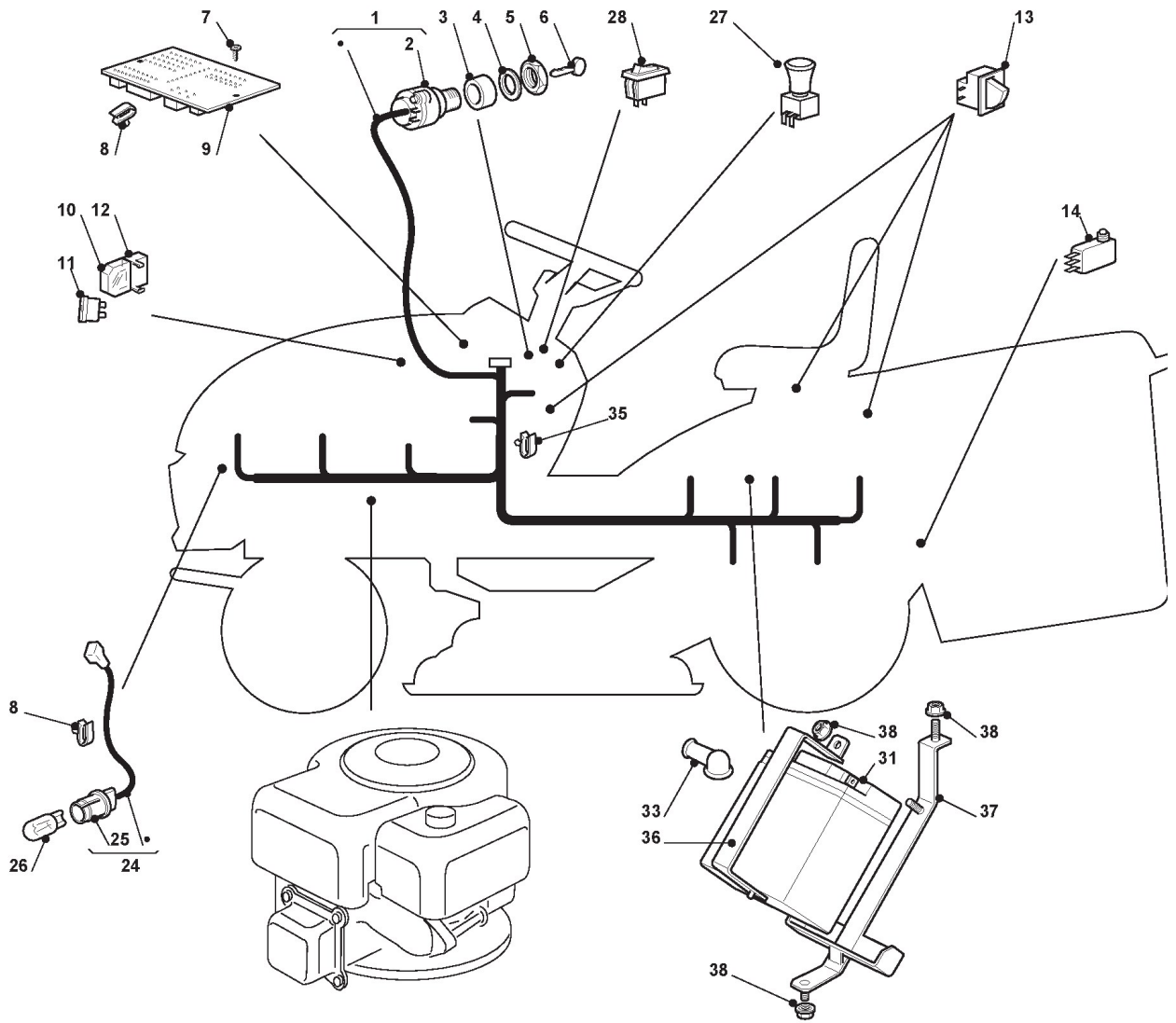


Illustration Electrical Parts

Reference	Qty	Item number	Description	Notes	From	Up to
1	1	182040143/0	Cables Ass.Y	To 31-august-2009		
1	1	182040153/0	Cables Ass.Y	From 01-september-2009		
1	1	182040201/0	Cables Ass.Y - ISO	To 31-august-2014 From 01-september-2014		
2	1	118450072/0	Starting Switch			
3	1	118550136/0	Spacer			
4	1	118550135/0	Washer			
5	1	118400862/0	Ring Nut			
6	1	118210022/0	Starting Key			
7	3	112727810/0	Screw			
8	2	133320506/0	Fairlead			
9	1	125722430/1	Electronic Card (1 Led)	From 01-september-2007		
9	1	125722443/0	Electronic Card (1 Led)	To 31-august-2014 From 01-september-2014		
9	1	25722430/0	Electronic Card (1 Led)	To 31-august-2007		
10	2	133215000/0	Cover			
11	1	133340036/0	Fuse 25 A			
11	1	133340040/0	Fuse 10 A			
12	2	133500007/0	Fuse Carrier			
13	3	119410606/0	Microswitch	To 31-august-2009		
13	3	119410613/0	Microswitch	From 01-september-2010		
13	3	119410615/0	Microswitch	From 01-september-2009		
14	1	119410605/1	Microswitch	To 31-august-2010		
25	2	133500030/0	Lamp Holder			
26	2	118459100/0	Lamp For Lights			
27	1	118450074/0	Clutch Switch			
28	1	118450060/1	Headlight Switch	To 31-august-2016		
28	1	118450060/1LC	Headlight Switch	From 01-september-2016		
31	1	118120002/1	Battery			
33	1	118564861/1	Protection	To 31-august-2017		
33	1	118564861/2	Protection	From 01-september-2017		
35	9	133320506/0	Fairlead			
36	1	327772099/1	Clamp			
37	1	382785191/0	Battery Support			
38	3	112155000/0	Nut			

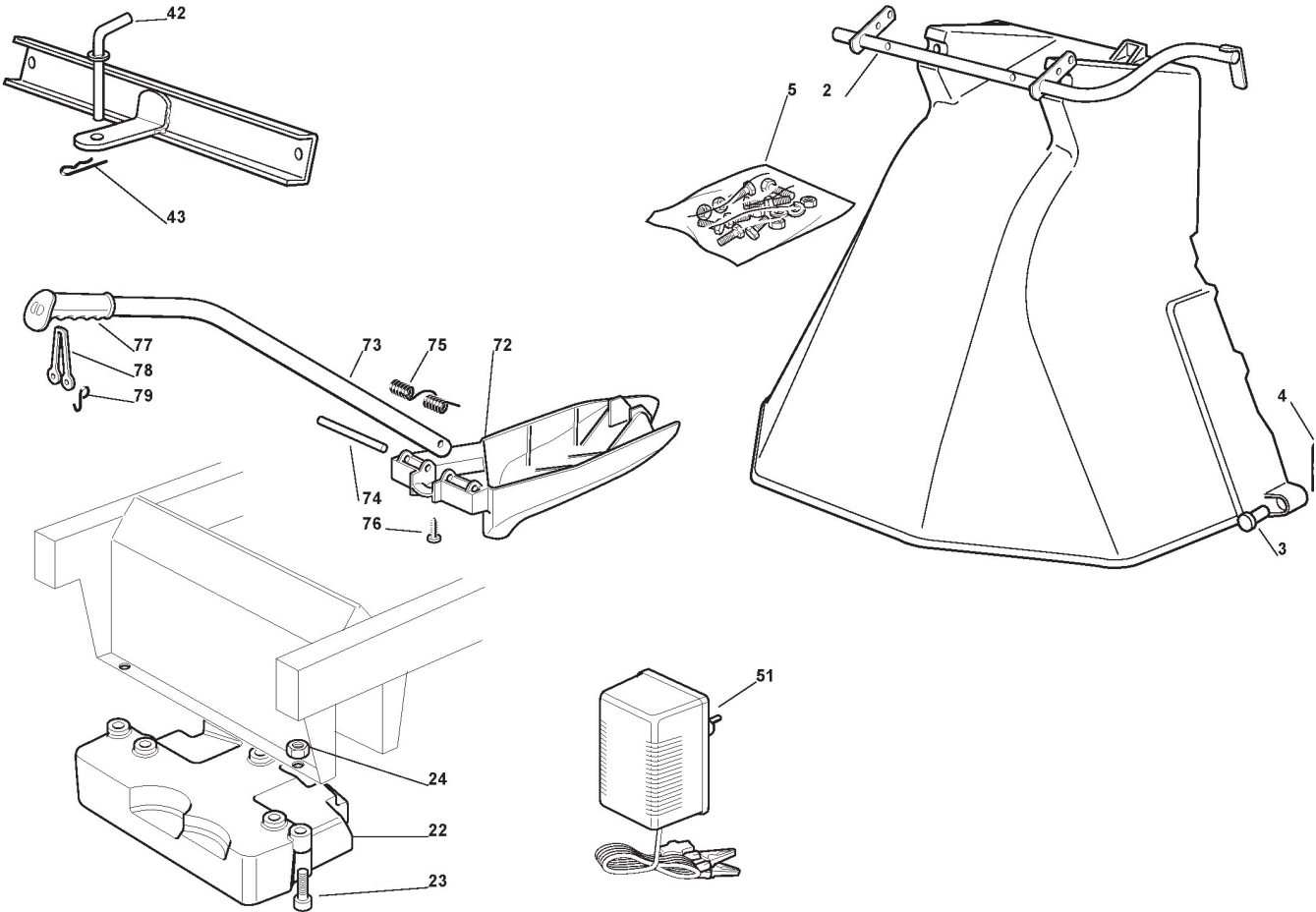


Illustration Optionals On Request

Reference	Qty	Item number	Description	Notes	From	Up to
2	1	382869035/0	Stone Guard Tube			
3	2	125510022/0	Pin	To 31-august-2012		
3	1	125510022/1	Pin	From 01-september-2012		
4	2	124487998/0	Cotter Pin			
5	1	382180062/0	Outfit, Screws			
22	1	125519997/1	Front Weight Tc			
23	3	112760520/0	Screw			
24	3	112155000/0	Nut			
42	1	125510021/1	Hitch Pin			
43	1	124487999/0	Spring Pin			
51	1	182180050/0	Battery Charger	To 31-august-2009		
51	1	182180090/0	Battery Charger 12V 1A - CE Plug	From 01-september-2009		
72	1	325140093/0	Deflector			
73	1	325394007/0	Handle			
74	1	125510077/0	Pin			
75	1	125430245/0	Spring			
76	1	112735410/0	Screw			
77	1	325280000/1	Handgrip			
78	1	125840011/1	Tie Rod			
79	2	125253004/0	Mulch.Kit Fixing Hook			

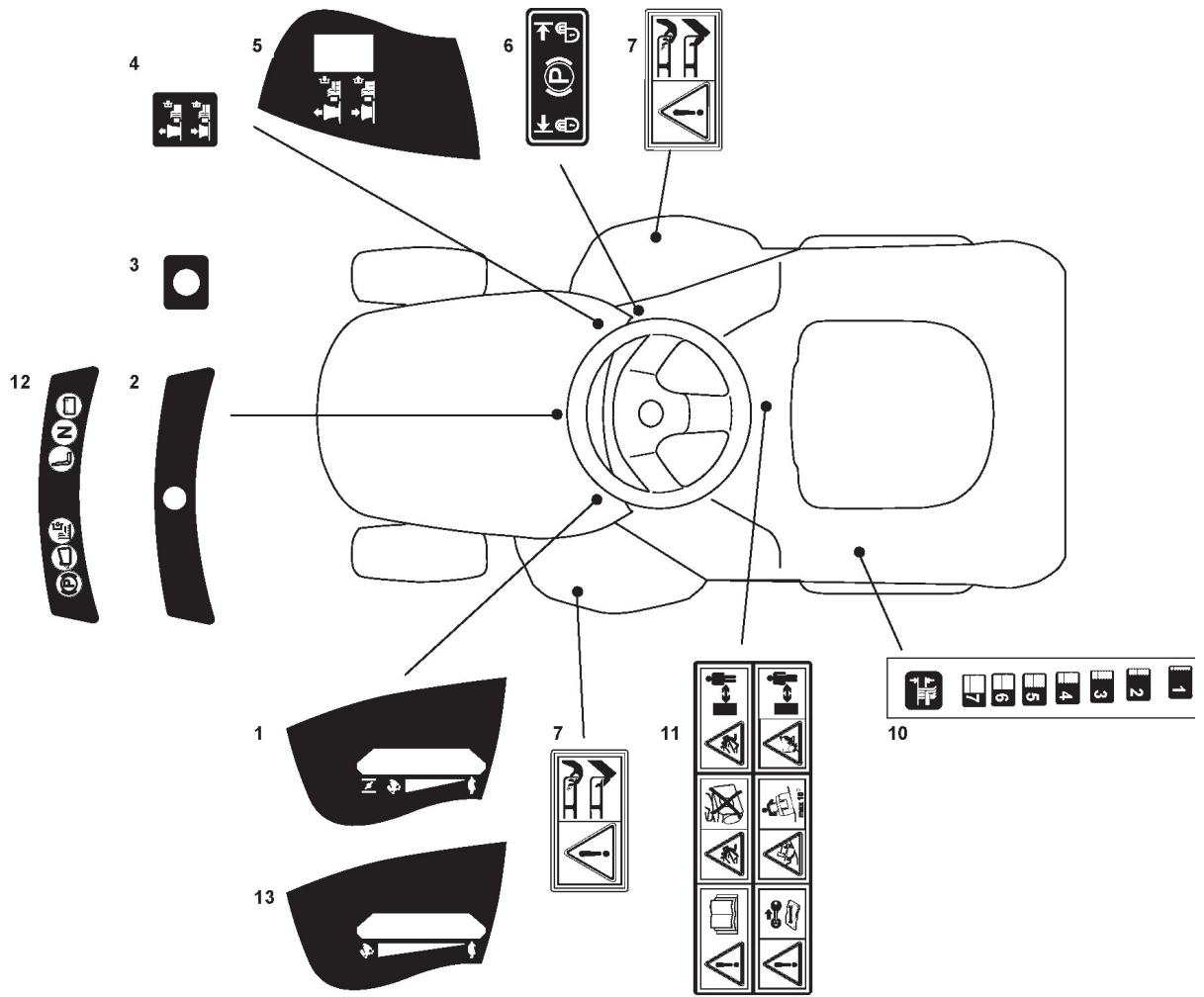


Illustration Labels

Reference	Qty	Item number	Description	Notes	From	Up to
1	1	114361440/0	Label			
2	1	125420019/0	Label	To 31-august-2014		
2	1	125420024/0	Label	From 01-september-2014		
3	1	125420018/0	Label			
4	1	114361438/0	Label			
5	1	114361439/0	Label			
6	1	114361452/0	Label			
7	2	114356699/1	Label			
10	1	114361441/0	Label			
11	1	114361553/1	Label	From 01-september-2009		
11	1	14361553/0	Label	To 31-august-2009		
12	1	125420020/0	Label			
13	1	114364616/0	Label			

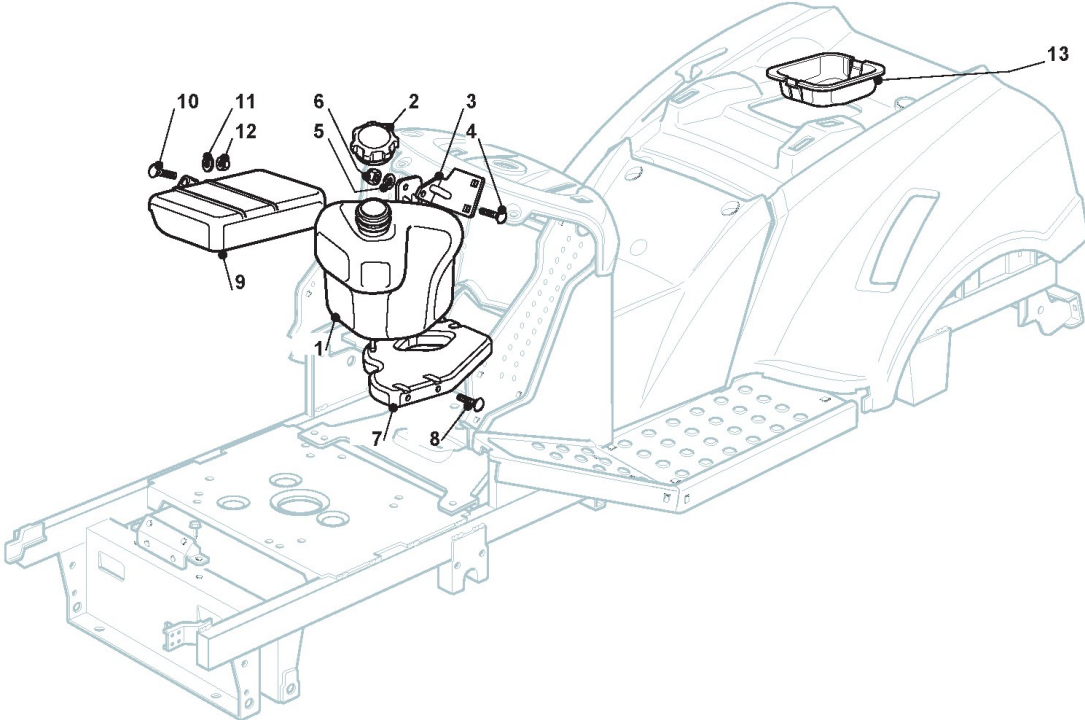


Illustration Tank

Reference	Qty	Item number	Description	Notes	From	Up to
1	1	325735124/0	Fuel Tank			
2	1	125795001/1	Cap			
3	1	325785291/0	Support			
4	1	112789195/0	Screw			
5	1	112581500/0	Grower			
6	1	112437503/0	Plate			
7	1	325785289/0	Support			
8	4	112735403/0	Screw			
9	1	325600075/0	Guard			
10	1	112815240/0	Screw			
11	1	112581500/0	Grower			
12	1	112437503/0	Plate			
13	1	325207176/0	Basin			

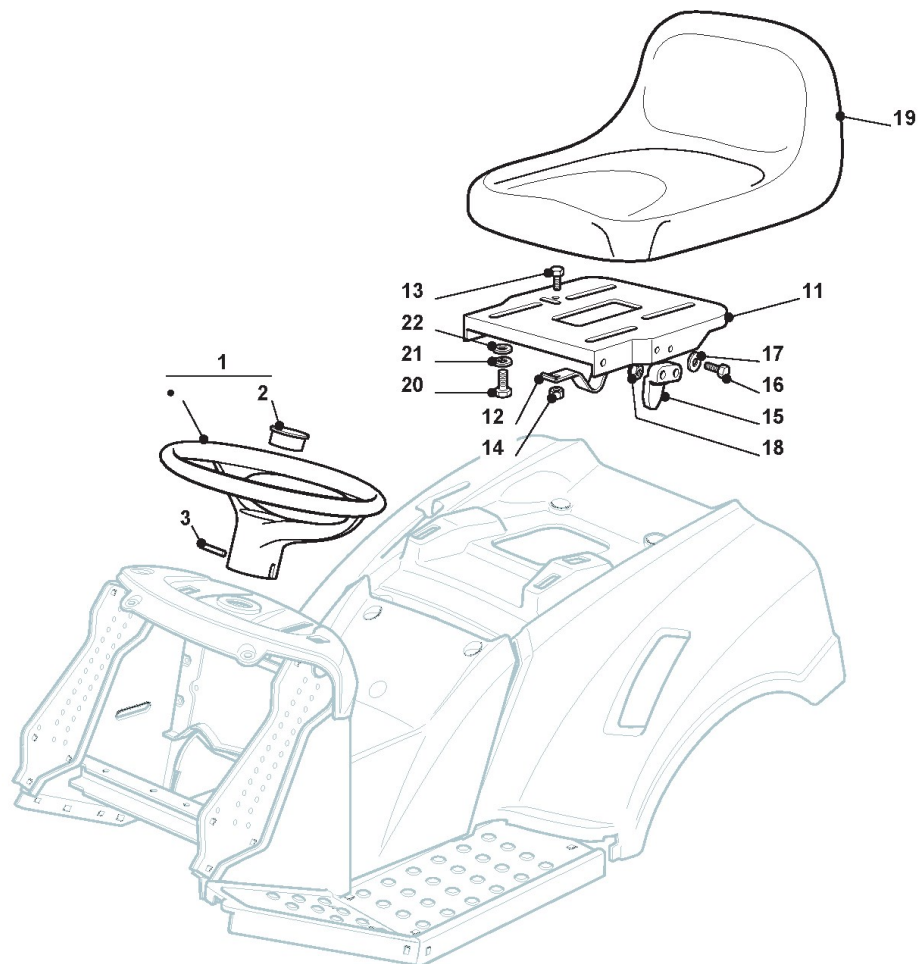


Illustration Seat & Steering Wheel

Reference	Qty	Item number	Description	Notes	From	Up to
1	1	125961201/0	Steering Wheel			
2	1	325120230/0	Cover			
3	1	112620299/0	Elastic Pin			
11	1	325547033/1	Seat Plate			
12	1	125430223/2	Spring			
13	1	112789000/0	Screw			
14	1	112154330/0	Nut			
15	1	327063021/1	Cam			
16	2	112789100/0	Screw			
17	2	112523020/0	Washer			
18	2	112154330/0	Nut			
19	1	125722470/0	Seat			
20	4	112793101/0	Screw			
21	4	112583500/0	Grower			
22	4	112523060/0	Washer			

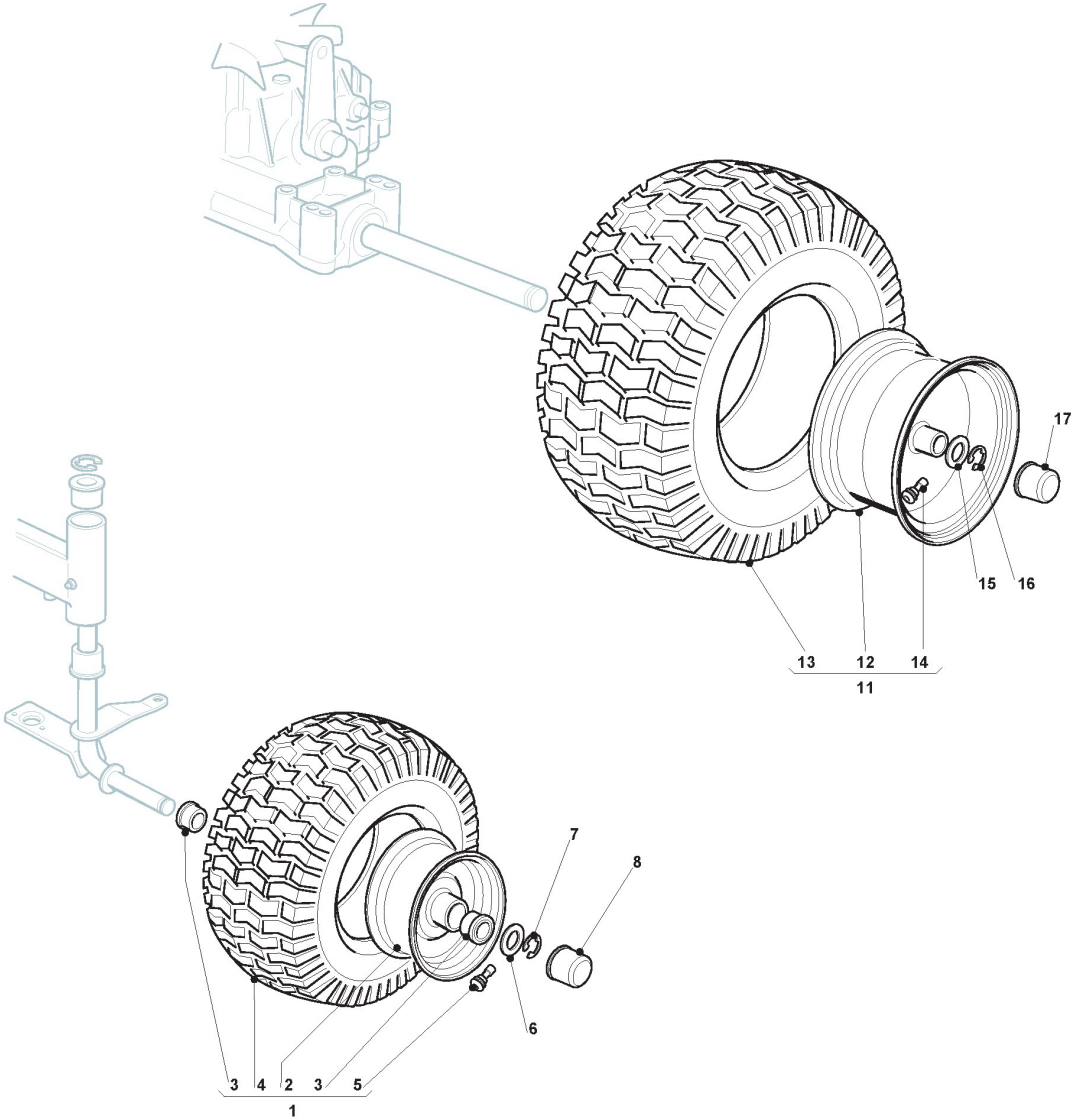


Illustration Wheels

Reference	Qty	Item number	Description	Notes	From	Up to
1	2	382680002/2	Front Wheel	To 31-august-2008		
1	2	382680005/1	Front Wheel			
2	2	182000590/1	Rimm			
3	4	125122200/2	Bearing			
4	2	125590000/0	Front Tyre	To 31-august-2008		
4	2	125590002/0	Shoe Deli Tire 13x5.00-6 PR2 TL S365			
5	2	125950000/0	Valve			
6	2	125670005/1	Washer			
7	2	112001000/0	Benzing Ring			
8	2	122110230/0	Hub Cover			
11	2	382680003/0	Rear Wheel			
11	2	382680006/0	Rear Wheel Assy			
12	2	182000592/0	Rear Wheel Rimm			
13	2	125590001/0	Rear Tyre			
13	2	125590003/0	Shoe Deli Tire 160/50-8			
14	2	125950000/0	Valve			
15	2	125670005/1	Washer			
16	2	112001010/0	Benzing Ring			
17	2	122110230/0	Hub Cover			

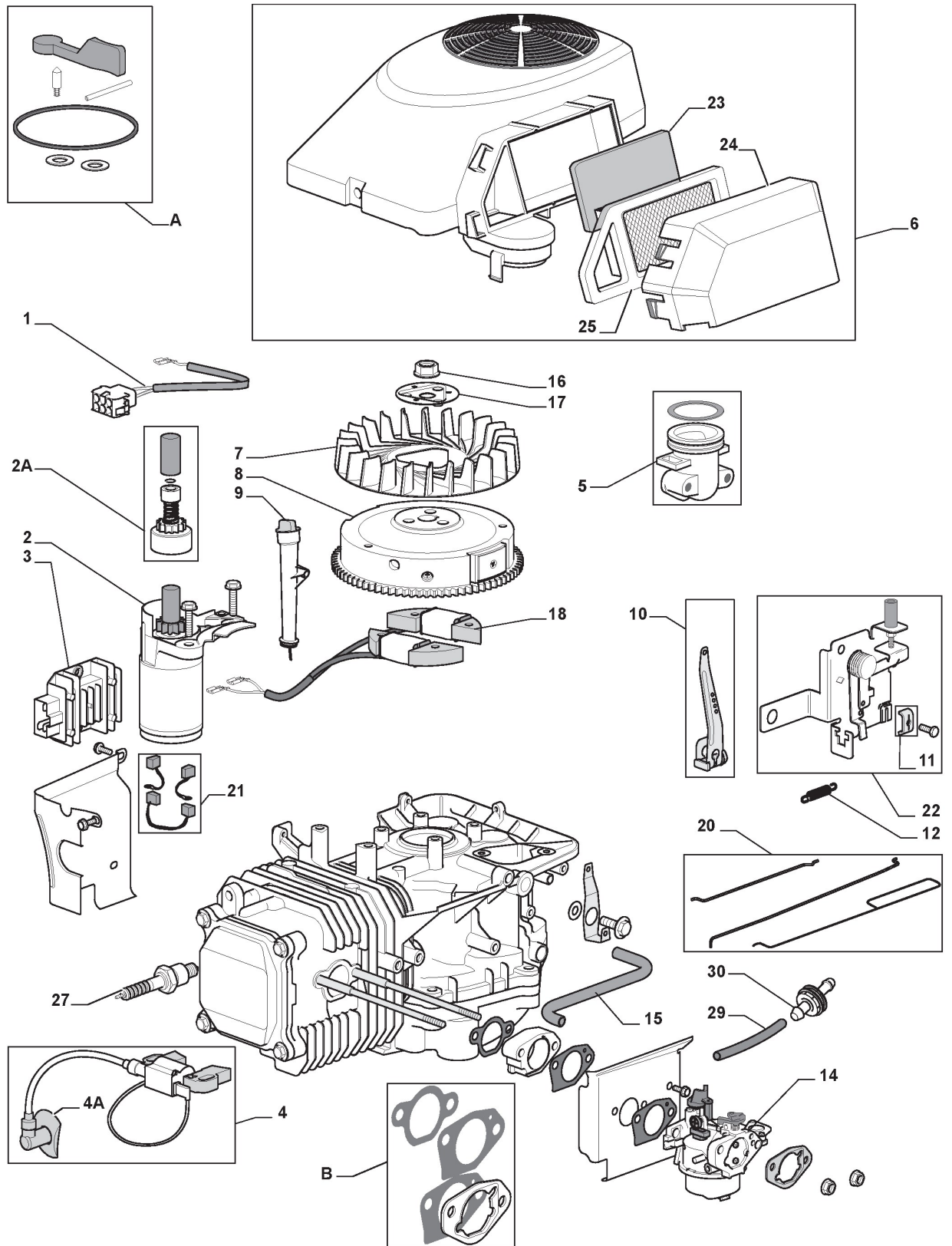


Illustration Engine - GGP TRE0702

Reference	Qty	Item number	Description	Notes	From	Up to
1	1	118550207/0	Output Wire, Rectifier			
2	1	118550214/0	Start Motor Assy			
2	1	118550365/1	Kit Repair			
3	1	118550208/0	Rectfier			
4	1	118550209/0	Electronic Coil			
4	1	118550448/0	Spark Plug Terminal			
5	1	118550320/1	Intake Manifold Assy			
6	1	118550319/0	Cover Assy			
7	1	118550235/0	Flywheel Fan			
8	1	118550234/0	Flywheel Ass.Y			
9	1	118550205/0	Oil Filler Assy			
10	1	118550330/0	Arm Governor Assy			
11	1	118550212/0	Casing Clamp			
12	1	118550213/0	Spring			
14	1	118550323/0	Carburetor			
15	1	118550325/0	Breather Fule Pipe			
16	1	118550237/0	Nut			
17	1	118550236/0	Starter Cup			
18	1	118550210/0	Coil Assy, Charge			
20	1	118550239/0	Governor Rod Assy			
21	1	118550332/0	Brushhold			
22	1	118550331/0	Remote Control Assy			
23	1	118550527/0	Pre-Filter			
24	1	118550322/0	Air Cleaner Cover			
25	1	118550321/0	Air Filter			
27	1	9400-0244-00	Spark Plug			
29	1	118550432/0	Fuel Pipe			
30	1	118550354/1	Fuel Filter			
999	1	118550216/0	Carburator Repair Kit			
999	1	118550217/0	Gasket Set			

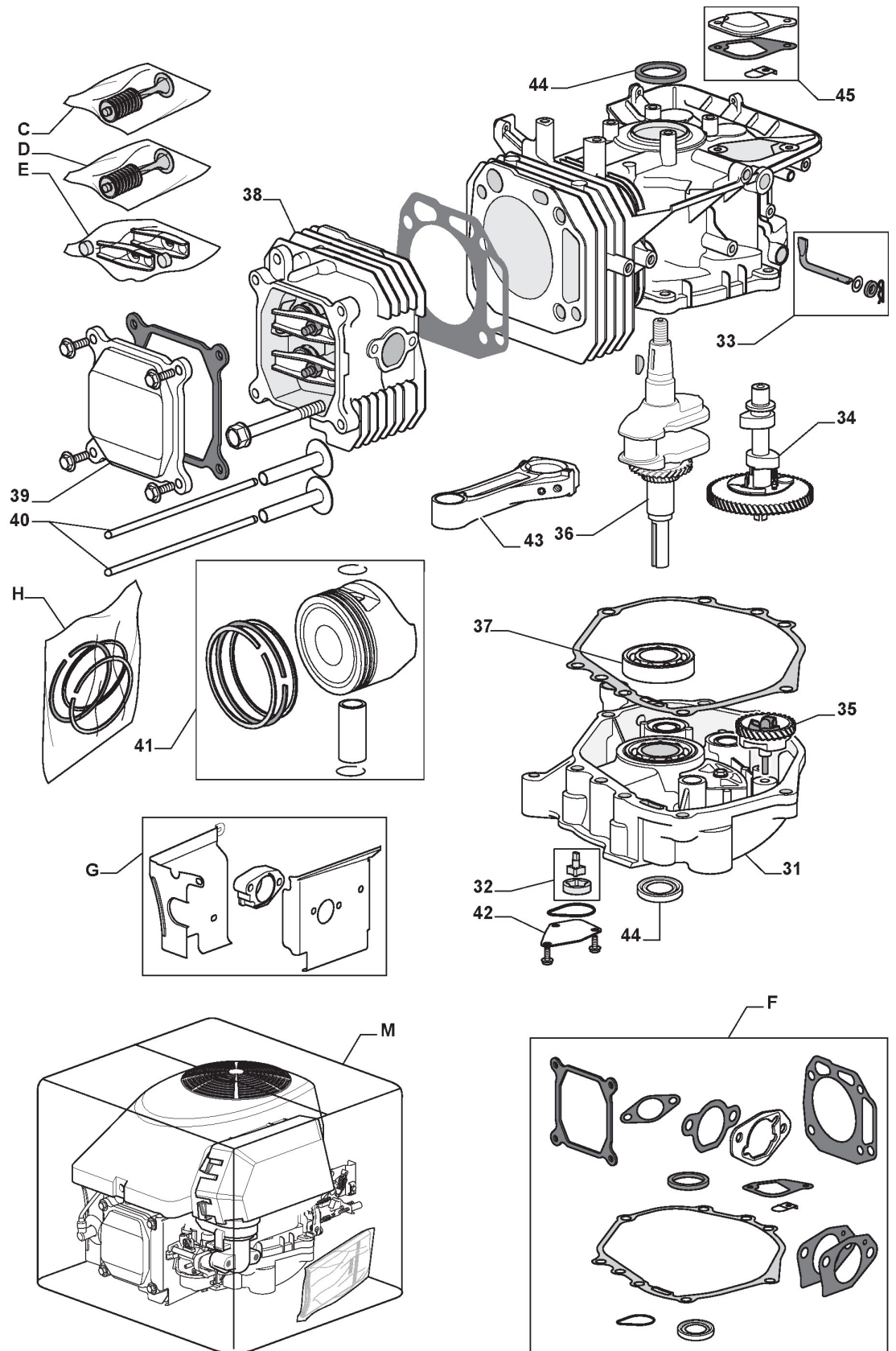


Illustration Engine - GGP TRE0702

Reference	Qty	Item number	Description	Notes	From	Up to
31	1	118550221/0	Crankcase Cover Assy			
32	1	118550224/0	Oil Pump Assy			
33	1	118550226/0	Shaft, Governor Arm Assy			
34	1	118550243/0	Camshaft assy			
35	1	118550347/0	Speed Governor Assy			
36	1	118550232/0	Crankshaft			
37	1	118550227/0	Ball Bearing			
38	1	118550233/0	Cylinder Head Assy			
39	1	118550206/0	Cover Comp., Head			
40	1	118550242/0	Push Rods Assy			
41	1	118550328/0	Piston Assy			
42	1	118550223/0	Oil Pump Cover			
43	1	118550231/0	Connecting Rod Assy			
44	2	118550228/0	Oil Seal			
45	1	118550446/0	Gasket Assy			
999	1	1134-9500-01	Engine Assembled			
999	1	118550220/0	Engine Guard Assy			
999	1	118550240/0	Intake Valve Assy			
999	1	118550241/0	Exhaust Valve Assy			
999	1	118550326/0	Piston, Ring Set			
999	1	118550333/0	Engine Gasket Set			
999	1	118550334/0	Valve Arm Set			

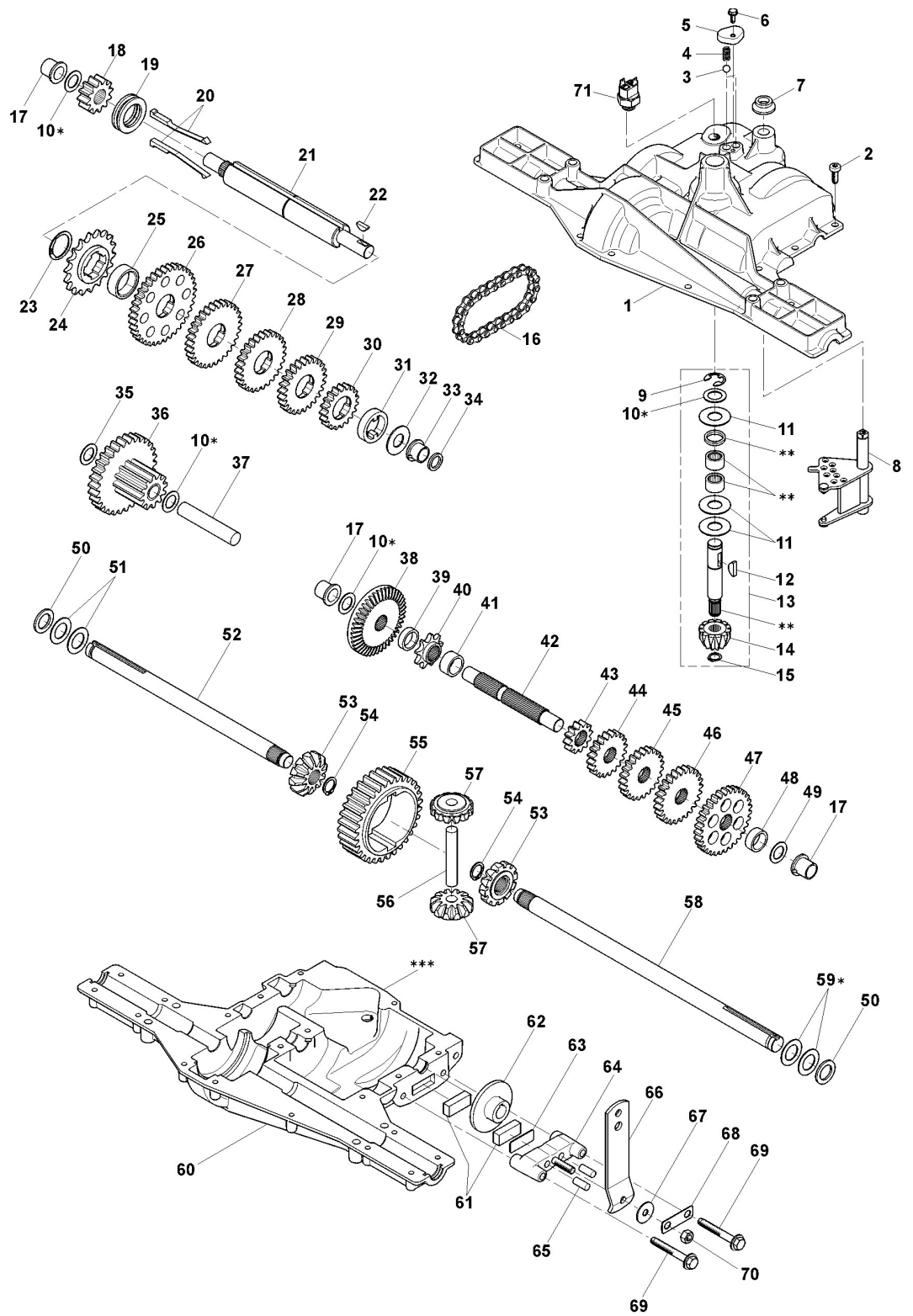


Illustration Transmission

Reference	Qty	Item number	Description	Notes	From	Up to
1	1	F000-5962-AC	Housing, Upper			
2	16	F000-1919-00	Screw			
3	2	F000-5947-00	Detent Ball			
4	2	F000-5948-00	Spring, Detent			
5	1	F000-5950-00	Cover, Detent			
6	1	F084-0052-00	Screw			
7	1	F000-7010-00	V-Ring			
8	1	F000-6517-00	Assy, Kit, Shifter			
9	1	F000-1106-00	Ring, Retaining			
10	4	F000-4689-00	Assy, Kit, Shim, .625 Shaft			
11	3	F000-3876-00	Washer			
12	1	F000-1746-00	Woodruff Key			
13	1	F000-6595-00	Assy, Kit, Input Shaft			
14	1	F000-5620-00	Pinion, Bevel, 12T			
15	1	F000-3624-00	Ring, Retaining			
16	1	F000-3625-00	Chain, 24 Pitches			
17	3	F000-5510-00	Bearing, Flange			
18	1	F000-5627-00	Gear, Spur, 12T			
19	1	F000-5303-00	Collar, Clutch			
20	1	F000-4758-00	Assy, Kit, Clutch Keys			
21	1	F000-5737-00	Shaft, Intermediate			
22	1	F000-1375-00	Woodruff Key			
23	1	F000-3627-00	Ring, Retaining			
24	1	F000-3830-00	Sprocket, 18T			
25	1	F000-3841-00	Spacer			
26	1	F000-5365-00	Gear, Spur, 37T			
27	1	F000-3867-00	Gear, Spur 30T			
28	1	F000-5014-00	Gear, Spur, 27T			
29	1	F000-3783-00	Gear, Spur 25T			
30	1	F000-5202-00	Gear, Spur, 19T			
31	1	F000-5027-00	Spacer			
32	1	F000-3628-00	Washer			
33	1	F000-5511-00	Bearing, Flange			
34	1	F000-5508-00	Seal, Oil			
35	1	F000-1425-00	Washer			
36	1	F000-6358-00	Assy, Gear, Comb., 12T & 30T			
37	1	F000-3967-00	Shaft, Idler			
38	1	F000-7003-00	Gear, Bevel, 36T			
39	1	F000-3630-00	Spacer			
40	1	F000-3645-00	Sprocket, 9T			
41	1	F000-5016-00	Spacer			
42	1	F000-5015-00	Drive Shaft			
43	1	F000-5364-00	Gear, Spur, 12T			
44	1	F000-3866-00	Gear, Spur 20T			
45	1	F000-5013-00	Gear, Spur, 23T			

Illustration Transmission

Reference	Qty	Item number	Description	Notes	From	Up to
46	1	F000-3719-00	Gear, Spur, 25T			
47	1	F000-3683-00	Gear, Spur, 31T			
48	1	F000-3714-00	Spacer			
49	1	F000-1145-00	Washer			
50	2	F000-5130-00	Washer			
51	2	F000-3184-00	Washer			
52	1	F000-7070-10	Wheel Axle, Left			
53	2	F000-5622-00	Gear, Miter, 12T, Splined			
54	2	F000-5270-00	Ring, Retaining			
55	1	F000-3839-00	Gear, Spur, 32T			
56	1	F000-3919-00	Shaft, Cross			
57	2	F000-5623-00	Gear, Miter, 12T, Idler			
58	1	F000-7070-20	Wheel Axle, Right			
59	1	F000-4691-00	Assy, Kit, Shim, .750 Shaft			
60	1	F000-5304-R0	Housing, Lower			
61	2	F000-7109-00	Puck, Friction			
62	1	F000-5960-00	Disc, Brake			
63	1	F000-3758-00	Spacer			
64	1	F000-5554-00	Jaw, Brake			
65	2	F000-3843-00	Dowel			
66	1	F000-7026-00	Lever, Actuating			
67	1	F000-3760-00	Washer			
68	1	F000-5555-00	Bracket, Anti-Rotation			
69	2	F000-5562-00	Screw			
70	1	F000-3847-00	Nut			
71	1	119410610/0	Micro Lever			