

## ESTATE BASIC (2008) [13-2570-13]

### Technical information

|                |              |
|----------------|--------------|
| Article number | 13-2570-13   |
| Season         | 2007-2008    |
| Brand Code     | Stiga        |
| Product Name   | ESTATE BASIC |
| SubCategory    | Ride-on 98   |
| Type           | Machine      |

### Documents

Chassis

Body

Steering 13"

Brake And Gearbox Controls

Engine - GGP

Transmission

Cutting Plate Lifting

Guards And Conveyor

Cutting Plate

Electrical Parts

Optionals On Request

Labels

Tank

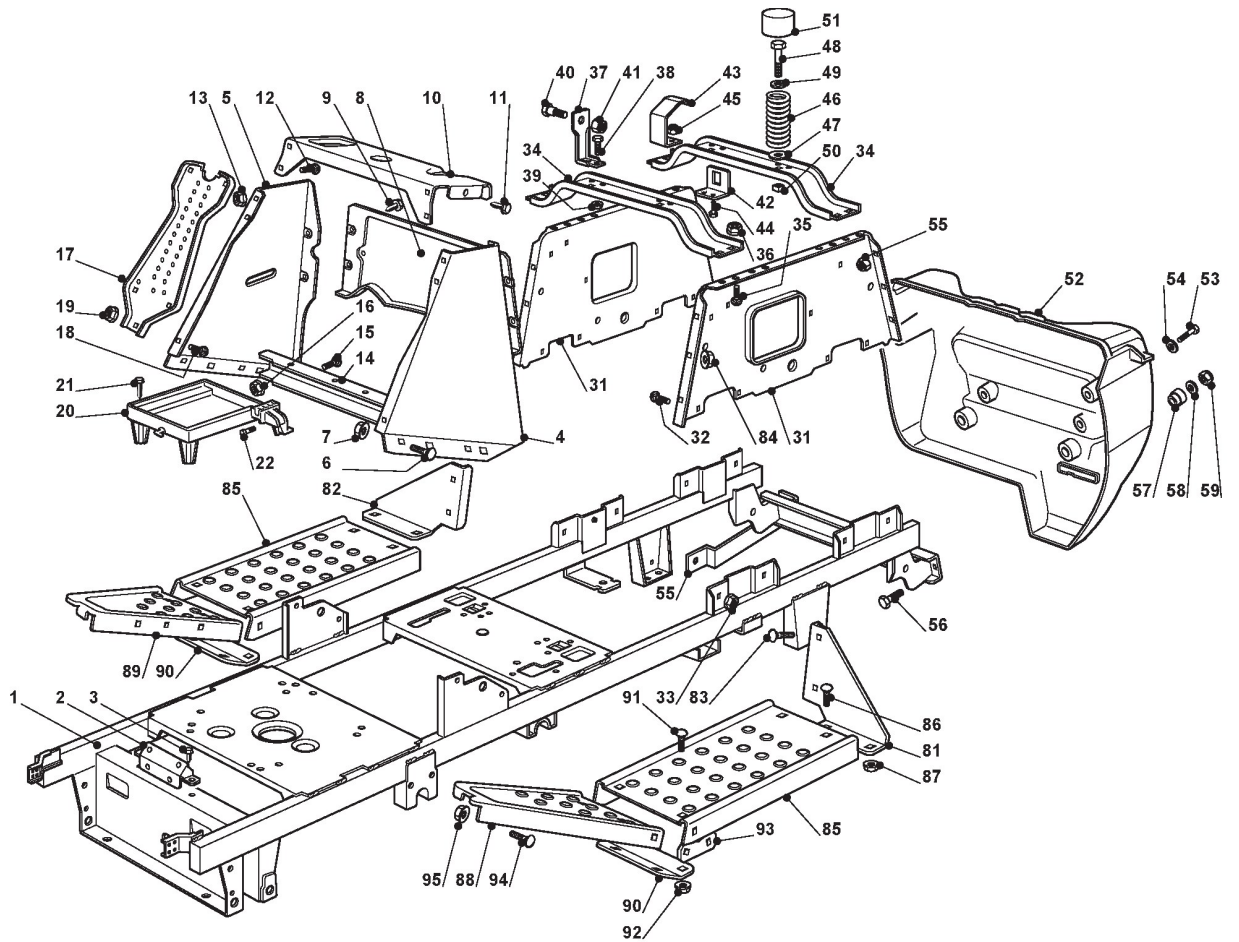
Seat & Steering Wheel

Wheels

Transmission

Engine - GGP TRE0701

Engine - GGP TRE0701



## Illustration Chassis

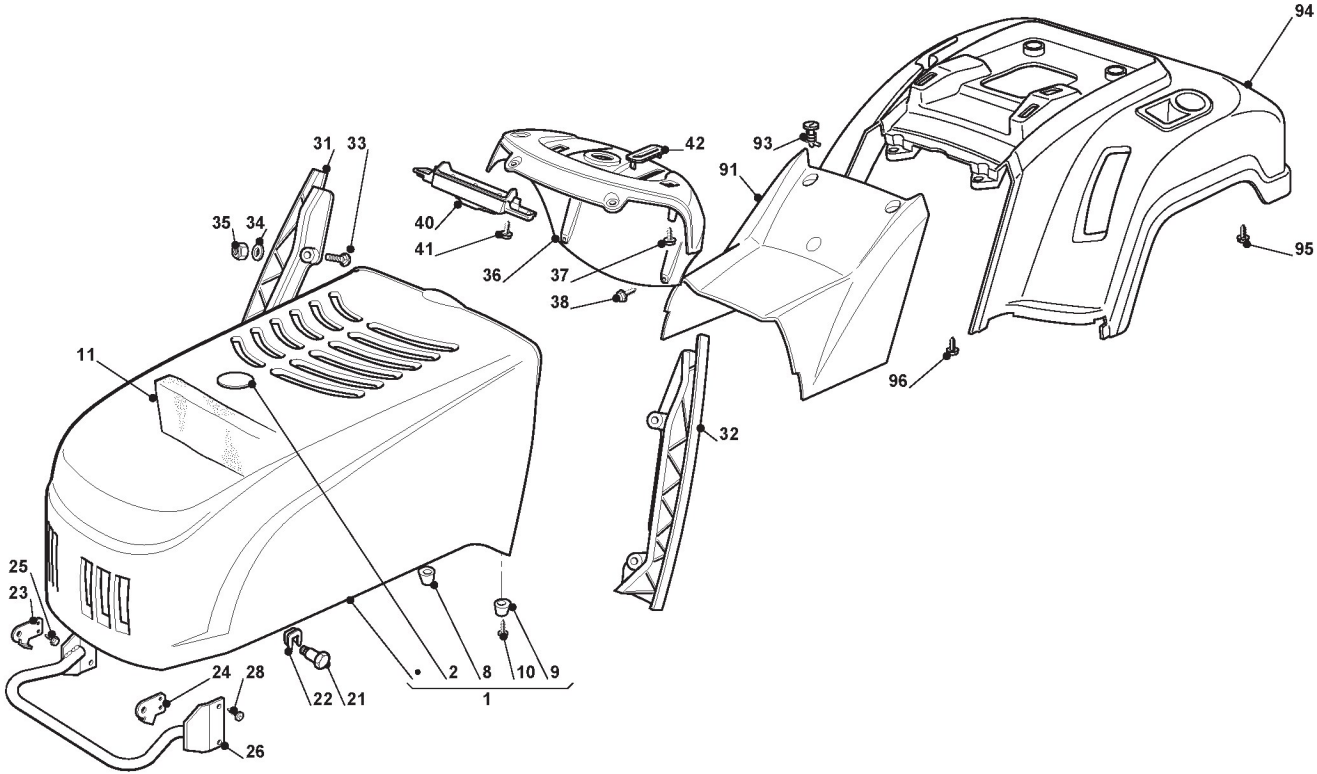
| Reference | Qty | Item number | Description               | Notes | From | Up to |
|-----------|-----|-------------|---------------------------|-------|------|-------|
| 1         | 1   | 82800095/0  | Chassis                   |       |      |       |
| 2         | 1   | 382774253/0 | Clamp                     |       |      |       |
| 3         | 4   | 112735121/0 | Screw                     |       |      |       |
| 4         | 1   | 325785243/1 | Left Dashboard Support    |       |      |       |
| 5         | 1   | 325785245/0 | Right Dashboard Support   |       |      |       |
| 6         | 4   | 112818690/0 | Screw                     |       |      |       |
| 7         | 4   | 112293201/0 | Nut                       |       |      |       |
| 8         | 1   | 382785151/1 | Rear Dashboard Support    |       |      |       |
| 9         | 4   | 112735110/0 | Screw                     |       |      |       |
| 10        | 1   | 325785255/0 | Central Dashboard Support |       |      |       |
| 11        | 2   | 112735110/0 | Screw                     |       |      |       |
| 12        | 4   | 112815200/0 | Screw                     |       |      |       |
| 13        | 4   | 112292102/0 | Nut                       |       |      |       |
| 14        | 1   | 325785241/0 | Support                   |       |      |       |
| 15        | 2   | 112815200/0 | Screw                     |       |      |       |
| 16        | 2   | 112292102/0 | Nut                       |       |      |       |
| 17        | 2   | 82785153/0  | Front Dashboard Support   |       |      |       |
| 18        | 2   | 112815200/0 | Screw                     |       |      |       |
| 19        | 2   | 112292102/0 | Nut                       |       |      |       |
| 20        | 1   | 25785279/0  | Battery Support           |       |      |       |
| 20        | 1   | 325785279/1 | Battery Support           |       |      |       |
| 21        | 4   | 112760490/0 | Screw                     |       |      |       |
| 22        | 1   | 125510099/0 | Pin                       |       |      |       |
| 31        | 2   | 25785249/0  | Seat Support              |       |      |       |
| 32        | 8   | 112815200/0 | Screw                     |       |      |       |
| 33        | 8   | 112292102/0 | Nut                       |       |      |       |
| 34        | 2   | 25785257/0  | Seat Support              |       |      |       |
| 35        | 8   | 112818690/0 | Screw                     |       |      |       |
| 36        | 8   | 112293201/0 | Nut                       |       |      |       |
| 37        | 2   | 325755039/0 | Bracket                   |       |      |       |
| 38        | 4   | 112792611/0 | Screw                     |       |      |       |
| 39        | 4   | 112293201/0 | Nut                       |       |      |       |
| 40        | 2   | 122524970/2 | Fulcrum Pin               |       |      |       |
| 41        | 2   | 112155010/0 | Nut                       |       |      |       |
| 42        | 1   | 325755043/0 | Bracket                   |       |      |       |
| 43        | 1   | 325430253/0 | Spring                    |       |      |       |
| 44        | 2   | 112789000/0 | Screw                     |       |      |       |
| 45        | 2   | 112154330/0 | Nut                       |       |      |       |
| 46        | 2   | 25430257/0  | Spring                    |       |      |       |
| 47        | 2   | 112523070/0 | Washer                    |       |      |       |
| 48        | 2   | 112760515/0 | Screw                     |       |      |       |
| 49        | 2   | 122671653/0 | Washer                    |       |      |       |
| 50        | 2   | 112360425/0 | Nut                       |       |      |       |
| 51        | 2   | 325122000/2 | Cap                       |       |      |       |
| 52        | 1   | 325547187/0 | Plate                     |       |      |       |

## Illustration Chassis

---

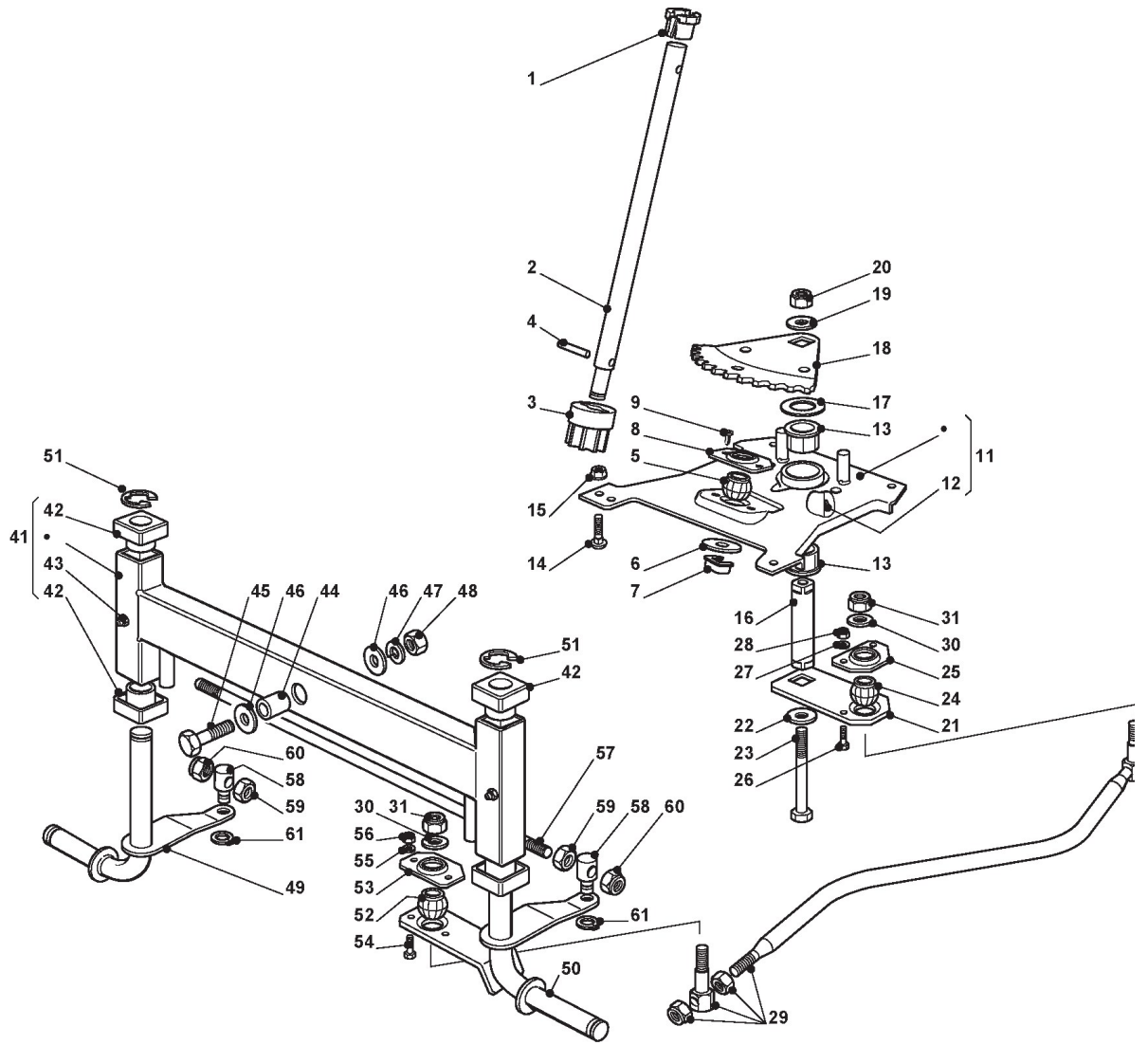
| Reference | Qty | Item number | Description             | Notes | From                   | Up to             |
|-----------|-----|-------------|-------------------------|-------|------------------------|-------------------|
| 53        | 2   | 112793301/0 | Screw                   |       |                        |                   |
| 54        | 2   | 112521350/0 | Washer                  |       |                        |                   |
| 55        | 2   | 112155000/0 | Nut                     |       |                        |                   |
| 56        | 2   | 112819280/0 | Screw                   |       |                        |                   |
| 57        | 2   | 125160037/0 | Spacer                  |       |                        |                   |
| 58        | 2   | 112521360/0 | Washer                  |       |                        |                   |
| 59        | 2   | 112156602/0 | Nut                     |       |                        |                   |
| 81        | 1   | 325774371/0 | Footboard Support       |       |                        |                   |
| 82        | 1   | 325774369/0 | Footboard Support       |       |                        |                   |
| 83        | 4   | 112792611/0 | Screw                   |       | From 01-september-2008 |                   |
| 83        | 4   | 112818690/0 | Screw                   |       | From 01-september-2006 | To 31-august-2008 |
| 84        | 4   | 112293201/0 | Nut                     |       |                        |                   |
| 85        | 2   | 25500035/0  | Footboard Support       |       |                        |                   |
| 86        | 4   | 112792611/0 | Screw                   |       | From 01-september-2008 |                   |
| 86        | 4   | 112818690/0 | Screw                   |       | From 01-september-2006 | To 31-august-2008 |
| 87        | 4   | 112292102/0 | Nut                     |       |                        |                   |
| 88        | 1   | 25500033/0  | Left Footboard Support  |       |                        |                   |
| 89        | 1   | 25500031/0  | Right Footboard Support |       |                        |                   |
| 90        | 2   | 25774375/0  | Clamp                   |       |                        |                   |
| 91        | 12  | 112815205/0 | Screw                   |       |                        |                   |
| 92        | 12  | 112293201/0 | Nut                     |       |                        |                   |
| 93        | 2   | 325774351/0 | Clamp                   |       |                        |                   |
| 94        | 4   | 112815200/0 | Screw                   |       |                        |                   |
| 95        | 4   | 112293201/0 | Nut                     |       |                        |                   |





## Illustration Body

| Reference | Qty | Item number | Description              | Notes                                       | From | Up to |
|-----------|-----|-------------|--------------------------|---|------|-------|
| 1         | 1   | 382076935/0 | Engine Hood Yellow       |   |      |       |
| 2         | 1   | 125547105/0 | Yellow Injection Plate   |   |      |       |
| 8         | 1   | 125580012/0 | Right Pin                |   |      |       |
| 9         | 1   | 125580013/0 | Left Pin                 |   |      |       |
| 10        | 2   | 112727356/0 | Screw                    |   |      |       |
| 11        | 1   | 125730005/1 | Intake Separator         |   |      |       |
| 21        | 2   | 125510045/0 | Stud                     |   |      |       |
| 22        | 2   | 112436050/0 | Plate                    |   |      |       |
| 23        | 1   | 325547089/0 | Plate                    |   |      |       |
| 24        | 1   | 325547091/0 | Plate                    |   |      |       |
| 25        | 4   | 112731580/0 | Screw                    |   |      |       |
| 26        | 1   | 382869031/0 | Muffler Protection       |   |      |       |
| 28        | 4   | 112734995/0 | Screw                    |   |      |       |
| 31        | 1   | 325599010/0 | Dashboard, Right Profile |   |      |       |
| 32        | 1   | 325599011/0 | Left Dashboard Support   |   |      |       |
| 33        | 4   | 112815221/0 | Screw                    |   |      |       |
| 34        | 4   | 112521330/0 | Washer                   |   |      |       |
| 35        | 4   | 112154510/0 | Nut                      |   |      |       |
| 36        | 1   | 325120189/0 | Dashboard                |   |      |       |
| 37        | 2   | 112728440/0 | Screw                    |   |      |       |
| 38        | 2   | 112735402/0 | Screw                    |   |      |       |
| 40        | 1   | 325600074/0 | Card Protection          |   |      |       |
| 41        | 2   | 112735402/0 | Screw                    |   |      |       |
| 42        | 1   | 325547181/0 | Plate                    |   |      |       |
| 91        | 1   | 325110325/0 | Central Cover, Yellow    | From 01-september-2006<br>To 31-august-2009 |      |       |
| 93        | 2   | 125580020/0 | Belt Guide Peg           |   |      |       |
| 94        | 1   | 325110367/0 | Yellow Wheels Cover      |   |      |       |
| 95        | 2   | 112735403/0 | Screw                    |   |      |       |
| 96        | 2   | 112735402/0 | Screw                    |   |      |       |



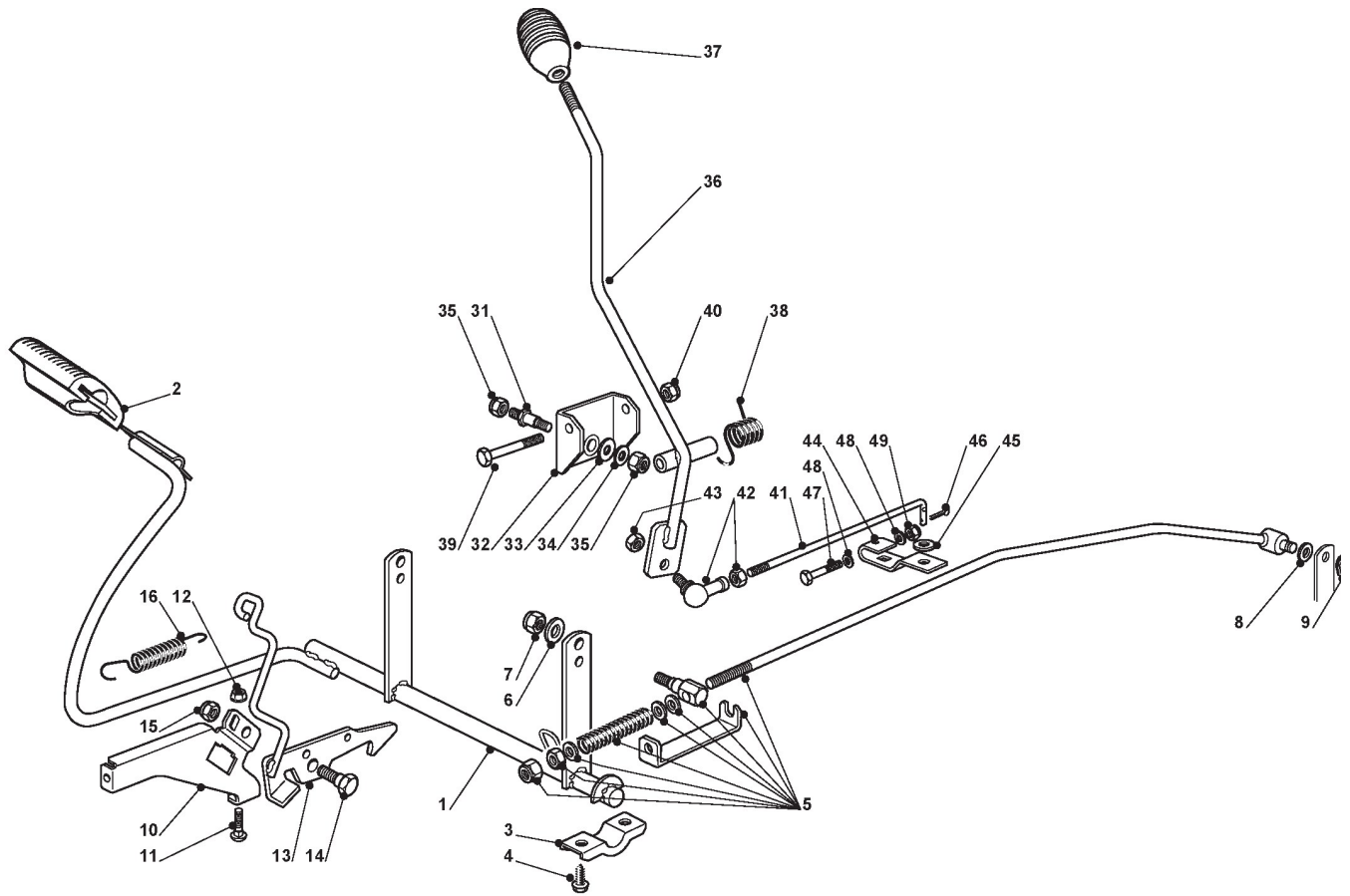
## Illustration Steering 13"

| Reference | Qty | Item number | Description                        | Notes                  | From | Up to |
|-----------|-----|-------------|------------------------------------|------------------------|------|-------|
| 1         | 1   | 325038004/0 | Bushing                            |                        |      |       |
| 2         | 1   | 25520006/0  | Steering Column                    |                        |      |       |
| 3         | 1   | 127570050/0 | Pinion                             |                        |      |       |
| 4         | 1   | 112622650/0 | Dowel pin                          |                        |      |       |
| 5         | 1   | 325743000/0 | Joint                              |                        |      |       |
| 6         | 1   | 112521370/0 | Washer                             |                        |      |       |
| 7         | 1   | 112436030/0 | Plate                              |                        |      |       |
| 8         | 1   | 325785213/0 | Teering Joint Support              |                        |      |       |
| 9         | 2   | 112729601/1 | Screw                              | From 01-september-2003 |      |       |
| 9         | 2   | 12729601/0  | Screw                              | To 31-august-2003      |      |       |
| 11        | 1   | 382547045/0 | Support                            |                        |      |       |
| 12        | 1   | 112379511/0 | Grease Dispenser                   |                        |      |       |
| 13        | 2   | 325040624/0 | Bushing                            |                        |      |       |
| 14        | 4   | 112815200/0 | Screw                              |                        |      |       |
| 15        | 4   | 112292102/0 | Nut                                |                        |      |       |
| 16        | 1   | 125510092/0 | Pin                                |                        |      |       |
| 17        | 1   | 125670019/0 | Washer                             |                        |      |       |
| 18        | 1   | 325735513/0 | Steering Sector                    |                        |      |       |
| 19        | 1   | 112523080/0 | Washer                             |                        |      |       |
| 20        | 1   | 112155020/0 | Nut                                |                        |      |       |
| 21        | 1   | 325318205/0 | Lever                              |                        |      |       |
| 22        | 1   | 112523080/0 | Washer                             |                        |      |       |
| 23        | 1   | 112794985/0 | Screw                              |                        |      |       |
| 24        | 1   | 325743000/0 | Joint                              |                        |      |       |
| 25        | 1   | 325785213/0 | Teering Joint Support              |                        |      |       |
| 26        | 2   | 112791213/1 | Screw                              | From 01-september-2003 |      |       |
| 26        | 2   | 12791213/0  | Screw                              | To 31-august-2003      |      |       |
| 27        | 2   | 112521330/0 | Washer                             |                        |      |       |
| 28        | 2   | 112154510/0 | Nut                                |                        |      |       |
| 29        | 1   | 382000538/1 | Steering Rod                       |                        |      |       |
| 30        | 2   | 112523070/0 | Washer                             |                        |      |       |
| 31        | 2   | 112155010/0 | Nut                                |                        |      |       |
| 41        | 1   | 382034021/1 | Equalizer With Bush And Lubricator |                        |      |       |
| 42        | 4   | 325040622/0 | Bushing                            |                        |      |       |
| 43        | 2   | 112379511/0 | Grease Dispenser                   |                        |      |       |
| 44        | 1   | 125160016/0 | Spacer                             |                        |      |       |
| 45        | 1   | 112692695/0 | Screw                              |                        |      |       |
| 46        | 2   | 112523100/0 | Washer                             |                        |      |       |
| 47        | 1   | 112587100/0 | Grower                             |                        |      |       |
| 48        | 1   | 112295300/0 | Nut                                |                        |      |       |
| 49        | 1   | 382230363/0 | Right Stub Axle                    |                        |      |       |
| 50        | 1   | 382230365/0 | Left Stub Axle                     |                        |      |       |
| 51        | 2   | 112001000/0 | Benzing Ring                       |                        |      |       |
| 52        | 1   | 325743000/0 | Joint                              |                        |      |       |
| 53        | 1   | 325785213/0 | Teering Joint Support              |                        |      |       |

## Illustration Steering 13"

---

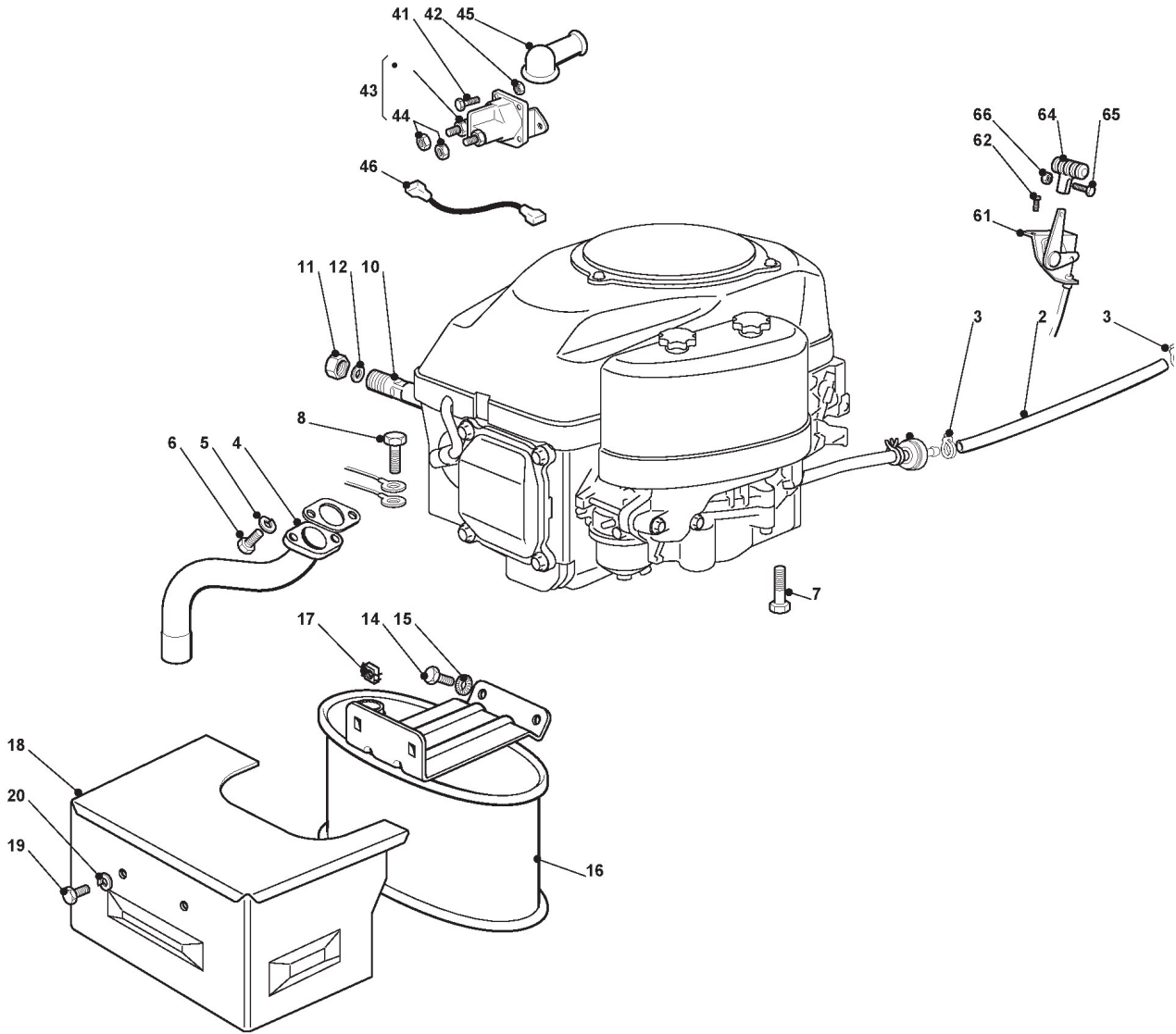
| Reference | Qty | Item number | Description  | Notes                  | From | Up to |
|-----------|-----|-------------|--------------|------------------------|------|-------|
| 54        | 2   | 112791213/1 | Screw        |                        |      |       |
| 54        | 2   | 12791213/0  | Screw        | From 01-september-2003 |      |       |
| 55        | 2   | 112521330/0 | Washer       | To 31-august-2003      |      |       |
| 56        | 2   | 112154510/0 | Nut          |                        |      |       |
| 57        | 1   | 125840022/0 | Tie Rod      |                        |      |       |
| 58        | 2   | 125510096/0 | Pin          |                        |      |       |
| 59        | 2   | 112295200/0 | Nut          |                        |      |       |
| 60        | 2   | 112156602/0 | Nut          |                        |      |       |
| 61        | 2   | 112000956/0 | Benzing Ring |                        |      |       |



## Illustration Brake And Gearbox Controls

---

| Reference | Qty | Item number | Description         | Notes | From                   | Up to |
|-----------|-----|-------------|---------------------|-------|------------------------|-------|
| 1         | 1   | 382500027/1 | Pedal               |       | From 01-september-2007 |       |
| 1         | 1   | 82500027/0  | Pedal               |       | From 01-september-2006 |       |
| 2         | 1   | 125110269/0 | Clamp Cover         |       | To 31-august-2007      |       |
| 3         | 2   | 327546015/1 | Plate               |       |                        |       |
| 4         | 4   | 112729601/1 | Screw               |       | From 01-september-2003 |       |
| 4         | 4   | 12729601/0  | Screw               |       | To 31-august-2003      |       |
| 6         | 1   | 112523040/0 | Washer              |       |                        |       |
| 7         | 1   | 112154510/0 | Nut                 |       |                        |       |
| 8         | 1   | 112521350/0 | Washer              |       |                        |       |
| 9         | 1   | 112436050/0 | Plate               |       |                        |       |
| 10        | 1   | 325785261/0 | Support             |       |                        |       |
| 11        | 2   | 112815200/0 | Screw               |       |                        |       |
| 12        | 2   | 112292102/0 | Nut                 |       |                        |       |
| 13        | 1   | 382000531/0 | Rod                 |       |                        |       |
| 14        | 1   | 122524970/2 | Fulcrum Pin         |       |                        |       |
| 15        | 1   | 112155000/0 | Nut                 |       |                        |       |
| 16        | 1   | 125430213/0 | Spring              |       |                        |       |
| 31        | 1   | 125510035/0 | Pin                 |       |                        |       |
| 32        | 1   | 382774247/0 | Clamp               |       |                        |       |
| 33        | 1   | 322672152/0 | Antifriction Washer |       |                        |       |
| 34        | 1   | 112523060/0 | Washer              |       |                        |       |
| 35        | 2   | 112155010/0 | Nut                 |       |                        |       |
| 36        | 1   | 382318215/0 | Gearshift           |       |                        |       |
| 37        | 1   | 125394510/0 | Knob                |       |                        |       |
| 38        | 1   | 125430258/0 | Spring              |       |                        |       |
| 39        | 1   | 112692050/0 | Screw               |       |                        |       |
| 40        | 1   | 112155000/0 | Nut                 |       |                        |       |
| 42        | 1   | 122746601/0 | Joint               |       |                        |       |
| 43        | 1   | 112155000/0 | Nut                 |       |                        |       |
| 44        | 1   | 325318128/0 | Gearshift           |       |                        |       |
| 45        | 1   | 112521340/0 | Washer              |       |                        |       |
| 46        | 1   | 112141418/0 | Cotter Pin          |       |                        |       |
| 47        | 1   | 112689500/0 | Screw               |       |                        |       |
| 48        | 2   | 112521330/0 | Washer              |       |                        |       |
| 49        | 1   | 112154510/0 | Nut                 |       |                        |       |

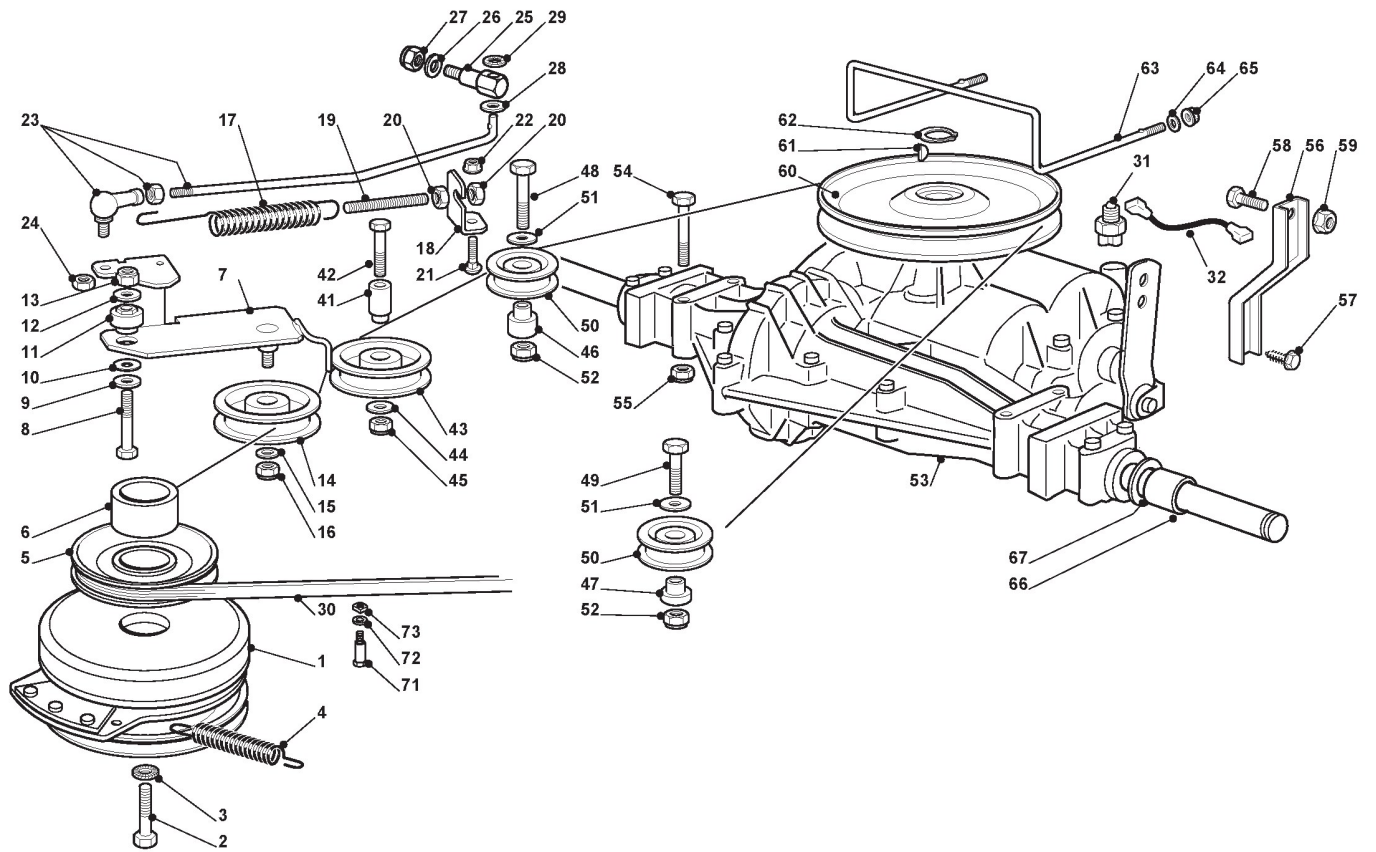




## Illustration Engine - GGP

---

| Reference | Qty | Item number | Description             | Notes                  | From | Up to |
|-----------|-----|-------------|-------------------------|------------------------|------|-------|
| 2         | 1   | 325869057/0 | Connecting Tube         |                        |      |       |
| 3         | 4   | 118375051/1 | Fair Led                |                        |      |       |
| 4         | 1   | 118738231/1 | Exhaust Tube            |                        |      |       |
| 5         | 2   | 112583500/0 | Grower                  |                        |      |       |
| 6         | 2   | 112737450/0 | Screw                   |                        |      |       |
| 7         | 4   | 112735108/1 | Screw                   |                        |      |       |
| 8         | 1   | 112735599/0 | Screw                   |                        |      |       |
| 10        | 1   | 127598060/0 | Oil Discharge Extension |                        |      |       |
| 11        | 1   | 118737849/0 | Plug                    |                        |      |       |
| 12        | 1   | 118401001/1 | Oil Seal                |                        |      |       |
| 14        | 2   | 112793102/0 | Screw                   |                        |      |       |
| 15        | 2   | 112540260/0 | Washer                  |                        |      |       |
| 16        | 1   | 182750010/0 | Muffler                 |                        |      |       |
| 17        | 2   | 112360425/0 | Nut                     |                        |      |       |
| 18        | 1   | 382598039/0 | Guard                   |                        |      |       |
| 19        | 2   | 112792611/0 | Screw                   |                        |      |       |
| 20        | 2   | 112583500/0 | Grower                  |                        |      |       |
| 41        | 2   | 112791213/1 | Screw                   | From 01-september-2003 |      |       |
| 41        | 2   | 12791213/0  | Screw                   | To 31-august-2003      |      |       |
| 42        | 2   | 112292102/0 | Nut                     |                        |      |       |
| 43        | 1   | 118736110/0 | Starter Relay           | To 31-august-2016      |      |       |
| 43        | 1   | 118736113/0 | Starter Relay           |                        |      |       |
| 44        | 2   | 112360352/0 | Nut                     |                        |      |       |
| 45        | 1   | 118564864/1 | Protection              |                        |      |       |
| 46        | 1   | 125065017/0 | Cable                   |                        |      |       |
| 61        | 1   | 182000212/0 | Accelerator             |                        |      |       |
| 62        | 2   | 125943012/0 | Screw                   |                        |      |       |
| 64        | 1   | 125394501/0 | Knob                    |                        |      |       |
| 65        | 1   | 112726388/0 | Screw                   |                        |      |       |
| 66        | 1   | 112290800/0 | Nut                     |                        |      |       |



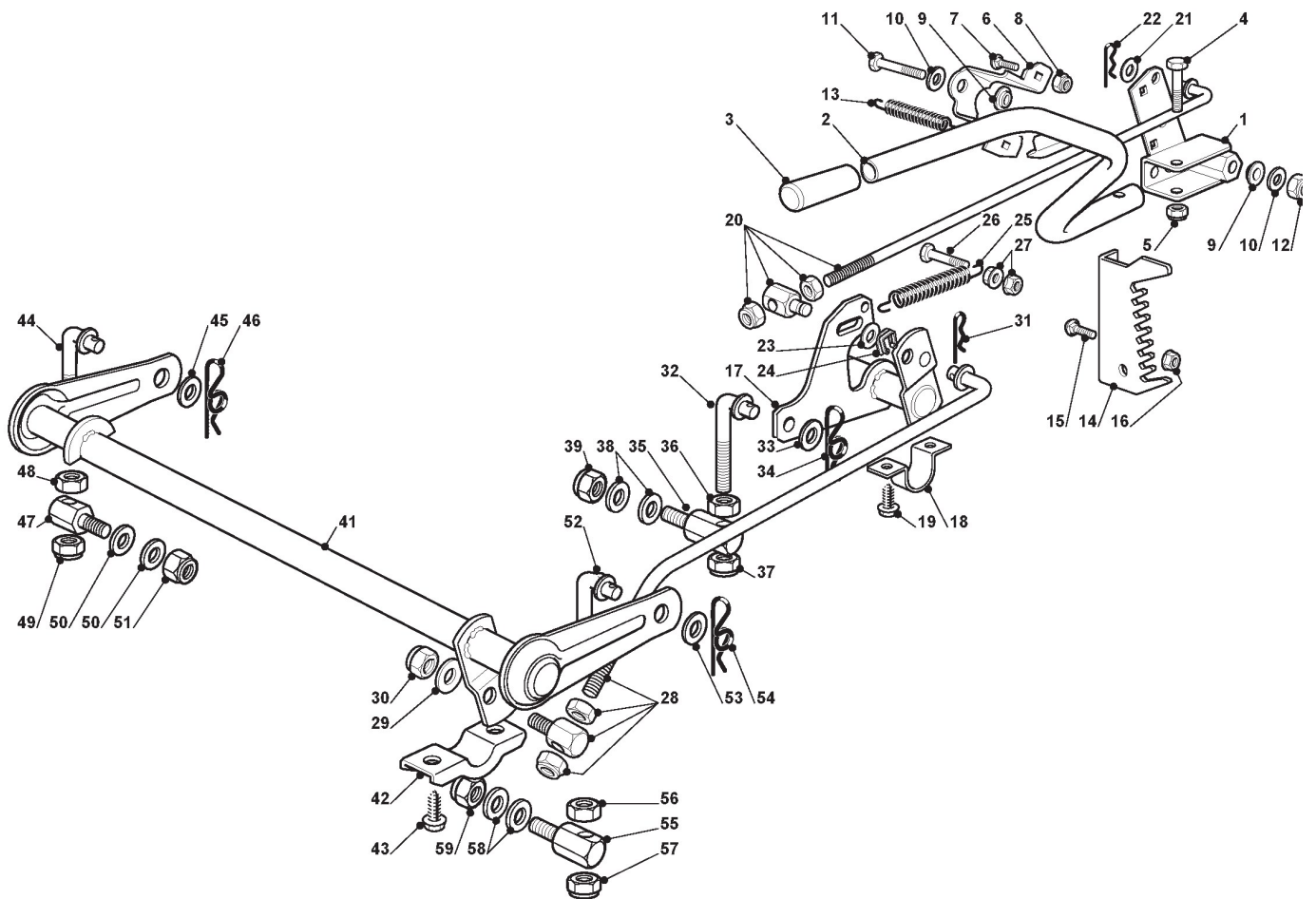
## Illustration Transmission

| Reference | Qty | Item number | Description            | Notes                  | From | Up to |
|-----------|-----|-------------|------------------------|------------------------|------|-------|
| 1         | 1   | 118399061/0 | Clutch                 | To 31-august-2007      |      |       |
| 1         | 1   | 118399063/0 | Electromagnetic Clutch | From 01-september-2007 |      |       |
| 2         | 1   | 112737320/0 | Screw                  |                        |      |       |
| 3         | 1   | 112543000/0 | Washer                 |                        |      |       |
| 4         | 1   | 122430216/0 | Tension Spring         | To 31-august-2010      |      |       |
| 4         | 1   | 122430216/1 | Spring                 | From 01-september-2010 |      |       |
| 5         | 1   | 125601567/0 | Pulley                 |                        |      |       |
| 6         | 1   | 125160021/0 | Spacer                 |                        |      |       |
| 7         | 1   | 382318217/0 | Lever                  |                        |      |       |
| 8         | 1   | 112691115/0 | Screw                  |                        |      |       |
| 9         | 1   | 112523060/0 | Washer                 |                        |      |       |
| 10        | 1   | 327670055/0 | Antifriction Washer    |                        |      |       |
| 11        | 1   | 125510087/0 | Pin                    |                        |      |       |
| 12        | 1   | 112523060/0 | Washer                 |                        |      |       |
| 13        | 1   | 112155000/0 | Nut                    |                        |      |       |
| 14        | 1   | 125601554/0 | Pulley                 |                        |      |       |
| 15        | 1   | 112523060/0 | Washer                 |                        |      |       |
| 16        | 1   | 112155000/0 | Nut                    |                        |      |       |
| 17        | 1   | 125430260/0 | Spring                 |                        |      |       |
| 18        | 1   | 325755049/0 | Bracket                |                        |      |       |
| 19        | 1   | 125840005/0 | Tie Rod                |                        |      |       |
| 20        | 2   | 112293200/0 | Nut                    |                        |      |       |
| 21        | 1   | 112818690/0 | Screw                  |                        |      |       |
| 22        | 1   | 112293201/0 | Nut                    |                        |      |       |
| 23        | 1   | 382820013/0 | Tie Rod                |                        |      |       |
| 24        | 1   | 112155000/0 | Nut                    |                        |      |       |
| 25        | 1   | 125510063/0 | Pin                    |                        |      |       |
| 26        | 2   | 325670011/0 | Antifriction Washer    |                        |      |       |
| 27        | 1   | 112155000/0 | Nut                    |                        |      |       |
| 28        | 1   | 112521350/0 | Washer                 |                        |      |       |
| 29        | 1   | 112604899/0 | Crown Fastener         |                        |      |       |
| 30        | 1   | 135062012/0 | Belt                   |                        |      |       |
| 32        | 1   | 125065026/0 | Cable                  |                        |      |       |
| 41        | 1   | 125510100/0 | Pin                    |                        |      |       |
| 42        | 1   | 112691800/0 | Screw                  |                        |      |       |
| 43        | 1   | 125601555/0 | Pulley                 |                        |      |       |
| 44        | 1   | 112523060/0 | Washer                 |                        |      |       |
| 45        | 1   | 112155000/0 | Nut                    |                        |      |       |
| 46        | 1   | 125160014/1 | Right Spacer           |                        |      |       |
| 47        | 1   | 125160018/1 | Left Spacer            |                        |      |       |
| 48        | 1   | 112691200/0 | Screw                  |                        |      |       |
| 49        | 1   | 112691100/0 | Screw                  |                        |      |       |
| 50        | 2   | 125601588/0 | Pulley                 |                        |      |       |
| 51        | 2   | 122671653/0 | Washer                 |                        |      |       |
| 52        | 2   | 112155000/0 | Nut                    |                        |      |       |
| 55        | 4   | 112154210/0 | Nut                    |                        |      |       |

## Illustration Transmission

---

| Reference | Qty | Item number | Description    | Notes | From | Up to |
|-----------|-----|-------------|----------------|-------|------|-------|
| 56        | 2   | 325774247/0 | Bracket        |       |      |       |
| 57        | 2   | 112735150/0 | Screw          |       |      |       |
| 58        | 2   | 112792611/0 | Screw          |       |      |       |
| 59        | 2   | 112293201/0 | Nut            |       |      |       |
| 60        | 1   | 182601509/0 | Pulley         |       |      |       |
| 61        | 1   | 112139430/0 | Key            |       |      |       |
| 62        | 1   | 112608950/0 | Seeger         |       |      |       |
| 63        | 1   | 125270321/0 | Belt Guide     |       |      |       |
| 64        | 2   | 112523040/0 | Washer         |       |      |       |
| 65        | 2   | 112292102/0 | Nut            |       |      |       |
| 67        | 24  | 112521410/0 | Washer         |       |      |       |
| 71        | 2   | 125580030/0 | Belt Guide Peg |       |      |       |
| 72        | 2   | 112523060/0 | Washer         |       |      |       |
| 73        | 2   | 112360425/0 | Nut            |       |      |       |



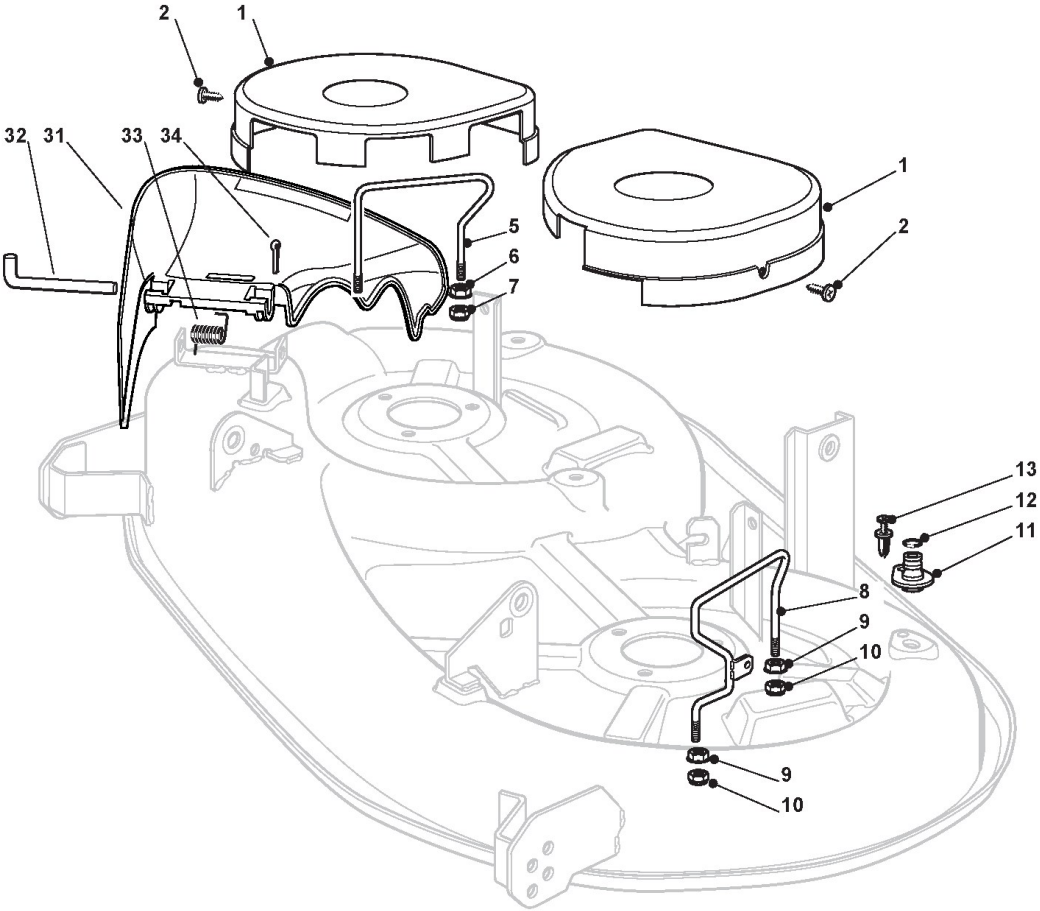
## Illustration Cutting Plate Lifting

| Reference | Qty | Item number | Description         | Notes | From | Up to |
|-----------|-----|-------------|---------------------|-------|------|-------|
| 1         | 1   | 382774249/0 | Clamp               |       |      |       |
| 2         | 1   | 82318219/0  | Lever               |       |      |       |
| 3         | 1   | 125394508/0 | Knob                |       |      |       |
| 4         | 1   | 112674700/0 | Screw               |       |      |       |
| 5         | 1   | 112154510/0 | Nut                 |       |      |       |
| 6         | 1   | 325650113/0 | Plate               |       |      |       |
| 7         | 2   | 112818690/0 | Screw               |       |      |       |
| 8         | 2   | 112155000/0 | Nut                 |       |      |       |
| 9         | 2   | 122041980/0 | Bushing             |       |      |       |
| 10        | 2   | 112523060/0 | Washer              |       |      |       |
| 11        | 1   | 112691600/0 | Screw               |       |      |       |
| 12        | 1   | 112155000/0 | Nut                 |       |      |       |
| 13        | 1   | 125430259/0 | Spring              |       |      |       |
| 14        | 1   | 325735511/0 | Sector              |       |      |       |
| 15        | 2   | 112818690/0 | Screw               |       |      |       |
| 16        | 2   | 112293201/0 | Nut                 |       |      |       |
| 17        | 1   | 382000387/0 | Axle                |       |      |       |
| 18        | 2   | 325547041/0 | Left Plate          |       |      |       |
| 19        | 4   | 112731601/0 | Screw               |       |      |       |
| 20        | 1   | 382000536/0 | Rod                 |       |      |       |
| 21        | 1   | 325670011/0 | Antifriction Washer |       |      |       |
| 22        | 1   | 124487998/0 | Cotter Pin          |       |      |       |
| 23        | 1   | 325670008/1 | Washer              |       |      |       |
| 24        | 1   | 112436050/0 | Plate               |       |      |       |
| 25        | 1   | 122446402/0 | Spring              |       |      |       |
| 26        | 1   | 112792410/0 | Screw               |       |      |       |
| 27        | 2   | 112292102/0 | Nut                 |       |      |       |
| 28        | 1   | 382000537/0 | Connecting Rod      |       |      |       |
| 29        | 2   | 325670008/1 | Washer              |       |      |       |
| 30        | 1   | 112156602/0 | Nut                 |       |      |       |
| 31        | 1   | 124487998/0 | Cotter Pin          |       |      |       |
| 32        | 1   | 125840025/0 | Tie Rod             |       |      |       |
| 33        | 1   | 325670008/1 | Washer              |       |      |       |
| 34        | 1   | 124487998/0 | Cotter Pin          |       |      |       |
| 35        | 1   | 125510090/0 | Pin                 |       |      |       |
| 36        | 1   | 112295200/0 | Nut                 |       |      |       |
| 37        | 1   | 112156602/0 | Nut                 |       |      |       |
| 38        | 2   | 325670008/1 | Washer              |       |      |       |
| 39        | 1   | 112156602/0 | Nut                 |       |      |       |
| 41        | 1   | 382000385/0 | Axle                |       |      |       |
| 42        | 2   | 327546015/1 | Plate               |       |      |       |
| 43        | 4   | 112731350/0 | Screw               |       |      |       |
| 44        | 1   | 125840024/0 | Tie Rod             |       |      |       |
| 45        | 1   | 325670008/1 | Washer              |       |      |       |
| 46        | 1   | 124487998/0 | Cotter Pin          |       |      |       |
| 47        | 1   | 125510098/0 | Pin                 |       |      |       |

## Illustration Cutting Plate Lifting

---

| Reference | Qty | Item number | Description | Notes | From | Up to |
|-----------|-----|-------------|-------------|-------|------|-------|
| 48        | 1   | 112295200/0 | Nut         |       |      |       |
| 49        | 1   | 112156602/0 | Nut         |       |      |       |
| 50        | 2   | 325670008/1 | Washer      |       |      |       |
| 51        | 1   | 112156602/0 | Nut         |       |      |       |
| 52        | 1   | 125840025/0 | Tie Rod     |       |      |       |
| 53        | 1   | 325670008/1 | Washer      |       |      |       |
| 54        | 1   | 124487998/0 | Cotter Pin  |       |      |       |
| 55        | 1   | 125510090/0 | Pin         |       |      |       |
| 56        | 1   | 112295200/0 | Nut         |       |      |       |
| 57        | 1   | 112156602/0 | Nut         |       |      |       |
| 58        | 2   | 325670008/1 | Washer      |       |      |       |
| 59        | 1   | 112156602/0 | Nut         |       |      |       |



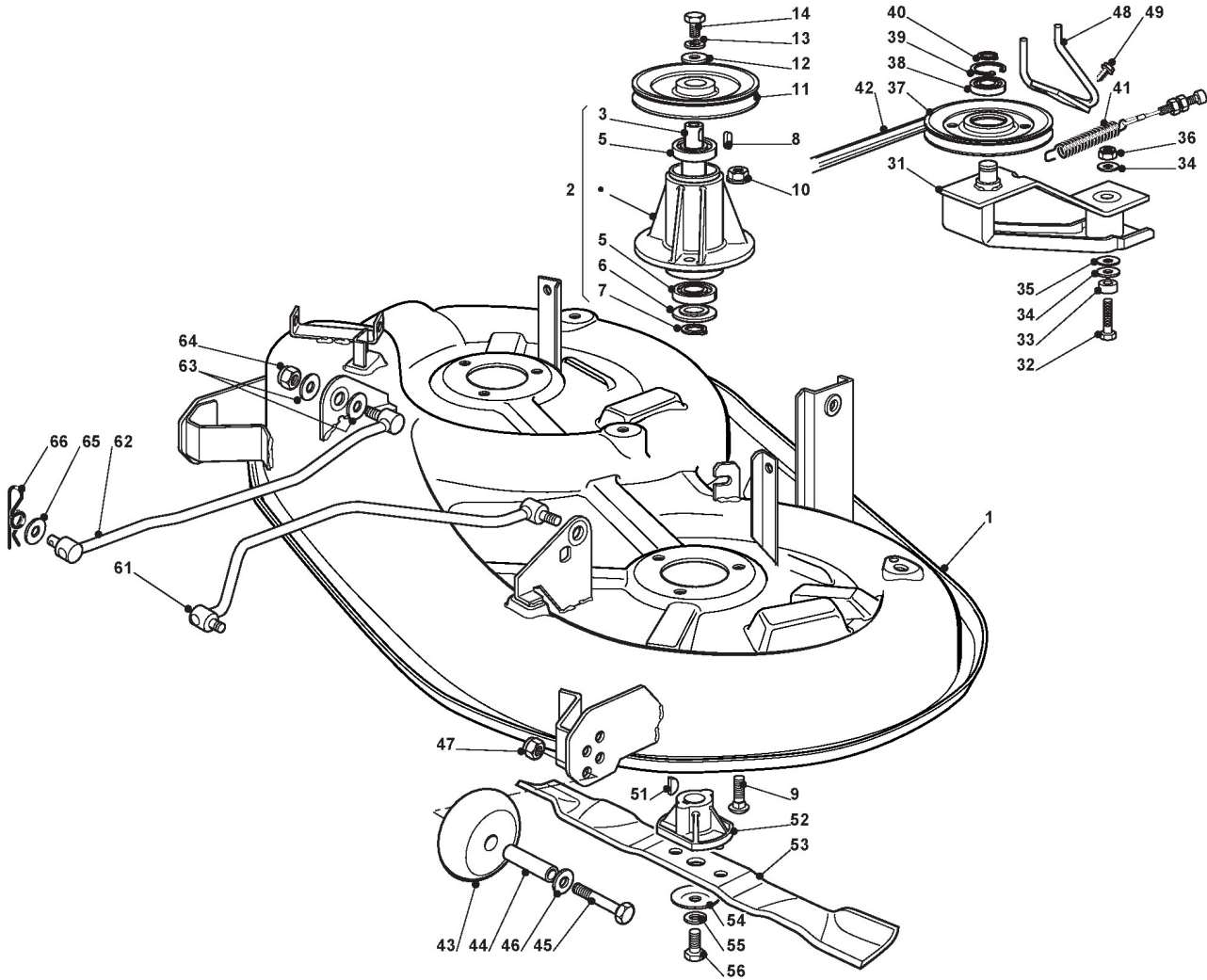


## Illustration Guards And Conveyor

---

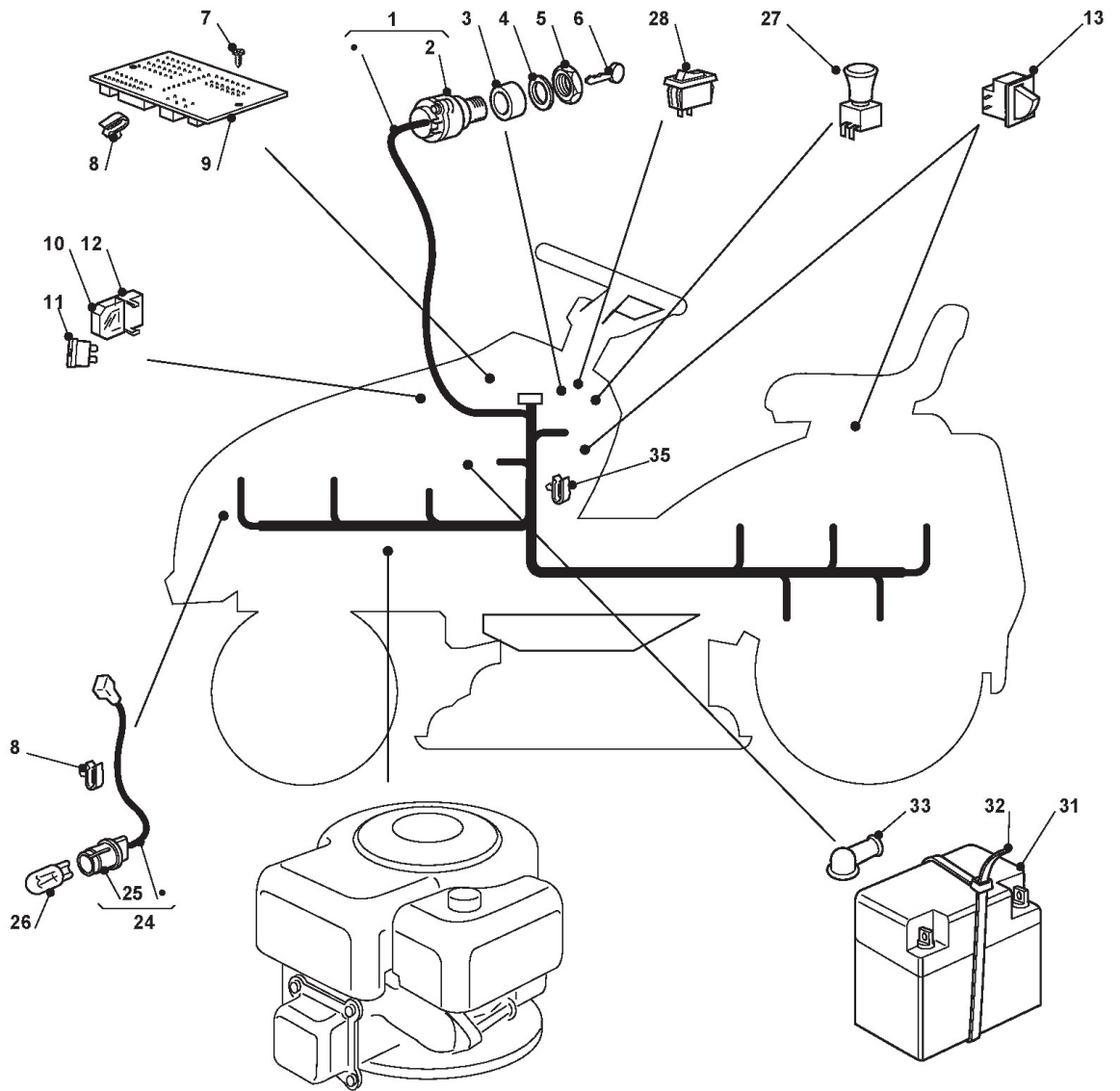
| Reference | Qty | Item number | Description                     | Notes                  | From | Up to |
|-----------|-----|-------------|---------------------------------|------------------------|------|-------|
| 1         | 2   | 125060106/0 | Belt Protection                 |                        |      |       |
| 2         | 4   | 112735110/0 | Screw                           |                        |      |       |
| 5         | 1   | 125270313/0 | Belt Guide                      |                        |      |       |
| 6         | 2   | 112293201/0 | Nut                             |                        |      |       |
| 7         | 2   | 112155000/0 | Nut                             |                        |      |       |
| 8         | 1   | 125270327/0 | Belt Guide                      |                        |      |       |
| 9         | 2   | 112293201/0 | Nut                             |                        |      |       |
| 10        | 2   | 112155000/0 | Nut                             |                        |      |       |
| 11        | 2   | 125033060/0 | Washing Cutting Deck Connection |                        |      |       |
| 12        | 2   | 119035000/0 | Or Ring                         |                        |      |       |
| 13        | 2   | 112500030/0 | Rivet                           |                        |      |       |
| 31        | 1   | 125600056/0 | Stone Guard                     |                        |      |       |
| 32        | 1   | 125510073/0 | Fulcrum Pin                     |                        |      |       |
| 33        | 1   | 125430242/0 | Spring                          | To 31-august-2008      |      |       |
| 33        | 1   | 125430242/1 | Spring                          | From 01-september-2008 |      |       |
| 34        | 1   | 112141418/0 | Cotter Pin                      |                        |      |       |

Illustration Cutting Plate



## Illustration Cutting Plate

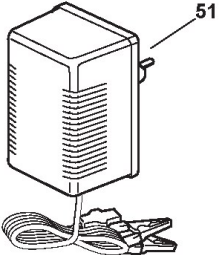
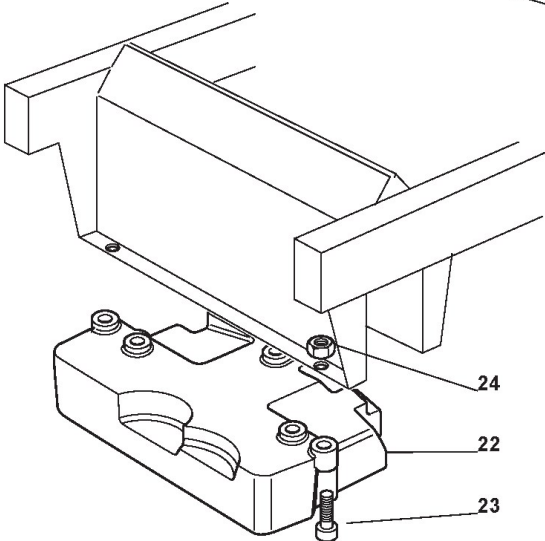
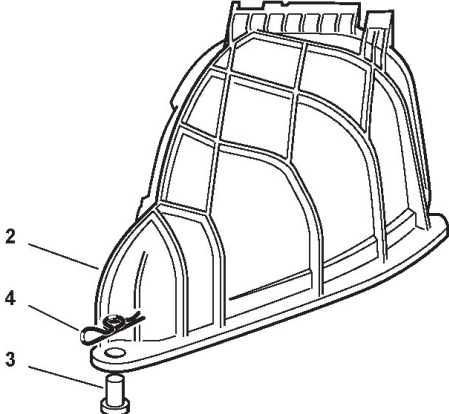
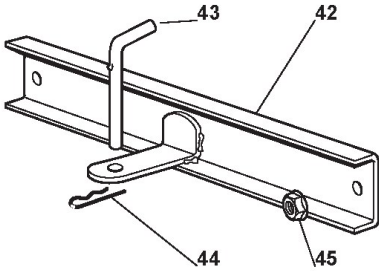
| Reference | Qty | Item number | Description           | Notes                  | From | Up to |
|-----------|-----|-------------|-----------------------|------------------------|------|-------|
| 1         | 1   | 382564083/0 | Cutting Plate Black   |                        |      |       |
| 2         | 2   | 382207202/0 | Left Flange Ass.Y     |                        |      |       |
| 3         | 2   | 125020802/0 | Shaft                 |                        |      |       |
| 5         | 4   | 119216032/0 | Bearing               |                        |      |       |
| 6         | 2   | 325160501/0 | Dust Cover Disc       |                        |      |       |
| 7         | 2   | 112609260/0 | Seeger                |                        |      |       |
| 8         | 2   | 112139480/0 | Feather               |                        |      |       |
| 9         | 6   | 112818700/0 | Screw                 |                        |      |       |
| 10        | 6   | 112154210/0 | Nut                   |                        |      |       |
| 11        | 2   | 125601571/0 | Pulley                |                        |      |       |
| 12        | 2   | 125670007/0 | Washer                |                        |      |       |
| 13        | 2   | 112583500/0 | Grower                |                        |      |       |
| 14        | 2   | 112793102/0 | Screw                 |                        |      |       |
| 31        | 1   | 382318141/2 | Lever                 |                        |      |       |
| 32        | 1   | 112691900/0 | Screw                 |                        |      |       |
| 33        | 1   | 125160041/0 | Washer                |                        |      |       |
| 34        | 2   | 112523070/0 | Washer                |                        |      |       |
| 35        | 1   | 322672152/0 | Antifriction Washer   |                        |      |       |
| 36        | 1   | 112155000/0 | Nut                   |                        |      |       |
| 37        | 1   | 125601587/0 | Pulley                |                        |      |       |
| 38        | 1   | 119216033/1 | Bearing               |                        |      |       |
| 39        | 1   | 112610800/0 | Seeger                |                        |      |       |
| 40        | 1   | 112609200/0 | Seeger                |                        |      |       |
| 41        | 1   | 382004619/0 | Wire                  |                        |      |       |
| 42        | 1   | 135061503/0 | Trapezoidal Belt      |                        |      |       |
| 43        | 2   | 182700002/0 | Anti Scalp Wheel Ø 80 |                        |      |       |
| 44        | 2   | 125510072/0 | Pin                   |                        |      |       |
| 45        | 2   | 112692050/0 | Screw                 |                        |      |       |
| 46        | 2   | 112523060/0 | Washer                |                        |      |       |
| 47        | 2   | 112293201/0 | Nut                   |                        |      |       |
| 48        | 1   | 125270311/1 | Belt Guide            |                        |      |       |
| 49        | 2   | 112729601/1 | Screw                 | From 01-september-2003 |      |       |
| 49        | 2   | 12729601/0  | Screw                 | To 31-august-2003      |      |       |
| 51        | 2   | 112139100/0 | Key                   |                        |      |       |
| 52        | 2   | 125463200/0 | Blade Hub             |                        |      |       |
| 53        | 2   | 182004346/0 | Mulching Blade        |                        |      |       |
| 54        | 2   | 122160400/0 | Elastic Disc          |                        |      |       |
| 55        | 2   | 112523080/0 | Washer                |                        |      |       |
| 56        | 2   | 112735694/0 | Screw                 |                        |      |       |
| 61        | 1   | 382000535/0 | Equalizer Rod         |                        |      |       |
| 62        | 1   | 382000533/0 | Equalizer Rod         |                        |      |       |
| 63        | 4   | 325670008/1 | Washer                |                        |      |       |
| 64        | 2   | 112156602/0 | Nut                   |                        |      |       |
| 65        | 2   | 325670008/1 | Washer                |                        |      |       |
| 66        | 2   | 124487998/0 | Cotter Pin            |                        |      |       |



## Illustration Electrical Parts

---

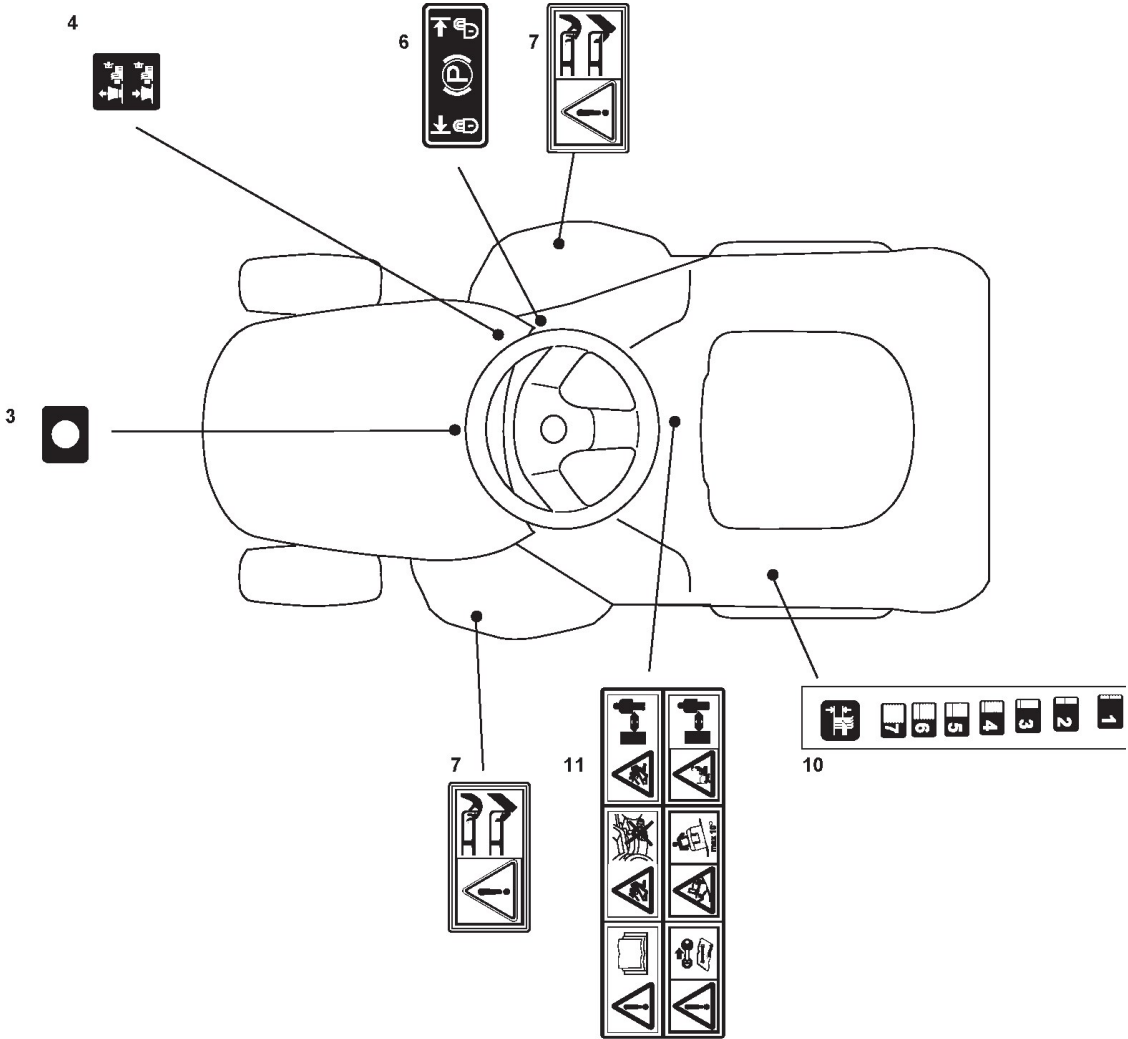
| Reference | Qty | Item number | Description      | Notes | From | Up to |
|-----------|-----|-------------|------------------|-------|------|-------|
| 1         | 1   | 182040145/0 | Cables Ass.Y     |       |      |       |
| 2         | 1   | 118450072/0 | Starting Switch  |       |      |       |
| 3         | 1   | 118550136/0 | Spacer           |       |      |       |
| 4         | 1   | 118550135/0 | Washer           |       |      |       |
| 5         | 1   | 118400862/0 | Ring Nut         |       |      |       |
| 6         | 1   | 118210022/0 | Starting Key     |       |      |       |
| 7         | 3   | 112727810/0 | Screw            |       |      |       |
| 8         | 2   | 133320506/0 | Fairlead         |       |      |       |
| 9         | 1   | 125722432/0 | Electronic Card  |       |      |       |
| 10        | 2   | 133215000/0 | Cover            |       |      |       |
| 11        | 1   | 133340036/0 | Fuse 25 A        |       |      |       |
| 11        | 1   | 133340040/0 | Fuse 10 A        |       |      |       |
| 12        | 2   | 133500007/0 | Fuse Carrier     |       |      |       |
| 13        | 2   | 119410606/0 | Microswitch      |       |      |       |
| 25        | 2   | 133500030/0 | Lamp Holder      |       |      |       |
| 26        | 2   | 118459100/0 | Lamp For Lights  |       |      |       |
| 27        | 1   | 118450068/0 | Switch           |       |      |       |
| 28        | 1   | 118450060/1 | Headlight Switch |       |      |       |
| 31        | 1   | 118120002/1 | Battery          |       |      |       |
| 32        | 1   | 133320028/0 | Fair Led         |       |      |       |
| 33        | 1   | 118564861/1 | Protection       |       |      |       |
| 35        | 9   | 133320506/0 | Fairlead         |       |      |       |



## Illustration Optionals On Request

---

| Reference | Qty | Item number | Description     | Notes | From | Up to |
|-----------|-----|-------------|-----------------|-------|------|-------|
| 2         | 1   | 125190092/0 | Deflector       |       |      |       |
| 3         | 1   | 125510022/0 | Pin             |       |      |       |
| 4         | 1   | 124487998/0 | Cotter Pin      |       |      |       |
| 22        | 1   | 125519997/1 | Front Weight Tc |       |      |       |
| 23        | 3   | 112760520/0 | Screw           |       |      |       |
| 24        | 3   | 112155000/0 | Nut             |       |      |       |
| 42        | 1   | 382033109/0 | Rod             |       |      |       |
| 43        | 1   | 125510021/1 | Hitch Pin       |       |      |       |
| 44        | 1   | 124487999/0 | Spring Pin      |       |      |       |
| 45        | 2   | 112156602/0 | Nut             |       |      |       |
| 51        | 1   | 182180050/0 | Battery Charger |       |      |       |

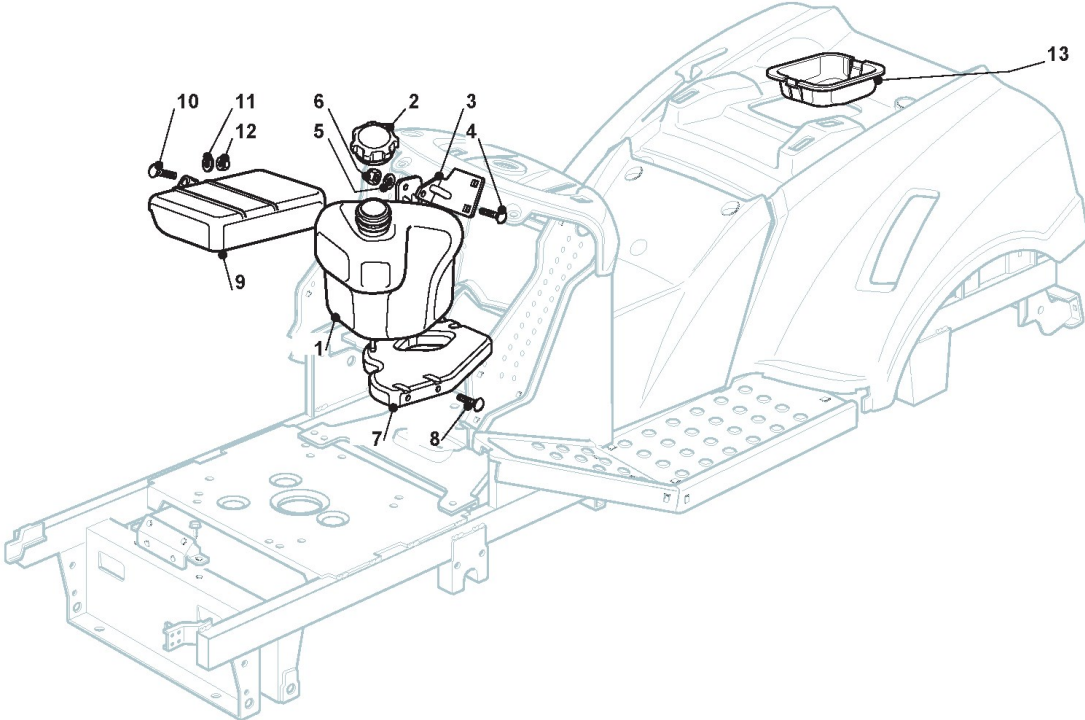




## Illustration Labels

---

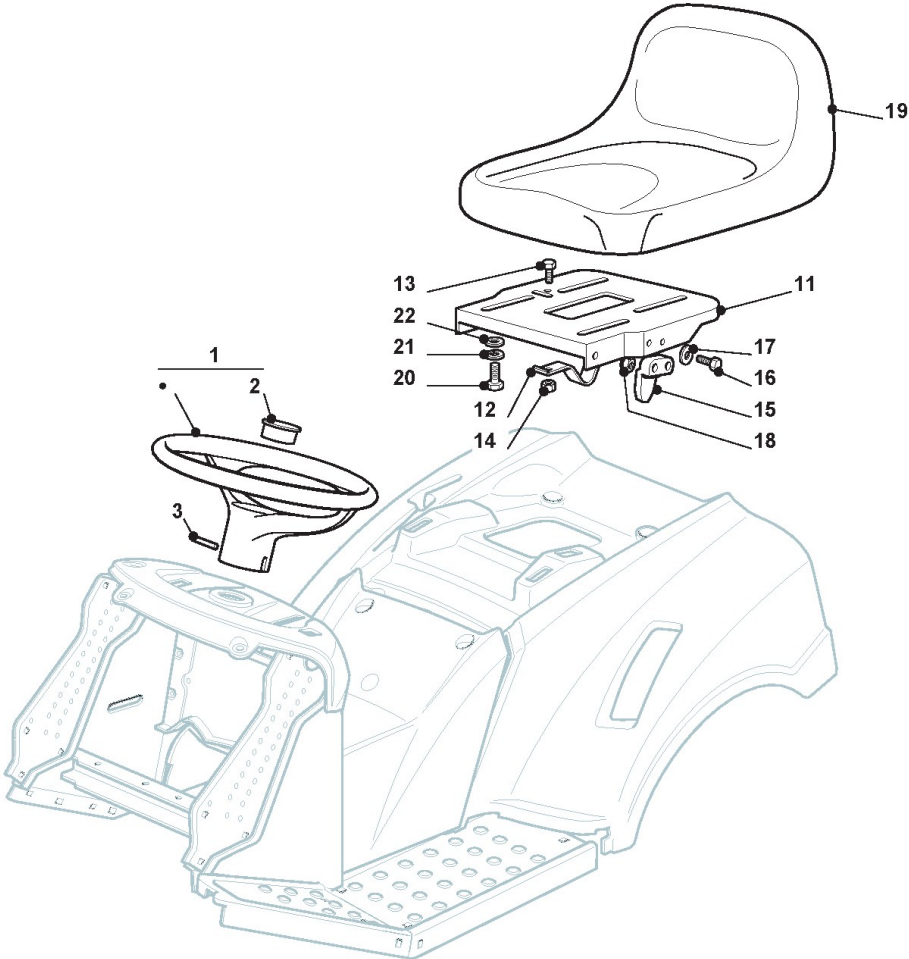
| Reference | Qty | Item number | Description | Notes | From | Up to |
|-----------|-----|-------------|-------------|-------|------|-------|
| 3         | 1   | 125420018/0 | Label       |       |      |       |
| 4         | 1   | 114361438/0 | Label       |       |      |       |
| 6         | 1   | 114361452/0 | Label       |       |      |       |
| 7         | 1   | 114356699/1 | Label       |       |      |       |
| 10        | 1   | 114361441/0 | Label       |       |      |       |
| 11        | 1   | 114362365/0 | Label       |       |      |       |



## Illustration Tank

---

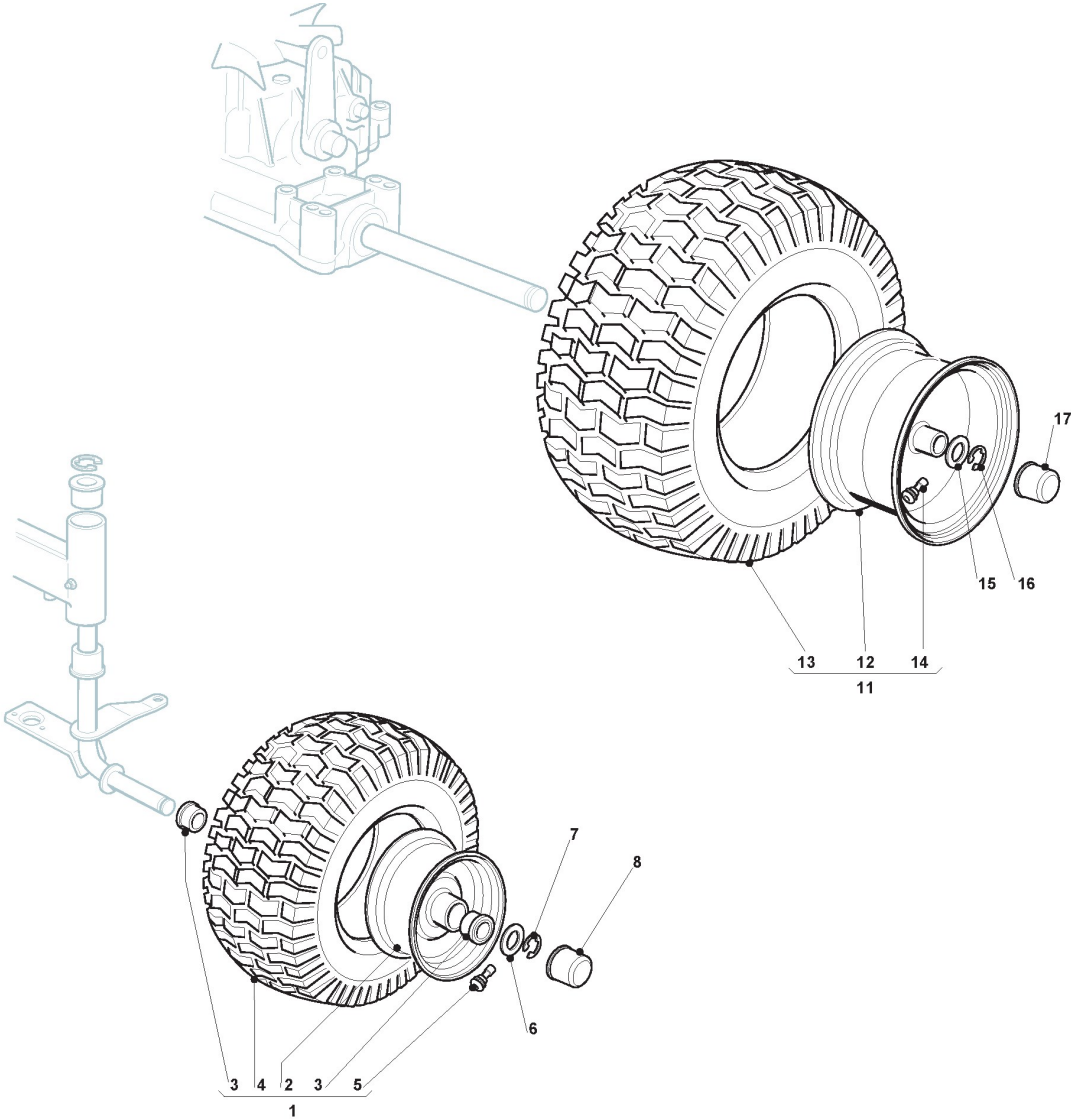
| Reference | Qty | Item number | Description | Notes | From | Up to |
|-----------|-----|-------------|-------------|-------|------|-------|
| 1         | 1   | 325735124/0 | Fuel Tank   |       |      |       |
| 2         | 1   | 125795001/1 | Cap         |       |      |       |
| 3         | 1   | 325785291/0 | Support     |       |      |       |
| 4         | 1   | 112789195/0 | Screw       |       |      |       |
| 5         | 1   | 112581500/0 | Grower      |       |      |       |
| 6         | 1   | 112437503/0 | Plate       |       |      |       |
| 7         | 1   | 325785289/0 | Support     |       |      |       |
| 8         | 4   | 112735403/0 | Screw       |       |      |       |
| 9         | 1   | 325600075/0 | Guard       |       |      |       |
| 10        | 1   | 112815240/0 | Screw       |       |      |       |
| 11        | 1   | 112581500/0 | Grower      |       |      |       |
| 12        | 1   | 112437503/0 | Plate       |       |      |       |
| 13        | 1   | 325207176/0 | Basin       |       |      |       |



## Illustration Seat & Steering Wheel

---

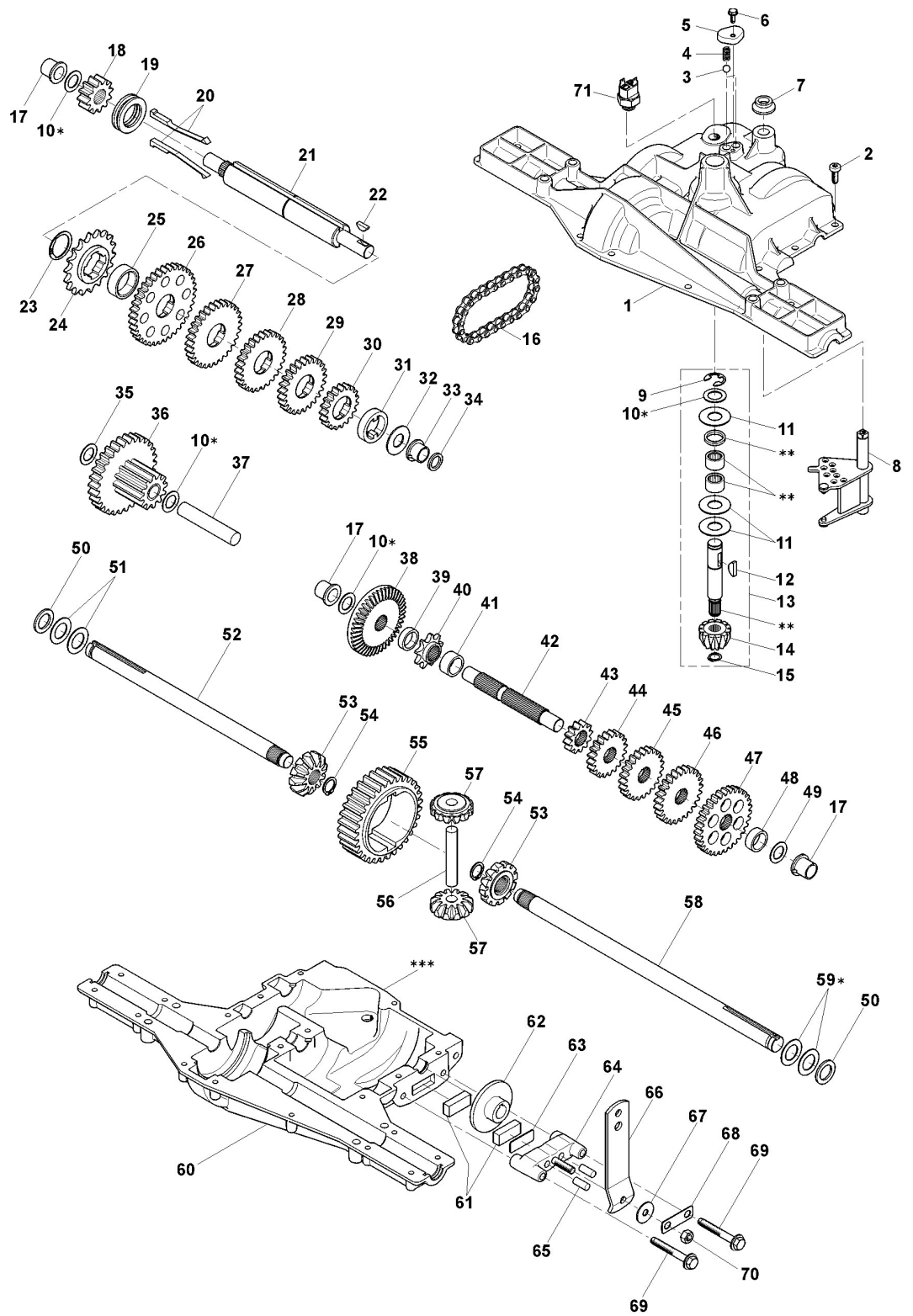
| Reference | Qty | Item number | Description    | Notes | From | Up to |
|-----------|-----|-------------|----------------|-------|------|-------|
| 1         | 1   | 125961201/0 | Steering Wheel |       |      |       |
| 2         | 1   | 325120230/0 | Cover          |       |      |       |
| 3         | 1   | 112620299/0 | Elastic Pin    |       |      |       |
| 11        | 1   | 325547033/1 | Seat Plate     |       |      |       |
| 12        | 1   | 125430223/2 | Spring         |       |      |       |
| 13        | 1   | 112789000/0 | Screw          |       |      |       |
| 14        | 1   | 112154330/0 | Nut            |       |      |       |
| 15        | 1   | 327063021/1 | Cam            |       |      |       |
| 16        | 2   | 112789100/0 | Screw          |       |      |       |
| 17        | 2   | 112523020/0 | Washer         |       |      |       |
| 18        | 2   | 112154330/0 | Nut            |       |      |       |
| 19        | 1   | 125722470/0 | Seat           |       |      |       |
| 20        | 4   | 112793101/0 | Screw          |       |      |       |
| 21        | 4   | 112583500/0 | Grower         |       |      |       |
| 22        | 4   | 112523060/0 | Washer         |       |      |       |



## Illustration Wheels

---

| Reference | Qty | Item number | Description                          | Notes             | From | Up to |
|-----------|-----|-------------|--------------------------------------|-------------------|------|-------|
| 1         | 2   | 382680002/2 | Front Wheel                          | To 31-august-2008 |      |       |
| 1         | 2   | 382680005/1 | Front Wheel                          |                   |      |       |
| 2         | 2   | 182000590/1 | Rimm                                 |                   |      |       |
| 3         | 4   | 125122200/2 | Bearing                              |                   |      |       |
| 4         | 2   | 125590000/0 | Front Tyre                           | To 31-august-2008 |      |       |
| 4         | 2   | 125590002/0 | Shoe Deli Tire 13x5.00-6 PR2 TL S365 |                   |      |       |
| 5         | 2   | 125950000/0 | Valve                                |                   |      |       |
| 6         | 2   | 125670005/1 | Washer                               |                   |      |       |
| 7         | 2   | 112001000/0 | Benzing Ring                         |                   |      |       |
| 8         | 2   | 122110230/0 | Hub Cover                            |                   |      |       |
| 11        | 2   | 382680003/0 | Rear Wheel                           |                   |      |       |
| 11        | 2   | 382680006/0 | Rear Wheel Assy                      |                   |      |       |
| 12        | 2   | 182000592/0 | Rear Wheel Rimm                      |                   |      |       |
| 13        | 2   | 125590001/0 | Rear Tyre                            |                   |      |       |
| 13        | 2   | 125590003/0 | Shoe Deli Tire 160/50-8              |                   |      |       |
| 14        | 2   | 125950000/0 | Valve                                |                   |      |       |
| 15        | 2   | 125670005/1 | Washer                               |                   |      |       |
| 16        | 2   | 112001010/0 | Benzing Ring                         |                   |      |       |
| 17        | 2   | 122110230/0 | Hub Cover                            |                   |      |       |





## Illustration Transmission

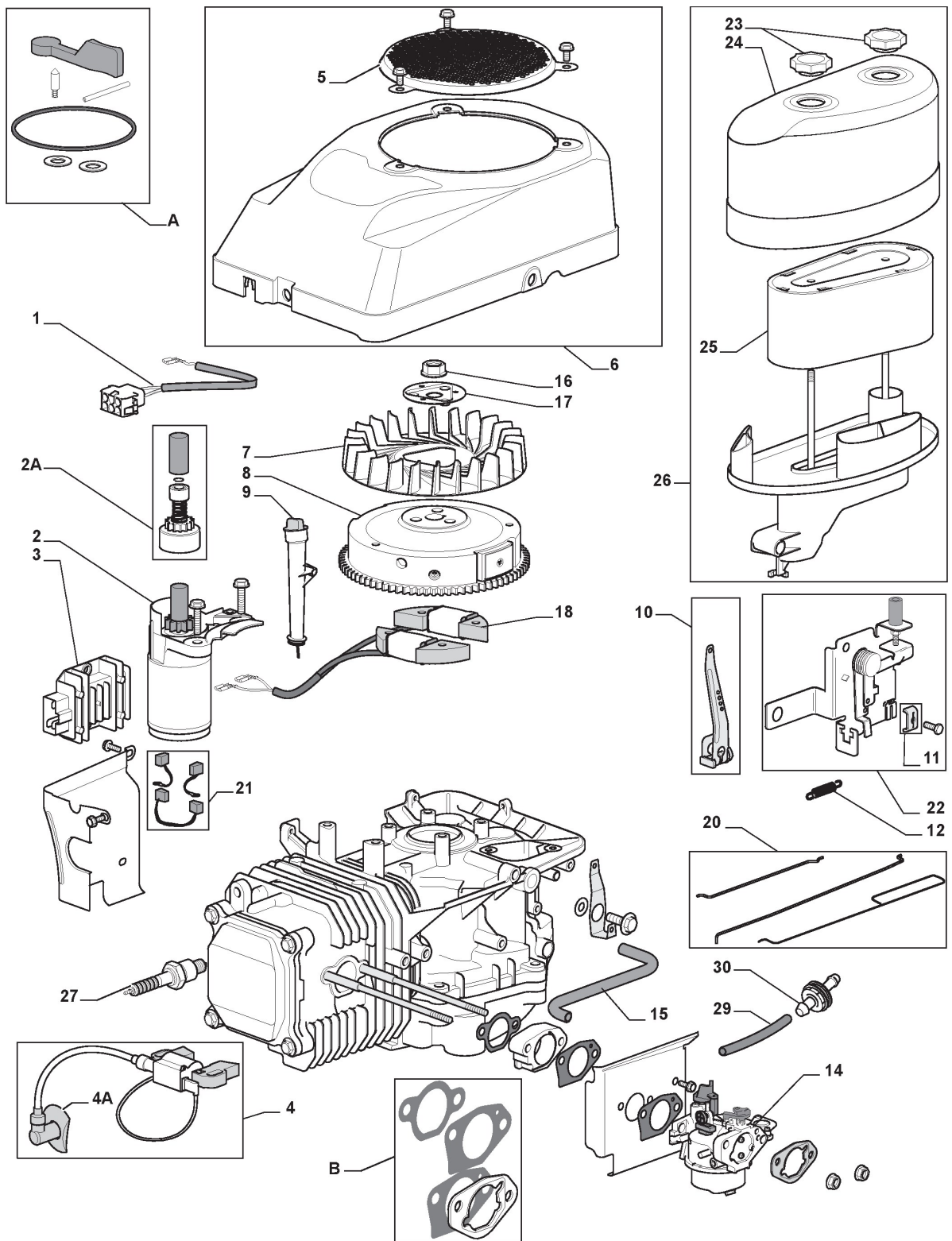
---

| Reference | Qty | Item number  | Description                  | Notes | From | Up to |
|-----------|-----|--------------|------------------------------|-------|------|-------|
| 1         | 1   | F000-5962-AC | Housing, Upper               |       |      |       |
| 2         | 16  | F000-1919-00 | Screw                        |       |      |       |
| 3         | 2   | F000-5947-00 | Detent Ball                  |       |      |       |
| 4         | 2   | F000-5948-00 | Spring, Detent               |       |      |       |
| 5         | 1   | F000-5950-00 | Cover, Detent                |       |      |       |
| 6         | 1   | F084-0052-00 | Screw                        |       |      |       |
| 7         | 1   | F000-7010-00 | V-Ring                       |       |      |       |
| 8         | 1   | F000-6517-00 | Assy, Kit, Shifter           |       |      |       |
| 9         | 1   | F000-1106-00 | Ring, Retaining              |       |      |       |
| 10        | 4   | F000-4689-00 | Assy, Kit, Shim, .625 Shaft  |       |      |       |
| 11        | 3   | F000-3876-00 | Washer                       |       |      |       |
| 12        | 1   | F000-1746-00 | Woodruff Key                 |       |      |       |
| 13        | 1   | F000-6595-00 | Assy, Kit, Input Shaft       |       |      |       |
| 14        | 1   | F000-5620-00 | Pinion, Bevel, 12T           |       |      |       |
| 15        | 1   | F000-3624-00 | Ring, Retaining              |       |      |       |
| 16        | 1   | F000-3625-00 | Chain, 24 Pitches            |       |      |       |
| 17        | 3   | F000-5510-00 | Bearing, Flange              |       |      |       |
| 18        | 1   | F000-5627-00 | Gear, Spur, 12T              |       |      |       |
| 19        | 1   | F000-5303-00 | Collar, Clutch               |       |      |       |
| 20        | 1   | F000-4758-00 | Assy, Kit, Clutch Keys       |       |      |       |
| 21        | 1   | F000-5737-00 | Shaft, Intermediate          |       |      |       |
| 22        | 1   | F000-1375-00 | Woodruff Key                 |       |      |       |
| 23        | 1   | F000-3627-00 | Ring, Retaining              |       |      |       |
| 24        | 1   | F000-3830-00 | Sprocket, 18T                |       |      |       |
| 25        | 1   | F000-3841-00 | Spacer                       |       |      |       |
| 26        | 1   | F000-5365-00 | Gear, Spur, 37T              |       |      |       |
| 27        | 1   | F000-3867-00 | Gear, Spur 30T               |       |      |       |
| 28        | 1   | F000-5014-00 | Gear, Spur, 27T              |       |      |       |
| 29        | 1   | F000-3783-00 | Gear, Spur 25T               |       |      |       |
| 30        | 1   | F000-5202-00 | Gear, Spur, 19T              |       |      |       |
| 31        | 1   | F000-5027-00 | Spacer                       |       |      |       |
| 32        | 1   | F000-3628-00 | Washer                       |       |      |       |
| 33        | 1   | F000-5511-00 | Bearing, Flange              |       |      |       |
| 34        | 1   | F000-5508-00 | Seal, Oil                    |       |      |       |
| 35        | 1   | F000-1425-00 | Washer                       |       |      |       |
| 36        | 1   | F000-6358-00 | Assy, Gear, Comb., 12T & 30T |       |      |       |
| 37        | 1   | F000-3967-00 | Shaft, Idler                 |       |      |       |
| 38        | 1   | F000-7003-00 | Gear, Bevel, 36T             |       |      |       |
| 39        | 1   | F000-3630-00 | Spacer                       |       |      |       |
| 40        | 1   | F000-3645-00 | Sprocket, 9T                 |       |      |       |
| 41        | 1   | F000-5016-00 | Spacer                       |       |      |       |
| 42        | 1   | F000-5015-00 | Drive Shaft                  |       |      |       |
| 43        | 1   | F000-5364-00 | Gear, Spur, 12T              |       |      |       |
| 44        | 1   | F000-3866-00 | Gear, Spur 20T               |       |      |       |
| 45        | 1   | F000-5013-00 | Gear, Spur, 23T              |       |      |       |

## Illustration Transmission

---

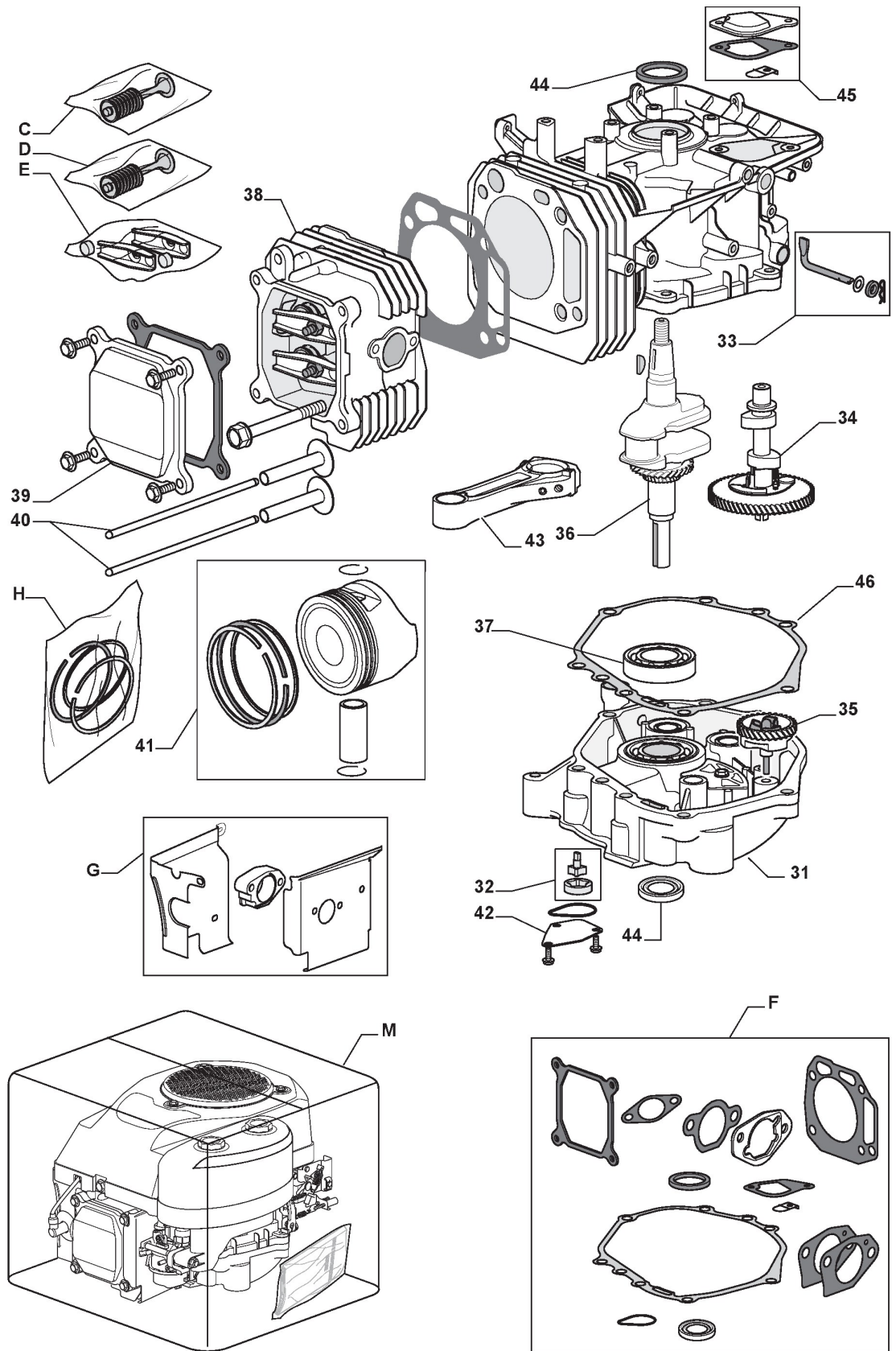
| Reference | Qty | Item number  | Description                 | Notes | From | Up to |
|-----------|-----|--------------|-----------------------------|-------|------|-------|
| 46        | 1   | F000-3719-00 | Gear, Spur, 25T             |       |      |       |
| 47        | 1   | F000-3683-00 | Gear, Spur, 31T             |       |      |       |
| 48        | 1   | F000-3714-00 | Spacer                      |       |      |       |
| 49        | 1   | F000-1145-00 | Washer                      |       |      |       |
| 50        | 2   | F000-5130-00 | Washer                      |       |      |       |
| 51        | 2   | F000-3184-00 | Washer                      |       |      |       |
| 52        | 1   | F000-7070-10 | Wheel Axle, Left            |       |      |       |
| 53        | 2   | F000-5622-00 | Gear, Miter, 12T, Splined   |       |      |       |
| 54        | 2   | F000-5270-00 | Ring, Retaining             |       |      |       |
| 55        | 1   | F000-3839-00 | Gear, Spur, 32T             |       |      |       |
| 56        | 1   | F000-3919-00 | Shaft, Cross                |       |      |       |
| 57        | 2   | F000-5623-00 | Gear, Miter, 12T, Idler     |       |      |       |
| 58        | 1   | F000-7070-20 | Wheel Axle, Right           |       |      |       |
| 59        | 1   | F000-4691-00 | Assy, Kit, Shim, .750 Shaft |       |      |       |
| 60        | 1   | F000-5304-R0 | Housing, Lower              |       |      |       |
| 61        | 2   | F000-7109-00 | Puck, Friction              |       |      |       |
| 62        | 1   | F000-5960-00 | Disc, Brake                 |       |      |       |
| 63        | 1   | F000-3758-00 | Spacer                      |       |      |       |
| 64        | 1   | F000-5554-00 | Jaw, Brake                  |       |      |       |
| 65        | 2   | F000-3843-00 | Dowel                       |       |      |       |
| 66        | 1   | F000-7026-00 | Lever, Actuating            |       |      |       |
| 67        | 1   | F000-3760-00 | Washer                      |       |      |       |
| 68        | 1   | F000-5555-00 | Bracket, Anti-Rotation      |       |      |       |
| 69        | 2   | F000-5562-00 | Screw                       |       |      |       |
| 70        | 1   | F000-3847-00 | Nut                         |       |      |       |
| 71        | 1   | 119410610/0  | Micro Lever                 |       |      |       |



## Illustration Engine - GGP TRE0701

---

| Reference | Qty | Item number  | Description            | Notes | From | Up to |
|-----------|-----|--------------|------------------------|-------|------|-------|
| 1         | 1   | 118550207/0  | Output Wire, Rectifier |       |      |       |
| 2         | 1   | 118550214/0  | Start Motor Assy       |       |      |       |
| 2         | 1   | 118550365/1  | Kit Repair             |       |      |       |
| 3         | 1   | 118550208/0  | Rectfier               |       |      |       |
| 4         | 1   | 118550209/0  | Electronic Coil        |       |      |       |
| 4         | 1   | 118550448/0  | Spark Plug Terminal    |       |      |       |
| 5         | 1   | 118550203/0  | Fan Cover              |       |      |       |
| 6         | 1   | 118550215/0  | Cover Assy             |       |      |       |
| 7         | 1   | 118550235/0  | Flywheel Fan           |       |      |       |
| 8         | 1   | 118550234/0  | Flywheel Ass.Y         |       |      |       |
| 9         | 1   | 118550205/0  | Oil Filler Assy        |       |      |       |
| 10        | 1   | 118550330/0  | Arm Governor Assy      |       |      |       |
| 11        | 1   | 118550212/0  | Casing Clamp           |       |      |       |
| 12        | 1   | 118550213/0  | Spring                 |       |      |       |
| 14        | 1   | 118550324/0  | Carburetor             |       |      |       |
| 15        | 1   | 118550225/0  | Breather Fule Pipe     |       |      |       |
| 16        | 1   | 118550237/0  | Nut                    |       |      |       |
| 17        | 1   | 118550236/0  | Starter Cup            |       |      |       |
| 18        | 1   | 118550210/0  | Coil Assy, Charge      |       |      |       |
| 20        | 1   | 118550239/0  | Governor Rod Assy      |       |      |       |
| 21        | 1   | 118550332/0  | Brushhold              |       |      |       |
| 22        | 1   | 118550331/0  | Remote Control Assy    |       |      |       |
| 23        | 2   | 118550201/0  | Knob                   |       |      |       |
| 24        | 1   | 118550200/0  | Air Cleaner Cover      |       |      |       |
| 25        | 1   | 118550199/0  | Air Filter             |       |      |       |
| 26        | 1   | 118550202/0  | Air Cleaner Assy       |       |      |       |
| 27        | 1   | 9400-0244-00 | Spark Plug             |       |      |       |
| 29        | 1   | 118550432/0  | Fuel Pipe              |       |      |       |
| 30        | 1   | 118550354/1  | Fuel Filter            |       |      |       |
| 999       | 1   | 118550216/0  | Carburator Repair Kit  |       |      |       |
| 999       | 1   | 118550217/0  | Gasket Set             |       |      |       |



## Illustration Engine - GGP TRE0701

---

| Reference | Qty | Item number  | Description              | Notes | From | Up to |
|-----------|-----|--------------|--------------------------|-------|------|-------|
| 31        | 1   | 118550221/0  | Crankcase Cover Assy     |       |      |       |
| 32        | 1   | 118550224/0  | Oil Pump Assy            |       |      |       |
| 33        | 1   | 118550226/0  | Shaft, Governor Arm Assy |       |      |       |
| 34        | 1   | 118550243/0  | Camshaft assy            |       |      |       |
| 35        | 1   | 118550347/0  | Speed Governor Assy      |       |      |       |
| 36        | 1   | 118550232/0  | Crankshaft               |       |      |       |
| 37        | 1   | 118550227/0  | Ball Bearing             |       |      |       |
| 38        | 1   | 118550233/0  | Cylinder Head Assy       |       |      |       |
| 39        | 1   | 118550206/0  | Cover Comp., Head        |       |      |       |
| 40        | 1   | 118550242/0  | Push Rods Assy           |       |      |       |
| 41        | 1   | 118550329/0  | Piston Assy              |       |      |       |
| 42        | 1   | 118550223/0  | Oil Pump Cover           |       |      |       |
| 43        | 1   | 118550231/0  | Connecting Rod Assy      |       |      |       |
| 44        | 1   | 118550228/0  | Oil Seal                 |       |      |       |
| 45        | 1   | 118550446/0  | Gasket Assy              |       |      |       |
| 46        | 1   | 118550355/1  | Crankcase Gasket         |       |      |       |
| 999       | 1   | 1134-9501-01 | Engine Assembled         |       |      |       |
| 999       | 1   | 118550218/0  | Engine Gasket Set        |       |      |       |
| 999       | 1   | 118550220/0  | Engine Guard Assy        |       |      |       |
| 999       | 1   | 118550240/0  | Intake Valve Assy        |       |      |       |
| 999       | 1   | 118550241/0  | Exhaust Valve Assy       |       |      |       |
| 999       | 1   | 118550327/0  | Piston, Ring Set         |       |      |       |
| 999       | 1   | 118550334/0  | Valve Arm Set            |       |      |       |