

ESTATE 3084 H (2016)

Technical information

Article number	2T2110281/14
Item Status	Available
Season	2012-2018
Battery charger	Yes
Blade engagement type	Electromagnetic clutch
Brand Code	Stiga
Engine cooling	Air
Cutting height adjustment	Manual
Cutting height range	25-80 mm
Cutting method	Collecting, Multiclip mulching
Cutting width	84 cm
Deck width	84 cm
Deck width	84 "
Discharge	Rear
Displacement	344 cm ³
EAN code	8008984622937
Engine net power	5,8 kW
Engine rpm	2400 rpm
Engine Brand	Briggs & Stratton
Fuel tank capacity	6 L
Type of fuel	Petrol
Collector capacity	240 L
Gross weight	235,5 kg
Headlights	Led
Maximum working area	3500 m ²
Product Name	ESTATE 3084 H
Net weight	168 kg
Number of cylinders	1
Number of gears	-
Machine dimensions (LxWxH)	2340 X 902 X 1098 mm
Packaging dimensions (LxWxH)	1700 X 1120 X 837 mm
Min turning radius	180 cm
Max speed	8,8 km/h
Steering wheel	Stiga ergonomic with soft grip
SubCategory	Ride on MP 84-98
Traction	Rear-wheel drive
Transmission type	Hydrostatic
Type	Machine
Wheel size front	15x5.00-6 "
Wheel size rear	18x6.50-8 "
Wheel sizes	15"-18"
Blade type	Collecting blade
Included tools kit	Mulching kit, trailer hitch, battery charger
Hour meter	No
Trailer hitch kit	Yes
Bumper	Yes
Cruise control	No
Number of blades	2
Washing link	Yes
Engine net power / RPM	5,8 kW @ 2400 rpm
Dashboard	Yes with LED
Collector type	Textile
Seat type	Stiga classic
Cutting height positions	7 Positions

Documents

Chassis

Chassis

Body

Steering

Brake And Gearbox Controls

Transmission

Cutting Plate Lifting

Cutting Plate

Belt Protections

Grasscatcher

Engine - B&S

Electrical Parts

Labels

Optionals On Request

Labels

Transmission

Transmission

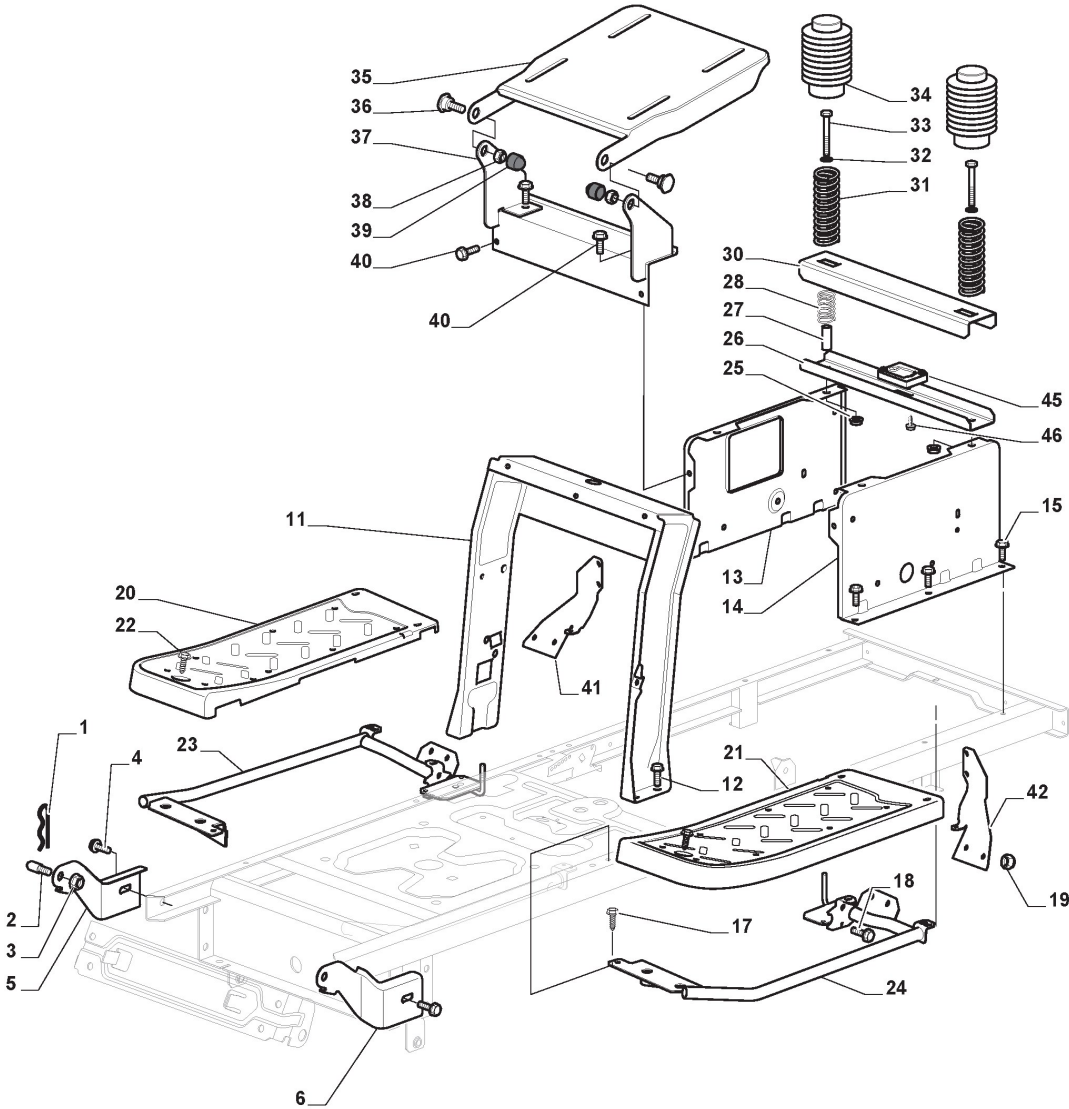


Illustration Chassis

Reference	Qty	Item number	Description	Notes	From	Up to
1	1	124487998/0	Cotter Pin			
2	2	125510079/0	Pin			
3	2	112155000/0	Nut			
4	2	112735599/0	Screw			
5	1	325547225/0	Right Plate			
6	1	325547227/0	Left Plate			
11	1	382785169/1	Steering Column Support			
12	4	125943009/0	Screw			
13	1	325785331/1	Right Seat Support			
14	1	325785333/1	Left Seat Support			
15	6	125943009/0	Screw			
17	2	125943009/0	Screw			
18	2	125943009/0	Screw			
19	10	112155000/0	Nut			
20	1	325500041/1	Right Footboard			
21	1	325500043/1	Left Footboard			
22	2	112735599/0	Screw			
23	1	382785221/0	Footboard Support			
24	1	382785223/0	Footboard Support			
25	2	112293201/0	Nut			
26	1	325820109/1	Seat Support			
27	2	125160077/0	Spacer			
28	2	125430263/0	Spring			
30	1	325820111/0	Support			
31	2	125430264/0	Spring			
32	2	112521350/0	Washer			
33	2	112691400/0	Screw			
34	2	325122002/0	Hood			
35	1	382547061/0	Plate			
36	2	122524970/2	Fulcrum Pin	To 31-august-2014		
36	2	122524970/3	Pin	From 01-september-2014		
37	1	382820151/0	Seat Support			
38	2	112155010/0	Nut			
39	2	118203854/0	Cap			
40	12	125943009/0	Screw			
41	1	325650155/0	Support			
42	1	325650157/0	Support			
45	1	325785379/0	Support			
46	2	112728686/0	Screw			

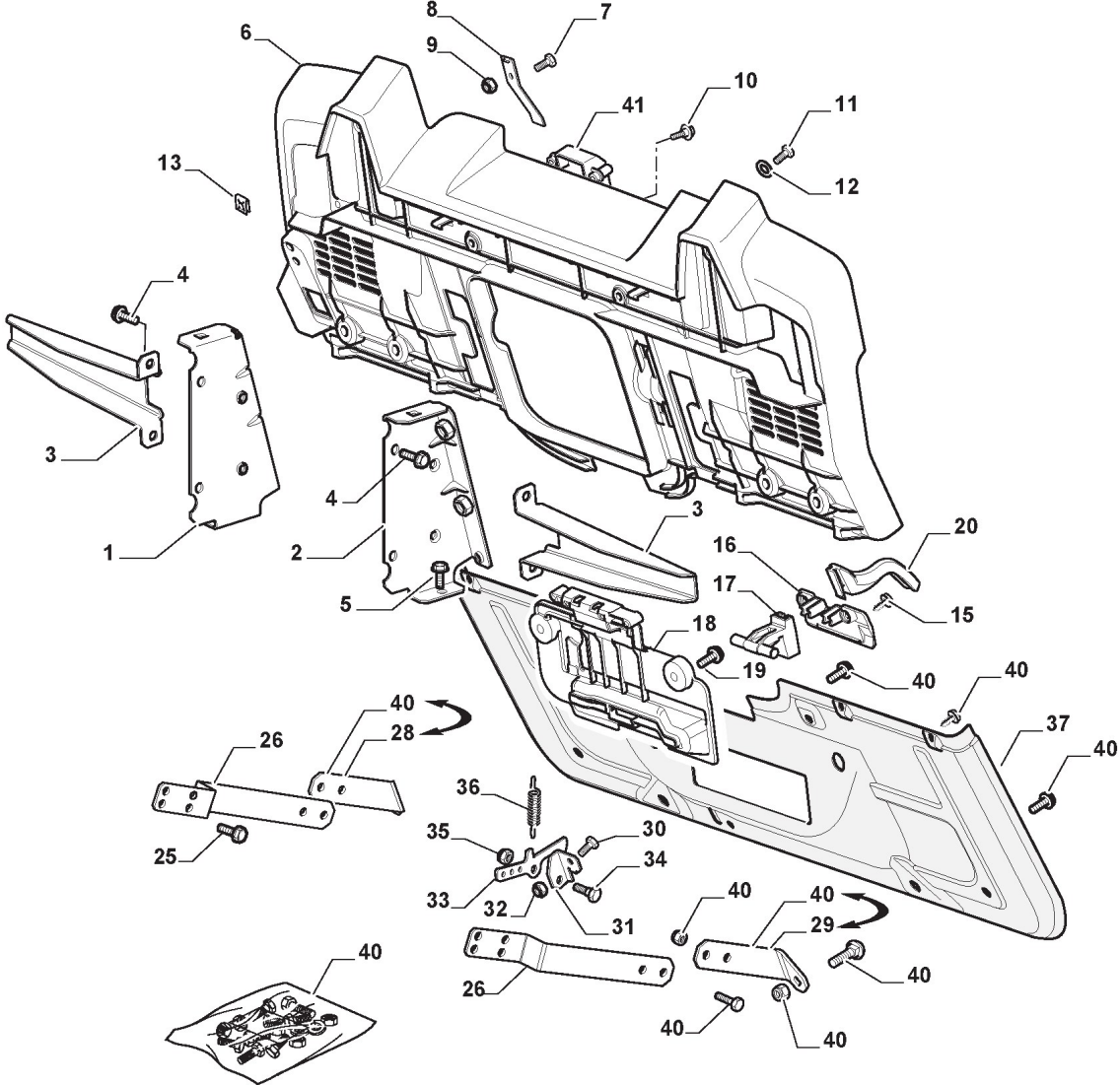


Illustration Chassis

Reference	Qty	Item number	Description	Notes	From	Up to
1	1	325774501/0	Clamp			
2	1	325774507/0	Clamp			
3	2	325650163/0	Stiffening			
4	8	125943009/0	Screw			
5	2	125943009/0	Screw			
6	1	325547299/0	Rear Plate, Upper Part			
7	1	112789008/0	Screw			
8	1	127430554/0	Spring	To 31-august-2013		
8	1	127430600/0	Spring	From 01-september-2013		
9	1	112154330/0	Nut			
10	4	125943010/0	Screw			
11	6	112789008/0	Screw			
12	6	112521320/0	Washer			
13	6	112437503/0	Plate			
15	2	112728686/0	Screw			
16	1	325109522/0	Protection Cover			
17	1	325318276/0	Gearshift			
18	1	325785400/0	Support	To 31-august-2012		
18	1	325785428/0	Support	From 01-september-2012		
19	2	125943010/0	Screw			
20	1	325318277/0	Lever			
25	4	125943009/0	Screw			
26	2	325774521/0	Clamp			
28	1	325650151/0	Stiffening			
29	1	325650153/0	Stiffening			
30	1	112789008/0	Screw			
31	1	325755061/0	Bracket			
32	1	112154330/0	Nut			
33	1	325774533/0	Clamp			
34	1	125510080/1	Pin	To 31-august-2015		
34	1	125510080/2	Pin	From 01-september-2015		
35	1	112154510/0	Nut			
36	1	125430282/0	Spring			
37	1	382547071/0	Rear Plate, Lower Part			
40	1	382180121/0	Outfit, Screws			
41	1	325600107/0	Micro Protection			

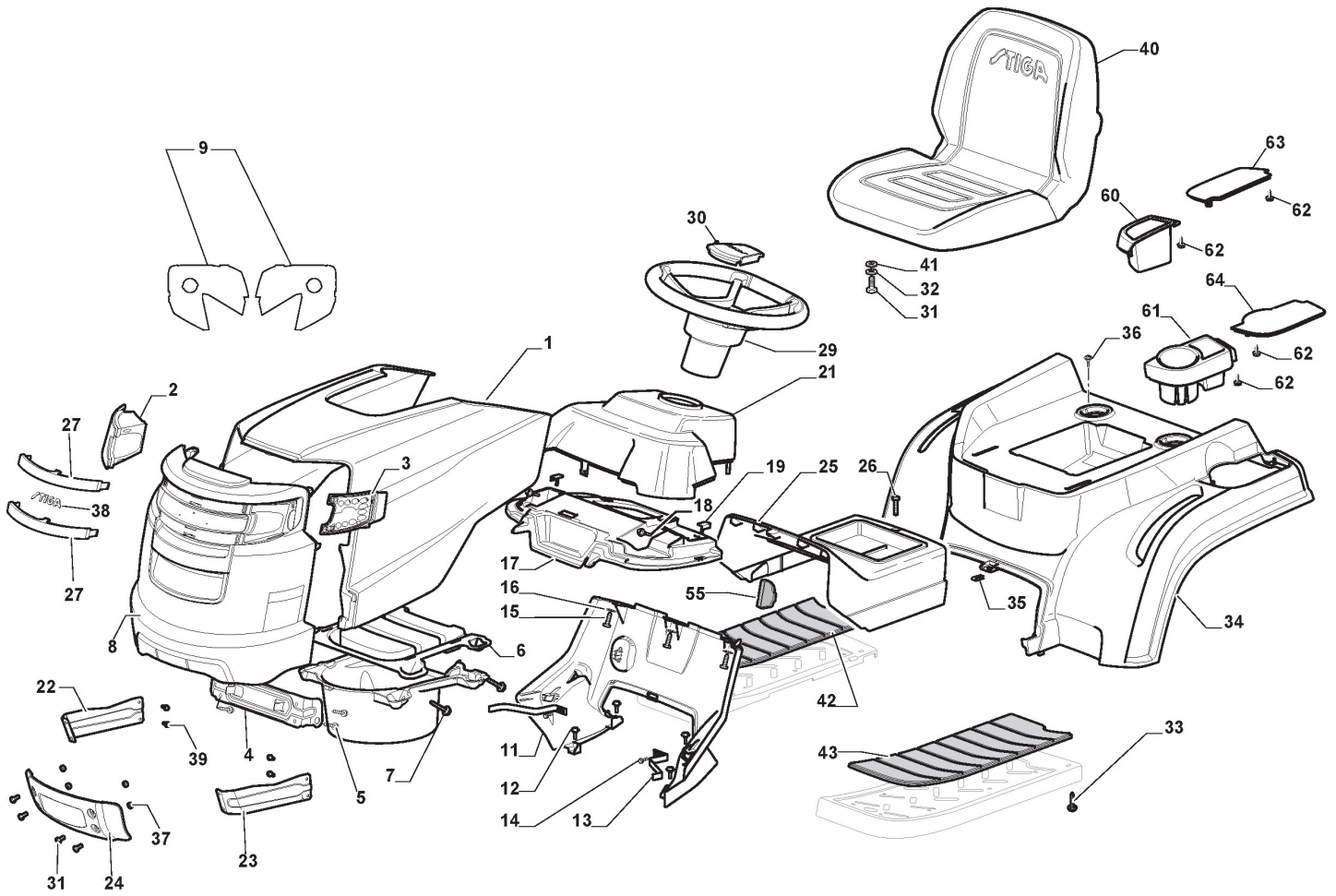


Illustration Body

Reference	Qty	Item number	Description	Notes	From	Up to
1	1	325076912/0	Engine Hood Yellow			
2	1	382185502/0	Right Led Light			
3	1	382185503/0	Left Led Light			
4	1	325785365/0	Engine Hood Support			
5	4	112735403/0	Screw			
6	1	325263310/0	Air Intake Grill			
7	4	112728692/0	Screw			
8	1	325076954/0	Frontal Hood			
9	1	114365477/0	Light Reflected Label	Only for Lamp Version		
11	1	325785298/0	Dashboard Support			
12	4	125943010/0	Screw			
13	2	325270325/0	Guide			
14	2	112735599/0	Screw			
15	3	112735406/0	Screw			
16	3	112523040/0	Washer			
17	1	325120209/0	Dashboard	To 31-august-2014		
17	1	325120259/0	Dashboard	From 01-september-2014		
17	1	325120259/1	Dashboard	To 31-august-2015 From 01-september-2015		
18	2	125943010/0	Screw			
19	2	325260003/0	Grommet			
21	1	325120203/0	Cover			
22	1	382785255/0	Right Support			
23	1	382785257/0	Left Support			
24	1	382263501/0	Bumper			
25	1	325110463/0	Grey Central Cover			
26	1	125943010/0	Screw			
27	2	325076955/0	Frontal Moulding			
29	1	325961221/1	Steering wheel			
30	1	325580508/0	Steering Plate Cover			
31	8	112792611/0	Screw			
32	4	112540260/0	Washer			
33	4	112735406/0	Screw			
34	1	325110438/0	Yellow Wheels Cover			
35	1	112437506/0	Plate			
36	2	125943010/0	Screw			
37	4	112155000/0	Nut			
38	1	114367494/2	Label STIGA logo			
39	2	112735599/0	Screw			
40	1	125722477/0	Seat			
41	4	112523060/0	Washer			
42	1	325110384/0	Right Footboard Cover			
43	1	325110385/0	Left Footboard Cover			
55	1	325207191/0	Plate			
60	1	325207198/0	Cover			
61	1	325207199/0	Cover			
62	4	112735105/0	Screw			

Illustration Body

Reference	Qty	Item number	Description	Notes	From	Up to
63	1	325207196/0	Cover			
64	1	325207197/0	Cover			

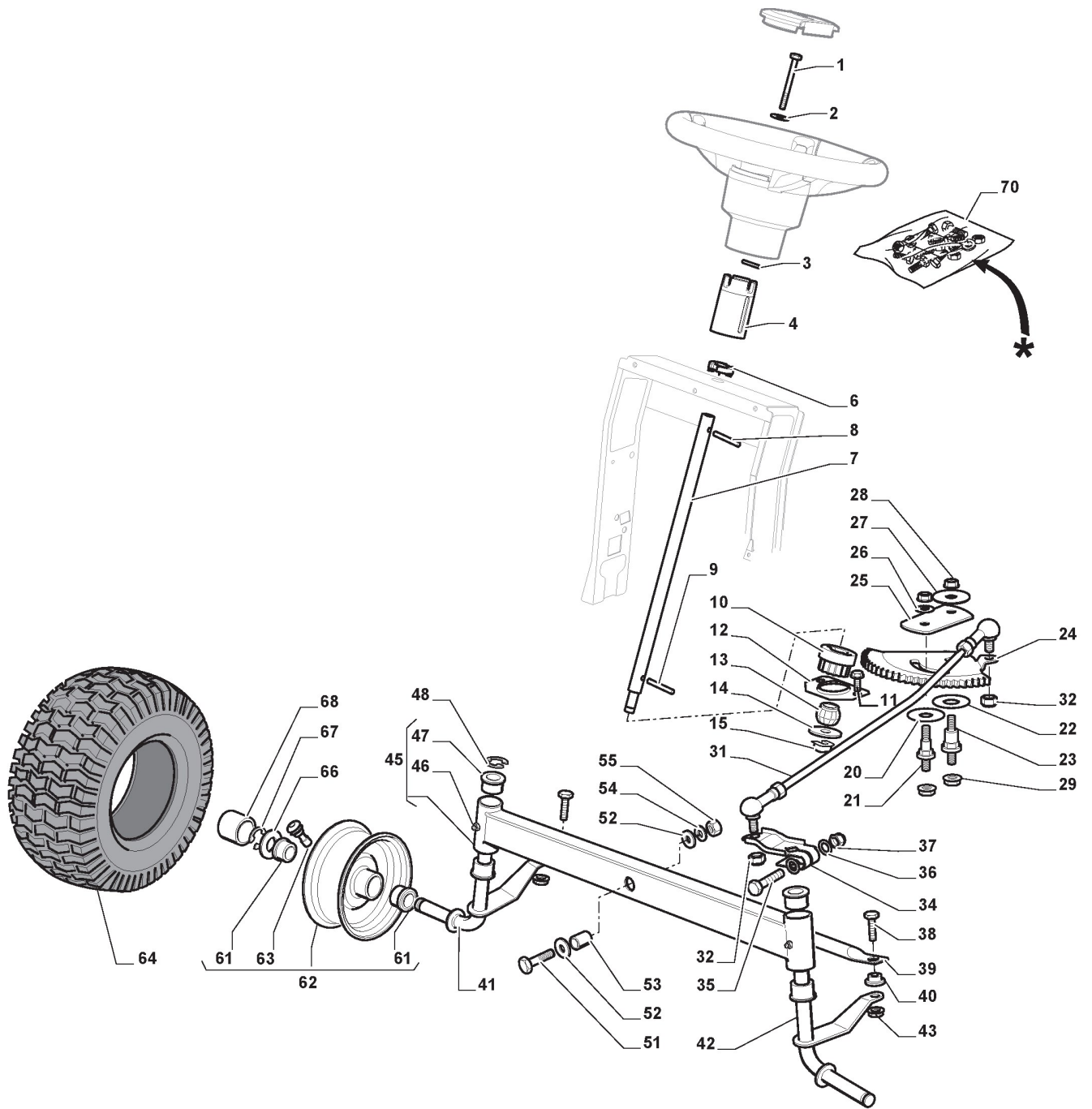


Illustration Steering

Reference	Qty	Item number	Description	Notes	From	Up to
1	1	112692050/0	Screw			
2	1	112540260/0	Washer			
3	1	112523070/0	Washer			
4	1	382785266/0	Support			
6	1	325038008/0	Bushing			
7	1	125520007/0	Steering Column			
8	1	112620300/0	Spring			
9	1	112622650/0	Dowel pin			
10	1	125570003/0	Pinion			
11	2	127943051/0	Screw			
12	1	325785213/1	Support			
13	1	325743000/0	Joint			
14	1	112521370/0	Washer			
15	1	112436030/0	Plate			
20	1	322672151/0	Antifriction Washer			
21	1	125510104/0	Pin			
22	1	125670023/0	Washer			
23	1	125510109/0	Pin			
24	1	325735519/0	Steering Sector			
25	1	325547233/0	Plate			
26	1	112369500/0	Elastic Washer			
27	1	122160400/0	Elastic Disc			
28	2	112155010/0	Nut			
29	2	112155010/0	Nut			
31	1	382000566/2	Steering Rod			
32	2	112156602/0	Nut			
34	1	325318243/0	Lever			
35	1	112692390/0	Screw			
36	2	112521360/0	Washer			
37	1	112156602/0	Nut			
38	2	125510103/0	Pin			
39	1	325840029/0	Tie Rod			
40	2	325038007/0	Bushing			
41	1	382230373/0	Right Stub Axle			
42	1	382230375/0	Left Stub Axle			
43	2	112155000/0	Nut			
45	1	382034030/0	Equalizer With Bush And Lubricator			
46	2	112379511/0	Grease Dispenser			
47	4	125034002/1	Bushing			
48	1	112001010/0	Benzing Ring			
51	1	112692695/0	Screw			
52	2	112523100/0	Washer			
53	1	125160016/0	Spacer	To 31-august-2013		
53	1	125160016/1	Spacer	From 01-september-2013		
54	1	112587100/0	Grower			

Illustration Steering

Reference	Qty	Item number	Description	Notes	From	Up to
55	1	112295300/0	Nut			
61	4	125122200/2	Bearing			
62	2	182000598/0	Rimm			
63	2	125950000/0	Valve			
64	2	125590018/0	Tyre 13x5.00-6 P512 WANDA	For Stiga Models		
64	2	125590019/0	Tyre 15x6.00-6 P512 WANDA	For other GGP Brand;From 01-september-2016		
64	2	125590020/0	Tyre 15x6.00-6 P519 WANDA	For Stiga Models		
64	2	127590066/0	Tyre 15x6.00-6 WANDA	For other GGP Brand;To 31-august-2016		
66	2	125670005/1	Washer	To 31-august-2014		
66	2	125670005/2	Washer	From 01-september-2014		
67	2	112001010/0	Benzing Ring			
68	2	322110240/0	Hub Cap			
70	1	382180124/0	Outfit, Screws			

Illustration Brake And Gearbox Controls

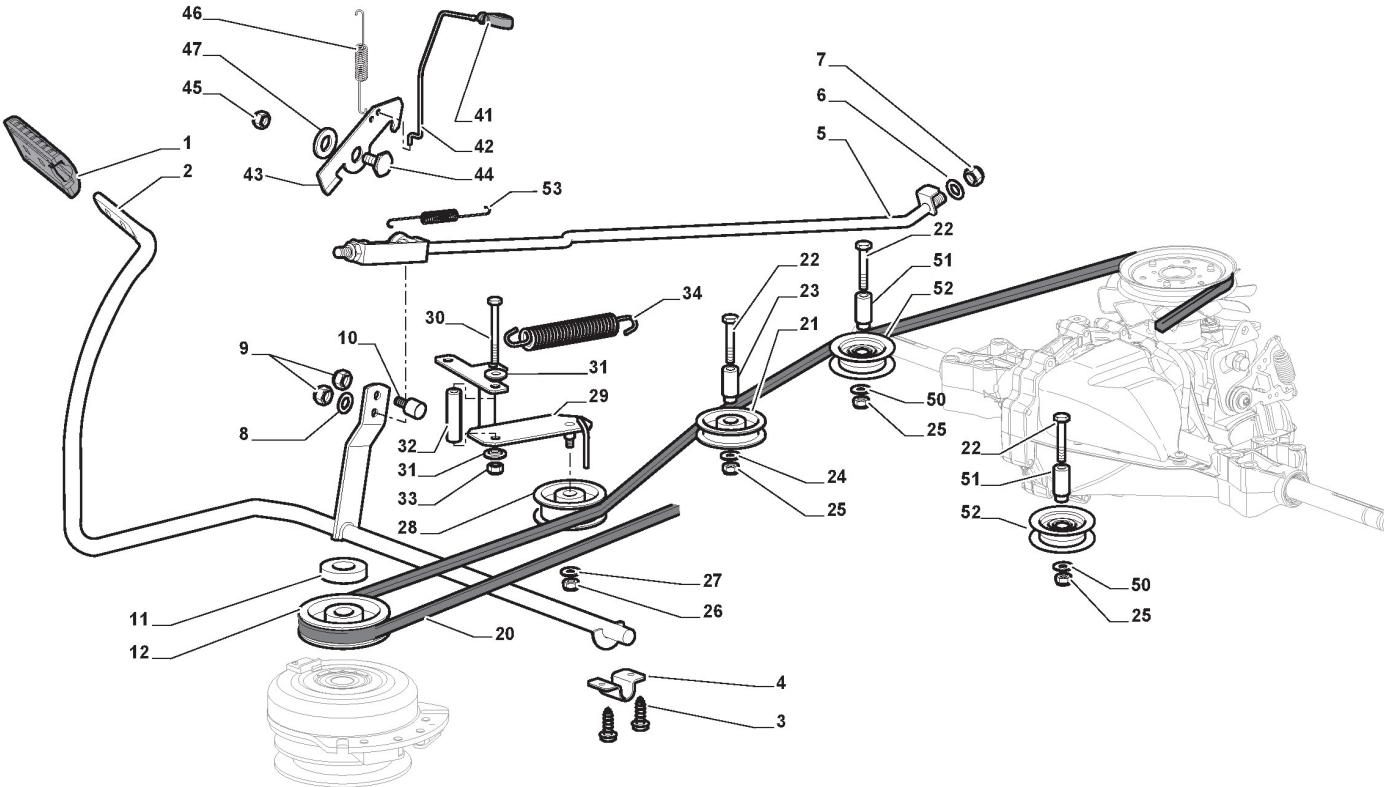


Illustration Brake And Gearbox Controls

Reference	Qty	Item number	Description	Notes	From	Up to
1	1	325110409/0	Clamp Cover			
2	1	382000641/0	Pedal			
3	4	112735599/0	Screw			
4	2	325547231/0	Plate			
5	1	382000636/0	Rod			
6	1	112521360/0	Washer			
7	1	112156602/0	Nut			
8	1	325670011/0	Antifriction Washer			
9	2	112155000/0	Nut			
10	1	125510116/0	Pin			
11	1	125160021/0	Spacer			
12	1	125601577/0	Pulley			
20	1	135062001/0	Trapezoidal Belt	To 31-august-2014		
20	1	135062020/1	Trapezoidal Belt	From 01-september-2014		
21	1	125601555/0	Pulley	To 31-august-2013		
21	1	325601599/0	Pulley	From 01-september-2013		
22	3	112691400/0	Screw			
23	1	125160051/0	Spacer	To 31-august-2013		
23	1	125160083/0	Spacer	From 01-september-2013		
24	3	112523060/0	Washer			
25	3	112155000/0	Nut			
26	1	112155000/0	Nut			
27	1	112523060/0	Washer			
28	1	125601554/0	Pulley			
29	1	382318245/0	Lever			
30	1	112691600/0	Screw			
31	2	125038002/1	Bushing	To 31-august-2016		
31	2	125038021/0	Bushing	From 01-september-2016		
32	1	125160027/0	Spacer			
33	1	112155000/0	Nut			
34	1	125430262/0	Spring			
41	1	125394509/1	Knob	From 01-september-2013		
41	1	325394534/0	Knob	To 31-august-2013		
42	1	125033083/0	Rod	To 31-august-2013		
42	1	125033113/0	Rod	From 01-september-2013		
43	1	325253011/1	Hook			
44	1	122524970/2	Fulcrum Pin	To 31-august-2014		
44	1	122524970/3	Pin	From 01-september-2014		
45	1	112155000/0	Nut			
46	1	125430213/0	Spring			
47	1	112523060/0	Washer			
50	2	112521350/0	Washer			
51	2	125160068/0	Spacer			
52	2	125601592/0	Pulley			
53	1	125430269/1	Spring			

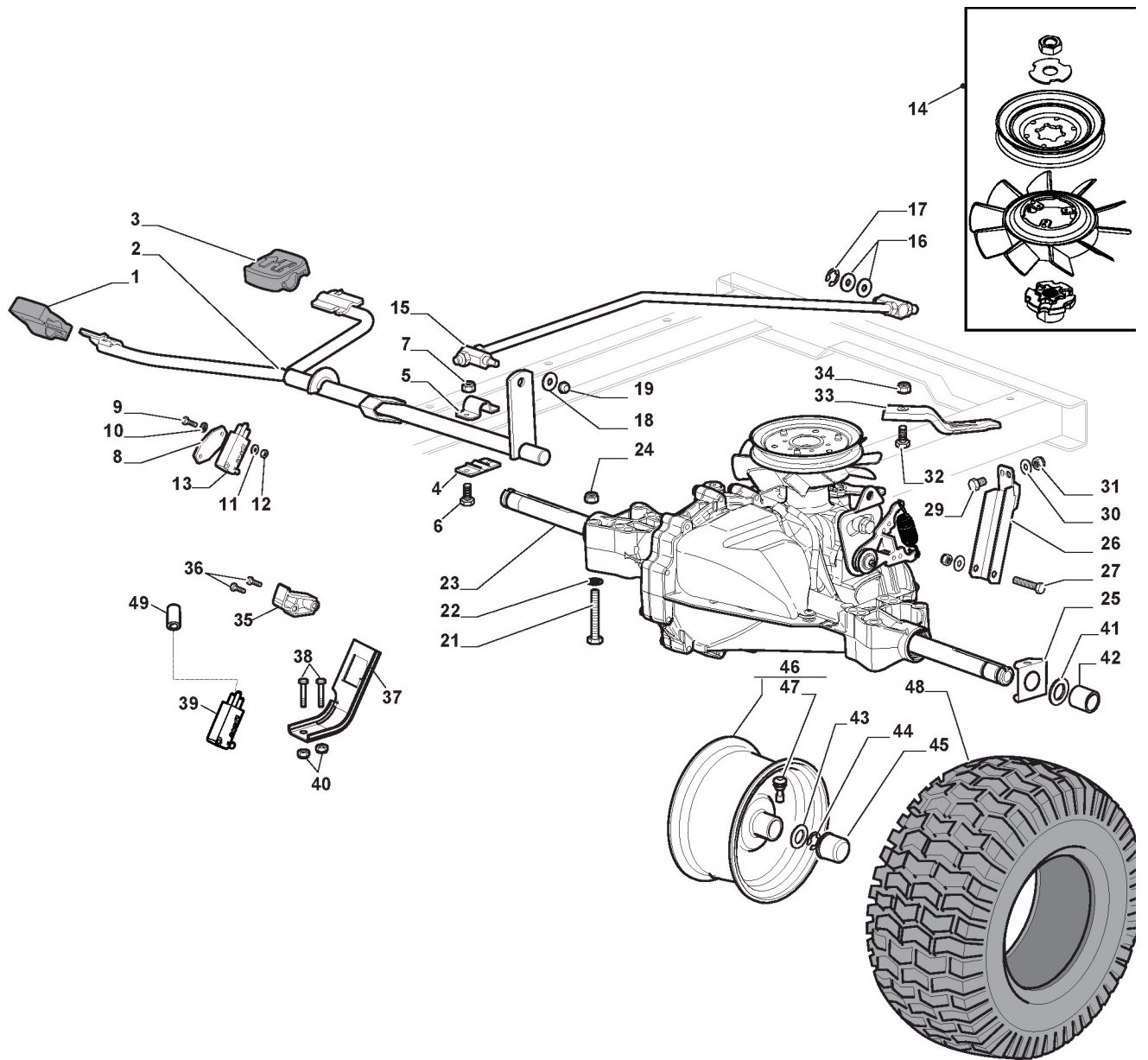


Illustration Transmission

Reference	Qty	Item number	Description	Notes	From	Up to
1	1	325110274/0	Clamp Cover Front			
2	1	382000574/2	Drive Pedal			
3	1	325110331/0	Clamp Cover Rear			
4	2	325785350/0	Support			
5	2	325547231/0	Plate			
6	4	112791213/1	Screw			
7	4	112154510/0	Nut			
8	1	327546019/0	Neutral Switch Fixing Plate			
9	2	112735602/0	Screw			
10	2	112540020/0	Washer			
11	2	112581100/0	Grower			
12	2	112290791/0	Nut			
13	1	119410609/1LC	Micro Switch			
14	1	1139-2201-01	Kit, Fan Pulley			
14	1	118802721/0	Fan Kit	To 31-august-2016		
15	1	382000573/1	Rod			
16	2	325670011/0	Antifriction Washer			
17	1	112000940/0	Benzing Ring			
18	1	112523040/0	Washer			
19	1	112154510/0	Nut			
21	4	112691600/0	Screw			
22	4	112521350/0	Washer			
23	1	118400921/0	Rear Axle (Hydro-Gear T2-Adbf-2X3C-1Rx1)			
24	4	112155000/0	Nut			
25	2	325670026/0	Washer			
26	1	325785349/1	Support			
27	1	112691700/0	Screw			
29	1	112792611/0	Screw			
30	2	112523060/0	Washer			
31	2	112155000/0	Nut			
32	1	112791213/1	Screw			
33	1	325318251/0	Lever			
40	2	112154510/0	Nut			
34	1	112154510/0	Nut			
36	2	112735403/0	Screw			
38	2	112791400/0	Screw			
39	1	119410614/0	Microswitch			
35	1	325060034/1	Cam			
37	1	325774573/0	Clamp			
41	2	125670005/2	Washer			
42	2	125160058/0	Spacer			
43	6	125670005/2	Washer			
44	2	112001010/0	Benzing Ring			
45	2	322110240/0	Hub Cap			
46	2	382000597/0	Rimm			

Illustration Transmission

Reference	Qty	Item number	Description	Notes	From	Up to
47	2	125950000/0	Valve			
48	2	125590022/0	Tyre 18x8.50-8 P519 WANDA	Specific for Stiga Models		
49	1	118203851/0	Cap			

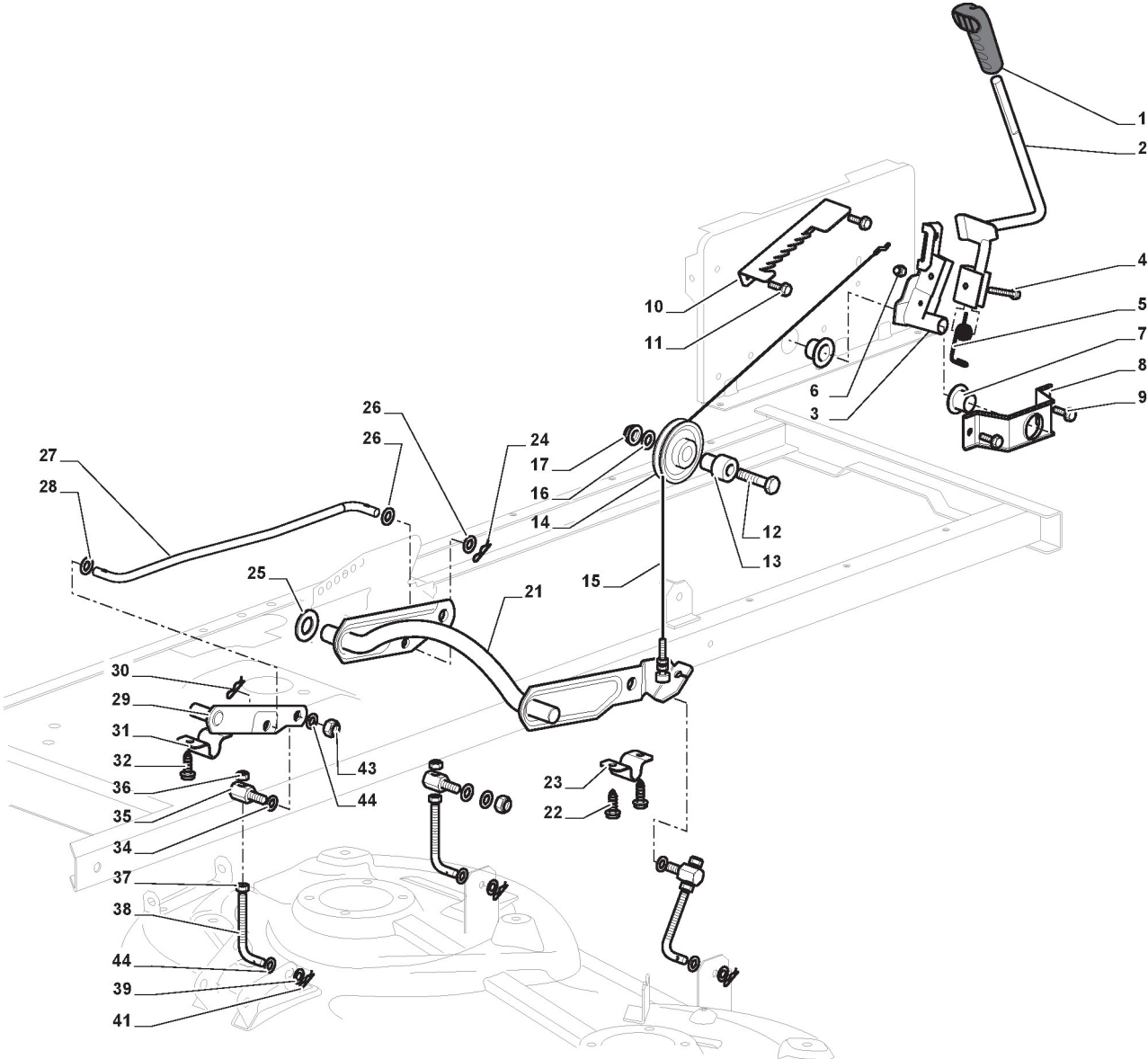


Illustration Cutting Plate Lifting

Reference	Qty	Item number	Description	Notes	From	Up to
1	1	325394533/0	Knob			
2	1	382318255/0	Lever			
3	1	382318231/0	Axle			
4	1	112674700/0	Screw			
5	1	125430261/0	Spring			
6	1	112154510/0	Nut			
7	2	325038006/0	Bushing			
8	1	325785297/0	Support			
9	2	125943009/0	Screw			
10	1	325735515/0	Steering Sector			
11	2	125943009/0	Screw			
12	1	112793701/0	Screw			
13	1	125040636/1	Bushing			
14	1	125601579/0	Pulley			
15	1	382004620/0	Wire			
16	1	112523060/0	Washer			
17	1	112293201/0	Nut			
21	1	382318297/0	Axle			
22	4	112735599/0	Screw			
23	2	325547231/0	Plate			
24	1	124487997/0	Cotter Pin			
25	2	112521390/0	Washer			
26	2	325670010/0	Antifriction Washer			
27	1	125033109/0	Connecting Rod			
28	1	325670010/0	Antifriction Washer			
29	1	382318293/0	Axle			
30	1	124487997/0	Cotter Pin			
31	1	325547231/0	Plate			
32	2	112735599/0	Screw			
34	3	325670008/1	Washer			
35	3	125510107/1	Pin			
36	3	112156602/0	Nut			
37	3	112295200/0	Nut			
38	3	125840012/0	Tie Rod			
39	3	325670008/1	Washer			
41	3	124487998/0	Cotter Pin			
43	3	112156602/0	Nut			
44	6	112521360/0	Washer			

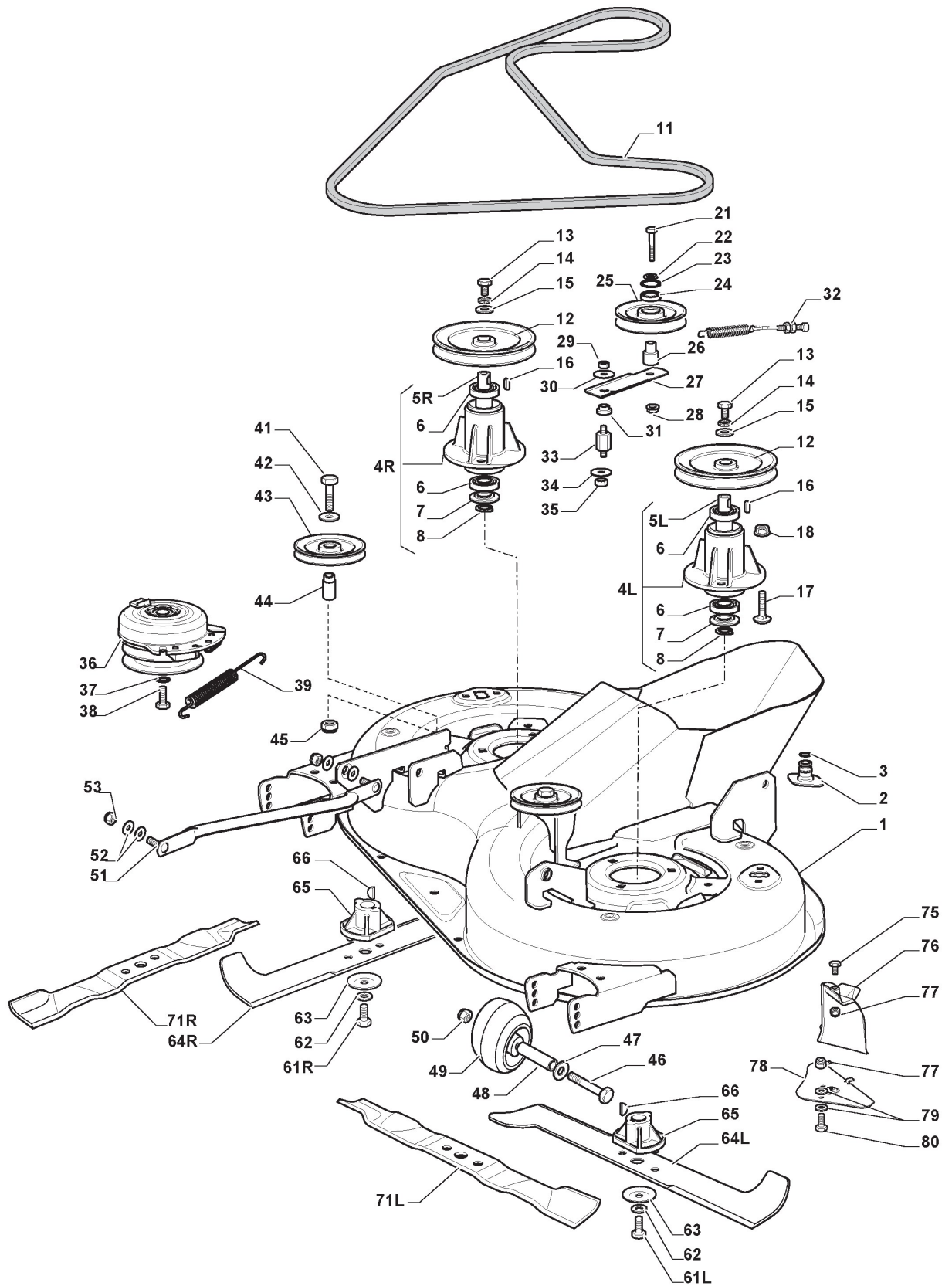


Illustration Cutting Plate

Reference	Qty	Item number	Description	Notes	From	Up to
1	1	382564113/0	Cutting Plate Black			
2	2	325033086/0	Water Hose Connection			
3	2	119035000/0	Or Ring			
4	1	382207204/1	Flange Assy	Pos. 4L;From		
4	1	382207205/0	Flange Assy	01-september-2016 Pos. 4R; To 31-august-2015		
4	1	382207205/1	Flange Assy	Pos. 4R;From		
4	1	382207206/0	Flange Assy	01-september-2015 Pos. 4L; To 31-august-2015		
4	1	382207206/1	Flange Assy	Pos. 4L;From		
5	1	125020804/0	Shaft	01-september-2015 To Pos. 5L		
5	1	125020805/0	Shaft	31-august-2016 Pos. 5R		
6	4	119216040/0	Bearing			
7	2	325160501/0	Dust Cover Disc			
8	2	112609260/0	Seeger			
11	1	135061508/0	Belt			
12	2	125601585/1	Pulley			
13	2	112793102/0	Screw			
14	2	112540260/0	Washer			
15	2	125670007/0	Washer			
16	2	112139480/0	Feather			
17	6	112818690/0	Screw			
18	6	112154210/0	Nut			
21	1	112691400/0	Screw			
22	1	112524010/0	Washer			
23	1	112610800/0	Seeger			
24	1	119216041/0	Bearing	To 31-august-2015		
24	1	119216048/0	Bearing	From 01-september-2015		
25	1	125601595/0	Pulley			
26	1	125160052/0	Spacer			
27	1	325318289/0	Lever			
28	1	112293201/0	Nut			
29	1	112155020/0	Nut			
30	1	125670022/0	Washer			
31	1	125040635/0	Bushing			
32	1	382004618/0	Wire			
33	1	125160049/0	Spacer			
34	1	112523080/0	Washer			
35	1	112156602/0	Nut			
36	1	118399069/0	Electromagnetic Clutch			
37	1	112543000/0	Washer			
38	1	112737320/0	Screw			
39	1	125430277/0	Spring			
41	2	112691115/0	Screw			
42	2	112523060/0	Washer			
43	2	125601555/0	Pulley	To 31-august-2013		
43	2	325601599/0	Pulley	From 01-september-2013		
44	2	125160069/0	Spacer	To 31-august-2013		

Illustration Cutting Plate

Reference	Qty	Item number	Description	Notes	From	Up to
44	2	125160082/0	Spacer		From 01-september-2013	
45	2	112155000/0	Nut			
46	2	112692100/0	Screw			
47	2	112523060/0	Washer			
48	2	125160072/0	Spacer			
49	2	182700005/0	Anti Scalp Wheel Ø 90			
50	2	112293201/0	Nut			
51	2	382000565/0	Equalizer Rod	To 31-august-2016		
51	2	382000565/1	Equalizer Rod	From 01-september-2016		
52	8	325670008/1	Washer			
53	4	112156602/0	Nut			
61	1	112735694/0	Screw	Pos. 61L		
61	1	112735695/1	Screw	Pos. 61R		
62	2	112523080/0	Washer			
63	2	122160400/0	Elastic Disc			
64	1	182004358/0	Right Blade, Winged	Pos. 64R - Winged		
64	1	182004359/0	Left Blade, Winged	Pos. 64L - Winged		
65	2	125463200/0	Blade Hub			
66	2	112139100/0	Key			
71	1	182004360/0	Right Mulching Blade	Pos. 71R - Mulching		
71	1	182004361/0	Left Mulching Blade	Pos. 71L - Mulching		
75	3	112791213/1	Screw			
76	1	325140108/0	Deflector			
77	4	112154510/0	Nut			
78	1	325785418/0	Support			
79	4	112523040/0	Washer			
80	1	112790781/0	Screw			

Illustration Belt Protections

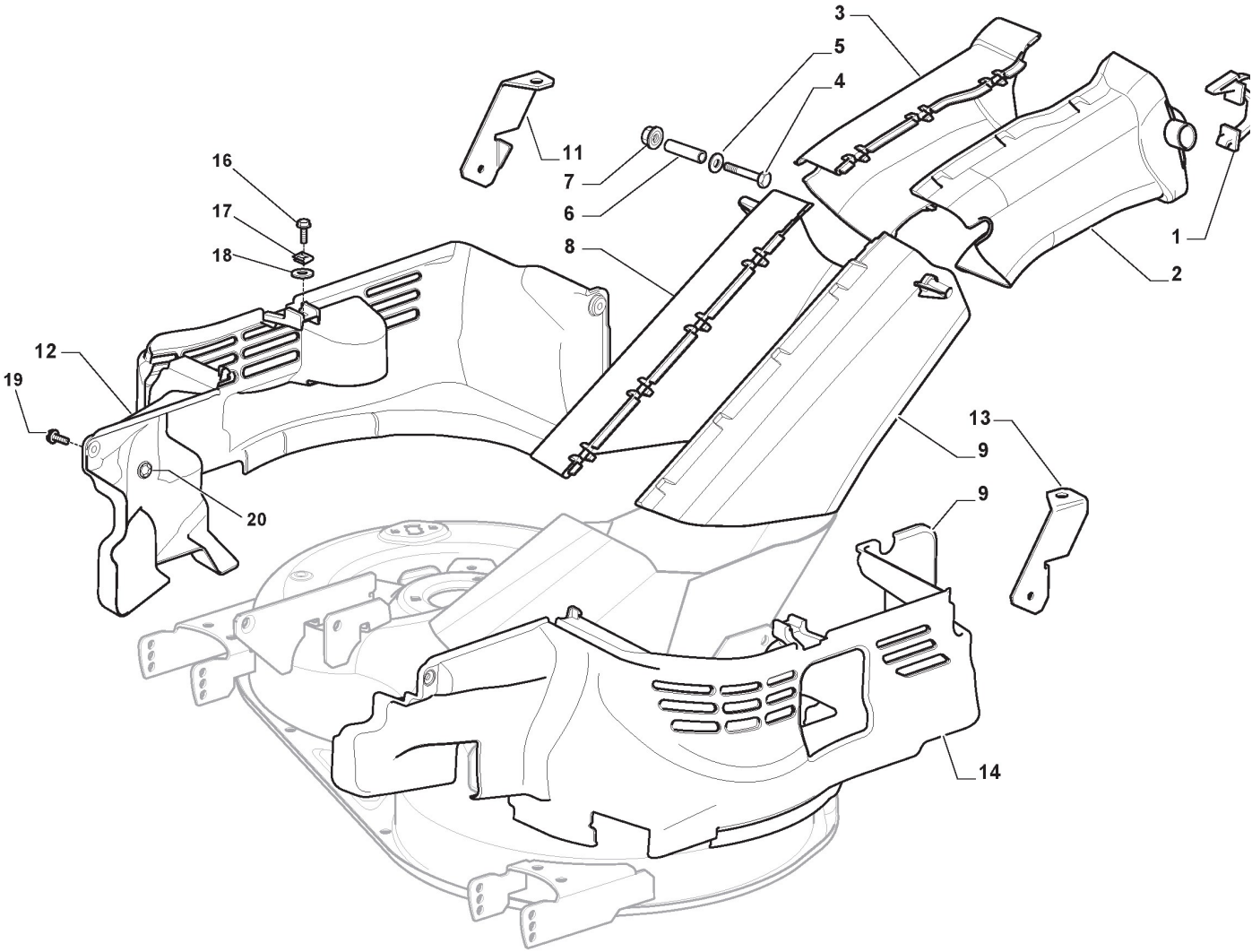


Illustration Belt Protections

Reference	Qty	Item number	Description	Notes	From	Up to
1	2	325774499/0	Clamp			
2	1	325108057/0	Conveyor			
3	1	325108056/0	Conveyor			
4	2	112792425/0	Screw			
5	2	112521340/0	Washer			
6	2	125160071/0	Spacer			
7	2	112154510/0	Nut			
8	1	325108064/0	Conveyor			
9	1	325108065/0	Conveyor			
11	1	325774527/0	Clamp			
12	1	325060168/0	Case			
13	1	325774529/0	Clamp			
14	1	325060169/0	Case			
16	2	112789008/0	Screw			
17	2	112437503/0	Plate			
18	2	112523020/0	Washer			
19	4	125943011/0	Screw			
20	4	112604899/0	Crown Fastener			

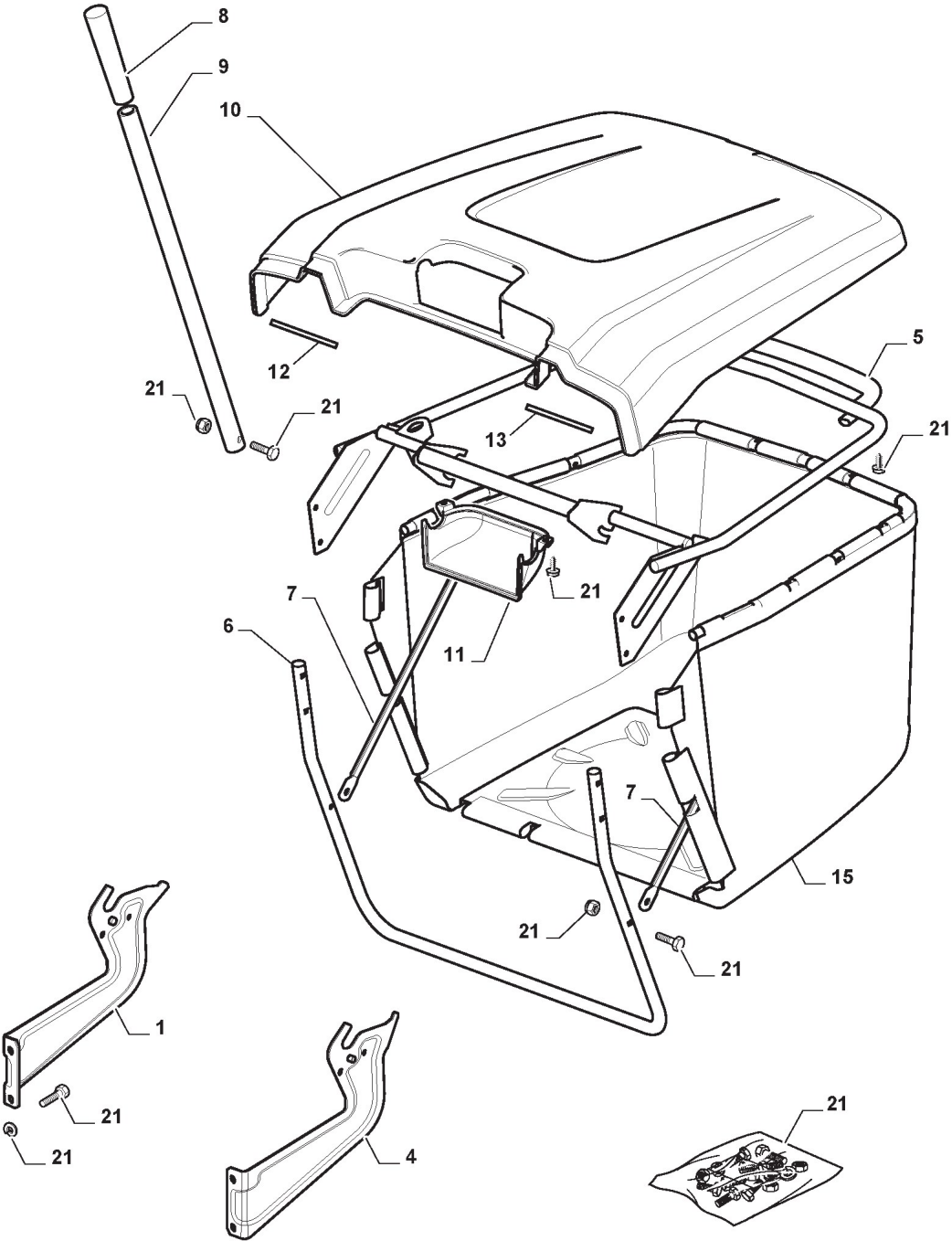


Illustration Grasscatcher

Reference	Qty	Item number	Description	Notes	From	Up to
1	1	325785377/0	Support			
4	1	325785383/0	Support			
5	1	382800139/0	Upper Frame			
6	1	382800141/0	Front Frame			
7	2	325650149/0	Stiffening			
8	1	125394508/0	Knob			
9	1	325869087/0	Rod			
10	1	325110439/0	Yellow Grass-Catcher Cover			
11	1	325207195/0	Handle Cover			
12	1	125270802/0	Seal			
13	1	125270803/0	Seal			
15	1	182105947/0	Grasscatcher			
21	1	382180123/0	Outfit, Screws			

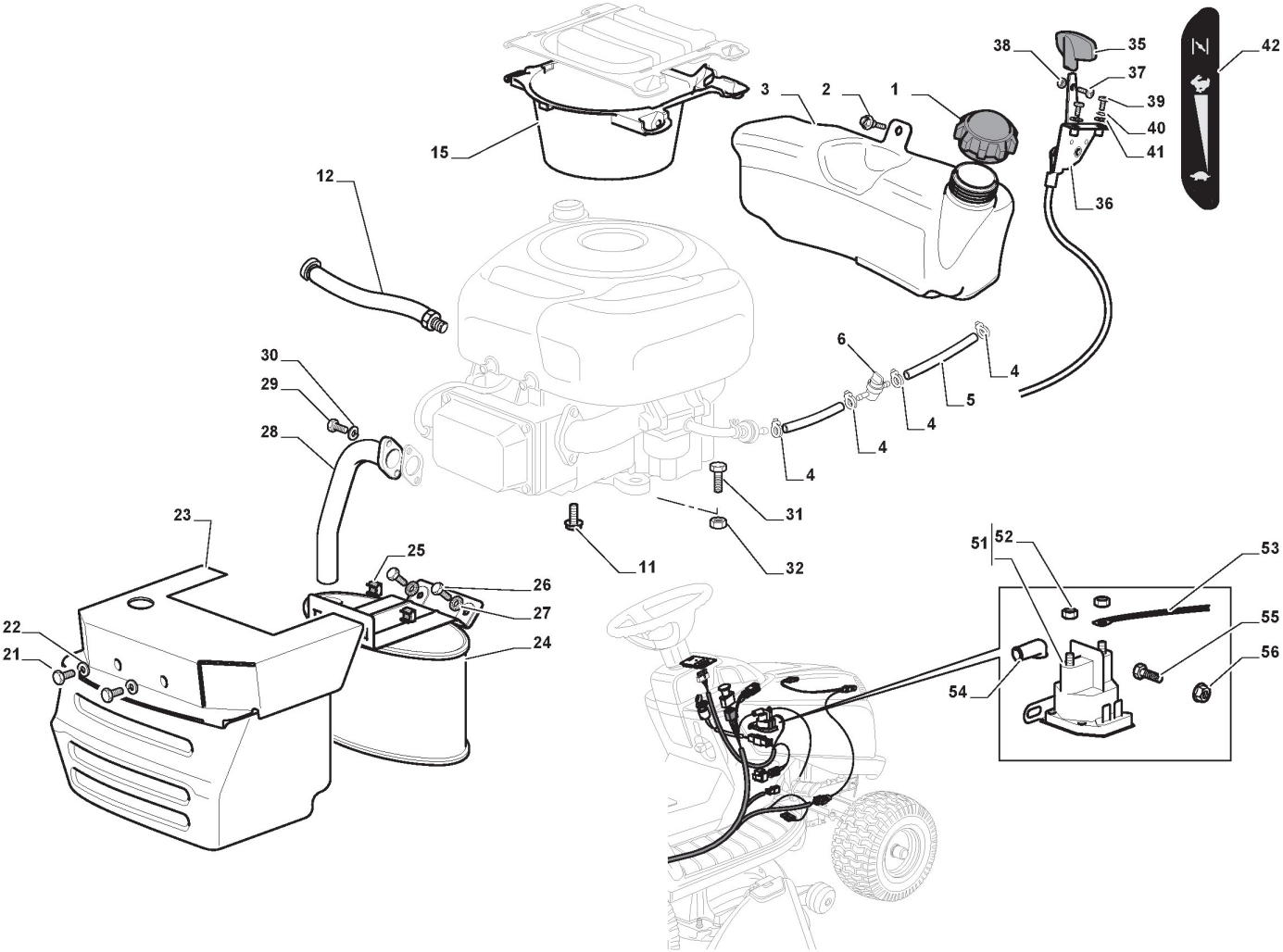


Illustration Engine - B&S

Reference	Qty	Item number	Description	Notes	From	Up to
1	1	125795001/1	Cap			
2	4	125943010/0	Screw			
3	1	325735126/0	Fuel Tank			
4	4	118375051/1	Fair Led			
5	1	325869057/0	Connecting Tube			
6	1	118562996/0	Shut out valve			
11	3	112735108/1	Screw			
12	1	1134-5827-01	Oil Drain Assy			
15	1	325108044/1	Conveyor			
21	2	112792611/0	Screw			
22	2	112540260/0	Washer			
23	1	382598047/0	Muffler Protection			
24	1	182750010/0	Muffler			
25	2	112360425/0	Nut			
26	2	112792611/0	Screw			
27	2	112540260/0	Washer			
28	1	118738224/0	Exhaust Conn. Tube			
29	2	112737450/0	Screw			
30	2	112540260/0	Washer			
31	1	112735108/1	Screw			
32	3	112154210/0	Nut			
35	1	325394531/0	Knob			
36	1	182000216/0	Accelerator			
37	1	112726389/0	Screw			
38	1	112290800/0	Nut			
39	2	112726389/0	Screw			
40	2	112540020/0	Washer			
41	2	112521310/0	Washer			
42	1	114363697/0	Label			
51	1	118736111/0	Starter Relay	To 31-august-2015		
51	1	118736112/0	Solenoid	From 01-september-2015		
52	2	112360352/0	Nut	To 31-august-2015		
52	2	112361005/0	Nut	From 01-september-2015		
53	1	125065002/0	Cable			
54	1	118564864/1	Protection			
55	1	112790781/0	Screw			
56	2	112154510/0	Nut			

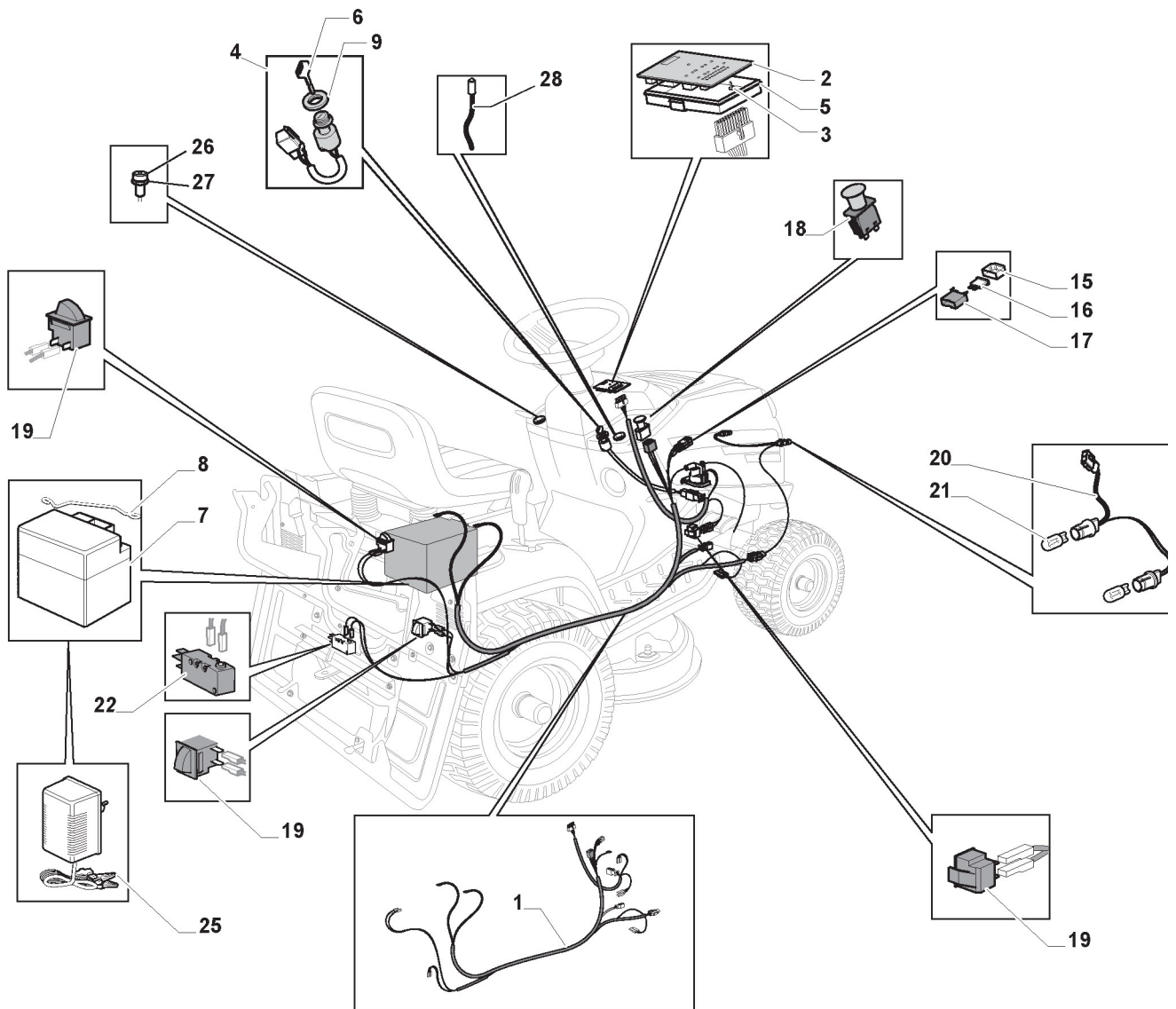


Illustration Electrical Parts

Reference	Qty	Item number	Description	Notes	From	Up to
1	1	182040199/0	Cables Ass.Y	Hydro Model with		
1	1	182040199/1	Cables Ass.Y	B&S-GGP-Kawaski		
1	1	182040200/0	Cables Ass.Y	Hydro Model with		
2	1	382722444/0	Electronic Card	Engine, To 31-august-2016		
2	1	382722444/1	Electronic Card	B&S-GGP-Kawaski		
3	3	112735101/0	Screw	Hydro Model with Honda		
4	1	118450075/1	Starting Switch	Engine, From		
5	1	325600090/0	Card Protection	01-september-2015		
5	1	325600090/1	Card Protection	From 01-september-2015		
6	1	118210023/0	Starting Key			
7	1	118120002/1	Battery			
8	1	125430265/1	Spring			
9	1	118400863/0	Screwed Ring			
15	2	133215000/0	Cover			
16	1	133340036/0	Fuse 25 A			
16	1	133340040/0	Fuse 10 A			
17	2	133500007/0	Fuse Carrier			
18	1	118450074/0	Clutch Switch			
19	3	119410613/0	Microswitch			
20	1	182040191/0	Cables Ass.Y			
21	2	118459100/0	Lamp For Lights			
22	1	119410605/1	Microswitch			
25	1	182180090/0	Battery Charger 12V 1A - CE Plugg	CE Plugg		
26	1	325605003/0	Button			
27	2	325256250/0	Screwed Ring			
28	1	182040174/0	Led Wiring Assy			

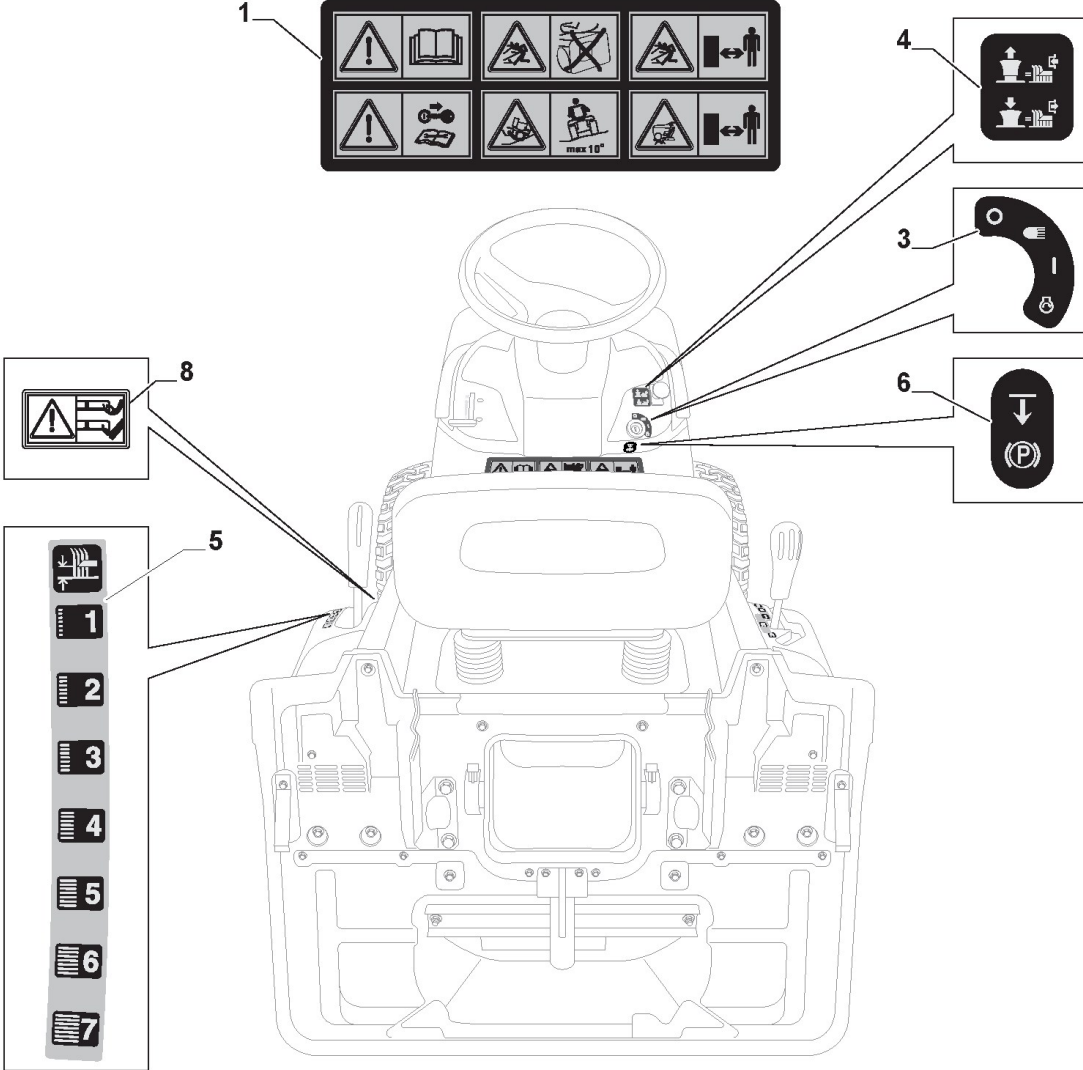


Illustration Labels

Reference	Qty	Item number	Description	Notes	From	Up to
1	1	114361553/1	Label			
3	1	114363699/0	Label			
4	1	114361438/0	Label			
5	1	114363701/0	Label	To 31-august-2014		
5	1	114366142/0	Label	From 01-september-2014		
6	1	114363700/0	Label			
8	1	114356699/1	Label			

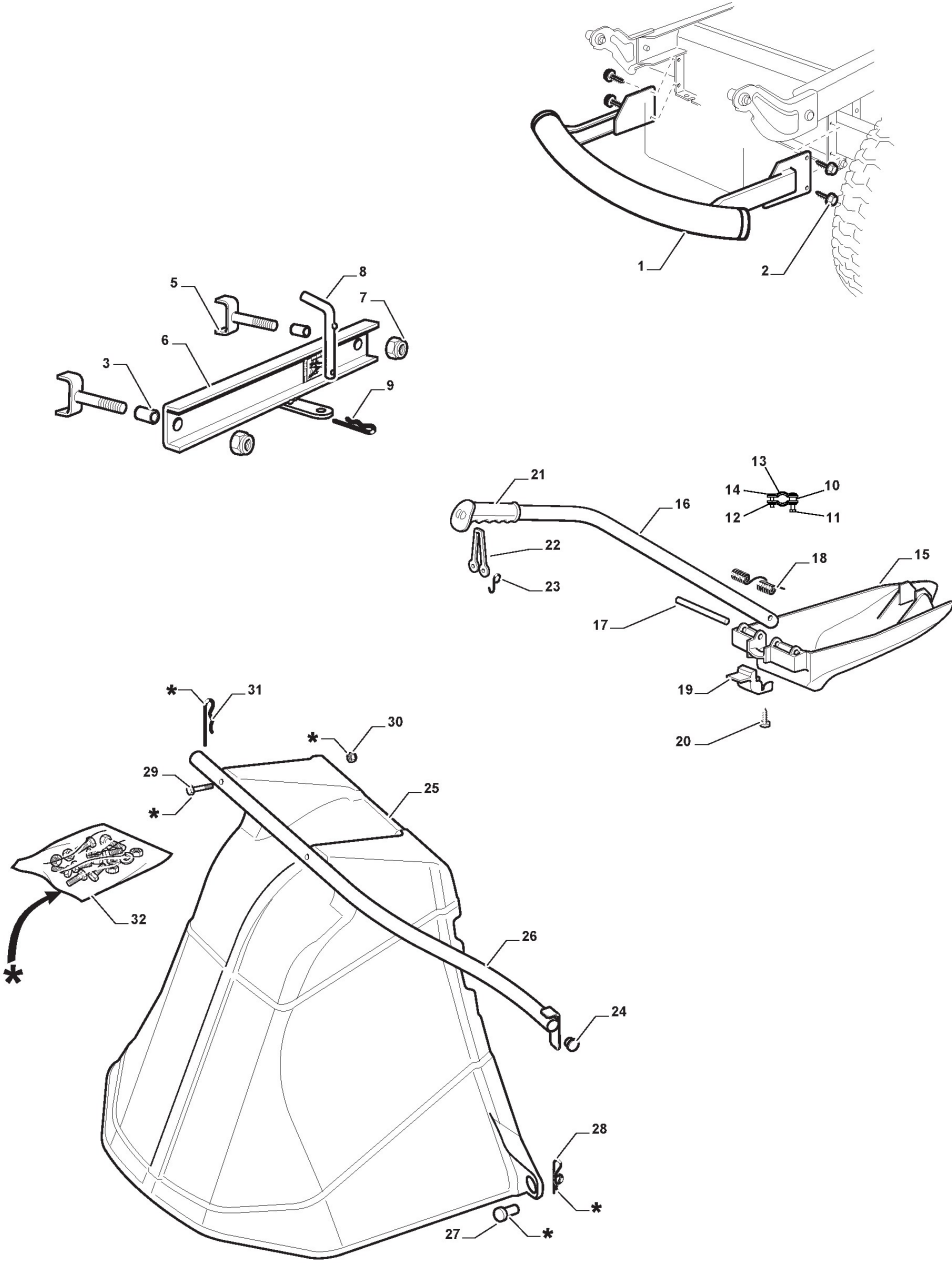


Illustration Optionals On Request

Reference	Qty	Item number	Description	Notes	From	Up to
1	1	382869038/0	Muffler Protection			
2	4	125943008/0	Screw			
3	2	125160074/0	Spacer			
5	2	382650211/0	Stiffening			
6	1	382033119/0	Tow Bar Assy			
7	2	112155000/0	Nut			
8	1	125510021/1	Hitch Pin			
9	1	124487999/0	Spring Pin			
10	1	122170600/0	Spacer			
11	1	112792099/0	Screw			
12	3	112292102/0	Nut			
13	2	327546015/2	Plate			
14	1	112791400/0	Screw			
15	1	325140104/0	Deflector	To 31-august-2013		
15	1	325140104/1	Deflector	From 01-september-2013		
16	1	325394021/0	Handle			
17	1	125510077/0	Pin			
18	1	125430245/0	Spring			
19	1	325547320/0	Plate			
20	1	112735403/0	Screw			
21	1	325280000/1	Handgrip			
22	1	125840011/1	Tie Rod			
23	2	125253004/0	Mulch.Kit Fixing Hook			
24	2	118566112/0	Polyethylene Push Road Ivars D=20inch			
25	1	325600093/0	Ejection Guard	To 31-august-2017		
25	1	325600093/1	Ejection Guard	From 01-september-2017		
26	1	382869044/0	Support			
27	2	125510022/1	Pin			
28	2	124487998/0	Cotter Pin			
29	2	112689515/0	Screw			
30	2	112154510/0	Nut			
31	1	124487999/0	Spring Pin			
32	1	382180028/0	Outfit, Screws			



Estate 2084 —1

Estate 3098 H —7

Estate 2084 H —2

Estate 3398 H —8

Estate 3084 —3

Estate 3084 H —4

Estate 3384 H —5

Illustration Labels

Reference	Qty	Item number	Description	Notes	From	Up to
1	2	114368436/0	Label	Estate 2084		
2	2	114368997/0	Label	Estate 2084H		
3	2	114368437/0	Label	Estate 3084		
4	2	114368438/0	Label	Estate 3084H		
5	2	114368439/0	Label	Estate 3384H		
6	3	114367494/2	Label STIGA logo			
7	2	114369212/0	Label	Estate 3098 H		
8	2	114369282/0	Label	Estate 3398 H		

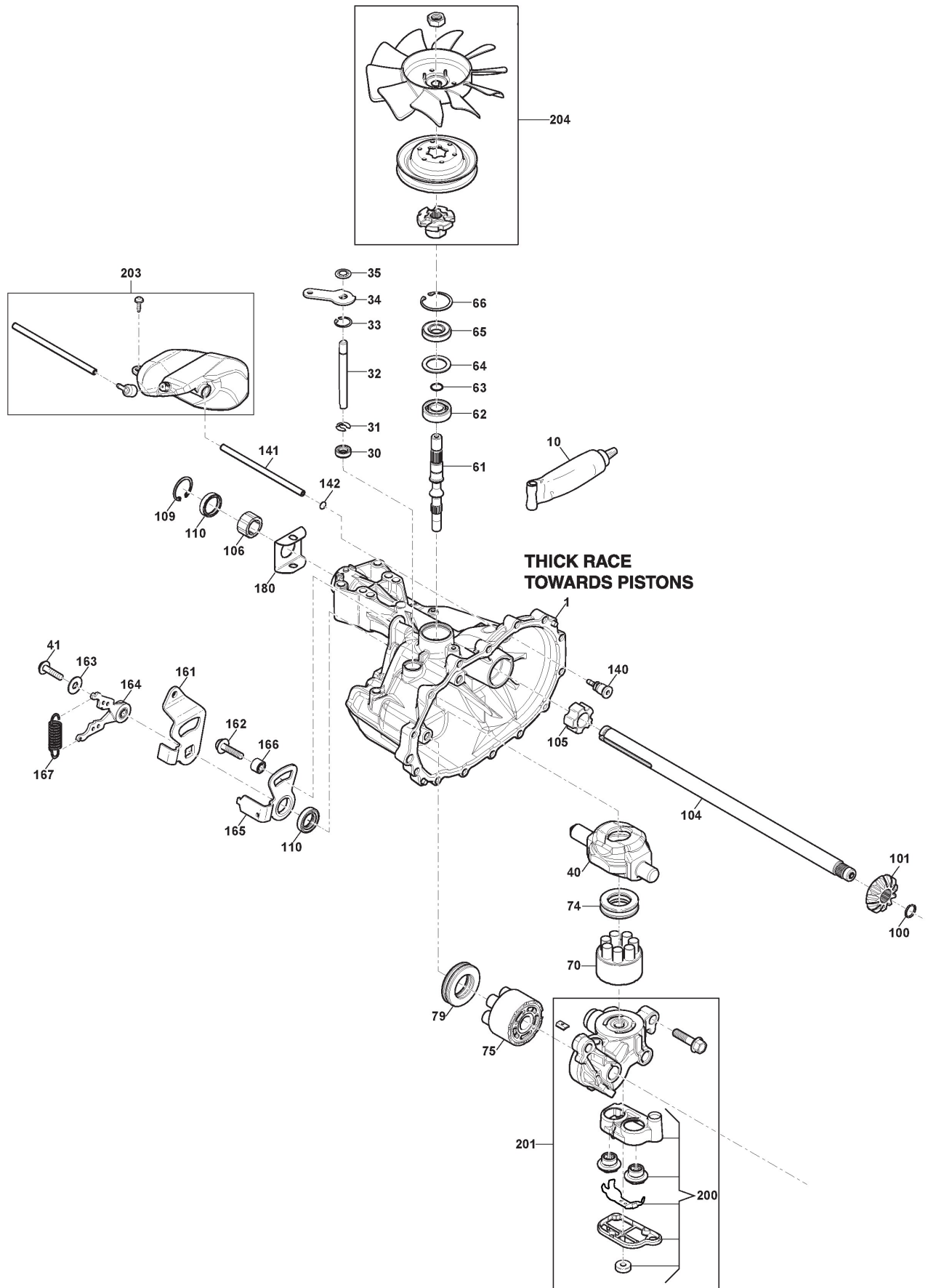


Illustration Transmission

Reference	Qty	Item number	Description	Notes	From	Up to
1	1	118870120/0	Main Housing			
10	1	1139-2022-01	Sealant			
30	1	118870079/0	Seal			
31	1	118870081/0	Retaining ring			
32	1	1139-2203-01	Rod			
33	1	118870080/0	Retaining ring			
34	1	118870091/0	Arm			
35	1	118870082/0	Retaining ring			
40	1	118870090/0	Swashplate			
41	1	118870083/0	Screw			
61	1	118870092/0	Shaft			
62	1	1139-2001-01	Ball Bearing			
63	1	1139-2003-01	Wire Retaining Ring			
64	1	1139-2004-01	Spacer			
65	1	1139-2000-01	Lip Seal			
66	1	1139-2002-01	Retaining Ring			
70	1	118870125/0	Pump Block Assy			
74	1	118870093/0	Bearing			
75	1	1139-2063-01	Cylinder Block			
79	1	1139-2021-01	Thrust Bearing			
100	1	118870072/0	Retaining ring			
101	1	118870063/0	Gear			
104	1	118870113/0	Shaft			
105	1	118870086/0	Bushing			
106	1	118870085/0	Bushing			
109	1	118870084/0	Retaining ring			
110	2	1139-2204-01	Shaft			
140	1	1139-2038-01	Fitting			
141	1	118870102/0	Tube			
142	1	1139-2075-01	O-Ring			
161	1	118870103/0	Arm			
162	1	1139-2026-01	Bolt			
163	1	1139-2011-01	Flat washer			
164	1	118870107/0	Arm Assy			
165	1	118870108/0	Arm			
166	1	118870104/0	Bushing			
167	1	118870089/0	Spring			
180	1	118870112/0	Plate			
200	1	118870123/0	Kit-Filter			
201	1	118870127/0	Center Section Kit			
203	1	118870122/0	Kit-Expansion Tank			
204	1	1139-2201-01	Kit, Fan Pulley			

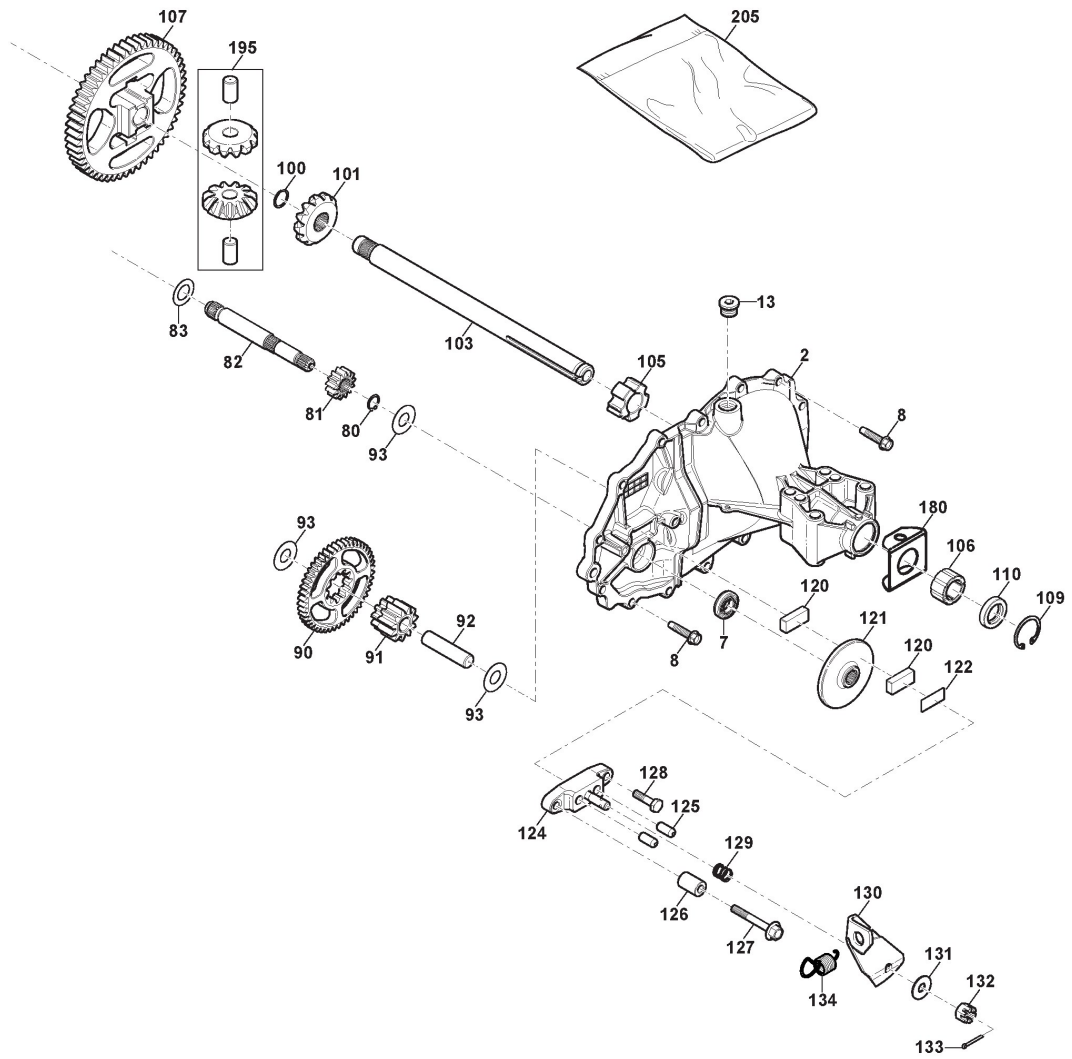


Illustration Transmission

Reference	Qty	Item number	Description	Notes	From	Up to
2	1	118870121/0	Side Housing			
7	1	118870111/0	Seal			
8	14	1139-2042-01	Screw			
13	1	1139-2010-01	Plug			
80	1	118870070/0	Retaining ring			
81	1	118870094/0	Gear			
82	1	118870095/0	Shaft			
83	1	118870096/0	Washer			
90	1	118870097/0	Gear			
91	1	118870098/0	Gear			
92	1	118870099/0	Pin			
93	3	1139-2016-01	Washer			
100	1	118870072/0	Retaining ring			
101	1	118870063/0	Gear			
103	1	118870114/0	Shaft			
105	1	118870086/0	Bushing			
106	1	118870085/0	Bushing			
107	1	118870100/0	Gear			
109	1	118870084/0	Retaining ring			
110	1	1139-2204-01	Shaft			
120	2	118870066/0	Brake Pad			
121	1	118870101/0	Brake			
122	1	118870067/0	Brake Pad Support			
124	1	118870119/0	Brake Caliper			
125	2	118870069/0	Pin			
126	1	118870062/0	Spacer			
127	1	118870077/0	Screw			
128	1	118870071/0	Bolt			
129	1	118870076/0	Spring			
130	1	118870088/0	Brake Lever			
131	1	1139-2011-01	Flat washer			
132	1	118870068/0	Nut			
133	1	118870065/0	Pin			
134	1	118870078/0	Spring			
180	1	118870112/0	Plate			
195	1	118870126/0	Kit-Gears and Pins			
205	1	118870124/0	Kit-Seal			