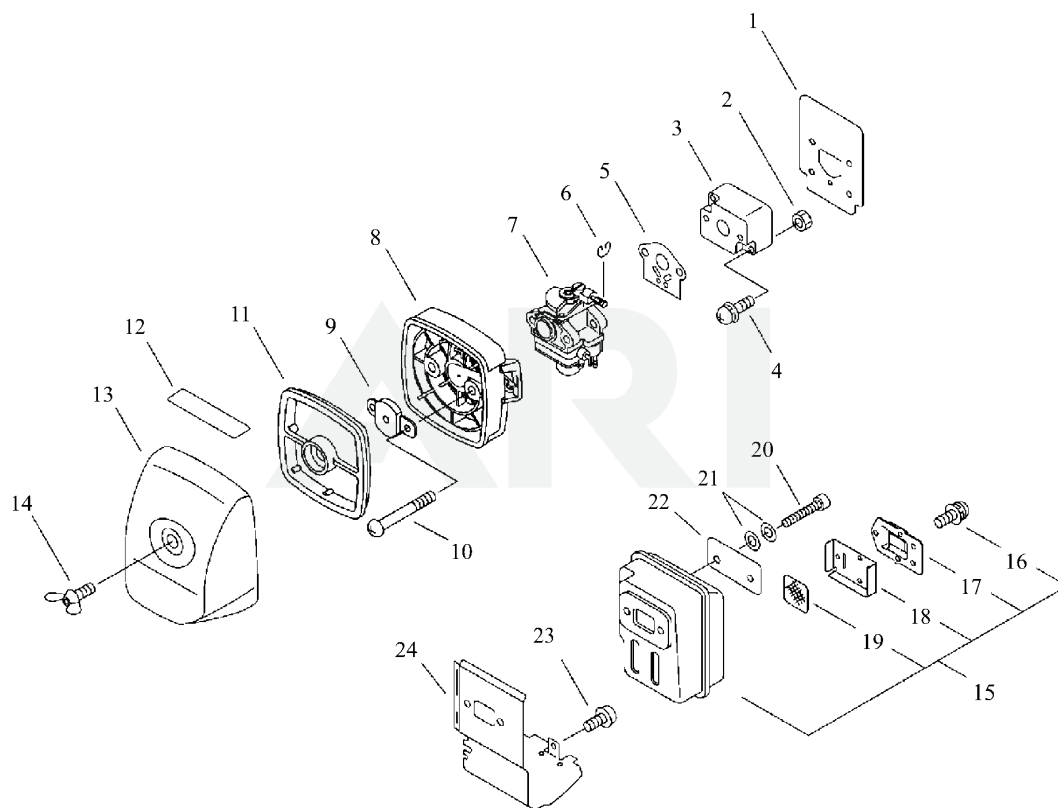


SRM-220ES\_37\_37000001

# TABLE OF CONTENTS

Air Cleaner,Carburetor,Muffler(Sr/Nr 37007220 and befor) .....	3
Air Cleaner,Carburetor,Muffler(Sr/Nr 37007221 and after) .....	6
Blade Shield (U) .....	9
Carburetor(Sr/Nr 37007220 and befor) .....	11
Carburetor(Sr/Nr 37007221 and after) .....	14
FUEL TANK .....	17
Handle (U)(Sr/Nr 37007221 and after) .....	19
Cylinder,Crankcase,Piston .....	22
Handle (L)(Sr/Nr 37007221 and after) .....	24
Handle (U)(Sr/Nr 37007220 and befor) .....	27
Handle (L)(Sr/Nr 37007220 and befor) .....	30
Gear Case (U) .....	33
Blade Shield (L) .....	35
Starter .....	37
Magneto,Fan Cover,Clutch .....	39
Gear Case (L) .....	41
Repair Kit .....	44

Air Cleaner,Carburetor,Muffler(Sr/Nr 37007220 and befor)



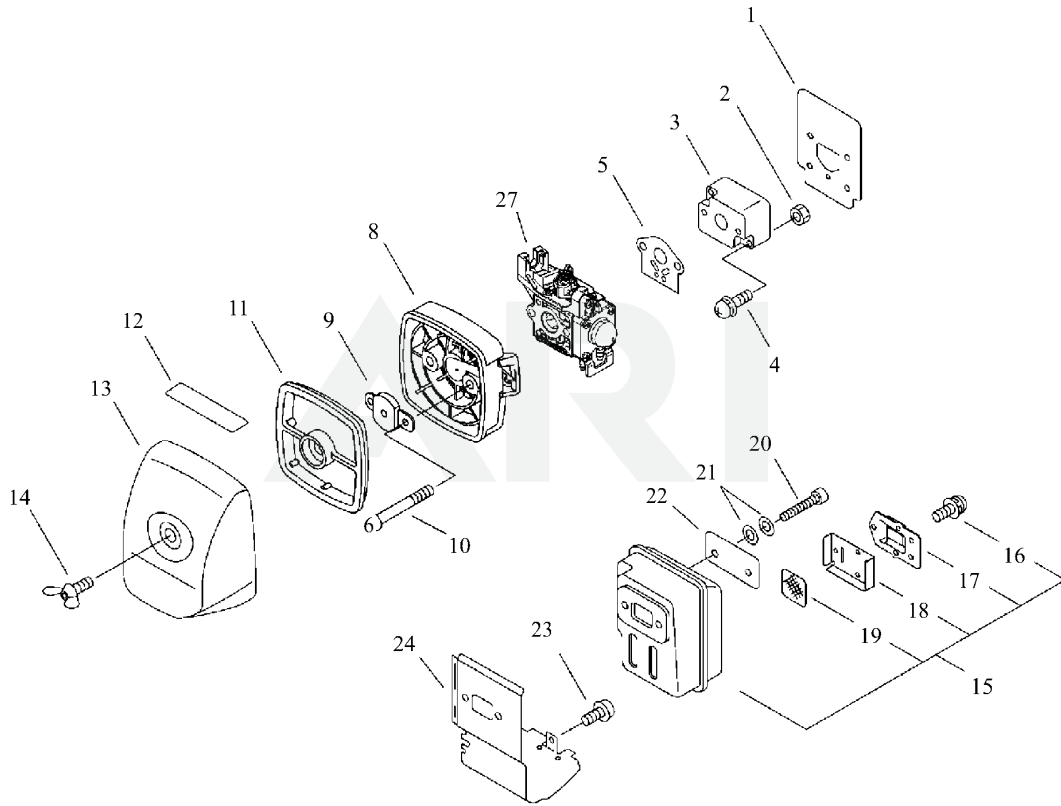
Rendered by ARI Network Services, Inc.

## Air Cleaner,Carburetor,Muffler(Sr/Nr 37007220 and befor)

<b>Ref Number</b>	<b>Part Number</b>	<b>Part Description</b>	<b>Context Notes</b>	<b>Quantity</b>
1	130010-42032	GASKET,INTAKE	GASKET,INTAKE	1
2	900500-00005	NUT	NUT 5	2
3	130017-44330	INSULATOR	INSULATOR	1
4	900238-05020	SCREW	SCREW 5*20	2
5	130010-13410	GASKET, INTAKE	GASKET, INTAKE	1
6	100015-00120	CIRCLIP, PISTON PIN	CIRCLIP, PISTON PIN	1
7	A021-001460	CARBURETOR,DIAPHRAGM	CARBURETOR,DIAPHRAGM	1
8	P021-004480	CASE, AIR CLEANER	CASE, AIR CLEANER	1
9	129011-52730	PLATE, PREVENT	PLATE, PREVENT	1
10	900220-05065	SCREW	SCREW 5*65	2
11	130310-54130	FILTER, AIR	FILTER, AIR	1
12	890332-52730	LABEL, CHOKE	LABEL, CHOKE	1
13	130313-05863	LID, AIR CLEANER	LID, AIR CLEANER	1
14	210417-52730	BOLT, WING	BOLT, WING	1
15	P021-008100	MUFFLER ASY	MUFFLER ASY	1
16	91367-04010	SCREW	SCREW	5
17	A313-000600	GUIDE,EXH	GUIDE,EXH	1
18	V104-000360	GASKET,EXHAUST	GASKET,EXHAUST	1
19	145862-40630	SCREEN, MUFFLER	SCREEN, MUFFLER	1

<b>Ref Number</b>	<b>Part Number</b>	<b>Part Description</b>	<b>Context Notes</b>	<b>Quantity</b>
20	900105-05055	BOLT HSH	BOLT, H.S. 5*55	2
21	V347-000000	WASHER, CONICAL	WASHER, CONICAL	4
22	V150-000371	PLATE, EYE	PLATE, EYE	1
23	91121-04008	BOLT HSH, FLANGE	BOLT, FLANGE	1
24	V104-000500	GASKET, EXHAUST	GASKET, EXHAUST	1

Air Cleaner, Carburetor, Muffler (Sr/Nr 37007221 and after)



Rendered by ARI Network Services, Inc.

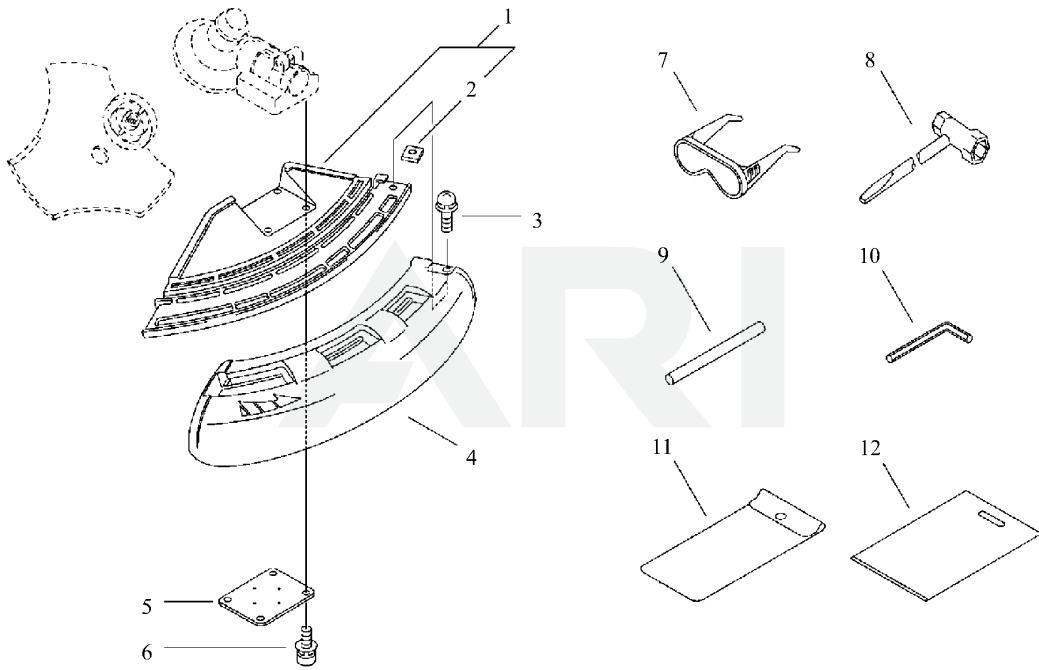
## Air Cleaner,Carburetor,Muffler(Sr/Nr 37007221 and after)

<b>Ref Number</b>	<b>Part Number</b>	<b>Part Description</b>	<b>Context Notes</b>	<b>Quantity</b>
1	130010-42032	GASKET,INTAKE	GASKET,INTAKE	1
2	900500-00005	NUT	NUT 5	2
3	130017-44331	INSULATOR	INSULATOR	1
4	900238-05022	SCREW	SCREW 5*22	2
5	130010-13410	GASKET, INTAKE	GASKET, INTAKE	1
27	A021-001690	CARBURETOR,DIAPHRAGM	CARBURETOR,DIAPHRAGM	1
8	P021-004480	CASE, AIR CLEANER	CASE, AIR CLEANER	1
9	129011-52730	PLATE, PREVENT	PLATE, PREVENT	1
10	900220-05065	SCREW	SCREW 5*65	2
11	130310-54130	FILTER, AIR	FILTER, AIR	1
12	890332-52730	LABEL, CHOKE	LABEL, CHOKE	1
13	130313-05863	LID, AIR CLEANER	LID, AIR CLEANER	1
14	210417-52730	BOLT, WING	BOLT, WING	1
15	P021-008100	MUFFLER ASY	MUFFLER ASY	1
16	91367-04010	SCREW	SCREW	5
17	A313-000600	GUIDE,EXH	GUIDE,EXH	1
18	V104-000360	GASKET,EXHAUST	GASKET,EXHAUST	1
19	145862-40630	SCREEN, MUFFLER	SCREEN, MUFFLER	1
20	900105-05055	BOLT HSH	BOLT, H.S. 5*55	2

<b>Ref Number</b>	<b>Part Number</b>	<b>Part Description</b>	<b>Context Notes</b>	<b>Quantity</b>
21	V347-000000	WASHER, CONICAL	WASHER, CONICAL	4
22	V150-000371	PLATE, EYE	PLATE, EYE	1
23	91121-04008	BOLT HSH, FLANGE	BOLT, FLANGE	1
24	V104-000500	GASKET, EXHAUST	GASKET, EXHAUST	1



# Blade Shield (U)

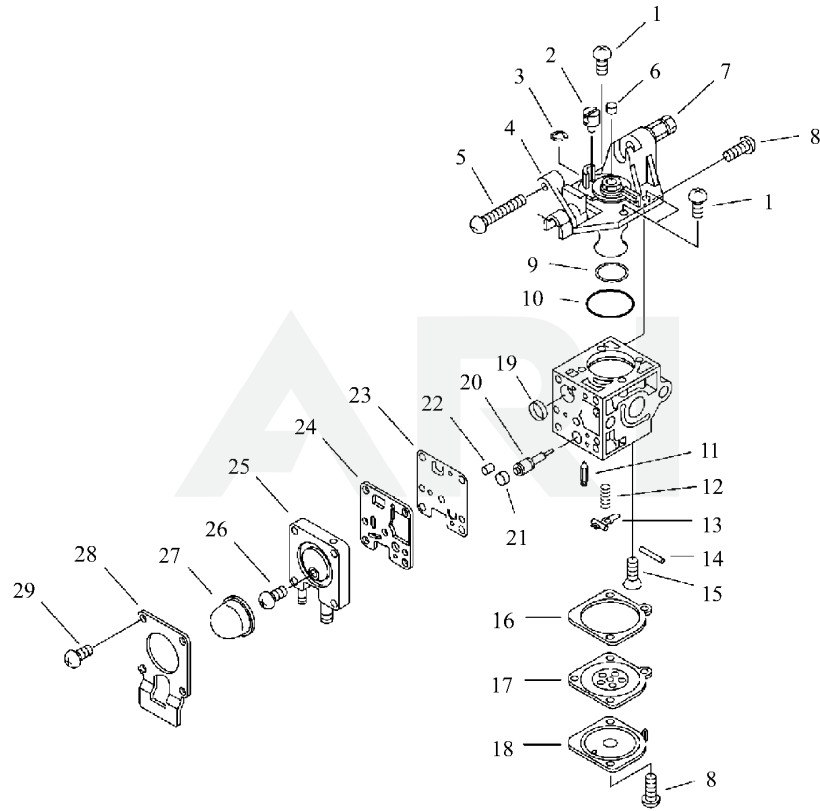


Rendered by ARI Network Services, Inc.

## Blade Shield (U)

<b>Ref Number</b>	<b>Part Number</b>	<b>Part Description</b>	<b>Context Notes</b>	<b>Quantity</b>
1	C550-000100	SHIELD, BLADE	SHIELD, BLADE	1
2	900565-00005	NUT, SQUARE	NUT	1
3	900242-05018	SCREW	SCREW 5*18	1
4	C550-000090	SHIELD, BLADE	SHIELD, BLADE	1
5	699013-56830	PLATE, SHIELD	PLATE, SHIELD	1
6	91118-05025	BOLT HSH	BOLT	4
7	P021-002861	GOGGLES	GOGGLES	1
8	895410-02830	WRENCH, W/S. DRIVER	WRENCH, W/S. DRIVER	1
9	X606-000080	TOOL, BAR	TOOL, BAR	1
10	895610-00130	L-WRENCH (4MM)	L-WRENCH (4MM)	1
11	898510-39130	BAG, TOOL	BAG, TOOL	1
12	X698-000040	TOOL, CASE	TOOL, CASE	1

Carburetor(Sr/Nr 37007220 and befor)



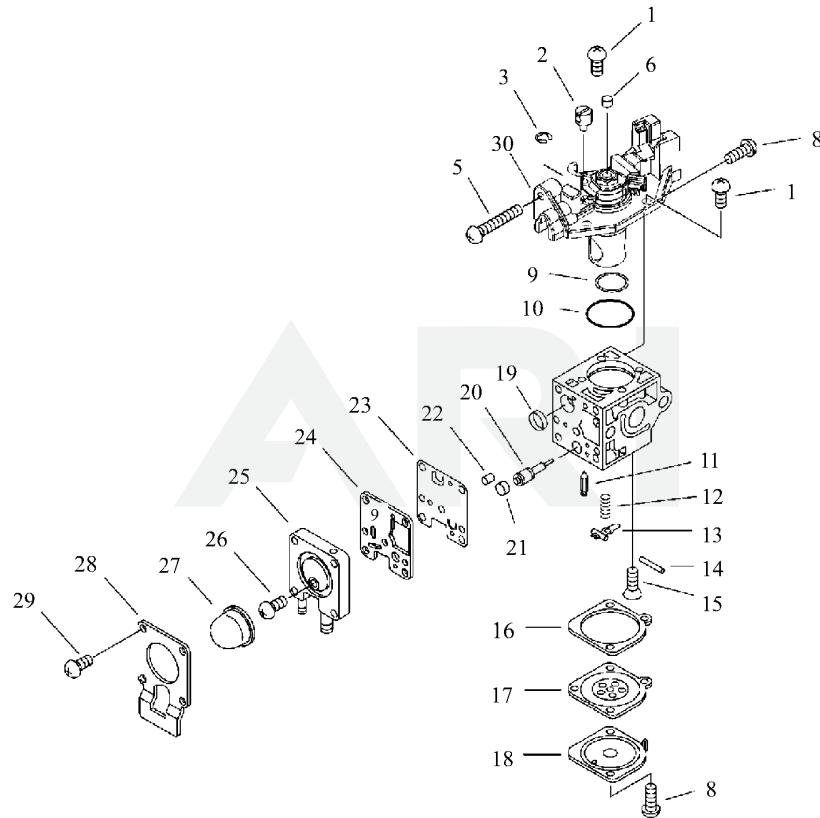
Rendered by ARI Network Services, Inc.

## Carburetor(Sr/Nr 37007220 and befor)

<b>Ref Number</b>	<b>Part Number</b>	<b>Part Description</b>	<b>Context Notes</b>	<b>Quantity</b>
	A021-001460	CARBURETOR,DIAPHRAGM	CARBURETOR,DIAPHRAGM	1
1	125344-13931	SCREW	SCREW	3
2	P005-001240	POST	POST	1
3	P005-000190	E-RING	E-RING	1
4	P005-001320	COVER ASY, ROTOR	COVER ASY, ROTOR	1
5	P005-000100	SCREW,THROTTLEADJUST	SCREW,THROTTLEADJUST	1
6	P005-001270	PLUG, AJUST SCREW	PLUG, H AJUST SCREW	1
7	C486-000000	CABLE, ADJUSTER	CABLE, ADJUSTER	1
8	125344-52130	SCREW	SCREW	3
9	P005-001000	ROLLER, GUIDE	ROLLER, GUIDE	1
10	P005-000280	O-RING	O-RING	1
11	125337-08260	VALVE, INLET NEEDLE	VALVE, INLET NEEDLE	1
12	P005-000940	SPRING, METER. LEVER	SPRING, METER. LEVER	1
13	125323-08260	ARM, VALVE	ARM, VALVE	1
14	125338-13930	PIN, METERING ARM	PIN, METERING ARM	1
15	125339-42030	SCREW	SCREW	1
16	P005-000200	GASKET, METERING	GASKET, METERING	1
17	P005-001780	DIAPHRAGM	DIAPHRAGM	1
18	125342-52130	COVER, DIAPHRAGM	COVER, DIAPHRAGM	1

<b>Ref Number</b>	<b>Part Number</b>	<b>Part Description</b>	<b>Context Notes</b>	<b>Quantity</b>
19	P005-000010	STRAINER	STRAINER	1
20	P005-001260	SCREW,MAINN MIXTURE	SCREW,MAINN MIXTURE	1
21	P005-001270	PLUG, AJUST SCREW	PLUG, H AJUST SCREW	1
22	P005-001250	RETAINER,PLUG BALL	RETAINER,PLUG BALL	1
23	P005-000510	DIAPHRAGM, PUMP	DIAPHRAGM, PUMP	1
24	P005-000520	GASKET, PUMP	GASKET, PUMP	1
25	P005-000930	BASE, ASY PRIMER	BASE, ASY PRIMER	1
26	P005-000270	SCREW	SCREW	1
27	125381-46730	PUMP, PRIMING	PUMP, PRIMING	1
28	P005-000250	RETAINER	RETAINER	1
29	P005-001900	SCREW	SCREW	4

Carburetor(Sr/Nr 37007221 and after)



Rendered by ARI Network Services, Inc.

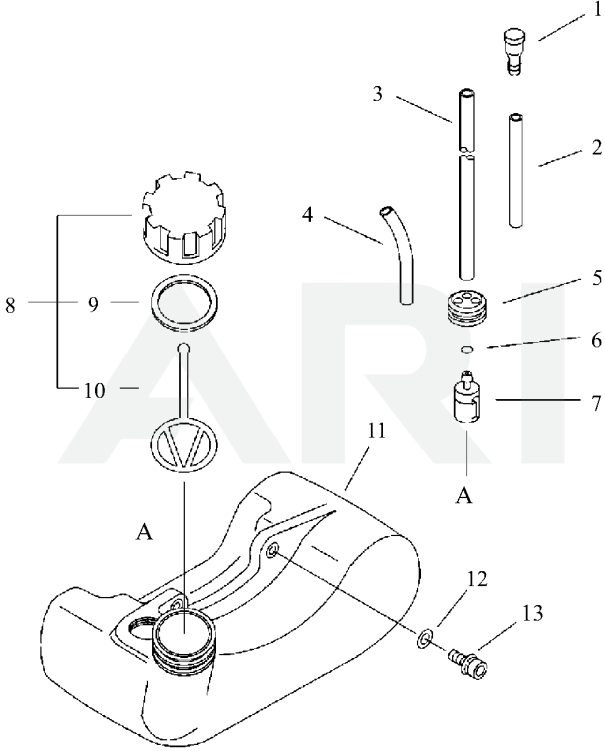
## Carburetor(Sr/Nr 37007221 and after)

<b>Ref Number</b>	<b>Part Number</b>	<b>Part Description</b>	<b>Context Notes</b>	<b>Quantity</b>
	A021-001690	CARBURETOR,DIAPHRAGM	CARBURETOR,DIAPHRAGM	1
1	125344-13931	SCREW	SCREW	3
2	P005-001240	POST	POST	1
3	P005-000190	E-RING	E-RING	1
5	P005-000100	SCREW,THROTTLEADJUST	SCREW,THROTTLEADJUST	1
6	P005-001270	PLUG, AJUST SCREW	PLUG, H AJUST SCREW	1
8	125344-52130	SCREW	SCREW	3
9	P005-001000	ROLLER, GUIDE	ROLLER, GUIDE	1
10	P005-000280	O-RING	O-RING	1
11	125337-08260	VALVE, INLET NEEDLE	VALVE, INLET NEEDLE	1
12	P005-000940	SPRING, METER. LEVER	SPRING, METER. LEVER	1
13	125323-08260	ARM, VALVE	ARM, VALVE	1
14	125338-13930	PIN, METERING ARM	PIN, METERING ARM	1
15	125339-42030	SCREW	SCREW	1
16	P005-000200	GASKET, METERING	GASKET, METERING	1
17	P005-001780	DIAPHRAGM	DIAPHRAGM	1
18	125342-52130	COVER, DIAPHRAGM	COVER, DIAPHRAGM	1
19	P005-000010	STRAINER	STRAINER	1
20	P005-001260	SCREW,MAINN MIXTURE	SCREW,MAINN MIXTURE	1

<b>Ref Number</b>	<b>Part Number</b>	<b>Part Description</b>	<b>Context Notes</b>	<b>Quantity</b>
21	P005-001270	PLUG, AJUST SCREW	PLUG, H AJUST SCREW	1
22	P005-001250	RETAINER,PLUG BALL	RETAINER,PLUG BALL	1
23	P005-000510	DIAPHRAGM, PUMP	DIAPHRAGM, PUMP	1
24	P005-000520	GASKET, PUMP	GASKET, PUMP	1
25	P005-000930	BASE, ASY PRIMER	BASE, ASY PRIMER	1
26	P005-000270	SCREW	SCREW	1
27	125381-46730	PUMP, PRIMING	PUMP, PRIMING	1
28	P005-000250	RETAINER	RETAINER	1
29	P005-001900	SCREW	SCREW	4
30	P005-002050	COVER ASY, ROTOR	COVER ASY, ROTOR	1



FUEL TANK

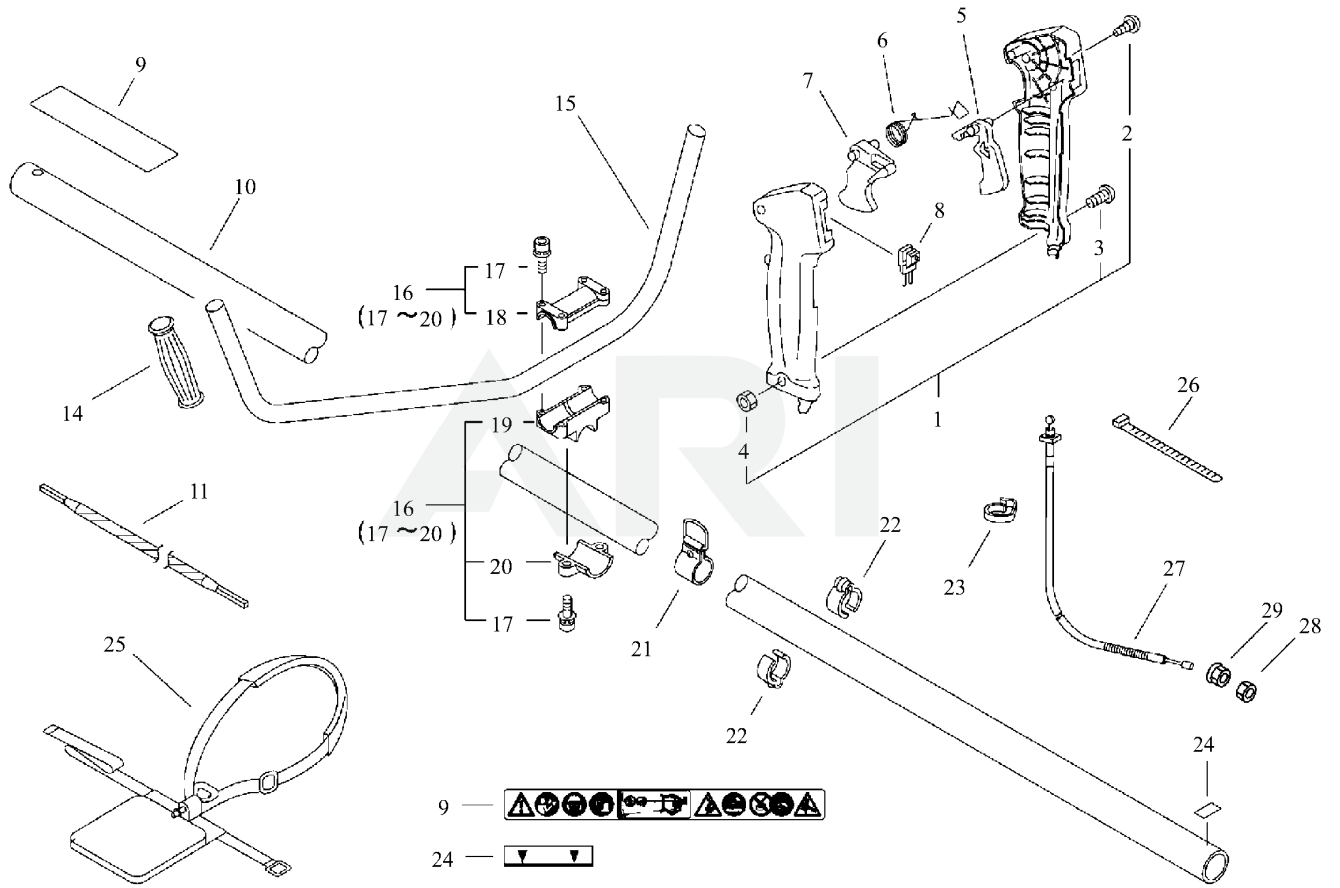


Rendered by ARI Network Services, Inc.

## FUEL TANK

<b>Ref Number</b>	<b>Part Number</b>	<b>Part Description</b>	<b>Context Notes</b>	<b>Quantity</b>
1	A356-000030	VALVE,CHECK	VALVE,CHECK	1
2	V471-001200	PIPE	PIPE	1
3	V471-001190	PIPE	PIPE	1
4	132012-56030	PIPE	PIPE	1
5	132115-46730	GROMMET, FUEL	GROMMET, FUEL	1
6	132013-09820	CLIP	CLIP	1
7	131205-07320	STRAINER, FUEL	STRAINER, FUEL	1
8	P021-012210	CAP,FUEL ASY	CAP,FUEL ASY	1
9	131016-55830	GASKET, FUEL CAP	GASKET, FUEL CAP	1
10	A365-000060	CONNECTOR,CAP	CONNECTOR,CAP	1
11	A350-000480	TANK, FUEL	TANK, FUEL	1
12	900603-00005	WASHER	WASHER 5	2
13	91118-05020	BOLT HSH	BOLT	2

Handle (U)(Sr/Nr 37007221 and after)



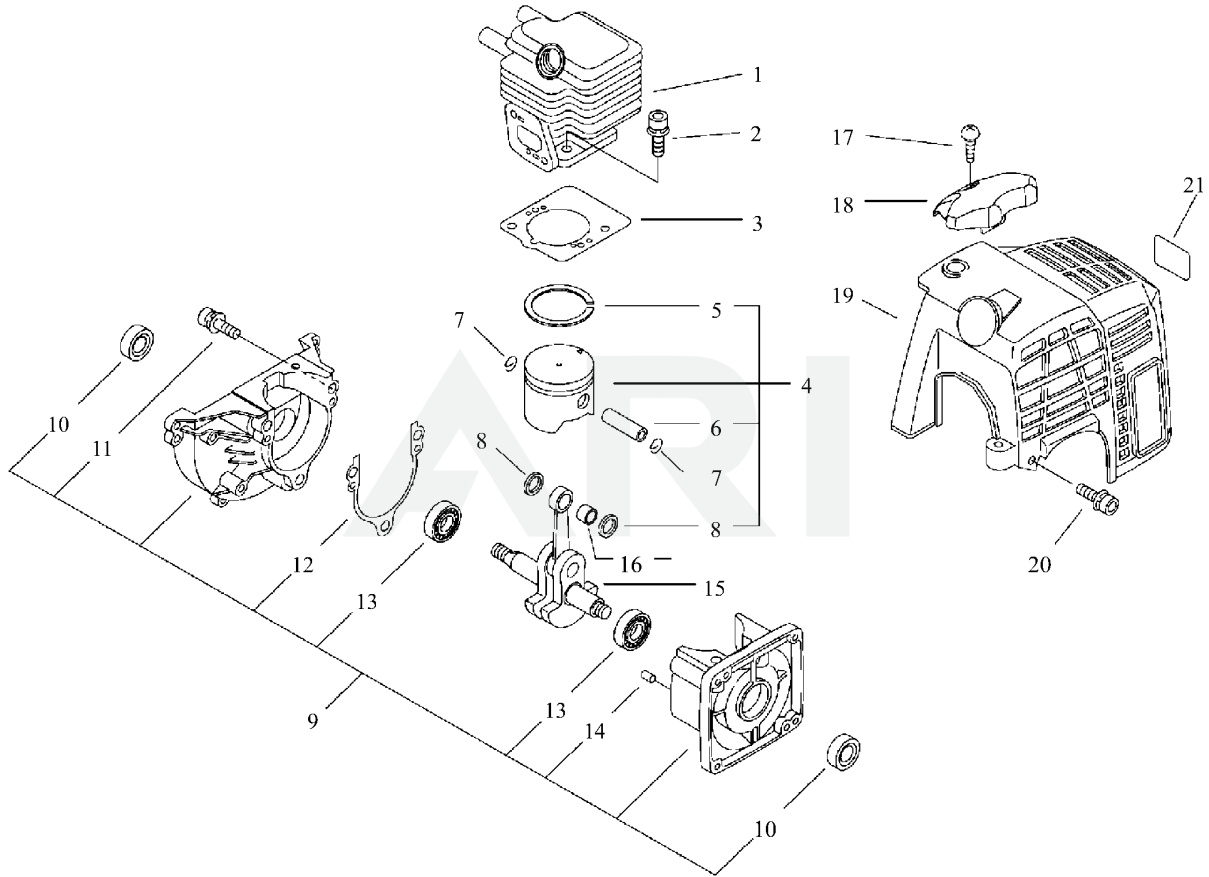
Rendered by ARI Network Services, Inc.

Handle (U)(Sr/Nr 37007221 and after)

<b>Ref Number</b>	<b>Part Number</b>	<b>Part Description</b>	<b>Context Notes</b>	<b>Quantity</b>
1	351102-47530	GRIP ASSY, F-HANDLE	GRIP ASSY, F-HANDLE	1
2	900246-03025	SCREW, TAPPING	SCREW 3*25	4
3	900220-05030	SCREW	SCREW 5*30	1
4	900500-00005	NUT	NUT 5	1
5	178012-05960	LOCKOUT, THROTTLE	LOCKOUT, THROTTLE	1
6	178013-35631	SPRING, THR. LOCK	SPRING, THR. LOCK	1
7	178010-05960	CONTROL, THROTTLE	CONTROL, THROTTLE	1
8	P021-013180	SWITCH,ON OFF	SWITCH,ON OFF	1
9	890617-43130	LABEL,CAUTION	LABEL,CAUTION	1
10	610206-44730	HOUSING ASSY, D.SHFT	HOUSING ASSY, D.SHFT	1
11	610013-44730	SHAFT, FLEXIBLE	SHAFT, FLEXIBLE	1
12	V475-003830	TUBE	TUBE	1
14	351311-02330	GRIP, HANDLE	GRIP, HANDLE	1
15	C400-000211	HANDLE,FRONT	HANDLE,FRONT	1
16	351301-22333	BRACKET ASY, HANDLE	BRACKET ASY, HANDLE	1
17	91118-05025	BOLT HSH	BOLT	6
18	351313-22332	BRACKET, HANDLE (U)	BRACKET, HANDLE (U)	1
19	351312-22331	BRACKET, HANDLE (C)	BRACKET, HANDLE (C)	1
20	351314-22332	BRACKET, HANDLE (L)	BRACKET, HANDLE (L)	1
21	301200-46830	HOOK, LIFTING	HOOK, LIFTING	1

<b>Ref Number</b>	<b>Part Number</b>	<b>Part Description</b>	<b>Context Notes</b>	<b>Quantity</b>
22	224924-52130	CLIP	CLIP	2
23	159112-09961	CLIP	CLIP	1
24	890152-04930	LABEL, CAUTION	LABEL, CAUTION	1
25	301001-44731	HARNESS, SHOULDER	HARNESS, SHOULDER	1
26	178121-08550	BAND	BAND	2
27	V430-002300	CABLE,BOWDEN	CABLE,BOWDEN	1
28	900502-00006	NUT	NUT 6 (3N)	1
29	900518-00006	NUT, FLANGE	NUT, FLANGE	1

# Cylinder,Crankcase,Piston

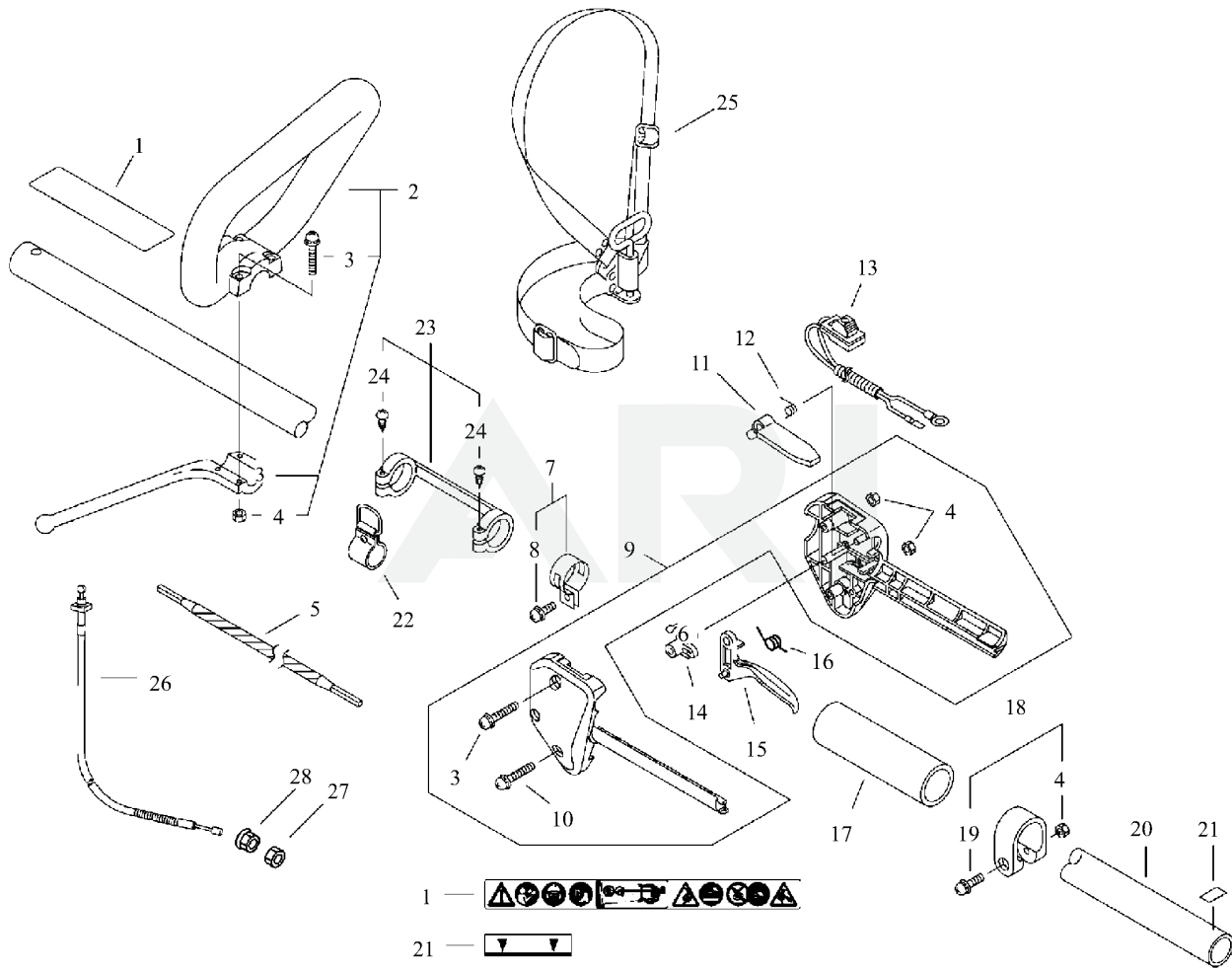


Rendered by ARI Network Services, Inc.

## Cylinder,Crankcase,Piston

<b>Ref Number</b>	<b>Part Number</b>	<b>Part Description</b>	<b>Context Notes</b>	<b>Quantity</b>
1	A130-000540	CYLINDER	CYLINDER	1
2	900162-05022	BOLT HSH	BOLT, H.S. 5*22	2
3	V100-000160	GASKET,CYL	GASKET,CYL	1
4	P021-007712	PISTON KIT	PISTON KIT	1
5	A101-000090	RING,PISTON	RING,PISTON	1
6	100013-11520	PIN, PISTON	PIN, PISTON	1
7	100015-04630	CIRCLIP, PISTON PIN	CIRCLIP, PISTON PIN	2
8	100014-11520	SPACER, PISTON PIN	SPACER, PISTON PIN	2
9	100204-52132	CRANKCASE KIT	CRANKCASE KIT	1
10	100212-42031	OILSEAL	OILSEAL	2
11	900162-05028	BOLT HSH	BOLT, H.S. 5*28	3
12	100242-42030	GASKET, CRANKCASE	GASKET, CRANKCASE	1
13	94035-36201	BEARING, BALL	BEARING BALL	2
14	100215-03930	PIN, DOWEL	PIN, DOWEL	2
15	A011-000101	CRANKSHAFT,ASM	CRANKSHAFT,ASM	1
16	V553-000010	BEARING,NEEDLE 8	BEARING,NEEDLE 8	1
17	900253-05020	SCREW, TAPPING	SCREW 5*20	1
18	A162-000130	GUARD, TOP	GUARD, TOP	1
19	A160-000890	COVER, CYLINDER	COVER, CYLINDER	1
20	V202-000090	BOLT, 4	BOLT, 4	2
21	X505-002310	LABEL, CAUTION	LABEL, CAUTION	1

# Handle (L)(Sr/Nr 37007221 and after)



Rendered by ARI Network Services, Inc.

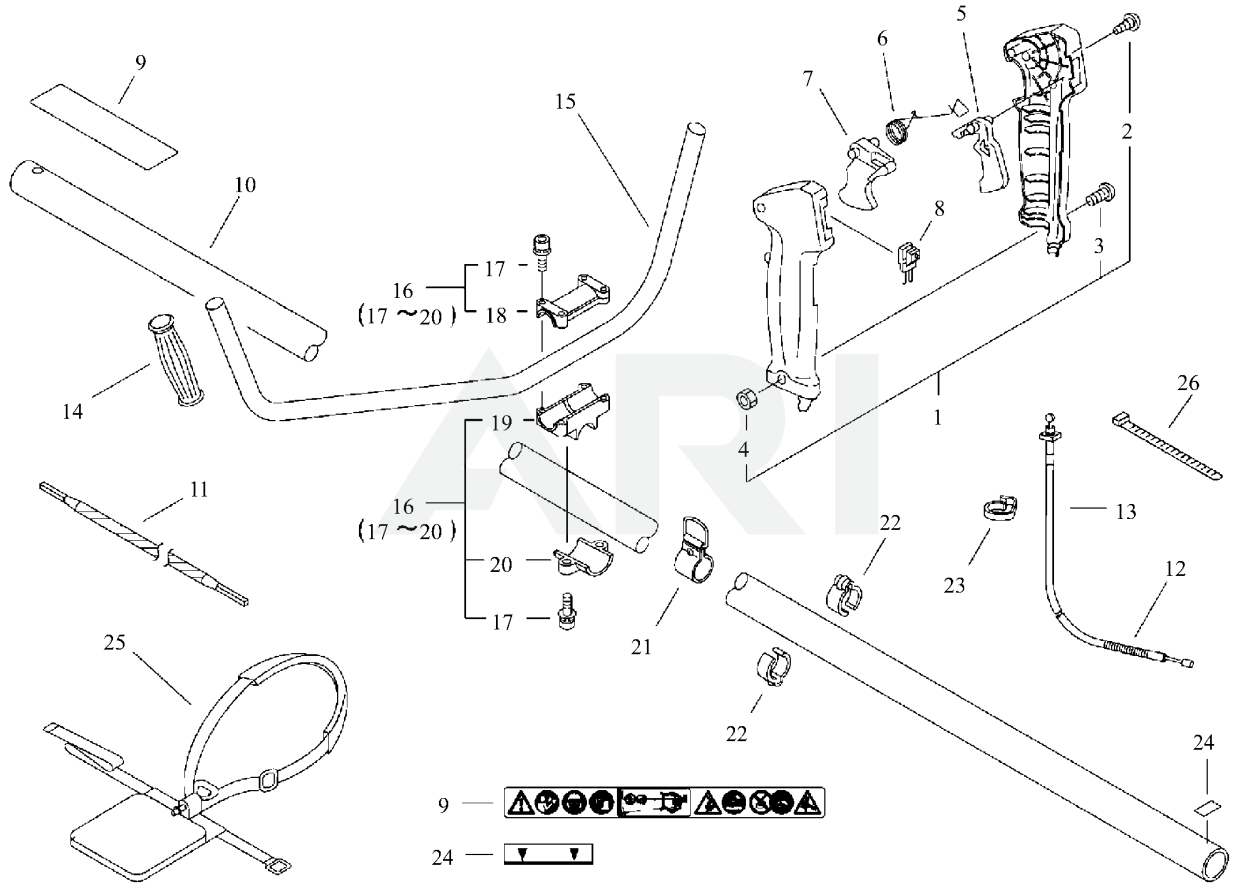


Handle (L)(Sr/Nr 37007221 and after)

<b>Ref Number</b>	<b>Part Number</b>	<b>Part Description</b>	<b>Context Notes</b>	<b>Quantity</b>
1	890617-43130	LABEL,CAUTION	LABEL,CAUTION	1
2	351201-54130	HANDLE ASSY, LOOP	HANDLE ASSY, LOOP	1
3	900242-05035	SCREW	SCREW 5*35	4
4	900500-00005	NUT	NUT 5	4
5	610013-44730	SHAFT, FLEXIBLE	SHAFT, FLEXIBLE	1
7	301200-29430	BAND ASSY	BAND ASSY	1
8	900242-05014	SCREW	SCREW 5*14	1
9	178003-52130	BRACKET SET,THROTTLE	BRACKET SET,THROTTLE	1
3	900242-05035	SCREW	SCREW 5*35	1
4	900500-00005	NUT	NUT 5	2
10	900242-05025	SCREW	SCREW 5*25	1
11	178090-52632	LOCKOUT, T. CONTROL	LOCKOUT, T. CONTROL	1
12	178013-52630	SPRING, THR. LOCK	SPRING, THR. LOCK	1
13	A440-000831	SWITCH, ON OFF	SWITCH, ON OFF	1
14	178012-52630	LOCKOUT, THROTTLE	LOCKOUT, THROTTLE	1
15	178010-52130	CONTROL, THROTTLE	CONTROL, THROTTLE	1
16	178043-42230	SPRING, THR. RETURN	SPRING, THR. RETURN	1
17	C403-000140	GRIP, HANDLE	GRIP, HANDLE	1
18	610272-52130	BAND	BAND	1

<b>Ref Number</b>	<b>Part Number</b>	<b>Part Description</b>	<b>Context Notes</b>	<b>Quantity</b>
4	900500-00005	NUT	NUT 5	1
19	900242-05028	SCREW	SCREW 5*28	1
20	610206-44730	HOUSING ASSY, D.SHFT	HOUSING ASSY, D.SHFT	1
21	890152-04930	LABEL, CAUTION	LABEL, CAUTION	1
22	301200-46830	HOOK, LIFTING	HOOK, LIFTING	1
23	610281-54130	COLLER	COLLER	1
24	900253-04025	SCREW, TAPPING	SCREW 4*25	2
25	301001-46731	HARNESS, SHOULDER	HARNESS, SHOULDER	1
26	V430-002290	CABLE,BOWDEN	CABLE,BOWDEN	1
27	900502-00006	NUT	NUT 6 (3N)	1
28	900518-00006	NUT, FLANGE	NUT, FLANGE	1

Handle (U)(Sr/Nr 37007220 and befor)



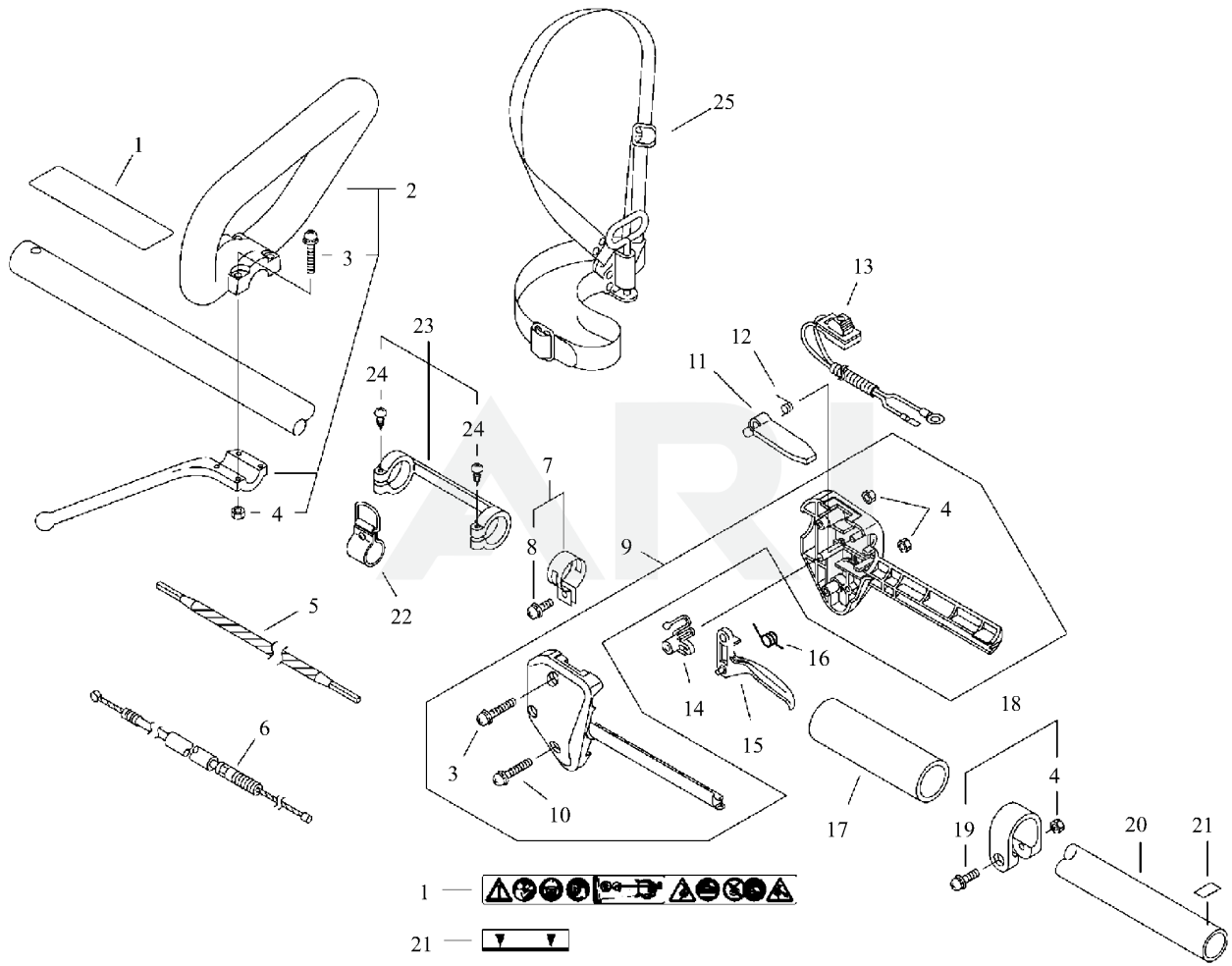
Rendered by ARI Network Services, Inc.

Handle (U)(Sr/Nr 37007220 and befor)

<b>Ref Number</b>	<b>Part Number</b>	<b>Part Description</b>	<b>Context Notes</b>	<b>Quantity</b>
1	351102-47530	GRIP ASSY, F-HANDLE	GRIP ASSY, F-HANDLE	1
2	900246-03025	SCREW, TAPPING	SCREW 3*25	4
3	900220-05030	SCREW	SCREW 5*30	1
4	900500-00005	NUT	NUT 5	1
5	178012-05960	LOCKOUT, THROTTLE	LOCKOUT, THROTTLE	1
6	178013-35631	SPRING, THR. LOCK	SPRING, THR. LOCK	1
7	178010-05960	CONTROL, THROTTLE	CONTROL, THROTTLE	1
8	P021-013180	SWITCH,ON OFF	SWITCH,ON OFF	1
9	890617-43130	LABEL,CAUTION	LABEL,CAUTION	1
10	610206-44730	HOUSING ASSY, D.SHFT	HOUSING ASSY, D.SHFT	1
11	610013-44730	SHAFT, FLEXIBLE	SHAFT, FLEXIBLE	1
12	V475-003830	TUBE	TUBE	1
13	V430-001870	CABLE,BOWDEN	CABLE,BOWDEN	1
14	351311-02330	GRIP, HANDLE	GRIP, HANDLE	1
15	C400-000211	HANDLE,FRONT	HANDLE,FRONT	1
16	351301-22333	BRACKET ASY, HANDLE	BRACKET ASY, HANDLE	1
17	91118-05025	BOLT HSH	BOLT	6
18	351313-22332	BRACKET, HANDLE (U)	BRACKET, HANDLE (U)	1
19	351312-22331	BRACKET, HANDLE (C)	BRACKET, HANDLE (C)	1
20	351314-22332	BRACKET, HANDLE (L)	BRACKET, HANDLE (L)	1
21	301200-46830	HOOK, LIFTING	HOOK, LIFTING	1

<b>Ref Number</b>	<b>Part Number</b>	<b>Part Description</b>	<b>Context Notes</b>	<b>Quantity</b>
22	224924-52130	CLIP	CLIP	2
23	159112-09961	CLIP	CLIP	1
24	890152-04930	LABEL, CAUTION	LABEL, CAUTION	1
25	301001-44731	HARNESS, SHOULDER	HARNESS, SHOULDER	1
26	178121-08550	BAND	BAND	2

Handle (L)(Sr/Nr 37007220 and befor)



Rendered by ARI Network Services, Inc.

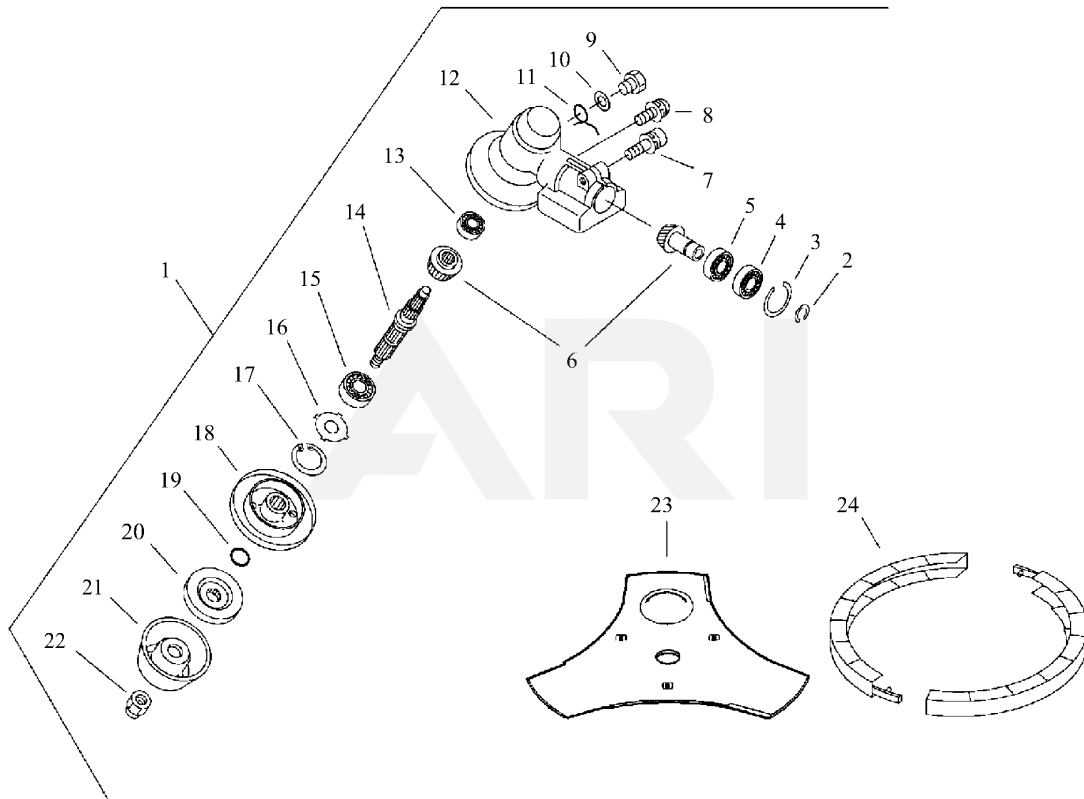
Handle (L)(Sr/Nr 37007220 and befor)

<b>Ref Number</b>	<b>Part Number</b>	<b>Part Description</b>	<b>Context Notes</b>	<b>Quantity</b>
1	890617-43130	LABEL,CAUTION	LABEL,CAUTION	1
2	351201-54130	HANDLE ASSY, LOOP	HANDLE ASSY, LOOP	1
3	900242-05035	SCREW	SCREW 5*35	4
4	900500-00005	NUT	NUT 5	4
5	610013-44730	SHAFT, FLEXIBLE	SHAFT, FLEXIBLE	1
6	V430-001880	CABLE,BOWDEN	CABLE,BOWDEN	1
7	301200-29430	BAND ASSY	BAND ASSY	1
8	900242-05014	SCREW	SCREW 5*14	1
9	178003-52130	BRACKET SET,THROTTLE	BRACKET SET,THROTTLE	1
3	900242-05035	SCREW	SCREW 5*35	1
4	900500-00005	NUT	NUT 5	2
10	900242-05025	SCREW	SCREW 5*25	1
11	178090-52632	LOCKOUT, T. CONTROL	LOCKOUT, T. CONTROL	1
12	178013-52630	SPRING, THR. LOCK	SPRING, THR. LOCK	1
13	A440-000831	SWITCH, ON OFF	SWITCH, ON OFF	1
14	178012-52630	LOCKOUT, THROTTLE	LOCKOUT, THROTTLE	1
15	178010-52130	CONTROL, THROTTLE	CONTROL, THROTTLE	1
16	178043-42230	SPRING, THR. RETURN	SPRING, THR. RETURN	1
17	C403-000140	GRIP, HANDLE	GRIP, HANDLE	1

<b>Ref Number</b>	<b>Part Number</b>	<b>Part Description</b>	<b>Context Notes</b>	<b>Quantity</b>
18	610272-52130	BAND	BAND	1
4	900500-00005	NUT	NUT 5	1
19	900242-05028	SCREW	SCREW 5*28	1
20	610206-44730	HOUSING ASSY, D.SHFT	HOUSING ASSY, D.SHFT	1
21	890152-04930	LABEL, CAUTION	LABEL, CAUTION	1
22	301200-46830	HOOK, LIFTING	HOOK, LIFTING	1
23	610281-54130	COLLER	COLLER	1
24	900253-04025	SCREW, TAPPING	SCREW 4*25	2
25	301001-46731	HARNESS, SHOULDER	HARNESS, SHOULDER	1



# Gear Case (U)

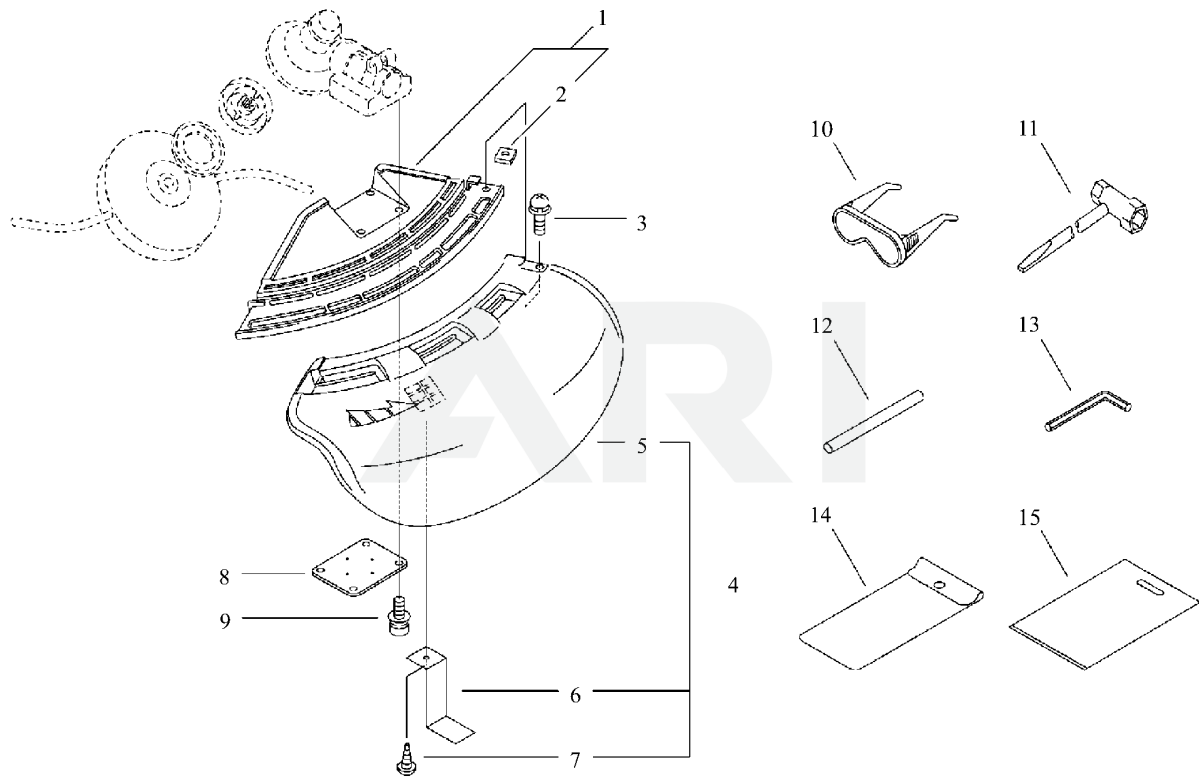


Rendered by ARI Network Services, Inc.

## Gear Case (U)

<b>Ref Number</b>	<b>Part Number</b>	<b>Part Description</b>	<b>Context Notes</b>	<b>Quantity</b>
1	P021-005782	HOUSING ASY,GEAR	HOUSING ASY,GEAR	1
2	900706-00010	RETAINING RING	CIRCLIP 10	1
3	900702-00022	RETAINING RING	CIRCLIP 22	1
4	900858-06900	BEARING, BALL	BEARING, BALL 6900Z	1
5	900855-06900	BEARING, BALL	BEARING, BALL 6900	1
6	610300-42330	GEAR SET	GEAR SET	1
7	91118-06025	BOLT HSH	BOLT	1
8	900242-05010	SCREW	SCREW 5*10	1
9	610434-50031	BOLT 8* 8	BOLT 8* 8	1
10	900603-50008	WASHER	WASHER	1
11	610473-52131	SPRING	SPRING	1
12	610410-52131	CASE, GEAR	CASE, GEAR	1
13	900810-00626	BEARING, BALL	BEARING, BALL 626	1
14	610310-56830	SHAFT, P.T.O.	SHAFT, P.T.O.	1
15	900812-06201	BEARING, BALL	BEARING, BALL 6201	1
16	610444-56830	WASHER	WASHER	1
17	900702-00032	RETAINING RING	CIRCLIP 32	1
18	C535-000001	FIXTURE,BLADE	FIXTURE,BLADE	1
19	900720-00012	O-RING	O-RING 12	1
20	610314-52130	PLATE, ADAPTER (L)	PLATE, ADAPTER (L)	1
21	699229-56830	PLATE, COVER	PLATE, COVER	1
22	610320-52130	NUT 10	NUT 10	1
23	X405-000011	SAW,BUSH CUTTER	SAW,BUSH CUTTER	1
24	P021-007470	SCABBARD,BLADE	SCABBARD,BLADE	1

# Blade Shield (L)

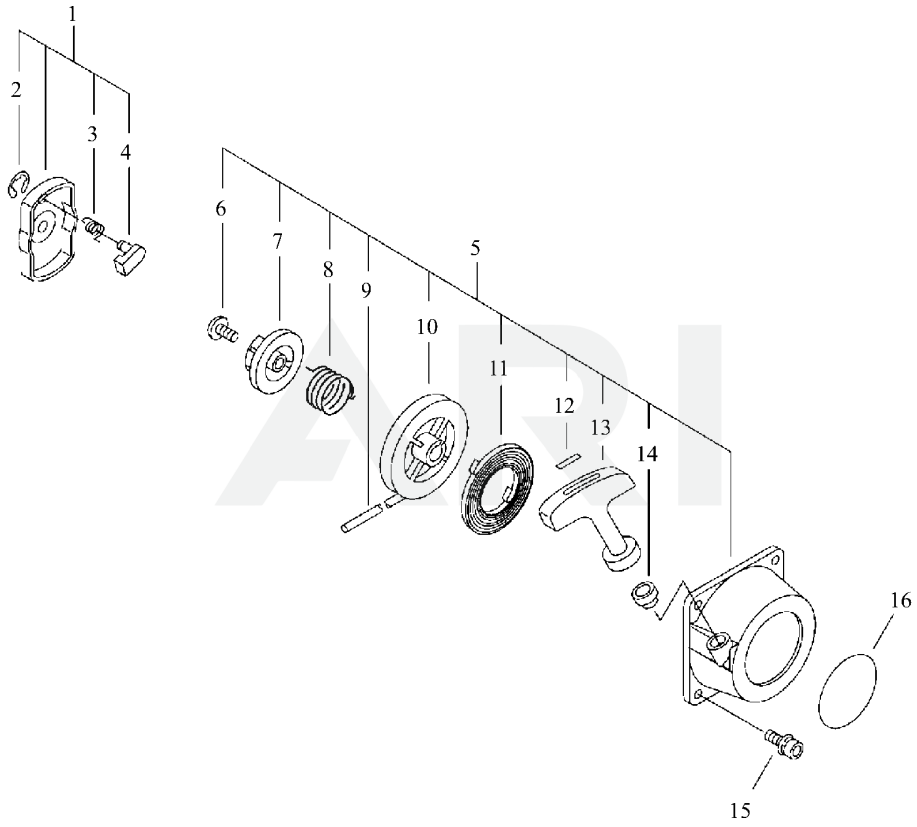


Rendered by ARI Network Services, Inc.

## Blade Shield (L)

<b>Ref Number</b>	<b>Part Number</b>	<b>Part Description</b>	<b>Context Notes</b>	<b>Quantity</b>
1	C550-000100	SHIELD, BLADE	SHIELD, BLADE	1
2	900565-00005	NUT, SQUARE	NUT	1
3	900242-05018	SCREW	SCREW 5*18	1
4	P021-002620	SHIELD, BLADE(W/KNIFE	SHIELD, BLADE(W/KNIFE	1
5	C550-000080	SHIELD, BLADE	SHIELD, BLADE	1
6	C554-000000	KNIFE, CORD	KNIFE, CORD	1
7	900252-05012	SCREW, TAPPING	SCREW 5*12	1
8	699013-56830	PLATE, SHIELD	PLATE, SHIELD	1
9	91118-05025	BOLT HSH	BOLT	4
10	P021-002861	GOGGLES	GOGGLES	1
11	895410-02830	WRENCH, W/S. DRIVER	WRENCH, W/S. DRIVER	1
12	X606-000080	TOOL, BAR	TOOL, BAR	1
13	895610-00130	L-WRENCH (4MM)	L-WRENCH (4MM)	1
14	898510-07130	BAG, TOOL	BAG, TOOL	1
15	X698-000040	TOOL, CASE	TOOL, CASE	1

# Starter

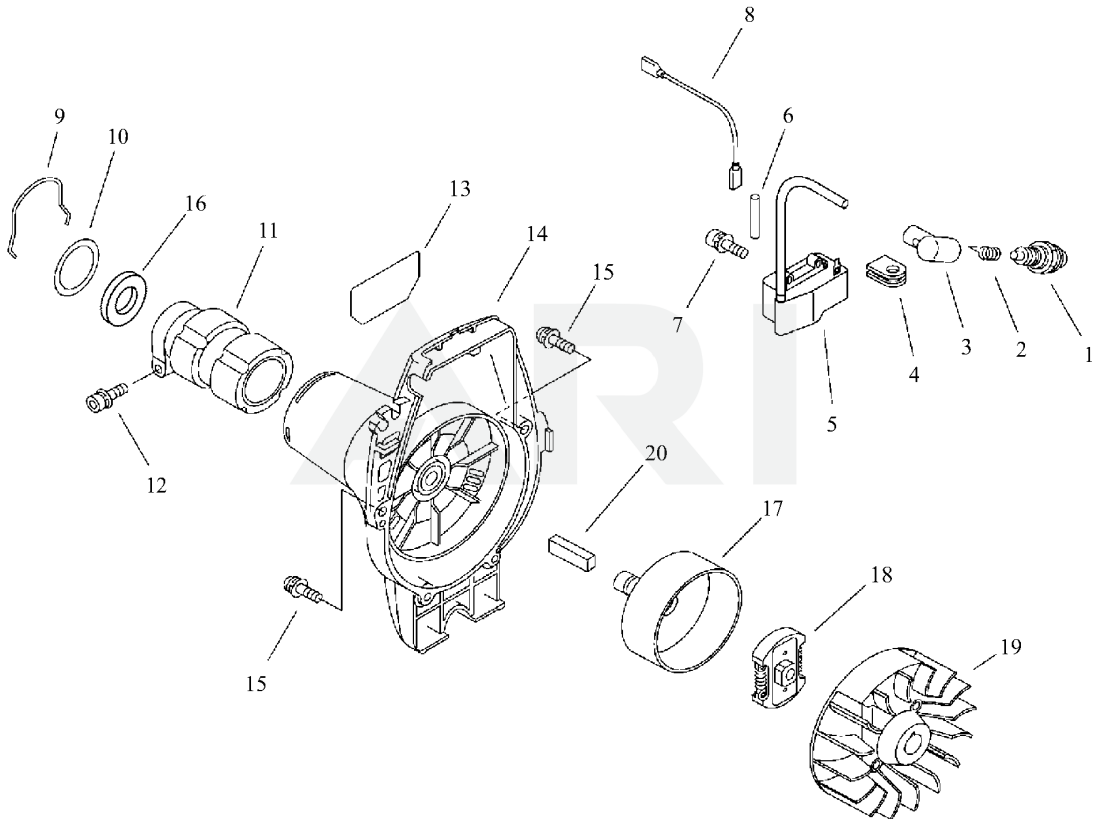


Rendered by ARI Network Services, Inc.

## Starter

<b>Ref Number</b>	<b>Part Number</b>	<b>Part Description</b>	<b>Context Notes</b>	<b>Quantity</b>
1	A052-000180	PULLEY,ASM STARTER	PULLEY,ASM STARTER	1
2	P022-002100	E-RING	E-RING	2
3	P022-006510	SPRING, RETURN	SPRING, RETURN	2
4	P022-006850	PAWL, STARTER	PAWL, STARTER	2
5	A051-000740	STARTER,RECOIL	STARTER,RECOIL	1
6	177236-61830	SCREW	SCREW	1
7	P022-008280	PLATE, CAM(TI12-511)	PLATE, CAM(TI12-511)	1
8	P022-008270	SPRING,DAMPER	SPRING,DAMPER	1
9	P022-008260	ROPE	ROPE	1
10	P022-006830	DRUM	DRUM	1
11	177220-42030	SPRING, REWIND	SPRING, REWIND	1
12	177246-11120	CLIP, STARTER ROPE	CLIP, STARTER ROPE	1
13	177228-27030	GRIP, STARTER	GRIP, STARTER	1
14	177227-42030	GUIDE, ROPE	GUIDE, ROPE	1
15	V202-000090	BOLT,4	BOLT,4	2
16	X502-000330	LABEL,ECHO	LABEL,ECHO	1

# Magneto, Fan Cover, Clutch



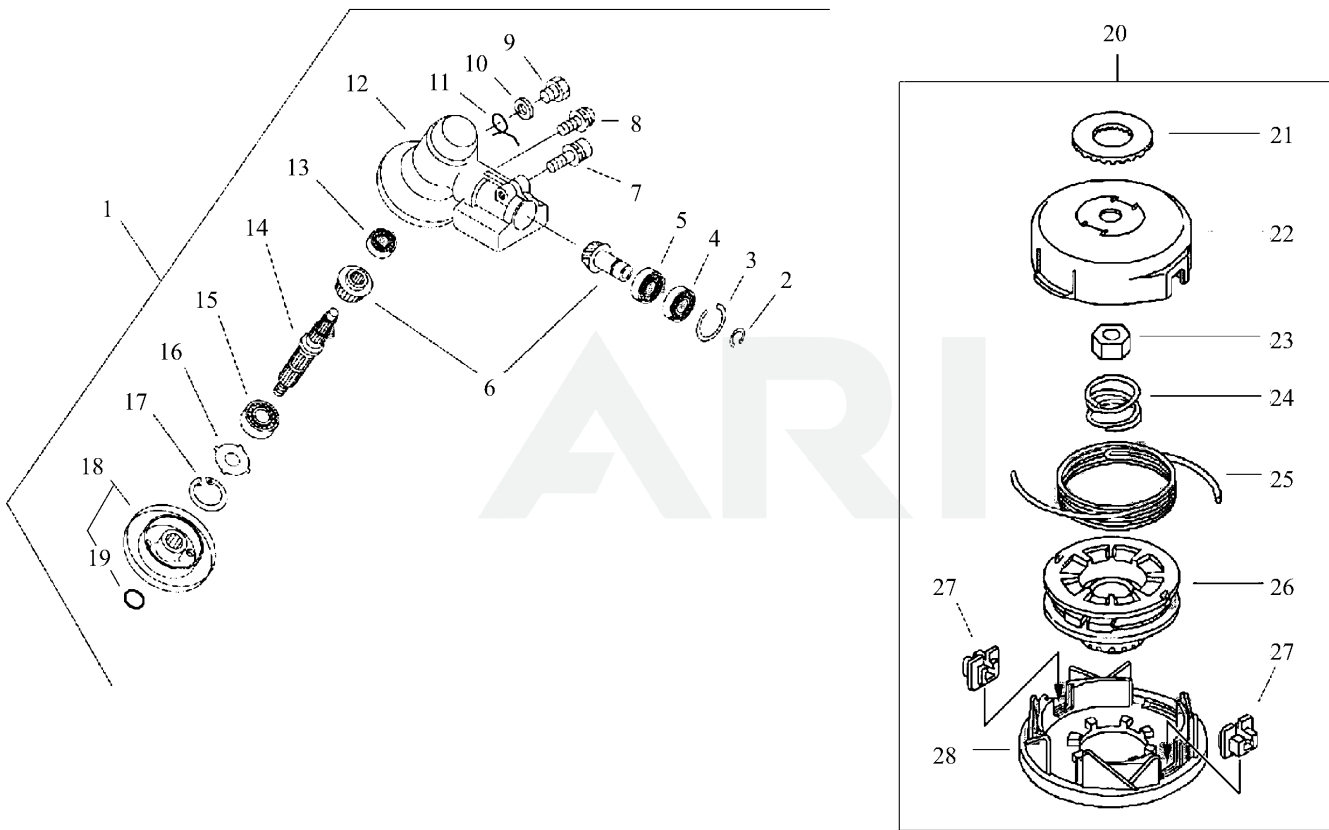
Rendered by ARI Network Services, Inc.

## Magneto,Fan Cover,Clutch

<b>Ref Number</b>	<b>Part Number</b>	<b>Part Description</b>	<b>Context Notes</b>	<b>Quantity</b>
1	A425-000000	SPARKPLUG	SPARKPLUG	1
2	159011-03432	COIL, SPARK PLUG	COIL, SPARK PLUG	1
3	159012-03433	CAP, SPARK PLUG	CAP, SPARK PLUG	1
4	156112-40630	GROMMET	GROMMET	1
5	A411-000140	COIL,IGNITION	COIL,IGNITION	1
6	V475-003960	TUBE	TUBE	1
7	900162-04020	BOLT HSH	BOLT, H.S. 4*20	2
8	162010-52830	LEAD, GROUND	LEAD, GROUND	1
9	660316-55630	CLIP	CLIP	1
10	V315-000030	WASHER,CIRCULAR 30	WASHER,CIRCULAR 30	1
11	A575-000110	FIXTURE,MAIN PIPE	FIXTURE,MAIN PIPE	1
12	91118-05028	BOLT HSH	BOLT	1
13	X547-000530	LABEL,ECHO	LABEL,ECHO	1
14	A172-000320	COVER,FAN	COVER,FAN	1
15	91363-04016	SCREW	SCREW	4
16	175313-20430	RING, FELT	RING, FELT	1
17	175005-44331	DRUM, CLUTCH	DRUM, CLUTCH	1
18	175000-56831	CLUTCH ASSEMBLY	CLUTCH ASSEMBLY	1
19	A409-000210	ROTOR,MAGNETO	ROTOR,MAGNETO	1
20	V376-000990	SPACER	SPACER	1



# Gear Case (L)



Rendered by ARI Network Services, Inc.

## Gear Case (L)

<b>Ref Number</b>	<b>Part Number</b>	<b>Part Description</b>	<b>Context Notes</b>	<b>Quantity</b>
1	P021-013130	CASE ASY, GEAR	CASE ASY, GEAR	1
2	900706-00010	RETAINING RING	CIRCLIP 10	1
3	900702-00022	RETAINING RING	CIRCLIP 22	1
4	900858-06900	BEARING, BALL	BEARING, BALL 6900Z	1
5	900855-06900	BEARING, BALL	BEARING, BALL 6900	1
6	610300-42330	GEAR SET	GEAR SET	1
7	91118-06025	BOLT HSH	BOLT	1
8	900242-05010	SCREW	SCREW 5*10	1
9	610434-50031	BOLT 8* 8	BOLT 8* 8	1
10	900603-50008	WASHER	WASHER	1
11	610473-52131	SPRING	SPRING	1
12	610410-52131	CASE, GEAR	CASE, GEAR	1
13	900810-00626	BEARING, BALL	BEARING, BALL 626	1
14	610310-56830	SHAFT, P.T.O.	SHAFT, P.T.O.	1
15	900812-06201	BEARING, BALL	BEARING, BALL 6201	1
16	610444-56830	WASHER	WASHER	1
17	900702-00032	RETAINING RING	CIRCLIP 32	1
18	610313-52932	FIXTURE, BLADE	FIXTURE, BLADE	1
19	900720-00012	O-RING	O-RING 12	1
20	X047-000260	CUTTER, ASM LINE	CUTTER, ASM LINE	1

<b>Ref Number</b>	<b>Part Number</b>	<b>Part Description</b>	<b>Context Notes</b>	<b>Quantity</b>
21	V332-000000	WASHER,CIRCULAR 24	WASHER,CIRCULAR 24	1
22	P022-003310	HOUSING	HOUSING	1
23	P022-001220	NUT	NUT	1
24	P022-001250	SPRING	SPRING	1
25	P022-006190	NYLON CODE	NYLON CODE	1
26	P022-001260	BOBBIN	BOBBIN	1
27	P022-000710	EYELET	EYELET	2
28	P022-003330	COVER	COVER	1

Repair Kit



Rendered by ARI Network Services, Inc.

## Repair Kit

<b>Ref Number</b>	<b>Part Number</b>	<b>Part Description</b>	<b>Context Notes</b>	<b>Quantity</b>
	P005-001660	DIAPHRAGM/GASKET KIT	DIAPHRAGM/GASKET KIT	1
2-16	P005-000200	GASKET, METERING	GASKET, METERING	1
2-17	P005-001780	DIAPHRAGM	DIAPHRAGM	1
2-23	P005-000510	DIAPHRAGM, PUMP	DIAPHRAGM, PUMP	1
2-24	P005-000520	GASKET, PUMP	GASKET, PUMP	1
	P005-001670	REBUILD KIT	REBUILD KIT	1
2-9	P005-001000	ROLLER, GUIDE	ROLLER, GUIDE	1
2-11	125337-08260	VALVE, INLET NEEDLE	VALVE, INLET NEEDLE	1
2-13	125323-08260	ARM, VALVE	ARM, VALVE	1
2-14	125338-13930	PIN, METERING ARM	PIN, METERING ARM	1
2-19	P005-000010	STRAINER	STRAINER	1
2-20	P005-000940	SPRING, METER. LEVER	SPRING, METER. LEVER	1