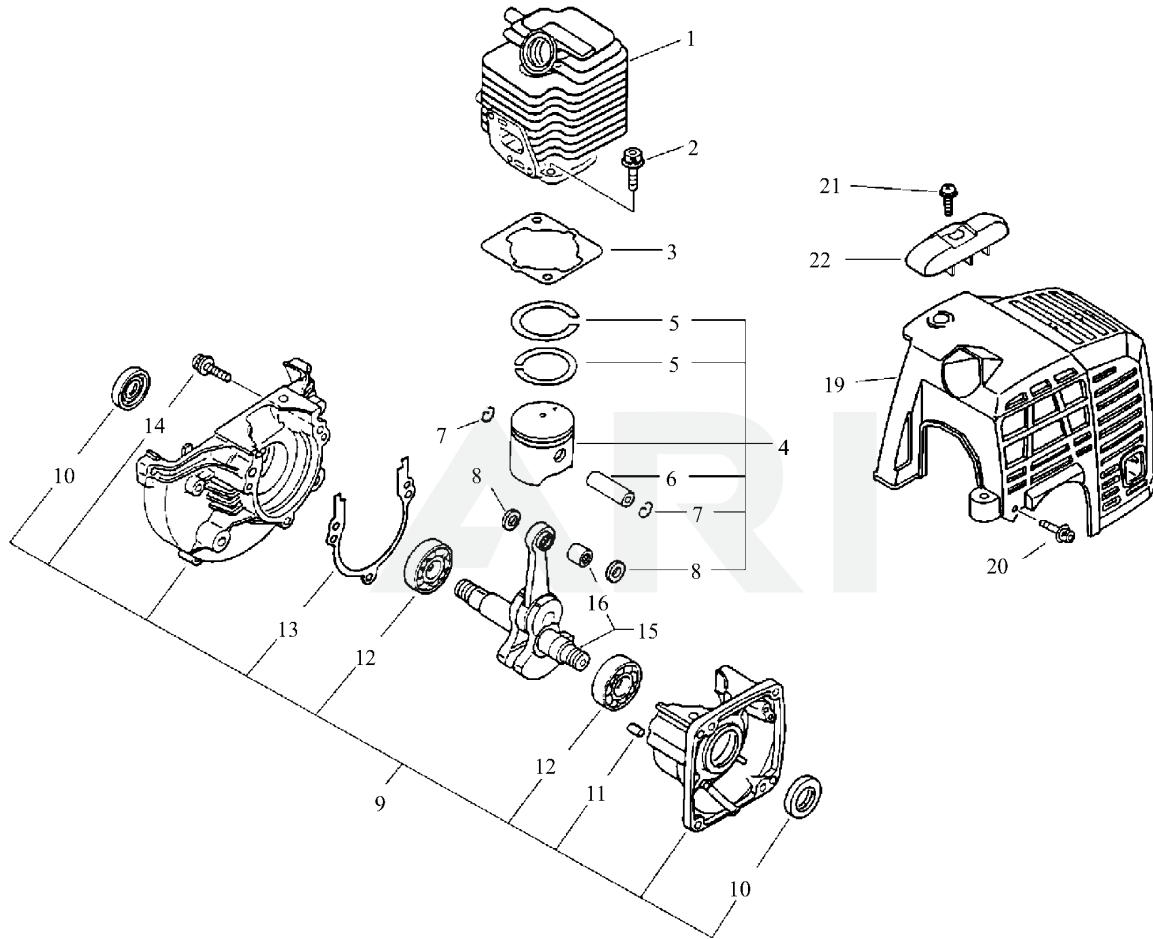


SRM-2050\_AA\_00000000

# TABLE OF CONTENTS

Cylinder, Crankcase, Piston .....	3
Fan Cover, Starter, Magneto, Clutch .....	5
AIR CLEANER, MUFFLER .....	8
U-HANDLE .....	11
CARBURETOR .....	14
Gear Case, Blade .....	17
FUEL TANK .....	20
Shield, Tools .....	22

# Cylinder, Crankcase, Piston No.1

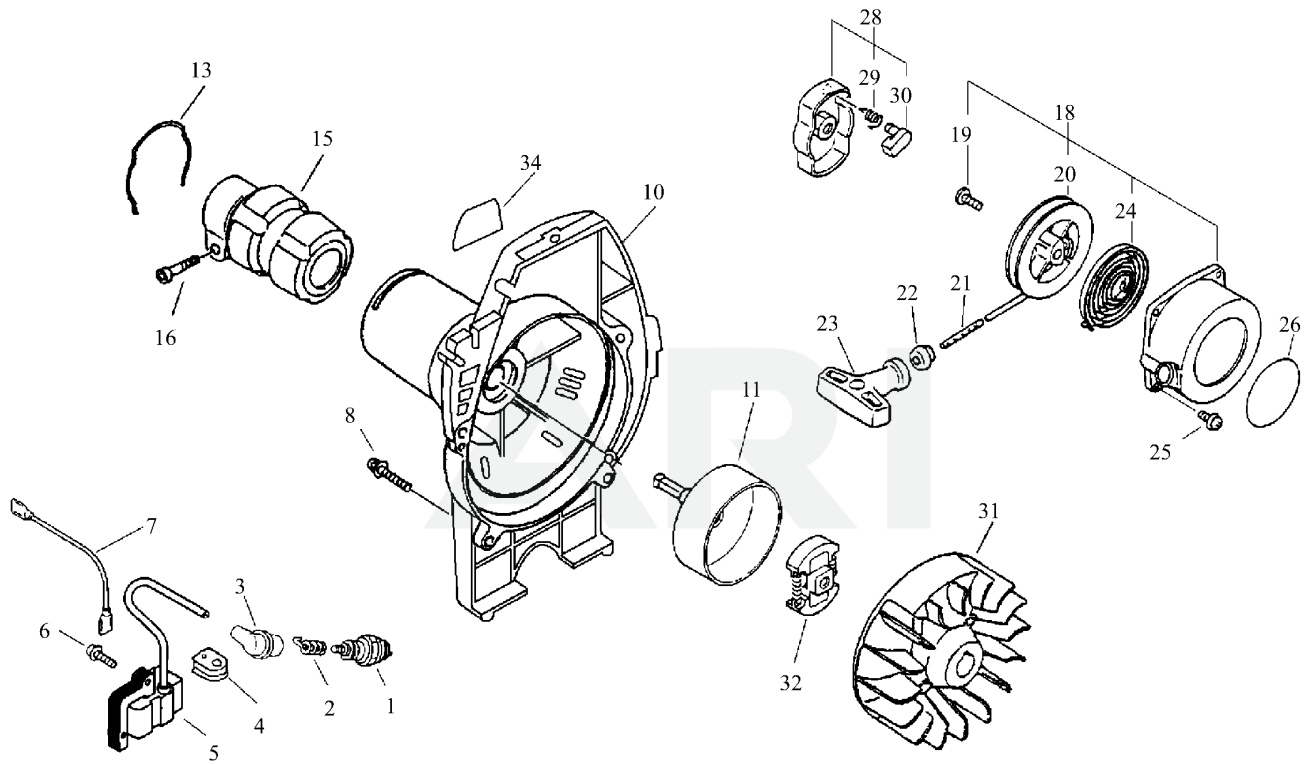


Rendered by ARI Network Services, Inc.

## Cylinder, Crankcase, Piston

<b>Ref Number</b>	<b>Part Number</b>	<b>Part Description</b>	<b>Context Notes</b>	<b>Quantity</b>
1	A130-000011	CYLINDER	CYLINDER	1
2	900162-05022	BOLT HSH	BOLT, H.S. 5*22	2
3	101010-44332	GASKET, CYL. BASE	GASKET, CYL. BASE	1
4	P021-001101	PISTON KIT	PISTON KIT	1
4	P021-001102	PISTON KIT	PISTON KIT	1
5	A101-000000	RING,PISTON	RING,PISTON	2
6	100013-11520	PIN, PISTON	PIN, PISTON	1
7	100015-04630	CIRCLIP, PISTON PIN	CIRCLIP, PISTON PIN	2
8	100014-11520	SPACER, PISTON PIN	SPACER, PISTON PIN	2
9	100204-52131	CRANKCASE KIT	CRANKCASE KIT	1
9	100204-52132	CRANKCASE KIT	CRANKCASE KIT	1
10	100212-42031	OILSEAL	OILSEAL	2
11	100215-03930	PIN, DOWEL	PIN, DOWEL	2
12	94035-36201	BEARING, BALL	BEARING BALL	2
13	100242-42030	GASKET, CRANKCASE	GASKET, CRANKCASE	1
14	900162-05028	BOLT HSH	BOLT, H.S. 5*28	3
15	A011-000001	CRANKSHAFT,ASM	CRANKSHAFT,ASM	1
15	A011-000002	CRANKSHAFT,ASM	CRANKSHAFT,ASM	1
16	V553-000010	BEARING,NEEDLE 8	BEARING,NEEDLE 8	1
19	101514-48930	COVER, CYLINDER	COVER, CYLINDER	1
20	900238-04016	SCREW	SCREW 4*16	2
21	900253-05020	SCREW, TAPPING	SCREW 5*20	1
22	A162-000060	GUARD, TOP	GUARD, TOP	1

# Fan Cover, Starter, Magneto, Clutch No.2



Rendered by ARI Network Services, Inc.

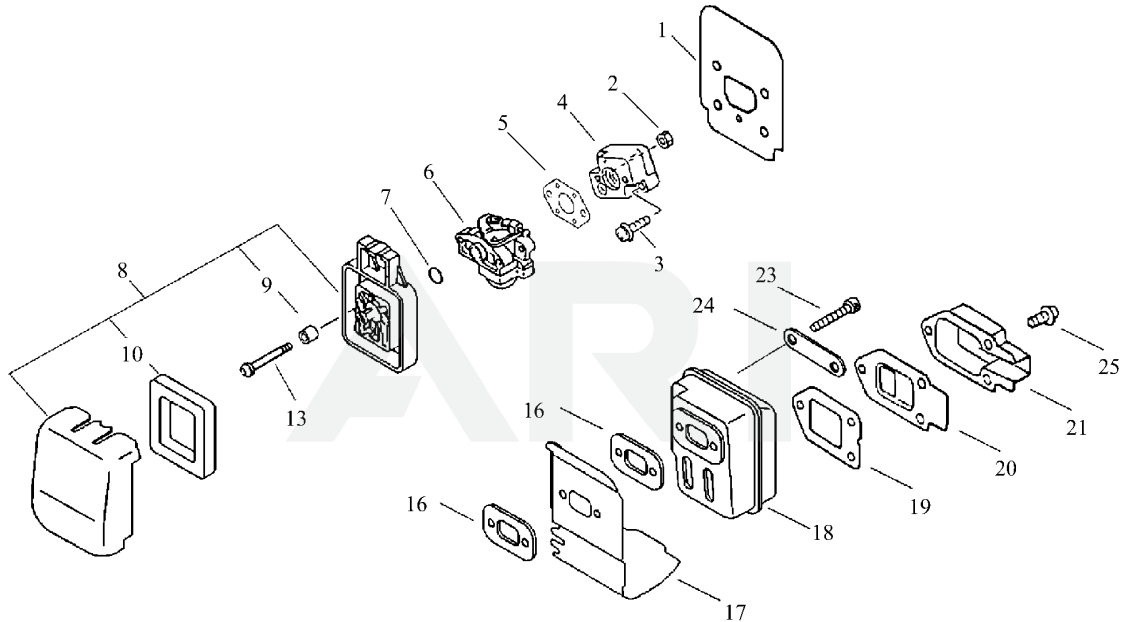
## Fan Cover, Starter, Magneto, Clutch

<b>Ref Number</b>	<b>Part Number</b>	<b>Part Description</b>	<b>Context Notes</b>	<b>Quantity</b>
1	159017-10230	PLUG, SPARK (RCJ-7Y)	PLUG, SPARK (RCJ-7Y)	1
2	159011-03432	COIL, SPARK PLUG	COIL, SPARK PLUG	1
3	159012-03433	CAP, SPARK PLUG	CAP, SPARK PLUG	1
4	156112-40630	GROMMET	GROMMET	1
5	156601-52130	COIL, IGNITION	COIL, IGNITION	1
6	900162-04022	BOLT HSH	BOLT, H.S. 4*22	2
7	162010-52830	LEAD, GROUND	LEAD, GROUND	1
8	91363-04016	SCREW	SCREW	4
10	A172-000340	COVER,FAN	COVER,FAN	1
11	175005-44331	DRUM, CLUTCH	DRUM, CLUTCH	1
13	660316-55630	CLIP	CLIP	1
15	610922-55931	HOLDER, MAIN PIPE	HOLDER, MAIN PIPE	1
16	900162-05028	BOLT HSH	BOLT, H.S. 5*28	1
18	177200-42033	STARTER ASSY	STARTER ASSY	1
19	177236-44330	SCREW	SCREW	1
20	177215-44430	DRUM, STARTER	DRUM, STARTER	1
21	177226-10120	ROPE, STARTER	ROPE, STARTER	1
22	177227-42030	GUIDE, ROPE	GUIDE, ROPE	1
23	177228-06530	GRIP, STARTER	GRIP, STARTER	1
24	177220-42030	SPRING, REWIND	SPRING, REWIND	1

<b>Ref Number</b>	<b>Part Number</b>	<b>Part Description</b>	<b>Context Notes</b>	<b>Quantity</b>
25	900238-04016	SCREW	SCREW 4*16	2
26	890118-49130	LABEL, ECHO	LABEL, ECHO	1
28	177202-44331	PAWL ASM., STARTER	PAWL ASM., STARTER	1
29	177234-42030	SPRING, RETURN	SPRING, RETURN	1
30	177218-44330	PAWL, STARTER	PAWL, STARTER	1
31	A409-000000	ROTOR,MAGNETO	ROTOR,MAGNETO	1
32	175000-56830	CLUTCH ASSY	CLUTCH ASSY	1
34	X543-000360	LABEL,MODEL	LABEL,MODEL	1

AIR CLEANER, MUFFLER

No.3



Rendered by ARI Network Services, Inc.

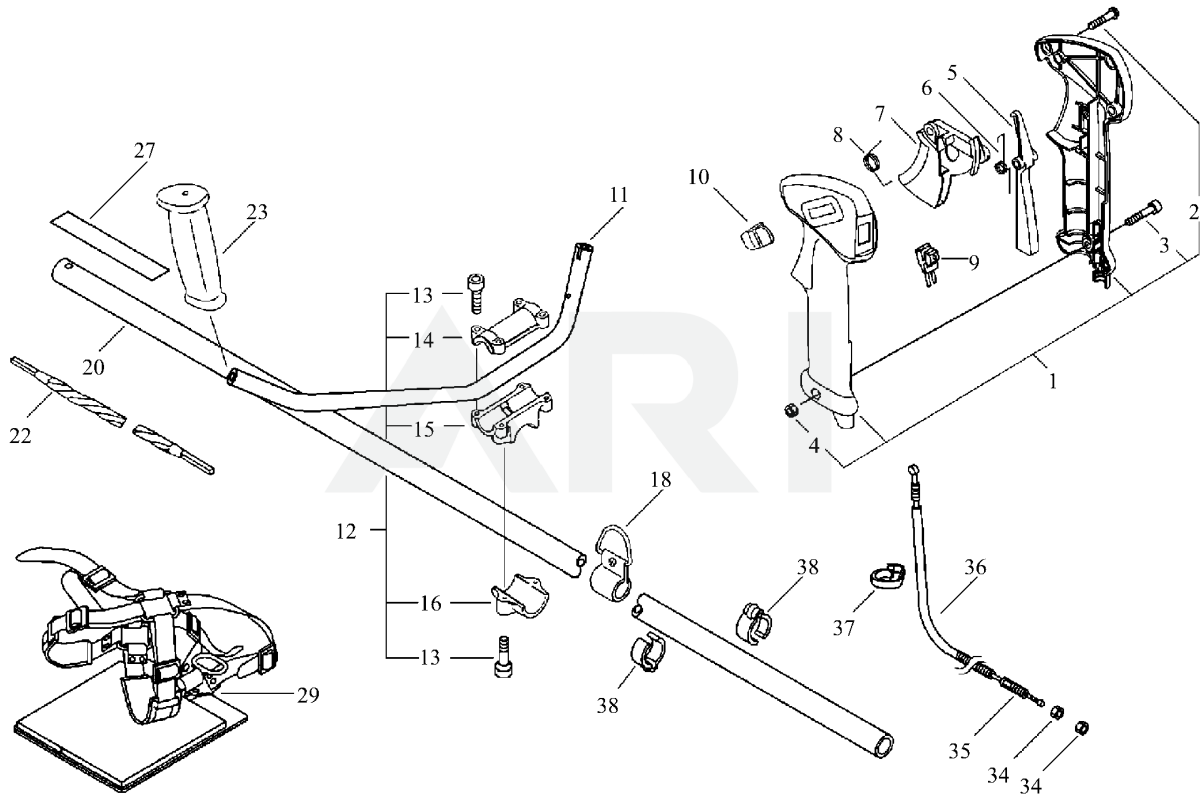


## AIR CLEANER, MUFFLER

<b>Ref Number</b>	<b>Part Number</b>	<b>Part Description</b>	<b>Context Notes</b>	<b>Quantity</b>
1	130010-42032	GASKET,INTAKE	GASKET,INTAKE	1
2	900500-00005	NUT	NUT 5	2
3	900238-05020	SCREW	SCREW 5*20	2
4	130017-44330	INSULATOR	INSULATOR	1
5	130010-13410	GASKET, INTAKE	GASKET, INTAKE	1
5	130010-44431	GASKET, INTAKE	GASKET, INTAKE	1
6	A021-000550	CARBURETOR,DIAPHRAGM	CARBURETOR,DIAPHRAGM	1
7	900720-00015	O-RING	O-RING 15	1
8	A027-000010	CLEANER,ASM AIR	CLEANER,ASM AIR	1
9	130327-44330	SLEEVE	SLEEVE	1
10	130310-44330	FILTER, AIR	FILTER, AIR	1
13	900242-05064	SCREW	SCREW 5*64	2
16	V104-000160	GASKET,EXHAUST	GASKET,EXHAUST	2
17	145631-42030	COVER, MUFFLER	COVER, MUFFLER	1
17	A320-000240	COVER,MUFFLER	COVER,MUFFLER	1
17	A320-000250	COVER,MUFFLER	COVER,MUFFLER	1
17	A320-000251	COVER,MUFFLER	COVER,MUFFLER	1
18	A300-000040	MUFFLER,EXHAUST	MUFFLER,EXHAUST	1
19	145866-42031	GASKET, MUFFLER LID	GASKET, MUFFLER LID	1

<b>Ref Number</b>	<b>Part Number</b>	<b>Part Description</b>	<b>Context Notes</b>	<b>Quantity</b>
20	145876-42030	LID, MUFFLER (B)	LID, MUFFLER (B)	1
21	145863-42030	HOLDER, SCREEN	HOLDER, SCREEN	1
23	900105-05055	BOLT HSH	BOLT, H.S. 5*55	2
24	145642-04930	WASHER	WASHER	1
25	900242-04010	SCREW	SCREW 4*10	3

# U-HANDLE No.5



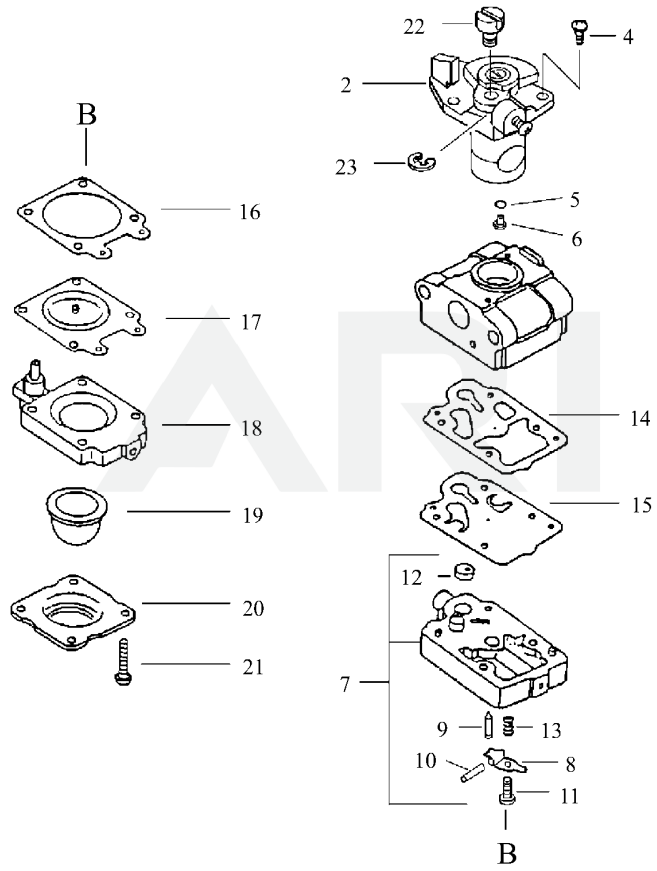
Rendered by ARI Network Services, Inc.

## U-HANDLE

<b>Ref Number</b>	<b>Part Number</b>	<b>Part Description</b>	<b>Context Notes</b>	<b>Quantity</b>
1	P021-002611	GRIP ASY,F-HANDLE	GRIP ASY,F-HANDLE	1
1	P021-002612	GRIP ASY,F-HANDLE	GRIP ASY,F-HANDLE	1
2	900253-04016	SCREW, TAPPING	SCREW 4*16	3
3	900220-05030	SCREW	SCREW 5*30	1
4	900500-00005	NUT	NUT 5	1
5	C460-000011	LOCKOUT,THROTTLE	LOCKOUT,THROTTLE	1
6	V452-000130	SPRING,TORSION	SPRING,TORSION	1
7	C450-000022	TRIGGER,THROTTLE	TRIGGER,THROTTLE	1
8	V452-000060	SPRING,TORSION	SPRING,TORSION	1
9	163401-49230	SWITCH, IGNITION	SWITCH, IGNITION	1
10	C463-000000	KNOB,LATCH	KNOB,LATCH	1
11	C400-000210	HANDLE,FRONT	HANDLE,FRONT	1
11	C400-000211	HANDLE,FRONT	HANDLE,FRONT	1
12	351301-22333	BRACKET ASY, HANDLE	BRACKET ASY, HANDLE	1
13	900162-05025	BOLT HSH	BOLT, H.S. 5*25	6
14	351313-22332	BRACKET, HANDLE (U)	BRACKET, HANDLE (U)	1
15	351312-22331	BRACKET, HANDLE (C)	BRACKET, HANDLE (C)	1
16	351314-22332	BRACKET, HANDLE (L)	BRACKET, HANDLE (L)	1
18	301200-46830	HOOK, LIFTING	HOOK, LIFTING	1
20	610206-44730	HOUSING ASSY, D.SHFT	HOUSING ASSY, D.SHFT	1
22	610013-44730	SHAFT, FLEXIBLE	SHAFT, FLEXIBLE	1
23	C403-000030	GRIP,HANDLE	GRIP,HANDLE	1
23	C403-000031	GRIP,HANDLE	GRIP,HANDLE	1

<b>Ref Number</b>	<b>Part Number</b>	<b>Part Description</b>	<b>Context Notes</b>	<b>Quantity</b>
27	890617-43130	LABEL,CAUTION	LABEL,CAUTION	1
29	301001-44730	HARNESS ASSY	HARNESS ASSY	1
29	301001-44731	HARNESS, SHOULDER	HARNESS, SHOULDER	1
34	900502-00006	NUT	NUT 6 (3N)	2
35	V430-000410	CABLE,BOWDEN	CABLE,BOWDEN	1
36	178127-47530	TUBE	TUBE	1
37	159112-09960	CLIP	CLIP	1
37	159112-09961	CLIP	CLIP	1
38	224924-52130	CLIP	CLIP	2

# CARBURETOR No.8



Rendered by ARI Network Services, Inc.

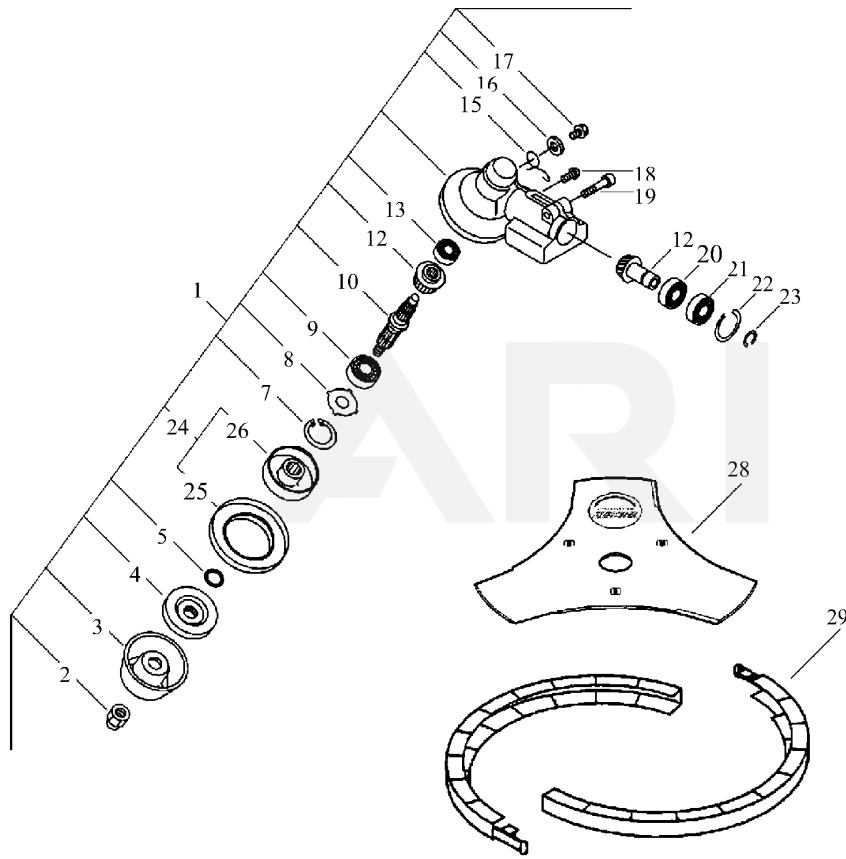
## CARBURETOR

<b>Ref Number</b>	<b>Part Number</b>	<b>Part Description</b>	<b>Context Notes</b>	<b>Quantity</b>
	A021-000550	CARBURETOR,DIAPHRAGM	CARBURETOR,DIAPHRAGM	1
2	P003-000840	VALVE ASY THROTTLE	VALVE ASY THROTTLE	1
4	123114-44330	SCREW	SCREW	2
5	123183-40630	O-RING	O-RING	1
6	123184-44330	JET #37	JET #37	1
7	123179-05560	BODY ASSY, PUMP	BODY ASSY, PUMP	1
8	123123-03930	LEVER, METERING	LEVER, METERING	1
9	123137-19830	VALVE, INLET NEEDLE	VALVE, INLET NEEDLE	1
10	123138-03930	PIN, METERING LEVER	PIN, METERING LEVER	1
11	123139-05560	SCREW, M. LEVER PIN	SCREW, M. LEVER PIN	1
12	123126-10631	SCREEN, INLET	SCREEN, INLET	1
13	123122-05560	SPRING, METER. LEVER	SPRING, METER. LEVER	1
14	123125-40630	GASKET, PUMP	GASKET, PUMP	1
15	123112-40630	DIAPHRAGM, PUMP	DIAPHRAGM, PUMP	1
16	123140-05560	GASKET, M. DIAPHRAGM	GASKET, M. DIAPHRAGM	1
17	P003-000090	METERING, DIAPHRAGM	METERING, DIAPHRAGM	1
18	123180-05560	BODY, AIR PURGE	BODY, AIR PURGE	1
19	123181-40630	PUMP, PRIMER	PUMP, PRIMER	1
20	123142-05560	COVER, PRIMER PUMP	COVER, PRIMER PUMP	1

<b>Ref Number</b>	<b>Part Number</b>	<b>Part Description</b>	<b>Context Notes</b>	<b>Quantity</b>
21	123110-05560	SCREW, PUMP COVER	SCREW, PUMP COVER	4
22	123172-45130	SWIVEL	SWIVEL	1
23	123173-07930	CLIP	CLIP	1



# Gear Case, Blade No.6



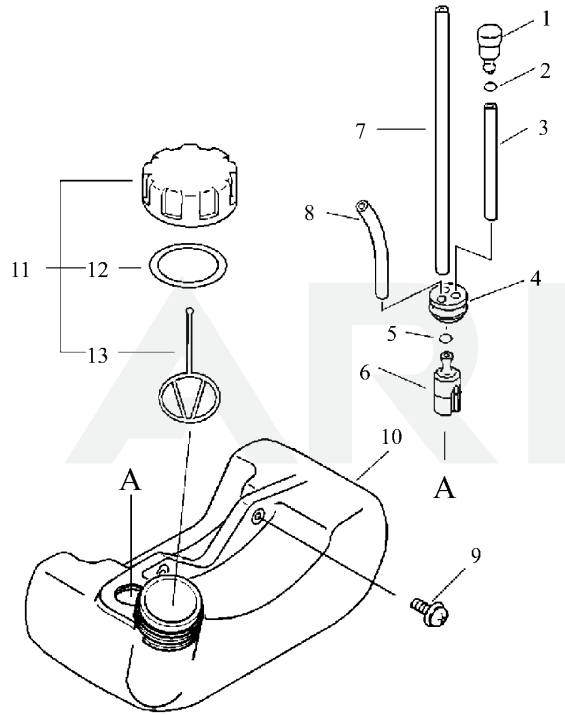
Rendered by ARI Network Services, Inc.

## Gear Case, Blade

Ref Number	Part Number	Part Description	Context Notes	Quantity
1	P021-005780	HOUSING ASY,GEAR	HOUSING ASY,GEAR	1
1	P021-005781	HOUSING ASY,GEAR	HOUSING ASY,GEAR	1
2	610320-52130	NUT 10	NUT 10	1
3	699229-56830	PLATE, COVER	PLATE, COVER	1
4	610314-52130	PLATE, ADAPTER (L)	PLATE, ADAPTER (L)	1
5	900720-00012	O-RING	O-RING 12	1
7	900702-00032	RETAINING RING	CIRCLIP 32	1
8	610444-56830	WASHER	WASHER	1
9	900812-06201	BEARING, BALL	BEARING, BALL 6201	1
10	610310-56830	SHAFT, P.T.O.	SHAFT, P.T.O.	1
12	610300-42330	GEAR SET	GEAR SET	1
13	900810-00626	BEARING, BALL	BEARING, BALL 626	1
15	610473-52131	SPRING	SPRING	1
16	900603-50008	WASHER	WASHER	1
17	610434-50031	BOLT 8* 8	BOLT 8* 8	1
18	900242-05010	SCREW	SCREW 5*10	1
19	900162-06025	BOLT, H.S. 6*25	BOLT, H.S. 6*25	1
20	900855-06900	BEARING, BALL	BEARING, BALL 6900	1
21	900858-06900	BEARING, BALL	BEARING, BALL 6900Z	1
22	900702-00022	RETAINING RING	CIRCLIP 22	1
23	900706-00010	RETAINING RING	CIRCLIP 10	1
24	C535-000000	FIXTURE,BLADE	FIXTURE,BLADE	1
24	C535-000001	FIXTURE,BLADE	FIXTURE,BLADE	1
25	610352-56830	PLATE, CUP	PLATE, CUP	1
26	C535-000010	FIXTURE,BLADE	FIXTURE,BLADE	1
26	C535-000011	FIXTURE,BLADE	FIXTURE,BLADE	1
28	X405-000010	SAW,BUSH CUTTER	SAW,BUSH CUTTER	1
28	X405-000011	SAW,BUSH CUTTER	SAW,BUSH CUTTER	1
29	898523-47130	SCABBARD,BLADE	SCABBARD,BLADE	1

<b>Ref Number</b>	<b>Part Number</b>	<b>Part Description</b>	<b>Context Notes</b>	<b>Quantity</b>
29	P021-007470	SCABBARD,BLADE	SCABBARD,BLADE	1

# FUEL TANK No.4

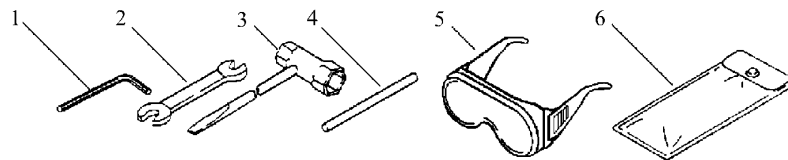
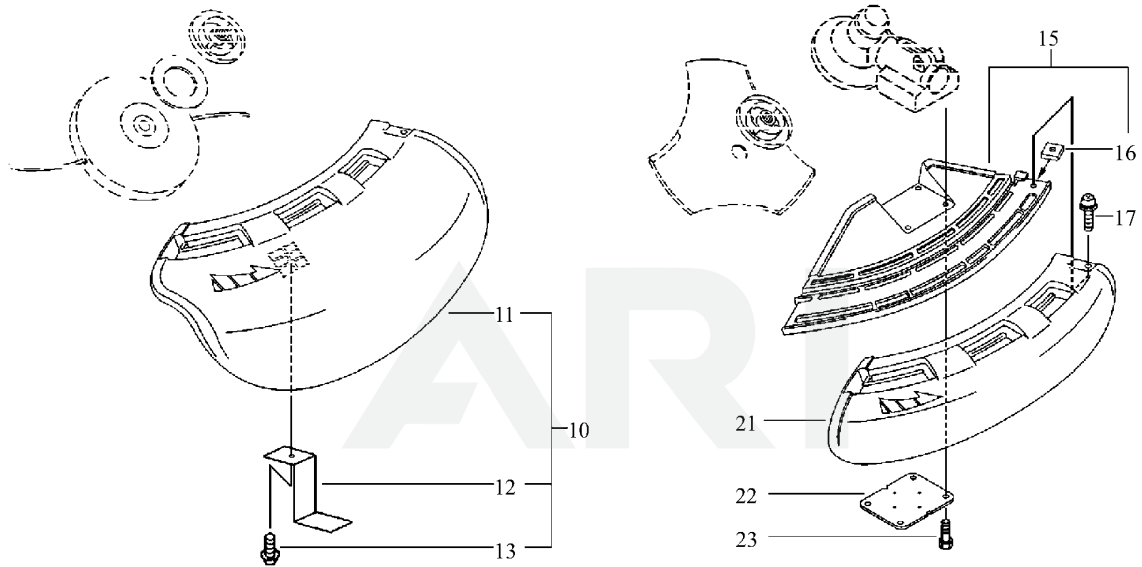


Rendered by ARI Network Services, Inc.

## FUEL TANK

<b>Ref Number</b>	<b>Part Number</b>	<b>Part Description</b>	<b>Context Notes</b>	<b>Quantity</b>
1	131300-56430	VALVE, CHECK	VALVE, CHECK	1
2	130111-00530	CLIP	CLIP	1
3	131312-44330	PIPE, 3*5*70L	PIPE, 3*5*70L	1
3	V471-001200	PIPE	PIPE	1
4	132115-46730	GROMMET, FUEL	GROMMET, FUEL	1
5	132013-09820	CLIP	CLIP	1
6	131205-07320	STRAINER, FUEL	STRAINER, FUEL	1
7	132010-13930	PIPE, FUEL	PIPE, FUEL	1
7	V471-001190	PIPE	PIPE	1
8	132717-50430	PIPE 3* 6* 70	PIPE 3* 6* 70	1
9	900243-05016	SCREW	SCREW 5*16	2
10	A350-000031	TANK,FUEL	TANK,FUEL	1
11	131004-55530	CAP ASSY, FUEL TANK	CAP ASSY, FUEL TANK	1
12	131016-55830	GASKET, FUEL CAP	GASKET, FUEL CAP	1
13	131051-56030	CLIP, FUEL CAP	CLIP, FUEL CAP	1

Shield, Tools  
**No.7**



Rendered by ARI Network Services, Inc.

## Shield, Tools

<b>Ref Number</b>	<b>Part Number</b>	<b>Part Description</b>	<b>Context Notes</b>	<b>Quantity</b>
1	895610-00130	L-WRENCH (4MM)	L-WRENCH (4MM)	1
2	895112-00330	SPANNER 8*10	SPANNER 8*10	1
3	X602-000020	TOOL,WRENCH	TOOL,WRENCH	1
4	X606-000080	TOOL,BAR	TOOL,BAR	1
5	899580-68730	SAFETY GLASSES	SAFETY GLASSES	1
5	P021-002861	GOGGLES	GOGGLES	1
6	898510-05530	BAG, TOOL	BAG, TOOL	1
6	898510-07130	BAG, TOOL	BAG, TOOL	1
10	P021-002620	SHIELD,BLADE(W/KNIFE	SHIELD,BLADE(W/KNIFE	1
11	C550-000080	SHIELD,BLADE	SHIELD,BLADE	1
12	C554-000000	KNIFE,CORD	KNIFE,CORD	1
13	900252-05012	SCREW, TAPPING	SCREW 5*12	1
15	C550-000100	SHIELD,BLADE	SHIELD,BLADE	1
16	900565-00005	NUT, SQUARE	NUT	1
17	900242-05018	SCREW	SCREW 5*18	1
21	C550-000090	SHIELD,BLADE	SHIELD,BLADE	1
22	699013-56830	PLATE, SHIELD	PLATE, SHIELD	1
23	900162-05025	BOLT HSH	BOLT, H.S. 5*25	4